



 **BOSCH**

GDR | GDS Professional

120-LI

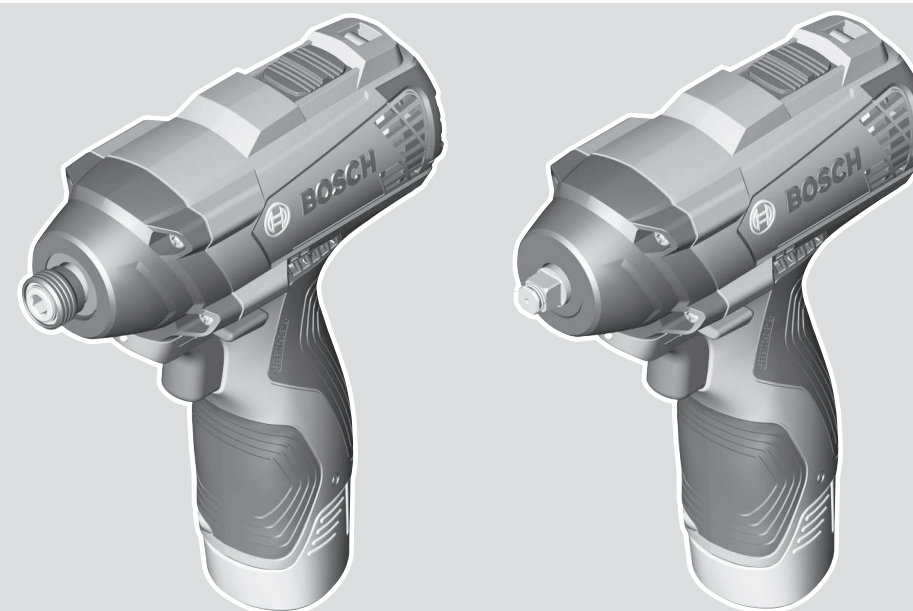
Robert Bosch Power Tools GmbH
70538 Stuttgart
GERMANY

www.bosch-pt.com

1 609 92A 943 (2023.09) 0 / 75



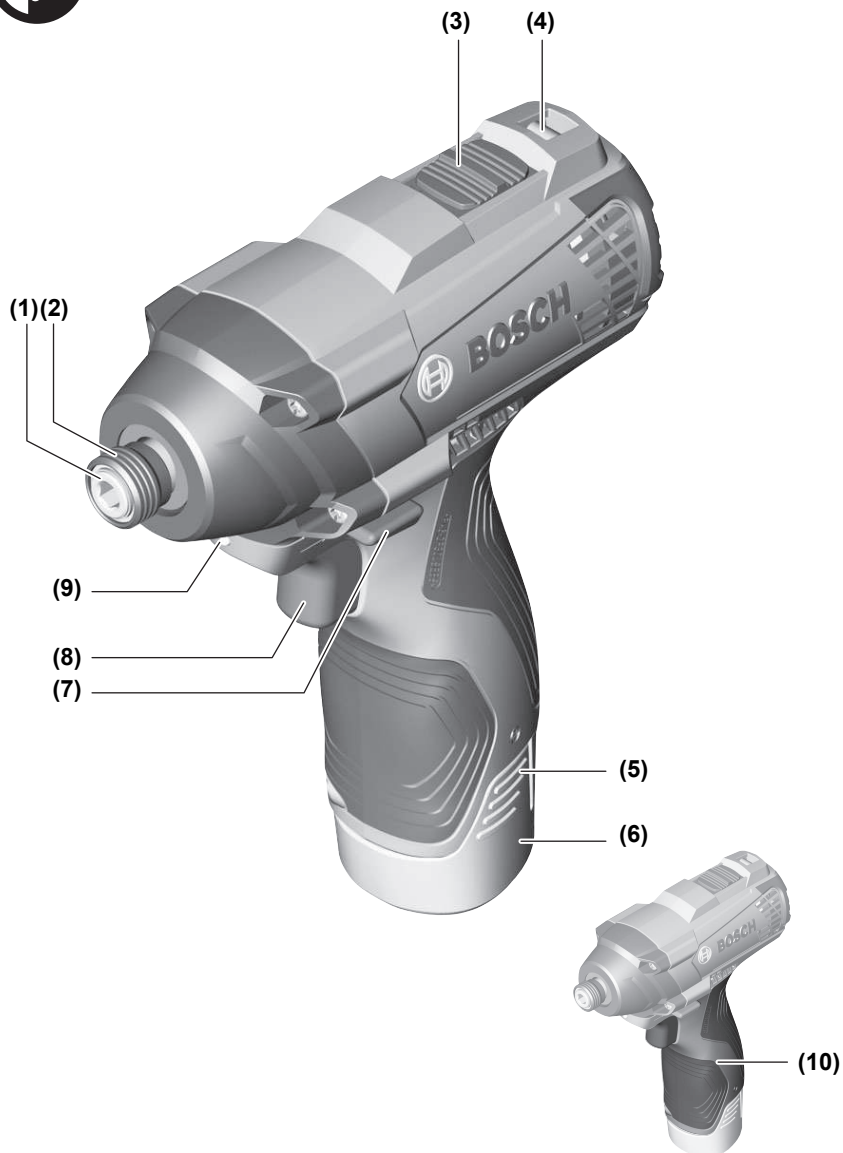
1 609 92A 943

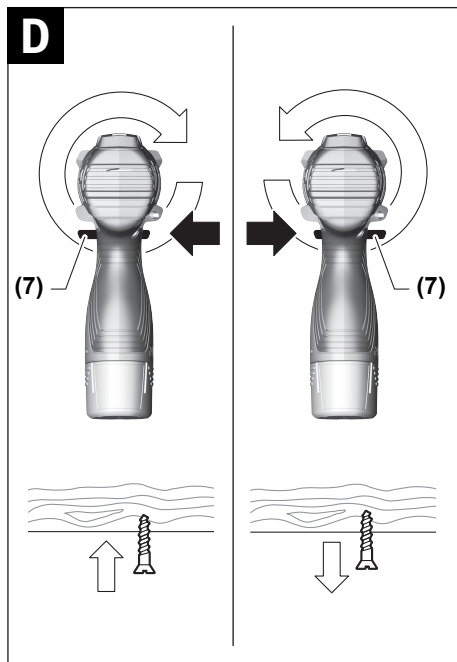
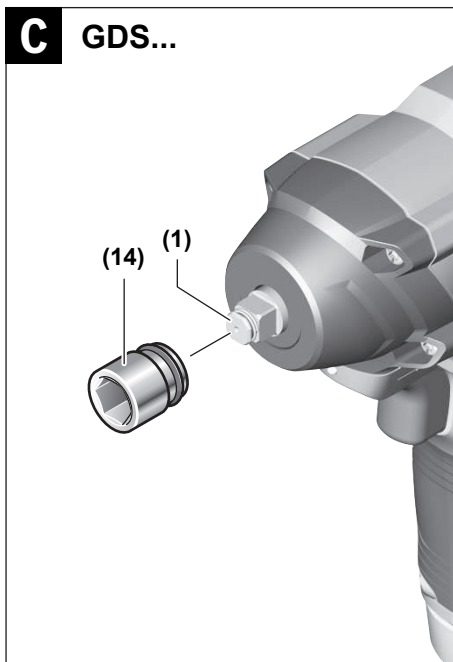
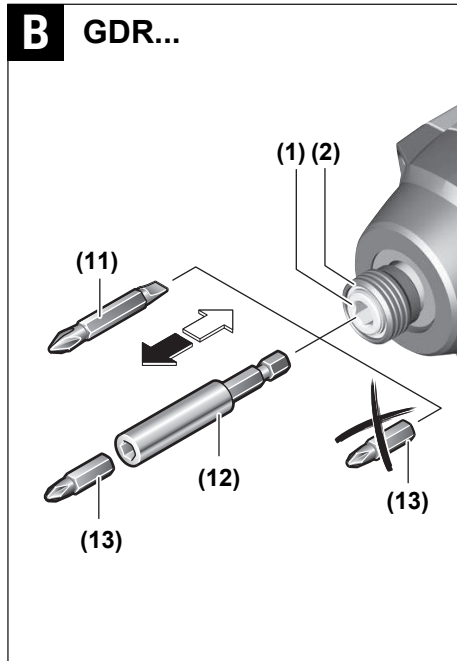
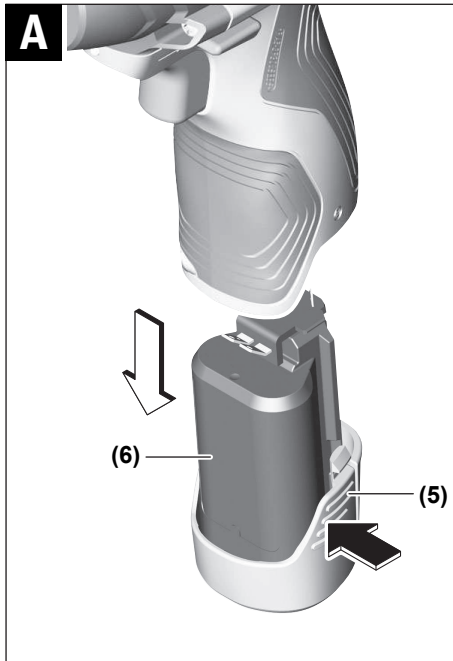


- en Original instructions
- fr Notice originale
- pt Manual original
- es Manual original
- pt Manual de instruções original
- zh 正本使用说明书
- zh 原始使用說明書
- th หนังสือคู่มือการใช้งานฉบับต้นแบบ
- id Petunjuk-Petunjuk untuk Penggunaan Orisinal
- vi Bản gốc hướng dẫn sử dụng
- ar دليل التشغيل الأصلي
- fa دفترچه راهنمای اصلی



English	Page	5
Français	Page	10
Português	Página	16
Español	Página	23
Português do Brasil	Página	29
中文	頁	35
繁體中文	頁	40
ไทย	หน้า	44
Bahasa Indonesia	Halaman	50
Tiếng Việt	Trang	56
عربي	الصفحة	63
فارسی	صفحه	69

**GDR 120-LI**



English

Safety Instructions

General Power Tool Safety Warnings

⚠ WARNING Read all safety warnings, instructions, illustrations and specifications provided with this power tool. Failure to follow all instructions listed below may result in electric shock, fire and/or serious injury.

Save all warnings and instructions for future reference.

The term "power tool" in the warnings refers to your mains-operated (corded) power tool or battery-operated (cordless) power tool.

Work area safety

- ▶ **Keep work area clean and well lit.** Cluttered or dark areas invite accidents.
- ▶ **Do not operate power tools in explosive atmospheres, such as in the presence of flammable liquids, gases or dust.** Power tools create sparks which may ignite the dust or fumes.
- ▶ **Keep children and bystanders away while operating a power tool.** Distractions can cause you to lose control.

Electrical safety

- ▶ **Power tool plugs must match the outlet. Never modify the plug in any way. Do not use any adapter plugs with earthed (grounded) power tools.** Unmodified plugs and matching outlets will reduce risk of electric shock.
- ▶ **Avoid body contact with earthed or grounded surfaces, such as pipes, radiators, ranges and refrigerators.** There is an increased risk of electric shock if your body is earthed or grounded.
- ▶ **Do not expose power tools to rain or wet conditions.** Water entering a power tool will increase the risk of electric shock.
- ▶ **Do not abuse the cord. Never use the cord for carrying, pulling or unplugging the power tool. Keep cord away from heat, oil, sharp edges or moving parts.** Damaged or entangled cords increase the risk of electric shock.
- ▶ **When operating a power tool outdoors, use an extension cord suitable for outdoor use.** Use of a cord suitable for outdoor use reduces the risk of electric shock.
- ▶ **If operating a power tool in a damp location is unavoidable, use a residual current device (RCD) protected supply.** Use of an RCD reduces the risk of electric shock.

Personal safety

- ▶ **Stay alert, watch what you are doing and use common sense when operating a power tool. Do not use a power tool while you are tired or under the influence of drugs, alcohol or medication.** A moment of inatten-

tion while operating power tools may result in serious personal injury.

- ▶ **Use personal protective equipment. Always wear eye protection.** Protective equipment such as a dust mask, non-skid safety shoes, hard hat or hearing protection used for appropriate conditions will reduce personal injuries.
- ▶ **Prevent unintentional starting. Ensure the switch is in the off-position before connecting to power source and/or battery pack, picking up or carrying the tool.** Carrying power tools with your finger on the switch or energising power tools that have the switch on invites accidents.
- ▶ **Remove any adjusting key or wrench before turning the power tool on.** A wrench or a key left attached to a rotating part of the power tool may result in personal injury.
- ▶ **Do not overreach. Keep proper footing and balance at all times.** This enables better control of the power tool in unexpected situations.
- ▶ **Dress properly. Do not wear loose clothing or jewellery. Keep your hair and clothing away from moving parts.** Loose clothes, jewellery or long hair can be caught in moving parts.
- ▶ **If devices are provided for the connection of dust extraction and collection facilities, ensure these are connected and properly used.** Use of dust collection can reduce dust-related hazards.
- ▶ **Do not let familiarity gained from frequent use of tools allow you to become complacent and ignore tool safety principles.** A careless action can cause severe injury within a fraction of a second.

Power tool use and care

- ▶ **Do not force the power tool. Use the correct power tool for your application.** The correct power tool will do the job better and safer at the rate for which it was designed.
- ▶ **Do not use the power tool if the switch does not turn it on and off.** Any power tool that cannot be controlled with the switch is dangerous and must be repaired.
- ▶ **Disconnect the plug from the power source and/or remove the battery pack, if detachable, from the power tool before making any adjustments, changing accessories, or storing power tools.** Such preventive safety measures reduce the risk of starting the power tool accidentally.
- ▶ **Store idle power tools out of the reach of children and do not allow persons unfamiliar with the power tool or these instructions to operate the power tool.** Power tools are dangerous in the hands of untrained users.
- ▶ **Maintain power tools and accessories. Check for misalignment or binding of moving parts, breakage of parts and any other condition that may affect the power tool's operation. If damaged, have the power tool repaired before use.** Many accidents are caused by poorly maintained power tools.

- ▶ **Keep cutting tools sharp and clean.** Properly maintained cutting tools with sharp cutting edges are less likely to bind and are easier to control.
- ▶ **Use the power tool, accessories and tool bits etc. in accordance with these instructions, taking into account the working conditions and the work to be performed.** Use of the power tool for operations different from those intended could result in a hazardous situation.
- ▶ **Keep handles and grasping surfaces dry, clean and free from oil and grease.** Slippery handles and grasping surfaces do not allow for safe handling and control of the tool in unexpected situations.

Battery tool use and care

- ▶ **Recharge only with the charger specified by the manufacturer.** A charger that is suitable for one type of battery pack may create a risk of fire when used with another battery pack.
- ▶ **Use power tools only with specifically designated battery packs.** Use of any other battery packs may create a risk of injury and fire.
- ▶ **When battery pack is not in use, keep it away from other metal objects, like paper clips, coins, keys, nails, screws or other small metal objects, that can make a connection from one terminal to another.** Shorting the battery terminals together may cause burns or a fire.
- ▶ **Under abusive conditions, liquid may be ejected from the battery; avoid contact. If contact accidentally occurs, flush with water. If liquid contacts eyes, additionally seek medical help.** Liquid ejected from the battery may cause irritation or burns.
- ▶ **Do not use a battery pack or tool that is damaged or modified.** Damaged or modified batteries may exhibit unpredictable behaviour resulting in fire, explosion or risk of injury.
- ▶ **Do not expose a battery pack or tool to fire or excessive temperature.** Exposure to fire or temperature above 130 °C may cause explosion.
- ▶ **Follow all charging instructions and do not charge the battery pack or tool outside the temperature range specified in the instructions.** Charging improperly or at temperatures outside the specified range may damage the battery and increase the risk of fire.

Service

- ▶ **Have your power tool serviced by a qualified repair person using only identical replacement parts.** This will ensure that the safety of the power tool is maintained.
- ▶ **Never service damaged battery packs.** Service of battery packs should only be performed by the manufacturer or authorized service providers.

Safety Warnings for Impact Wrenches

- ▶ **Hold the power tool by insulated gripping surfaces, when performing an operation where the fastener may contact hidden wiring.** Fasteners contacting a "live"

wire may make exposed metal parts of the power tool "live" and could give the operator an electric shock.

- ▶ **Use suitable detectors to determine if there are hidden supply lines or contact the local utility company for assistance.** Contact with electric cables can cause fire and electric shock. Damaging gas lines can lead to explosion. Breaking water pipes causes property damage.
- ▶ **Hold the power tool securely.** When tightening and loosening screws be prepared for temporarily high torque reactions.
- ▶ **Secure the workpiece.** A workpiece clamped with clamping devices or in a vice is held more secure than by hand.
- ▶ **Always wait until the power tool has come to a complete stop before placing it down.** The application tool can jam and cause you to lose control of the power tool.
- ▶ **In case of damage and improper use of the battery, vapours may be emitted. The battery can set alight or explode.** Ensure the area is well ventilated and seek medical attention should you experience any adverse effects. The vapours may irritate the respiratory system.
- ▶ **Do not open the battery.** There is a risk of short-circuiting.
- ▶ **The battery can be damaged by pointed objects such as nails or screwdrivers or by force applied externally.** An internal short circuit may occur, causing the battery to burn, smoke, explode or overheat.
- ▶ **Only use the battery in the manufacturer's products.** This is the only way in which you can protect the battery against dangerous overload.



Protect the battery against heat, e.g. against continuous intense sunlight, fire, dirt, water and moisture. There is a risk of explosion and short-circuiting.



Product Description and Specifications



Read all the safety and general instructions.

Failure to observe the safety and general instructions may result in electric shock, fire and/or serious injury.

Please observe the illustrations at the beginning of this operating manual.

Intended Use

The machine is intended for driving in and loosening screws and bolts as well as for tightening and loosening nuts within the respective range of dimension.

Product features

The numbering of the product features refers to the diagram of the power tool on the graphics page.

- (1) Tool holder
- (2) Locking sleeve

- (3) Gear selector switch
 - (4) Carrying strap lug
 - (5) Battery release button
 - (6) Battery
 - (7) Rotational direction switch
 - (8) On/off switch
 - (9) "PowerLight" lamp
 - (10) Handle (insulated gripping surface)
 - (11) Double bit^{a)}
 - (12) Universal bit holder^{a)}
 - (13) Screwdriver bit^{a)}
 - (14) Application tool (e.g. impact socket)^{a)}
- a) **Accessories shown or described are not included with the product as standard. You can find the complete selection of accessories in our accessories range.**

Technical data

Cordless Impact Wrench		GDR 120-LI	GDS 120-LI
Article number		3 601 JF0 0..	3 601 JF0 1..
Rated voltage	V=	12	12
No-load speed ^{A)}			
– Setting 1	min ⁻¹	0–1300	0–1300
– Setting 2	min ⁻¹	0–2600	0–2600
Impact rate ^{A)}			
– Setting 1	min ⁻¹	0–1500	0–1500
– Setting 2	min ⁻¹	0–2700	0–2700
Max. torque ^{A)} , hard screwdriving application according to ISO 5393	Nm	100	105
Machine screw diameter	mm	M4–M12	M4–M12
Max. screw diameter	mm	8	8
Tool holder		¼" internal hexagon	■ 3/8"
Weight according to EPTA-Procedure 01:2014	kg	1.1	1.1
Recommended ambient temperature during charging	°C	0 to +35	0 to +35
Permitted ambient temperature during operation ^{B)} and during storage	°C	–20 to +50	–20 to +50
Recommended rechargeable batteries		GBA 12V ...	GBA 12V ...
Recommended battery chargers		GAL 12 ... GAX 18 ...	GAL 12 ... GAX 18 ...

A) Measured at 20–25 °C with rechargeable battery **GBA 12V 2.0 Ah**.

B) Limited performance at temperatures < 0 °C

Values can vary depending upon the product and are subject to application and environmental conditions. For further information www.bosch-professional.com/wac.

Noise/vibration information

Noise emission values determined according to **EN 62841-2-2**.

Typically, the A-weighted noise level of the power tool is: Sound pressure level **92** dB(A); sound power level **103** dB(A). Uncertainty K = **3** dB.

Wear hearing protection!

Vibration total values a_h (triax vector sum) and uncertainty K determined according to **EN 62841-2-2**:

Tightening screws and nuts of the maximum permitted size: $a_h = 9.5$ m/s², K = **1.5** m/s²

The vibration level and noise emission value given in these instructions have been measured in accordance with a

standardised measuring procedure and may be used to compare power tools. They may also be used for a preliminary estimation of vibration and noise emissions.

The stated vibration level and noise emission value represent the main applications of the power tool. However, if the power tool is used for other applications, with different accessories or is poorly maintained, the vibration level and noise emission value may differ. This may significantly increase the vibration and noise emissions over the total working period.

To estimate vibration and noise emissions accurately, the times when the tool is switched off or when it is running but not actually being used should also be taken into account.

This may significantly reduce vibration and noise emissions over the total working period.

Implement additional safety measures to protect the operator from the effects of vibration, such as servicing the power tool and accessories, keeping their hands warm, and organising workflows correctly.

Assembly

- ▶ **Remove the battery from the power tool before carrying out work on the power tool (e.g. maintenance, changing tool, etc.). The battery should also be removed for transport and storage.** There is risk of injury from unintentionally pressing the on/off switch.

Battery Charging

- ▶ **Use only the chargers listed in the technical data.** Only these chargers are matched to the lithium-ion battery of your power tool.

Note: The battery is supplied partially charged. To ensure full battery capacity, fully charge the battery in the charger before using your power tool for the first time.

The lithium-ion battery can be charged at any time without reducing its service life. Interrupting the charging process does not damage the battery.

The lithium-ion battery is protected against deep discharge by the "Electronic Cell Protection (ECP)". When the battery is discharged, the power tool is switched off by means of a protective circuit: The accessory no longer rotates.

- ▶ **Do not continue to press the On/Off switch after the power tool has automatically switched off.** The battery can be damaged.

Removing the battery (see figure A)

To remove the battery (6), press the release button (5) and pull the battery downwards out of the power tool. **Do not use force to do this.**

Changing the Tool

- ▶ **Remove the battery from the power tool before carrying out work on the power tool (e.g. maintenance, changing tool, etc.). The battery should also be removed for transport and storage.** There is risk of injury from unintentionally pressing the on/off switch.

GDR 120-LI:

Inserting the application tool (see figure B)

Pull the locking sleeve (2) forward, guide the application tool into the tool holder (1) up to the stop and release the locking sleeve (2) to lock the application tool.

Screwdriver bits (13) can be inserted using a universal bit holder with ball catch (12).

Removing

Pull the locking sleeve (2) forward and remove the application tool.

GDS 120-LI: (see figure C)

- ▶ **When working with an application tool, pay attention that the application tool is connected securely to the tool holder.** When the application tool is not securely connected with the tool holder, it can come off during application.

Slide the application tool (14) onto the square drive of the tool holder (1).

Due to the way the system operates, the application tool (14) will move around slightly in the tool holder(1); this has no influence on the function/safety.

Operation

Method of Operation

The tool holder (1) (with the application tool) is driven by an electric motor via a gear and impact mechanism.

The working procedure is divided into two phases:

Screwing in and **tightening** (impact mechanism in action).

The impact mechanism is activated as soon as the screwed connection runs tight and load is therefore put on the motor. The impact mechanism then converts the power of the motor to steady rotary impacts. When loosening screws or nuts, the process is reversed.

Starting Operation

Inserting the Battery

Set the rotational direction switch (7) to the middle position to avoid unintentionally switching it on. Insert the charged battery (6) into the handle until you feel it engage and it is flush with the handle.

Set the rotational direction (see figure D)

The rotational direction switch (7) is used to change the rotational direction of the power tool. However, this is not possible while the on/off switch (8) is being pressed.

Right rotation: To drive in screws and tighten nuts, press the rotational direction switch (7) through to the left stop.

Left Rotation: To loosen and unscrew screws and nuts, press the rotational direction switch (7) through to the right stop.

Mechanical gear selection

- ▶ **Only operate the gear selector (3) when the power tool is not in use.**

You can preselect two speed ranges with the gear selector (3).

Gear I:

Low speed range; for screwdriving or working with a large drilling diameter.

Gear II:

High speed range; for working with a small drilling diameter.

If the gear selector (3) cannot be swivelled all the way to the stop, turn the drive spindle slightly with the drill.

Switching on/off

To **start** the power tool, press and hold the on/off switch **(8)**.

The lamp **(9)** lights up when the on/off switch **(8)** is lightly or fully pressed, meaning that the work area is illuminated in poor lighting conditions.

To **switch off** the power tool, release the on/off switch **(8)**.

Adjusting the speed

You can adjust the speed of the power tool when it is on by pressing in the on/off switch **(8)** to varying extents.

A light pressure on the on/off switch **(8)** results in a low rotational speed. Increased pressure on the switch causes an increase in speed.

Temperature-dependent overload protection

In normal conditions of use, the power tool cannot be overloaded. If the power tool is overloaded or the permitted battery temperature is exceeded, the electronics of the power tool will switch off until the temperature returns to within the optimum operating temperature range.

Practical advice

► **Only apply the power tool to the screw/nut when the tool is switched off.** Rotating tool inserts can slip off.

The torque depends on the impact duration. The maximum achieved torque results from the sum of all individual torques achieved through impact. Maximum torque is achieved after an impact duration of 6–10 seconds. After this duration, the tightening torque is increased only minimally.

The impact duration is to be determined for each required

Guide values for maximum screw tightening torques

Figures given in Nm; calculated from the tensional cross-section; utilization of the yield point: 90% (with friction coefficient $\mu_{\text{total}} = 0.12$). As a control measure, always check the tightening torque with a torque wrench.

Property Classes according to DIN 267	Standard Screws/Bolts								High-strength Bolts		
	3.6	4.6	5.6	4.8	6.6	5.8	6.8	6.9	8.8	10.9	12.9
M6	2.71	3.61	4.52	4.8	5.42	6.02	7.22	8.13	9.7	13.6	16.2
M8	6.57	8.7	11	11.6	13.1	14.6	17.5	19.7	23	33	39
M10	13	17.5	22	23	26	29	35	39	47	65	78
M12	22.6	30	37.6	40	45	50	60	67	80	113	135
M14	36	48	60	65	72	79	95	107	130	180	215
M16	55	73	92	98	110	122	147	165	196	275	330

Tips

Before screwing larger, longer screws into hard materials, it is advisable to pre-drill a pilot hole with the core diameter of the thread to approx. 2/3 of the screw length.

Note: Ensure that no metal particles enter the power tool.

Recommendations for optimal handling of the battery

Protect the battery against moisture and water.

Only store the battery only within a temperature range of -20 to 50 °C. Do not leave the battery in your car in the summer, for example.

tightening torque. The tightening torque actually achieved should always be checked with a torque wrench.

Screw applications with hard, spring-loaded or soft seats

When the achieved torques in an impact series are measured during a test and transferred into a diagram, the result is the curve of a torque characteristic. The height of the curve corresponds to the maximum achievable torque, and the steepness indicates the duration in which this is achieved.

A torque characteristic depends on the following factors:

- Strength properties of the screws/nuts
- Type of backing (washer, disc spring, seal)
- Strength properties of the material being screwed/bolted together
- Lubrication conditions at the screw/bolt connection

The following application cases result accordingly:

- A **hard seat** is a metal-to-metal screw application which uses washers. After a relatively short impact duration, the maximum torque is achieved (steep characteristic curve). An unnecessarily long impact duration only causes damage to the machine.
- A **spring-loaded seat** is also a metal-to-metal screw application but uses spring washers, disc springs, studs or screws/nuts with conical seats. It is also called a spring-loaded seat when extensions are used.
- A **soft seat** is a screw application of e.g. metal on wood or a screw application that uses lead washers or fibre washers as backing.

For a spring-loaded seat, as well as for a soft seat, the maximum tightening torque is lower than for a hard seat. A much longer impact duration is also required.

Occasionally clean the ventilation slots on the battery using a soft brush that is clean and dry.

A significantly reduced operating time after charging indicates that the battery has deteriorated and must be replaced. Follow the instructions on correct disposal.

Maintenance and Service

Maintenance and Cleaning

- ▶ **Clean the air vents on your power tool regularly.** The motor's fan will draw the dust inside the housing and excessive accumulation of powdered metal may cause electrical hazards.
- ▶ **Remove the battery from the power tool before carrying out work on the power tool (e.g. maintenance, changing tool, etc.). The battery should also be removed for transport and storage.** There is risk of injury from unintentionally pressing the on/off switch.
- ▶ **To ensure safe and efficient operation, always keep the power tool and the ventilation slots clean.**

After-Sales Service and Application Service

Our after-sales service responds to your questions concerning maintenance and repair of your product as well as spare parts. You can find explosion drawings and information on spare parts at: www.bosch-pt.com

The Bosch product use advice team will be happy to help you with any questions about our products and their accessories.

In all correspondence and spare parts orders, please always include the 10-digit article number given on the nameplate of the product.

Malaysia

Robert Bosch Sdn. Bhd. (220975-V) PT/SMY
No. 8A, Jalan 13/6
46200 Petaling Jaya
Selangor
Tel.: (03) 79663194
Toll-Free: 1800 880188
Fax: (03) 79583838
E-Mail: kiathoe.chong@my.bosch.com
www.bosch-pt.com.my

You can find further service addresses at:

www.bosch-pt.com/serviceaddresses

Transport

The recommended lithium-ion batteries are subject to legislation on the transport of dangerous goods. The user can transport the batteries by road without further requirements.

When shipping by third parties (e.g.: by air transport or forwarding agency), special requirements on packaging and labelling must be observed. For preparation of the item being shipped, consulting an expert for hazardous material is required.

Dispatch battery packs only when the housing is undamaged. Tape or mask off open contacts and pack up the battery in such a manner that it cannot move around in the packaging. Please also observe the possibility of more detailed national regulations.

Disposal



Power tools, rechargeable batteries, accessories and packaging should be sorted for environmental-friendly recycling.



Do not dispose of power tools and batteries/rechargeable batteries into household waste!

Battery packs/batteries:

Li-ion:

Please observe the notes in the section on transport (see "Transport", page 10).

Français

Consignes de sécurité

Avertissements de sécurité généraux pour l'outil électrique

⚠ AVERTISSEMENT

Lire tous les avertissements de sécurité, les instructions, les illustrations et les spécifications fournis

avec cet outil électrique. Ne pas suivre les instructions énumérées ci-dessous peut provoquer un choc électrique, un incendie et/ou une blessure sérieuse.

Conservation des avertissements et des instructions pour pouvoir s'y reporter ultérieurement.

Le terme "outil électrique" dans les avertissements fait référence à votre outil électrique alimenté par le secteur (avec cordon d'alimentation) ou votre outil électrique fonctionnant sur batterie (sans cordon d'alimentation).

Sécurité de la zone de travail

- ▶ **Conservation de la zone de travail propre et bien éclairée.**
Les zones en désordre ou sombres sont propices aux accidents.
- ▶ **Ne pas faire fonctionner les outils électriques en atmosphère explosive, par exemple en présence de liquides inflammables, de gaz ou de poussières.** Les outils électriques produisent des étincelles qui peuvent enflammer les poussières ou les fumées.
- ▶ **Maintenir les enfants et les personnes présentes à l'écart pendant l'utilisation de l'outil électrique.** Les distractions peuvent vous faire perdre le contrôle de l'outil.

Sécurité électrique

- ▶ **Il faut que les fiches de l'outil électrique soient adaptées au socle. Ne jamais modifier la fiche de quelque façon que ce soit. Ne pas utiliser d'adaptateurs avec des outils électriques à branchement de terre.** Des

fiches non modifiées et des socles adaptés réduisent le risque de choc électrique.

- ▶ **Éviter tout contact du corps avec des surfaces reliées à la terre telles que les tuyaux, les radiateurs, les cuisinières et les réfrigérateurs.** Il existe un risque accru de choc électrique si votre corps est relié à la terre.
- ▶ **Ne pas exposer les outils électriques à la pluie ou à des conditions humides.** La pénétration d'eau à l'intérieur d'un outil électrique augmente le risque de choc électrique.
- ▶ **Ne pas maltraiter le cordon. Ne jamais utiliser le cordon pour porter, tirer ou débrancher l'outil électrique. Maintenir le cordon à l'écart de la chaleur, du lubrifiant, des arêtes vives ou des parties en mouvement.** Des cordons endommagés ou emmêlés augmentent le risque de choc électrique.
- ▶ **Lorsqu'on utilise un outil électrique à l'extérieur, utiliser un prolongateur adapté à l'utilisation extérieure.** L'utilisation d'un cordon adapté à l'utilisation extérieure réduit le risque de choc électrique.
- ▶ **Si l'usage d'un outil électrique dans un emplacement humide est inévitable, utiliser une alimentation protégée par un dispositif à courant différentiel résiduel (RCD).** L'usage d'un RCD réduit le risque de choc électrique.

Sécurité des personnes

- ▶ **Rester vigilant, regarder ce que vous êtes en train de faire et faire preuve de bon sens dans votre utilisation de l'outil électrique. Ne pas utiliser un outil électrique lorsque vous êtes fatigué ou sous l'emprise de drogues, de l'alcool ou de médicaments.** Un moment d'inattention en cours d'utilisation d'un outil électrique peut entraîner des blessures graves.
- ▶ **Utiliser un équipement de protection individuelle. Toujours porter une protection pour les yeux.** Les équipements de protection individuelle tels que les masques contre les poussières, les chaussures de sécurité antidérapantes, les casques ou les protections auditives utilisés pour les conditions appropriées réduisent les blessures.
- ▶ **Éviter tout démarrage intempestif. S'assurer que l'interrupteur est en position arrêt avant de brancher l'outil au secteur et/ou au bloc de batteries, de le ramasser ou de le porter.** Porter les outils électriques en ayant le doigt sur l'interrupteur ou brancher des outils électriques dont l'interrupteur est en position marche est source d'accidents.
- ▶ **Retirer toute clé de réglage avant de mettre l'outil électrique en marche.** Une clé laissée fixée sur une partie tournante de l'outil électrique peut donner lieu à des blessures.
- ▶ **Ne pas se précipiter. Garder une position et un équilibre adaptés à tout moment.** Cela permet un meilleur contrôle de l'outil électrique dans des situations inattendues.

- ▶ **S'habiller de manière adaptée. Ne pas porter de vêtements amples ou de bijoux. Garder les cheveux et les vêtements à distance des parties en mouvement.** Des vêtements amples, des bijoux ou les cheveux longs peuvent être pris dans des parties en mouvement.
- ▶ **Si des dispositifs sont fournis pour le raccordement d'équipements pour l'extraction et la récupération des poussières, s'assurer qu'ils sont connectés et correctement utilisés.** Utiliser des collecteurs de poussière peut réduire les risques dus aux poussières.
- ▶ **Rester vigilant et ne pas négliger les principes de sécurité de l'outil sous prétexte que vous avez l'habitude de l'utiliser.** Une fraction de seconde d'inattention peut provoquer une blessure grave.

Utilisation et entretien de l'outil électrique

- ▶ **Ne pas forcer l'outil électrique. Utiliser l'outil électrique adapté à votre application.** L'outil électrique adapté réalise mieux le travail et de manière plus sûre au régime pour lequel il a été construit.
- ▶ **Ne pas utiliser l'outil électrique si l'interrupteur ne permet pas de passer de l'état de marche à arrêt et inversement.** Tout outil électrique qui ne peut pas être commandé par l'interrupteur est dangereux et il faut le réparer.
- ▶ **Débrancher la fiche de la source d'alimentation et/ou enlever le bloc de batteries, s'il est amovible, avant tout réglage, changement d'accessoires ou avant de ranger l'outil électrique.** De telles mesures de sécurité préventives réduisent le risque de démarrage accidentel de l'outil électrique.
- ▶ **Conserver les outils électriques à l'arrêt hors de la portée des enfants et ne pas permettre à des personnes ne connaissant pas l'outil électrique ou les présentes instructions de le faire fonctionner.** Les outils électriques sont dangereux entre les mains d'utilisateurs novices.
- ▶ **Observer la maintenance des outils électriques et des accessoires. Vérifier qu'il n'y a pas de mauvais alignement ou de blocage des parties mobiles, des pièces cassées ou toute autre condition pouvant affecter le fonctionnement de l'outil électrique. En cas de dommages, faire réparer l'outil électrique avant de l'utiliser.** De nombreux accidents sont dus à des outils électriques mal entretenus.
- ▶ **Garder affûtés et propres les outils permettant de couper.** Des outils destinés à couper correctement entretenus avec des pièces coupantes tranchantes sont moins susceptibles de bloquer et sont plus faciles à contrôler.
- ▶ **Utiliser l'outil électrique, les accessoires et les lames etc., conformément à ces instructions, en tenant compte des conditions de travail et du travail à réaliser.** L'utilisation de l'outil électrique pour des opérations différentes de celles prévues peut donner lieu à des situations dangereuses.

- **Il faut que les poignées et les surfaces de préhension restent sèches, propres et dépourvues d'huiles et de graisses.** Des poignées et des surfaces de préhension glissantes rendent impossibles la manipulation et le contrôle en toute sécurité de l'outil dans les situations inattendues.

Utilisation des outils fonctionnant sur batteries et précautions d'emploi

- **Ne recharger qu'avec le chargeur spécifié par le fabricant.** Un chargeur qui est adapté à un type de bloc de batteries peut créer un risque de feu lorsqu'il est utilisé avec un autre type de bloc de batteries.
- **N'utiliser les outils électriques qu'avec des blocs de batteries spécifiquement désignés.** L'utilisation de tout autre bloc de batteries peut créer un risque de blessure et de feu.
- **Lorsqu'un bloc de batteries n'est pas utilisé, le maintenir à l'écart de tout autre objet métallique, par exemple trombones, pièces de monnaie, clés, clous, vis ou autres objets de petite taille qui peuvent donner lieu à une connexion d'une borne à une autre.** Le court-circuitage des bornes d'une batterie entre elles peut causer des brûlures ou un feu.
- **Dans de mauvaises conditions, du liquide peut être éjecté de la batterie; éviter tout contact. En cas de contact accidentel, nettoyer à l'eau. Si le liquide entre en contact avec les yeux, rechercher en plus une aide médicale.** Le liquide éjecté des batteries peut causer des irritations ou des brûlures.
- **Ne pas utiliser un bloc de batteries ou un outil fonctionnant sur batteries qui a été endommagé ou modifié.** Les batteries endommagées ou modifiées peuvent avoir un comportement imprévisible provoquant un feu, une explosion ou un risque de blessure.
- **Ne pas exposer un bloc de batteries ou un outil fonctionnant sur batteries au feu ou à une température excessive.** Une exposition au feu ou à une température supérieure à 130 °C peut provoquer une explosion.
- **Suivre toutes les instructions de charge et ne pas charger le bloc de batteries ou l'outil fonctionnant sur batteries hors de la plage de températures spécifiée dans les instructions.** Un chargement incorrect ou à des températures hors de la plage spécifiée de températures peut endommager la batterie et augmenter le risque de feu.

Maintenance et entretien

- **Faire entretenir l'outil électrique par un réparateur qualifié utilisant uniquement des pièces de rechange identiques.** Cela assure le maintien de la sécurité de l'outil électrique.
- **Ne jamais effectuer d'opération d'entretien sur des blocs de batteries endommagés.** Il convient que l'entretien des blocs de batteries ne soit effectué que par le fabricant ou les fournisseurs de service autorisés.

Consignes de sécurité pour visseuses à chocs

- **Tenir l'outil électrique par les surfaces de préhension, au cours d'une opération où la fixation peut être en contact avec un câblage caché.** Les fixations en contact avec un fil "sous tension" peuvent "mettre sous tension" les parties métalliques exposées de l'outil électrique et provoquer un choc électrique chez l'opérateur.
- **Utilisez un détecteur approprié pour vérifier s'il n'y a pas de conduites cachées ou contactez votre société de distribution d'eau locale.** Tout contact avec des câbles électriques peut provoquer un incendie ou un choc électrique. Tout endommagement d'une conduite de gaz peut provoquer une explosion. La perforation d'une conduite d'eau provoque des dégâts matériels.
- **Maintenez bien l'outil électroportatif en place.** Lors du serrage ou du desserrage des vis, des couples de réaction élevés peuvent survenir en peu de temps.
- **Bloquez la pièce à travailler.** Une pièce à travailler serrée par des dispositifs de serrage appropriés ou dans un étau est fixée de manière plus sûre que quand elle est tenue avec une main.
- **Avant de poser l'outil électroportatif, attendez que celui-ci soit complètement à l'arrêt.** L'outil risque de se coincer, ce qui entraînerait une perte de contrôle de l'outil électroportatif.
- **Si l'accu est endommagé ou utilisé de manière non conforme, des vapeurs peuvent s'échapper. L'accu peut brûler ou exploser.** Ventilez le local et consultez un médecin en cas de malaise. Les vapeurs peuvent entraîner des irritations des voies respiratoires.
- **N'ouvrez pas l'accu.** Risque de court-circuit.
- **Les objets pointus comme un clou ou un tournevis et le fait d'exercer une force extérieure sur le boîtier risque d'endommager l'accu.** Il peut en résulter un court-circuit interne et l'accu risque de s'enflammer, de dégager des fumées, d'exploser ou de surchauffer.
- **N'utilisez l'accu que sur les produits du fabricant.** Tout risque de surcharge dangereuse sera alors exclu.



Conservez la batterie à l'abri de la chaleur, en la protégeant p. ex. de l'ensoleillement direct, du feu, de la saleté, de l'eau et de l'humidité. Il existe un risque d'explosion et de courts-circuits.

Description des prestations et du produit



Lisez attentivement toutes les instructions et consignes de sécurité. Le non-respect des instructions et consignes de sécurité peut provoquer un choc électrique, un incendie et/ou entraîner de graves blessures.

Référez-vous aux illustrations qui se trouvent à l'avant de la notice d'utilisation.

Utilisation conforme

L'outil électroportatif est conçu pour le vissage et le dévissage de vis ainsi que pour le serrage et le desserrage des écrous dans les plages de dimensions indiquées.

Éléments constitutifs

La numérotation des éléments se réfère à la représentation de l'outil électroportatif sur la page graphique.

- (1) Porte-outil
- (2) Bague de verrouillage
- (3) Sélecteur de vitesse
- (4) Fixation pour dragonne
- (5) Bouton de déverrouillage d'accu

- (6) Accu
- (7) Sélecteur de sens de rotation
- (8) Interrupteur Marche/Arrêt
- (9) Éclairage « PowerLight »
- (10) Poignée (surface de préhension isolée)
- (11) Embout double^{a)}
- (12) Porte-embout universel^{a)}
- (13) Embout de vissage^{a)}
- (14) Accessoire (par ex. douille)^{a)}

a) **Les accessoires décrits ou illustrés ne sont pas tous compris dans la fourniture. Vous trouverez l'ensemble des accessoires dans notre gamme d'accessoires.**

Caractéristiques techniques

Visseuse à choc sans-fil		GDR 120-LI	GDS 120-LI
Référence		3 601 JFO 0..	3 601 JFO 1..
Tension nominale	V=	12	12
Vitesse de rotation à vide ^{A)}			
– Réglage 1	tr/min	0–1 300	0–1 300
– Réglage 2	tr/min	0–2 600	0–2 600
Fréquence de coups ^{A)}			
– Réglage 1	min ⁻¹	0–1 500	0–1 500
– Réglage 2	min ⁻¹	0–2 700	0–2 700
Couple maxi ^{A)} (vissage dur) selon ISO 5393	Nm	100	105
Ø de vis	mm	M4–M12	M4–M12
Ø de vissage maxi	mm	8	8
Porte-outil		Six pans ¼"	■ 3/8"
Poids selon EPTA-Procédure 01:2014	kg	1,1	1,1
Températures ambiantes recommandées pour la charge	°C	0 ... +35	0 ... +35
Températures ambiantes autorisées pendant l'utilisation ^{B)} et pour le stockage	°C	-20 ... +50	-20 ... +50
Batteries recommandées		GBA 12V ...	GBA 12V ...
Chargeurs recommandés		GAL 12 ... GAX 18 ...	GAL 12 ... GAX 18 ...

A) Mesuré à 20–25 °C avec accu **GBA 12V 2.0 Ah**.

B) Performances réduites à des températures < 0 °C

Les valeurs peuvent varier selon le produit, les conditions d'utilisation et les conditions ambiantes. Pour plus d'informations, rendez-vous sur www.bosch-professional.com/wac.

Informations sur le niveau sonore/les vibrations

Valeurs d'émissions sonores déterminées conformément à **EN 62841-2-2**.

Le niveau sonore en dB(A) typique de l'outil électroportatif est de : niveau de pression acoustique **92 dB(A)** ; niveau de puissance acoustique **103 dB(A)**. Incertitude K = **3 dB**.

Portez un casque antibruit !

Valeurs globales de vibration a_{hv} (somme vectorielle sur les trois axes) et incertitude K conformément à **EN 62841-2-2** :

Serrage de vis et d'écrous de la taille maximale admissible : $a_{hv} = 9,5 \text{ m/s}^2$, $K = 1,5 \text{ m/s}^2$

Le niveau de vibration et la valeur d'émission sonore indiqués dans cette notice d'utilisation ont été mesurés selon une procédure de mesure normalisée et peuvent être utilisés pour établir une comparaison entre différents outils électroportatifs. Ils peuvent aussi servir de base à une estimation préliminaire du taux de vibration et du niveau sonore.

Le niveau de vibration et la valeur d'émission sonore indiqués s'appliquent pour les utilisations principales de l'outil

électroportatif. Si l'outil électroportatif est utilisé pour d'autres applications, avec d'autres accessoires de travail ou sans avoir fait l'objet d'un entretien régulier, le niveau de vibration et la valeur d'émission sonore peuvent différer. Il peut en résulter des vibrations et un niveau sonore nettement plus élevés pendant toute la durée de travail.

Pour une estimation précise du niveau de vibration et du niveau sonore, il faut aussi prendre en considération les périodes pendant lesquelles l'outil est éteint ou bien en marche sans être vraiment en action. Il peut en résulter au final un niveau de vibration et un niveau sonore nettement plus faibles pendant toute la durée de travail.

Prévoyez des mesures de protection supplémentaires permettant de protéger l'utilisateur de l'effet des vibrations, par exemple : maintenance de l'outil électroportatif et des accessoires de travail, maintien des mains au chaud, organisation des procédures de travail.

Montage

► **Retirez l'accu de l'appareil électroportatif avant toute intervention (opérations d'entretien/de maintenance, changement d'accessoire, etc.) ainsi que lors de son transport et rangement.** Il y a sinon risque de blessure lorsqu'on appuie par mégarde sur l'interrupteur Marche/Arrêt.

Recharge de l'accu

► **N'utilisez que les chargeurs indiqués dans les Caractéristiques techniques.** Ils sont les seuls à être adaptés à l'accu Lithium-Ion de votre outil électroportatif.

Remarque : L'accu est fourni partiellement chargé. Pour obtenir les performances maximales, chargez l'accu jusqu'à sa pleine capacité avant la première utilisation.

L'accu Lithium-Ion peut être rechargé à tout moment, sans risquer de réduire sa durée de vie. Le fait d'interrompre le processus de charge n'endommage pas l'accu.

L'accu Lithium-Ion est protégé contre une décharge complète par « Electronic Cell Protection (ECP) » (l'électronique de protection des cellules). Lorsque l'accu est déchargé, l'outil électroportatif s'arrête grâce à un dispositif d'arrêt de protection : l'accessoire de travail ne tourne plus.

► **Après l'arrêt automatique de l'outil électroportatif, n'appuyez plus sur l'interrupteur Marche/Arrêt.** L'accu pourrait être endommagé.

Retrait de l'accu (voir figure A)

Pour retirer l'accu (6), appuyez sur la touche de déverrouillage (5) et sortez l'accu par le bas. **Ne forcez pas.**

Changement d'accessoire

► **Retirez l'accu de l'appareil électroportatif avant toute intervention (opérations d'entretien/de maintenance, changement d'accessoire, etc.) ainsi que lors de son transport et rangement.** Il y a sinon risque de blessure lorsqu'on appuie par mégarde sur l'interrupteur Marche/Arrêt.

GDR 120-LI :

Montage d'un accessoire de travail (voir figure B)

Tirez la douille de verrouillage (2) vers l'avant, enfoncez l'accessoire de travail à fond dans le porte-outil (1) et relâchez la douille de verrouillage (2) afin de bloquer l'accessoire.

Pour monter des embouts de vissage (13), utilisez un porte-embout universel avec loqueteau à billes (12).

Retrait d'un accessoire de travail

Tirez la douille de verrouillage (2) vers l'avant et sortez l'accessoire de travail.

GDS 120-LI : (voir figure C)

► **Lors de la mise en place de l'accessoire de travail, veillez à bien le fixer sur le porte-outil.** Si l'accessoire de travail n'est pas correctement fixé, il peut se détacher lors des vissages.

Placez l'accessoire de travail (14) sur le carré mâle du porte-outil (1).

De par sa conception, l'accessoire de travail (1) présente un peu de jeu une fois monté sur le porte-outil (14) ; ceci n'a aucune incidence sur le fonctionnement et la sécurité.

Mise en marche

Fonctionnement

Le porte-outil (1) et l'accessoire de travail sont entraînés par un moteur électrique par l'intermédiaire d'un engrenage et d'un mécanisme de frappe.

L'opération se déroule en deux phases :

vissage puis serrage (mécanisme de frappe en action).

Le mécanisme de frappe entre en action dès que la vis est serrée et que le moteur est sollicité. Le mécanisme de frappe transforme ainsi la puissance du moteur en impacts de rotation réguliers. Lors du desserrage des vis ou des écrous, l'opération se déroule dans l'ordre inverse.

Mise en marche

Montage de l'accu

Mettez le sélecteur de sens de rotation (7) en position médiane pour éviter toute mise en marche non-intentionnelle. Montez l'accu chargé (6) dans la poignée jusqu'à ce qu'il s'encliquette de façon perceptible et affleure avec la poignée.

Sélection du sens de rotation (voir figure D)

Le sélecteur de sens de rotation (7) permet d'inverser le sens de rotation de l'outil électroportatif. Cela n'est toutefois pas possible lorsqu'on appuie sur l'interrupteur Marche/Arrêt (8).

Rotation droite : Pour serrer des vis et des écrous, actionnez le sélecteur de sens de rotation (7) à fond vers la gauche.

Rotation gauche : Pour desserrer ou dévisser des vis et des écrous, actionnez le sélecteur de sens de rotation (7) à fond vers la droite.

Sélection mécanique de la vitesse

- **N'actionnez le sélecteur de vitesse (3) que quand l'outil électroportatif est à l'arrêt.**

Le sélecteur de vitesse (3) permet de présélectionner 2 plages de vitesse de rotation.

Vitesse I :

Plage de basses vitesses ; pour le vissage ou pour les grands diamètres de perçage.

Vitesse II :

Plage de hautes vitesses ; pour les petits diamètres de perçage.

Au cas où le sélecteur de vitesse (3) ne se laisserait pas tourner à fond, tournez légèrement la broche d'entraînement munie du foret.

Mise en marche/arrêt

Pour **mettre en marche** l'outil électroportatif, actionnez l'interrupteur Marche/Arrêt (8) et maintenez-le actionné.

La lampe (9) s'allume dès que l'interrupteur Marche/Arrêt (8) est actionné. Elle permet d'éclairer la zone de travail lorsque la luminosité est mauvaise.

Pour **arrêter** l'outil électroportatif, relâchez l'interrupteur Marche/Arrêt (8).

Réglage de la vitesse de rotation

Il est possible de faire varier en continu la vitesse de rotation de l'outil électroportatif en exerçant plus ou moins de pression sur l'interrupteur Marche/Arrêt (8).

Une légère pression sur l'interrupteur Marche/Arrêt (8) produit une faible vitesse de rotation. Plus l'on exerce de pression, plus la vitesse de rotation augmente.

Protection contre les surcharges en cas de surchauffe

Si l'outil électroportatif est utilisé de manière conforme, tout risque de surcharge est exclu. En cas de trop forte sollicitation de l'outil ou de dépassement de la température admissible de l'accu, l'électronique arrête l'outil électroportatif jusqu'à ce qu'il ait suffisamment refroidi.

Valeurs indicatives pour les couples de serrage de vis maximaux

Indiquées en Nm, calculées à partir de la section de résistance ; utilisation de la limite d'élasticité à 90 % (pour un coefficient de frottement $\mu_{\text{tot}} = 0,12$). Contrôlez toujours le couple à l'aide d'une clé dynamométrique.

Classes de résistance selon DIN 267	Vis standard						Vis haute résistance				
	3.6	4.6	5.6	4.8	6.6	5.8	6.8	6.9	8.8	10.9	12.9
M6	2.71	3.61	4.52	4.8	5.42	6.02	7.22	8.13	9.7	13.6	16.2
M8	6.57	8.7	11	11.6	13.1	14.6	17.5	19.7	23	33	39
M10	13	17.5	22	23	26	29	35	39	47	65	78
M12	22.6	30	37.6	40	45	50	60	67	80	113	135
M14	36	48	60	65	72	79	95	107	130	180	215
M16	55	73	92	98	110	122	147	165	196	275	330

Instructions d'utilisation

- **Positionnez l'outil électroportatif sur la vis/sur l'écrou seulement lorsqu'il est à l'arrêt.** Un accessoire en rotation risque de glisser.

Le couple dépend de la durée des chocs. Le couple maximal atteint résulte de la somme des couples générés lors de chaque choc. Le couple maximal est atteint au bout d'une durée de choc de 6 à 10 secondes. Au-delà de cette durée, le couple de serrage n'augmente plus que faiblement. Il est nécessaire de déterminer la durée de chocs pour chaque couple de serrage. Toujours contrôler le couple réellement atteint à l'aide d'une clé dynamométrique.

Vissages durs, élastiques et tendres

Si l'on mesure et retranscrit sur un diagramme les couples obtenus lors d'une succession de chocs, on obtient la courbe caractéristique de couple. Le sommet de la courbe indique le couple maximum que l'on peut atteindre, la pente indique le temps pendant lequel ce couple est atteint.

L'évolution du couple et donc l'allure de la courbe dépend des facteurs suivants :

- Résistance des vis/écrous
- Nature du support (rondelle, rondelle élastique, joint)
- Résistance du matériau à visser
- Conditions de graissage à l'endroit du vissage

Il en résulte une distinction entre trois types de vissages :

- Un **vissage dur** désigne un vissage métal sur métal avec utilisation de rondelles. Le couple maximal est atteint au bout d'une durée de chocs relativement courte (courbe à pente raide). Une prolongation inutile de la durée des chocs est préjudiciable à l'outil.
- Un **vissage élastique** désigne un vissage métal sur métal, mais avec utilisation de rondelles élastiques, de rondelles ressorts, de goujons ou de vis/écrous coniques ainsi qu'avec utilisation de rallonges.
- Un **vissage tendre** désigne un vissage métal sur bois p. ex. ou avec utilisation de rondelles en plomb ou en fibre comme intercalaire.

Dans le cas d'un vissage élastique ou tendre, le couple de serrage maximal est plus faible que dans le cas d'un vissage dur. Ces deux types de vissage nécessitent par ailleurs une durée de chocs plus longue que pour un vissage dur.

Conseils

Avant de visser des vis de gros diamètre ou très longues dans des matériaux durs, il est recommandé d'effectuer un préperçage au diamètre intérieur de filetage sur approximativement les 2/3 de la longueur de la vis.

Remarque : Veillez à ce qu'aucune pièce métallique (pièce de fixation par ex.) ne pénètre dans l'outil électroportatif.

Indications pour l'utilisation optimale de l'accu

Protégez l'accu de l'humidité et de l'eau.

Ne stockez l'accu que dans la plage de températures de -20 à 50 °C. Ne laissez par ex. pas l'accu dans une voiture en plein été.

Nettoyez de temps en temps les orifices de ventilation de l'accu à l'aide d'un pinceau doux, propre et sec.

Une baisse notable de l'autonomie de l'accu au fil des recharges effectuées indique que l'accu est arrivé en fin de vie et qu'il doit être remplacé.

Respectez les indications concernant l'élimination.

Entretien et Service après-vente

Nettoyage et entretien

- ▶ **Nettoyez régulièrement les ouïes d'aération de l'outil électroportatif.** Le ventilateur du moteur attire la poussière à l'intérieur du carter et une accumulation excessive de poussière de métal accroît le risque de choc électrique.
- ▶ **Retirez l'accu de l'appareil électroportatif avant toute intervention (opérations d'entretien/de maintenance, changement d'accessoire, etc.) ainsi que lors de son transport et rangement.** Il y a sinon risque de blessure lorsqu'on appuie par mégarde sur l'interrupteur Marche/Arrêt.
- ▶ **Tenez toujours propres l'outil électroportatif ainsi que les fentes de ventilation afin d'obtenir un travail impeccable et sûr.**

Service après-vente et conseil utilisateurs

Notre Service après-vente répond à vos questions concernant la réparation et l'entretien de votre produit et les pièces de rechange. Vous trouverez des vues éclatées et des informations sur les pièces de rechange sur le site :

www.bosch-pt.com

L'équipe de conseil utilisateurs Bosch se tient à votre disposition pour répondre à vos questions concernant nos produits et leurs accessoires.

Pour toute demande de renseignement ou toute commande de pièces de rechange, précisez impérativement la référence à 10 chiffres figurant sur l'étiquette signalétique du produit.

Maroc

Robert Bosch Morocco SARL
53, Rue Lieutenant Mahroud Mohamed
20300 Casablanca

Tel. : +212 5 29 31 43 27

E-Mail : sav.outillage@ma.bosch.com

Vous trouverez d'autres adresses du service après-vente sous :

www.bosch-pt.com/serviceaddresses

Transport

Les accus Lithium-ion recommandés sont soumis à la réglementation relative au transport de matières dangereuses. Pour le transport sur route par l'utilisateur, aucune autre mesure n'a besoin d'être prise.

Lors d'une expédition par un tiers (par ex. transport aérien ou entreprise de transport), des mesures spécifiques doivent être prises concernant l'emballage et le marquage. Pour la préparation de l'envoi, faites-vous conseiller par un expert en transport de matières dangereuses.

N'expédiez que des accus dont le boîtier n'est pas endommagé. Recouvrez les contacts non protégés et emballez l'accu de manière à ce qu'il ne puisse pas se déplacer dans l'emballage. Veuillez également respecter les réglementations supplémentaires éventuellement en vigueur.

Élimination des déchets



Les outils électroportatifs, les accus ainsi que leurs accessoires et emballages doivent être rapportés dans un centre de recyclage respectueux de l'environnement.



Ne jetez pas les outils électroportatifs et les accus/piles avec les ordures ménagères !

Accus/piles :

Li-ion :

Veillez respecter les indications se trouvant dans le chapitre Transport (voir « Transport », Page 16).

Português

Instruções de segurança

Instruções gerais de segurança para ferramentas eléctricas

⚠ AVISO

Devem ser lidas todas as indicações de segurança,

instruções, ilustrações e especificações desta ferramenta eléctrica. O desrespeito das instruções apresentadas abaixo poderá resultar em choque eléctrico, incêndio e/ou ferimentos graves.

Guarde bem todas as advertências e instruções para futura referência.

O termo "ferramenta eléctrica" utilizado a seguir nas indicações de advertência, refere-se a ferramentas

eléctricas operadas com corrente de rede (com cabo de rede) e a ferramentas eléctricas operadas com acumulador (sem cabo de rede).

Segurança da área de trabalho

- ▶ **Mantenha a sua área de trabalho sempre limpa e bem iluminada.** Desordem ou áreas de trabalho insuficientemente iluminadas podem levar a acidentes.
- ▶ **Não trabalhar com a ferramenta eléctrica em áreas com risco de explosão, nas quais se encontrem líquidos, gases ou pós inflamáveis.** Ferramentas eléctricas produzem faíscas, que podem inflamar pós ou vapores.
- ▶ **Manter crianças e outras pessoas afastadas da ferramenta eléctrica durante a utilização.** No caso de distração é possível que perca o controlo sobre o aparelho.

Segurança eléctrica

- ▶ **A ficha de conexão da ferramenta eléctrica deve caber na tomada. A ficha não deve ser modificada de maneira alguma. Não utilizar uma ficha de adaptação junto com ferramentas eléctricas protegidas por ligação à terra.** Fichas não modificadas e tomadas apropriadas reduzem o risco de um choque eléctrico.
- ▶ **Evitar que o corpo possa entrar em contacto com superfícies ligadas à terra, como tubos, aquecimentos, fogões e frigoríficos.** Há um risco elevado devido a um choque eléctrico, se o corpo estiver ligado à terra.
- ▶ **Manter o aparelho afastado de chuva ou humidade.** A infiltração de água numa ferramenta eléctrica aumenta o risco de choque eléctrico.
- ▶ **Não deverá utilizar o cabo para outras finalidades. Nunca utilizar o cabo para transportar a ferramenta eléctrica, para pendurá-la, nem para puxar a ficha da tomada. Manter o cabo afastado do calor, do óleo, de arestas afiadas ou de peças em movimento.** Cabos danificados ou emaranhados aumentam o risco de um choque eléctrico.
- ▶ **Se trabalhar com uma ferramenta eléctrica ao ar livre, só deverá utilizar cabos de extensão apropriados para áreas exteriores.** A utilização de um cabo de extensão apropriado para áreas exteriores reduz o risco de um choque eléctrico.
- ▶ **Se não for possível evitar o funcionamento da ferramenta eléctrica em áreas húmidas, deverá ser utilizado um disjuntor de corrente de avaria.** A utilização de um disjuntor de corrente de avaria reduz o risco de um choque eléctrico.

Segurança de pessoas

- ▶ **Esteja atento, observe o que está a fazer e tenha prudência ao trabalhar com a ferramenta eléctrica. Não utilizar uma ferramenta eléctrica quando estiver fatigado ou sob a influência de drogas, álcool ou medicamentos.** Um momento de descuido ao utilizar a ferramenta eléctrica, pode levar a lesões graves.

- ▶ **Utilizar equipamento de protecção individual. Utilizar sempre óculos de protecção.** A utilização de equipamento de protecção pessoal, como máscara de protecção contra pó, sapatos de segurança antiderrapantes, capacete de segurança ou protecção auricular, de acordo com o tipo e aplicação da ferramenta eléctrica, reduz o risco de lesões.
- ▶ **Evitar uma colocação em funcionamento involuntária. Assegure-se de que a ferramenta eléctrica esteja desligada, antes de conectá-la à alimentação de rede e/ou ao acumulador, antes de levantá-la ou de transportá-la.** Se tiver o dedo no interruptor ao transportar a ferramenta eléctrica ou se o aparelho for conectado à alimentação de rede enquanto estiver ligado, poderão ocorrer acidentes.
- ▶ **Remover ferramentas de ajuste ou chaves de boca antes de ligar a ferramenta eléctrica.** Uma ferramenta ou chave que se encontre numa parte do aparelho em movimento pode levar a lesões.
- ▶ **Evite uma posição anormal. Mantenha uma posição firme e mantenha sempre o equilíbrio.** Desta forma é mais fácil controlar a ferramenta eléctrica em situações inesperadas.
- ▶ **Usar roupa apropriada. Não usar roupa larga nem jóias. Mantenha os cabelos e roupas afastados de peças em movimento.** Roupas frouxas, cabelos longos ou jóias podem ser agarrados por peças em movimento.
- ▶ **Se for possível montar dispositivos de aspiração ou de recolha, assegure-se de que estejam conectados e utilizados correctamente.** A utilização de uma aspiração de pó pode reduzir o perigo devido ao pó.
- ▶ **Não deixe que a familiaridade resultante de uma utilização frequente de ferramentas permita que você se torne complacente e ignore os princípios de segurança da ferramenta.** Uma acção descuidada pode causar ferimentos graves numa fracção de segundo.

Utilização e manuseio cuidadoso de ferramentas eléctricas

- ▶ **Não sobrecarregue a ferramenta eléctrica. Utilize a ferramenta eléctrica apropriada para o seu trabalho.** É melhor e mais seguro trabalhar com a ferramenta eléctrica apropriada na área de potência indicada.
- ▶ **Não utilizar uma ferramenta eléctrica com um interruptor defeituoso.** Uma ferramenta eléctrica que não pode mais ser ligada nem desligada, é perigosa e deve ser reparada.
- ▶ **Puxar a ficha da tomada e/ou remover o acumulador, se amovível, antes de executar ajustes na ferramenta eléctrica, de substituir acessórios ou de guardar as ferramentas eléctricas.** Esta medida de segurança evita o arranque involuntário da ferramenta eléctrica.
- ▶ **Guardar ferramentas eléctricas não utilizadas fora do alcance de crianças e não permitir que as pessoas que não estejam familiarizadas com o aparelho ou que não tenham lido estas instruções utilizem o aparelho.**

Ferramentas eléctricas são perigosas se forem utilizadas por pessoas inexperientes.

- ▶ **Tratar a ferramenta eléctrica e os acessórios com cuidado. Controlar se as partes móveis do aparelho funcionam perfeitamente e não emperram, e se há peças quebradas ou danificadas que possam prejudicar o funcionamento da ferramenta eléctrica. Permitir que peças danificadas sejam reparadas antes da utilização.** Muitos acidentes têm como causa, a manutenção insuficiente de ferramentas eléctricas.
- ▶ **Manter as ferramentas de corte afiadas e limpas.** Ferramentas de corte cuidadosamente tratadas e com cantos de corte afiados emperram com menos frequência e podem ser conduzidas com maior facilidade.
- ▶ **Utilizar a ferramenta eléctrica, acessórios, ferramentas de aplicação, etc. conforme estas instruções. Considerar as condições de trabalho e a tarefa a ser executada.** A utilização de ferramentas eléctricas para outras tarefas a não ser as aplicações previstas, pode levar a situações perigosas.
- ▶ **Mantenha os punhos e as superfícies de agarrar secas, limpas e livres de óleo e massa consistente.** Punhos e superfícies de agarrar escorregadias não permitem o manuseio e controle seguros da ferramenta em situações inesperadas.

Manuseio e utilização cuidadosos de ferramentas com acumuladores

- ▶ **Só carregar acumuladores em carregadores recomendados pelo fabricante.** Há perigo de incêndio se um carregador apropriado para um certo tipo de acumuladores for utilizado para carregar acumuladores de outros tipos.
- ▶ **Só utilizar ferramentas eléctricas com os acumuladores apropriados.** A utilização de outros acumuladores pode levar a lesões e perigo de incêndio.
- ▶ **Manter o acumulador que não está sendo utilizado afastado de cliques, moedas, chaves, parafusos ou outros pequenos objectos metálicos que possam causar um curto-circuito dos contactos.** Um curto-circuito entre os contactos do acumulador pode ter como consequência queimaduras ou fogo.
- ▶ **No caso de aplicação incorrecta pode vaziar líquido do acumulador. Evitar o contacto. No caso de um contacto accidental, deverá enxaguar com água. Se o líquido entrar em contacto com os olhos, também deverá consultar um médico.** Líquido que escapa do acumulador pode levar a irritações da pele ou a queimaduras.
- ▶ **Não use um acumulador ou uma ferramenta danificada ou modificada.** Os acumuladores danificados ou modificados exibem um comportamento imprevisível podendo causar incêndio, explosão ou risco de lesão.
- ▶ **Não exponha o acumulador ou a ferramenta ao fogo ou temperatura excessiva.** A exposição ao fogo ou a temperaturas acima de 130 °C pode causar explosão.

- ▶ **Siga todas as instruções de carregamento e não carregue o acumulador ou a ferramenta fora da faixa de temperatura especificada no manual de instruções.** Carregar indevidamente ou em temperaturas fora da faixa especificada pode danificar o acumulador e aumentar o risco de incêndio.

Serviço

- ▶ **Só permita que o seu aparelho seja reparado por pessoal especializado e qualificado e só com peças de reposição originais.** Desta forma é assegurado o funcionamento seguro do aparelho.
- ▶ **Nunca tente reparar acumuladores danificados.** A reparação de acumuladores deve ser realizada apenas pelo fabricante ou agentes de assistência autorizados.

Indicações de segurança para aparafusadoras de impacto

- ▶ **Segure a ferramenta eléctrica nas superfícies de agarrar isoladas, ao executar uma operação onde o parafuso possa entrar em contacto com cabos escondidos.** O contacto do parafuso com um fio "sob tensão" irá colocar as partes metálicas expostas da ferramenta eléctrica "sob tensão" e produzir um choque eléctrico.
- ▶ **Utilizar detetores apropriados, para encontrar cabos escondidos, ou consulte a companhia eléctrica local.** O contacto com cabos eléctricos pode provocar fogo e choques eléctricos. Danos em tubos de gás podem levar à explosão. A infiltração num cano de água provoca danos materiais.
- ▶ **Segure bem a ferramenta eléctrica.** Ao apertar e soltar parafusos podem ocorrer temporariamente elevados momentos de reacção.
- ▶ **Fixar a peça a ser trabalhada.** Uma peça a ser trabalhada fixa com dispositivos de aperto ou com torno de bancada está mais firme do que segurada com a mão.
- ▶ **Espere que a ferramenta eléctrica pare completamente, antes de depositá-la.** A ferramenta de aplicação pode emperrar e levar à perda de controlo sobre a ferramenta eléctrica.
- ▶ **Em caso de danos e de utilização incorrecta da bateria, podem escapar vapores. A bateria pode incendiar-se ou explodir.** Areje o espaço e procure assistência médica no caso de apresentar queixas. É possível que os vapores irrite as vias respiratórias.
- ▶ **Não abrir o acumulador.** Há risco de um curto-circuito.
- ▶ **Os objetos afiados como, p. ex., pregos ou chaves de fendas, assim como o efeito de forças externas podem danificar o acumulador.** Podem causar um curto-circuito interno e o acumulador pode ficar queimado, deitar fumo, explodir ou sobreaquecer.
- ▶ **Utilize a bateria apenas em produtos do fabricante.** Só assim é que a bateria é protegida contra sobrecarga perigosa.



Proteger a bateria contra calor, p. ex. também contra uma permanente radiação solar, fogo, sujidade, água e humidade. Há risco de explosão ou de um curto-circuito.



Descrição do produto e do serviço



Leia todas as instruções de segurança e instruções. A inobservância das instruções de segurança e das instruções pode causar choque elétrico, incêndio e/ou ferimentos graves.

Respeite as figuras na parte da frente do manual de instruções.

Utilização adequada

A ferramenta elétrica é destinada para apertar e soltar parafusos, assim como para apertar e soltar porcas com as dimensões especificadas e na respetiva gama de dimensões indicada.

Componentes ilustrados

A numeração dos componentes ilustrados refere-se à apresentação da ferramenta elétrica na página de esquemas.

- (1) Fixação da ferramenta
- (2) Bucha de travamento
- (3) Seletor de velocidade
- (4) Fixação da alça de transporte
- (5) Tecla de destravamento da bateria
- (6) Bateria
- (7) Comutador do sentido de rotação
- (8) Interruptor de ligar/desligar
- (9) Lâmpada "PowerLight"
- (10) Punho (superfície do punho isolada)
- (11) Bit duplo^{a)}
- (12) Porta-bits universal^{a)}
- (13) Ponta de aparafusar^{a)}
- (14) Ferramenta de trabalho (p. ex. ponta de aparafusar^{a)})

a) **Acessórios apresentados ou descritos não pertencem ao volume de fornecimento padrão. Todos os acessórios encontram-se no nosso programa de acessórios.**

Dados técnicos

Aparafusadora de percussão sem fio		GDR 120-LI	GDS 120-LI
Número de produto		3 601 JF0 0..	3 601 JF0 1..
Tensão nominal	V=	12	12
Número de rotações em vazio ^{A)}			
– Ajuste 1	r.p.m.	0–1300	0–1300
– Ajuste 2	r.p.m.	0–2600	0–2600
N.º de impactos ^{A)}			
– Ajuste 1	i.p.m.	0–1500	0–1500
– Ajuste 2	i.p.m.	0–2700	0–2700
Máx. binário ^{A)} de aparafusamento duro conforme ISO 5393	Nm	100	105
Ø parafusos comuns	mm	M4–M12	M4–M12
Ø máximo do parafuso	mm	8	8
Encabadouro		Sextavado interior ¼"	■ 3/8"
Peso conforme EPTA-Procedure 01:2014	kg	1,1	1,1
Temperatura ambiente recomendada durante o carregamento	°C	0 ... +35	0 ... +35
Temperatura ambiente admissível em funcionamento ^{B)} e durante o armazenamento	°C	–20 ... +50	–20 ... +50
Baterias recomendadas		GBA 12V ...	GBA 12V ...

Aparafusadora de percussão sem fio	GDR 120-LI	GDS 120-LI
Carregadores recomendados	GAL 12 ... GAX 18 ...	GAL 12 ... GAX 18 ...

A) Medido a 20–25 °C com bateria **GBA 12V 2.0 Ah**.

B) Potência limitada com temperaturas <0 °C

Os valores podem variar em função do produto e estar sujeitos a condições de aplicação e do meio ambiente. Para mais informações consulte www.bosch-professional.com/wac.

Informação sobre ruídos/vibrações

Os valores de emissão de ruído foram determinados de acordo com **EN 62841-2-2**.

O nível sonoro avaliado como A da ferramenta elétrica é normalmente de: nível de pressão sonora **92 dB(A)**; nível de potência sonora **103 dB(A)**. Incerteza K = **3 dB**.

Utilizar proteção auditiva!

Valores totais de vibração a_h (soma dos vetores das três direções) e incerteza K determinada segundo **EN 62841-2-2**:

Apertar parafusos e porcas com o máximo tamanho admissível: $a_h = 9,5 \text{ m/s}^2$, $K = 1,5 \text{ m/s}^2$

O nível de vibrações indicado nestas instruções e o valor de emissões sonoras foram medidos de acordo com um processo de medição normalizado e podem ser utilizados para a comparação de ferramentas elétricas. Também são adequados para uma avaliação provisória das emissões sonoras e de vibrações.

O nível de vibrações indicado e o valor de emissões sonoras representam as aplicações principais da ferramenta elétrica. Se a ferramenta elétrica for utilizada para outras aplicações, com outras ferramentas de trabalho ou com manutenção insuficiente, é possível que o nível de vibrações e de emissões sonoras seja diferente. Isto pode aumentar sensivelmente a emissão sonora e de vibrações para o período completo de trabalho.

Para uma estimativa exata da emissão sonora e de vibrações, também deveriam ser considerados os períodos nos quais o aparelho está desligado ou funciona, mas não está sendo utilizado. Isto pode reduzir a emissão sonora e de vibrações durante o completo período de trabalho.

Além disso também deverão ser estipuladas medidas de segurança para proteger o operador contra o efeito de vibrações, como por exemplo: manutenção de ferramentas elétricas e acessórios, manter as mãos quentes e organização dos processos de trabalho.

Montagem

- ▶ **A bateria deverá ser retirada antes de todos os trabalhos na ferramenta elétrica (p. ex. manutenção, troca de ferramenta etc.) e antes de transportar ou de armazenar a mesma.** Há perigo de ferimentos se o interruptor de ligar/desligar for acionado involuntariamente.

Carregar a bateria

- ▶ **Utilize apenas os carregadores listados nos dados técnicos.** Só estes carregadores são apropriados para as baterias de lítio utilizadas na sua ferramenta elétrica.

Nota: A bateria é fornecida parcialmente carregada. Para assegurar a completa potência da bateria, a bateria deverá ser carregada completamente no carregador antes da primeira utilização.

A bateria de lítio pode ser carregada a qualquer altura, sem que a sua vida útil seja reduzida. Uma interrupção do processo de carga não danifica a bateria.

O acumulador de íões de lítio está protegido contra descarga completa pelo sistema "Electronic Cell Protection (ECP)". A ferramenta elétrica é desligada através de um disjuntor de proteção, logo que o acumulador estiver descarregado. A ferramenta de trabalho não se movimenta mais.

- ▶ **Não continuar a premir o interruptor de ligar/desligar após o desligamento automático da ferramenta elétrica.** A bateria pode ser danificada.

Retirar bateria (ver figura A)

Para retirar a bateria **(6)** pressione a tecla de desbloqueio **(5)** e puxe a bateria para baixo para a retirar da ferramenta elétrica. **Não empregue força.**

Troca de ferramenta

- ▶ **A bateria deverá ser retirada antes de todos os trabalhos na ferramenta elétrica (p. ex. manutenção, troca de ferramenta etc.) e antes de transportar ou de armazenar a mesma.** Há perigo de ferimentos se o interruptor de ligar/desligar for acionado involuntariamente.

GDR 120-LI:

Colocar acessório (ver figura B)

Puxe a bucha de travamento **(2)** para a frente, insira a ferramenta de trabalho até ao batente na fixação da ferramenta **(1)** e solte a bucha de travamento **(2)** para fixar a ferramenta de trabalho.

Pode usar bits de aparafusamento **(13)** utilizando adicionalmente um porta-bits universal com travamento de esfera **(12)**.

Retirar a ferramenta de trabalho

Puxe a bucha de travamento **(2)** para a frente e retire a ferramenta de trabalho.

GDS 120-LI: (ver figura C)

- ▶ **Ao introduzir o acessório, deverá assegurar-se de que este esteja bem seguro no encabadouro.** Se o

acessório não estiver seguramente unido com o encabadoiro, é possível que possa se soltar durante o aparafusamento.

Introduza o acessório **(14)** no quadrado do encabadoiro **(1)**.

Condicionado pelo sistema, o acessório **(14)** assenta com alguma folga no encabadoiro **(1)**; tal não tem qualquer influência sobre o funcionamento/segurança.

Funcionamento

Tipo de funcionamento

A fixação da ferramenta **(1)** com a ferramenta de trabalho, é acionada por um motor elétrico através de uma engrenagem e um mecanismo de percussão.

O processo de trabalho é estruturado em duas fases: **aparafusar** e **apertar** (mecanismo de percussão em ação).

O mecanismo de percussão entra em ação assim que a união aparafusada se imobilizar e sobrecarregar motor. O mecanismo de percussão transforma a força do motor em golpes giratórios uniformes. Este processo é invertido ao aparafusar parafusos ou porcas.

Colocação em funcionamento

Colocar o acumulador

Coloque o comutador do sentido de rotação **(7)** no centro para evitar um ligamento inadvertido. Coloque a bateria carregada **(6)** no punho até esta encaixar de forma audível e ficar à face com o punho.

Ajustar o sentido de rotação (ver imagem D)

Com o comutador de sentido de rotação **(7)** é possível alterar o sentido de rotação da ferramenta elétrica. Com o interruptor de ligar/desligar pressionado **(8)** isto no entanto não é possível.

Rotação à direita: Premir o comutador do sentido de rotação **(7)** completamente para a esquerda, para atarraxar parafusos e apertar porcas.

Rotação à esquerda: para soltar ou retirar os parafusos pressione o conversor do sentido de rotação **(7)** para trás até ao batente.

Regulação mecânica da velocidade

► **Acione o seletor de velocidade (3) apenas com a ferramenta elétrica parada.**

Com o seletor de velocidade **(3)** podem ser pré-selecionados 2 regimes de rotações.

Velocidade I:

Baixa gama de número de rotações; para aparafusar ou para trabalhar com grandes diâmetros.

Velocidade II:

Alta gama de número de rotações; para trabalhar com pequeno diâmetro de perfuração.

Se não for possível empurrar o seletor de velocidade **(3)** até ao batente, rode um pouco o veio de acionamento com broca.

Ligar/desligar

Para a **colocação em funcionamento** da ferramenta elétrica deverá pressionar o interruptor de ligar/desligar **(8)** e mantenha-o pressionado.

A lâmpada **(9)** acende-se com o interruptor para ligar/desligar **(8)** ligeira ou completamente premido e permite iluminar o local de trabalho em caso de condições de iluminação desfavoráveis.

Para **desligar** a ferramenta elétrica, liberte o interruptor de ligar/desligar **(8)**.

Ajustar o número de rotações

Pode regular a velocidade da ferramenta elétrica ligada de forma contínua, consoante a pressão que faz no interruptor de ligar/desligar **(8)**.

Uma leve pressão sobre o interruptor de ligar/desligar **(8)** proporciona um número de rotações baixo. Aumentando a pressão, é aumentado o n.º de rotações.

Indicador da proteção contra sobrecarga

Numa utilização correta, a ferramenta elétrica não pode ser sobrecarregada. Em caso de sobrecarga ou saída fora da faixa de temperatura permitida para a bateria, o sistema eletrónico desliga a ferramenta elétrica, até que volte a ser alcançada a temperatura ideal de funcionamento.

Instruções de trabalho

► **Utilizar os punhos adicionais fornecidos com a ferramenta elétrica.** A perda de controle sobre a ferramenta elétrica pode levar a lesões.

O binário depende do período de percussão. O máximo binário alcançável resulta da soma de todos binários individuais alcançados por golpes. O binário máximo é alcançado após um período de percussão de 6–10 segundos. Após este período o aumento do binário de aperto é mínimo.

O período de percussão deve ser averiguado para cada binário de aperto necessário. O binário de aperto realmente alcançado deve sempre ser controlado com uma chave dinamométrica.

Aparafusamentos com assento duro, elástico ou macio

Se durante um ensaio forem medidos, em sequência, os binários alcançados e anotados num diagrama, é obtida uma curva do decurso do binário. A altura da curva corresponde ao máximo binário alcançável, a inclinação indica o período no qual é alcançado.

Um decurso de binário depende dos seguintes fatores:

- Rigidez dos parafusos/porcas
- Tipo da base (anilha, mola de disco, vedação)
- Rigidez do material a ser aparafusado
- Condições de lubrificação na união aparafusada

Respetivamente resultam as seguintes aplicações:

- **Assento duro** para aparafusamentos de metal sobre metal, utilizando anilhas. O máximo binário é alcançado após um período de percussão relativamente curto (decurso íngreme da linha de característica). Um período de percussão desnecessária só causa danos na máquina.

- **Assento elástico** para aparafusamentos de metal sobre metal, no entanto utilizando arruelas de pressão, molas de disco, cavilha roscada nas pontas ou parafusos/porcas com assento cônico, assim como ao utilizar extensões.

- **Assento macio** para aparafusamentos de metal sobre madeira, ou ao utilizar discos de chumbo ou de fibra como base.

Para o assento elástico ou para o assento macio o máximo binário de aperto é inferior ao do para o assento duro. Também é necessário um período de percussão bem mais longo.

Valores de referência para binário de aperto máximos de parafusos

Indicações em Nm, calculado a partir do perfil de tensão; desgaste do limite da distância 90 % (com coeficiente de fricção $\mu_{\text{total}} = 0,12$). Como controlo, o binário de aperto deve sempre ser controlado com uma chave dinamométrica.

Classes de resistência conforme DIN 267	Parafusos padrão							Parafusos altamente resistentes			
	3.6	4.6	5.6	4.8	6.6	5.8	6.8	6.9	8.8	10.9	12.9
M6	2.71	3.61	4.52	4.8	5.42	6.02	7.22	8.13	9.7	13.6	16.2
M8	6.57	8.7	11	11.6	13.1	14.6	17.5	19.7	23	33	39
M10	13	17.5	22	23	26	29	35	39	47	65	78
M12	22.6	30	37.6	40	45	50	60	67	80	113	135
M14	36	48	60	65	72	79	95	107	130	180	215
M16	55	73	92	98	110	122	147	165	196	275	330

Recomendações

Antes de atarraxar parafusos, mais longos e maiores, em materiais duros, deveria furar com o diâmetro do núcleo da rosca até aproximadamente 2/3 do comprimento do parafuso.

Nota: Observe que não haja a possibilidade de peças metálicas pequenas penetrarem na ferramenta elétrica.

Indicações sobre o manuseio ideal da bateria

Proteger a bateria contra humidade e água.

Armazene a bateria apenas na faixa de temperatura de -20°C a 50°C . Por exemplo, não deixe a bateria dentro do automóvel no verão.

Limpar de vez em quando as aberturas de ventilação da bateria com um pincel macio, limpo e seco.

Um tempo de funcionamento reduzido após o carregamento indica que a bateria está gasta e que deve ser substituído.

Observe as indicações sobre a eliminação de forma ecológica.

Manutenção e assistência técnica

Manutenção e limpeza

- ▶ **Limpe com regularidade as aberturas de ventilação da sua ferramenta elétrica.** A ventoinha do motor puxa pó para dentro da carcaça, e uma grande quantidade de pó de metal pode causar perigos elétricos.
- ▶ **A bateria deverá ser retirada antes de todos os trabalhos na ferramenta elétrica (p. ex. manutenção, troca de ferramenta etc.) e antes de transportar ou de armazenar a mesma.** Há perigo de ferimentos se o interruptor de ligar/desligar for acionado involuntariamente.

- ▶ **Manter a ferramenta elétrica e as aberturas de ventilação sempre limpas, para trabalhar bem e de forma segura.**

Serviço pós-venda e aconselhamento

O serviço pós-venda responde às suas perguntas a respeito de serviços de reparação e de manutenção do seu produto, assim como das peças sobressalentes. Desenhos explodidos e informações acerca das peças sobressalentes também em: www.bosch-pt.com

A nossa equipa de consultores Bosch esclarece com prazer todas as suas dúvidas a respeito dos nossos produtos e acessórios.

Indique para todas as questões e encomendas de peças sobressalentes a referência de 10 dígitos de acordo com a placa de características do produto.

Brasil

Robert Bosch Ltda. – Divisão de Ferramentas Elétricas
Rodovia Anhanguera, Km 98 - Parque Via Norte
13065-900, CP 1195
Campinas, São Paulo
Tel.: 0800 7045 446
www.bosch.com.br/contato

Encontra outros endereços da assistência técnica em:
www.bosch-pt.com/serviceaddresses

Transporte

As baterias de íons de lítio recomendadas estão sujeitas ao direito de materiais perigosos. As baterias podem ser transportadas na rua pelo utilizador, sem mais obrigações. Na expedição por terceiros (por ex: transporte aéreo ou expedição), devem ser observadas as especiais exigências quanto à embalagem e à designação. Neste caso é

necessário consultar um especialista de materiais perigosos ao preparar a peça a ser trabalhada.

Só enviar baterias se a carcaça não estiver danificada. Colar contactos abertos e embalar a bateria de modo que não possa se movimentar dentro da embalagem. Por favor observe também eventuais diretivas nacionais suplementares.

Eliminação



As ferramentas eléctricas, as baterias, os acessórios e as embalagens devem ser enviados a uma reciclagem ecológica de matéria prima.



Não deitar ferramentas eléctricas e baterias/pilhas no lixo doméstico!

Baterias/pilhas:

Lítio:

Observar as indicações no capítulo Transporte (ver "Transporte", Página 22).

- **Mantenga alejados a los niños y otras personas de su puesto de trabajo al emplear la herramienta eléctrica.** Una distracción le puede hacer perder el control sobre la herramienta eléctrica.

Seguridad eléctrica

- **El enchufe de la herramienta eléctrica debe corresponder a la toma de corriente utilizada. No es admisible modificar el enchufe en forma alguna. No emplear adaptadores en herramientas eléctricas dotadas con una toma de tierra.** Los enchufes sin modificar adecuados a las respectivas tomas de corriente reducen el riesgo de una descarga eléctrica.
- **Evite que su cuerpo toque partes conectadas a tierra como tuberías, radiadores, cocinas y refrigeradores.** El riesgo a quedar expuesto a una sacudida eléctrica es mayor si su cuerpo tiene contacto con tierra.
- **No exponga la herramienta eléctrica a la lluvia o a condiciones húmedas.** Existe el peligro de recibir una descarga eléctrica si penetran ciertos líquidos en la herramienta eléctrica.
- **No abuse del cable de red. No utilice el cable de red para transportar o colgar la herramienta eléctrica, ni tire de él para sacar el enchufe de la toma de corriente. Mantenga el cable de red alejado del calor, aceite, esquinas cortantes o piezas móviles.** Los cables de red dañados o enredados pueden provocar una descarga eléctrica.
- **Al trabajar con la herramienta eléctrica a la intemperie utilice solamente cables de prolongación apropiados para su uso al aire libre.** La utilización de un cable de prolongación adecuado para su uso en exteriores reduce el riesgo de una descarga eléctrica.
- **Si fuese imprescindible utilizar la herramienta eléctrica en un entorno húmedo, es necesario conectarla a través de un dispositivo de corriente residual (RCD) de seguridad (fusible diferencial).** La aplicación de un fusible diferencial reduce el riesgo a exponerse a una descarga eléctrica.

Seguridad de personas

- **Esté atento a lo que hace y emplee sentido común cuando utilice una herramienta eléctrica. No utilice la herramienta eléctrica si estuviese cansado, ni tampoco después de haber consumido drogas, alcohol o medicamentos.** El no estar atento durante el uso de la herramienta eléctrica puede provocarle serias lesiones.
- **Utilice un equipo de protección personal. Utilice siempre una protección para los ojos.** El riesgo a lesionarse se reduce considerablemente si se utiliza un equipo de protección adecuado como una mascarilla antipolvo, zapatos de seguridad con suela antideslizante, casco, o protectores auditivos.
- **Evite una puesta en marcha involuntaria. Asegurarse de que la herramienta eléctrica esté desconectada antes de conectarla a la toma de corriente y/o al montar el acumulador, al recogerla y al transportarla.** Si transporta la herramienta eléctrica sujetándola por el interrup-

Español

Indicaciones de seguridad

Indicaciones generales de seguridad para herramientas eléctricas

⚠ ADVERTENCIA Lea íntegramente las advertencias de peligro, las instrucciones, las ilustraciones y las especificaciones entregadas con esta herramienta eléctrica. En caso de no atenerse a las instrucciones siguientes, ello puede ocasionar una descarga eléctrica, un incendio y/o una lesión grave.

Guardar todas las advertencias de peligro e instrucciones para futuras consultas.

El término "herramienta eléctrica" empleado en las siguientes advertencias de peligro se refiere a herramientas eléctricas de conexión a la red (con cable de red) y a herramientas eléctricas accionadas por acumulador (sin cable de red).

Seguridad del puesto de trabajo

- **Mantenga el área de trabajo limpia y bien iluminada.** Las áreas desordenadas u oscuras pueden provocar accidentes.
- **No utilice herramientas eléctricas en un entorno con peligro de explosión, en el que se encuentren combustibles líquidos, gases o material en polvo.** Las herramientas eléctricas producen chispas que pueden llegar a inflamar los materiales en polvo o vapores.

tor de conexión/desconexión, o si alimenta la herramienta eléctrica estando ésta conectada, ello puede dar lugar a un accidente.

- ▶ **Retire las herramientas de ajuste o llaves fijas antes de conectar la herramienta eléctrica.** Una herramienta de ajuste o llave fija colocada en una pieza rotante puede producir lesiones al poner a funcionar la herramienta eléctrica.
- ▶ **Evite posturas arriesgadas. Trabaje sobre una base firme y mantenga el equilibrio en todo momento.** Ello le permitirá controlar mejor la herramienta eléctrica en caso de presentarse una situación inesperada.
- ▶ **Lleve puesta una vestimenta de trabajo adecuada. No utilice vestimenta amplia ni joyas. Mantenga su pelo y vestimenta alejados de las piezas móviles.** La vestimenta suelta, el pelo largo y las joyas se pueden enganchar con las piezas en movimiento.
- ▶ **Si se proporcionan dispositivos para la conexión de las instalaciones de extracción y recogida de polvo, asegúrese que éstos estén conectados y que sean utilizados correctamente.** El empleo de estos equipos reduce los riesgos derivados del polvo.
- ▶ **No permita que la familiaridad ganada por el uso frecuente de herramientas eléctricas lo deje caer en la complacencia e ignore las normas de seguridad de herramientas.** Una acción negligente puede causar lesiones graves en una fracción de segundo.

Uso y trato cuidadoso de herramientas eléctricas

- ▶ **No sobrecargue la herramienta eléctrica. Utilice la herramienta eléctrica adecuada para su aplicación.** Con la herramienta eléctrica adecuada podrá trabajar mejor y más seguro dentro del margen de potencia indicado.
- ▶ **No utilice la herramienta eléctrica si el interruptor está defectuoso.** Las herramientas eléctricas que no se puedan conectar o desconectar son peligrosas y deben hacerse reparar.
- ▶ **Saque el enchufe de la red y/o retire el acumulador desmontable de la herramienta eléctrica, antes de realizar un ajuste, cambiar de accesorio o al guardar la herramienta eléctrica.** Esta medida preventiva reduce el riesgo a conectar accidentalmente la herramienta eléctrica.
- ▶ **Guarde las herramientas eléctricas fuera del alcance de los niños. No permita la utilización de la herramienta eléctrica a aquellas personas que no estén familiarizadas con su uso o que no hayan leído estas instrucciones.** Las herramientas eléctricas utilizadas por personas inexpertas son peligrosas.
- ▶ **Cuide las herramientas eléctricas y los accesorios. Controle la alineación de las piezas móviles, rotura de piezas y cualquier otra condición que pudiera afectar el funcionamiento de la herramienta eléctrica. En caso de daño, la herramienta eléctrica debe repararse antes de su uso.** Muchos de los accidentes se deben a herramientas eléctricas con un mantenimiento deficiente.

- ▶ **Mantenga los útiles limpios y afilados.** Los útiles mantenidos correctamente se dejan guiar y controlar mejor.
- ▶ **Utilice la herramienta eléctrica, los accesorios, los útiles, etc. de acuerdo a estas instrucciones, considerando en ello las condiciones de trabajo y la tarea a realizar.** El uso de herramientas eléctricas para trabajos diferentes de aquellos para los que han sido concebidas puede resultar peligroso.
- ▶ **Mantenga las empuñaduras y las superficies de las empuñaduras secas, limpias y libres de aceite y grasa.** Las empuñaduras y las superficies de las empuñaduras resbaladizas no permiten un manejo y control seguro de la herramienta eléctrica en situaciones imprevistas.

Trato y uso cuidadoso de herramientas accionadas por acumulador

- ▶ **Solamente recargar los acumuladores con los cargadores especificados por el fabricante.** Existe un riesgo de incendio al intentar cargar acumuladores de un tipo diferente al previsto para el cargador.
- ▶ **Utilice las herramientas eléctricas sólo con los acumuladores específicamente designados.** El uso de otro tipo de acumuladores puede provocar daños e incluso un incendio.
- ▶ **Si no utiliza el acumulador, guárdelo separado de objetos metálicos, como clips de papel, monedas, llaves, clavos, tornillos u otros objetos metálicos pequeños que pudieran puentear sus contactos.** El cortocircuito de los contactos del acumulador puede causar quemaduras o un incendio.
- ▶ **La utilización inadecuada del acumulador puede provocar fugas de líquido. Evite el contacto con él. En caso de un contacto accidental, enjuagar el área afectada con abundante agua. En caso de un contacto con los ojos, recurra además inmediatamente a ayuda médica.** El líquido del acumulador puede irritar la piel o producir quemaduras.
- ▶ **No emplee acumuladores o útiles dañados o modificados.** Los acumuladores dañados o modificados pueden comportarse en forma imprevisible y producir un fuego, explosión o peligro de lesión.
- ▶ **No exponga un paquete de baterías o una herramienta eléctrica al fuego o a una temperatura demasiado alta.** La exposición al fuego o a temperaturas sobre 130 °C puede causar una explosión.
- ▶ **Siga todas las instrucciones para la carga y no cargue nunca el acumulador o la herramienta eléctrica a una temperatura fuera del margen correspondiente especificado en las instrucciones.** Una carga inadecuada o a temperaturas fuera del margen especificado puede dañar el acumulador y aumentar el riesgo de incendio.

Servicio

- ▶ **Únicamente deje reparar su herramienta eléctrica por un experto cualificado, empleando exclusivamente piezas de repuesto originales.** Solamente así se mantiene la seguridad de la herramienta eléctrica.

- **No repare los acumuladores dañados.** El mantenimiento de los acumuladores sólo debe ser realizado por el fabricante o un servicio técnico autorizado.



Proteja la batería del calor excesivo, además de, p. ej., una exposición prolongada al sol, la suciedad, el fuego, el agua o la humedad. Existe riesgo de explosión y cortocircuito.

Instrucciones de seguridad para atornilladoras de impacto

- **Sujete la herramienta eléctrica por las superficies de agarre aisladas, al realizar trabajos en los que el portaútiles pueda llegar a tocar conductores eléctricos ocultos.** En el caso del contacto del portaútiles con conductores "bajo tensión", las partes metálicas expuestas de la herramienta eléctrica pueden quedar "bajo tensión" y dar al operador una descarga eléctrica.
- **Utilice unos aparatos de exploración adecuados para detectar conductores o tuberías ocultas, o consulte a sus compañías abastecedoras.** El contacto con conductores eléctricos puede provocar un incendio o una electrocución. Al dañar una tubería de gas puede producirse una explosión. La perforación de una tubería de agua puede causar daños materiales.
- **Sostenga firmemente la herramienta eléctrica.** Al apretar y aflojar tornillos, pueden presentarse pares de reacción momentáneos.
- **Asegure la pieza de trabajo.** Una pieza de trabajo fijada con unos dispositivos de sujeción, o en un tornillo de banco, se mantiene sujeta de forma mucho más segura que con la mano.
- **Espera a que se haya detenido la herramienta eléctrica antes de depositarla.** El útil puede engancharse y hacerle perder el control sobre la herramienta eléctrica.
- **En caso de daño y uso inapropiado del acumulador pueden emanar vapores. El acumulador se puede quemar o explotar.** En tal caso, busque un entorno con aire fresco y acuda a un médico si nota molestias. Los vapores pueden llegar a irritar las vías respiratorias.
- **No intente abrir el acumulador.** Podría provocar un cortocircuito.
- **Mediante objetos puntiagudos, como p. ej. clavos o destornilladores, o por influjo de fuerza exterior se puede dañar el acumulador.** Se puede generar un cortocircuito interno y el acumulador puede arder, humear, explotar o sobrecalentarse.
- **Utilice el acumulador sólo en productos del fabricante.** Solamente así queda protegido el acumulador contra una sobrecarga peligrosa.

Descripción del producto y servicio



Lea íntegramente estas indicaciones de seguridad e instrucciones. Las faltas de observación de las indicaciones de seguridad y de las instrucciones pueden causar descargas eléctricas, incendios y/o lesiones graves.

Por favor, observe las ilustraciones en la parte inicial de las instrucciones de servicio.

Utilización reglamentaria

La herramienta eléctrica ha sido diseñada para enroscar y aflojar tornillos, y para apretar y aflojar tuercas del tamaño especificado.

Componentes principales

La numeración de los componentes representados se refiere a la imagen de la herramienta eléctrica en la página ilustrada.

- (1) Alojamiento del útil
 - (2) Casquillo de enclavamiento
 - (3) Selector de velocidad
 - (4) Alojamiento para asa de transporte
 - (5) Tecla de desenclavamiento del acumulador
 - (6) Acumulador
 - (7) Selector de sentido de giro
 - (8) Interruptor de conexión/desconexión
 - (9) Bombilla "PowerLight"
 - (10) Empuñadura (zona de agarre aislada)
 - (11) Bit doble^{a)}
 - (12) Portapuntas recambiables universal^{a)}
 - (13) Puntas recambiables de destornillador^{a)}
 - (14) Útil (p. ej. inserto de destornillador)^{a)}
- a) **Los accesorios descritos e ilustrados no corresponden al material que se adjunta de serie. La gama completa de accesorios opcionales se detalla en nuestro programa de accesorios.**

Datos técnicos

Atornilladora de impacto accionada por acumulador		GDR 120-LI	GDS 120-LI
Número de artículo		3 601 JF0 0..	3 601 JF0 1..
Tensión nominal	V=	12	12
Número de revoluciones en vacío ^{a)}			
- Ajuste 1	min ⁻¹	0-1300	0-1300
- Ajuste 2	min ⁻¹	0-2600	0-2600

Atornilladora de impacto accionada por acumulador		GDR 120-LI	GDS 120-LI
Número de impactos ^{A)}			
– Ajuste 1	min ⁻¹	0–1500	0–1500
– Ajuste 2	min ⁻¹	0–2700	0–2700
Máx. par ^{A)} de atornillado duro según ISO 5393	Nm	100	105
Ø de tornillos de máquina	mm	M4–M12	M4–M12
Ø máx. de tornillos	mm	8	8
Portaherramientas		Hexágono interior de ¼"	■ 3/8"
Peso según EPTA-Procedure 01:2014	kg	1,1	1,1
Temperatura ambiente recomendada durante la carga	°C	0 ... +35	0 ... +35
Temperatura ambiente permitida durante el funcionamiento ^{B)} y en el almacenamiento	°C	-20 ... +50	-20 ... +50
Acumuladores recomendados		GBA 12V ...	GBA 12V ...
Cargadores recomendados		GAL 12 ... GAX 18 ...	GAL 12 ... GAX 18 ...

A) Medido a 20–25 °C con acumulador **GBA 12V 2.0 Ah**.

B) Potencia limitada a temperaturas < 0 °C

Los valores pueden variar dependiendo del producto y están sujetos a la aplicación y a las condiciones medioambientales. Más información en www.bosch-professional.com/wac.

Información sobre ruidos y vibraciones

Valores de emisión de ruidos determinados según **EN 62841-2-2**.

El nivel de ruidos valorado con A de la herramienta eléctrica asciende típicamente a: Nivel de presión acústica **92 dB(A)**; nivel de potencia acústica **103 dB(A)**. Inseguridad K = **3 dB**.

¡Utilice protección para los oídos!

Valores totales de vibraciones a_h (suma de vectores de tres direcciones) e inseguridad K determinados según **EN 62841-2-2**:

Apriete de tornillos y tuercas del tamaño máximo admisible: $a_h = 9,5 \text{ m/s}^2$, $K = 1,5 \text{ m/s}^2$

El nivel de vibraciones y el valor de emisiones de ruidos indicados en estas instrucciones han sido determinados según un procedimiento de medición normalizado y pueden servir como base de comparación con otras herramientas eléctricas. También son adecuados para estimar provisionalmente la emisión de vibraciones y ruidos.

El nivel de vibraciones y el valor de emisiones de ruidos indicados han sido determinados para las aplicaciones principales de la herramienta eléctrica. Por ello, el nivel de vibraciones y el valor de emisiones de ruidos pueden ser diferentes si la herramienta eléctrica se utiliza para otras aplicaciones, con útiles diferentes, o si el mantenimiento de la misma fuese deficiente. Ello puede suponer un aumento drástico de la emisión de vibraciones y de ruidos durante el tiempo total de trabajo.

Para determinar con exactitud las emisiones de vibraciones y de ruidos, es necesario considerar también aquellos tiempos en los que el aparato esté desconectado, o bien, esté en funcionamiento, pero sin ser utilizado realmente. Ello puede

suponer una disminución drástica de las emisiones de vibraciones y de ruidos durante el tiempo total de trabajo.

Fije unas medidas de seguridad adicionales para proteger al usuario de los efectos por vibraciones, como por ejemplo: Mantenimiento de la herramienta eléctrica y de los útiles, conservar calientes las manos, organización de las secuencias de trabajo.

Montaje

- **Desmonte el acumulador antes de manipular la herramienta eléctrica (p. ej. en el mantenimiento, cambio de útil, etc.) así como al transportarla y guardarla.** En caso contrario podría accidentarse al accionar fortuitamente el interruptor de conexión/desconexión.

Carga del acumulador

- **Utilice únicamente los cargadores que se enumeran en los datos técnicos.** Solamente estos cargadores han sido especialmente adaptados a los acumuladores de iones de litio empleados en su herramienta eléctrica.

Indicación: El acumulador se suministra parcialmente cargado. Con el fin de obtener la plena potencia del acumulador, antes de su primer uso, cárguelo completamente en el cargador.

El acumulador de iones de litio puede recargarse siempre que se quiera, sin que ello merme su vida útil. Una interrupción del proceso de carga no afecta al acumulador.

El acumulador de iones de litio está protegido contra descarga total gracias al sistema de protección electrónica de células "Electronic Cell Protection (ECP)". Si el acumulador está

descargado, un circuito de protección se encarga de desconectar la herramienta eléctrica. El útil deja de moverse.

- **En caso de una desconexión automática de la herramienta eléctrica no mantenga accionado el interruptor de conexión/desconexión.** El acumulador podría dañarse.

Retirar el acumulador (ver figura A)

Para la extracción del acumulador (6), presione la tecla de desenclavamiento (5) y tire hacia abajo el acumulador de la herramienta eléctrica. **No proceda con brusquedad.**

Cambio de útil

- **Desmante el acumulador antes de manipular la herramienta eléctrica (p. ej. en el mantenimiento, cambio de útil, etc.) así como al transportarla y guardarla.** En caso contrario podría accidentarse al accionar fortuitamente el interruptor de conexión/desconexión.

GDR 120-LI:

Colocar el útil (ver figura B)

Tire hacia delante el casquillo de enclavamiento (2), introduzca hasta el tope el útil en el portaherramientas (1) y suelte de nuevo el casquillo de enclavamiento (2), para fijar el útil.

Las puntas de atornillar (13) las puede utilizar empleando un soporte universal de puntas de atornillar con retención por bola (12).

Desmontaje del útil

Tire hacia delante el casquillo de enclavamiento (2) y retire el útil.

GDS 120-LI: (ver figura C)

- **Al montar el útil preste atención a que éste quede sujeto de forma segura en el portaútiles.** Si el útil no va sujeto de forma segura en el portaútiles puede llegar a salirse del mismo durante el proceso de atornillado.

Desplace el útil (14) sobre el cuadrado del portaútiles (1). Debido al sistema, el útil (14) queda con algo de juego en el portaútiles (1); esto no afecta la función/seguridad.

Operación

Modo de funcionamiento

El portaherramientas (1) con el útil es accionado por un motor eléctrico a través de un engranaje y un mecanismo percutor.

El proceso de trabajo comprende dos fases:

atornillar y apretar (mecanismo percutor en acción).

El mecanismo percutor se activa en el momento de presentarse un par opoente en la unión atornillada con la consecuente solicitud del motor. El mecanismo percutor transforma entonces el par del motor en impactos rotativos uniformes. Al aflojar tornillos o tuercas se invierte este proceso.

Puesta en marcha

Montaje del acumulador

Colocar el selector de sentido de giro (7) en el centro, para evitar una conexión involuntaria. Coloque el acumulador (6) cargado en la empuñadura, hasta que encastre perceptiblemente y quede enrasado en la empuñadura.

Ajustar el sentido de giro (ver figura D)

Con el selector de sentido de giro (7) puede modificar el sentido de giro de la herramienta eléctrica. Sin embargo, esto no es posible con el interruptor de conexión/desconexión (8) presionado.

Giro a la derecha: Para enrosca tornillos y apretar tuercas presione el selector de sentido de giro (7) hacia la izquierda, hasta el tope.

Giro a la izquierda: Para soltar o desenroscar tornillos y tuercas presione el selector de sentido de giro (7) hacia la derecha, hasta el tope.

Selector de velocidad mecánico

- **Accione el selector de velocidad (3) sólo con la herramienta eléctrica en reposo.**

Con el selector de velocidad (3) se pueden preseleccionar 2 márgenes de revoluciones.

Velocidad I:

Campo de bajas revoluciones; para atornillar o realizar perforaciones grandes.

Velocidad II:

Campo de altas revoluciones; para perforaciones pequeñas. Si el selector de velocidad (3) no se deja girar hasta el tope, gire un poco el husillo de accionamiento con la broca.

Conexión/desconexión

Para la **puesta en marcha** de la herramienta eléctrica, accionar y mantener en esa posición el interruptor de conexión/desconexión (8).

La lámpara (9) se enciende con el interruptor de conexión/desconexión (8) leve o totalmente oprimido y posibilita la iluminación de la zona de trabajo con condiciones de luz desfavorables.

Para **desconectar** la herramienta eléctrica, suelte el interruptor de conexión/desconexión (8).

Ajuste de las revoluciones

El número de revoluciones de la herramienta eléctrica conectada lo puede regular de modo continuo, según la presión ejercida sobre el interruptor de conexión/desconexión (8).

Una leve presión sobre el interruptor de conexión/desconexión (8) origina un número de revoluciones bajo. Incrementando paulatinamente la presión van aumentando las revoluciones en igual medida.

Protección contra sobrecarga térmica

La herramienta eléctrica no puede sobrecargarse si se realiza un uso apropiado y conforme a lo descrito. Si se carga en exceso la herramienta o la temperatura del acumulador se sale del margen permitido, el sistema electrónico desconec-

ta la herramienta eléctrica, hasta que ésta se encuentre de nuevo en el margen óptimo de temperatura de servicio.

Instrucciones para la operación

► **Solamente aplique la herramienta eléctrica desconectada contra la tuerca o tornillo.** Los útiles en rotación pueden resbalar.

El par de giro resultante depende del tiempo de actuación de los impactos. El par de giro máximo obtenido resulta de la acumulación de todos los pares de giro individuales conseguidos en cada impacto. El máximo par de apriete se alcanza tras un tiempo de impacto de 6–10 segundos. Después de este tiempo el par de apriete solamente aumenta levemente. El tiempo de impacto deberá determinarse probando para cada par de apriete precisado. El par de apriete obtenido deberá comprobarse siempre con una llave dinamométrica.

Uniones atornillada con asiento duro, elástico o blando

Al medirse y registrarse en una gráfica los pares de apriete obtenidos en función del número de impactos, se obtiene la curva del transcurso del par. El punto de máxima amplitud en la curva indica el par máximo obtenible, y la pendiente de la misma, el tiempo precisado para ello.

La evolución de la curva del par depende de los siguientes factores:

- Resistencia de los tornillos/tuercas
- Tipo del elemento de asiento (arandela, resorte de disco, junta)
- Resistencia del material a atornillar
- Condiciones de lubricación de la unión atornillada

De ello resultan los siguientes tipos de asiento:

- **Asiento rígido**, se obtiene al atornillar metal con metal en combinación con arandelas planas. Tras un tiempo de impacto relativamente corto se alcanza el par de giro máximo (pendiente alta). Un tiempo de impacto excesivo no incrementa el par y perjudica a la máquina.
- **Asiento elástico**, se obtiene al atornillar metal con metal empleando anillos elásticos, arandelas cónicas, espárragos o tornillos/tuercas de asiento cónico, y al utilizar prolongadores del útil.
- **Asiento blando**, se obtiene al atornillar, p. ej., metal con madera, o al utilizar arandelas de plomo o fibra como base de asiento.

El par de apriete máximo obtenible en asientos elásticos o blandos es inferior a aquel que puede conseguirse en asientos rígidos. Asimismo se requiere un intervalo de impacto bastante mayor.

Valores de orientación para máximos pares de apriete de tornillos

Valores indicados en Nm, calculados con la sección en tensión aprovechando el límite de elasticidad hasta el 90 % (con coeficiente de fricción $\mu_{\text{tot}} = 0,12$). El par de apriete obtenido deberá comprobarse siempre con una llave dinamométrica.

Clases de resistencia según DIN 267	Tornillos estándar							Tornillos de alta resistencia			
	3.6	4.6	5.6	4.8	6.6	5.8	6.8	6.9	8.8	10.9	12.9
M6	2.71	3.61	4.52	4.8	5.42	6.02	7.22	8.13	9.7	13.6	16.2
M8	6.57	8.7	11	11.6	13.1	14.6	17.5	19.7	23	33	39
M10	13	17.5	22	23	26	29	35	39	47	65	78
M12	22.6	30	37.6	40	45	50	60	67	80	113	135
M14	36	48	60	65	72	79	95	107	130	180	215
M16	55	73	92	98	110	122	147	165	196	275	330

Consejos prácticos

Antes de enroscar tornillos grandes y largos en materiales duros deberá taladrarse un agujero con el diámetro del núcleo de la rosca a una profundidad aprox. correspondiente a 2/3 de la longitud del tornillo.

Indicación: Preste atención a que no penetren piezas pequeñas metálicas en la herramienta eléctrica.

Indicaciones para el trato óptimo del acumulador

Proteja el acumulador de la humedad y del agua.

Únicamente almacene el acumulador en el margen de temperatura desde –20 °C hasta 50 °C. P. ej., no deje el acumulador en el coche en verano.

Limpie de vez en cuando las rejillas de refrigeración del acumulador con un pincel suave, limpio y seco.

Si después de una recarga, el tiempo de funcionamiento del acumulador fuese muy reducido, ello es señal de que éste está agotado y deberá sustituirse.

Observe las indicaciones referentes a la eliminación.

Mantenimiento y servicio

Mantenimiento y limpieza

► **Limpie regularmente las ranuras de ventilación de su herramienta eléctrica.** El ventilador del motor aspira polvo hacia el interior de la carcasa, por lo que, en caso de una acumulación fuerte de polvo metálico, ello puede provocarle una descarga eléctrica.

► **Desmunte el acumulador antes de manipular la herramienta eléctrica (p. ej. en el mantenimiento, cambio de útil, etc.) así como al transportarla y guardarla.** En

caso contrario podría accidentarse al accionar fortuitamente el interruptor de conexión/desconexión.

- **Mantenga limpia la herramienta eléctrica y las rejillas de refrigeración para trabajar con eficacia y seguridad.**

Servicio técnico y atención al cliente

El servicio técnico le asesorará en las consultas que pueda Ud. tener sobre la reparación y mantenimiento de su producto, así como sobre piezas de recambio. Las representaciones gráficas tridimensionales e informaciones de repuestos se encuentran también bajo: www.bosch-pt.com

El equipo asesor de aplicaciones de Bosch le ayuda gustosamente en caso de preguntas sobre nuestros productos y sus accesorios.

Para cualquier consulta o pedido de piezas de repuesto es imprescindible indicar el nº de artículo de 10 dígitos que figura en la placa de características del producto.

México

Robert Bosch S. de R.L. de C.V.
Calle Robert Bosch No. 405
C.P. 50071 Zona Industrial, Toluca - Estado de México
Tel.: (52) 55 528430-62
Tel.: 800 627 1286
www.boschherramientas.com.mx

Direcciones de servicio adicionales se encuentran bajo:
www.bosch-pt.com/serviceaddresses

Transporte

Los acumuladores de iones de litio recomendados están sujetos a los requerimientos de la ley de mercancías peligrosas. Los acumuladores pueden ser transportados por carretera por el usuario sin más imposiciones.

En el envío por terceros (p.ej., transporte aéreo o por agencia de transportes) deberán considerarse las exigencias especiales en cuanto a su embalaje e identificación. En este caso deberá recurrirse a los servicios de un experto en mercancías peligrosas al preparar la pieza para su envío.

Únicamente envíe acumuladores si su carcasa no está dañada. Si los contactos no van protegidos cúbralos con cinta adhesiva y embale el acumulador de manera que éste no se pueda mover dentro del embalaje. Observe también las prescripciones adicionales que pudieran existir al respecto en su país.

Eliminación



Las herramientas eléctricas, acumuladores, accesorios y embalajes deberán someterse a un proceso de recuperación que respete el medio ambiente.



¡No arroje las herramientas eléctricas, acumuladores o pilas a la basura!

Acumuladores/pilas:

Iones de Litio:

Por favor, observe las indicaciones en el apartado Transporte (ver "Transporte", Página 29).

NOM

El símbolo es solamente válido, si también se encuentra sobre la placa de características del producto/fabricado.

Português do Brasil

Indicações de segurança

Instruções gerais de segurança para ferramentas elétricas

AVISO

Leia todas as indicações de segurança, instruções, ilustrações e especificações fornecidas com esta ferramenta

elétrica. O desrespeito das instruções apresentadas abaixo poderá resultar em choque elétrico, incêndio e/ou ferimentos graves.

Guarde todas as advertências e instruções para futura referência.

O termo "ferramenta elétrica" em todos os avisos listados abaixo referem-se a ferramenta alimentada através de seu cordão de alimentação ou a ferramenta operada a bateria (sem cordão).

Segurança da área de trabalho

- **Mantenha a área de trabalho limpa e bem iluminada.** As áreas de trabalho desarrumadas ou escuras podem levar a acidentes.
- **Não opere as ferramentas elétricas em atmosferas explosivas, ou seja, na presença de líquidos, gases ou pó inflamáveis.** As ferramentas criam faíscas que podem inflamar a poeira ou os vapores.
- **Mantenha as crianças e outras pessoas afastadas da ferramenta elétrica durante o uso.** As distrações podem resultar na perda do controle.

Segurança elétrica

- **Os plugues da ferramenta devem ser compatíveis com as tomadas. Nunca modifique o plugue. Não use plugues de adaptador com ferramentas aterradas.** Os plugues sem modificações aliados a utilização de tomadas compatíveis reduzem o risco de choque elétrico.
- **Evite o contato do corpo com superfícies aterradas, como tubos, aquecedores, fogões e geladeiras.** Há um risco elevado de choque elétrico se seu corpo estiver aterrado.

- ▶ **Mantenha as ferramentas elétricas afastadas da chuva ou umidade.** A entrada de água em uma ferramenta elétrica aumenta o risco de choque elétrico.
- ▶ **Não use o cabo para outras finalidades. Jamais use o cabo para transportar, puxar ou desconectar a ferramenta elétrica. Mantenha o cabo afastado do calor, do óleo, de arestas afiadas ou de partes móveis.** Os cabos danificados ou emaranhados aumentam o risco de um choque elétrico.
- ▶ **Ao operar uma ferramenta elétrica ao ar livre, use um cabo de extensão adequado para áreas exteriores.** O uso de um cabo de extensão apropriado para áreas exteriores reduz o risco de choque elétrico.
- ▶ **Se não for possível evitar o funcionamento da ferramenta elétrica em áreas úmidas, utilizar uma alimentação protegida por um dispositivo de corrente diferencial residual (DR).** O uso de um DR reduz o risco de um choque elétrico.

Segurança pessoal

- ▶ **Fique atento, olhe o que está fazendo e use o bom senso ao operar uma ferramenta. Não use uma ferramenta elétrica quando estiver cansado ou sob a influência de drogas, álcool ou medicamentos.** Um momento de desatenção enquanto opera uma ferramenta pode resultar em graves ferimento pessoal.
- ▶ **Use equipamento de proteção individual. Use sempre óculos de proteção.** O uso de equipamento de proteção individual, como máscara de proteção contra poeira, sapatos de segurança antiderrapantes, capacete de segurança ou proteção auricular, usado nas condições adequadas irá reduzir o risco de ferimentos pessoais.
- ▶ **Evite a partida não intencional. Assegure-se de que o interruptor está na posição de desligado antes de conectar o plugue na tomada e/ou bateria, pegar ou carregar a ferramenta.** Carregar as ferramentas com o seu dedo no interruptor ou conectar as ferramentas que apresentam interruptor na posição "ligado", são convites a acidentes.
- ▶ **Remova qualquer ferramenta ou chave de ajuste antes de ligar a ferramenta elétrica.** Uma ferramenta ou chave ainda ligada a uma parte rotativa da ferramenta elétrica pode resultar em ferimentos pessoais.
- ▶ **Evite uma posição anormal. Mantenha uma posição firme e mantenha sempre o equilíbrio.** Desta forma é mais fácil controlar a ferramenta elétrica em situações inesperadas.
- ▶ **Use vestuário apropriado. Não use roupa larga nem joias. Mantenha seus cabelos e roupas afastados de partes móveis.** As roupas largas, joias ou cabelos longos podem ser agarrados por partes móveis.
- ▶ **Se for possível montar dispositivos de aspiração ou de coleta, assegure-se de que são conectados e usados corretamente.** O uso de um dispositivo de coleta de poeira pode reduzir os riscos associados a poeiras.
- ▶ **Não deixe que a familiaridade resultante do uso frequente de ferramentas permita que você se torne**

complacente e ignore os princípios de segurança da ferramenta. Uma ação descuidada pode causar ferimentos graves numa fração de segundo.

Uso e manuseio cuidadoso da ferramenta elétrica

- ▶ **Não sobrecarregue a ferramenta elétrica. Use a ferramenta elétrica correta para a sua aplicação.** É melhor e mais seguro trabalhar com a ferramenta elétrica apropriada na área de potência para a qual foi projetada.
 - ▶ **Não use a ferramenta elétrica se o interruptor estiver defeituoso.** Qualquer ferramenta elétrica que não pode mais ser controlada com o interruptor é perigosa e deve ser reparada.
 - ▶ **Desconecte o plugue da alimentação e/ou remova a bateria, se removível, da ferramenta elétrica antes de efetuar ajustes, trocar acessórios ou guardar as ferramentas elétricas.** Tais medidas de segurança preventivas reduzem o risco de se ligar a ferramenta acidentalmente.
 - ▶ **Guarde as ferramentas elétricas não utilizadas fora do alcance das crianças e não permita que as pessoas que não estejam familiarizadas com a ferramenta elétrica ou com essas instruções usem a ferramenta elétrica.** As ferramentas elétricas são perigosas nas mãos de usuários não treinados.
 - ▶ **Trate as ferramentas elétricas e acessórios com cuidado. Cheque o desalinhamento ou coesão das partes móveis, rachaduras e qualquer outra condição que possa afetar a operação da ferramenta. Se houver danos, repare a ferramenta elétrica antes do uso.** Muitos acidentes são causados por ferramentas elétricas com manutenção inadequada.
 - ▶ **Mantenha as ferramentas de corte afiadas e limpas.** As ferramentas de corte cuidadosamente mantidas e com arestas de corte afiadas emperram com menos frequência e são mais fáceis de controlar.
 - ▶ **Use a ferramenta elétrica, acessórios, bits etc. de acordo com essas instruções, considerando as condições de trabalho e o trabalho a executar.** O uso da ferramenta elétrica em tarefas diferentes das previstas poderá resultar em uma situação perigosa.
 - ▶ **Mantenha as empunhaduras e as superfícies de agarrar secas, limpas e livres de óleo e graxa.** As empunhaduras e superfícies de agarrar escorregadias não permitem o manuseio e controle seguros da ferramenta em situações inesperadas.
- #### Manuseio e uso cuidadoso da ferramenta com bateria
- ▶ **Recarregar somente com o carregador especificado pelo fabricante.** Um carregador que é adequado para um tipo de bateria pode gerar risco de fogo quando utilizado com outro tipo de bateria.
 - ▶ **Use as ferramentas somente com as baterias especificamente designadas.** O uso de outro tipo de bateria pode gerar risco de ferimento e fogo.
 - ▶ **Quando a bateria não estiver em uso, mantenha-o afastado de objetos metálicos como clips, moedas, chaves, pregos, parafusos ou outros objetos metálicos**

pequenos que podem fazer a ligação de um terminal com o outro. O curto-circuito dos terminais da bateria pode gerar queimaduras ou fogo.

- ▶ **Sob condições abusivas, líquidos podem vaziar ser expelidos pela bateria; evite o contato. Se o contato accidental ocorrer, lave com água. Se o líquido entrar em contato com os olhos, consulte um médico.** Líquido expelido pela bateria podem causar irritação ou queimaduras.
- ▶ **Não use uma bateria ou uma ferramenta danificada ou modificada.** As baterias danificadas ou modificadas exibem um comportamento imprevisível podendo causar incêndio, explosão ou risco de ferimentos.
- ▶ **Não exponha a bateria ou a ferramenta ao fogo ou temperaturas excessivas.** A exposição ao fogo ou a temperaturas acima de 130 °C pode causar explosão.
- ▶ **Siga todas as instruções de carregamento e não carregue a bateria ou a ferramenta fora da faixa de temperatura especificada nas instruções.** O carregamento inadequado ou a temperaturas fora da faixa especificada pode danificar a bateria e aumentar o risco de incêndio.

Serviço

- ▶ **Somente permita que a sua ferramenta elétrica seja reparada por pessoal qualificado e usando peças de reposição originais.** Só dessa forma é assegurada a segurança da ferramenta elétrica.
- ▶ **Jamais tente reparar baterias danificadas.** O reparo de baterias deve ser somente realizado pelo fabricante ou por prestadores de serviços autorizados.

Instruções de segurança para parafusadeiras

- ▶ **Segure a ferramenta elétrica pelas superfícies de manuseio isoladas, ao realizar uma operação onde o elemento de fixação pode entrar em contato com a fixação oculta.** O contato dos elementos de fixação a um fio "vivo" pode tornar "vivas" as partes metálicas expostas da ferramenta e pode resultar ao operador um choque elétrico.
- ▶ **Utilizar detectores apropriados, para encontrar cabos escondidos, ou consultar a companhia elétrica local.** O contato com cabos elétricos pode provocar fogo e choques elétricos. Danos em tubos de gás podem levar a explosões. A penetração em um cano de água causa danos materiais.
- ▶ **Segure bem a ferramenta elétrica.** Ao apertar ou soltar parafusos podem ocorrer momentos de reação elevados.
- ▶ **Fixar a peça a ser trabalhada.** Uma peça a ser trabalhada fixa com dispositivos de aperto ou com um torno de bancada está mais firme do que segurada com a mão.
- ▶ **Espera a ferramenta elétrica parar completamente, antes de depositá-la.** O acessório acoplável pode empernar e levar à perda de controle sobre a ferramenta elétrica.

- ▶ **Em caso de danos e de utilização incorreta da bateria, podem escapar vapores. A bateria pode incendiar-se ou explodir.** Arejar bem o local de trabalho e consultar um médico se forem constatados quaisquer sintomas. Os vapores podem irritar as vias respiratórias.
- ▶ **Não abra a bateria.** Existe perigo de curto-circuito.
- ▶ **A bateria pode ser danificada com objetos pontiagudos como p. ex. prego ou chave de parafusos ou devido à influência de força externa.** Pode ocorrer um curto-circuito interno e a bateria pode arder, deitar fumo, explodir ou sobreaquecer.
- ▶ **Utilize a bateria apenas em produtos do fabricante.** Só assim é que a bateria fica protegida contra sobrecarga perigosa.



Proteja a bateria do calor, p. ex. radiação solar permanente, fogo, sujeira, água e umidade. Há risco de explosão ou de um curto-circuito.

Descrição do produto e especificações



Ler todas as indicações de segurança e instruções. O desrespeito das advertências e das instruções de segurança apresentadas abaixo pode causar choque elétrico, incêndio e/ou graves lesões.

Respeite as ilustrações na parte da frente do manual de instruções.

Utilização adequada

A ferramenta elétrica se destina a enroscar e soltar parafusos, bem como a apertar e soltar porcas na faixa de dimensões indicada.

Componentes ilustrados

A numeração dos componentes ilustrados se refere à representação da ferramenta elétrica na página de esquemas.

- (1) Mandril
- (2) Casquilho de travamento
- (3) Seletor de marchas
- (4) Encaixe para alça de transporte
- (5) Tecla de desbloqueio da bateria
- (6) Bateria
- (7) Comutador de reversão
- (8) Interruptor de ligar/desligar
- (9) Lâmpada "PowerLight"
- (10) Punho (superfície de aderência isolada)
- (11) Bit duplo^{a)}
- (12) Suporte universal de brocas^{a)}
- (13) Ponta para parafusadeira^{a)}

(14) Ferramenta de trabalho (p. ex. soquete de parafusadeira)^{a)}

a) **Acessórios apresentados ou descritos não pertencem ao volume de fornecimento. Todos os acessórios se encontram em nosso catálogo de acessórios.**

Dados técnicos

Parafusadeira de impacto sem fio		GDR 120-LI	GDS 120-LI
Número de produto		3 601 JF0 0..	3 601 JF0 1..
Tensão nominal	V=	12	12
Nº de rotações em vazio ^{A)}			
- Ajuste 1	rpm	0–1300	0–1300
- Ajuste 2	rpm	0–2600	0–2600
Nº de impactos ^{A)}			
- Ajuste 1	ipm	0–1500	0–1500
- Ajuste 2	ipm	0–2700	0–2700
Torque máx. ^{A)} em materiais duros segundo a norma ISO 5393	Nm	100	105
Ø parafusos da máquina	mm	M4–M12	M4–M12
Ø máx. do parafuso	mm	8	8
Encabadouro		¼" sextavado interior	■ 3/8"
Peso conforme EPTA-Procedure 01:2014	kg	1,1	1,1
Temperatura ambiente recomendada ao carregar	°C	0 ... +35	0 ... +35
Temperatura ambiente admissível durante o funcionamento ^{B)} e durante o armazenamento	°C	-20 ... +50	-20 ... +50
Baterias recomendadas		GBA 12V...	GBA 12V...
Carregadores recomendados		GAL 12 ... GAX 18 ...	GAL 12 ... GAX 18 ...

A) Medido a 20–25 °C com bateria **GBA 12V 2.0 Ah**.

B) potência limitada a temperaturas < 0 °C

Os valores podem variar em função do produto e estar sujeitos a condições de aplicação e do meio ambiente. Mais informações em www.bosch-professional.com/wac.

Informação sobre ruídos/vibrações

Os valores de emissão de ruído foram determinados de acordo com **EN 62841-2-2**.

O nível sonoro avaliado A da ferramenta elétrica é normalmente: nível de pressão sonora **92 dB(A)**; nível de potência sonora **103 dB(A)**. Incerteza K = **3 dB**.

Utilizar proteção auditiva!

Valores totais de vibração a_{h} (soma vetorial nas três direções) e incerteza K determinada em função da **EN 62841-2-2**:

Apertar parafusos e porcas com o máximo tamanho admissível: $a_{\text{h}} = 9,5 \text{ m/s}^2$, K = **1,5 m/s²**

Os níveis de vibrações indicados nestas instruções e o valor de emissão de ruído foram medidos de acordo com um método de medição padronizado e podem ser usados para comparar ferramentas elétricas entre si. Também são adequados para uma avaliação preliminar das emissões de vibrações e ruído.

Os níveis de vibrações indicados e o valor de emissão de ruído representam as principais aplicações da ferramenta

elétrica. No entanto, se a ferramenta elétrica for usada para outras aplicações, com diferentes acessórios acopláveis ou com manutenção insuficiente, os níveis de vibrações e o valor de emissão de ruído podem ser diferentes. Isso pode aumentar significativamente as emissões de vibrações e ruído durante todo o período de trabalho.

Para uma estimativa precisa das emissões de vibrações e ruído, também devem ser considerados os momentos em que a ferramenta está desligada ou em funcionamento, mas não está realmente em uso. Isso pode reduzir significativamente as emissões de vibrações e ruído durante todo o período de trabalho.

Além disso também deverão ser estipuladas medidas de segurança para proteger o operador contra o efeito de vibrações, como por exemplo: a manutenção das ferramentas elétricas e dos acessórios acopláveis, luvas durante o trabalho e a organização dos processos de trabalho.

Montagem

- ▶ **Retire a bateria da ferramenta elétrica antes de qualquer trabalho na ferramenta elétrica (p. ex. manutenção, troca de acessório, etc.), assim como para transporte e armazenamento da mesma.** Em caso de acionamento inadvertido do interruptor de ligar/desligar existe perigo de ferimentos.

Carregar a bateria

- ▶ **Utilize somente os carregadores indicados nos dados técnicos.** Somente estes carregadores são adequados para a bateria de íons de lítio utilizada na sua ferramenta elétrica.

Nota: A bateria é fornecida parcialmente carregada. Para assegurar a completa potência da bateria, a bateria deverá ser carregada completamente no carregador antes da primeira utilização.

A bateria de íons de lítio pode ser carregada a qualquer momento, sem que a sua vida útil seja reduzida. Uma interrupção do processo de carga não danifica a bateria.

A bateria de íons de lítio está protegida contra descarga profunda através da "Electronic Cell Protection (ECP)". Quando a bateria fica descarregada, a ferramenta elétrica se desliga através do desligamento de proteção: a ferramenta de trabalho não se move mais.

- ▶ **Depois do desligamento automático da ferramenta elétrica, não continue pressionando o interruptor de ligar/desligar.** Isso pode danificar a bateria.

Retirar a bateria (ver figura A)

Para retirar a bateria (6) pressione o botão de destravamento (5) e puxe a bateria para fora da ferramenta elétrica. **Ao fazê-lo, não aplique força.**

Troca de ferramenta

- ▶ **Retire a bateria da ferramenta elétrica antes de qualquer trabalho na ferramenta elétrica (p. ex. manutenção, troca de acessório, etc.), assim como para transporte e armazenamento da mesma.** Em caso de acionamento inadvertido do interruptor de ligar/desligar existe perigo de ferimentos.

GDR 120-LI:

Colocar o acessório de trabalho (ver figura B)

Puxe o casquilho de travamento (2) para a frente, introduza a ferramenta de trabalho até ao batente no encabadouro (1) e volte a soltar o casquilho de travamento (2), para fixar a ferramenta de trabalho.

É possível utilizar pontas parafusadoras (13) com um porta-bits universal com bloqueio de esfera (12).

Retirar a ferramenta de trabalho

Puxe o casquilho de travamento (2) para a frente e retire a ferramenta de trabalho.

GDS 120-LI: (ver figura C)

- ▶ **Ao colocar um acessório, assegurar que este assenta de forma segura no encabadouro.** Se o acessório não

estiver ligado de forma segura ao encabadouro, poderá se soltar durante a operação de aparafusamento.

Empurre a ferramenta de trabalho (14) para dentro do quadrado do encabadouro (1).

Por condicionamento do sistema, a ferramenta de trabalho (14) assenta com alguma folga no encabadouro (1); tal não tem qualquer influência no funcionamento/segurança.

Funcionamento

Modo de funcionamento

O encabadouro (1) com o acessório é acionado por um motor elétrico através da engrenagem e mecanismo de percussão.

O processo de trabalho é composto por duas fases: **enroscar e apertar** (mecanismo de percussão em ação).

O mecanismo de percussão inicia assim que a união roscada prende e, conseqüentemente, exerce carga sobre o motor. Desta forma, o mecanismo de percussão converte a força do motor em percussões-rotações uniformes. Este processo decorre de forma inversa para soltar parafusos ou porcas.

Colocação em funcionamento

Colocar a bateria

Coloque o comutador do sentido de rotação (7) ao centro para evitar uma ligação accidental. Coloque a bateria (6) carregada no punho até engatar audivelmente e ficar à face com o punho.

Ajustar sentido (ver figura D)

Com o comutador do sentido de rotação (7) pode alterar o sentido de rotação da ferramenta elétrica. No entanto, tal não é possível com o interruptor de ligar/desligar (8) pressionado.

Rotação à direita: para enroscar parafusos e apertar porcas pressione o comutador do sentido de rotação (7) para a esquerda até ao batente.

Rotação à esquerda: Para soltar ou desparafusar parafusos e porcas, pressione o comutador do sentido de rotação (7) para a direita até ao limitador.

Ajuste mecânico da velocidade

- ▶ **Acione o interruptor de regulação da velocidade (3) somente com a ferramenta elétrica parada.**

Com o interruptor de regulação da velocidade (3) podem ser pré-selecionados 2 regimes de rotações.

Velocidade I:

Regime de rotações mais baixo; para aparafusar ou trabalhar com grandes diâmetros de perfuração.

Velocidade II:

Regime de rotações mais alto; para trabalhar com pequenos diâmetros de perfuração.

Se não for possível girar o seletor de velocidade (3) até ao limitador, rode um pouco o veio de acionamento com a broca.

Ligar e desligar

Para **ligar** a ferramenta elétrica pressione e mantenha pressionado o interruptor de ligar/desligar **(8)**.

A lâmpada **(9)** acende-se com o interruptor de ligar/desligar **(8)** ligeira ou totalmente pressionado e permite iluminar o local de trabalho com condições de luminosidade desfavoráveis.

Para **desligar** a ferramenta elétrica, soltar o interruptor de ligar/desligar **(8)**.

Ajustar o número de rotações

É possível regular o número de rotações da ferramenta elétrica ligada, dependendo do quanto o interruptor de ligar/desligar **(8)** é pressionado.

Uma leve pressão no interruptor de ligar/desligar **(8)** origina uma rotação baixa. Aumentando a pressão aumenta a rotação.

Proteção contra sobrecarga em função da temperatura

Com uma utilização adequada a ferramenta elétrica não aquece. Em caso de uma carga excessiva ou ultrapassagem da temperatura permitida da bateria, o sistema eletrônico desliga a ferramenta elétrica, até esta voltar a estar numa gama de temperatura ideal de operação.

Indicações de trabalho

► **Coloque somente a ferramenta elétrica desligada sobre a porca/parafuso.** Ferramentas elétricas rodando podem deslizar.

O torque depende da duração do impacto. O torque máximo alcançado resulta da soma de todos os torques individuais alcançados por meio dos impactos. O torque máximo é alcançado após uma duração de impacto de 6 a 10 segundos. Após este período de tempo o torque de aperto já só tem um aumento mínimo.

Valores de referência para torques máximos de aperto de parafusos

Indicações em Nm, calculadas a partir da seção de tensão; utilização do limite de elasticidade 90% (com coeficiente de fricção $\mu_{\text{tot}} = 0,12$). Para efeitos de controle, é necessário verificar sempre o torque de aperto com uma chave dinamométrica.

Classes de resistência segundo a norma DIN 267	Parafusos standard								Parafusos de alta resistência		
	3.6	4.6	5.6	4.8	6.6	5.8	6.8	6.9	8.8	10.9	12.9
M6	2.71	3.61	4.52	4.8	5.42	6.02	7.22	8.13	9.7	13.6	16.2
M8	6.57	8.7	11	11.6	13.1	14.6	17.5	19.7	23	33	39
M10	13	17.5	22	23	26	29	35	39	47	65	78
M12	22.6	30	37.6	40	45	50	60	67	80	113	135
M14	36	48	60	65	72	79	95	107	130	180	215
M16	55	73	92	98	110	122	147	165	196	275	330

Dicas

Antes de apertar parafusos de grande dimensões em materiais duros, deve pré-perfurar com o diâmetro do núcleo da rosca em aprox. 2/3 do comprimento do parafuso.

Nota: Tenha atenção para que não entrem pequenas peças metálicas na ferramenta elétrica.

A duração do impacto tem de ser determinada para cada torque de aperto necessário. O torque de aperto efetivamente alcançado tem de ser sempre verificado com uma chave de torque.

Unões roscadas com assento duro, elástico ou macio

São medidas por tentativas em torques alcançados por uma sequência de impactos, transferidas para um diagrama, sendo obtida uma curva de evolução de torque. A altura da curva corresponde ao torque máximo alcançável, que indica a inclinação e em que tempo é que este é alcançado.

A evolução do torque depende dos seguintes fatores:

- Resistência dos parafusos/porcas
- Tipo de base (disco, mola de disco, vedação)
- Resistência do material a aparafusar
- Condições de lubrificação na união roscada

Daí resultam os seguintes casos de aplicação:

- **Assento duro** se verifica nas uniões roscadas de metal em metal com utilização de anilhas. O torque máximo é alcançado após um tempo de impacto relativamente curto (curva característica acentuada). Tempos de impacto desnecessariamente longos só danificam a máquina.
- **Assento elástico** se verifica nas uniões roscadas de metal em metal, porém, com utilização de arruelas elásticas, molas de disco, pinos ou parafusos/porcas com assento cônico, bem como na utilização de prolongamentos.
- **Assento macio** se verifica nas uniões roscadas de p. ex. metal em madeira, ou na utilização de discos de chumbo ou fibras como base.

Nos assentos elásticos ou macios o torque de aperto máximo é menor do que no caso do assento duro. Do mesmo modo é necessário um tempo de impacto consideravelmente maior.

Indicações para o manuseio ideal da bateria

Proteja a bateria de umidade e água.

Armazene a bateria apenas numa faixa de temperatura de -20 °C até 50 °C. Não deixe a bateria, p. ex., dentro de um veículo no verão.

Limpe ocasionalmente as aberturas de ventilação da bateria com uma escova macia, limpa e seca.

Uma autonomia consideravelmente inferior após um carregamento, indica que a bateria está gasta e tem de ser substituída.

Observar a indicação sobre o descarte de forma ecológica.

Manutenção e serviço

Manutenção e limpeza

- ▶ **Limpe regularmente as aberturas de ventilação de sua ferramenta elétrica.** A ventoinha do motor puxa pó para dentro da carcaça, e uma grande quantidade de pó de metal pode causar perigos elétricos.
- ▶ **Retire a bateria da ferramenta elétrica antes de qualquer trabalho na ferramenta elétrica (p. ex. manutenção, troca de acessório, etc.), assim como para transporte e armazenamento da mesma.** Em caso de acionamento inadvertido do interruptor de ligar/desligar existe perigo de ferimentos.
- ▶ **Mantenha a ferramenta elétrica e as aberturas de ventilação sempre limpas, para trabalhar bem e de forma segura.**

Serviço pós-venda e assistência ao cliente

O serviço pós-venda responde às suas perguntas a respeito de serviços de reparação e de manutenção do seu produto, assim como das peças sobressalentes. Desenhos explodidos e informações sobre peças sobressalentes também em:

www.bosch-pt.com

A nossa equipe de consultores Bosch esclarece com prazer todas as suas dúvidas a respeito dos nossos produtos e acessórios.

Indique em todas as questões ou encomendas de peças sobressalentes impreterivelmente a referência de 10 dígitos de acordo com a placa de características do produto.

Brasil

Robert Bosch Ltda. – Divisão de Ferramentas Elétricas
Rodovia Anhanguera, Km 98 - Parque Via Norte
13065-900, CP 1195
Campinas, São Paulo
Tel.: 0800 7045 446
www.bosch.com.br/contato

Encontre outros endereços da assistência técnica em:

www.bosch-pt.com/serviceaddresses

Transporte

As baterias de lítio recomendadas estão em conformidade com os requisitos da regulamentação do transporte de mercadorias perigosas. Os acumuladores podem ser transportados pelo utilizador, nas vias públicas, sem mais nenhuma obrigação.

No caso de envio através de terceiros (p. ex.: transporte aéreo ou transitário) é necessário respeitar os requisitos especiais para a embalagem e identificação. Neste caso,

para a preparação da embalagem é necessário consultar um perito no transporte de mercadorias perigosas.

Só enviar baterias se a carcaça não estiver danificada. Colar contatos abertos e embalar o bateria de modo que não possa se movimentar dentro da embalagem. Por favor observe também eventuais diretrizes nacionais suplementares.

Descarte



Ferramentas elétricas, baterias, acessórios e embalagens devem ser enviados a uma reciclagem ecológica de matérias primas.



Não descarte as ferramentas elétricas e as baterias/pilhas no lixo doméstico!

Baterias/pilhas:

Lítio:

Por favor, observe as instruções na seção de transporte (ver "Transporte", Página 35).

中文

安全规章

电动工具通用安全警告

警告！

阅读随电动工具提供的所有安全警告、说明、图示和规定。

不遵照以下所列说明会导致电击、着火和/或严重伤害。

保存所有警告和说明书以备查阅。

警告中的术语“电动工具”是指市电驱动（有线）电动工具或电池驱动（无线）电动工具。

工作场地的安全

- ▶ **保持工作场地清洁和明亮。** 杂乱和黑暗的场地会引发事故。
- ▶ **不要在易爆环境，如有易燃液体、气体或粉尘的环境下操作电动工具。** 电动工具产生的火花会点燃粉尘或气体。
- ▶ **操作电动工具时，远离儿童和旁观者。** 注意力不集中会使你失去对工具的控制。

电气安全

- ▶ **电动工具插头必须与插座相配。绝不能以任何方式改装插头。需接地的电动工具不能使用任何转换插头。** 未经改装的插头和相配的插座将降低电击风险。
- ▶ **避免人体接触接地表面，如管道、散热片和冰箱。** 如果你身体接触接地表面会增加电击风险。
- ▶ **不得将电动工具暴露在雨中或潮湿环境中。** 水进入电动工具将增加电击风险。

- ▶ 不得滥用软线。绝不能用软线搬运、拉动电动工具或拔出其插头。使软线远离热源、油、锐边或运动部件。受损或缠绕的软线会增加电击风险。
- ▶ 当在户外使用电动工具时，使用适合户外使用的延长线。适合户外使用的电线将降低电击风险。
- ▶ 如果无法避免在潮湿的环境中操作电动工具，应使用带有剩余电流装置（RCD）保护的电源。RCD的使用可降低电击风险。

人身安全

- ▶ 保持警觉，当操作电动工具时关注所从事的操作并保持清醒。当你感到疲倦，或在有药物、酒精或治疗反应时，不要操作电动工具。在操作电动工具时瞬间的疏忽会导致严重人身伤害。
- ▶ 使用个人防护装置。始终佩戴护目镜。防护装置，诸如适当条件下使用防尘面具、防滑安全鞋、安全帽、听力防护等装置能减少人身伤害。
- ▶ 防止意外起动。在连接电源和/或电池包、拿起或搬运工具前确保开关处于关断位置。手指放在开关上搬运工具或开关处于接通时通电会导致危险。
- ▶ 在电动工具接通之前，拿掉所有调节钥匙或扳手。遗留在电动工具旋转零件上的扳手或钥匙会导致人身伤害。
- ▶ 手不要过分伸展。时刻注意立足点和身体平衡。这样能在意外情况下能更好地控制住电动工具。
- ▶ 着装适当。不要穿宽松衣服或佩戴饰品。让你的头发和衣服远离运动部件。宽松衣服、配饰或长发可能会卷入运动部件。
- ▶ 如果提供了与排屑、集尘设备连接用的装置，要确保其连接完好且使用得当。使用集尘装置可降低尘屑引起的危险。
- ▶ 不要因为频繁使用工具而产生的熟悉感而掉以轻心，忽视工具的安全准则。某个粗心的动作可能在瞬间导致严重的伤害。

电动工具使用和注意事项

- ▶ 不要勉强使用电动工具，根据用途使用合适的电动工具。选用合适的按照额定值设计的电动工具会使你工作更有效、更安全。
- ▶ 如果开关不能接通或关断电源，则不能使用该电动工具。不能通过开关来控制的电动工具是危险的且必须进行修理。
- ▶ 在进行任何调节、更换附件或贮存电动工具之前，必须从电源上拔掉插头和/或卸下电池包（如可拆卸）。这种防护性的安全措施降低了电动工具意外起动的风险。
- ▶ 将闲置不用的电动工具贮存在儿童所及范围之外，并且不允许不熟悉电动工具和不了解这些说明的人操作电动工具。电动工具在未经培训的使用者手中是危险的。
- ▶ 维护电动工具及其附件。检查运动部件是否调整到位或卡住，检查零件破损情况和影响电动工具运行的其他状况。如有损坏，应在使用前修理好电动工具。许多事故是由维护不良的电动工具引发的。
- ▶ 保持切削刀具锋利和清洁。维护良好地有锋利切削刃的刀具不易卡住而且容易控制。

- ▶ 按照使用说明书，并考虑作业条件和要进行的作业来选择电动工具、附件和工具的刀头等。将电动工具用于那些与其用途不符的操作可能会导致危险情况。
- ▶ 保持手柄和握持表面干燥、清洁，不得沾有油脂。在意外的情况下，湿滑的手柄不能保证握持的安全和对工具的控制。

电池式工具使用和注意事项

- ▶ 仅使用生产者规定的充电器充电。将适用于某种电池包的充电器用到其他电池包时可能会发生着火危险。
- ▶ 仅使用配有专用电池包的电动工具。使用其他电池包可能会产生伤害和着火危险。
- ▶ 当电池包不用时，将它远离其他金属物体，例如回形针、硬币、钥匙、钉子、螺钉或其他小金属物体，以防电池包一端与另一端连接。电池组端部短路可能会引起燃烧或着火。
- ▶ 在滥用条件下，液体可能会从电池组中溅出；应避免接触。如果意外碰到液体，用水冲洗。如果液体碰到了眼睛，还应寻求医疗帮助。从电池中溅出的液体可能会发生腐蚀或燃烧。
- ▶ 不要使用损坏或改装过的电池包或工具。损坏或改装过的电池组可能呈现无法预测的结果，导致着火、爆炸或伤害。
- ▶ 不要将电池包暴露于火或者高温中。电池包暴露于火或高于130 °C的高温中可能导致爆炸。
- ▶ 遵守所有充电说明，给电池组或工具充电时不要超出说明中规定的温度范围。错误充电或温度超出规定的范围可能会损坏电池并提高着火的风险。

维修

- ▶ 由专业维修人员使用相同的备件维修电动工具。这将保证所维修的电动工具的安全。
- ▶ 决不能维修损坏的电池包。电池包仅能由生产者或其授权的维修服务商进行维修。

针对起子机的安全规章

- ▶ 当在紧固件可能触及暗线的场合进行操作时，通过绝缘握持面握持工具。紧固件碰到带电导线会使工具外露金属零件带电而使操作者遭受电击。
- ▶ 使用合适的侦测装置侦察隐藏的电线，或者向当地的相关单位寻求支援。接触电线可能引起火灾并让操作者触电。损坏了瓦斯管会引起爆炸。如果水管被刺穿了会导致财物损失。
- ▶ 请紧握电动工具。拧紧和拧松螺丝时可能短时出现高反应扭矩。
- ▶ 固定好工件。使用固定装置或老虎钳固定工件，会比用手持握工件更牢固。
- ▶ 等待电动工具完全静止后才能够放下机器。机器上的工具可能在工作中被夹住，而令您无法控制电动工具。
- ▶ 如果充电电池损坏或者未按照规定使用，充电电池中会散发出有毒蒸汽。充电电池可能会燃烧或爆炸。工作场所必须保持空气流通，如果身体有任何不适必须马上就医。蒸汽会刺激呼吸道。

- ▶ **切勿打开充电电池。**可能造成短路。
- ▶ **钉子、螺丝刀等尖锐物品或外力作用可能会损坏充电电池。**有可能出现内部短路、蓄电池燃烧、发出烟雾、爆炸或过热。
- ▶ **仅在制造商的产品中使用充电电池。**这样才能确保充电电池不会过载。



保护充电电池免受高温（例如长期阳光照射）、火焰、脏污、水和湿气的侵害。有爆炸和短路的危险。



产品和性能说明



请阅读所有安全规章和指示。不遵照以下警告和说明可能导致电击、着火和/或严重伤害。

请注意本使用说明书开头部分的图示。

按照规定使用

本电动工具适用于拧入和拧出螺丝，并且可以拧紧和放松规定尺寸内的螺母。

技术参数

充电式冲击钻/起子机		GDR 120-LI	GDS 120-LI
物品代码		3 601 JF0 0..	3 601 JF0 1..
额定电压	伏特=	12	12
空载转速 ^{A)}			
- 设置1	转/分钟	0-1300	0-1300
- 设置2	转/分钟	0-2600	0-2600
冲击次数 ^{A)}			
- 设置1	次/分钟	0-1500	0-1500
- 设置2	次/分钟	0-2700	0-2700
根据ISO 5393, 硬拧转的最大扭矩 ^{A)}	牛顿米	100	105
机械螺栓直径	毫米	M4-M12	M4-M12
最大螺栓直径	毫米	8	8
工具夹头		3/8英寸内六角	3/8英寸
重量符合EPTA-Procedure 01:2014	公斤	1.1	1.1
充电时建议的环境温度	摄氏度	0至+35	0至+35
工作时和存放时允许的环境温度 ^{B)}	摄氏度	-20至+50	-20至+50
推荐的充电电池		GBA 12V ...	GBA 12V ...
推荐的充电器		GAL 12 ... GAX 18 ...	GAL 12 ... GAX 18 ...

A) 在20-25摄氏度的条件下带充电电池**GBA 12V 2.0 Ah**测得

B) 温度 < 0 摄氏度时功率受限

数值可能因不同产品而异，并且受到应用和环境条件影响。更多信息请参见 www.bosch-professional.com/wac。

安装

- ▶ **在电动工具上进行任何维护的工作（例如维修，更换工具等等），以及搬运、保存电动工具之前都必须从机器中取出蓄电池。**无意间操作开关可能会造成伤害。

插图上的机件

机件的编号和电动工具详解图上的编号一致。

- (1) 工具夹头
- (2) 锁定套筒
- (3) 选档开关
- (4) 拎带接头
- (5) 充电电池的解锁按钮
- (6) 充电电池
- (7) 正逆转开关
- (8) 电源开关
- (9) “PowerLight” 灯
- (10) 手柄（绝缘握柄）
- (11) 双批嘴^{a)}
- (12) 通用批头套筒^{a)}
- (13) 螺丝批嘴^{a)}
- (14) 工具刀头（螺母起子头）^{a)}

a) 图表或说明上提到的附件，并不包含在基本的供货范围中。本公司的附件清单中有完整的附件供应项目。

为充电电池充电

- ▶ **请只使用在技术参数中列出的充电器。**只有这些充电器才适用于本电动工具上的锂离子电池。

提示：充电电池在交货时只完成部分充电。首度使用电动工具之前，必须先充足充电电池的电量以确保充电电池的功率。

可以随时为锂离子电池充电，不会缩短电池的使用寿命。如果充电过程突然中断，也不会损坏电池。本锂离子电池配备了电池电子保护装置 "Electronic Cell Protection (ECP)"，可以防止电池过度放电。电池的电量如果用尽了，保护开关会自动关闭电动工具：安装在机器上的工具刀头会停止转动。

► **电动工具被关闭之后，切勿继续按起停开关。**
否则可能会损坏电池。

取出充电电池（参见插图A）

如需取下电池(6)，则请按压解锁按钮(5)，并将电池向下从电动工具拔出。在此过程中请勿过度用力。

更换刀具

► **在电动工具上进行任何维护的工作（例如维修，更换工具等等），以及搬运、保存电动工具之前都必须从机器中取出蓄电池。** 无意间操作开关可能会造成伤害。

GDR 120-LI:

安装工具刀头（参见插图B）

将锁定套筒(2)向前拉，将工具刀头放入工具夹头(1)，直至限位，然后重新松开锁定套筒(2)，以便锁住工具刀头。

螺丝批嘴(13)可以通过一个带球掣的通用批头套筒(12)安装。

拆卸工具刀头

将锁定套筒(2)向前拉，取下工具刀头。

GDS 120-LI:（参见插图C）

► **安装工具刀头时请注意务必将其牢牢地插在工具夹头上。** 如果工具刀头未牢固地插在工具夹头中，可能在拧转螺丝时松脱。

将工具刀头(14)推到工具夹头(1)的四角段上。

由于系统设计原因，工具刀头(14)和工具夹头(1)之间会有少许间隙，这不影响电动工具的功能和安全。

运行

功能原理

通过齿轮箱和冲击机构上方的电机驱动工具夹头(1)及工具刀头。

工作过程共分为两个阶段：

拧螺丝和拧紧（冲击机构工作）。

一旦螺丝咬入工件中而且电机承受负荷，冲击机构便投入工作。冲击机构把电机的力转化为均匀的旋转冲击。松开螺丝或螺母时，整个过程以反向进行。

投入使用

安装充电电池

将正逆转开关(7)调至中间，以防意外接通。将已充好电的电池(6)装入手柄，直至感觉到其卡入且与手柄平齐。

调整旋转方向（见图片D）

通过正逆转开关(7)可以更改电动工具的旋转方向。按下起停开关(8)后无法更改。

正转：拧入螺丝并拧紧螺母时，向左按压正逆转开关(7)直至限位。

逆转：松开或拧出螺丝和螺母时，向右按压正逆转开关(7)直至极限位置。

机械式选档

► **只能在电动工具静止时操纵选档开关(3)。**

利用选档开关(3)可以预选2个转速范围。

档位I:

低转速范围；适用于钻孔直径较大时或拧螺丝时。

档位II:

高转速范围；适用钻孔直径较小时。

如果选档开关(3)无法翻转到极限位置，就略微转动驱动轴和钻头。

开动/关闭

将电动工具**投入使用**时按压起停开关(8)并按住。

轻按或是把起停开关(8)按到底时，灯(9)会亮起，在照明状况不佳的环境中可以借此照亮操作位置。

关闭电动工具时，请松开起停开关(8)。

调整转速

根据按压起停开关(8)的程度，可以无级调节已接通的电动工具的转速。

轻按起停开关(8)，转速低。逐渐在开关上加压，转速也会跟着提高。

温的过载保护装置

按照规定使用时不会造成电动工具过载。负载过大或超过允许的充电电池温度时，电子装置会关闭电动工具，直到其恢复到最佳工作范围。

工作提示

► **先关闭电动工具，然后再放置在螺母/螺栓上。** 旋转的工具刀头可能会滑开。

扭矩大小和冲击时间长短有关。最大扭矩是所有通过冲击所产生的单个扭矩的总和。在冲击约6-10秒后，扭矩可以达到最大。超过这段时间，拧紧扭矩只略微增加。

必须测量每个拧紧扭矩的持续冲击时间。总是需要用扭矩扳手检查实际达到的拧紧扭矩。

使用硬垫、弹簧垫或软垫拧转

如果尝试测量一个冲击过程中达到的各个扭矩并记载在一张图表上，可以得到扭矩变化的曲线。曲线的最高点是可达到的最大扭矩，上升的线段则代表到达最大扭矩所需的时间。

扭矩曲线的走向受以下因素影响：

- 螺丝/螺母的强度
- 垫片的种类（圆垫片、碟形垫片、密封圈）

- 即将被拧入螺丝的物料的强度
- 螺丝是否涂抹了润滑油

综合以上因素，大概可以归类出下列的工作状况：

- **硬垫拧转**，是指在使用垫片的前提下将金属螺丝拧入金属物料中。经过短暂的冲击之后便可以达到最大扭矩（比较陡的上升曲线）。不必要的延长冲击时间只会损坏机器。

最大螺栓拧紧扭矩的标准值

所提供的数据的单位是牛顿米，数据是由切削截面面积运算所得；屈服点的利用为百分之90%（在摩擦系数 $\mu_{\text{外}} = 0.12$ ）。随时用扭矩扳手检查拧紧扭矩。

强度等级根据 DIN 267	标准螺丝						高强度螺丝				
	3.6	4.6	5.6	4.8	6.6	5.8	6.8	6.9	8.8	10.9	12.9
M6	2.71	3.61	4.52	4.8	5.42	6.02	7.22	8.13	9.7	13.6	16.2
M8	6.57	8.7	11	11.6	13.1	14.6	17.5	19.7	23	33	39
M10	13	17.5	22	23	26	29	35	39	47	65	78
M12	22.6	30	37.6	40	45	50	60	67	80	113	135
M14	36	48	60	65	72	79	95	107	130	180	215
M16	55	73	92	98	110	122	147	165	196	275	330

建议

把大的、长的螺丝拧入坚硬的物料中之前，必须根据螺纹的中心直径预钻孔，预钻孔的深度大概为螺丝长度的2/3。

提示：注意不要让金属小零件进入电动工具。

有关以最佳方式使用充电电池的提示

保护充电电池，避免湿气和水分渗入。

充电电池必须储存在-20 °C至50 °C的环境中。夏天不得将充电电池搁置在汽车中。

不定时地使用柔软、清洁而且干燥的毛刷清洁充电电池的通气孔。

充电后如果充电电池的使用时间明显缩短，代表充电电池已经损坏，必须更换新的充电电池。

请注意有关废弃处理的规定。

维修和服务

维护和清洁

- ▶ **定期清洁电动工具的通风间隙。**电动机风扇会将灰尘吸进机壳，过多的金属粉末沉积会导致电气危险。
- ▶ **在电动工具上进行任何维护的工作（例如维修，更换工具等等），以及搬运、保存电动工具之前都必须从机器中取出蓄电池。**无意间操作开关可能会造成伤害。
- ▶ **电动工具和通气孔必须随时保持清洁，以确保工作效率和工作安全。**

客户服务和应用咨询

本公司顾客服务处负责回答有关本公司产品的修理、维护和备件的问题。备件的展开图纸和信息也可查看：www.bosch-pt.com

- **弹簧垫拧转**，是指在使用了弹簧圈、碟形垫片、双头螺栓、带圆锥座的螺栓/螺母以及延长件等的情况下将金属螺丝拧入金属物料中。

- **软垫拧转**，以下几个例子都属于软垫拧转：将金属螺丝拧入木材中，或者拧螺丝时使用了铅垫片、纤维垫片。

弹簧垫拧转和软垫拧转的最大扭矩小于硬垫拧转的最大扭矩。而且前者需要的冲击时间明显超越后者。

博世应用咨询团队乐于就我们的产品及其附件问题提供帮助。

询问和订购备件时，务必提供机器铭牌上标示的10位数物品代码。

中国大陆

博世电动工具（中国）有限公司

中国 浙江省 杭州市

滨江区 滨康路567号

102/1F 服务中心

邮政编码：310052

电话：(0571)8887 5566 / 5588

传真：(0571)8887 6688 x 5566# / 5588#

电邮：bsc.hz@cn.bosch.com

www.bosch-pt.com.cn

制造商地址：

Robert Bosch Power Tools GmbH

罗伯特·博世电动工具有限公司

70538 Stuttgart / GERMANY

70538 斯图加特 / 德国

其他服务地址请见：

www.bosch-pt.com/serviceaddresses

搬运

所推荐的锂离子充电电池必须符合危险物品法规。使用者无须另外使用保护包装便可以运送该充电电池。

但是如果将它交由第三者运送（例如：寄空运或委托运输公司）则要使用特殊的包装和标示。此时必须向危险物品专家请教有关寄送危险物品的相关事宜。

确定充电电池的外壳未受损后，才可以寄送充电电池。粘好未加盖的触点并包装好充电电池，不可以

让充电电池在包装中晃动。必要时也得注意各国的法规。

处理废弃物



必须以符合环保的方式，回收再利用损坏的电动工具、充电电池、附件和废弃的包装材料。



不可以把电动工具和充电电池/蓄电池丢入一般的家庭垃圾中！

充电电池/电池：

锂离子：

请注意“搬运”段落中的指示（参见“搬运”，页 39）确认设置。

繁體中文

安全注意事項

電動工具一般安全注意事項

警告

請詳讀工作臺及電動工具的所有安全警告與使用說明。若不遵照以下列出的指示，將可能導致電擊、著火和/或人員重傷。

保存所有警告和說明書以備查閱。

在所有警告中，「電動工具」此一名詞泛指：以市電驅動的（有線）電動工具或是以電池驅動的（無線）電動工具。

工作場地的安全

- ▶ 保持工作場地清潔和明亮。混亂和黑暗的場地會引發事故。
- ▶ 不要在易爆環境，如有易燃液體、氣體或粉塵的環境下操作電動工具。電動工具產生的火花會點燃粉塵或氣體。
- ▶ 讓兒童和旁觀者離開後操作電動工具。注意力不集中會使您失去對工具的控制。

電氣安全

- ▶ 電動工具插頭必須與插座相配。絕不能以任何方式改裝插頭。需接地的電動工具不能使用任何轉換插頭。未經改裝的插頭和相配的插座將減少電擊危險。
- ▶ 避免人體接觸接地表面，如管道、散熱片和冰箱。如果您身體接地會增加電擊危險。
- ▶ 不得將電動工具暴露在雨中或潮濕環境中。水進入電動工具將增加電擊危險。
- ▶ 不得濫用電線。絕不能用電線搬運、拉動電動工具或拔出其插頭。使電線遠離熱源、油、銳利邊緣或移動零件。受損或纏繞的軟線會增加電擊危險。

- ▶ 當在戶外使用電動工具時，使用適合戶外使用的延長線。適合戶外使用的軟線，將減少電擊危險。
- ▶ 如果在潮濕環境下操作電動工具是不可能的，應使用剩餘電流動作保護器（RCD）。使用RCD可降低電擊危險。

人身安全

- ▶ 保持警覺，當操作電動工具時關注所從事的操作並保持清醒。當您感到疲倦，或在有藥物、酒精或治療反應時，不要操作電動工具。在操作電動工具時瞬間的疏忽會導致嚴重人身傷害。
- ▶ 使用個人防護裝置。始終佩戴護目鏡。安全裝置，諸如適當條件下使用防塵面具、防滑安全鞋、安全帽、聽力防護等裝置能減少人身傷害。
- ▶ 防止意外起動。確保開關在連接電源和/或電池盒、拿起或搬運工具時處於關閉位置。手指放在已接通電源的開關上或開關處於接通時插入插頭可能會導致危險。
- ▶ 在電動工具接通之前，拿掉所有調節鑰匙或扳手。遺留在電動工具旋轉零件上的扳手或鑰匙會導致人身傷害。
- ▶ 手不要伸展得太長。時刻注意立足點和身體平衡。這樣在意外情況下能很好地控制電動工具。
- ▶ 著裝適當。不要穿寬鬆衣服或佩戴飾品。讓您的衣物及頭髮遠離運動部件。寬鬆衣服、佩飾或長髮可能會捲入運動部件中。
- ▶ 如果提供了與排屑、集塵設備連接用的裝置，要確保他們連接完好且使用得當。使用這些裝置可減少塵屑引起的危險。
- ▶ 切勿因經常使用工具所累積的熟練感而過度自信，輕忽工具的安全守則。任何一個魯莽的舉動都可能瞬間造成人員重傷。

電動工具使用和注意事項

- ▶ 不要濫用電動工具，根據用途使用適當的電動工具。選用適當設計的電動工具會使您工作更有效、更安全。
- ▶ 如果開關不能開啟或關閉工具電源，則不能使用該電動工具。不能用開關來控制的電動工具是危險的且必須進行修理。
- ▶ 在進行任何調整、更換配件或貯存電動工具之前，必須從電源上拔掉插頭並/或取出電池盒。這種防護性措施將減少工具意外起動的危險。
- ▶ 將閒置不用的電動工具貯存在兒童所及範圍之外，並且不要讓不熟悉電動工具或對這些說明不瞭解的人操作電動工具。電動工具在未經培訓的用戶手中是危險的。
- ▶ 保養電動工具與配備。檢查運動件是否調整到位或卡住，檢查零件破損情況和影響電動工具運行的其他狀況。如有損壞，電動工具應在使用前修理好。許多事故由維護不良的電動工具引發。
- ▶ 保持切削刀具鋒利和清潔。保養良好的有鋒利切削刃的刀具不易卡住而且容易控制。
- ▶ 按照使用說明書，考慮作業條件和進行的作業來使用電動工具、配件和工具的刀頭等。將電動工具用於那些與其用途不符的操作可能會導致危險。

- ▶ 把手及握持區應保持乾燥、潔淨，且不得沾染任何油液或油脂。易滑脫的把手及握持區將無法讓您在發生意外狀況時安全地抓緊並控制工具。

電池式工具使用和注意事項

- ▶ 只用製造商規定的充電器充電。將適用於某種電池盒的充電器用到其他電池盒時會發生著火危險。
- ▶ 只有在配有專用電池盒的情況下才使用電動工具。使用其他電池盒會發生損壞和著火危險。
- ▶ 當電池盒不用時，將它遠離其他金屬物體，例如回形針、硬幣、鑰匙、釘子、螺絲或其他小金屬物體，以防一端與另一端連接。電池端部短路會引起燃燒或火災。
- ▶ 在濫用條件下，液體會從電池中濺出；避免接觸。如果意外碰到了，用水沖洗。如果液體碰到了眼睛，還要尋求醫療幫助。從電池中濺出的液體會發生腐蝕或燃燒。
- ▶ 請勿使用已受損或經改裝的電池盒。已受損或經改裝的電池組可能出現無法預期的反應，進而導致著火、爆炸或造成人員受傷。
- ▶ 勿讓電池盒或工具靠近火源或暴露於異常溫度環境中。若是靠近火源或暴露在超過130 °C的環境中可能造成爆炸。
- ▶ 請完全遵照所有的充電說明，電池盒或工具的溫度若是超出指示的規定範圍，請勿進行充電。不當充電或是未在規定的溫度範圍內進行充電，皆可能造成電池損壞並面臨更高的著火風險。

檢修

- ▶ 將您的電動工具送交專業維修人員，必須使用同樣的備件進行更換。這樣將確保所維修的電動工具的安全性。
- ▶ 請勿自行檢修受損的電池盒。電池組應交由製造商或是獲得授權的服務供應商來進行檢修。

起子機安全注意事項

- ▶ 進行作業時，固定釘可能會碰觸到隱藏的配線，請從絕緣握把處拿持電動工具。固定釘接觸到「導電」電線可能導致電動工具外露的金屬部件「導電」，進而使操作人員遭受電擊。
- ▶ 使用合適的偵測裝置偵察隱藏的電線，或者向當地的相關單位尋求支援。接觸電線可能引起火災並讓操作者觸電。若損壞瓦斯管會引起爆炸。如果水管被刺穿會導致財物損失。
- ▶ 請牢牢握緊電動工具。旋緊與鬆開螺栓時，瞬間可能會有較大的反作用力。
- ▶ 固定好工件。使用固定裝置或老虎鉗固定工件，會比用手握工件更牢固。
- ▶ 必須等待電動工具完全靜止後才能將它放下。嵌件工具可能卡住而使電動工具失控。

技術性數據

充電式衝擊鑽 / 起子機	GDR 120-LI	GDS 120-LI
產品機號	3 601 JF0 0..	3 601 JF0 1..
額定電壓	V= 12	12

- ▶ 如果充電電池損壞了，或者未按照規定使用充電電池，充電電池中會散發出有毒蒸氣。充電電池可能起火或爆炸。工作場所必須保持空氣流通，如果身體有任何不適必須馬上就醫。充電電池散發的蒸氣會刺激呼吸道。
- ▶ 切勿拆開充電電池。可能造成短路。
- ▶ 尖銳物品（例如釘子或螺絲起子）或是外力皆有可能造成充電電池損壞。進而導致內部短路而發生電池起火、冒煙、爆炸或過熱等事故。
- ▶ 僅可在製造商的產品中使用充電電池。如此才可提供過載保護。



保護充電電池免受高溫（例如長期日照）、火焰、污垢、水液和濕氣的侵害。有爆炸及短路之虞。



產品和功率描述



請詳讀所有安全注意事項和指示。如未遵守安全注意事項與指示，可能導致火災、人員遭受電擊及/或重傷。請留意操作說明書中最前面的圖示。

依規定使用機器

本電動工具適用於旋緊和鬆開螺柱，並且可以旋緊和鬆開規定尺寸內的螺母。

插圖上的機件

機件的編號和電動工具詳解圖上的編號一致。

- (1) 工具夾座
- (2) 鎖定套筒
- (3) 選檔開關
- (4) 腕帶固定座
- (5) 充電電池的解鎖按鈕
- (6) 充電電池
- (7) 正逆轉開關
- (8) 電源開關
- (9) 「PowerLight」照明燈
- (10) 把手（絕緣握柄）
- (11) 雙頭式工具頭^{a)}
- (12) 通用工具頭夾持器^{a)}
- (13) 螺絲起子工具頭^{a)}
- (14) 嵌件工具（例如起子頭套筒）^{a)}

a) 圖文中提到的配件，並不包含在基本的供貨範圍中。本公司的配件清單中有完整的配件供應項目。

充電式衝擊鑽 / 起子機		GDR 120-LI	GDS 120-LI
無負載轉速 ^{A)}			
- 設定 1	次 / 分	0-1300	0-1300
- 設定 2	次 / 分	0-2600	0-2600
衝擊次數 ^{A)}			
- 設定 1	min ⁻¹	0-1500	0-1500
- 設定 2	min ⁻¹	0-2700	0-2700
根據 ISO 5393，硬材料鎖螺絲的最大扭力 ^{A)}	Nm	100	105
機器螺栓直徑	mm	M4-M12	M4-M12
最大螺栓直徑	mm	8	8
工具夾頭		½" 內六角	■ 3/8"
重量符合 EPTA-Procedure 01:2014	kg	1.1	1.1
充電狀態下的建議環境溫度	°C	0 ... +35	0 ... +35
操作狀態下的容許環境溫度 ^{B)} 以及存放狀態下	°C	-20 ... +50	-20 ... +50
建議使用的充電電池		GBA 12V...	GBA 12V...
建議使用的充電器		GAL 12 ... GAX 18 ...	GAL 12 ... GAX 18 ...

A) 於 20-25 °C 配備充電電池 **GBA 12V 2.0 Ah** 時測得。

B) 溫度 < 0 °C 時，性能受限

數值可能因產品而異，並受使用條件以及環境條件影響。進一步資訊請見 www.bosch-professional.com/wac。

安裝

- ▶ 在電動工具上進行任何維護的工作（例如維修，更換工具等）以及搬運和儲存電動工具之前，都必須電動工具中取出充電電池。若是不小心觸動起停開關，可能造成人員受傷。

為充電電池進行充電

- ▶ 只能選用技術性數據裡所列出的充電器。僅有這些充電器適用於電動工具所使用的鋰離子充電電池。

提示：出貨時充電電池已部分充電。首度使用電動工具之前，請先用充電器將充電電池充飽電以確保充電電池蓄滿電力。

鋰離子充電電池可隨時充電，不會縮短電池的使用壽命。如果突然中斷充電，電池也不會損壞。

鋰離子充電電池配備了電池保護裝置「Electronic Cell Protection (ECP)」，可以防止充電電池過度放電。充電電池的電量如果用盡了，保護開關會自動關閉電動工具；嵌件工具會停止轉動。

- ▶ 電動工具自動關機後，請勿再按壓電源開關。否則充電電池可能會損壞。

取出充電電池（請參考圖 A）

若要取出充電電池 (6)，請按解鎖鈕 (5)，然後將充電電池往下拔出電動工具。不可以強行拉出充電電池。

更換工具

- ▶ 在電動工具上進行任何維護的工作（例如維修，更換工具等）以及搬運和儲存電動工具之前，都

必須電動工具中取出充電電池。若是不小心觸動起停開關，可能造成人員受傷。

GDR 120-LI：

安裝嵌件工具（請參考圖 B）

將鎖定套筒 (2) 往前拉，將嵌件工具往工具夾頭 (1) 推入到底，接著再放開鎖定套筒 (2) 即可固定住嵌件工具。

若是螺絲起子工具頭 (13)，需藉由具有滾珠制動設計的工具頭通用夾持器 (12) 轉接。

拆卸嵌件工具

將鎖定套筒 (2) 往前拉，取出嵌件工具。

GDS 120-LI：（請參考圖 C）

- ▶ 裝入嵌件工具時務必確認它是否牢牢地固定在工具夾頭上。嵌件工具若未牢固地插在工具夾頭中，可能會在轉動螺絲時鬆脫。

請將嵌件工具 (14) 推至工具夾座 (1) 的方形接頭上。

視系統而定，嵌件工具 (14) 裝到工具夾座 (1) 上後，也許仍會有些間隙；但這並不影響功能運作或工具機的安全性。

操作

運作原理

工具夾頭 (1) 裝上嵌件工具後，是由電動馬達透過齒輪裝置及撞擊裝置進行驅動。

運作流程分為兩個階段：

旋入和旋緊（撞擊裝置同時運作）。

當螺絲一咬入工件中且馬達開始負載時，撞擊裝置便開始運作。撞擊裝置把馬達的傳動力轉換為均勻的旋轉式敲擊動作。鬆開螺栓或螺母時，整個運作過程是反向進行。

操作機器

安裝充電電池

將正逆轉開關 (7) 調至中間位置，以防止電動工具意外啟動。將已充飽電的充電電池 (6) 放入把手內，直到感覺到它卡上並與把手貼齊。

調整旋轉方向 (請參考圖 D)

透過正逆轉開關 (7) 即可變更電動工具的旋轉方向。但按下起停開關 (8) 時，將無法這樣做。

正轉：若要旋入螺栓及旋緊螺母，請將正逆轉開關 (7) 往左推到底。

逆轉：若要鬆開或旋出螺栓與螺母，請將正逆轉開關 (7) 往右推到底。

機械式選檔

▶ 電動工具靜止時，才能操作選檔開關 (3)。

選檔開關 (3) 提供 2 種轉速範圍，供您選用。

檔位 I：

低轉速範圍；適合拆裝螺栓，或鑽大孔。

檔位 II：

高轉速範圍；適用於鑽小孔時。

如果選檔開關 (3) 無法轉到最底位置，請稍微轉動已裝上鑽頭的驅動主軸。

啟動/關閉

按下電源開關 (8) 不要放開，即可讓電動工具持續運轉。

輕按起停開關 (8) 或完全按下時，照明燈 (9) 隨即亮起，可照亮光線不足的工作區域。

放開起停開關 (8)，即可讓電動工具停止運轉。

調整轉速

您可為已啟動的電動工具無段調控轉速，轉速是由按壓起停開關 (8) 的深度而定。

螺栓最大旋緊扭力參考值

單位是 Nm，從應力截面計算；屈服強度利用率 90 % (摩擦係數 $\mu_{\text{tot}} = 0.12$)。隨時以扭力扳手檢查旋緊扭力。

強度等級根據 DIN 267	標準螺栓						高強度螺栓				
	3.6	4.6	5.6	4.8	6.6	5.8	6.8	6.9	8.8	10.9	12.9
M6	2.71	3.61	4.52	4.8	5.42	6.02	7.22	8.13	9.7	13.6	16.2
M8	6.57	8.7	11	11.6	13.1	14.6	17.5	19.7	23	33	39
M10	13	17.5	22	23	26	29	35	39	47	65	78
M12	22.6	30	37.6	40	45	50	60	67	80	113	135
M14	36	48	60	65	72	79	95	107	130	180	215
M16	55	73	92	98	110	122	147	165	196	275	330

建議

輕按起停開關 (8) 時，轉速較低。逐漸在開關上加壓，轉速也會跟著提高。

溫控的過載保護裝置

只要按照規定使用，電動工具就不可能過載。萬一負載過重或充電電池的溫度已超出允許範圍，電動工具上的電子設備將自動暫時關機，直到溫度重新回到理想操作溫度的範圍內。

作業注意事項

▶ 電動工具應先停止運轉，然後才放到螺母/螺栓上。轉動中的嵌件工具可能會滑開。

扭力大小與衝擊時間長短有關。最大扭矩是所有經由衝擊所產生的單一扭力的總和。衝擊時間持續 6 至 10 秒鐘後，即達到最大扭矩。超過這段時間，旋緊扭力僅微微增加。

必須測量每個旋緊扭力的持續衝擊時間。隨時以扭力扳手，檢查實際達到的旋緊扭力。

硬底旋接、彈性底旋接或軟底旋接

如果將每次衝擊時達到的扭力測量出來並記錄在圖表上，可以看到扭力變化曲線。曲線的最高點是最大扭矩。上升線段即為到達最大扭矩所需的時間。

扭力曲線的演變會受以下因素影響：

- 螺栓/螺母的強度
- 墊片的種類 (圓形墊片、碟形彈簧、密封件)
- 即將被旋入之底材強度
- 螺栓是否塗抹了潤滑油

綜合以上因素，大致可以歸類出下列的應用方式：

- **硬底旋接**指的是在使用墊片的前提下，將金屬螺栓鎖到金屬材料上。經過短暫的衝擊之後便可以達到最大扭矩 (上升曲線較陡)。不必要的延長衝擊時間只會損壞機器。
- **彈性底旋接**指的是在使用彈簧圈、碟形彈簧、無頭螺絲或帶圓錐座的螺栓/螺母以及延長零件等的情況下，將金屬螺栓鎖到金屬材料上。
- **軟底旋接**，像是將金屬螺栓鎖到木材上或者是使用鉛質墊片或纖維墊片。

彈性底旋接和軟底旋接的最大扭力小於硬底旋接的最大扭力。而且前者需要的衝擊時間明顯超越後者。

將較大、較長螺栓旋入堅硬材質之前，應先以螺紋孔底徑預鑽孔至 2/3 螺栓長度。

提示：不得有任何微小金屬物跑進電動工具內部。

如何正確地使用充電電池

妥善保護充電電池，避免濕氣和水分滲入。
 充電電池必須儲存在 -20°C 至 50°C 的環境中。
 夏天不可以把充電電池擱置在汽車中。
 偶爾用柔軟、乾淨且乾燥的毛刷清潔充電電池的通氣孔。
 充電後如果充電電池的使用時間明顯縮短，代表充電電池已經損壞，必須更換新的充電電池。
 請您遵照廢棄物處理相關指示。

維修和服務

維修和清潔

- ▶ 請定期清潔電動工具的通風口。電動機風扇會將灰塵吸進機殼，過多的金屬粉末沉積會導致電氣危險。
- ▶ 在電動工具上進行任何維護的工作（例如維修，更換工具等）以及搬運和儲存電動工具之前，都必須電動工具中取出充電電池。若是不小心觸動起停開關，可能造成人員受傷。
- ▶ 電動工具和通風口都必須保持清潔，這樣才能夠提高工作品質和安全性。

顧客服務處和顧客諮詢中心

本公司顧客服務處負責回答有關本公司產品的維修、維護和備用零件的問題。以下的網頁中有分解圖和備用零件相關資料：www.bosch-pt.com
 如果對本公司產品及其配件有任何疑問，博世應用諮詢小組很樂意為您提供協助。
 當您需要諮詢或訂購備用零件時，請務必提供本產品型號銘牌上 10 位數的產品機號。

台灣進口商

台灣羅伯特博世股份有限公司
 建國北路一段90號6樓
 台北市10491
 電話: (02) 7734 2588
 傳真: (02) 2516 1176
www.bosch-pt.com.tw

製造商地址:

Robert Bosch Power Tools GmbH
 羅伯特·博世電動工具有限公司
 70538 Stuttgart / GERMANY
 70538 斯圖加特/德國

以下更多客戶服務處地址：

www.bosch-pt.com/serviceaddresses

搬運

建議使用的鋰離子充電電池受危險物品法的規範。使用者無須另外使用保護包裝便可運送該充電電池。
 但是如果將它交由第三者運送（例如：寄空運或委託運輸公司），則應遵照包裝與標示的相關要求。

此時必須向危險物品專家請教有關寄送危險物品的相關事宜。

確定充電電池的外殼未受損後，才可以寄送充電電池。用膠帶貼住裸露的接點並妥善包裝充電電池，不可以讓充電電池在包裝材料中晃動。同時也應留意各國相關法規。

廢棄物處理



必須以符合環保的方式，將損壞的電動工具、充電電池、配件和包裝材料進行回收再利用。



不可以把電動工具和充電電池/拋棄式電池丟入一般家庭垃圾中！

充電電池/拋棄式電池：

鋰離子：

請注意「搬運」段落中的指示（參見「搬運」，頁 44）。

ไทย

คำเตือนเพื่อความปลอดภัย

คำเตือนเพื่อความปลอดภัยทั่วไปสำหรับเครื่องมือไฟฟ้า

คำเตือน อ่านคำเตือนเพื่อความปลอดภัย คำแนะนำ ภาพประกอบ และข้อมูลจำเพาะทั้งหมดที่จัดส่งมาพร้อมกับเครื่องมือไฟฟ้า การไม่ปฏิบัติตามคำแนะนำทั้งหมดที่ระบุไว้ด้านล่างนี้อาจทำให้ถูกไฟฟ้าดูด เกิดไฟไหม้ และ/หรือได้รับบาดเจ็บอย่างร้ายแรง

เก็บรักษาคำเตือนและคำสั่งทั้งหมดสำหรับเปิดอ่านในภายหลัง

คำว่า "เครื่องมือไฟฟ้า" ในคำเตือนหมายถึง เครื่องมือไฟฟ้าของทำงานที่ทำงานด้วยพลังงานไฟฟ้าจากแหล่งจ่ายไฟหลัก (มีสายไฟฟ้า) และเครื่องมือไฟฟ้าที่ทำงานด้วยพลังงานไฟฟ้าจากแบตเตอรี่ (ไร้สาย)

ความปลอดภัยในสถานที่ทำงาน

- ▶ รักษาสถานที่ทำงานให้สะอาดและมีไฟส่องสว่างดี สถานที่ที่มีมืดหรือกรงรังนำมาซึ่งอุบัติเหตุ
- ▶ อย่าใช้เครื่องมือไฟฟ้าทำงานในสภาพบรรยากาศที่จุดติดไฟได้ เช่น ในที่มีมีของเหลวไวไฟ ก๊าซ หรือฝุ่น เมื่อใช้เครื่องมือไฟฟ้าจะเกิดประกายไฟซึ่งอาจจุดฝุ่นหรือไอให้ลุกเป็นไฟได้
- ▶ ขณะใช้เครื่องมือไฟฟ้าทำงาน ต้องกั้นเด็กและผู้ยืมดูให้ออกห่าง

การหันเหความสนใจอาจทำให้ท่านขาดการควบคุมเครื่องไ
ด

ความปลอดภัยเกี่ยวกับไฟฟ้า

- ▶ ปลั๊กของเครื่องมือไฟฟ้าต้องเหมาะสมพอดีกับเต้าเสียบ อย่าตัดแปลงปลั๊กไม่ว่าในลักษณะใดๆ อย่างเด็ดขาด อย่าใช้ปลั๊กพวงต่อใดๆ กับเครื่องมือไฟฟ้าที่มีสายดิน ปลั๊กที่ไม่ตัดแปลงและเต้าเสียบที่เข้ากันช่วยลดความเสียหายจากการถูกไฟฟ้าดูด
- ▶ หลีกเลี่ยงอย่าให้ร่างกายสัมผัสกับพื้นผิวที่ต่อสายดินหรือลงกราวด์ไว้ เช่น ท่อ เครื่องทำความร้อน เต้า และตู้เย็น จะเสี่ยงอันตรายจากการถูกไฟฟ้าดูดมากขึ้นหากกระแสไฟฟ้าวิ่งผ่านร่างกายของท่านลงดิน
- ▶ อย่าให้เครื่องมือไฟฟ้าถูกฝนหรืออยู่ในสภาพเปียกชื้น หากนำเข้าไปในเครื่องมือไฟฟ้า จะเพิ่มความเสี่ยงจากการถูกไฟฟ้าดูด
- ▶ อย่าใช้สายไฟฟ้าในทางที่ผิด อย่าใช้สายไฟฟ้าเพื่อยก ดึง หรือถอดปลั๊กเครื่องมือไฟฟ้า กั้นสายไฟฟ้าออกจากความร้อน น้ำมัน ขอบแหลมคม หรือชิ้นส่วนที่เคลื่อนที่ สายไฟฟ้าที่ชำรุดหรือพันกันยุ่งเพิ่มความเสี่ยงจากการถูกไฟฟ้าดูด
- ▶ เมื่อใช้เครื่องมือไฟฟ้าทำงานกลางแจ้ง ให้ใช้สายไฟต่อที่เหมาะสมสำหรับงานกลางแจ้ง ช่วยลดอันตรายจากการถูกไฟฟ้าดูด
- ▶ หากไม่สามารถหลีกเลี่ยงการใช้เครื่องมือไฟฟ้าทำงานในสถานที่เปียกชื้นได้ ให้ใช้สวิชต์ตัวจอร์เมื่อเกิดการรั่วไหลของไฟฟ้าจากสายดิน (RCD) การใช้สวิชต์ตัวจอร์เมื่อเกิดการรั่วไหลของไฟฟ้าจากสายดินช่วยลดความเสี่ยงต่อการถูกไฟฟ้าดูด

ความปลอดภัยของบุคคล

- ▶ ท่านต้องอยู่ในสภาพเตรียมพร้อม ระวังระดับในสิ่งที่ท่านกำลังทำอยู่ และมีสติขณะใช้เครื่องมือไฟฟ้าทำงาน อย่าใช้เครื่องมือไฟฟ้าขณะที่ท่านกำลังเหนื่อยหรืออยู่ภายใต้การครอบงำของฤทธิ์ของยาเสพติด แอลกอฮอล์ และยา เมื่อใช้เครื่องมือไฟฟ้าทำงานในชั้นฟ้าที่หันขาดความเอาใจใส่อาจทำให้บุคคลบาดเจ็บอย่างรุนแรงได้
- ▶ ใช้อุปกรณ์ปกป้องร่างกาย สวมแว่นตาป้องกันเสมอ อุปกรณ์ปกป้อง เช่น หน้ากากกันฝุ่น รองเทากันลื่น หมวกแข็ง หรือประคบทุกชิ้นเสี่ยงดั่งที่ไปตามความเหมาะสมกับสภาพการทำงาน จะลดการบาดเจ็บทางร่างกาย
- ▶ บังคับการคิดเครื่องโดยไม่ตั้งใจ ตรวจสอบให้แน่ใจว่าสวิทช์อยู่ในตำแหน่งปิดก่อนเชื่อมต่อเข้ากับแหล่งจ่ายไฟ และ/หรือแบตเตอรี่แท้ๆ ยกหรือถือเครื่องมือการถือเครื่องโดยใช้นิ้วหัวที่สวิทช์ หรือเสียบปลั๊กไฟพร้อมสวิทช์เปิดอยู่ อาจนำไปสู่อุบัติเหตุที่ร้ายแรงได้
- ▶ นำเครื่องมือปรับแต่งหรือประแจปากคายนอกก่อนเปิดสวิทช์เครื่องมือไฟฟ้า เครื่องมือหรือประแจปากคายนี้อาจอยู่กึ่งกลางของเครื่องที่กำลังหมุนจะทำให้บุคคลบาดเจ็บได้
- ▶ อย่าเอื้อมไกลเกินไป ตั้งทำยี่ห้อที่มั่นคงและวางน้ำหนักให้สมดุลตลอดเวลา

ในลักษณะนี้ท่านสามารถควบคุมเครื่องมือไฟฟ้าในสถานการณ์ที่ไม่คาดคิดได้ดีกว่า

- ▶ แต่งกายอย่างเหมาะสม อย่าใส่เสื้อผ้าหลวมหรือสวมเครื่องประดับ เอาหมวกและเสื้อผ้ออกห่างจากชิ้นส่วนที่เคลื่อนที่ เสื้อผ้าหลวม เครื่องประดับ และผมยาวอาจเข้าไปติดในชิ้นส่วนที่เคลื่อนที่
- ▶ หากเครื่องมือไฟฟ้ามีข้อเชื่อมต่อที่เครื่องดูดฝุ่นหรือเครื่องเก็บผง ให้ตรวจสอบให้แน่ใจว่าได้เชื่อมต่อและใช้งานอย่างถูกต้อง การใช้อุปกรณ์ดูดฝุ่นช่วยลดอันตรายที่เกิดจากฝุ่นได้
- ▶ เมื่อใช้งานเครื่องมือบ่อยครั้งจะเกิดความคุ้นเคย อย่าให้ความคุ้นเคยทำให้ท่านเกิดความชะล่าใจและละเลยกฎเกณฑ์ความปลอดภัยในการใช้งานเครื่อง การทำงานอย่างไม่ระมัดระวังอาจทำให้เกิดการบาดเจ็บอย่างร้ายแรงภายในเสี้ยววินาที

การใช้และการดูแลรักษาเครื่องมือไฟฟ้า

- ▶ อย่างฝืนกำลังเครื่องมือไฟฟ้า ใช้เครื่องมือไฟฟ้าที่ต้องตรงตามลักษณะงานของท่าน เครื่องมือไฟฟ้าที่ต้องตรงจะทำงานได้ดีกว่าและปลอดภัยกว่าในระดับสมรรถภาพที่ออกแบบไว้
- ▶ อย่าใช้เครื่องมือไฟฟ้าถ้าสวิทช์ไม่สามารถเปิดปิดได้ เครื่องมือไฟฟ้าที่ไม่สามารถควบคุมการเปิดปิดด้วยสวิทช์ได้ เป็นเครื่องมือไฟฟ้าที่ไม่ปลอดภัยและต้องส่งซ่อมแซม
- ▶ ก่อนปรับแต่งเครื่อง เปลี่ยนอุปกรณ์ประกอบ หรือเก็บเครื่องเข้าที่ ต้องถอดปลั๊กออกจากแหล่งจ่ายไฟ และ/หรือถอดแบตเตอรี่แท้ๆออกจากเครื่องมือไฟฟ้าหากถอดออกได้
- ▶ มาตรการป้องกันเพื่อความปลอดภัยซึ่งช่วยลดความเสี่ยงจากการติดเครื่องโดยไม่ตั้งใจ
- ▶ เมื่อเลิกใช้งานเครื่องมือไฟฟ้า ให้เก็บเครื่องมือในที่ที่เด็กหยิบไม่ถึง และไมอนุญาตให้บุคคลที่ไม่คุ้นเคยกับเครื่องหรือบุคคลที่ไม่ได้อ่านคำแนะนำนำเหล่านี้ใช้เครื่องมือไฟฟ้าเป็นของอันตรายหากตกอยู่ในมือของผู้ใช้ที่ไม่ได้รับการฝึกฝน
- ▶ บำรุงรักษาเครื่องมือไฟฟ้าและอุปกรณ์ประกอบ ตรวจสอบชิ้นส่วนที่เคลื่อนที่ว่ามีรูปร่างไม่ตรงแนวหรือติดขัดหรือไม่ ตรวจสอบการแตกหักของชิ้นส่วนและสภาพอื่นใดที่อาจมีผลต่อการทำงานของเครื่องมือไฟฟ้า หากชำรุดต้องส่งเครื่องมือไฟฟ้าไปซ่อมแซมก่อนใช้งาน อุบัติเหตุหลายอย่างเกิดขึ้นเนื่องจากดูแลรักษาเครื่องมือผิด
- ▶ รักษาเครื่องมือตัดให้คมและสะอาด หากบำรุงรักษาเครื่องมือที่มีขอบตัดแหลมคมอย่างถูกต้องจะสามารถตัดได้ลื่นไม่ติดขัดและควบคุมได้ง่ายกว่า
- ▶ ใช้เครื่องมือไฟฟ้า อุปกรณ์ประกอบ เครื่องมือ และอุปกรณ์อื่นๆ ตรงตามคำแนะนำนำเหล่านี้ โดยคำนึงถึงเงื่อนไขการทำงานและงานที่จะทำ การใช้เครื่องมือไฟฟ้าทำงานที่ต่างไปจากวัตถุประสงค์การใช้งานของเครื่อง อาจนำไปสู่สถานการณ์ที่เป็นอันตรายได้
- ▶ ดูแลตามจับและพื้นผิวจับให้แห้ง สะอาด และปราศจากคราบน้ำมันและจาระบี ตามจับและพื้นผิว

จับที่สั้นทำให้หยิบจับได้ไม่ปลอดภัย
และไม่สามารถควบคุมเครื่องมือในสถานการณ์ที่ไม่คาดคิด

การใช้และการดูแลรักษาเครื่องที่ใช้แบตเตอรี่

▶ ชาร์จไฟใหม่ด้วยเครื่องชาร์จที่บริษัทผู้ผลิตระบุไว้เท่านั้น

เครื่องชาร์จที่เหมาะสมสำหรับชาร์จแบตเตอรี่แพ็คประเภทหนึ่ง หากลนำไปชาร์จแบตเตอรี่แพ็คประเภทอื่น อาจเกิดไฟไหม้ได้

▶ ใช้เครื่องมือไฟฟ้าเฉพาะกับแบตเตอรี่แพ็คที่กำหนดไว้เท่านั้น การใช้แบตเตอรี่แพ็คประเภทอื่นเสี่ยงต่อการเกิดไฟไหม้หรือบาดเจ็บ

▶ เมื่อไม่ใช้งานแบตเตอรี่แพ็ค ให้เก็บไว้ห่างวัตถุที่เป็นโลหะอื่นๆ เช่น คลิปหนีบกระดาษ เหรียญ กุญแจ ตะปู สกรู หรือวัตถุที่เป็นโลหะขนาดเล็กอื่นๆ ที่สามารถเชื่อมต่อขั้วหนึ่งไปยังอีกขั้วหนึ่งได้ การลัดวงจรของขั้วแบตเตอรี่อาจทำให้เกิดการไหม้หรือไฟลุกได้

▶ หากใช้แบตเตอรี่อย่างอาจมีของเหลวไหลออกมาจากแบตเตอรี่ได้ ให้หลีกเลี่ยงการสัมผัส หากสัมผัสโดยบังเอิญ ให้ใช้น้ำล้าง หากของเหลวไหลเข้าตา ให้ขอความช่วยเหลือจากแพทย์ด้วย ของเหลวที่ไหลออกมาจากแบตเตอรี่อาจทำให้เกิดอาการคันหรือแสบผิวหนังได้

▶ อย่าใช้แบตเตอรี่แพ็คหรือเครื่องมือที่ชำรุดหรือดัดแปลง

แบตเตอรี่ที่ชำรุดหรือดัดแปลงอาจแสดงอาการที่ไม่สามารถคาดเดาได้ ส่งผลให้เกิดไฟไหม้ ระเบิด หรือความเสี่ยงต่อการได้รับบาดเจ็บ

▶ อย่าใช้แบตเตอรี่แพ็คหรือเครื่องมือสัมผัสไฟหรืออุณหภูมิที่สูงเกินไป หากสัมผัสไฟหรืออุณหภูมิที่สูงกว่า 130 °C อาจทำให้เกิดการระเบิดได้

▶ ปฏิบัติตามคำแนะนำเกี่ยวกับกรชาร์จทั้งหมด และต่อไม่ชาร์จแบตเตอรี่แพ็คหรือเครื่องมือออกช่วงอุณหภูมิที่กำหนดในคำแนะนำ การชาร์จแบตเตอรี่อย่างไม่ถูกวิธีหรือออกช่วงอุณหภูมิที่กำหนด อาจทำให้แบตเตอรี่เสียหายและเพิ่มความเสี่ยงต่อการเกิดไฟไหม้

การบริการ

▶ ส่งเครื่องมือไฟฟ้าของท่านเข้ารับบริการจากช่างซ่อมที่มีคุณสมบัติเหมาะสม โดยใส่อะไหล่ที่เหมือนกันเท่านั้น ในลักษณะนี้ท่านจะแน่ใจได้ว่าเครื่องมือไฟฟ้าอยู่ในสภาพที่ปลอดภัย

▶ อย่าบำรุงรักษาแบตเตอรี่แพ็คที่ชำรุดอย่างเด็ดขาด ต้องส่งไปบริษัทผู้ผลิตหรือศูนย์บริการที่ได้รับอนุญาตทำการบำรุงรักษาแบตเตอรี่แพ็คเท่านั้น

คำเตือนเพื่อความปลอดภัยสำหรับไขควง

▶ เมื่อทำงานในบริเวณที่สกรูอาจสัมผัสสายไฟฟ้าที่ซ่อนอยู่ ต้องจับเครื่องมือไฟฟ้าตรงพื้นผิวจับทั้งหมดจนกว่าสกรูสัมผัสสายที่ “มีกระแสไฟฟ้า” ไหลผ่าน จะทำให้ชิ้นส่วนโลหะที่ไม่ได้หุ้มฉนวนของเครื่องมือไฟฟ้าเกิด “มีกระแสไฟฟ้า” ด้วย และส่งผลให้ใช้งานเครื่องมือถูกไฟฟ้าดูดได้

▶ ใช้เครื่องตรวจจับที่เหมาะสมเพื่อตรวจหาสายไฟฟ้าหรือท่อสารเคมีที่อาจซ่อนอยู่ในบริเวณทำงานหรือติดตั้งท่อสารเคมีในพื้นเพื่อขอความช่วยเหลือ การสัมผัสกับสายไฟฟ้าอาจทำให้เกิดไฟไหม้หรือถูกไฟฟ้าดูด การทำให้ออกแก๊สเสียหายอาจทำให้เกิดระเบิด การเจาะเข้าในท่อน้ำ ทำให้ทรัพย์สินเสียหาย

▶ จับเครื่องมือไฟฟ้าให้แน่น ขณะขันสกรูเข้าและคลายออก อาจเกิดแรงบิดสะท้อนขงสั้นๆ อย่างรุนแรงได้

▶ ยึดชิ้นงานให้แน่น การยึดชิ้นงานด้วยเครื่องมือหรือแท่นจับจะมั่นคงกว่าการยึดด้วยมือ

▶ รอให้เครื่องมือไฟฟ้าหยุดสนิทก่อนวางเครื่องลงบนพื้น เครื่องมือที่ใส่อยู่อาจติดขัดและทำให้สูญเสียการควบคุมเครื่องมือไฟฟ้า

▶ เมื่อแบตเตอรี่ชำรุดและนำไปใช้งานอย่างไม่ถูกต้อง อาจมีไอระเหยออกมาได้ แบตเตอรี่อาจเผาไหม้หรือระเบิดได้ให้สูดอากาศบริสุทธิ์และไปพบแพทย์ในกรณีเจ็บปวด ไอระเหยอาจทำให้ระบบหายใจระคายเคือง

▶ อย่าเปิดแบตเตอรี่ อันตรายจากการลัดวงจร

▶ วัตถุที่แหลมคม ต. ย. เช่น ตะปูหรือไขควง หรือแรงกระทำภายนอก อาจทำให้แบตเตอรี่เสียหายได้ สิ่งเหล่านี้อาจทำให้เกิดการลัดวงจรภายในและแบตเตอรี่ไหม้ มีควัน ระเบิด หรือร้อนเกินไป

▶ ใช้เฉพาะแบตเตอรี่จากผลิตภัณฑ์ของผู้ผลิต ในลักษณะนี้ แบตเตอรี่แพ็คจะได้รับการปกป้องจากการใช้งานเกินกำลังซึ่งเป็นอันตราย



ปกป้องแบตเตอรี่จากความร้อน รวมทั้ง ต. ย. เช่น จากการถูกแสงแดดส่องต่อเนื่อง จากไฟลิ่งสปริง น้ำ และความชื้น อันตรายจากการระเบิดและการลัดวงจร

รายละเอียดผลิตภัณฑ์และข้อมูลจำเพาะ



อ่านคำเตือนเพื่อความปลอดภัยและคำแนะนำทั้งหมด การไม่ปฏิบัติตามคำเตือนและคำสั่งอาจเป็นสาเหตุใหญ่ถูกไฟฟ้าดูด เกิดไฟไหม้และ/หรือได้รับบาดเจ็บอย่างร้ายแรง

กรุณาดูภาพประกอบในส่วนหน้าของคู่มือการใช้งาน

ประโยชน์การใช้งานของเครื่อง

เครื่องมือไฟฟ้านี้ใช้สำหรับขันสกรูเข้าและคลายออก รวมทั้งขันนอตให้แน่นและคลายออกในช่วงมิติที่กำหนดไว้

ส่วนประกอบที่แสดงในภาพ

ลำดับเลขของส่วนประกอบผลิตภัณฑ์อ้างอิงถึงส่วนประกอบของเครื่องมือไฟฟ้าที่แสดงในหน้าภาพประกอบ

- (1) ตามจับเครื่องมือ
- (2) ปลอดภัยสำหรับล้อ
- (3) สวิตช์ตั้งเกียร์
- (4) ตัวยึดสำหรับสายหัว
- (5) แบบปลอดภัยแบตเตอรี่

- (6) แบตเตอรี่
 (7) สวิตช์เปลี่ยนทิศทางการหมุน
 (8) สวิตช์เปิด-ปิด
 (9) หลอดไฟ "PowerLight"
 (10) ด้ามจับ (พื้นผิวจับหุ้มฉนวน)
 (11) ดอกไขควงสองหัว^{a)}

- (12) ก้านจับดอกทั่วไป^{b)}
 (13) ดอกไขควง^{a)}
 (14) เครื่องมือ (เช่น ลูกบ็อกซ์กระแทก)^{a)}

a) อุปกรณ์ประกอบที่แสดงภาพหรืออธิบายไม่รวมอยู่ในการจัดส่งมาตรฐาน
 กฎหมายอุปกรณ์ประกอบทั้งหมดในรายการแสดงอุปกรณ์ประกอบของเรา

ข้อมูลทางเทคนิค

ไขควงกระแทกไร้สาย		GDR 120-LI	GDS 120-LI
หมายเลขสินค้า		3 601 JF0 0..	3 601 JF0 1..
แรงดันไฟฟ้าที่กัด	V=	12	12
ความเร็วรอบเดินเบา ^{A)}			
- การตั้งค่า 1	นาที ¹	0-1300	0-1300
- การตั้งค่า 2	นาที ¹	0-2600	0-2600
อัตราการกระแทก ^{A)}			
- การตั้งค่า 1	นาที ¹	0-1500	0-1500
- การตั้งค่า 2	นาที ¹	0-2700	0-2700
แรงบิดสูงสุด ^{A)} สำหรับการขันสกรูที่เบื่องาน หนักตาม ISO 5393	นิวตันเมตร	100	105
Ø น็อตเกลียว	มม.	M4-M12	M4-M12
Ø สูงสุดของสกรู	มม.	8	8
ด้ามจับเครื่องมือ		เบาหกลื่น ¼ นิ้ว	■ 3/8 นิ้ว
น้ำหนักตามระเบียบการ EPTA-Procedure 01:2014	กก.	1,1	1,1
อุณหภูมิโดยรอบที่แนะนำเมื่อชาร์จ	°C	0 ... +35	0 ... +35
อุณหภูมิโดยรอบที่อนุญาตเมื่อใช้งาน ^{B)} และ เมื่อจัดเก็บ	°C	-20 ... +50	-20 ... +50
แบตเตอรี่แบบชาร์จได้ที่แนะนำ		GBA 12V ...	GBA 12V ...
เครื่องชาร์จที่แนะนำ		GAL 12 ... GAX 18 ...	GAL 12 ... GAX 18 ...

A) ดำเนินการวัด ณ อุณหภูมิ 20-25 °C พร้อมแบตเตอรี่ GBA 12V 2.0 Ah

B) สมรรถภาพจะน้อยลงที่อุณหภูมิ < 0 °C

ค่าอาจแตกต่างกันไปตามผลิตภัณฑ์และขึ้นอยู่กับเงื่อนไขการใช้งานและสภาพแวดล้อม โปรดดูข้อมูลเพิ่มเติมที่เว็บไซต์
www.bosch-professional.com/wac

การติดตั้ง

- ▶ ถอดแบตเตอรี่ออกจากเครื่องมือไฟฟ้าก่อนทำการปรับ
 ใดๆ ที่เครื่องมือไฟฟ้า (ดู. ย. เช่น บำรุงรักษา
 เปลี่ยนเครื่องมือ ฯลฯ) รวมทั้งเมื่อขนย้ายและเก็บรักษา
 อันตรายจากการบาดเจ็บหากสวิตช์เปิด-ปิดติดขึ้นอย่าง
 ตั้งใจ

การชาร์จแบตเตอรี่แบบชาร์จได้

- ▶ ใช้เฉพาะเครื่องชาร์จแบตเตอรี่ที่ระบุในข้อมูลทาง
 เทคนิคเท่านั้น เฉพาะเครื่องชาร์จแบตเตอรี่เหล่านี้

นี่เท่านั้นที่เข้าชุดกับแบตเตอรี่ลิเธียมไอออน ที่ใช้ในเครื่องมือ
 มือไฟฟ้าของท่าน

หมายเหตุ: แบตเตอรี่แพ็คที่จัดส่งมาถูกชาร์จมาแล้วบางส่วน
 เพื่อให้แบตเตอรี่แพ็คทำงานได้เต็มประสิทธิภาพ
 ต้องชาร์จแบตเตอรี่แพ็ค
 ในเครื่องชาร์จแบตเตอรี่ให้เต็มก่อนใช้งานเครื่องมือ
 มือไฟฟ้าของท่านเป็นครั้งแรก

แบตเตอรี่ลิเธียม ไอออน
 สามารถชาร์จได้ทุกเวลาโดยอายุการใช้งานจะไม่ลดลง การ
 ชัดจึงหวั่นระบวนการชาร์จไม่ทำให้แบตเตอรี่แพ็คเสียหาย
 "Electronic Cell Protection (ECP)" ช่วยป้องกันไม่
 ให้แบตเตอรี่ลิเธียม ไอออน จ่ายกระแสไฟออกอีก

เมื่อแบตเตอรี่แพ็คหมดไฟ วงจรป้องกันจะดับสวิตช์เครื่อง เครื่องมือที่ใส่อยู่จะ ไม่หมุนต่อ

▶ **เมื่อเครื่องมือไฟฟ้าปิดสวิตช์ลงโดยอัตโนมัติ อย่างคสรีทซ์ เปิด-ปิด อีกต่อไป** แบตเตอรี่แพ็คอาจชำรุดได้

การถอดแบตเตอรี่ (ดูภาพประกอบ A)

หากต้องการถอดแบตเตอรี่แพ็ค (6) ออก ให้กดแป้นปลด ล็อคแบตเตอรี่ (5) และดึงแบตเตอรี่แพ็คลงด้านล่างออกจาก เครื่องมือไฟฟ้า **อย่าใช้กำลังดึง**

การเปลี่ยนเครื่องมือ

▶ **ถอดแบตเตอรี่ออกจากเครื่องมือไฟฟ้าก่อนทำการปรับ แดงใดๆ ที่เครื่องมือไฟฟ้า (ต. ย. เช่น บำรุงรักษา เปลี่ยนเครื่องมือ ฯลฯ) รวมทั้งเมื่อขนย้ายและเก็บรักษา** อันตรายจากการบาดเจ็บหากสวิตช์เปิด-ปิดติดขึ้นอย่าง ไม่ตั้งใจ

GDR 120-LI:

การใส่เครื่องมือสำหรับใช้งาน (ดูภาพประกอบ B)

ดึงปลอกล็อค (2) ไปทางด้านหน้า ใส่เครื่องมือสำหรับใช้งาน เข้ากับตัวยึดเครื่องมือ (1) จนสุด แล้วปล่อยปลอกล็อค (2) อีกครั้งเพื่อล็อคเครื่องมือสำหรับใช้งาน คุณสามารถใส่ดอกไขควง (13) เข้ากับตัวยึดดอกไขควง อเนกประสงค์ที่มีสลักล็อคทรงกลม (12) ได้

การถอดเครื่องมือ

ดึงปลอกสำหรับล็อค (2) ไปด้านหน้าและถอดเครื่องมือออก

GDS 120-LI: (ดูภาพประกอบ C)

▶ **เมื่อใส่เครื่องมือ ต้องตรวจสอบให้แน่ใจว่าเครื่องมือได้ วางอยู่ในตามจับเครื่องมืออย่างแนบหนา** หากเครื่องมือ ไม่ถูกเชื่อมต่อกับตามจับเครื่องมืออย่างแนบหนา เครื่องมืออาจหลุดออกมาระหว่างการใช้งาน

ต้นเครื่องมือสำหรับใช้งาน (14) เข้ากับหัวทรงสี่เหลี่ยม ของตัวยึดเครื่องมือ (1)

เนื่องด้วยวิธีการทำงานของระบบ เครื่องมือสำหรับใช้งาน (14) จะวางอยู่ในตัวยึดเครื่องมือ (1) โดยมีระยะหลวมเล็กน้อย ซึ่งไม่ส่งผลกระทบต่อการทำงาน/ความปลอดภัย

การปฏิบัติงาน

วิธีปฏิบัติงาน

ตามจับเครื่องมือ (1) พร้อมเครื่องมือขับเคลื่อนด้วยมอเตอร์ ไฟฟ้าผ่านเกียร์และกลไกกระแทก

ขั้นตอนการทำงานแบ่งออกเป็นสองระยะ:

การขันสกรู และ การทำให้แน่น (การทำงานกับ กลไกกระแทก)

กลไกกระแทกจะถูกกระตุ้นในทันทีที่ขันสกรูติดสนิทในชิ้น งานแล้ว และด้วยเหตุนี้มอเตอร์จึงถูกโหลด ในขั้นตอน นี้กลไกกระแทกจะเปลี่ยนพลังงานมอเตอร์เป็นการกระแทก มนุอย่างสม่ำเสมอ เมื่อคลายสกรูหรือนอตออก ให้ทำตามลำดับย้อนหลัง

การเริ่มต้นปฏิบัติงาน

การใส่แบตเตอรี่แบบชาร์จได้

ตั้งสวิตช์เปลี่ยนทิศทางการทำงาน (7) ไว้ที่กึ่งกลางเพื่อป้องกันการ เปิดสวิตช์โดยไม่ตั้งใจ ใส่แบตเตอรี่แพ็คที่ชาร์จไฟแล้ว (6) เข้าในตามจับจนได้ยินเสียงล็อคเข้าที่และวางราบเสมอกันกับตามจับ

การตั้งทิศทางการทำงาน (ดูภาพประกอบ D)

ท่านสามารถเปลี่ยนทิศทางการทำงานของเครื่องมือไฟฟ้าได้ ด้วยสวิตช์เปลี่ยนทิศทางการทำงาน (7) อย่างไรก็ตาม หากสวิตช์ เปิด-ปิด (8) ถูกกดอยู่ จะกลับทิศทางการทำงานไม่ได้

การหมุนทวนเข็มนาฬิกา: สำหรับขันสกรูและขันนอตให้แน่น ให้กดสวิตช์เปลี่ยนทิศทางการทำงาน (7) ไปทางซ้ายจนสุด

การหมุนทวนเข็มนาฬิกา: สำหรับคลายหรือหมุนสกรูและนอตออก ให้กดสวิตช์เปลี่ยนทิศทางการทำงาน (7) ไปทางขวาจนสุด

การเลือกเกียร์ ระบบกลไก

▶ **สับสวิตช์ตั้งเกียร์ (3) เมื่อเครื่องหยุดนิ่งอยู่กับที่เท่านั้น** ปุ่มตั้งเกียร์ (3) สามารถตั้งความเร็วรอบล่วงหน้าได้สองช่วง **เกียร์ I:**

ความเร็วรอบต่ำ สำหรับการขันสกรู หรือการเจาะรูเส้นผ่าศูนย์กลางขนาดใหญ่

เกียร์ II:

ความเร็วรอบสูงกว่า สำหรับการเจาะรูเส้นผ่าศูนย์กลางขนาดเล็ก

หากสับปุ่มตั้งเกียร์ (3) เข้าล็อคได้ไม่เต็มที่ ให้หมุนเพลาลับ ด้วยดอกสว่านเล็กน้อย

การเปิด-ปิดเครื่อง

สแตร์ท เครื่องมือไฟฟ้าโดยกดสวิตช์เปิด-ปิด (8) และกดค้างไว้

หยุดไฟ (9) ดัดขึ้นเมื่อกดสวิตช์เปิด-ปิด (8) เล็กน้อยหรือเต็มที่ และช่วยส่องสว่างพื้นที่ทำงานเมื่อมีสภาพแสงที่ไม่เหมาะสม

ปิด เครื่องมือไฟฟ้าโดยปล่อยนิ้วจากสวิตช์เปิด-ปิด (8)

การปรับความเร็วรอบ

ท่านสามารถปรับความเร็วรอบของเครื่องมือไฟฟ้าที่เปิดสวิตช์ อยู่ได้อย่างต่อเนื่องตามแรงกดมากน้อยบนสวิตช์เปิด-ปิด (8)

การกดสวิตช์เปิด-ปิด (8) เบาจะได้ความเร็วรอบต่ำ การกดสวิตช์แรงยิ่งขึ้นจะได้ความเร็วรอบสูงขึ้น

การป้องกันการใช้งานเกินกำลังโดยอาศัยอุณหภูมิ

เมื่อใช้งานเครื่องมือไฟฟ้าตรงตามวัตถุประสงค์ เครื่องจะไม่ทำงานเกินกำลัง หากเครื่องมือไฟฟ้าทำงานเกินกำลังหรือ แบตเตอรี่แพ็คมีอุณหภูมิสูงกว่าที่อนุญาต ระบบควบคุม อิเล็กทรอนิกส์จะปิดสวิตช์เครื่องมือจนกว่าอุณหภูมิจะอยู่ในช่วง อุณหภูมิที่เหมาะสมอีกครั้ง

คำแนะนำในการปฏิบัติงาน

▶ **จับเครื่องมือไฟฟ้าข้ามหน้าสกรู/นอตเมื่อเครื่องปิดอยู่กับที่** เครื่องมือที่หมุนอยู่อาจลื่นไถล

แรงบิดจะขึ้นอยู่กักระยะเวลากระแทก แรง บิดสูงสุดที่ได้เป็นผลจากยอดรวมของแต่ละแรงบิดที่ได้ จากการกระแทก โดยจะไต่แรงบิดสูงสุดหลังจากระยะเวลา

กระแทกผ่านไป 6-10 วินาที หลังจากช่วงเวลาดังกล่าว แรงบิดจะเพิ่มขึ้นเพียงเล็กน้อยเท่านั้น
ระยะเวลากระแทกจำเป็นต้องได้รับการกำหนดสำหรับทุกแรงบิดที่จำเป็น ทั้งนี้ให้ตรวจสอบแรงบิดที่แท้จริงโดยใช้ประแจทอกรูเสมอ

การขันเกลียวเนื้อแข็ง ยึดหยุน หรือมุม

ในการทดสอบ หากแรงบิดที่ได้ในการกระแทกเป็นลำดับติดต่อกันถูกวัดและถ่ายโอนเข้าสู่แผนภาพ ระบบจะแสดงผลเป็นเส้นโค้งตามลักษณะของแรงบิด ระดับความสูงของเส้นโค้งจะสอดคล้องกับแรงบิดสูงสุดที่ได้ ขณะที่ระดับความชันจะแสดงเวลาที่แรงบิดถึงระดับสูงสุด

ลักษณะของแรงบิดจะขึ้นอยู่กับปัจจัยต่อไปนี้:

- ความแข็งของสกรู/น็อต
- ประเภทของฐานรอง (ประเภทวงแหวน สปริงจาน หรือซีล)
- ความแข็งของวัสดุที่จะขันสกรู
- สัดส่วนการหล่อลื่นบริเวณรอยต่อสกรู

ค่าอ้างอิงสำหรับแรงบิดขั้นแน่นสูงสุดสำหรับสกรู

กำหนดเป็น Nm ค่ารวมจากจุดตัดแรงเค้น; การไขประโยชน์จากจุดคราก 90% (มีค่าสัมประสิทธิ์ของแรงเสียดทาน μ_{ms} = 0.12) สำหรับการควบคุม ให้ตรวจสอบแรงบิดขั้นแน่นด้วยประแจวัดแรงบิดเสมอ

ระดับ คุณสมบัติตาม DIN 267	สกรู/โบลทมาตรฐาน								โบลทความแข็งแรงสูง			
	3.6	4.6	5.6	4.8	6.6	5.8	6.8	6.9	8.8	10.9	12.9	
M6	2.71	3.61	4.52	4.8	5.42	6.02	7.22	8.13	9.7	13.6	16.2	
M8	6.57	8.7	11	11.6	13.1	14.6	17.5	19.7	23	33	39	
M10	13	17.5	22	23	26	29	35	39	47	65	78	
M12	22.6	30	37.6	40	45	50	60	67	80	113	135	
M14	36	48	60	65	72	79	95	107	130	180	215	
M16	55	73	92	98	110	122	147	165	196	275	330	

เคล็ดลับ

ก่อนขันสกรูตัวใหญ่กว่า ยาวกว่า เข้าในเป็นวัสดุแข็ง ท่านควรเจาะรูนำด้วยเส้นผ่าศูนย์กลางหลักของเกลียวลึกประมาณ 2/3 ของความยาวสกรู

หมายเหตุ: ตรวจสอบให้แน่ใจว่าไม่มีชิ้นส่วนโลหะขนาดเล็กใดๆ ลอดเข้าไปในเครื่องมือไฟฟ้า

คำแนะนำสำหรับการจัดการกับแบตเตอรี่อย่างเหมาะสม

ปกป้องแบตเตอรี่จากความชื้นและน้ำ
เก็บรักษาแบตเตอรี่ในช่วงอุณหภูมิ - 20 °C ถึง 50 °C เท่านั้น อย่าปล่อยให้แบตเตอรี่ไว้ในรถยนต์ในช่วงฤดูร้อน
ทำความสะอาดช่องระบายอากาศเป็นประจำ
ควรรวโดยไขประโยชน์ก่อนที่แห้งและสะอาด
หลังจากชาร์จแบตเตอรี่แล้ว
หากแบตเตอรี่มีช่วงเวลาทำงานสั้นมาก แสดงว่าแบตเตอรี่เสื่อมและต้องเปลี่ยนใหม่

ปฏิบัติตามคำแนะนำสำหรับการกำจัดที่ถูกต้อง

เนื่องด้วยปัจจัยข้างต้น จึงสามารถขันเกลียวแบบต่างๆ ได้ดังต่อไปนี้:

- **การขันเกลียวเนื้อแข็ง**จะเกิดขึ้นเมื่อขันโลหะเข้ากับโลหะ โดยไขแหวนรอง หลังจากเวลากระแทกผ่านไปช่วงสั้นๆ แรงบิดจะถึงระดับสูงสุด (เส้นโค้งมีลักษณะลาดชัน) โดยการกระแทกเป็นเวลานานโดยไม่จำเป็นมีแต่จะทำให้เครื่องมือชำรุดเสียหายเท่านั้น
- **การขันเกลียวเนื้อยึดหยุน**จะเกิดขึ้นเมื่อขันโลหะเข้ากับโลหะ หากแต่ไขวงแหวนสปริง สปริงจาน สติคโบลท หรือสกรู/น็อตที่มีก้นรูปกรวย รวมถึงเมื่อไขสลับต่อขยาย
- **การขันเกลียวเนื้อนุ่ม**จะเกิดขึ้นเมื่อขันโลหะเข้ากับไม้เป็นต้น หรือเมื่อไขประโยชน์วงแหวนที่ทำงานกัดหรือไฟเบอร์เป็นฐานรอง

สำหรับการขันเกลียวเนื้อยึดหยุนหรือเนื้อนุ่ม แรงบิดสูงสุดจะต่ำกว่าแรงบิดในการขันเกลียวเนื้อแข็ง ทั้งยังจำเป็นต้องใช้เวลากระแทกนานกว่าอย่างเห็นได้ชัด

การบำรุงรักษาและการบริการ

การบำรุงรักษาและการทำความสะอาด

- ▶ **ทำความสะอาดช่องระบายอากาศของเครื่องมือไฟฟ้าอย่างสม่ำเสมอ** พัดลมของมอเตอร์จะดูดผงฝุ่นเข้าไปในหม้อครอบ และผงโลหะที่ฟอกสะสมกันมาก อาจทำให้เกิดอันตรายจากไฟฟ้าได้
- ▶ **ถอดแบตเตอรี่ออกจากเครื่องมือไฟฟ้าก่อนทำการปรับแต่งใดๆ ที่เครื่องมือไฟฟ้า (ค. ย. เช่น บำรุงรักษา เปลี่ยนเครื่องมือ ฯลฯ) รวมทั้งเมื่อขนย้ายและเก็บรักษา** อันตรายจากการบาดเจ็บหากสวิทช์เปิด-ปิดติดขึ้นอย่างไม่ตั้งใจ
- ▶ **เพื่อให้ทำงานได้อย่างถูกต้องและปลอดภัย ต้องรักษาเครื่องและช่องระบายอากาศให้สะอาดอยู่เสมอ**

การบริการหลังการขายและการให้คำปรึกษาการใช้งาน

ศูนย์บริการหลังการขายของเรายินดีตอบคำถามของท่านที่เกี่ยวกับการบำรุงรักษาและการซ่อมแซมผลิตภัณฑ์รวมทั้งเรื่องอะไหล่ ภาพเขียนแบบการประกอบและข้อมูลเกี่ยวกับอะไหล่ กรุณาดูใน: www.bosch-pt.com

ทีมงานที่ปรึกษาของ บอช ยินดีให้ข้อมูลเกี่ยวกับผลิตภัณฑ์ของเราและอุปกรณ์ประกอบต่างๆ เมื่อต้องการสอบถามและสั่งซื้ออะไหล่ กรุณาแจ้งหมายเลขสินค้า 10 หลักบนแผนป้ายรุ่นของผลิตภัณฑ์ทุกครั้ง

ไทย

ไทย บริษัท โรเบิร์ต บอช จำกัด
 เอพวยไอ เซ็นเตอร์ อาคาร 1 ชั้น 5
 เลขที่ 2525 ถนนพระราม 4
 แขวงคลองเตย เขตคลองเตย กรุงเทพฯ 10110
 โทร: +66 2012 8888
 แฟกซ์: +66 2064 5800
 www.bosch.co.th
 ศูนย์บริการซ่อมและฝึกอบรม บอช
 อาคาร ลานชาลาทาวเวอร์ ชั้น G ห้องเลขที่ 2
 บ้านเลขที่ 10/11 หมู่ 16
 ถนนศรีนครินทร์ ตำบลบางแก้ว อำเภอบางพลี
 จังหวัดสมุทรปราการ 10540
 ประเทศไทย
 โทรศัพท์ 02 7587555
 โทรสาร 02 7587525

สามารถดูที่อยู่ศูนย์บริการอื่น ๆ ได้ที่:
 www.bosch-pt.com/serviceaddresses

การขนส่ง

แบตเตอรี่ลิเธียมไอออนที่แนะนำให้ใช้ อยู่ภายใต้ข้อกำหนดแห่งกฎหมายสินค้าอันตราย ผู้ใช้สามารถขนส่งแบตเตอรี่แพ็คโดยทางถนนโดยไม่มีขอมติอื่นหากขนส่งโดยบุคคลที่สาม (เช่น : การขนส่งทางอากาศ หรือตัวแทนขนส่งสินค้า) ต้องปฏิบัติตามข้อกำหนดพิเศษเกี่ยวกับการบรรจุภัณฑ์และการติดฉลาก สำหรับการเตรียมสิ่งของที่จัดส่ง จำเป็นต้องปรึกษาผู้เชี่ยวชาญด้านวัตถุอันตราย ส่งแบตเตอรี่แพ็คเมื่อตัวหุ้มไม่ชำรุดเสียหายเท่านั้น ใช้แถบกาวยึดปิดหน้าสัมผัสที่เปิดอยู่ และนำแบตเตอรี่แพ็คใส่กล่องบรรจุโดยไม่ให้เคลื่อนไปมาในกล่องใด นอกจากนี้กรุณาปฏิบัติตามกฎระเบียบของประเทศซึ่งอาจมีรายละเอียดเพิ่มเติม

การกำจัดขยะ



เครื่องมือไฟฟ้า แบตเตอรี่แพ็ค อุปกรณ์ประกอบ และที่บหือ ต้องนำ

ไปแยกประเภทวัสดุเพื่อนำกลับมาใช้ใหม่โดยไม่ทำลายสภาพแวดล้อม



อย่าทิ้งเครื่องมือไฟฟ้าและแบตเตอรี่แพ็ค/แบตเตอรี่ที่นำกลับมาชาร์จใหม่ได้ ลงในขยะบ้าน!

แบตเตอรี่แพ็ค/แบตเตอรี่:

ลิเธียม ไอออน:

กรุณาปฏิบัติตามคำแนะนำในบทการขนส่ง (ดู "การขนส่ง", หน้า 50)

Bahasa Indonesia

Petunjuk Keselamatan

Petunjuk keselamatan umum untuk perkakas listrik

PERINGATAN Baca semua peringatan, petunjuk, ilustrasi, dan spesifikasi

keselamatan yang diberikan bersama perkakas listrik ini. Kesalahan dalam menjalankan petunjuk di bawah ini dapat mengakibatkan sengatan listrik, kebakaran, dan/atau cedera serius.

Simpanlah semua peringatan dan petunjuk untuk penggunaan di masa mendatang.

Istilah "perkakas listrik" dalam peringatan mengacu pada perkakas listrik yang dioperasikan dengan listrik (menggunakan kabel) atau perkakas listrik yang dioperasikan dengan baterai (tanpa kabel).

Keamanan tempat kerja

- ▶ **Jaga kebersihan dan pencahayaan area kerja.** Area yang berantakan atau gelap dapat memicu kecelakaan.
- ▶ **Jangan mengoperasikan perkakas listrik di lingkungan yang dapat memicu ledakan, seperti adanya cairan, gas, atau debu yang mudah terbakar.** Perkakas listrik dapat memancarkan bunga api yang kemudian mengakibatkan debu atau uap terbakar.
- ▶ **Jauhkan dari jangkauan anak-anak dan pengamat saat mengoperasikan perkakas listrik.** Gangguan dapat menyebabkan hilangnya kendali.

Keamanan listrik

- ▶ **Steker perkakas listrik harus sesuai dengan stopkontak. Jangan pernah memodifikasi steker. Jangan menggunakan steker adaptor bersama dengan perkakas listrik yang terhubung dengan sistem grounding.** Steker yang tidak dimodifikasi dan stopkontak yang cocok akan mengurangi risiko sengatan listrik.
- ▶ **Hindari kontak badan dengan permukaan yang terhubung dengan sistem grounding, seperti pipa, radiator, kompor, dan lemari es.** Terdapat peningkatan risiko terjadinya sengatan listrik jika badan Anda terhubung dengan sistem grounding.
- ▶ **Perkakas listrik tidak boleh terpapar hujan atau basah.** Air yang masuk ke dalam perkakas listrik menambah risiko terjadinya sengatan listrik.
- ▶ **Jangan menyalahgunakan kabel. Jangan gunakan kabel untuk membawa, menarik, atau melepas steker perkakas listrik. Jauhkan kabel dari panas, minyak, tepi yang tajam, atau komponen yang bergerak.** Kabel listrik yang rusak atau tersangkut menambah risiko terjadinya sengatan listrik.
- ▶ **Saat mengoperasikan perkakas listrik di luar ruangan, gunakan kabel ekstensi yang sesuai untuk penggunaan di luar ruangan.** Penggunaan kabel yang

cocok untuk pemakaian di luar ruangan mengurangi risiko terjadinya sengatan listrik.

- ▶ **Jika perkakas listrik memang harus dioperasikan di tempat yang lembap, gunakan pemutus arus listrik residu (RCD).** Penggunaan RCD akan mengurangi risiko terjadinya sengatan listrik.

Keselamatan personel

- ▶ **Tetap waspada, perhatikan aktivitas yang sedang dikerjakan dan gunakan akal sehat saat mengoperasikan perkakas listrik. Jangan gunakan perkakas listrik saat mengalami kelelahan atau di bawah pengaruh narkoba, alkohol, atau obat-obatan.** Jika perkakas listrik dioperasikan dengan daya konsentrasi yang rendah, hal tersebut dapat menyebabkan cedera serius.
- ▶ **Gunakan peralatan pelindung diri. Selalu kenakan pelindung mata.** Penggunaan perlengkapan pelindung seperti penutup telinga, helm, sepatu anti licin, dan masker debu akan mengurangi cedera.
- ▶ **Hindari start yang tidak disengaja. Pastikan switch berada di posisi off sebelum perkakas listrik dihubungkan ke sumber daya listrik dan/atau baterai, diangkat, atau dibawa.** Membawa perkakas listrik dengan jari menempel pada tombol atau perkakas listrik dalam keadaan hidup dapat memicu kecelakaan.
- ▶ **Singkirkan kunci penyetel atau kunci pas sebelum menghidupkan perkakas listrik.** Perkakas atau kunci pas yang masih menempel pada komponen perkakas listrik yang berputar dapat menyebabkan cedera.
- ▶ **Jangan melampaui batas. Berdirilah secara mantap dan selalu jaga keseimbangan.** Hal ini akan memberikan kontrol yang lebih baik terhadap perkakas listrik pada situasi yang tak terduga.
- ▶ **Kenakan pakaian dengan wajar. Jangan mengenakan perhiasan atau pakaian yang longgar. Jauhkan rambut dan pakaian dari komponen yang bergerak.** Pakaian yang longgar, rambut panjang, atau perhiasan dapat tersangkut dalam komponen yang bergerak.
- ▶ **Jika disediakan perangkat untuk sambungan pengisapan debu dan alat pengumpulan, pastikan perangkat tersebut terhubung dan digunakan dengan benar.** Penggunaan alat pengumpulan dapat mengurangi bahaya yang disebabkan oleh debu.
- ▶ **Jangan berpuas diri dan mengabaikan prinsip keselamatan karena terbiasa mengoperasikan perkakas.** Tindakan yang kurang hati-hati dapat mengakibatkan cedera serius dalam waktu sepersekian detik.

Penggunaan dan pemeliharaan perkakas listrik

- ▶ **Jangan memaksakan perkakas listrik. Gunakan perkakas listrik yang sesuai untuk pekerjaan yang dilakukan.** Perkakas listrik yang sesuai akan bekerja dengan lebih baik dan aman sesuai tujuan penggunaan.
- ▶ **Jangan gunakan perkakas listrik dengan switch yang tidak dapat dioperasikan.** Perkakas listrik yang

switchnya yang tidak berfungsi dapat menimbulkan bahaya dan harus diperbaiki.

- ▶ **Lepaskan steker dari sumber listrik dan/atau lepas baterai, jika dapat dilepaskan dari perkakas listrik sebelum menyatel, mengganti aksesoris, atau menyimpan perkakas listrik.** Tindakan preventif akan mengurangi risiko menghidupkan perkakas listrik secara tidak disengaja.
- ▶ **Jauhkan dan simpan perkakas listrik dari jangkauan anak-anak dan jangan biarkan orang-orang yang tidak mengetahui cara menggunakan perkakas listrik, mengoperasikan perkakas listrik.** Perkakas listrik dapat membahayakan jika digunakan oleh orang-orang yang tidak terlatih.
- ▶ **Lakukan pemeliharaan perkakas listrik dan aksesoris. Periksa komponen yang bergerak apabila tidak lurus atau terikat, kerusakan komponen, dan kondisi lain yang dapat mengganggu pengoperasian perkakas listrik. Apabila rusak, perbaiki perkakas listrik sebelum digunakan.** Kecelakaan sering terjadi karena perkakas listrik tidak dirawat dengan baik.
- ▶ **Jaga ketajaman dan kebersihan alat.** Alat pemotong dengan pisau pemotong yang tajam dan dirawat dengan baik tidak akan mudah tersangkut dan lebih mudah dikendalikan.
- ▶ **Gunakan perkakas listrik, aksesoris, dan komponen perkakas dll sesuai dengan petunjuk ini, dengan mempertimbangkan kondisi kerja dan pekerjaan yang akan dilakukan.** Penggunaan perkakas listrik untuk tujuan berbeda dari fungsinya dapat menyebabkan situasi yang berbahaya.
- ▶ **Jaga gagang dan permukaan genggam agar tetap kering, bersih, dan bebas dari minyak dan lemak.** Gagang dan permukaan genggam yang licin tidak menjamin keamanan kerja dan kontrol alat yang baik pada situasi yang tidak terduga.

Penggunaan dan pemeliharaan perkakas baterai

- ▶ **Isi ulang daya hanya dengan pengisi daya yang ditentukan oleh produsen.** Pengisi daya yang sesuai untuk satu jenis set baterai dapat menyebabkan risiko kebakaran apabila digunakan dengan set baterai lain.
- ▶ **Hanya gunakan perkakas listrik dengan set baterai yang dirancang khusus.** Penggunaan set baterai lain dapat menyebabkan risiko cedera dan kebakaran.
- ▶ **Apabila set baterai tidak digunakan, jauhkan dari benda logam lainnya, seperti klip kertas, koin, kunci, paku, sekrup, atau benda logam kecil lainnya yang dapat membuat sambungan dari satu terminal ke terminal lainnya.** Memendekkan terminal baterai dapat menyebabkan kebakaran atau api.
- ▶ **Cairan dapat keluar dari baterai jika baterai tidak digunakan dengan benar; hindari kontak. Jika terjadi kontak secara tidak disengaja, bilas dengan air. Jika cairan mengenai mata, segera hubungi bantuan medis.** Cairan yang keluar dari baterai dapat menyebabkan iritasi atau luka bakar.

- ▶ **Jangan gunakan set baterai atau perkakas yang rusak atau telah dimodifikasi.** Baterai yang rusak atau telah dimodifikasi dapat menimbulkan kejadian yang tak terduga seperti kebakaran, ledakan, atau risiko cedera.
- ▶ **Jangan meletakkan set baterai atau perkakas di dekat api atau suhu tinggi.** Paparan terhadap api atau suhu di atas 130 °C dapat memicu ledakan.
- ▶ **Ikuti semua petunjuk pengisian daya dan jangan mengisi daya set baterai atau perkakas di luar rentang suhu yang ditentukan dalam petunjuk.** Pengisian daya yang tidak tepat atau di luar rentang suhu yang ditentukan dapat merusak baterai dan meningkatkan risiko kebakaran.

Servis

- ▶ **Minta teknisi berkualifikasi untuk menyervis perkakas listrik dengan hanya menggunakan suku cadang yang identik.** Dengan demikian, hal ini akan memastikan keamanan perkakas listrik.
- ▶ **Jangan pernah melakukan servis pada baterai yang telah rusak.** Servis baterai hanya boleh dilakukan oleh produsen atau penyedia servis resmi.

Petunjuk Keselamatan untuk Obeng

- ▶ **Pegang perkakas listrik pada permukaan gagang isolator saat pengoperasian yang memungkinkan alat pengencang bersentuhan dengan kabel yang tidak terlihat.** Menyentuh alat pengencang yang dialiri listrik dapat menyebabkan bagian logam perkakas listrik dialiri listrik, sehingga berisiko mengakibatkan sengatan listrik pada operator.
- ▶ **Gunakanlah alat detektor logam yang cocok untuk mencari kabel dan pipa yang tidak terlihat atau hubungi perusahaan pengadaan setempat.** Sentuhan dengan kabel-kabel listrik dapat mengakibatkan api dan kontak listrik. Pipa gas yang dirusak dapat mengakibatkan ledakan. Pipa air yang dirusak mengakibatkan barang-barang menjadi rusak.
- ▶ **Pegang perkakas listrik dengan kencang.** Saat mengencangkan dan mengendurkan obeng dapat terjadi reaksi torsi yang tinggi sesaat.
- ▶ **Gunakan alat kerja dengan aman.** Benda yang ditahan dalam alat pemegang atau bais lebih aman daripada benda yang dipegang dengan tangan.
- ▶ **Sebelum meletakkan perkakas listrik, tunggulah hingga perkakas berhenti berputar.** Alat kerja dapat tersangkut dan menyebabkan perkakas listrik tidak dapat dikendalikan.
- ▶ **Asap dapat keluar apabila terjadi kerusakan atau penggunaan yang tidak tepat pada baterai. Baterai dapat terbakar atau meledak.** Biarkan udara segar mengalir masuk dan kunjungi dokter apabila mengalami gangguan kesehatan. Asap tersebut dapat mengganggu saluran pernafasan.
- ▶ **Jangan membuka baterai.** Ada bahaya terjadinya korsleting.

- ▶ **Baterai dapat rusak akibat benda-benda lancip, seperti jarum, obeng, atau tekanan keras dari luar.** Hal ini dapat menyebabkan terjadinya hubungan singkat internal dan baterai dapat terbakar, berasap, meledak, atau mengalami panas berlebih.
- ▶ **Hanya gunakan baterai pada produk dari produsen.** Hanya dengan cara ini, baterai dapat terlindung dari kelebihan muatan.



Lindungi baterai dari panas, misalnya juga dari paparan sinar matahari dalam waktu yang lama, api, kotoran, air dan kelembapan. Terdapat risiko ledakan dan korsleting.

Spesifikasi produk dan performa



Bacalah semua petunjuk keselamatan dan petunjuk penggunaan. Kesalahan dalam menjalankan petunjuk keselamatan dan petunjuk penggunaan dapat mengakibatkan kontak listrik, kebakaran, dan/atau luka-luka yang berat.

Perhatikan ilustrasi yang terdapat pada sisi sampul panduan pengoperasian.

Tujuan penggunaan

Perkakas listrik ini cocok untuk memasang dan mengendurkan sekrup serta untuk mengencangkan dan mengendurkan mur masing-masing dalam batas ukuran yang ditentukan.

Ilustrasi komponen

Penomoran ilustrasi komponen mengacu pada gambar perkakas listrik pada halaman grafis.

- (1) Dudukan alat kerja
- (2) Selongsong pengunci
- (3) Switch pemilih tingkat putaran
- (4) Dudukan strap pengangkat
- (5) Tombol pelepas baterai
- (6) Baterai
- (7) Switch arah putaran
- (8) Tombol on/off
- (9) Lampu "PowerLight"
- (10) Gagang (permukaan genggam berisolator)
- (11) Bit ganda^{a)}
- (12) Dudukan bit universal^{a)}
- (13) Mata obeng^{a)}
- (14) Alat sisipan (misalnya kunci sok)^{a)}

a) **Aksesori yang digambarkan atau yang dijelaskan tidak termasuk dalam lingkup pengiriman standar. Semua aksesori yang ada dapat ditemukan dalam program aksesori kami.**

Data teknis

Obeng impact berdaya baterai		GDR 120-LI	GDS 120-LI
Nomor barang		3 601 JF0 0..	3 601 JF0 1..
Tegangan nominal	V=	12	12
Kecepatan idle ^{A)}			
– Pengaturan 1	min ⁻¹	0–1300	0–1300
– Pengaturan 2	min ⁻¹	0–2600	0–2600
Tingkat getaran ^{A)}			
– Pengaturan 1	min ⁻¹	0–1500	0–1500
– Pengaturan 2	min ⁻¹	0–2700	0–2700
Torsi maks. ^{A)} penyekrupan ketat menurut ISO 5393	Nm	100	105
Diameter (Ø) sekrup mesin	mm	M4–M12	M4–M12
Diameter (Ø) sekrup maks.	mm	8	8
Dudukan alat kerja		Kunci L ¼"	■ 3/8"
Berat sesuai dengan EPTA-Procedure 01:2014	kg	1,1	1,1
Suhu sekitar yang direkomendasikan saat pengisian daya	°C	0 ... +35	0 ... +35
Suhu sekitar yang diizinkan saat pengoperasian ^{B)} dan saat penyimpanan	°C	–20 ... +50	–20 ... +50
Baterai yang direkomendasikan		GBA 12V ...	GBA 12V ...
Perangkat pengisi daya yang direkomendasikan		GAL 12 ... GAX 18 ...	GAL 12 ... GAX 18 ...

A) Diukur pada suhu 20–25 °C dengan baterai **GBA 12V 2.0 Ah**.

B) daya terbatas pada suhu < 0 °C

Nilai dapat berbeda-beda bergantung pada produk dan mungkin tunduk pada kondisi lingkungan serta penggunaan. Informasi lebih lanjut pada www.bosch-professional.com/wac.

Cara memasang

- ▶ **Sebelum melakukan semua pekerjaan pada perkakas listrik (misalnya merawat, mengganti alat kerja, dsb.) serta selama transpor dan penyimpanan, keluarkanlah baterai dari perkakas listrik.** Terdapat risiko cedera apabila tombol untuk menghidupkan dan mematikan dioperasikan tanpa sengaja.

Mengisi daya baterai

- ▶ **Hanya gunakan pengisi daya yang tercantum pada data teknis.** Hanya pengisi daya ini yang sesuai dengan baterai Li-ion yang digunakan pada perkakas listrik Anda.

Catatan: Baterai dikirim dalam keadaan terisi sebagian. Untuk memastikan kinerja penuh baterai, isi penuh daya baterai ke pengisi daya sebelum menggunakannya untuk pertama kali.

Daya baterai li-ion dapat diisi setiap saat tanpa mengurangi masa pakainya. Penghentian proses pengisian daya tidak merusak baterai.

Baterai li-ion terlindung dari pengosongan daya total dengan "Electronic Cell Protection (ECP)". Jika baterai habis,

perkakas listrik dimatikan oleh pengaman: Alat sisipan berhenti beroperasi.

- ▶ **Jangan menekan kembali tombol on/off jika perkakas listrik mati secara otomatis.** Baterai dapat rusak.

Melepas baterai (lihat gambar A)

Untuk melepas baterai (6), tekan tombol pelepas (5) dan tarik baterai ke bawah dari perkakas listrik. **Jangan melepas baterai dengan paksa.**

Mengganti alat

- ▶ **Sebelum melakukan semua pekerjaan pada perkakas listrik (misalnya merawat, mengganti alat kerja, dsb.) serta selama transpor dan penyimpanan, keluarkanlah baterai dari perkakas listrik.** Terdapat risiko cedera apabila tombol untuk menghidupkan dan mematikan dioperasikan tanpa sengaja.

GDR 120-LI:

Memasang alat sisipan (lihat gambar B)

Tarik selubung pengunci (2) ke depan, dorong alat sisipan hingga maksimal pada tempatnya (1) dan lepaskan kembali selubung pengunci (2) untuk mengunci alat sisipan.

Mata obeng (13) dapat dipasang pada dudukan bit universal dengan kait bola (12).

Melepaskan alat sisipan

Tarik selubung pengunci (2) ke depan dan lepaskan alat sisipan.

GDS 120-LI: (lihat gambar C)

► **Saat memasang alat kerja, pastikan alat kerja terpasang secara aman pada dudukan alat.** Jika alat kerja tidak terhubung secara aman dengan dudukan alat, alat kerja dapat terlepas selama penyekrupan.

Pasang alat sisipan (14) pada kotak dudukan alat kerja (1). Akibat sistem, alat sisipan (14) terpasang pada dudukan alat kerja (1) sedikit longgar; hal ini tidak memengaruhi fungsi/keamanan.

Penggunaan

Cara kerja

Dudukan alat (1) dengan alat sisipan digerakkan dengan motor listrik melalui transmisi dan alat penggetar.

Proses pengerjaan terbagi ke dalam dua tahap: **menyekrup** dan **mengencangkan** (alat penggetar beroperasi).

Alat penggetar mulai beraksi begitu sekrup mulai terkunci dan motor dibebani. Dengan demikian alat penggetar mengubah daya motor menjadi getaran putar yang berkekuatan sama. Saat melepas sekrup atau mur, proses berlangsung dengan urutan sebaliknya.

Cara penggunaan

Memasang baterai

Posisikan switch pengubah arah (7) ke tengah untuk mencegah pengaktifan tiba-tiba. Pasang baterai yang sudah terisi (6) ke dalam gagang perkakas hingga terkunci dan terpasang rata pada gagang.

Mengatur arah putaran (lihat gambar D)

Arah putaran perkakas listrik dapat diubah dengan switch pengubah arah (7). Hal tersebut tidak dapat dilakukan jika tombol on/off (8) ditekan.

Searah jarum jam: Untuk memasang sekrup dan mur, tekan switch pengubah arah (7) ke kiri hingga maksimal.

Berlawanan arah jarum jam: Untuk mengendurkan atau melepas sekrup dan mur, tekan switch pengubah arah (7) ke kanan hingga maksimal.

Memilih tingkat putaran secara mekanis

► **Tekan switch pemilih tingkat putaran (3) hanya saat perkakas listrik sedang tidak beroperasi.**

Dengan switch pemilih tingkat putaran (3) dapat dipilih 2 rentang kecepatan putaran.

Tingkat putaran I:

Rentang kecepatan putaran rendah; untuk menyekrup atau untuk pekerjaan dengan diameter mata bor yang besar.

Tingkat putaran II:

Rentang kecepatan putaran tinggi; untuk pengerjaan dengan diameter mata bor yang kecil.

Jika selektor untuk memilih tingkatan putaran (3) tidak dapat diputar hingga maksimal, putar sedikit spindel penggerak dengan mata bor.

Mengaktifkan/menonaktifkan perkakas listrik

Untuk **menggunakan pertama kali** perkakas listrik, tekan dan tahan tombol on/off (8).

Lampu (9) akan menyala saat tombol on/off (8) ditekan singkat atau ditekan kuat dan dapat membantu menerangi area kerja saat kondisi cahaya minim.

Untuk **menonaktifkan** perkakas listrik, lepaskan tombol on/off (8).

Menyetel kecepatan

Kecepatan perkakas listrik yang diaktifkan dapat disetel terus-menerus tergantung seberapa kuat tombol on/off (8) ditekan.

Jika tombol on/off (8) ditekan singkat dan tidak terlalu kuat, kecepatan putaran akan menjadi rendah. Tekanan yang lebih besar mengakibatkan kecepatan putaran yang lebih tinggi.

Perlindungan kelebihan beban yang tergantung suhu

Pada penggunaan yang normal perkakas listrik tidak akan kelebihan beban. Alat elektronik akan mematikan perkakas listrik apabila mendapatkan beban berlebih atau suhu baterai yang terlalu tinggi dari biasanya hingga alat kembali dalam rentang suhu pengoperasian yang optimal.

Petunjuk pengoperasian

► **Pasang perkakas listrik pada mur/sekrup hanya saat dalam keadaan mati.** Alat sisipan yang berputar dapat tergelincir.

Torsi yang tercapai bergantung pada durasi getaran. Torsi maksimal yang tercapai adalah hasil jumlah seluruh torsi tunggal yang dihasilkan oleh getaran. Torsi maksimal akan tercapai setelah durasi getaran berlangsung selama 6–10 detik. Setelah itu, torsi pengencangan hampir tidak dapat diperbesar lagi.

Durasi getaran ditentukan untuk setiap torsi pengencangan yang diperlukan. Torsi pengencangan yang tercapai harus selalu diperiksa dengan kunci torsi.

Penyekrupan dengan dudukan yang kuat, berpegas, atau empuk

Jika torsi yang dicapai dalam urutan getaran diukur saat uji coba dan dikirim ke diagram, kurva torsi akan diperoleh. Ketinggian kurva menggambarkan torsi maksimal yang dapat dicapai, tanjakan kurva menunjukkan waktu saat torsi tersebut tercapai.

Kurva torsi bergantung pada faktor-faktor berikut:

- Kekuatan sekrap/mur
- Jenis bantalan (ring pelat, ring pegas piring, seal)
- Kekuatan benda yang akan disekrup
- Kondisi pelumasan pada sambungan penyekrupan

Berdasarkan hal tersebut, penggunaannya adalah sebagai berikut:

- **Dudukan yang kuat** digunakan saat penyekrupan logam pada logam dengan memakai ring pelat. Setelah waktu getaran yang relatif pendek, tercapai torsi maksimal (tanjakan kurva yang tajam). Waktu getaran lama yang tidak diperlukan hanya akan merusak mesin.
- **Dudukan berpegas** digunakan saat penyekrupan logam pada logam yang memakai ring pegas, ring pegas piring,

baut stud atau sekrup/mur dengan dudukan kerucut serta saat penggunaan ekstensi.

- **Dudukan empuk** digunakan saat penyekrupan misalnya logam pada kayu atau jika menggunakan lead/fibre disc sebagai lapisan.

Pada dudukan berpegas atau lunak, torsi pengencangan maksimal lebih rendah daripada pada dudukan kuat. Selain itu, diperlukan waktu getaran yang jauh lebih lama.

Nilai pedoman untuk torsi penyekrupan maksimal

Nilai dalam Nm, dihitung dari penampang melintang tegangan; menggunakan 90% batas renggang (pada koefisien gesekan $\mu_{\text{tot}} = 0,12$). Untuk mengontrol, periksalah selalu torsi dengan kunci torsi.

Kelas daya tahan menurut norma DIN 267	Baut-baut dengan daya tahan standar								Baut-baut dengan daya tahan tinggi		
	3.6	4.6	5.6	4.8	6.6	5.8	6.8	6.9	8.8	10.9	12.9
M6	2.71	3.61	4.52	4.8	5.42	6.02	7.22	8.13	9.7	13.6	16.2
M8	6.57	8.7	11	11.6	13.1	14.6	17.5	19.7	23	33	39
M10	13	17.5	22	23	26	29	35	39	47	65	78
M12	22.6	30	37.6	40	45	50	60	67	80	113	135
M14	36	48	60	65	72	79	95	107	130	180	215
M16	55	73	92	98	110	122	147	165	196	275	330

Tips

Sebelum memutar masuk sekrup yang besar dan panjang ke dalam bahan yang keras, buat lubang bor terlebih dulu dengan diameter inti ulir sekitar 2/3 dari panjang sekrup.

Petunjuk: Perhatikan agar benda-benda kecil dari logam tidak masuk ke dalam perkakas listrik.

Petunjuk mengenai penanganan baterai yang optimal

Lindungilah baterai dari kelembapan dan air.

Simpan baterai hanya pada rentang suhu antara -20°C hingga 50°C . Jangan meletakkan baterai di dalam mobil, misalnya pada musim panas.

Bersihkan lubang ventilasi baterai dengan kuas yang lembut, bersih dan kering secara berkala.

Waktu pengoperasian yang berkurang secara signifikan setelah pengisian daya menunjukkan bahwa baterai telah aus dan perlu diganti.

Perhatikan petunjuk mengenai pemuangan baterai.

Perawatan dan servis

Perawatan dan pembersihan

- **Bersihkan lubang ventilasi pada perkakas listrik secara rutin.** Kipas angin motor menarik debu ke dalam rumah dan debu logam dalam jumlah yang besar dan listrik bisa mengakibatkan bahaya.
- **Sebelum melakukan semua pekerjaan pada perkakas listrik (misalnya merawat, mengganti alat kerja, dsb.) serta selama transpor dan penyimpanan, keluarkanlah baterai dari perkakas listrik.** Terdapat risiko cedera apabila tombol untuk menghidupkan dan mematikan dioperasikan tanpa sengaja.

- **Perkakas listrik dan lubang ventilasi harus selalu dibersihkan agar perkakas dapat digunakan dengan baik dan aman.**

Layanan pelanggan dan konsultasi penggunaan

Layanan pelanggan Bosch menjawab semua pertanyaan Anda tentang reparasi dan perawatan serta tentang suku cadang produk ini. Gambaran teknis (exploded view) dan informasi mengenai suku cadang dapat ditemukan di:

www.bosch-pt.com

Tim konsultasi penggunaan Bosch akan membantu Anda menjawab pertanyaan seputar produk kami beserta aksesorinya.

Jika Anda hendak menanyakan sesuatu atau memesan suku cadang, selalu sebutkan nomor model yang terdiri dari 10 angka dan tercantum pada label tipe produk.

Indonesia

PT Robert Bosch Indonesia
 Arkadia Green Park Tower G – 7th floor
 Jl. Let. Jend. TB. Simatupang Kav.88
 Jakarta 12520
 Tel.: (021) 3005 5800
 Fax: (021) 3005 5801
 E-Mail: boschpowertools@id.bosch.com
 www.bosch-pt.co.id

Alamat layanan lainnya dapat ditemukan di:

www.bosch-pt.com/serviceaddresses

Transpor

Baterai li-ion yang direkomendasikan tunduk pada persyaratan terkait peraturan tentang bahan-bahan yang

berbahaya. Baterai dapat diangkat di jalan oleh penggunanya tanpa pembatasan lebih lanjut.

Pada pengiriman oleh pihak ketiga (misalnya transportasi udara atau perusahaan ekspedisi) harus ditaati syarat-syarat terkait kemasan dan pemberian tanda. Dalam hal ini, diperlukan konsultasi dengan ahli bahan-bahan berbahaya saat mengatur barang pengiriman.

Kirimkan baterai hanya jika housing-nya tidak rusak. Tutup bagian-bagian yang terbuka dan kemas baterai agar tidak bergerak-gerak di dalam kemasan. Taatilah peraturan-peraturan nasional lainnya yang mungkin lebih rinci yang berlaku di negara Anda.

Cara membuang



Perkakas listrik, baterai, aksesoris dan kemasan harus didaur ulang dengan cara yang ramah lingkungan.



Jangan membuang perkakas listrik, aki/baterai ke dalam sampah rumah tangga!

Baterai:

Li-ion:

Perhatikanlah petunjuk-petunjuk dalam bab Transpor (lihat „Transpor“, Halaman 55).

Tiếng Việt

Hướng dẫn an toàn

Hướng dẫn an toàn chung cho dụng cụ điện

⚠ CẢNH BÁO

Hãy đọc toàn bộ các cảnh báo an toàn, hướng dẫn,

hình ảnh và thông số kỹ thuật được cung cấp cho dụng cụ điện cầm tay này. Không tuân thủ mọi hướng dẫn được liệt kê dưới đây có thể bị điện giật, gây cháy và /hay bị thương tật nghiêm trọng.

Hãy giữ tất cả tài liệu về cảnh báo và hướng dẫn để tham khảo về sau.

Thuật ngữ "dụng cụ điện cầm tay" trong phần cảnh báo là để cập đến sự sử dụng dụng cụ điện cầm tay của bạn, loại sử dụng điện nguồn (có dây cắm điện) hay vận hành bằng pin (không dây cắm điện).

Khu vực làm việc an toàn

- ▶ **Giữ nơi làm việc sạch và đủ ánh sáng.** Nơi làm việc bừa bộn và tối tăm dễ gây ra tai nạn.
- ▶ **Không vận hành dụng cụ điện cầm tay trong môi trường dễ gây nổ, chẳng hạn như nơi có chất lỏng dễ cháy, khí đốt hay rác.** Dụng cụ

điện cầm tay tạo ra các tia lửa nên có thể làm rác bén cháy hay bốc khói.

- ▶ **Không để trẻ em hay người đến xem đứng gần khi vận hành dụng cụ điện cầm tay.** Sự phân tâm có thể gây ra sự mất điều khiển.

An toàn về điện

- ▶ **Phích cắm của dụng cụ điện cầm tay phải thích hợp với ổ cắm. Không bao giờ được cải biến lại phích cắm dưới mọi hình thức. Không được sử dụng phích tiếp hợp nối tiếp đất (dây mát).** Phích cắm nguyên bản và ổ cắm đúng loại sẽ làm giảm nguy cơ bị điện giật.
- ▶ **Tránh không để thân thể tiếp xúc với đất hay các vật có bề mặt tiếp đất như đường ống, lò sưởi, hàng rào và tủ lạnh.** Có nhiều nguy cơ bị điện giật hơn nếu cơ thể bạn bị tiếp hay nối đất.
- ▶ **Không được để dụng cụ điện cầm tay ngoài mưa hay ở tình trạng ẩm ướt.** Nước vào máy sẽ làm tăng nguy cơ bị điện giật.
- ▶ **Không được lạm dụng dây dẫn điện. Không bao giờ được nắm dây dẫn để xách, kéo hay rút phích cắm dụng cụ điện cầm tay. Không để dây gần nơi có nhiệt độ cao, dầu nhớt, vật nhọn bén và bộ phận chuyển động.** Làm hỏng hay cuộn rối dây dẫn làm tăng nguy cơ bị điện giật.
- ▶ **Khi sử dụng dụng cụ điện cầm tay ngoài trời, dùng dây nối thích hợp cho việc sử dụng ngoài trời làm giảm nguy cơ bị điện giật.**
- ▶ **Nếu việc sử dụng dụng cụ điện cầm tay ở nơi ẩm ướt là không thể tránh được, dùng thiết bị ngắt mạch tự động (RCD) bảo vệ nguồn.** Sử dụng thiết bị ngắt mạch tự động RCD làm giảm nguy cơ bị điện giật.

An toàn cá nhân

- ▶ **Hãy tỉnh táo, biết rõ mình đang làm gì và hãy sử dụng ý thức khi vận hành dụng cụ điện cầm tay. Không sử dụng dụng cụ điện cầm tay khi đang mệt mỏi hay đang bị tác động do chất gây nghiện, rượu hay được phẩm gây ra.** Một thoáng mất tập trung khi đang vận hành dụng cụ điện cầm tay có thể gây thương tật nghiêm trọng cho bản thân.
- ▶ **Sử dụng trang bị bảo hộ cá nhân. Luôn luôn đeo kính bảo vệ mắt.** Trang bị bảo hộ như khẩu trang, giày chống trượt, nón bảo hộ, hay dụng cụ bảo vệ tai khi được sử dụng đúng nơi đúng chỗ sẽ làm giảm nguy cơ thương tật cho bản thân.
- ▶ **Phòng tránh máy khởi động bất ngờ. Bảo đảm công tắc máy ở vị trí tắt trước khi cắm vào nguồn điện và/hay lắp pin vào, khi nhắc máy lên hay khi mang xách máy.** Ngáng ngón tay vào công tắc máy để xách hay kích hoạt dụng cụ điện cầm tay khi công tắc ở vị trí mở dễ dẫn đến tai nạn.

- ▶ **Lấy mọi chia hay khóa điều chỉnh ra trước khi mở điện dụng cụ điện cầm tay.** Khóa hay chia còn gắn dính vào bộ phận quay của dụng cụ điện cầm tay có thể gây thương tích cho bản thân.
- ▶ **Không rướn người. Luôn luôn giữ tư thế đứng thích hợp và thăng bằng.** Điều này tạo cho việc điều khiển dụng cụ điện cầm tay tốt hơn trong mọi tình huống bất ngờ.
- ▶ **Trang phục thích hợp. Không mặc quần áo rộng lủng thùng hay mang trang sức. Giữ tóc và quần áo xa khỏi các bộ phận chuyển động.** Quần áo rộng lủng thùng, đồ trang sức hay tóc dài có thể bị cuốn vào các bộ phận chuyển động.
- ▶ **Nếu có các thiết bị đi kèm để nối máy hút bụi và các phụ kiện khác, bảo đảm các thiết bị này được nối và sử dụng tốt.** Việc sử dụng các thiết bị gom hút bụi có thể làm giảm các độc hại liên quan đến bụi gây ra.
- ▶ **Không để thói quen do sử dụng thường xuyên dụng cụ khiến bạn trở nên chủ quan và bỏ qua các quy định an toàn dụng cụ.** Một hành vi bất cẩn có thể gây ra thương tích nghiêm trọng chỉ trong tích tắc.

Sử dụng và bảo dưỡng dụng cụ điện cầm tay

- ▶ **Không được ép máy. Sử dụng dụng cụ điện cầm tay đúng loại theo đúng ứng dụng của bạn.** Dụng cụ điện cầm tay đúng chức năng sẽ làm việc tốt và an toàn hơn theo đúng tiến độ mà máy được thiết kế.
- ▶ **Không sử dụng dụng cụ điện cầm tay nếu như công tắc không tắt và mở được.** Bất kỳ dụng cụ điện cầm tay nào mà không thể điều khiển được bằng công tắc là nguy hiểm và phải được sửa chữa.
- ▶ **Rút phích cắm ra khỏi nguồn điện và/hay pin ra khỏi dụng cụ điện cầm tay nếu có thể tháo được, trước khi tiến hành bất kỳ điều chỉnh nào, thay phụ kiện, hay cất dụng cụ điện cầm tay.** Các biện pháp ngăn ngừa như vậy làm giảm nguy cơ dụng cụ điện cầm tay khởi động bất ngờ.
- ▶ **Cất giữ dụng cụ điện cầm tay không dùng tới nơi trẻ em không lấy được và không cho người chưa từng biết dụng cụ điện cầm tay hay các hướng dẫn này sử dụng dụng cụ điện cầm tay.** Dụng cụ điện cầm tay nguy hiểm khi ở trong tay người chưa được chỉ cách sử dụng.
- ▶ **Bảo quản dụng cụ điện cầm tay và các phụ kiện.** Kiểm tra xem các bộ phận chuyển động có bị sai lệch hay kẹt, các bộ phận bị rạn nứt và các tình trạng khác có thể ảnh hưởng đến sự vận hành của máy. Nếu bị hư hỏng, phải sửa chữa máy trước khi sử dụng. Nhiều tai

nạn xảy ra do bảo quản dụng cụ điện cầm tay tồi.

- ▶ **Giữ các dụng cụ cắt bén và sạch.** Bảo quản đúng cách các dụng cụ cắt có cạnh cắt bén làm giảm khả năng bị kẹt và dễ điều khiển hơn.
- ▶ **Sử dụng dụng cụ điện cầm tay, phụ kiện, đầu cài v. v., đúng theo các chỉ dẫn này, hãy lưu ý đến điều kiện làm việc và công việc phải thực hiện.** Sự sử dụng dụng cụ điện cầm tay khác với mục đích thiết kế có thể tạo nên tình huống nguy hiểm.
- ▶ **Giữ tay cầm và bề mặt nắm luôn khô ráo, sạch sẽ và không dính dầu mỡ.** Tay cầm và bề mặt nắm trơn trượt không đem lại thao tác an toàn và kiểm soát dụng cụ trong các tình huống bất ngờ.

Sử dụng và bảo quản dụng cụ dùng pin

- ▶ **Chỉ được sạc pin lại với bộ nạp điện do nhà sản xuất chỉ định.** Bộ nạp điện thích hợp cho một loại pin có thể gây nguy cơ cháy khi sử dụng cho một loại pin khác.
- ▶ **Chỉ sử dụng dụng cụ điện cầm tay với loại pin được thiết kế đặc biệt dành riêng cho máy.** Sử dụng bất cứ loại pin khác có thể dẫn đến thương tật hay cháy.
- ▶ **Khi không sử dụng pin, để cách xa các vật bằng kim loại như kẹp giấy, tiền xu, chìa khóa, đinh, ốc vít hay các đồ vật kim loại nhỏ khác, thứ có thể tạo sự nối tiếp từ một đầu cực với một đầu cực khác.** Sự chập mạch của các đầu cực với nhau có thể gây bỏng hay cháy.
- ▶ **Bảo quản ở tình trạng tối, dung dịch từ pin có thể tứa ra; tránh tiếp xúc.** Nếu vô tình chạm phải, hãy xối nước để rửa. Nếu dung dịch vào mắt, cần thêm sự hỗ trợ của y tế. Dung dịch tiết ra từ pin có thể gây ngứa hay bỏng.
- ▶ **Không được sử dụng bộ pin hoặc dụng cụ đã bị hư hại hoặc bị thay đổi.** Pin hỏng hoặc bị thay đổi có thể gây ra những tác động không lường trước được như cháy nổ hoặc nguy cơ thương tích.
- ▶ **Không đặt bộ pin hoặc dụng cụ ở gần lửa hoặc nơi quá nhiệt.** Tiếp xúc với lửa hoặc nhiệt độ cao trên 130 °C có thể gây nổ.
- ▶ **Tuân thủ tất cả các hướng dẫn nạp và không nạp bộ pin hay dụng cụ ở bên ngoài phạm vi nhiệt độ đã được quy định trong các hướng dẫn.** Nạp không đúng cách hoặc ở nhiệt độ ngoài phạm vi nạp đã quy định có thể làm hư hại pin và gia tăng nguy cơ cháy.

Bảo dưỡng

- ▶ **Đưa dụng cụ điện cầm tay của bạn đến thợ chuyên môn để bảo dưỡng, chỉ sử dụng phụ tùng đúng chủng loại để thay.** Điều này sẽ đảm bảo sự an toàn của máy được giữ nguyên.

- ▶ **Không bao giờ sửa chữa các bộ pin đã hư hại.** Chỉ cho phép nhà sản xuất hoặc các nhà cung cấp dịch vụ có ủy quyền thực hiện dịch vụ sửa chữa cho các bộ pin.



Bảo vệ pin không để bị làm nóng, ví dụ, chống để lâu dài dưới ánh nắng gay gắt, lửa, chất bẩn, nước, và sự ẩm ướt. Có nguy cơ nổ và chập mạch.

Các hướng dẫn an toàn cho tua-vít

- ▶ **Chỉ cắm dụng cụ điện tại các bề mặt cầm nắm có cách điện, khi thực hiện một thao tác tại vị trí mà dụng cụ kẹp có thể tiếp xúc với dây điện ngầm.** Dụng cụ kẹp tiếp xúc với dây có điện có thể làm cho các phần kim loại hở của dụng cụ điện cầm tay có điện và có thể gây ra điện giật cho người vận hành.
- ▶ **Dùng thiết bị dò tìm thích hợp để xác định nếu có các công trình có dây cáp ngầm lắp đặt trong khu vực làm việc hay liên hệ với Cty công trình công cộng địa phương để nhờ hỗ trợ.** Đụng chạm đường dẫn điện có thể gây ra hỏa hoạn và điện giật. Làm hư hại đường dẫn khí ga có thể gây nổ. Làm thủng ống dẫn nước có thể làm hư hại tài sản hay có thể gây ra điện giật.
- ▶ **Giữ chặt dụng cụ điện.** Khi siết chặt và nới lỏng các vít, những mô-men phản ứng cao có thể xuất hiện trong thời gian ngắn.
- ▶ **Kẹp chặt vật gia công.** Vật gia công được kẹp bằng một thiết bị kẹp hay bằng ê-tô thì vững chắc hơn giữ bằng tay.
- ▶ **Luôn luôn đợi cho máy hoàn toàn ngừng hẳn trước khi đặt xuống.** Dụng cụ lắp vào máy có thể bị kẹp chặt dẫn đến việc dụng cụ điện cầm tay bị mất điều khiển.
- ▶ **Trong trường hợp pin bị hỏng hay sử dụng sai cách, hơi nước có thể bốc ra. Pin có thể cháy hoặc nổ.** Hãy làm cho thông thoáng khí và trong trường hợp bị đau phải nhờ y tế chữa trị. Hơi nước có thể gây ngứa hệ hô hấp.
- ▶ **Không được tháo pin ra.** Nguy cơ bị chập mạch.
- ▶ **Pin có thể bị hư hại bởi các vật dụng nhọn như đinh hay tuốc-nơ-vít hoặc bởi các tác động lực từ bên ngoài.** Nó có thể dẫn tới đoản mạch nội bộ và làm pin bị cháy, bốc khói, phát nổ hoặc quá nóng.
- ▶ **Chỉ sử dụng pin trong các sản phẩm của nhà sản xuất.** Chỉ bằng cách này, pin sẽ được bảo vệ tránh nguy cơ quá tải.

Mô Tả Sản Phẩm và Đặc Tính Kỹ Thuật



Đọc kỹ mọi cảnh báo an toàn và mọi hướng dẫn. Không tuân thủ mọi cảnh báo và hướng dẫn được liệt kê dưới đây có thể bị điện giật, gây cháy và / hay bị thương tật nghiêm trọng.

Xin lưu ý các hình minh họa trong phần trước của hướng dẫn vận hành.

Sử dụng đúng cách

Máy được thiết kế để tháo hoặc bắt vít và bu-loong cũng như để siết hay tháo đai ốc trong phạm vi kích cỡ tương ứng.

Các bộ phận được minh họa

Việc đánh số các thành phần đã minh họa liên quan đến mô tả dụng cụ điện trên trang hình ảnh.

- (1) Phần lắp dụng cụ
- (2) Vòng khóa
- (3) Công tắc chọn số
- (4) Chốt cài dây xích
- (5) Nút tháo pin
- (6) Pin
- (7) Gạc vận chuyển đổi chiều quay
- (8) Công tắc Tắt/Mở
- (9) Đèn "PowerLight"
- (10) Tay nắm (bề mặt nắm cách điện)
- (11) Mũi khoan đôi^{a)}
- (12) Ống cặp mũi khoan vạn năng^{a)}
- (13) Đầu chia vận vít^{a)}
- (14) Dụng cụ ứng dụng (vd. khâu hay đầu ống)^{a)}

a) **Phụ tùng được trình bày hay mô tả không phải là một phần của tiêu chuẩn hàng hóa được giao kèm theo sản phẩm. Bạn có thể tham khảo tổng thể các loại phụ tùng, phụ kiện trong chương trình phụ tùng của chúng tôi.**

Thông số kỹ thuật

Máy Bắt Vít Pin Đập		GDR 120-LI	GDS 120-LI
Mã số máy		3 601 JF0 0..	3 601 JF0 1..
Điện thế danh định	V=	12	12
Tốc độ không tải ^{A)}			
– Thiết lập 1	/phút	0–1300	0–1300
– Thiết lập 2	/phút	0–2600	0–2600

Máy Bút Vít Pin Đập		GDR 120-LI	GDS 120-LI
Tần suất đập ^{A)}			
– Thiết lập 1	/phút	0–1500	0–1500
– Thiết lập 2	/phút	0–2700	0–2700
Mô-men xoắn tối đa ^{A)} bắt vít vào vật cứng theo ISO 5393	Nm	100	105
Ø vít máy	mm	M4–M12	M4–M12
Ø vít máy tối đa	mm	8	8
Phần lắp dụng cụ		Ốc-vít sáu cạnh ¼"	■ 3/8"
Trọng lượng theo EPTA-Procedure 01:2014	kg	1,1	1,1
Nhiệt độ môi trường được khuyến nghị khi sạc	°C	0 ... +35	0 ... +35
Nhiệt độ môi trường cho phép trong quá trình vận hành ^{B)} và trong quá trình lưu trữ	°C	-20 ... +50	-20 ... +50
Pin được khuyến dùng		GBA 12V...	GBA 12V...
Thiết bị nạp được giới thiệu		GAL 12 ... GAX 18 ...	GAL 12 ... GAX 18 ...

A) Được đo ở 20–25 °C với pin **GBA 12V 2.0 Ah**.

B) hiệu suất giới hạn ở nhiệt độ <0 °C

Các giá trị có thể khác nhau tùy thuộc vào sản phẩm và tùy thuộc vào ứng dụng và điều kiện môi trường. Xem thêm thông tin chi tiết trên trang www.bosch-professional.com/wac.

Sự lắp vào

- ▶ **Trước khi tiến hành bất cứ công việc gì với máy (ví dụ bảo dưỡng, thay dụng cụ v.v..) cũng như khi vận chuyển hay lưu kho, tháo pin ra khỏi dụng cụ điện.** Có nguy cơ gây thương tích khi vô tình làm kích hoạt công tắc Tắt/Mở.

Sạc pin

- ▶ **Chỉ sử dụng bộ sạc được đề cập trong dữ liệu kỹ thuật.** Chỉ những bộ sạc này phù hợp cho dụng cụ điện cầm tay của bạn có sử dụng pin Li-Ion.

Hướng dẫn: Pin đã được sạc một phần. Để bảo đảm đầy đủ điện dung, nạp điện hoàn toàn lại cho pin trong bộ nạp điện pin trước khi sử dụng cho lần đầu tiên.

Pin Li-Ion hợp khối có thể nạp điện bất cứ lúc nào mà không làm giảm tuổi thọ của pin. Sự gián đoạn trong quá trình nạp điện không làm hư hại pin hợp khối.

Pin Li-Ion được bảo vệ ngăn sự phóng điện quá lớn nhờ vào "Electronic Cell Protection (ECP)". Nếu pin bị phóng điện, dụng cụ điện cầm tay sẽ được ngắt bởi một mạch bảo vệ: Dụng cụ điện không chuyển động nữa.

- ▶ **Có nguy cơ gây thương tích khi vô tình làm kích hoạt công tắc Tắt/Mở.** Pin có thể bị hỏng.

Tháo pin (xem hình A)

Để tháo pin (6) bạn hãy ấn nút mở (5) và đẩy pin xuống dưới ra khỏi dụng cụ điện cầm tay. **Không dùng sức.**

Thay Dụng Cụ

- ▶ **Trước khi tiến hành bất cứ công việc gì với máy (ví dụ bảo dưỡng, thay dụng cụ v.v..) cũng như khi vận chuyển hay lưu kho, tháo pin ra khỏi dụng cụ điện.** Có nguy cơ gây thương tích khi vô tình làm kích hoạt công tắc Tắt/Mở.

GDR 120-LI:

Thay phụ tùng (xem hình B)

Kéo vòng Khóa (2) về phía trước, dẫn phụ tùng vào phần lắp dụng cụ cho tới cỡ chặn (1) và nhả vòng khóa (2), để khóa phụ tùng.

Bạn có thể lắp các mũi khoan bắt vít (13) qua một ống cặp mũi khoan vạn năng với lẫy khóa bi (12).

Thay ra

Kéo vòng khóa (2) về phía trước và tháo phụ tùng.

GDS 120-LI: (xem Hình C)

- ▶ **Khi sử dụng dụng cụ gài, chú ý sao cho dụng cụ nằm chắc chắn ở phần lắp dụng cụ.**

Khoảng thời gian đập được xác định cho từng lực siết riêng lẻ cần có. Để biết lực siết thực tế đạt được, luôn luôn kiểm tra bằng một cờ-lê sử dụng lực xoắn.

Hãy đẩy phụ tùng (14) lên hình vuông của phần lắp dụng cụ (1).

Dụng cụ gài (14) nằm trong phần lắp dụng cụ với một khoảng hở theo yêu cầu của hệ thống (1); điều này không ảnh hưởng gì đến chức năng/độ an toàn.

Vận Hành

Cách Thức Hoạt Động

Phần lắp dụng cụ (1) có phụ tùng được truyền động bằng một động cơ điện qua hộp số và đập cơ học.

Quá trình làm việc được chia làm hai giai đoạn:

Vặn vít và **Siết chặt** (Va đập cơ học đang hoạt động).

Sự đập cơ học có tác động ngay khi việc bắt vít vào đã chặt cứng và vì vậy tải trọng được chuyển đặt lên mô-tơ. Các trường hợp ứng dụng có kết quả theo tương ứng như sau: Khi tháo vít hay đai ốc ra, qui trình chuyển đổi ngược lại.

Bắt Đầu Vận Hành

Lắp pin

Đặt gạc vận chuyển đổi chiều quay (7) vào giữa để tránh vô tình bật. Hãy lắp pin đã sạc (6) vào tay cầm, đến khi nó được gài vào khớp và nằm chính xác trên tay cầm.

Điều chỉnh hướng xoay (xem hình D)

Với gạc vận chuyển đổi chiều quay (7) bạn có thể thay đổi hướng xoay của dụng cụ điện. Tuy nhiên, việc này không thực hiện được khi công tắc Tắt/Mở được nhấn (8).

Xoay theo chiều kim đồng hồ: Để vặn các vít và siết các đai ốc hãy nhấn gạc vận chuyển đổi chiều quay (7) sang bên trái cho tới cỡ chặn.

Xoay ngược chiều kim đồng hồ: Để nới lỏng hoặc tháo các vít và đai ốc hãy nhấn gạc vận chuyển đổi chiều quay (7) sang bên phải cho tới cỡ chặn.

Sự chọn lực Truyền động, Cơ học

► Chỉ kích hoạt công tắc chọn vòng truyền động (3) khi dụng cụ điện đã ngừng chạy.

Với công tắc chọn vòng truyền động (3), có thể chọn sẵn 2 tầm tốc độ.

Cấp số I:

Tầm tốc độ thấp; phù hợp làm việc với đường kính khoan lớn hoặc siết ốc vít.

Cấp số II:

Tầm tốc độ cao; phù hợp làm việc với đường kính khoan nhỏ.

Nếu không thể xoay công tắc chọn vòng truyền động (3) đến cỡ chặn, hãy xoay nhẹ trục truyền động lắp mũi khoan.

Bật Mở và Tắt

Để **vận hành thử** dụng cụ điện hãy nhấn công tắc Tắt/Mở (8) và nhấn giữ.

Đèn (9) bật sáng khi nhấn nhẹ hoặc nhấn hoàn toàn công tắc Tắt/Mở (8) và cho phép chiếu sáng khu vực làm việc trong các điều kiện ánh sáng không tốt.

Để tắt máy, **nhả** công tắc Tắt/Mở (8) ra.

Điều chỉnh tốc độ

Bạn có thể điều tiết liên tục số vòng quay của dụng cụ điện đã bật, tùy vào việc bạn nhấn công tắc Tắt/Mở như thế nào (8).

Nhấn nhẹ trên công tắc Tắt/Mở (8) sẽ kích hoạt số vòng quay thấp. Tăng lực nhấn lên công tắc làm tăng tốc độ quay.

Bảo Vệ Chống Quá Tải Dựa Trên Nhiệt Độ

Trong quá trình sử dụng sắp tới, không được để dụng cụ điện bị quá tải. Nếu tải trọng quá nặng hoặc vượt quá nhiệt độ pin cho phép, hệ thống điện sẽ tắt dụng cụ điện, cho tới khi hệ thống này lại ở trong khoảng nhiệt độ vận hành tối ưu.

Hướng Dẫn Sử Dụng

► Chỉ đặt dụng cụ điện đã tắt lên đai ốc/vít.

Dụng cụ đang quay có thể bị tuột ra.

Momen xoắn tùy thuộc vào khoảng thời gian va đập. Momen xoắn đạt mức tối đa được tạo nên từ tổng momen xoắn riêng biệt được hoàn thành qua sự va đập. Mô men xoắn tối đa đạt được sau khoảng thời gian đập 6–10 giây. Sau khoảng thời gian này, lực siết chặt chỉ tăng thêm ở mức tối thiểu.

Khoảng thời gian đập được xác định cho từng lực siết riêng lẻ cần có. Để biết lực siết thực tế đạt được, luôn luôn kiểm tra bằng một cờ-lê sử dụng lực xoắn.

Vặn vít với điểm tựa cứng, có lò xo hoặc mềm

Nếu mô-men xoắn đạt được theo trình tự va đập được đo và được truyền tới biểu đồ, bạn sẽ thấy đường cong biến thiên của lực xoắn. Chiều cao của đường cong tương ứng với lực xoắn tối đa có thể đạt được, và đường đi xuống thể hiện khoảng thời gian trong đó động thái này hoàn thành.

Đường biến thiên của lực xoắn dựa trên các yếu tố sau:

- Tính chất bền của vít/dai ốc
- Loại đệm trợ lực (vòng lót, đệm lò xo, vòng đệm kín)
- Tính chất bền của vật liệu được bắt ghép bằng vít/bu-loong
- Tình trạng bôi trơn tại nơi bắt vít/bu-loong

Các trường hợp ứng dụng có kết quả theo tương ứng như sau:

- **Điểm tựa cứng** được sử dụng tại các mối bắt vít kim loại trên kim loại khi sử dụng các vòng đệm. Sau thời gian đập tương đối ngắn, lực xoắn tối

đa hoàn thành (đặt tính của đường cong đi xuống). Không cần phải có khoảng thời gian đập dài vì làm thế chỉ làm cho máy bị hỏng.

- **Điểm tựa có lò xo** được sử dụng tại các mối bắt vít kim loại trên kim loại, tuy nhiên là khi sử dụng các vòng lò xo, đệm lò xo, chốt ren hoặc vít/đai ốc với điểm tựa hình côn cũng như khi sử dụng các phần kéo dài.

Giá trị tiêu chuẩn cho mô-men xoắn siết vít

Thông số theo Nm, được tính từ tiết diện kéo căng; Tận dụng giới hạn rã 90 % (ở hệ số ma sát $\mu_{\text{tot}} = 0,12$). Luôn luôn kiểm tra lực siết vặn lại bằng máy vặn dùng lực xoắn như là một biện pháp kiểm soát.

Thuộc tính Chung loại theo tiêu chuẩn Đức DIN 267	Vít/Bu-loong tiêu chuẩn										
	3.6	4.6	5.6	4.8	6.6	5.8	6.8	6.9	8.8	10.9	12.9
M6	2.71	3.61	4.52	4.8	5.42	6.02	7,22	8.13	9.7	13.6	16.2
M8	6.57	8.7	11	11.6	13.1	14.6	17.5	19.7	23	33	39
M10	13	17.5	22	23	26	29	35	39	47	65	78
M12	22.6	30	37.6	40	45	50	60	67	80	113	135
M14	36	48	60	65	72	79	95	107	130	180	215
M16	55	73	92	98	110	122	147	165	196	275	330

- **Điểm tựa mềm** được sử dụng tại các mối bắt vít kim loại trên gỗ, hoặc khi sử dụng các đĩa sợi hoặc đĩa chì làm đệm.

Đối với điểm tựa có đệm lò xo chịu tải cũng như điểm tựa mềm, lực siết chặt tối đa thấp hơn điểm tựa cứng. Cũng như thế, đương nhiên là cần có khoảng thời gian đập dài hơn.

Mách nước

Trước khi bắt một vít lớn, dài hơn bình thường và vật liệu cứng, nên khoan trước một lỗ mỗi có cùng đường kính răng vít vào sâu vào khoảng 2/3 của chiều dài vít.

Lưu ý: Lưu ý không để các mảnh nhỏ kim loại lọt vào trong dụng cụ điện.

Lưu ý về cách sử dụng tối ưu ác quy

Bảo vệ pin hợp khối tránh sự ẩm ướt và nước. Chỉ bảo quản pin trong tầm nhiệt độ từ -20°C đến 50°C . Không để pin trong ô tô vào mùa hè.

Thỉnh thoảng làm sạch các khe thông gió của pin bằng cách dùng một cái cọ khô, mềm và sạch.

Sự giảm sút đáng kể thời gian hoạt động sau khi nạp điện chỉ rõ rằng pin hợp khối đã hết công dụng và phải được thay.

Quy trình hoạt động được chia ra làm hai giai đoạn.

Bảo Dưỡng và Bảo Quản

Bảo Dưỡng Và Làm Sạch

- ▶ **Thường xuyên làm sạch các khe thông gió của dụng cụ điện.** Quạt gió motor sẽ kéo bụi nằm trong vỏ máy ra và sự tích tụ quá nhiều bột kim loại có thể gây nên các nguy hiểm về điện.
- ▶ **Trước khi tiến hành bất cứ công việc gì với máy (ví dụ bảo dưỡng, thay dụng cụ v.v.) cũng như khi vận chuyển hay lưu kho, tháo pin ra khỏi dụng cụ điện.** Có nguy cơ gây thương tích khi vô tình làm kích hoạt công tắc Tắt/Mở.

- ▶ **Để được an toàn và máy hoạt động đúng chức năng, luôn luôn giữ máy và các khe thông gió được sạch.**

Dịch vụ hỗ trợ khách hàng và tư vấn sử dụng

Bộ phận phục vụ hàng sau khi bán của chúng tôi trả lời các câu hỏi liên quan đến việc bảo dưỡng và sửa chữa các sản phẩm cũng như phụ tùng thay thế của bạn. Sơ đồ mô tả và thông tin về phụ tùng thay thế cũng có thể tra cứu theo dưới đây:

www.bosch-pt.com

Đội ngũ tư vấn sử dụng của Bosch sẽ giúp bạn giải đáp các thắc mắc về sản phẩm và phụ kiện.

Trong tất cả các phản hồi và đơn đặt phụ tùng, xin vui lòng luôn luôn nhập số hàng hóa 10 chữ số theo nhãn của hàng hóa.

Việt Nam

CN CÔNG TY TNHH BOSCH VIỆT NAM TẠI TP.HCM

Tầng 14, Ngôi Nhà Đức, 33 Lê Duẩn
Phường Bến Nghé, Quận 1, Thành Phố Hồ Chí Minh

Tel.: (028) 6258 3690

Fax: (028) 6258 3692 - 6258 3694

Hotline: (028) 6250 8555

Email: tuvankhachhang-pt@vn.bosch.com

www.bosch-pt.com.vn

www.baohanhbosch-pt.com.vn

Xem thêm địa chỉ dịch vụ tại:

www.bosch-pt.com/serviceaddresses

Vận chuyển

Pin Li-Ion được khuyến nghị là đối tượng phải tuân theo các quy định của Pháp Luật về Hàng Hóa Nguy Hiểm. Người sử dụng có thể vận chuyển pin hợp khối bằng đường bộ mà không cần thêm yêu cầu nào khác.

Khi được vận chuyển thông qua bên thứ ba (vd. vận chuyển bằng đường hàng không hay đại lý giao nhận), phải tuân theo các yêu cầu đặc biệt về đóng gói và dán nhãn. Phải tham vấn chuyên gia về hàng hóa nguy hiểm khi chuẩn bị gói hàng.

Chỉ gửi pin hợp khối khi vỏ ngoài không bị hư hỏng. Dán băng keo hay che kín các điểm tiếp xúc hở và đóng gói pin hợp khối theo cách sao cho pin không thể xô dịch khi nằm trong bao bì. Ngoài ra, xin vui lòng chấp hành các quy định chi tiết có thể được bổ sung thêm của quốc gia.

Sự thải bỏ



Dụng cụ điện, pin, phụ kiện và bao bì cần được tái sử dụng theo quy định về môi trường.



Bạn không được ném dụng cụ điện và pin vào thùng rác gia đình!

Pin/ắc quy:

Li-Ion:

Tuân thủ những hướng dẫn trong phần vận chuyển (xem „Vận chuyển“, Trang 62).

مخصص للاستعمال الخارجي من خطر الصدمات الكهربائية.

- إن لم يكن بالإمكان تجنب تشغيل العدة الكهربائية في الأجواء الرطبة، فاستخدم مفتاح للوقاية من التيار المتخلف. إن استخدام مفتاح للوقاية من التيار المتخلف يقلل خطر الصدمات الكهربائية.

أمان الأشخاص

- كن يقظا وانتبه إلى ما تفعله واستخدم العدة الكهربائية بتعقل. لا تستخدم عدة كهربائية عندما تكون متعبا أو عندما تكون تحت تأثير المخدرات أو الكحول أو الأدوية. عدم الانتباه للحظة واحدة عند استخدام العدة الكهربائية قد يؤدي إلى إصابات خطيرة.

- قم لارتداء تجهيزات الحماية الشخصية. وارتد دائما نظارات واقية. يحد ارتداء تجهيزات الحماية الشخصية، كقناع الوقاية من الغبار وأحذية الأمان الواقية من الانزلاق والوذو أو واقية الأذنين، حسب ظروف استعمال العدة الكهربائية، من خطر الإصابة بجروح.

- تجنب التشغيل بشكل غير مقصود. تأكد من كون العدة الكهربائية مطفأة قبل توصيلها بالتيار الكهربائي و/أو بالمركم، وقبل رفعها أو حملها. إن كنت تضع إصبعك على المفتاح أثناء حمل العدة الكهربائية أو إن وصلت الجهاز بالشبكة الكهربائية بينما لا مفتاح على وضع التشغيل، قد يؤدي إلى وقوع الحوادث.

- انزع أداة الضبط أو مفتاح الربط قبل تشغيل العدة الكهربائية. قد تؤدي الأداة أو المفتاح المتواجد في جزء دوار من الجهاز إلى الإصابة بجروح.

- تجنب أوضاع الجسم غير الطبيعية. قف بأمان وحافظ على توازنك دائما. سيسمح لك ذلك بالتمكّن في الجهاز بشكل أفضل في الموافف الغير متوقعة.

- قم بارتداء ثياب مناسبة. لا ترتد الثياب الفضفاضة أو الحللى. احرص على إبقاء الشعر والملابس بعيدا عن الأجزاء المتحركة. قد تشابك الثياب الفضفاضة والحلى والشعر الطويل بالأجزاء المتحركة.

- إن جاز تركيب تجهيزات شفت وتجميع الغبار، فتأكد من أنها موصولة وبأنه يتم استخدامها بشكل سليم. قد يقلل استخدام تجهيزات لشفت الغبار من المخاطر الناتجة عن الغبار.

- لا تستخدم العدة الكهربائية بلا مبالاة وتجاهل قواعد الأمان الخاصة بها نتيجة لتعودك على استخدام العدة الكهربائية وكثرة استخدامها. فقد يتسبب الاستخدام دون حرص في حدوث إصابة بالغة تحدث في أجزاء من الثانية.

- حسن معاملة واستخدام العدد الكهربائية لا تفرط بتحميل الجهاز. استخدم لتنفيذ أشغالك العدة الكهربائية المخصصة لذلك. إنك تعمل بشكل أفضل وأكثر أمنا بواسطة العدة الكهربائية الملائمة في مجال الأداء المذكور.

- لا تستخدم العدة الكهربائية إن كان مفتاح تشغيلها تالف. العدة الكهربائية التي لم يعد من

عربي

إرشادات الأمان

الإرشادات العامة للأمان بالعدد الكهربائية

- تحذير** اطلع على كافة تحذيرات الأمان والتعليمات والصور والمواصفات المرفقة بالعدة الكهربائية. عدم اتباع التعليمات الواردة أدناه قد يؤدي إلى حدوث صدمة كهربائية، إلى نشوب حريق و/أو الإصابة بجروح خطيرة.

احتفظ بجميع الملاحظات التحذيرية والتعليمات للمستقبل.

يقصد بمصطلح «العدة الكهربائية» المستخدم في الملاحظات التحذيرية، العدد الكهربائية الموصولة بالشبكة الكهربائية (بواسطة كابل الشبكة الكهربائية) وأيضاً العدد الكهربائية المزودة بمركم (دون كابل الشبكة الكهربائية).

الأمان بمكان الشغل

- حافظ على نظافة مكان شغلك وإضاءة بشكل جيد. الفوضى في مكان الشغل ونطاقات العمل غير المضاعة قد تؤدي إلى وقوع الحوادث.

- لا تشتغل بالعدة الكهربائية في نطاق معرض لخطر الانفجار مثل الأماكن التي تتوفر فيه السوائل أو الغازات أو الأبخرة القابلة للاشتعال. العدد الكهربائية تولد شررا قد يتطاير، فيشعل الأبخرة والأبخرة.

- حافظ على بقاء الأطفال وغيرهم من الأشخاص بعيدا عندما تستعمل العدة الكهربائية. تشتيت الانتباه قد يتسبب في فقدان السيطرة على الجهاز.

الأمان الكهربائي

- يجب أن يتلائم قابس العدة الكهربائية مع المقبس. لا يجوز تغيير القابس بأي حال من الأحوال. لا تستعمل القوايس المهينة مع العدد الكهربائية المؤرصة (ذات طرف أرضي). تخفّض القوايس التي لم يتم تغييرها والمقابس الملائمة من خطر الصدمات الكهربائية.
- تجنب ملامسة جسمك للأسطح المؤرصة كالأنابيب والمبردات والمواقد أو التللاجت. يزداد خطر الصدمات الكهربائية عندما يكون جسمك مؤرض أو موصول بالأرضي.

- أبعد العدة الكهربائية عن الأمطار أو الرطوبة. يزداد خطر الصدمات الكهربائية إن تسرب الماء إلى داخل العدة الكهربائية.

- لا تسي استعمال الكابل. لا تستخدم الكابل في حمل العدة الكهربائية أو سحبها أو سحب القابس من المقبس. احرص على إبعاد الكابل عن الحرارة والزيت والحواف الحادة أو الأجزاء المتحركة. تزيد الكابلات التالفة أو المتشابكة من خطر الصدمات الكهربائية.

- عند استخدام العدة الكهربائية خارج المنزل اقتصر على استخدام كابلات التمديد الصالحة للاستعمال الخارجي. يقلل استعمال كابل تمديد

- ذلك. قد يؤدي سائل المرمك المتسرب إلى تهيج البشرة أو إلى الاحتراق.
- ◀ لا تستخدم عدة أو مرمك تعرضاً لأضرار أو للتعديل. البطاريات المتعرضة لأضرار أو لتعديلات قد ينتج عنها أشياء لا يمكن التنبؤ بها، قد تسبب نشوب حريق أو حدوث انفجار أو إصابات.
- ◀ لا تعرض المرمك أو العدة للهب أو لدرجة حرارة زائدة. التعرض للهب أو لدرجة حرارة أعلى من 130 °م قد يتسبب في انفجار.
- ◀ اتبع تعليمات الشحن ولا تقم بشحن المرمك أو العدة خارج نطاق درجة الحرارة المحدد في التعليمات. الشحن بشكل غير صحيح أو في درجات حرارة خارج النطاق المحدد قد يعرض المرمك لأضرار ويزيد من مخاطر الحريق.

الخدمة

- ◀ احرص على إصلاح عدتك الكهربائية فقط بواسطة العمال المتخصصين وباستعمال قطع الغيار الأصلية فقط. يضمن ذلك المحافظة على أمان الجهاز.
- ◀ لا تقم بإجراء أعمال خدمة على المراكم التالفة. أعمال الخدمة على المراكم يجب أن تقوم بها الجهة الصانعة فقط أو مقدم الخدمة المعتمد.

إرشادات الأمان لمفكات اللوالب الدقاقة

- ◀ أمسك العدة الكهربائية من أسطح المسك المعزولة عند القيام بأعمال قد يترتب عليها ملامسة أداة الربط لأسلاك كهربائية غير ظاهرة. قد يتسبب تلامس أداة الربط مع سلك «مكهرب» في مرور التيار في الأجزاء المعدنية من العدة وجعلها مكهربة مما قد يصيب المشغل بصدمة كهربائية.
- ◀ استخدم أجهزة تنقيب ملائمة للعثور على خطوط الامداد غير الظاهرة، أو استعن بشركة الامداد المحلية. ملامسة الخطوط الكهربائية قد تؤدي إلى اندلاع النار وإلى الصدمات الكهربائية. حدوث أضرار بخط الغاز قد يؤدي إلى حدوث انفجارات. اختراق خط الماء يتسبب في وقوع أضرار مادية.
- ◀ أمسك بالعدة الكهربائية بإحكام. قد تشكل عزم رد فعل عالية لوهلة قصيرة عند إحكام شد وحلّ اللوالب.
- ◀ احرص على تأمين قطعة الشغل. قطعة الشغل المثبتة بواسطة تجهيزه شد أو بواسطة الملزمة مثبتة بأمان أكبر مما لو تم الإمساك بها بواسطة يدك.
- ◀ انتظر إلى أن تتوقف العدة الكهربائية عن الحركة قبل أن تضعها جانباً. قد تتكلم عدة الشغل فتؤدي إلى فقدان السيطرة على العدة الكهربائية.
- ◀ قد تنطلق أبخرة عند تلف المرمك واستخدامه بطريقة غير ملائمة. يمكن أن يحترق المرمك أو يتعرض للانفجار. أمن توفر الهواء النقي وراجع الطبيب إن شعرت بشكوى. قد تهيج هذه الأبخرة المجاري التنفسية.

- الممكن التحكم بها عن طريق مفتاح التشغيل والإطفاء تعتبر خطيرة ويجب أن يتم إصلاحها.
- ◀ اسحب القابس من المقبس و/أو اخلع المرمك، إذا كان قابلاً للخلع، قبل ضبط الجهاز وقبل استبدال الملحقات أو قبل تخزين الجهاز. تمنع هذه الإجراءات وقائية تشغيل العدة الكهربائية بشكل غير مقصود.
- ◀ احتفظ بالعدد الكهربائية التي لا يتم استخدامها بعيداً عن متناول الأطفال. لا تسمح باستخدام العدة الكهربائية لمن لا خبرة له بها أو لمن لم يقرأ تلك التعليمات. العدد الكهربائي خطيرة إن تم استخدامها من قبل أشخاص دون خبرة.
- ◀ اعتن بالعدة الكهربائية والملحقات بشكل جيد. تأكد أن أجزاء الجهاز المتحركة مركبة بشكل سليم وغير مستعصية عن الحركة، وتفحص ما إن كانت هناك أجزاء مكسورة أو في حالة تؤثر على سلامة أداء العدة الكهربائية. ينبغي إصلاح هذه الأجزاء التالفة قبل إعادة تشغيل الجهاز. الكثير من الحوادث مصدرها العدد الكهربائي التي تتم صيانتها بشكل ردي.
- ◀ احرص على إبقاء عدد القطع نظيفة وحادة. إن عدد القطع ذات حواف القطع المادة التي تم صيانتها بعناية تتكلم بشكل أقل ويمكن توجيهها بشكل أيسر.
- ◀ استخدم العدد الكهربائية والتوابع وريش الشغل إلخ. وفقاً لهذه التعليمات. تراعى أثناء ذلك ظروف الشغل والعمل المراد تنفيذه. استخدام العدد الكهربائية لغير الأشغال المخصصة لأجلها قد يؤدي إلى حدوث الحلات الخطيرة.
- ◀ احرص على إبقاء المقابض وأسطح المسك جافة ونظيفة وخالية من الزيوت والشحوم. المقابض وأسطح المسك الزلقة لا تتبع التشغيل والتحكم الأمان في العدة في المواقف غير المتوقعة.
- حسن معاملة واستخدام العدد المزودة بمرمك اشحن المراكم فقط في أجهزة الشحن التي يُمنع باستخدامها من طرف المنتج. قد يتسبب جهاز الشحن المخصصة لنوع معين من المراكم في خطر الحريق إن تم استخدامه مع نوع آخر من المراكم.
- ◀ استخدم العدد الكهربائية فقط مع المراكم المصممة لهذا الغرض. قد يؤدي استخدام المراكم الأخرى إلى إصابات وإلى خطر نشوب الحرائق.
- ◀ حافظ على إبعاد المرمك الذي لا يتم استعماله عن مشابك الورق وقطع النقود المعدنية والمفاتيح والمسامير واللوالب أو غيرها من الأغراض المعدنية الصغيرة التي قد تقوم بتوصيل الملامسين ببعضهما البعض. قد يؤدي تقصير الدارة الكهربائية بين ملامسي المرمك إلى الاحتراق أو إلى اندلاع النار.
- ◀ قد يتسرب السائل من المرمك في حالة سوء الاستعمال. تجنب ملامسته. اشطفه بالماء في حال ملامسته بشكل غير مقصود. إن وصل السائل إلى العينين، فراجع الطبيب إضافة إلى

الاستعمال المخصص

لقد خصصت العدة الكهربائية لربط وفك اللوالب وأيضاً لشدّ وحلّ الصواميل في نطاق القياس المذكور لكل منها.

الأجزاء المصورة

يشير ترقيم الأجزاء المصورة إلى الصورة المعروضة للعدة الكهربائية في صفحة الرسوم.

- (1) حاضن العدة
 - (2) جلبة إقفال
 - (3) مفتاح اختيار ترس السرعة
 - (4) حاضن مقبض الحمل
 - (5) زر تحرير المركم
 - (6) مركم
 - (7) مفتاح تحويل اتجاه الدوران
 - (8) مفتاح التشغيل والإطفاء
 - (9) مصباح الضوء القوي „PowerLight“
 - (10) مقبض (سطح قبض معزول)
 - (11) لقمة مزدوجة^(a)
 - (12) حامل لقم عام^(a)
 - (13) لقمة ربط لولاب^(a)
 - (14) عدة الشغل (مثلاً: لقمة شد صامولة)^(a)
- (a) لا يتضمن إطار التوريد الاعتيادي التوابع المصورة أو المشروحة. تجد التوابع الكاملة في برنامجنا للتوابع.

◀ لا تفتح المركم. يتشكل خطر تقصير الدائرة الكهربائية.

◀ يمكن أن يتعرض المركم لأضرار من خلال الأشياء المعدنية مثل المسامير والمفكات أو من خلال تأثير القوى الخارجية. وقد يؤدي هذا إلى تقصير الدائرة الكهربائية الداخلية واحترق المركم أو خروج الأدخنة منه أو انفجاره وتعرضه لسخونة مفرطة.

◀ اقتصر على استخدام المركم في منتجات الجهة الصانعة. يتم حماية المركم من فرط التحميل الخطير بهذه الطريقة فقط دون غيرها.

احرص على حماية المركم من الحرارة، بما ذلك التعرض لأشعة الشمس باستمرار ومن النار والاحتساخ والماء والرطوبة. حيث ينشأ خطر الانفجار وخطر حدوث دائرة قصر.



وصف المنتج والأداء

اقرأ جميع إرشادات الأمان والتعليمات. ارتكاب الأخطاء عند تطبيق إرشادات الأمان والتعليمات، قد يؤدي إلى حدوث صدمات كهربائية أو إلى نشوب الحرائق و/أو الإصابة بجروح خطيرة.



يرجى الرجوع إلى الصور الموجودة في الجزء الأول من دليل التشغيل.

البيانات الفنية

مفك لولاب دقاق عامل بمركم			
GDS 120-LI	GDR 120-LI		رقم الصنف
3 601 JF0 1..	3 601 JF0 0..		
12	12	فلط=	الجهد الاسمي
			عدد اللفات اللاحملي ^(a)
1300-0	1300-0	لفة/دقيقة	- وضع الضبط 1
2600-0	2600-0	لفة/دقيقة	- وضع الضبط 2
			عدد الطرقات ^(a)
1500-0	1500-0	min ⁻¹	- وضع الضبط 1
2700-0	2700-0	min ⁻¹	- وضع الضبط 2
105	100	نيوتن متر	عزم الدوران الأقصى ^(a) في حالة ربط لولاب قاسية حسب المواصفة ISO 5393
M4-M12	M4-M12	مم	لولاب آلات بقطر
8	8	مم	القطر الأقصى للولاب
■ 3/8 بوصة	رأس سداسي مجوف ¼ بوصة		حاضن العدة
1,1	1,1	كجم	الوزن حسب EPTA- Procedure 01:2014
35+ ... 0	35+ ... 0	°م	درجة الحرارة المحيطة الموصى بها عند الشحن
50+ ... 20-	50+ ... 20-	°م	درجة الحرارة المحيطة المسموح بها عند التشغيل ^(b) وعند التخزين
GBA 12V ...	GBA 12V ...		المركم الموصى بها

GDS 120-LI	GDR 120-LI	مفك لولاب دقاق عامل بمركم
GAL 12 ...	GAL 12 ...	أجهزة الشمن الموصى بها
GAX 18 ...	GAX 18 ...	

(A) مقاسة عند درجة حرارة 20-25 °م مع مركم GBA 12V 2.0 Ah

(B) قدرة محدودة في درجات الحرارة > 0 °م

قد تختلف القيم حسب المنتج وظروف الاستخدام والبيئة. المزيد من المعلومات على موقع الإنترنت www.bosch-professional.com/wac

التركيب

◀ انزع المركم عن العدة الكهربائية قبل إجراء أي أعمال بالعدة الكهربائية (مثلاً: الصيانة، استبدال العدد وإلخ..). وأيضاً عند نقلها أو تخزينها. هناك خطر إصابة بجروح عند الضغط على مفتاح التشغيل والإطفاء بشكل غير مقصود.

شحن المركم

◀ اقتصر على استخدام أجهزة الشمن المذكورة في المواصفات الفنية. أجهزة الشمن هذه دون غيرها هي المتوائمة مع مركم أيونات الليثيوم المستخدم في عدتك الكهربائية.

ملحوظة: يتم تسليم المركم وهو بحالة شمن جزئي. لضمان قدرة أداء المركم الكاملة، يتوجب شمن المركم في تجهيزة الشمن بشكل كامل قبل الاستعمال لأول مرة.

يمكن أن يتم شمن مركم أيونات الليثيوم في أي وقت، دون أن يقلل ذلك من فترة صلاحيته. لا يتسبب قطع عملية الشمن في الإضرار بالمركم. لقد تمّ وقاية مركم أيونات الليثيوم من التفريغ الشديد بواسطة واقية الخلايا الإلكترونية، "Electronic Cell Protection (ECP)". يتم إطفاء العدة الكهربائية بواسطة قارئة وقائية عندما يفرغ المركم: لن تتحرك عدة الشغل عندئذ.

◀ لا تتابع الضغط على مفتاح التشغيل والإطفاء بعد انطفاء العدة الكهربائية بشكل آلي. فقد يتلف المركم.

إخراج المركم (انظر الصورة A)

لخلع المركم (6) اضغط على زر فك الإقفال (5) واجذب المركم من العدة الكهربائية إلى أسفل. لا تستخدم القوة أثناء ذلك.

استبدال العدد

◀ انزع المركم عن العدة الكهربائية قبل إجراء أي أعمال بالعدة الكهربائية (مثلاً: الصيانة، استبدال العدد وإلخ..). وأيضاً عند نقلها أو تخزينها. هناك خطر إصابة بجروح عند الضغط على مفتاح التشغيل والإطفاء بشكل غير مقصود.

:GDR 120-LI

تركيب عدة الشغل (انظر الصورة B)

اسحب لبيسة الإقفال (2) إلى الأمام، وأدخل عدة الشغل في حاضن العدة حتى النهاية (1) ثم اترك لبيسة الإقفال (2) مرة أخرى لتثبيت عدة الشغل. يمكنك أن تضع لقم ربط اللولاب (13) من خلال حامل اللقم العام مع التعشيق الكروي (12).

فك عدة الشغل

اسحب لبيسة الإقفال (2) إلى الأمام واخلع عدة الشغل.

GDS 120-LI: (انظر الصورة C)

◀ احرص على ارتكاز عدة الشغل على حاضن العدة بأمان أثناء تركيبها. إن لم يتم ربط عدة الشغل بحاضن العدة بأمان، فقد تنحل عنه أثناء عملية ربط اللولب.

ادفع عدة الشغل (14) على المحور الرباعي الحواف بحاضن العدة (1).

يتطلب النظام ارتكاز عدة الشغل (14) على حاضن العدة (1)، ببعض اللعب، لا يؤثر ذلك على الوظيفة/الأمان.

التشغيل

طريقة العمل

يتمّ تحريك حاضن العدة (1) مع العدة من خلال محرك كهربائي عبر تروس نقل الحركة وآلية الطرق. يقسم مجرى العمل إلى مرحلتين: ربط اللولاب و إحكام الشدّ (آلية الطرق قيد العمل).

تبدأ آلية الطرق بالعمل فور إحكام انغراز اللولب مما يؤدي إلى تحميل المحرك. وبذلك تحول آلية الطرق قدرة المحرك إلى طرقات دورانية منتظمة. يتمّ هذا الإجراء بشكل معاكس عند حلّ اللولاب أو الصواميل.

بدء التشغيل

تركيب المركم

اضبط مفتاح تحويل اتجاه الدوران (7) على الوضع المتوسط لمنع التشغيل غير المقصود. ضع المركم المشحون (6) في المقبض إلى أن يثبت بصوت مسموع، ويتساطع مع المقبض.

ضبط اتجاه الدوران (انظر الصورة D)

يمكنك أن تغير اتجاه دوران العدة الكهربائية (7) بواسطة مفتاح تغيير اتجاه الدوران. إلا أنه لا يمكن تغييره عندما يكون مفتاح التشغيل والإطفاء (8) مضغوطاً.

دوران إلى اليمين: لربط اللولاب وشدّ الصواميل اضغط مفتاح تحويل اتجاه الدوران (7) إلى اليسار حتى المصد.

دوران إلى اليسار: لحلّ أو فك اللولاب والصواميل اضغط مفتاح تغيير اتجاه الدوران (7) إلى اليمين حتى المصد.

إرشادات العمل

◀ ضع العدة الكهربائية على اللولب/الصامولة فقط عندما تكون مطفأة. إن عدد الشغل الدوارة قد تنزلق.

يتعلق عزم الدوران بمدى الطرق. ينتج عزم الدوران الأقصى المحقق عن مجموع جميع عزوم الدوران المفردة التي تم تحقيقها من خلال الطرق. يتم التوصل إلى عزم الدوران الأقصى بعد مدة طرق قدرها من 6-10 ثوان. لا يرتفع عزم دوران الزنق بعد هذه المدة إلا بمقدار ضئيل فقط. ينبغي التحري عن مدة الطرق لكل عزم ربط مطلوب. ينبغي دوماً قياس عزم الربط الفعلي المحقق بواسطة مفتاح عزم الدوران.

ربط اللولب ذات المركز الصلب أو النابضي أو اللين

في حالة قياس عزوم الدوران المتحققة أثناء طرق متعاقب كتحربة وتسجيلها في مخطط بياني سنحصل على منحنى يبين مسار العزم. يشير ارتفاع المنحنى البياني أقصى عزم دوران يمكن التوصل إليه، ويشير الميل إلى الفترة المطلوبة للوصول إليه.

يتعلق الرسم البياني لعزم الدوران بالعوامل التالية:

- متانة اللولب/الصواميل
- نوع القاعدة (قرص، صفيحة نابضية، مانع تسريب)
- متانة المادة المرغوب ربطها باللولب
- حالة تزييل مكان ربط اللولب

واعتماداً على ذلك تنتج حالات الاستعمال التالية:

المركز الصلب يتحقق عند ربط المعادن بالمعادن مع استخدام الفلك. يتم التوصل إلى عزم الدوران الأقصى (ميل المنحنى البياني حاد) بعد مدة طرق قصيرة نسبياً. مدة الطرق الطويلة غير الضرورية تضر بالعدة.

المركز النابضي يتحقق عند ربط المعادن بالمعادن ولكن مع استخدام الحلقات النابضية، الصفائح النابضية، المسامير المبادعة أو اللولب والصواميل ذات المركز المخروطي وأيضاً عند استخدام وصلات التمديد.

المركز اللين يتحقق عند ربط المعادن بالخشب مثلاً أو عند استخدام الفلك الرصاصية أو الليفية كقاعدة أساسية.

يقل عزم دوران الزنق الأقصى عندما يكون المركز مرن أو لين، مما يكون عليه في المركز القاسي. كما يتطلب ذلك مدة طرق أطول بوضوح.

اختيار ترس السرعة ميكانيكياً
◀ اضبط مفتاح اختيار ترس السرعة (3) فقط عندما تكون العدة الكهربائية متوقفة عن الحركة.

يمكنك بواسطة مفتاح اختيار ترس السرعة (3) أن تختار مجالين اثنين لسرعة الدوران مسبقاً.

ترس السرعة ا:

مجال عدد لفات منخفض، لربط اللولب أو للشغل بقطر ثقب كبير.

ترس السرعة اا:

مجال عدد لفات مرتفع لأداء العمل بقطر ثقب صغير. إذا لم يمكن تحريك مفتاح اختيار ترس السرعة (3) حتى المصد، فأدر محور الدوران بلقمة التثقيب بعض الشيء.

التشغيل والإطفاء

لغرض تشغيل العدة الكهربائية اضغط على مفتاح التشغيل والإطفاء (8) وحافظ على إبقائه مضغوطاً. يضيء المصباح (9) عند الضغط على مفتاح التشغيل والإطفاء (8) بشكل جزئي أو كامل ويسمع بإضاءة مكان الشغل إن كانت ظروف الإضاءة غير ملائمة. لغرض إطفاء العدة الكهربائية اترك مفتاح التشغيل والإطفاء (8).

ضبط عدد الدوران

يمكنك أن تتحكم بعدد دوران العدة الكهربائية قيد التشغيل دون تدريج، حسب مدى الضغط على مفتاح التشغيل والإطفاء (8).

يؤدي الضغط الخفيف على مفتاح التشغيل والإطفاء (8) إلى عدد لفات منخفض. يزداد عدد اللفات بزيادة الضغط.

وسيلة حماية من التحميل الزائد المرتبطة بدرجة الحرارة

في الاستعمال المطابق للتعليمات لا يمكن تعريض العدة الكهربائية للتحميل الزائد. في حالة التحميل الزائد أو تجاوز درجة حرارة البطارية المسموح بها تقوم الوحدة الإلكترونية بفصل العدة الكهربائية إلى أن تصل مرة أخرى إلى نطاق درجة حرارة التشغيل المثالي.

قيم مرجعية لعزوم الربط القصوى عند ربط اللولب

القيم بالنيوتن متر، تم حسابها من خلال معدل عينات الأجهاد. استغلال نهاية حد المرونة 90 % (عندما يكون معامل الاحتكاك الإجمالي = 0,12). للمتابعة ينبغي قياس عزم الربط دائماً بواسطة مفتاح قياس العزم.

فات المتانة حسب المواصفة DIN 267	اللولب القياسية										
	12.9	10.9	8.8	6.9	6.8	5.8	6.6	4.8	5.6	4.6	3.6
M6	16.2	13.6	9.7	8.13	7.22	6.02	5.42	4.8	4.52	3.61	2.71
M8	39	33	23	19.7	17.5	14.6	13.1	11.6	11	8.7	6.57
M10	78	65	47	39	35	29	26	23	22	17.5	13
M12	135	113	80	67	60	50	45	40	37.6	30	22.6
M14	215	180	130	107	95	79	72	65	60	48	36
M16	330	275	196	165	147	122	110	98	92	73	55

النقل

تخضع مراكم أيونات الليثيوم الموصى بها لاشتراطات قانون المواد الخطرة. يسمح للمستخدم أن يقوم بنقل المراكم على الطرقات دون التقيد بأية شروط إضافية.

عندما يتم إرسالها عن طريق طرف آخر (مثلاً: الشحن الجوي أو شركة شحن)، يتوجب التقيد بشروط خاصة بصدد التخليف ووضع العلامات. ينبغي استشارة خبير متخصص بنقل المواد الخطيرة عندما يرغب بتحضير المركم المراد شحنه في هذه الحالة.

لا تقوم بشحن المراكم إلا إذا كان هيكلها الخارجي سليم. قم بتغطية الملامسات المكشوفة ن بلاصقات، و قم بتغليف المركم بحيث لا يتحرك في الطرد. يرجى أيضاً مراعاة التشريعات المحلية المتعلقة إن وجدت.

التخلص من العدة الكهربائية

يجب التخلص من العدة الكهربائية والمركم والتوابع والتغليف بطريقة صديقة للبيئة عن طريق النفايات القابلة لإعادة التصنيع.

لا تلق العدة الكهربائية والمراكم/البطاريات ضمن النفايات المنزلية!



المراكم/البطاريات:

مراكم أيونات الليثيوم:

يرجى مراعاة الإرشادات الواردة في جزء النقل (انظر „النقل“، الصفحة 68).

نصائح

قبل ربط اللوالب الكبيرة الطويلة في الخيامات القاسية، ينصح بإجراء ثقب تمهيدي بقطر لبّ اللولب وبمقدار 2/3 طول اللولب.

إرشاد: احرص على عدم دخول أية قطع معدنية صغيرة إلى داخل العدة الكهربائية.

إرشادات لمعاملة المركم بطريقة مثالية

قم بحماية المركم من الرطوبة والماء.

لا تقم بتخزين المركم إلا في نطاق درجة حرارة يقع بين -20°م وحتى 50°م. لا تترك المركم في السيارة في فصل الصيف مثلاً.

نظف فتحات التهوية بالمركم من فترة لأخرى بواسطة فرشاة طرية ونظيفة وجافة.

إذا انخفضت فترة التشغيل بعد الشحن بدرجة كبيرة فهذا يعني أن المركم قد استهلك وأنه يجب استبداله.

تراعى الملاحظات بصدد التخلص من العدة.

الصيانة والخدمة

الصيانة والتنظيف

◀ **قم بتنظيف فتحات التهوية بالعدة الكهربائية بشكل دوري.** إن منافخ المرمك يسحب الغبار إلى داخل الهيكل، وتراكم الأغبرة المعدنية الشديد قد يشكل المخاطر الكهربائية.

◀ **انزع المرمك عن العدة الكهربائية قبل إجراء أي أعمال بالعدة الكهربائية (مثلاً: الصيانة، استبدال العدد وإلخ..). وأيضاً عند نقلها أو تخزينها.** هناك خطر إصابة بجروح عند الضغط على مفتاح التشغيل والإطفاء بشكل غير مقصود.

◀ **للعمل بشكل جيد وأمن حافظ دائماً على نظافة العدة الكهربائية وفتحات التهوية .**

خدمة العملاء واستشارات الاستخدام

يجيب مركز خدمة العملاء على الأسئلة المتعلقة بإصلاح المنتج وصيانتته، بالإضافة لقطع الغيار. تجد الرسوم التفصيلية والمعلومات الخاصة بقطع الغيار في الموقع: www.bosch-pt.com

يسر فريق Bosch لاستشارات الاستخدام مساعدتك إذا كان لديك أي استفسارات بخصوص منتجاتنا وملحقاتها.

يلزم ذكر رقم الصنف ذو الخانات العشر وفقاً للوحة صنع المنتج عند إرسال أية استفسارات أو طلبيات قطع غيار.

المغرب

Robert Bosch Morocco SARL

53، شارع الملازم محمد ممرود

20300 الدار البيضاء

الهاتف: 212 5 29 31 43 27

البريد الإلكتروني: sav.outillage@ma.bosch.com

تجد المزيد من عناوين الخدمة تحت:

www.bosch-pt.com/serviceaddresses

فارسی

دستورات ایمنی

نکات ایمنی عمومی برای ابزارهای برقی

⚠ هشدار

کلیه هشدارها،

دستورالعملها، تصاویر و

مشخصات ارائه شده به همراه ابزار برقی را

مطالعه کنید. اشتباهات ناشی از عدم رعایت این

دستورات ایمنی ممکن است باعث برق گرفتگی،

سوختگی و یا سایر جراحات های شدید شود.

کلیه هشدارهای ایمنی و راهنماییها را برای

آینده خوب نگهداری کنید.

عبارت «ابزار برقی» در هشدارها به ابزارهایی که به

پریز برق متصل میشوند (با سیم برق) و یا ابزارهای

برقی باتری دار (بدون سیم برق) اشاره دارد.

ایمنی محل کار

◀ محیط کار را تمیز و روشن نگه دارید.

محیطهای در هم ریخته یا تاریک احتمال بروز حادثه

را افزایش میدهند.

◀ ابزار برقی را در محیطهایی که خطر انفجار

وجود دارد و حاوی مایعات، گازها و بخارهای

مخترقه هستند، به کار نگیرید. ابزارهای برقی

چرقههایی ایجاد میکنند که میتوانند باعث آتش

گرفتن گرد و غبارهای موجود در هوا شوند.

◀ هنگام کار با ابزار برقی، کودکان و سایر

افراد را از دستگاه دور نگه دارید. در

صورتیکه حواس شما پرت شود، ممکن است

کنترل دستگاه از دست شما خارج شود.

ایمنی الکتریکی

◀ دوشاخه ابزار برقی باید با پریز برق تناسب

داشته باشد. هیچگونه تغییری در دوشاخه

ایجاد نکنید. مبدل دوشاخه نباید همراه با

ابزار برقی دارای اتصال زمین استفاده شود.

دوشاخههای اصل و تغییر داده نشده و پریزهای

مناسب، خطر برق گرفتگی را کاهش میدهند.

◀ از تماس بدنی با قطعات متصل به سیم

اتصال زمین مانند لوله، شوفاژ، اجاق برقی و

یخچال خودداری کنید. در صورت تماس بدنی با

سطوح و قطعات دارای اتصال به زمین و همچنین

تماس شما با زمین، خطر برق گرفتگی افزایش

می یابد.

◀ ابزارهای برقی را در معرض باران و رطوبت

قرار ندهید. نفوذ آب به ابزار برقی، خطر شوک

الکتریکی را افزایش میدهد.

◀ از سیم دستگاه برای مقاصد دیگر استفاده

نکنید. هرگز برای حمل ابزار برقی، کشیدن آن

یا خارج کردن دوشاخه از سیم دستگاه

استفاده نکنید. کابل دستگاه را از حرارت،

روغن، لیبهای تیز یا قطعات متحرک دور نگه

دارید. کابلهای آسیب دیده و یا گره خورده خطر

شوک الکتریکی را افزایش میدهند.

◀ هنگام استفاده از ابزار برقی در محیطهای

باز، تنها از کابل رابطی استفاده کنید که برای

محیط باز نیز مناسب باشد. کابل های رابط

مناسب برای محیط باز، خطر برق گرفتگی را کم می کنند.

◀ در صورت لزوم کار با ابزار برقی در محیط و

اماکن مرطوب، باید از یک کلید حفاظتی

جریان خطا و نشستی زمین (کلید قطع کننده

اتصال با زمین) استفاده کنید. استفاده از

کلید حفاظتی جریان خطا و نشستی زمین خطر برق

گرفتگی را کاهش می دهد.

رعایت ایمنی اشخاص

◀ حواس خود را خوب جمع کنید، به کار خود

دقت کنید و با فکر و هوشیاری کامل با ابزار

برقی کار کنید. در صورت خستگی و یا در

صورتی که مواد مخدر، الکل و دارو استفاده

کردهاید، با ابزار برقی کار نکنید. یک لحظه بی

توجهی هنگام کار با ابزار برقی، میتواند جرات

های شدیدی به همراه داشته باشد.

◀ از تجهیزات ایمنی شخصی استفاده کنید.

همواره از عینک ایمنی استفاده نمایید.

استفاده از تجهیزات ایمنی مانند ماسک ضد گرد و

غبار، کفشهای ایمنی ضد لغزش، کلاه ایمنی و

گوشی محافظ متناسب با نوع کار با ابزار برقی،

خطر مجروح شدن را کاهش میدهد.

◀ مواظب باشید که ابزار برقی بطور ناخواسته

بکار نیفتد. قبل از وارد کردن دوشاخه

دستگاه در پریز برق، اتصال آن به باتری،

برداشتن آن و یا حمل دستگاه، باید دقت

کنید که ابزار برقی خاموش باشد. در صورتی

که هنگام حمل دستگاه انگشت شما روی دکمه

قطع و وصل باشد و یا دستگاه را در حالت روشن

به برق بزنید، ممکن است سوانح کاری پیش آید.

◀ قبل از روشن کردن ابزار برقی، همه ابزارهای

تنظیم کننده و آچارها را از روی دستگاه

بردارید. ابزار و آچارهایی که روی بخش های

چرخنده دستگاه قرار دارند، میتوانند باعث ایجاد

جرات شوند.

◀ وضعیت بدن شما باید در حالت عادی قرار

داشته باشد. برای کار جای مطمئنی برای

خود انتخاب کرده و تعادل خود را همواره

حفظ کنید. به این ترتیب میتوانید ابزار برقی را در

وضعتهای غیر منظره بهتر تحت کنترل داشته

باشید.

◀ لباس مناسب بپوشید. از پوشیدن لباسهای

گشاد و حمل زینت آلات خودداری کنید.

موها و لباس خود را از بخشهای در حال

چرخش دستگاه دور نگه دارید. لباسهای

گشاد، موی بلند و زینت آلات ممکن است در

قسمتهای در حال چرخش دستگاه گیر کنند.

◀ در صورتی که تجهیزاتی برای اتصال وسائل

مکش گرد و غبار و یا وسیله جمع کننده گرد

و غبار ارائه شده است، باید مطمئن شوید

که این وسائل درست نصب و استفاده

می شوند. استفاده از وسائل مکش گرد و غبار

مصونیت شما را در برابر گرد و غبار زیادتیر میکند.

◀ آشنایی با ابزار به دلیل کار کردن زیاد با آن

نباید باعث سهل انگاری شما و نادیده گرفتن

اصول ایمنی شود. بی دقتی ممکن است باعث

بروز جراحاتی در عرض کسری از ثانیه شود.

- شوند. ایجاد اتصالی بین دو قطب باتری (ترمینالهای باتری) میتواند باعث سوختگی و ایجاد حریق شود.
- استفاده بی رویه از باتری میتواند باعث خروج مایعات از آن شود؛ از هر گونه تماس با این مایعات خودداری کنید. در صورت تماس اتفاقی با آن، دست خود و یا محل تماس را با آب بشوئید. در صورت آلوده شدن چشم با این مایع، باید به پزشک مراجعه کنید. مایع خارج شده از باتری میتواند باعث التهاب پوست و سوختگی شود.
- هرگز از باتری یا ابزار آسیب دیده یا دست کاری شده استفاده نکنید. باتریهای آسیب دیده ممکن است کارکرد غیر منتظرهای داشته باشند و منجر به آتش سوزی، انفجار یا جراحت شوند.
- باتری یا ابزار را در معرض آتش یا دمای زیاد قرار ندهید. قرار گرفتن در معرض آتش یا دمای بالاتر از 130 درجه سانتیگراد میتواند باعث انفجار شود.
- همه راهنمایهای مربوط به شارژ را رعایت کنید و باتری یا ابزار را خارج از محدوده دمای تعریف شده در دستورات شارژ نکنید. شارژ کردن نادرست یا در دمای خارج از محدوده تعریف شده ممکن است به باتری صدمه بزند و خطر آتش سوزی را افزایش دهد.
- سرویس**
- برای تعمیر ابزار برقی فقط به متخصصین حرفهای رجوع کنید و از قطعات یدکی اصل استفاده نمایید. این باعث خواهد شد که ایمنی دستگاه شما تضمین گردد.
- هرگز باتریهای آسیب دیده را تعمیر نکنید. باتری باید تنها توسط متخصصین مجاز شرکت تعمیر شوند.
- راهنمایهای ایمنی برای پیچگوشتها**
- در صورت انجام کارهایی که امکان برخورد با کابلهای حامل جریان برق مخفی وجود دارد، ابزار برقی را از دسته عایق بگریزید در صورت برخورد با یک کابل حامل "جریان برق" ممکن است قسمتهای فلزی ابزار برقی حامل "جریان برق" شوند و باعث بروز شوک الکتریکی یا برق گرفتگی گردند.
- برای پیدا کردن لوله ها و سیم های پنهان موجود در ساختمان و محدوده کار، از یک دستگاه ردیاب مخصوص برای یافتن لوله ها و سیمهای تأسیسات استفاده کنید و یا با شرکت های کارهای تأسیسات ساختمان و خدمات مربوطه تماس بگیرید. تماس با کابل و سیمهای برق ممکن است باعث آتشسوزی و یا برق گرفتگی شود. ایراد و آسیب دیدگی لوله گاز میتواند باعث انفجار شود. سوراخ شدن لوله آب باعث ایجاد خسارت میشود.
- ابزار برقی را محکم بگیرید. هنگام سفت و باز کردن پیچها ممکن است گشتاورهای بازگشتی بلایی به طور موقت ایجاد شوند.

- استفاده صحیح از ابزار برقی و مراقبت از آن
- از وارد کردن فشار زیاد روی دستگاه خودداری کنید. برای هر کاری، از ابزار برقی مناسب با آن استفاده کنید. بکار گرفتن ابزار برقی مناسب باعث میشود که بتوانید از توان دستگاه بهتر و با اطمینان بیشتر استفاده کنید.
- در صورت ایراد در کلید قطع و وصل ابزار برقی، از دستگاه استفاده نکنید. ابزار برقی که نمی توان آنها را قطع و وصل کرد، خطرناک بوده و باید تعمیر شوند.
- قبل از تنظیم ابزار برقی، تعویض متعلقات و یا کنار گذاشتن آن، دوشاخه را از برق بکشید و یا باتری آنرا خارج کنید. رعایت این اقدامات پیشگیری ایمنی از راه افتادن ناخواسته ابزار برقی جلوگیری می کند.
- ابزار برقی را در صورت عدم استفاده، از دسترس کودکان دور نگه دارید و اجازه ندهید که افراد ناوارد و یا اشخاصی که این دفترچه راهنما را نخواندهاند، با این دستگاه کار کنند. قرار گرفتن ابزار برقی در دست افراد ناوارد و بی تجربه خطرناک است.
- از ابزار برقی و متعلقات خوب مراقبت کنید. مواظب باشید که قسمت های متمرک دستگاه خوب کار کرده و گیر نکنند. همچنین دقت کنید که قطعات ابزار برقی شکسته و یا آسیب دیده نباشند. قطعات آسیب دیده را قبل از شروع به کار تعمیر کنید. علت بسیاری از سوانح کاری، عدم مراقبت کامل از ابزارهای برقی می باشد.
- ابزار برش را تیز و تمیز نگه دارید. ابزار برشی که خوب مراقبت شده و از لبه های تیز برخوردار است، کمتر در قطعه کار گیر کرده و بهتر قابل هدایت است.
- ابزار برقی، متعلقات، متهای دستگاه و غیره را مطابق دستورات این جزوه راهنما به کار گیرید و به شرایط کاری و نوع کار نیز توجه داشته باشید. استفاده از ابزار برقی برای عملیاتی به جز مقاصد در نظر گرفته شده، میتواند به بروز شرایط خطرناک منجر شود.
- دستتها و سطوح عایق را همواره خشک، تمیز و عاری از روغن و گریس نگه دارید. دسته های لغزنده مانع ایمنی و کنترل در کار در شرایط غیر منتظره هستند.
- مراقبت و طرز استفاده از ابزارهای شارژی
- باتریها را منحصراً توسط شارژرهایی که توسط سازنده توصیه شدهاند، شارژ کنید. در صورتی که برای شارژ باتری، آنرا در شارژری قرار دهید که برای آن باتری ساخته نشده است، خطر آتش سوزی وجود دارد.
- در ابزارهای برقی فقط از باتریهایی استفاده کنید که برای آن نوع ابزار برقی در نظر گرفته شدهاند. استفاده از باتریهای مترقیه میتواند منجر به بروز جراحت و حریق گردد.
- در صورت عدم استفاده از باتری باید آنرا از گیره های فلزی، سکه، کلید، میخ، پیچ و دیگر وسائل کوچک فلزی دور نگه دارید، زیرا این وسائل ممکن است باعث ایجاد اتصالی

برق‌گرفتگی، سوختگی و یا سایر جراحات های شدید شود.
به تصویرهای واقع در بخشهای اول دفترچه راهنما توجه کنید.

موارد استفاده از دستگاه

این ابزار برقی برای انجام عملیات پیچکاری (بستن و باز کردن) پیچ ها و همچنین برای بستن و باز کردن مهره ها در خصوص دامنه اندازه های قید شده مناسب است.

اجزاء دستگاه

شماره گذاری تصاویر اجزاء دستگاه بر اساس شکل ابزار برقی در صفحه تصاویر است.

- (1) ابزارگیر
- (2) بوش قفل کننده
- (3) کلید انتخاب سرعت
- (4) نگهدارنده برای بند رکابی حمل و نقل دستگاه
- (5) دکمه آزادسازی باتری قابل شارژ
- (6) باتری قابل شارژ
- (7) کلید تغییر جهت چرخش
- (8) کلید روشن/خاموش
- (9) چراغ "PowerLight"
- (10) دسته (دارای روکش عایق)
- (11) سر پیچ گوشتی دوسر^a
- (12) نگهدارنده عمومی مته^a
- (13) سر پیچ گوشتی^a
- (14) ابزار مورد استفاده (برای مثال سربکس)^a

(a) کلیه متعلقاتی که در تصویر و یا در متن آمده است، بطور معمول همراه دستگاه ارائه نمیشود. لیست کامل متعلقات را در برنامه متعلقات ما می یابید.

- ◀ **قطعه کار را محکم کنید.** در صورتیکه قطعه کار به وسیله تجهیزات نگهدارنده و یا بوسیله گیره محکم شده باشد، قطعه کار مطمئن تر نگه داشته میشود، تا اینکه بوسیله دست نگهداشته شود.
- ◀ **قبل از کنار گذاشتن ابزار برقی صبر کنید تا دستگاه بطور کامل از کار و حرکت بایستد.** ابزار ممکن است به قطعه کار گیر کرده و کنترل ابزار برقی از دست شما خارج شود.
- ◀ **در صورتیکه باتری آسیب دیده باشد و یا از آن بطور بی رویه استفاده شود، ممکن است از باتری بخارهایی بلند شود. باتری ممکن است آتش بگیرد یا منفجر شود.** در این حالت هوای محیط را تازه کنید؛ اگر احساس ناراحتی کردید، به پزشک مراجعه نمایید. استنشاق این بخارها ممکن است به مجاری تنفسی شما آسیب برساند.
- ◀ **باتری را باز نکنید.** خطر اتصال کوتاه وجود دارد.
- ◀ **بوسیله ی اشیاء تیز مانند میخ یا پیچگوشتی یا تأثیر نیروی خارجی ممکن است باتری آسیب ببیند.** ممکن است اتصالی داخلی رخ دهد و باتری آتش گیرد، دود کند، منفجر شود یا بیش از حد داغ گردد.
- ◀ **از باتری قابل شارژ فقط در محصولات سازنده استفاده کنید.** فقط در این صورت از باتری در برابر بار اضافی خطرناک محافظت می شود.
- باتری را در برابر حرارت، از جمله در برابر تابش مداوم خورشید و همچنین در برابر آتش، آلودگی، آب و رطوبت محفوظ بدارید. خطر اتصالی و انفجار وجود دارد.



توضیحات محصول و کارکرد

همه دستورات ایمنی و راهنماییها را بخوانید. اشتباهات ناشی از عدم رعایت این دستورات ایمنی ممکن است باعث



مشخصات فنی

پیچ گوشتی ضربه ای شارژی			
GDS 120-LI	GDR 120-LI		
3 601 JF0 1..	3 601 JF0 0..		
12	12		
	V=		
	سرعت در حالت آزاد ^a		
0-1300	0-1300	min ⁻¹	- تنظیم 1
0-2600	0-2600	min ⁻¹	- تنظیم 2
			تعداد ضربه ^a
0-1500	0-1500	min ⁻¹	- تنظیم 1
0-2700	0-2700	min ⁻¹	- تنظیم 2
105	100	Nm	حداکثر گشتاور ^a پیچ کاری سخت طبق استاندارد ISO 5393
M4-M12	M4-M12	mm	قطر پیچ کاری صنعتی
8	8	mm	حداکثر قطر پیچ ها
3/8" ■	آچار آلن ¼"		ابزارگیر

پیچ گوهی ضربه ای شارژی			
GDS 120-LI	GDR 120-LI	kg	وزن مطابق استاندارد EPTA- Procedure 01:2014
1,1	1,1	°C	دمای توصیه شده محیط هنگام شارژ
0 ... +35	0 ... +35	°C	دمای مجاز محیط هنگام کار ^(B) و هنگام انبار کردن
-20 ... +50	-20 ... +50		باتری های قابل شارژ توصیه شده
GBA 12V ...	GBA 12V ...		شارژرهای توصیه شده
GAL 12 ...	GAL 12 ...		
GAX 18 ...	GAX 18 ...		

(A) اندازه گیری شده در دمای °C 20-25 با باتری قابل شارژ **GBA 12V 2.0 Ah**.

(B) توان محدود برای دمای °C < 0

مقادیر ممکن است بسته به محصول متفاوت باشند و بستگی به شرایط استفاده و محیطی دارند. اطلاعات بیشتر را در سایت www.bosch-professional.com/wac مشاهده نمایید.

همچنین به هنگام حمل و نقل و یا در انبار نگهداری کردن، باتری را از داخل ابزار برقی خارج کنید. در صورت تماس اتفاقی با کلید قطع و وصل، خطر آسیب دیدگی وجود دارد.

GDR 120-LI

قرار دادن ابزار (رجوع کنید به تصویر B)
آداپتور قفلکننده (2) را به جلو برانید، ابزار را تا انتها در ابزارگیر (1) برانید و بوش قفلکننده (2) را دوباره رها کنید تا ابزار قفل شود.
سربکسها (13) را می توانید توسط یک نگهدارنده ی یونیورسال با کوپل بلبرینگ (12) جا بزنید.

برداشتن ابزار از روی دستگاه

آداپتور قفل (2) را به جلو برانید و ابزار را از ابزارگیر بردارید.

GDS 120-LI: (رجوع کنید به تصویر C)

هنگام قرار دادن ابزار دقت کنید که ابزار، مطمئن در ابزارگیر قرار گیرد. چنانچه ابزار درست در ابزارگیر قرار نگیرد، می تواند هنگام پیچکاری شل شود.

ابزار (14) را در چهار لبه ابزارگیر (1) برانید. بنابر دلایل سیستمی، ابزار (14) با کمی حرکت آزادانه در ابزارگیر (1) قرار می گیرد؛ این تأثیری روی عملکرد/ایمنی ندارد.

طرز کار با دستگاه

طرز کار

ابزارگیر (1) به همراه ابزار بوسیله یک موتور الکتریکی روی گیربکس و بخش ضربه زننده سوار است.

مراحل کاری به دو فاز تقسیم می شوند: **پیچکاری و سفت کردن** (بخش ضربهزننده فعال است). مکانیزم ضربه هنگامی فعال میشود که اتصال پیچ محکم شده و بنا براین بر روی موتور فشار وارد میشود. مکانیزم ضربه در این حال، نیروی موتور را به ضربه های (چرخشی) یکنواخت تبدیل میکند. برای بازکردن پیچ ها و مهره ها این جریان بطور معکوس صورت میگیرد.

نصب

◀ **قبل از انجام هر گونه کاری با ابزار برقی (از جمله سرویس، تعویض ابزار و غیره) و همچنین به هنگام حمل و نقل و یا در انبار نگهداری کردن، باتری را از داخل ابزار برقی خارج کنید.** در صورت تماس اتفاقی با کلید قطع و وصل، خطر آسیب دیدگی وجود دارد.

نحوه شارژ کردن باتری

◀ **تنها شارژرهای ذکر شده در مشخصات فنی را بکار برید.** تنها این دستگاه های شارژ با باتری های لیتیوم-یونی (Li-Ion) ابزار برقی شما منطبق میباشد.

نکته: باتری با شارژ نسبی ارسال می شود. برای دست یافتن به توان کامل باتری، قبل از بکار گیری آن برای اولین بار باید شارژ باتری بطور کامل در دستگاه شارژ تکمیل شود.

باتری های لیتیوم-یونی (Li-Ion) را میتوان همه وقت شارژ نمود، بدون اینکه از طول عمر آن کاسته شود. قطع کردن جریان شارژ آسیبی به باتری نمیرساند.

باتری های لیتیوم-یونی دارای سیستم حفاظت الکترونیکی "Electronic Cell Protection (ECP)" بوده و در برابر خالی شدن حفاظت می شوند. اگر باتری خالی شود، ابزار برقی از طریق کلید حفاظتی بطور اتوماتیک خاموش میشود و دستگاه دیگر حرکت نمیکند.

◀ **پس از خاموش شدن اتوماتیک ابزار برقی، از فشار دادن مجدد کلید قطع و وصل خودداری کنید.** این میتواند باعث آسیب دیدن باتری شود.

برداشتن باتری (رجوع کنید به تصویر A)

برای برداشتن و خارج کردن باتری (6)، نخست دکمه آزاد کننده قفل باتری (5) را فشار دهید و با کشیدن باتری بطرف پایین آنرا از داخل ابزار برقی خارج کنید. **برای این کار از اِعمال فشار خودداری کنید.**

تعویض ابزار

◀ **قبل از انجام هر گونه کاری با ابزار برقی (از جمله سرویس، تعویض ابزار و غیره) و**

راه اندازی و نحوه کاربرد دستگاه

جاگذاری باتری

کلید انتخاب جهت چرخش (7) را به وسط برانید تا از روشن شدن ناخواسته جلوگیری کنید. باتری شارژ شده (6) را در دستگیره قرار دهید تا به طور محسوس جا بیفتد و همسطح با دستگیره شود.

نحوه تنظیم جهت چرخش (رجوع کنید به تصویر D)

توسط دکمه تحویض جهت چرخش (7) می توان جهت چرخش ابزار برقی را تغییر داد. هنگامی که کلید قطع و وصل (8) فشرده شده است، این امر ممکن نیست.

گردش به راست: برای چرخاندن و پیچاندن و نیز سفت کردن مهرهها، کلید تغییر جهت چرخش (7) را تا انتها به چپ فشار دهید.

گردش به چپ: برای چرخاندن و پیچاندن و نیز سفت کردن مهرهها، کلید تغییر جهت چرخش (7) را تا انتها به راست فشار دهید.

انتخاب مکانیکی دنده

← کلید تغییر جهت چرخش (3) را هنگام متوقف بودن دستگاه فعال کنید.

با کلید انتخاب دنده (3) می توان 2 محدوده سرعت را از پیش تنظیم کرد.

دنده A:

محدوده سرعت کم برای پیچ کردن و یا کار با مته قطور برای سوراخهای بزرگ.

دنده B:

محدوده سرعت بالا، برای کار با مته های کم قطر. چنانچه کلید انتخاب دنده (3) تا انتها رانده نمیشود، شفت را توسط مته کمی بچرخانید.

نحوه روشن و خاموش کردن

برای **راه اندازی** ابزار برقی، کلید قطع و وصل (8) را فشار داده و آنرا در حالت فشرده نگهدارید.

چراغ (9) هنگام کم فشرده بودن کلید قطع و وصل (8) روشن میشود و محیط کار را در صورت عدم وجود شرایط مناسب نور، روشن می کند.

برای **خاموش کردن** ابزار برقی، کلید قطع و وصل (8) را رها کنید.

تنظیم سرعت (دور موتور)

سرعت ابزار برقی را می توان با فشردن دلخواه کلید قطع و وصل (8) تنظیم کرد.

فشار کم روی کلید قطع و وصل (8) سرعت کاهش مییابد. افزایش فشار بر روی کلید قطع و وصل باعث افزایش سرعت میشود.

کلاج ایمنی وابسته به دما

در صورت استفاده ی اصولی فشاری به ابزار برقی وارد نمی شود. در صورت فشار زیاد یا تجاوز از

مقادیر برای بیشترین گشتاور پیچکاری و سفتکاری

واحد مقادیر بر حسب (نیوتون متر) است و بر حسب مقطع برش و تنش، استفاده از حد کشش 90 % محاسبه شده است. (ضریب اصطکاک $\mu = 0,12$). جهت کنترل باید همواره گشتاور مهار بوسیله یک گشتاور سنخ (آچار ترک) سنجیده شود.

دمای مجاز باتری، الکترونیک ابزار خاموش می شود تا دما دوباره به محدوده کاری برسد.

راهنمایهای عملی

← **ابزار برقی را تنها در حالت خاموش روی پیچ و یا مهره قرار دهید.** امکان لغزش ابزار در حال چرخش وجود دارد.

میزان گشتاور به مدت ضربه بستگی دارد. حداکثر گشتاور حاصله، نتیجه مجموع همه گشتاورهای منفردی است که در اثر ضربه بدست آمده است. بیشترین گشتاور پس از طول مدت ضربه 6-10 ثانیه بدست می آید. بعد از این مدت، گشتاور مهار فقط به اندازه کمی افزایش پیدا میکند.

مدت ایجاد ضربه را برای هر گشتاور مهار باید بدست آورد. میزان واقعی گشتاور ممکن می باشد. شیب منحنی یک گشتاور سنخ (آچار ترک) بدست آورد و کنترل نمود.

پیچکاری با اتصال فنری، نرم یا سخت

در صورتیکه در یک آزمایش، گشتاورهای ایجاد شده طی یک سری ضربه اندازه گیری شده و در یک دیاگرام وارد شوند، یک منحنی برای پیشرفت گشتاورها بدست می آوریم. ارتفاع منحنی نشان دهنده حداکثر گشتاور ممکن می باشد. شیب منحنی نشان دهنده این است که این گشتاور در چه مدت زمانی بدست آمده است.

پیشرفت گشتاور به این عوامل بستگی دارد:

- استحکام پیچ ها و مهره ها
- نوع صفحه پایه (قطعه کار) زیر پیچ یا مهره (واشر، فنر تخت، واشر آب بندی)
- استحکام قطعه پیچ شده (قطعه کار)
- میزان روغن کاری در محل اتصال پیچ

بر حسب موارد فوق، امکانات کاربردی ذیل وجود دارند:

- **اتصال سخت** برای انجام پیچکاری قطعه فلزی بر روی فلز، تحت استفاده از واشر میباشد. بعد از مدت کوتاهی ضربه حداکثر میزان گشتاور بدست می آید (شیب تند منحنی). وارد کردن ضربه های غیر ضروری طولانی مدت تنها باعث آسیب دیدن دستگاه میشود.

- **اتصال فنری** برای انجام پیچکاری قطعه فلزی بر روی فلز، ولیکن تحت استفاده از واشرهای فنری، فنر تخت، گل میخ و یا پیچ ها و مهره هایی با بست مخروطی و همچنین برای استفاده از قطعات الحاقی میباشد.

- **اتصال نرم** برای انجام پیچکاری بطور مثال فلز روی چوب و یا استفاده از واشرهای سری و فیبری میباشد.

برای اتصال فنری و یا اتصال نرم، حداکثر گشتاور مهار کمتر از میزان گشتاور مهار برای اتصال سخت است. به همین نسبت مدت بیشتری برای ایجاد ضربه نیز لازم است.

پیچ های کاملاً محکم		پیچ های استاندارد										پایه استمکام طبق استاندارد DIN 267
12.9	10.9	8.8	6.9	6.8	5.8	6.6	4.8	5.6	4.6	3.6		
16.2	13.6	9.7	8.13	7.22	6.02	5.42	4.8	4.52	3.61	2.71	M6	
39	33	23	19.7	17.5	14.6	13.1	11.6	11	8.7	6.57	M8	
78	65	47	39	35	29	26	23	22	17.5	13	M10	
135	113	80	67	60	50	45	40	37.6	30	22.6	M12	
215	180	130	107	95	79	72	65	60	48	36	M14	
330	275	196	165	147	122	110	98	92	73	55	M16	

سوالات شما درباره محصولات و متعلقات پاسخ می دهند.

برای هرگونه سؤال و یا سفارش قطعات یدکی، حتماً شماره فنی 10 رقمی کالا را مطابق برچسب روی ابزار برقی اطلاع دهید.

ایران

روبرت بوش ایران - شرکت بوش تجارت پارس
میدان ونک، خیابان شهید خدای، خیابان آفتاب
ساختمان مادیران، شماره 3، طبقه سوم.
تهران 1994834571
تلفن: 9821+ 42039000

آدرس سایر دفاتر خدماتی را در ادامه بیابید:
www.bosch-pt.com/serviceaddresses

حمل دستگاه

باتری های لیتیوم یونی توصیه شده، مشمول الزامات قانون کالاهای خطرناک هستند. کاربر می تواند باتری ها را بدون استفاده از روکش در خیابان حمل کند.

در صورت ارسال توسط شخص ثالث (مانند: حمل و نقل هوایی یا زمینی) باید تمهیدات مربوط به بسته بندی و علامتگذاری مورد توجه قرار گیرد. در اینصورت باید حتما جهت آماده سازی قطعه ارسالی به کارشناس حمل کالاهای پر خطر مراجعه کرد. پاتریها را فقط در صورتی ارسال کنید که بدنه آنها آسیب ندیده باشد. اتصالات (کنتاکتهای) باز را بپوشانید و باتری را طوری بسته بندی کنید که در بسته بندی تکان نخورد. در این باره لطفاً به مقررات و آیین نامه های ملی توجه کنید.

از رده خارج کردن دستگاه

ابزارهای برقی، باتری ها، متعلقات و بسته بندی ها، باید طبق مقررات حفظ محیط زیست از رده خارج و بازیافت شوند.

ابزار برقی و باتری ها/ باتری های قابل شارژ را داخل زباله دان خانگی نیندازید!



باتریهای شارژی/قلمی: لیتیوم-یونی:

لطفاً به تذکرات بخش (رجوع کنید به «حمل دستگاه»، صفحه 74) توجه کنید.

پیشنهادهای مفید

پیش از پیچ کردن پیچ های بزرگ و بلند داخل قطعات سخت، باید نخست يك سوراخ به قطر مغزی رزوه پیچ و به اندازه 2/3 طول پیچ داخل قطعه کار ایجاد کنید.

لطفاً توجه داشته باشید که ذرات و قطعات کوچک فلزی به داخل ابزار برقی نفوذ پیدا نکنند.

راهنمایی برای نحوه کار بهینه با باتری

باتری را در برابر رطوبت و آب حفظ کنید. باتری را منحصراً در دمای بین 20- تا 50 درجه نگهداری کنید. بطور مثال باتری را در تابستان داخل اتومبیل نگذارید.

گاهبگاه شیارهای تهویه باتری را بوسیله یک قلم موی یا برس کوچک نرم و خشک تمیز کنید.

افت قابل توجه مدت زمان کارکرد باتری که تازه شارژ شده است، نمایانگر آن است که باتری فرسوده و مستعمل شده و باید تعویض شود.

به نکات مربوط به نحوه از رده خارج کردن باتری توجه کنید.

مراقبت و سرویس

مراقبت، تعمیر و تمیز کردن دستگاه

◀ **شیارهای تهویه ابزار برقی خود را مرتب تمیز کنید.** گرد و غباری که از طریق پروانه موتور به داخل محفظه وارد شود و یا تجمع زیاد براده فلز در آن ممکن است سوانع و خطرات الکتریکی را منجر گردد.

◀ **قبل از انجام هر گونه کاری با ابزار برقی (از جمله سرویس، تعویض ابزار و غیره) و همچنین به هنگام حمل و نقل و یا در انبار نگهداری کردن، باتری را از داخل ابزار برقی خارج کنید.** در صورت تماس اتفاقی با کلید قطع و وصل، خطر آسیب دیدگی وجود دارد.

◀ **ابزار الکتریکی و شیارهای تهویه آنرا تمیز نگاه دارید، تا ایمنی شما در کار تضمین گردد.**

خدمات و مشاوره با مشتریان

خدمات مشتری، به سئوالات شما درباره تعمیرات، سرویس و همچنین قطعات یدکی پاسخ خواهد داد. نقشه های سه بعدی و اطلاعات مربوط به قطعات یدکی را در تارنمای زیر میابید:

www.bosch-pt.com

گروه مشاوره به مشتریان Bosch با کمال میل به

