



GHG Professional HEAVY DUTY

16-50 | 18-60



Robert Bosch Power Tools GmbH
70538 Stuttgart
GERMANY

www.bosch-pt.com

1 609 92A 739 (2021.10) T / 50



1 609 92A 739

- en Original instructions
- fr Notice originale
- pt Manual original
- es Manual original
- pt Manual de instruções original
- zh 正本使用说明书
- zh 原始使用說明書
- th หนังสือคู่มือการใช้งานฉบับต้นแบบ
- id Petunjuk-Petunjuk untuk Penggunaan Orisinal
- vi Bản gốc hướng dẫn sử dụng
- ar دليل التشغيل الأصلي
- fa دفترچه راهنمای اصلی

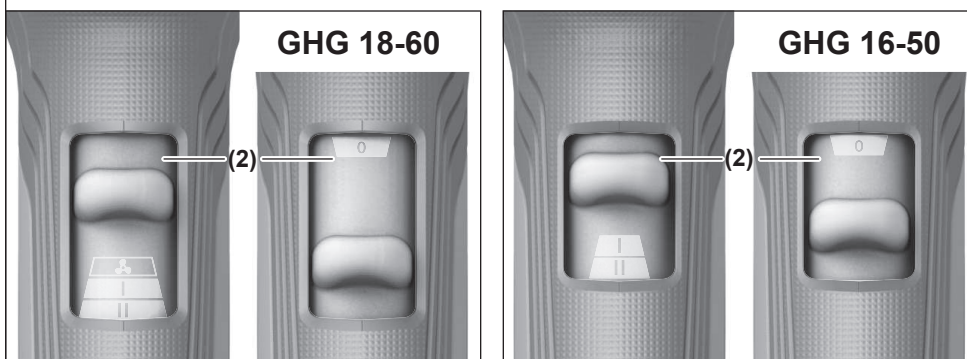
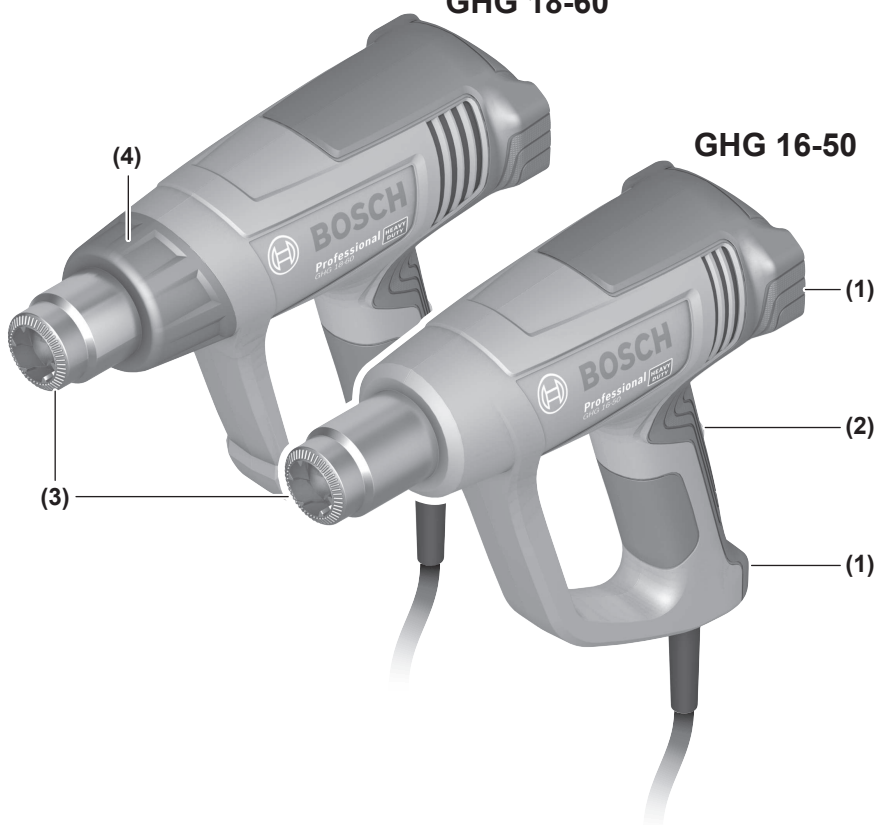


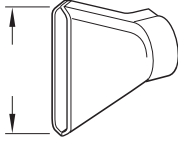
English	Page	6
Français	Page	9
Português	Página	13
Español	Página	17
Português do Brasil	Página	21
中文	页	24
繁體中文	頁	28
ไทย	หน้า	31
Bahasa Indonesia	Halaman	35
Tiếng Việt	Trang	38
عربي	الصفحة	43
فارسی	صفحه	47



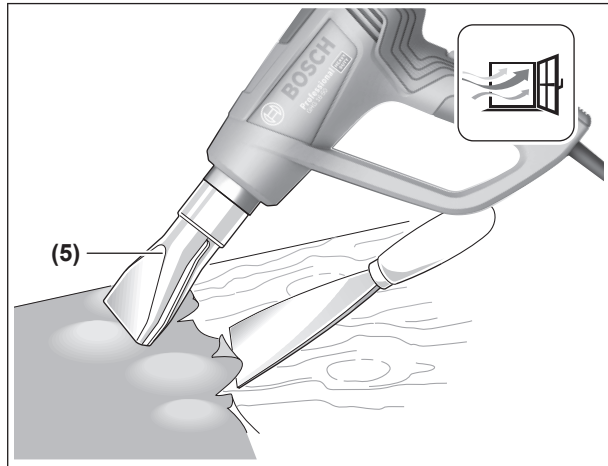
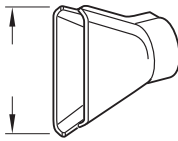
GHG 18-60

GHG 16-50

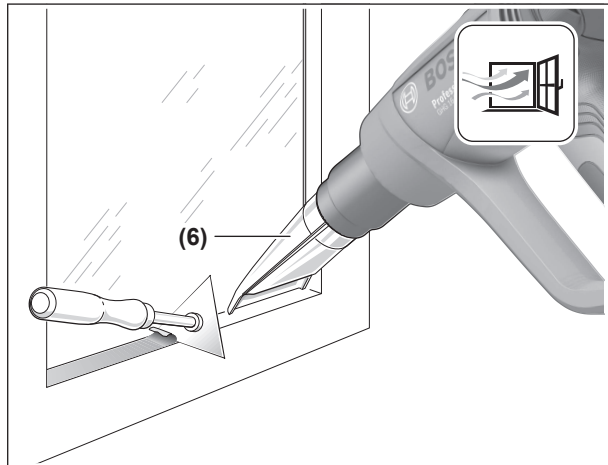
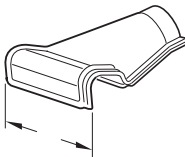


A

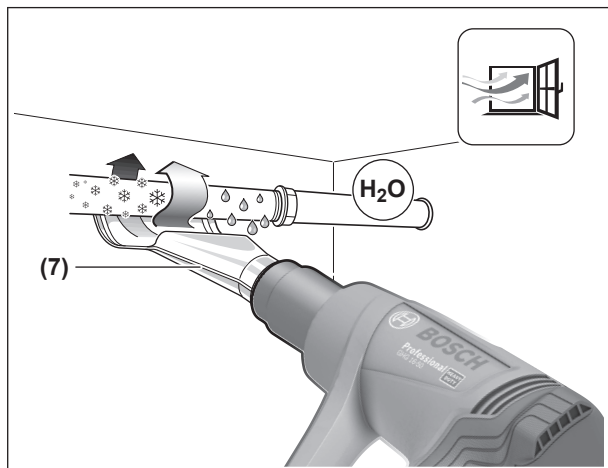
75 mm 1 609 390 451
50 mm 1 609 201 795

**B**

75 mm 1 609 390 452
50 mm 1 609 201 796

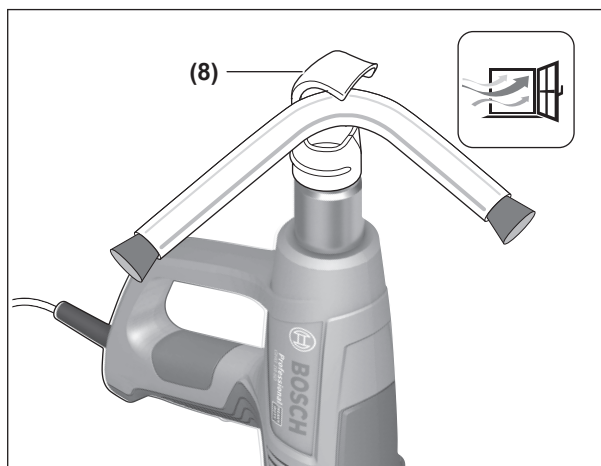
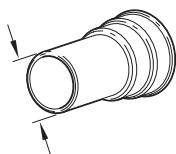
**C**

80 mm 1 609 201 751

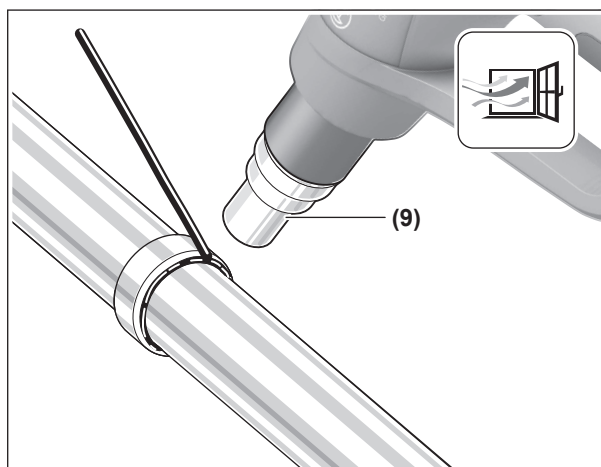


D

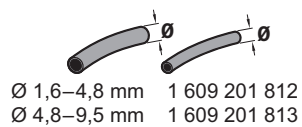
32 mm 1 609 390 453

**E**

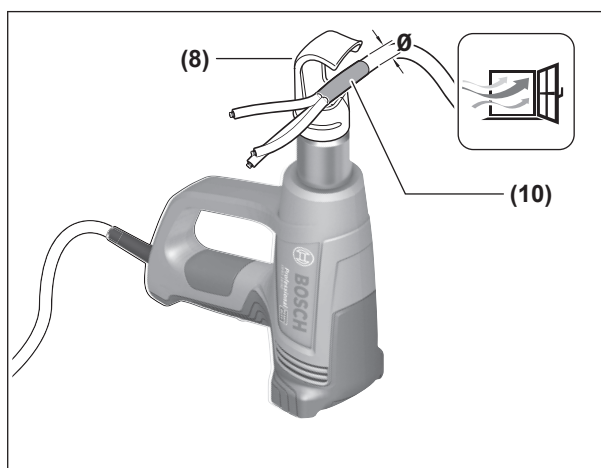
Ø 20 mm 1 609 201 648

**F**

32 mm 1 609 390 453



Ø 1,6–4,8 mm 1 609 201 812
Ø 4,8–9,5 mm 1 609 201 813



English

Safety instructions



Read all the safety information and instructions. Failure to observe the safety information and follow instructions may result in electric shock, fire and/or serious injury.

Save all warnings and instructions for future reference.

- ▶ **This heat gun is not intended for use by children or persons with physical, sensory or mental limitations or a lack of experience or knowledge. This heat gun can be used by children aged 8 or older and by persons who have physical, sensory or mental limitations or a lack of experience or knowledge if a person responsible for their safety supervises them or has instructed them in the safe operation of the heat gun and they understand the associated dangers.**

Otherwise there is a risk of operating errors and injury.

- ▶ **Supervise children during use, cleaning and maintenance.** This will ensure that children do not play with the heat gun.
- ▶ **Handle the heat gun with care.** The heat gun produces intense heat which increases the risk of fire and explosion.
- ▶ **Take particular care when working in the vicinity of flammable materials.** The hot airflow or hot nozzle may ignite dust or gases.
- ▶ **Do not work with the heat gun in potentially explosive areas.**
- ▶ **Do not aim the hot airflow at the same area for prolonged periods.** Working with plastic, paint, varnish or similar materials may produce easily flammable gases.

- ▶ **Please be aware that heat is directed to covered flammable materials, which may ignite.**
- ▶ **Safely place the heat gun on the storage surfaces after use and let it cool completely before packing it away.** The hot nozzle can cause damage.
- ▶ **Do not let children use the heat gun unsupervised when it is switched on.**
- ▶ **Store idle heat guns out of the reach of children. Do not allow persons unfamiliar with the heat gun or these instructions to operate the tool.** Heat guns can be dangerous in the hands of untrained users.
- ▶ **Do not expose the heat gun to rain or wet conditions.** Water entering a heat gun increases the risk of electric shock.
- ▶ **Do not misuse the cable, for example by using it to carry, hang up or unplug the heat gun.** Keep the cable away from heat and oil. Damaged or entangled cords increase the risk of electric shock.
- ▶ **Always wear safety goggles.** Safety goggles reduce the risk of injury.
- ▶ **Pull the plug out of the socket before adjusting the tool settings, changing accessories, or storing the heat gun.** This safety measure prevents the heat gun from being started accidentally.
- ▶ **Always check the heat gun, cable and plug before use. Stop using the heat gun if you discover any damage. Do not open the heat gun yourself, and have it repaired only by a qualified specialist using only original replacement parts.** Damaged heat guns, cables and plugs increase the risk of electric shock.



Keep your work area well-ventilated. The gas and steam produced during work are often harmful to one's health.

- ▶ **Wear protective gloves and do not touch the nozzle while it is hot.** There is a risk of burns.
- ▶ **Do not direct the airflow at persons or animals.**
- ▶ **Do not use the heat gun as a hair dryer.** The outgoing airflow is considerably hotter than that of a hair dryer.
- ▶ **Do not allow foreign objects to enter the heat gun.**
- ▶ **The distance between the nozzle and the workpiece depends on the material you are working on (metal, plastic, etc.) and the intended working method.** Always test the amount of air and temperature first.
- ▶ **If operating the heat gun in a damp environment is unavoidable, use a residual current device (RCD).** Use of an RCD reduces the risk of electric shock.
- ▶ **Never use the heat gun if the cable is damaged. Do not touch the damaged cable and pull out the mains plug if the cable is damaged while working.** Damaged cables increase the risk of an electric shock.

Products sold in GB only:

Your product is fitted with an BS 1363/A approved electric plug with internal fuse (ASTA approved to BS 1362).

If the plug is not suitable for your socket outlets, it should be cut off and an appropriate plug fitted in its place by an authorised customer service agent. The replacement plug should have the same fuse rating as the original plug. The severed plug must be disposed of to avoid a possible shock hazard and should never be inserted into a mains socket elsewhere.

Product Description and Specifications

Please observe the illustrations at the beginning of this operating manual.

Intended Use

The heat gun is intended for deforming and welding plastic, removing coats of paint and heating heat shrink plastic tubes. It is also suitable for soldering and tinning, melting adhesive bonding and thawing water pipes.

The heat gun is intended for handheld, supervised use.

Product Features

The numbering of the product features refers to the representation of the heat gun on the graphics page.

- (1) Storage surface
- (2) On/off switch and power settings
- (3) Nozzle
- (4) Heat shield, removable
- (5) Surface nozzle^{a)}
- (6) Glass protection nozzle^{a)}
- (7) Angle nozzle^{a)}
- (8) Reflector nozzle^{a)}
- (9) Reducing nozzle^{a)}
- (10) Heat shrink plastic tube^{a)}

a) **Accessories shown or described are not included with the product as standard. You can find the complete selection of accessories in our accessories range.**

Technical Data

Heat gun		GHG 16-50	GHG 18-60
Article number		3 601 BA6 0..	3 601 BA6 1..
Rated power input	W	1600	1800
Airflow	l/min	240/450	200 ^{A)} /350 ^{A)} /500
Temperature at the nozzle outlet ^{B)}	°C	300/500	50 ^{A)} /300 ^{A)} /600
Temperature measurement accuracy		±10 %	±10 %
Weight according to EPTA-Procedure 01:2014	kg	0.52	0.52
Protection class		□/II	□/II

A) The amount of air increases when the temperature rises from 50 °C to 300 °C. The speed of the fan is identical at both power settings.

B) At an ambient temperature of 20 °C

The specifications apply to a rated voltage [U] of 230 V. These specifications may vary at different voltages and in country-specific models.

Noise/vibration information

Typically, the A-weighted sound pressure level of the heat gun is less than **70 dB(A)**.

Vibration total values a_h (triax vector sum) and uncertainty K: $a_h < 2.5 \text{ m/s}^2$, $K = 1.5 \text{ m/s}^2$.

Operation

Starting operation

Creation of Smoke During Initial Use

A coating protects the metal surfaces from corrosion ex-works. This protective layer evaporates during initial use. The heat gun may display discolourations on the nozzle (3) due to the production process. These do not count as damage; the functioning of the heat gun is not affected.

Switching On

Slide the on/off switch (2) upwards.

Switching Off

Slide the on/off switch (2) downwards into the 0 position.

► **GHG 18-60: After working at high temperatures for a prolonged period, let the power tool cool down by briefly running it at the 50 °C (cooling stage) power setting before switching it off.**




Selecting the power setting (GHG 16-50)

You can choose between different power settings using the on/off switch (2):

GHG 16-50			
Setting	Power setting	°C	l/min
Working stage 1	I	300	240
Working stage 2	II	500	450

Selecting the power setting (GHG 18-60)

You can choose between different power settings using the on/off switch (2):

GHG 18-60			
Setting	Power setting	°C	l/min
Cooling stage		50	200
Working stage 1		300	350
Working stage 2		600	500

- ▶ **When changing from the cooling stage to working stage 1, the speed and therefore the operating sound of the gun do not change.**

The cooling stage is suitable for cooling down a heated workpiece or for drying paint. It is likewise suitable for cooling down the heat gun before turning off or replacing the attachment nozzles.

Practical advice

- ▶ **Pull the mains plug out of the plug socket before carrying out any work on the heat gun.**

Note: Do not position the nozzle (3) too close to the workpiece that you are using the power tool on. The resulting air blockage can lead to the heat gun overheating.

Removing the heat shield (GHG 18-60)

When working in particularly tight spaces, you can remove the heat shield (4) by turning it.

- ▶ **Caution: Nozzle is hot!** Working without the heat shield increases the risk of burns.

To remove or put on the heat shield (4), switch the heat gun off and let it cool down.

To cool down faster, you can also let the heat gun run briefly at the lowest temperature that can be set.

Turning off the heat gun

Put down the heat gun on the storage surfaces (1) to let it cool down, or to keep both hands free to work.

- ▶ **Be especially careful when working with the turned-off heat gun!** The heat from the nozzle or the air flow can cause burns.

Position the heat gun on an even, stable surface. Ensure that it cannot tip over. Secure the cable outside your work area so that it cannot knock down or pull down the heat gun.

Switch the heat gun off if not used for a sustained period of time, and disconnect from the mains.

Example applications (see figures A–F)

Images of example applications can be found on the graphics pages.

The distance between the nozzle and the workpiece depends on the material you are working on (metal, plastic etc.) and the intended working method.

The optimum temperature for each application can be determined by a practical test.

Always test the amount of air and temperature first. Start at a greater distance and a lower power setting. Then adjust the distance and power setting according to requirements.

If you are unsure what material you are working on or what effect the hot air might have on it, first test the effect on a concealed area.

All example applications apart from "Stripping paint from window frames" can be carried out without the use of accessories. However, using the recommended accessories will simplify the work and considerably increase the quality of the result.

- ▶ **Take care when changing the nozzle. Do not touch the nozzle while it is hot. Let the heat gun cool down and wear protective gloves during changeover.** The heat from the nozzle can cause burns.

Removing varnish/loosening adhesives (see figure A)

Fit the surface nozzle (5) (accessory). Briefly soften the varnish with hot air and remove it with a clean spatula. Long heat exposure burns the varnish and makes removal more difficult.

Many adhesives can be softened using heat. By heating adhesives, you can break connections or remove excess adhesive.

Stripping paint from window frames (see figure B)

- ▶ **The glass protection nozzle (6) (accessory) must be used for this application.** There is a risk that the glass may break.

You can remove the paint from profiled surfaces with a suitable spatula and brush it off with a soft wire brush.

Thawing frozen water pipes (see figure C)

- ▶ **Before applying heat to the pipe, check it is in fact a water pipe.** Water pipes and gas pipes often look identical from the outside. Gas pipes must under no circumstances be heated.

Fit the angle nozzle (7) (accessory). Gradually heat the frozen points of the pipe, starting at the outlet and moving back towards the inlet.

Take great care when warming plastic pipes and pipe connections to avoid causing damage.

Shaping plastic pipes (see figure D)

Fit the reflector nozzle (8) (accessory). Fill plastic pipes with sand and seal them on both sides to prevent the pipe bending. Carefully and evenly heat the pipe by moving the tool back and forth from one side to the other.

Soft Soldering (see figure E)

For spot welding, fit the reducing nozzle (9); for welding pipes, fit the reflector nozzle (8) (both accessories).

If you are using solder without flux, apply soldering grease or paste to the solder joint. Heat the solder joint and apply the solder. The solder must be melted by the temperature of the workpiece.

If necessary, remove the flux after the solder joint has cooled down.

Heat-shrinking (see figure F)

Fit the reflector nozzle (8) (accessory). Choose the diameter of the heat shrink plastic tube (10) (accessory) suitable for

the workpiece. Evenly heat the heat shrink plastic tube until it fits closely against the workpiece.

Maintenance and Service

Maintenance and Cleaning

- ▶ **Pull the mains plug out of the plug socket before carrying out any work on the heat gun.**
- ▶ **Keep the heat gun and the ventilation slots clean in order to work safely and well.**

In order to avoid safety hazards, if the power supply cord needs to be replaced, this must be done by **Bosch** or by an after-sales service centre that is authorised to repair **Bosch** power tools.

After-Sales Service and Application Service

Our after-sales service responds to your questions concerning maintenance and repair of your product as well as spare parts. You can find explosion drawings and information on spare parts at: www.bosch-pt.com

The Bosch product use advice team will be happy to help you with any questions about our products and their accessories.

In all correspondence and spare parts orders, please always include the 10-digit article number given on the nameplate of the product.

Malaysia

Robert Bosch Sdn. Bhd. (220975-V) PT/SMY
No. 8A, Jalan 13/6
46200 Petaling Jaya
Selangor
Tel.: (03) 79663194
Toll-Free: 1800 880188
Fax: (03) 79583838
E-Mail: kiathoe.chong@my.bosch.com
www.bosch-pt.com.my

You can find further service addresses at:

www.bosch-pt.com/serviceaddresses

Disposal

The heat gun, accessories and packaging should be sorted for environmentally friendly recycling.



Do not throw heat guns in the household waste!

Français

Consignes de sécurité



Lisez attentivement toutes les instructions et consignes de sécurité. Le non-respect des instructions et consignes de sécurité peut provoquer un choc électrique, un incendie et/ou entraîner de graves blessures.

Conservez tous les avertissements et toutes les instructions pour pouvoir s'y reporter ultérieurement.

- ▶ **Ce décapeur thermique n'est pas prévu pour être utilisé par des enfants ni par des personnes souffrant d'un handicap physique, sensoriel ou mental ou manquant d'expérience ou de connaissances. Ce décapeur thermique peut être utilisé par des enfants (âgés d'au moins 8 ans) et par des personnes souffrant d'un handicap physique, sensoriel ou mental ou manquant d'expérience ou de connaissances, à condition qu'ils soient sous la surveillance d'une personne responsable de leur sécurité ou après avoir reçu des instructions sur la façon d'utiliser le décapeur thermique en toute sécurité et après avoir bien compris les dangers inhérents à son utilisation.** Il y a si non risque de blessures et d'utilisation inappropriée.
- ▶ **Ne laissez pas les enfants sans surveillance lors de l'utilisation, du nettoyage et de l'entretien.** Faites en sorte que les enfants ne jouent pas avec le décapeur thermique.
- ▶ **Maniez le décapeur thermique avec précaution.** Le décapeur ther-

mique génère des températures élevées susceptibles de provoquer des incendies ou des explosions.

- ▶ **Soyez extrêmement vigilant lors d'une utilisation à proximité de matériaux inflammables.** L'air chaud et la buse brûlante peuvent enflammer de la poussière ou des gaz.
- ▶ **N'utilisez pas le décapeur thermique dans un environnement potentiellement explosif.**
- ▶ **Ne dirigez pas l'air chaud sur un même endroit pendant une durée prolongée.** Lors d'une utilisation sur des matières plastiques, des peintures, des laques ou d'autres matériaux similaires, des gaz facilement inflammables pourraient être générés.
- ▶ **Ayez à l'esprit que la chaleur peut se propager vers des matériaux inflammables cachés et les enflammer.**
- ▶ **Après son utilisation, posez le décapeur thermique sur un support stable et laissez-le refroidir complètement avant de le ranger.** La buse chaude peut causer des dommages.
- ▶ **Ne laissez pas le décapeur thermique sans surveillance quand il est en marche.**
- ▶ **Conservez le décapeur thermique hors de portée des enfants quand il n'est pas utilisé. Veillez à ce que le décapeur thermique ne soit pas utilisé par des personnes non familiarisées avec son fonctionnement ou qui n'ont pas lu la présente notice.** Les décapeurs thermiques sont dangereux lorsqu'ils sont utilisés par des personnes non initiées.
- ▶ **N'exposez pas le décapeur thermique à la pluie ou à l'humidité.** La pénétration d'eau à l'intérieur d'un décapeur thermique accroît le risque de choc électrique.
- ▶ **Ne maltraitez pas le câble d'alimentation. Ne vous en servez pas pour porter, accrocher le décapeur thermique et ne tirez pas dessus pour débrancher le décapeur de la prise secteur.** N'exposez pas le câble à la chaleur et veillez à ce qu'il n'entre pas en contact avec de l'huile. Un câble endommagé ou emmêlé accroît le risque de choc électrique.
- ▶ **Portez toujours des lunettes de protection.** Des lunettes de protection réduisent le risque de blessures.
- ▶ **Débranchez le connecteur de la prise avant tout réglage, changement d'accessoire ou avant de ranger le décapeur thermique.** Cette mesure de précaution réduit le risque de mise en marche accidentel du décapeur thermique.
- ▶ **Vérifiez l'état du décapeur thermique, de son câble et de son connecteur avant chaque utilisation. N'utilisez plus le décapeur thermique si vous constatez des dommages. N'ouvrez pas le décapeur thermique vous-même. Ne confiez sa réparation qu'à un réparateur qualifié utilisant uniquement des pièces de rechange d'origine.** Le risque de choc électrique est élevé quand le décapeur thermique, le câble ou le connecteur sont endommagés.



Aérez bien le poste de travail. Les gaz et vapeurs générés en cours d'utilisation sont souvent nuisibles à la santé.

- ▶ **Portez des gants de protection et ne touchez pas la buse chaude.** Il y a risque de brûlure.
- ▶ **Ne dirigez pas l'air chaud vers des personnes ou des animaux.**
- ▶ **N'utilisez en aucun cas le décapeur thermique comme un sèche-cheveux.** L'air qui sort est beaucoup plus chaud que celui d'un sèche-cheveux.
- ▶ **Veillez à ce qu'aucun corps étranger ne pénètre dans le décapeur thermique.**
- ▶ **La distance à respecter entre la buse et la pièce dépend de la nature du matériau (métal, plastique, etc.) et de la nature du travail à effectuer.** Commencez toujours par effectuer des tests pour bien choisir le débit d'air et la température.
- ▶ **Si l'utilisation du décapeur thermique dans un environnement humide ne peut pas être évitée, utilisez un disjoncteur différentiel.** L'utilisation d'un disjoncteur différentiel réduit le risque de choc électrique.
- ▶ **N'utilisez jamais le décapeur thermique si son câble est endommagé. Ne touchez pas le câble endommagé et débranchez aussitôt le câble de la prise au cas où celui-ci est endommagé pendant l'utilisation de l'outil.** Un câble endommagé accroît le risque de choc électrique.

Description des prestations et du produit

Référez-vous aux illustrations qui se trouvent au début de la notice d'utilisation.

Utilisation conforme

Le décapeur thermique est conçu pour les travaux de déformation et de soudage de matières plastiques, d'enlèvement de couches de peinture ainsi que pour le réchauffement de gaines thermorétractables. Il peut aussi être utilisé pour braser et étamer, défaire des liaisons collées et pour dégeler des canalisations d'eau.

Le décapeur thermique est destiné à une utilisation à main levée, sous surveillance.

Éléments constitutifs

La numérotation des éléments se réfère à la représentation du décapeur thermique sur la page graphique.

- (1) Surface d'appui
- (2) Interrupteur marche/arrêt et positions de température
- (3) Buse
- (4) Protection thermique, amovible
- (5) Buse plate^{a)}
- (6) Buse protège-vitre^{a)}

- (7) Buse coudée^{a)}
- (8) Buse à réflecteur^{a)}
- (9) Buse de réduction^{a)}

- (10) Gaine thermorétractable^{a)}
- a) **Les accessoires décrits ou illustrés ne sont pas tous compris dans la fourniture. Vous trouverez les accessoires complets dans notre gamme d'accessoires.**

Caractéristiques techniques

Décapeur thermique		GHG 16-50	GHG 18-60
Référence		3 601 BA6 0..	3 601 BA6 1..
Puissance absorbée nominale	W	1600	1800
Débit d'air	l/min	240/450	200 ^{A)} /350 ^{A)} /500
Température à l'extrémité de la buse ^{B)}	°C	300/500	50 ^{A)} /300 ^{A)} /600
Précision de mesure de la température		±10 %	±10 %
Poids selon EPTA-Procédure 01:2014	kg	0,52	0,52
Indice de protection		□/II	□/II

A) Le débit d'air augmente lorsque la température passe de 50 °C à 300 °C. La soufflerie tourne à la même vitesse dans les deux positions de température.

B) à une température ambiante de 20 °C

Les données indiquées sont valables pour une tension nominale [U] de 230 V. Elles peuvent varier lorsque la tension diffère de cette valeur et sur les versions destinées à certains pays.

Informations sur le niveau sonore / les vibrations

Le niveau de pression acoustique en dB(A) typique du décapeur thermique est inférieur à **70 dB(A)**.

Valeurs globales de vibration a_h (somme vectorielle sur les trois axes) et incertitude K :

$a_h < 2,5 \text{ m/s}^2$, $K = 1,5 \text{ m/s}^2$.

Utilisation

Mise en marche

Dégagement de fumée lors de la première utilisation

Un revêtement est appliqué en usine sur les surfaces métalliques pour les protéger de la corrosion. Cette couche de protection s'évapore lors de la première utilisation.

En raison du processus de fabrication, le décapeur thermique peut présenter une décoloration sur la buse (3). Il ne s'agit pas d'un dommage et cela n'affecte pas le fonctionnement du décapeur thermique.

Mise en marche

Poussez l'interrupteur marche/arrêt (2) vers le haut.



Arrêt

Poussez l'interrupteur marche/arrêt (2) vers le bas jusque dans la position 0.

- **GHG 18-60 : Après une utilisation prolongée à température élevée, faites fonctionner pendant une courte durée l'outil électroportatif dans la position 50 °C (position froid) pour qu'il refroidisse.**




Sélection de la position de température (GHG 16-50)

Plusieurs températures peuvent être réglées à l'aide de l'interrupteur Marche/Arrêt (2) :

GHG 16-50			
Position	Température	°C	l/min
Position de travail 1		300	240
Position de travail 2		500	450

Sélection de la position de température (GHG 18-60)

Plusieurs températures peuvent être réglées à l'aide de l'interrupteur Marche/Arrêt (2) :

GHG 18-60			
Position	Température	°C	l/min
Position froid		50	200
Position de travail 1		300	350
Position de travail 2		600	500

- **Lors du passage de la position froid à la position de travail 1, la vitesse de rotation et donc le niveau sonore de la soufflerie ne changent pas.**

La position froid est idéale pour refroidir une pièce chaude ou sécher de la peinture. Elle peut aussi être utilisée pour refroidir le décapeur thermique avant de le ranger ou avant de changer de buse.

Instructions d'utilisation

- **Débranchez le câble d'alimentation de la prise secteur avant toute intervention sur le décapeur thermique.**

Remarque : N'approchez pas trop la buse (3) de la pièce à travailler. L'air chaud qui s'accumule risque de provoquer une surchauffe du décapeur thermique.

Retrait de la protection thermique (GHG 18-60)

Pour travailler dans des endroits particulièrement exigus, il est possible de retirer la protection thermique (4) en tournant.

- **Attention à la buse chaude !** Il y a risque élevé de brûlures pendant les travaux sans protection thermique.

Pour retirer et remettre en place la protection thermique (4), arrêtez le décapeur thermique et laissez-le refroidir.

Pour que le décapeur thermique refroidisse plus rapidement, faites-le fonctionner pendant une courte durée à la plus basse température réglable.

Pose du décapeur thermique sur une surface

Posez le décapeur thermique sur les surfaces d'appui (1) pour le laisser refroidir ou pour avoir les deux mains libres pour travailler.

- **Soyez extrêmement prudent lorsque vous travaillez avec le décapeur thermique posé sur une surface !** La buse brûlante et l'air chaud soufflé peuvent causer des brûlures.

Placez le décapeur thermique sur une surface stable et plane. Assurez-vous qu'il ne risque pas de basculer. Attachez le câble en dehors de la zone de travail pour qu'il ne puisse pas renverser le décapeur thermique ou le tirer vers le bas. Arrêtez le décapeur thermique et débranchez le câble d'alimentation de la prise secteur si vous savez qu'il ne va pas être utilisé pendant une longue durée.

Exemples d'utilisation (voir les figures A-F)

Vous trouverez les figures avec les exemples d'utilisation sur les pages graphiques.

La distance à respecter entre la buse et la pièce dépend de la nature du matériau (métal, plastique, etc.) et de la nature du travail à effectuer.

La température optimale pour l'application envisagée doit être déterminée en procédant à des tests pratiques.

Commencez toujours par effectuer des tests pour bien choisir le débit d'air et la température. Ce faisant, commencez avec une grande distance et avec une température basse. Ajustez ensuite la distance et la température en fonction des besoins.

Si vous ne connaissez pas la nature du matériau sur lequel vous allez travailler ou ne savez pas comment le matériau va réagir à la chaleur, commencez par tester son comportement à un endroit caché.

Il est possible de travailler sans accessoire pour toutes les utilisations sauf pour l'enlèvement de peinture ou vernis sur des cadres de fenêtre. Le fait d'utiliser les accessoires recommandés simplifie cependant le travail et permet d'obtenir de biens meilleurs résultats.

- **Attention lors du remplacement de la buse ! Ne touchez pas la buse brûlante. Laissez refroidir le décapeur thermique et portez des gants de protection pendant le remplacement.** La buse brûlante risque de vous brûler.

Enlèvement de vernis ou colle (voir figure A)

Montez la buse plate (5) (accessoire). Ramollissez brièvement le vernis avec l'air chaud et enlevez-le délicatement avec une spatule propre. Une trop forte chaleur brûle le vernis et rend son enlèvement plus difficile.

De nombreuses colles se ramollissent sous l'action de la chaleur. Après avoir chauffé la colle, il devient possible de séparer des pièces collées ou de retirer des excédents de colle.

Enlèvement de peinture ou vernis sur des cadres de fenêtre (voir figure B)

- **Utilisez impérativement la buse protège-vitres (6) (accessoire).** Le verre risque de se casser.

Sur les surfaces profilées, il est possible de soulever la peinture ou le vernis au moyen d'une spatule appropriée et de l'enlever au moyen d'une brosse métallique souple.

Dégel de conduites d'eau (voir figure C)

- **Avant de chauffer une conduite d'eau, assurez-vous qu'il s'agit bien d'une conduite d'eau.** De l'extérieur, il est souvent difficile de distinguer les conduites d'eau des conduites de gaz. Il est strictement interdit de chauffer une conduite de gaz.

Montez la buse coudée (7) (accessoire). Réchauffez toujours les endroits gelés en déplaçant la buse dans le sens inverse au sens d'écoulement dans la conduite.

Pour éviter tout dommage, chauffez les tuyaux en plastique ainsi que les raccords entre tronçons de tuyaux avec une extrême prudence.

Cintrage de tuyaux en plastique (voir figure D)

Fixez la buse à réflecteur (8) (accessoire) sur le décapeur. Remplissez le tuyau en plastique de sable et obturez-le aux deux extrémités pour éviter qu'il ne fasse des plis. Chauffer le tuyau avec précaution et de manière homogène en le déplaçant latéralement dans un sens puis dans l'autre.

Brasage tendre (voir figure E)

Pour le brasage par points, montez la buse de réduction (9) (accessoire) ; pour le brasage de tuyaux, montez la buse à réflecteur (8) (accessoire).

Si vous utilisez un métal d'apport sans flux de brasage, enduisez l'endroit à braser de graisse décapante ou de pâte à braser. Chauffez le joint de soudure et ajoutez la soudure. La température de la pièce doit faire fondre le métal d'apport. Une fois que la brasure a refroidi, enlevez le flux de brasage (en cas d'utilisation d'un métal d'apport avec flux de brasage).

Thermorétraction de gaines (voir figure F)

Fixez la buse à réflecteur (8) (accessoire) sur le décapeur. Choisissez une gaine thermorétractable (10) (accessoire) de diamètre approprié. Chauffez la gaine thermorétractable uniformément jusqu'à ce qu'elle enserme parfaitement la pièce.

Entretien et Service après-vente

Nettoyage et entretien

- **Débranchez le câble d'alimentation de la prise secteur avant toute intervention sur le décapeur thermique.**
- **Tenez toujours propres le décapeur thermique ainsi que les fentes de ventilation afin d'obtenir un travail impeccable et sûr.**

Dans le cas où il s'avère nécessaire de remplacer le câble d'alimentation, confiez le remplacement à **Bosch** ou une station de Service Après-Vente agréée pour outillage **Bosch** afin de ne pas compromettre la sécurité.

Service après-vente et conseil utilisateurs

Notre Service après-vente répond à vos questions concernant la réparation et l'entretien de votre produit et les pièces de rechange. Vous trouverez des vues éclatées et des informations sur les pièces de rechange sur le site :

www.bosch-pt.com

L'équipe de conseil utilisateurs Bosch se tient à votre disposition pour répondre à vos questions concernant nos produits et leurs accessoires.

Pour toute demande de renseignement ou toute commande de pièces de rechange, précisez impérativement la référence à 10 chiffres figurant sur l'étiquette signalétique du produit.

Maroc

Robert Bosch Morocco SARL
53, Rue Lieutenant Mahroud Mohamed
20300 Casablanca
Tel.: +212 5 29 31 43 27
E-Mail : sav.outillage@ma.bosch.com

Vous trouverez d'autres adresses du service après-vente sous :

www.bosch-pt.com/serviceaddresses

Élimination des déchets

Le décapeur thermique, les accessoires et emballages doivent être rapportés à un centre de recyclage respectueux de l'environnement.



Ne jetez pas le décapeur thermique avec les ordures ménagères !

Português

Instruções de segurança




Leia todas as instruções de segurança e instruções. A inobservância das instruções de segurança e das instruções pode causar choque elétrico, incêndio e/ou ferimentos graves.

Guarde bem todas as advertências e instruções para futura referência.

► Este soprador de ar quente não pode ser utilizado por crianças e pessoas com capacidades físicas,

sensoriais ou mentais reduzidas, ou com insuficiente experiência e conhecimentos. Este soprador de ar quente pode ser utilizado por crianças a partir dos 8 anos, assim como pessoas com capacidades físicas, sensoriais ou mentais reduzidas, ou com insuficiente experiência e conhecimentos, desde que as mesmas sejam supervisionadas por uma pessoa responsável pela sua segurança ou recebam instruções acerca da utilização segura do soprador de ar quente e dos perigos provenientes do mesmo. Caso contrário há perigo de operação errada e ferimentos.

- **Vigie as crianças durante a utilização, a limpeza e a manutenção.** Desta forma garante que nenhuma criança brinca com o soprador de ar quente.
- **Manuseie o soprador de ar quente com cuidado.** O soprador de ar quente produz muito calor, o que pode originar um elevado perigo de incêndio e explosão.
 - **Tenha especial cuidado quando trabalhar na proximidade de materiais inflamáveis.** O fluxo de ar quente ou o bico quente podem inflamar pó ou gases.
 - **Não trabalhe com o soprador de ar quente em ambientes onde há risco de explosão.**
 - **Não oriente o fluxo de ar quente durante muito tempo para o mesmo local.** Durante o processamento de plásticos, tintas, vernizes ou materiais semelhantes podem formar-se gases facilmente inflamáveis.
 - **Tenha em atenção que o calor é transmitido a materiais inflamáveis cobertos, podendo provocar a sua ignição.**

- ▶ **Após utilização, deposite de forma segura o soprador de ar quente nas superfícies para pousar a ferramenta e deixe-o arrefecer completamente antes de o arrumar.** O bico quente pode causar danos.
 - ▶ **Não deixe o soprador de ar quente ligado sem vigilância.**
 - ▶ **Guarde sopradores de ar quente não utilizados fora do alcance de crianças. Não deixe pessoas utilizarem o soprador de ar quente se não estiverem familiarizadas com o mesmo ou se não tiverem lido estas instruções.** Os sopradores de ar quente são perigosos se forem utilizados por pessoas inexperientes.
 - ▶ **Mantenha o soprador de ar quente afastado da chuva ou de humidade.** A infiltração de água num soprador de ar quente aumenta o risco de choque elétrico.
 - ▶ **Não deverá utilizar o cabo para outras finalidades. Jamais utilize o cabo para transportar o soprador de ar quente, para pendurá-lo, nem para puxar a ficha da tomada.** Mantenha o cabo afastado de calor ou óleo. Cabos danificados ou emaranhados aumentam o risco de um choque elétrico.
 - ▶ **Use sempre óculos de proteção.** Os óculos de proteção reduzem o risco de ferimentos.
 - ▶ **Puxe a ficha da tomada antes de executar ajustes na ferramenta, de substituir acessórios ou de guardar o soprador de ar quente.** Esta medida preventiva evita um arranque inadvertido do soprador de ar quente.
 - ▶ **Antes de cada utilização verifique o soprador de ar quente, o cabo e a ficha. Não utilize o soprador de ar quente se detetar danos no mesmo. Não abra o soprador de ar quente, as reparações devem ser levadas a cabo apenas por pessoal técnico qualificado e devem ser usadas somente peças de substituição originais.** Os sopradores de ar quente, cabos e fichas danificados aumentam o risco de um choque elétrico.
- 

Areje bem o seu local de trabalho. Os gases e vapores que se formam durante o trabalho são muitas vezes nocivos para a saúde.
- ▶ **Use luvas de proteção e não toque no bico quente.** Existe perigo de queimadura.
 - ▶ **Não oriente o fluxo de ar quente para pessoas ou animais.**
 - ▶ **Não utilize o soprador de ar quente como secador de cabelo.** O fluxo de ar que sai é bastante mais quente do que num secador de cabelo.
- ▶ **Certifique-se de que não entram corpos estranhos no soprador de ar quente.**
 - ▶ **A distância entre o bico e a peça deve ser definida em função do material a processar (metal, plástico, etc.) e o tipo de processamento pretendido.** Efetue primeiro um teste relativamente ao caudal de ar e à temperatura.
 - ▶ **Se não for possível evitar o funcionamento do soprador de ar quente em áreas húmidas, deverá ser utilizado um disjuntor de corrente de avaria.** A utilização de um disjuntor de corrente de avaria reduz o risco de um choque elétrico.
 - ▶ **Não utilize o soprador de ar quente com um cabo danificado. Não tocar no cabo danificado e puxar a ficha da tomada, se o cabo for danificado durante o trabalho.** Cabos danificados aumentam o risco de um choque elétrico.

Descrição do produto e do serviço

Respeite as figuras na parte da frente do manual de instruções.

Utilização adequada

O soprador de ar quente destina-se a moldar e soldar plástico, remover demãos de tinta e aquecer mangas retráteis. Também é adequado para brasar e estanhar, descolar uniões coladas e descongelar de tubos de água. O soprador de ar quente é para uso manual, sob vigilância.

Componentes ilustrados

A numeração dos componentes ilustrados refere-se à apresentação do soprador de ar quente na página de esquemas.

- (1) Superfície de apoio
- (2) Interruptor de ligar/desligar e níveis de potência
- (3) Bico
- (4) Proteção térmica, amovível
- (5) Bico espalhador^{a)}
- (6) Bico protetor de vidros^{a)}
- (7) Bico angular^{a)}
- (8) Bico refletor^{a)}
- (9) Bico de redução^{a)}
- (10) Manga retrátil^{a)}

a) **Acessórios apresentados ou descritos não pertencem ao volume de fornecimento padrão. Todos os acessórios encontram-se no nosso programa de acessórios.**

Dados técnicos

Soprador de ar quente	GHG 16-50	GHG 18-60
Número de produto	3 601 BA6 0..	3 601 BA6 1..
Potência nominal absorvida	W	1600
Caudal de ar	l/min	240/450
Temperatura na entrada do bico ^{b)}	°C	200 ^{A)} /350 ^{A)} /500
		300/500
		50 ^{A)} /300 ^{A)} /600

Soprador de ar quente	GHG 16-50	GHG 18-60
Precisão de medição da temperatura	±10 %	±10 %
Peso conforme EPTA-Procedure 01:2014	kg	0,52
Classe de proteção	□/II	□/II

A) O caudal de ar aumenta com a subida da temperatura de 50 °C para 300 °C. O ventilador roda à mesma velocidade em ambos os níveis de potência.

B) a 20 °C de temperatura ambiente

Os dados aplicam-se a uma tensão nominal [U] de 230 V. Com tensões divergentes e em versões específicas do país, estes dados podem variar.

Informação sobre ruídos/vibrações

O nível de pressão sonora avaliado como A do soprador de ar quente é inferior a **70 dB(A)**.

Valores totais de vibração a_h (soma dos vetores das três direções) e incerteza K:

$a_h < 2,5 \text{ m/s}^2$, $K = 1,5 \text{ m/s}^2$.

Funcionamento

Colocação em funcionamento

Formação de fumo na primeira colocação em funcionamento

As superfícies de metal vêm protegidas de fábrica com um revestimento contra corrosão. Este revestimento de proteção desaparece na primeira colocação em funcionamento.

Devido ao processo de fabrico, o soprador de ar quente pode apresentar descolorações no bico (3). Não se trata de danos, a função do soprador de ar quente não fica limitada.

Ligar

Desloque o interruptor de ligar/desligar (2) para cima.

Desligar

Desloque o interruptor de ligar/desligar (2) para baixo para a posição 0.

- ▶ **GHG 18-60: Deixe a ferramenta elétrica funcionar durante alguns instantes no nível de potência 50 °C antes de a desligar após um longo período de trabalho a alta temperatura (nível de arrefecimento).**

Selecionar nível de potência (GHG 16-50)

Com o interruptor de ligar/desligar (2) pode selecionar os diferentes níveis de potência:

GHG 16-50			
Nível	Nível de potência	°C	l/min
Nível de trabalho 1	I	300	240
Nível de trabalho 2	II	500	450

Selecionar nível de potência (GHG 18-60)

Com o interruptor de ligar/desligar (2) pode selecionar os diferentes níveis de potência:

GHG 18-60			
Nível	Nível de potência	°C	l/min
Nível de arrefecimento		50	200
Nível de trabalho 1	I	300	350
Nível de trabalho 2	II	600	500

- ▶ **Ao comutar do nível de arrefecimento para o nível de trabalho 1 não se altera o número de rotações e, conseqüentemente, o ruído de funcionamento do soprador.**

O nível de arrefecimento é apropriado para o arrefecimento de uma peça aquecida ou para a secagem de tinta. Também é adequado para o soprador de ar quente antes de o depositar ou substituir os bicos de encaixe.

Instruções de trabalho

- ▶ **Antes de todos trabalhos no soprador de ar quente deverá puxar a ficha de rede da tomada.**

Nota: Não aproxime muito o bico (3) da peça de trabalho. A acumulação de ar resultante pode causar o sobreaquecimento do soprador de ar quente.

Remover a proteção térmica (GHG 18-60)

Para trabalhos em locais particularmente estreitos pode retirar a proteção térmica (4) rodando-a.

- ▶ **Cuidado, o bico está quente!** Nos trabalhos sem proteção térmica aumenta o perigo de queimaduras.

Para remover ou colocar a proteção térmica (4) desligue o soprador de ar quente e deixe-o arrefecer.

Para um arrefecimento rápido pode deixar o soprador de ar quente a funcionar na temperatura mais baixa ajustável.

Desligar o soprador de ar quente

Deposite o soprador de ar quente nas superfícies para pousar a ferramenta (1) para o deixar arrefecer ou para ter as duas mãos livres para trabalhar.

- ▶ **Trabalhe com muito cuidado com o soprador de ar quente pousado!** Poderá queimar-se no bico quente ou no fluxo de ar quente.

Posicione o soprador de ar quente sobre uma superfície plana e estável. Certifique-se de que não pode tombar.

Mantenha o cabo fora da área de trabalho para que o mesmo não tombe o soprador de ar quente ou o puxe para baixo.

Desligue o soprador de ar quente se não o for usar durante um período de tempo prolongado e retire a ficha da tomada.

Exemplos de trabalho (ver figuras A–F)

As figuras com os exemplos de trabalho encontram-se nas páginas de gráficos.

A distância entre o bico e a peça deve ser definida em função do material a processar (metal, plástico, etc.) e o tipo de processamento a usar.

A temperatura ideal para a respetiva aplicação pode ser determinada através de uma tentativa prática.

Efetue primeiro um teste relativamente ao caudal de ar e à temperatura. Comece com uma distância maior e um nível de potência reduzido. Depois ajuste a distância e o nível de potência de acordo com o necessário.

Se não tiver a certeza qual o material que processa e qual o efeito do ar quente no material, então teste o efeito numa parte escondida.

Pode trabalhar em todos os exemplos de trabalhos, exceto "Remover verniz de caixilhos de janelas", sem acessórios. A utilização dos acessórios recomendados facilita no entanto o trabalho e aumenta substancialmente a qualidade dos resultados de trabalho.

- ▶ **Cuidado ao mudar de bico! Não toque no bico quente. Deixe o soprador de ar quente arrefecer e use luvas de proteção durante a troca.** Poderá queimar-se no bico quente.

Remover verniz/soltar adesivo (ver figura A)

Coloque o bico espalhador (5) (acessórios). Amoleça o verniz brevemente com ar quente e remova-o com uma espátula limpa. Um efeito de calor prolongado queima o verniz e dificulta a remoção.

Muitos materiais adesivos ficam moles com o calor. Com a cola aquecida pode separar uniões ou remover cola excessiva.

Remover verniz de caixilhos de janelas (ver figura B)

- ▶ **Use impreterivelmente o bico protetor de vidros (6) (acessórios).** Existe perigo de quebra de vidro.

Em superfícies perfiladas é possível levantar o verniz com uma espátula apropriada e escovar o resto com uma escova de arame macia.

Descongela tubulações de água (ver figura C)

- ▶ **Antes de aquecer verifique se se trata mesmo de uma tubulação de água.** Frequentemente a distinção externa entre tubulações de água e de gás é muito difícil. Tubulações de gás não devem ser aquecidas de modo algum.

Coloque o bico angular (7) (acessórios). Aqueça locais congelados de preferência no sentido de alimentação.

Os tubos de plástico e as uniões entre os tubos devem ser aquecidos com cuidado especial para evitar danos.

Moldar tubos de plástico (ver figura D)

Coloque o bico refletor (8) (acessórios). Encha os tubos de plástico com areia e feche ambos os lados, para evitar que o tubo fique vincado. Aqueça ligeira e uniformemente o tubo movimentando-o de um lado para o outro.

Brasagem fraca (ver figura E)

Para soldar por pontos use o bico de redução (9), para soldar tubos use o bico refletor (8) (ambos acessórios).

Se usar uma solda sem fluxo de soldagem, aplique pasta de soldar no local a soldar. Aqueça o local a soldar e adicione a solda. A solda tem de derreter com a temperatura da peça. Se necessário, depois de arrefecido o local a soldar, retire o fluxo de soldagem.

Retrair (ver figura F)

Coloque o bico refletor (8) (acessórios). Selecione o diâmetro da manga retrátil (10) (acessórios) adequada para a peça. Aqueça a manga retrátil, até a mesma ficar justa à peça.

Manutenção e assistência técnica

Manutenção e limpeza

- ▶ **Antes de todos trabalhos no soprador de ar quente deverá puxar a ficha de rede da tomada.**
- ▶ **Manter o soprador de ar quente e as aberturas de ventilação sempre limpos, para trabalhar bem e de forma segura.**

Se for necessário instalar um cabo de ligação, a instalação deve ser feita pela **Bosch** ou por um centro de serviço autorizado para ferramentas elétricas **Bosch**, para evitar perigos de segurança.

Serviço pós-venda e aconselhamento

O serviço pós-venda responde às suas perguntas a respeito de serviços de reparação e de manutenção do seu produto, assim como das peças sobressalentes. Desenhos explodidos e informações acerca das peças sobressalentes também em: www.bosch-pt.com

A nossa equipa de consultores Bosch esclarece com prazer todas as suas dúvidas a respeito dos nossos produtos e acessórios.

Indique para todas as questões e encomendas de peças sobressalentes a referência de 10 dígitos de acordo com a placa de características do produto.

Brasil

Robert Bosch Ltda. – Divisão de Ferramentas Elétricas
Rodovia Anhanguera, Km 98 - Parque Via Norte
13065-900, CP 1195
Campinas, São Paulo
Tel.: 0800 7045 446
www.bosch.com.br/contato

Encontra outros endereços da assistência técnica em:

www.bosch-pt.com/serviceaddresses

Eliminação

O soprador de ar quente, os acessórios e as embalagens devem ser reciclados de forma ambientalmente correta.



Não deitar o soprador de ar quente no lixo doméstico!

Español

Indicaciones de seguridad



Lea íntegramente estas indicaciones de seguridad e instrucciones. Las faltas de observación de las indicaciones de seguridad y de las instrucciones pueden causar descargas eléctricas, incendios y/o lesiones graves.

Guardar todas las advertencias de peligro e instrucciones para futuras consultas.

- ▶ **Este soplador de aire caliente no está previsto para la utilización por niños y personas con limitadas capacidades físicas, sensoriales o intelectuales o con falta de experiencia y conocimientos. Este soplador de aire caliente puede ser utilizado por niños desde 8 años y por personas con limitadas capacidades físicas, sensoriales e intelectuales o con falta de experiencia y conocimientos siempre y cuando estén vigilados por una persona responsable de su seguridad o hayan sido instruidos en la utilización segura del soplador de aire caliente y entendido los peligros inherentes.** En caso contrario, existe el riesgo de un manejo incorrecto y lesiones.
- ▶ **Vigile a los niños durante la utilización, la limpieza y el mantenimiento.** Así se asegura, que los niños no

jueguen con el soplador de aire caliente.

- ▶ **Trate con cuidado el soplador de aire caliente.** El soplador de aire caliente genera fuerte calor, lo que aumenta el peligro de incendio y explosión.
- ▶ **Tenga especial cuidado cuando trabaje cerca de materiales inflamables.** La corriente de aire caliente o la boquilla caliente pueden encender el polvo o los gases.
- ▶ **No trabaje con el soplador de aire caliente en entornos con peligro de explosión.**
- ▶ **No dirija la corriente de aire caliente por un tiempo prolongado sobre un mismo lugar.** Se pueden generar gases fácilmente inflamables p. ej. en el tratamiento de plásticos, pinturas, lacas o materiales semejantes.
- ▶ **Tenga en cuenta que el calor puede dirigirse a materiales combustibles ocultos y encenderlos.**
- ▶ **Deposite cuidadosamente el soplador de aire caliente después del uso y déjelo enfriar completamente en los estantes, antes de guardarlo.** La boquilla caliente puede causar daños.
- ▶ **No deje el soplador de aire caliente conectado sin vigilancia.**
- ▶ **Guarde los sopladores de aire caliente fuera del alcance de los niños. No permita la utilización del soplador de aire caliente a aquellas personas que no estén familiarizadas con su uso o que no hayan leído estas instrucciones.** Los sopladores de aire caliente utilizados por personas inexpertas son peligrosos.
- ▶ **Mantenga el soplador de aire caliente alejado de la lluvia o de la humedad.** Existe el riesgo de recibir una descarga eléctrica si penetra agua en el soplador de aire caliente.
- ▶ **No utilice el cable de red para transportar o colgar el soplador de aire caliente, ni tire de él para sacar el enchufe de la toma de corriente.** Mantenga el cable alejado del calor o aceite. Los cables dañados o enredados pueden provocar una descarga eléctrica.
- ▶ **Use siempre unas gafas de protección.** Unas gafas de protección reducen el riesgo de lesiones.
- ▶ **Retire el enchufe de la caja de enchufe antes de realizar ajustes en el aparato, cambiar accesorios o guardar el soplador de aire caliente.** Esta medida preventiva evita el riesgo de conexión accidental del soplador de aire caliente.
- ▶ **Antes de cualquier uso, compruebe el soplador de aire caliente, el cable y el enchufe. No utilice el soplador de aire caliente, si detecta daños. No abra por sí mismo el soplador de aire caliente y déjelo reparar únicamente por un profesional cualificado, empleando exclusivamente piezas de repuesto originales.** Soplado-

res de aire caliente, cables o enchufes dañados comportan un mayor riesgo de electrocución.



Ventile bien su puesto de trabajo. Los gases y los vapores que se generan durante el trabajo son a menudo perjudiciales para la salud.

- ▶ **Lleve guantes de protección y no toque la boquilla caliente.** Existe peligro de quemaduras.
- ▶ **No dirija la corriente de aire caliente contra personas ni animales.**
- ▶ **No use el soplador de aire caliente como un secador de pelo.** La corriente de aire que sale es mucho más caliente que la de un secador de pelo.
- ▶ **Preste atención, a que no lleguen cuerpos extraños al soplador de aire caliente.**
- ▶ **La distancia de la boquilla a la pieza de trabajo es dependiente del material a trabajar (metal, plástico, etc.) y el mecanizado proyectado.** Efectúe siempre primero una prueba respecto al caudal de aire y la temperatura.
- ▶ **Si fuese imprescindible utilizar el soplador de aire caliente en un entorno húmedo, es necesario conectarlo a través de un interruptor de protección FI.** La aplicación de un interruptor de protección FI reduce el riesgo a exponerse a una descarga eléctrica.
- ▶ **No utilice soplador de aire caliente si el cable está dañado. No toque un cable dañado y desconecte el enchufe de la red, si el cable se daña durante el trabajo.** Un cable dañado comporta un mayor riesgo de electrocución.
- ▶ **El enchufe macho de conexión, debe ser conectado solamente a un enchufe hembra de las mismas características técnicas del enchufe macho en materia.**

Descripción del producto y servicio

Por favor, observe las ilustraciones en la parte inicial de las instrucciones de servicio.

Utilización reglamentaria

El soplador de aire caliente ha sido diseñado para conformar y soldar plástico, decapar pintura y para calentar tubos flexibles termocontráctiles. También es adecuado para soldar y estañar, soltar uniones pegadas y para deshelar tuberías de agua.

El soplador de aire caliente está determinado para el uso manual y supervisado.

En Mexico, no aplica para soldar plásticos y estaño, así como descongelación de tuberías

Componentes principales

La numeración de los componentes representados se refiere a la imagen del soplador de aire caliente en la página ilustrada.

- (1) Superficie de apoyo
- (2) Interruptor de conexión/desconexión y niveles de potencia
- (3) Boquilla
- (4) Protección calorífuga, extraíble
- (5) Boquilla plana^{a)}
- (6) Boquilla de protección de cristal^{a)}
- (7) Boquilla angular^{a)}
- (8) Boquilla reflectora^{a)}
- (9) Boquilla reductora^{a)}
- (10) Tubo flexible termocontráctil^{a)}

a) Los accesorios descritos e ilustrados no corresponden al material que se adjunta de serie. La gama completa de accesorios opcionales se detalla en nuestro programa de accesorios.

Datos técnicos

Decapador por aire caliente		GHG 16-50	GHG 18-60
Número de artículo		3 601 BA6 0..	3 601 BA6 1..
Potencia absorbida nominal	W	1600	1800
Caudal de aire	l/min	240/450	200 ^{A)} /350 ^{A)} /500
Temperatura en la salida de la boquilla ^{B)}	°C	300/500	50 ^{A)} /300 ^{A)} /600
Exactitud de medición de temperatura		±10 %	±10 %
Peso según EPTA-Procedure 01:2014	kg	0,52	0,52
Clase de protección		□/II	□/II

A) El caudal de aire aumenta por el aumento de la temperatura de 50 °C a 300 °C. El ventilador gira a la misma velocidad en ambos niveles de potencia.

B) a 20 °C de temperatura ambiente

Las indicaciones son válidas para una tensión nominal [U] de 230 V. Estas indicaciones pueden variar con tensiones divergentes y en ejecuciones específicas del país.

Información sobre ruidos y vibraciones

El nivel de presión acústica valorado con A del soplador de aire caliente asciende típicamente a menos de 70 dB(A).

Valores totales de vibración a_h (suma vectorial de tres direcciones) e inseguridad K:

$a_h < 2,5 \text{ m/s}^2$, $K = 1,5 \text{ m/s}^2$.

Operación

Puesta en marcha

Generación de humo en la primera puesta en servicio

Las superficies metálicas están protegidas contra la corrosión con un revestimiento de fábrica. Esta capa protectora se evapora en la primera puesta en servicio.

Debido al proceso de fabricación, el soplador de aire caliente puede presentar decoloraciones en la boquilla (3). En este caso no se trata de daños, la función del soplador de aire caliente no se ve afectada.

Conexión

Desplace el interruptor de conexión/desconexión (2) hacia arriba.

Desconexión

Desplace el interruptor de conexión/desconexión (2) hacia abajo a la posición 0.

- **GHG 18-60: Después de trabajos prolongados con altas temperaturas, deje funcionar la herramienta eléctrica breve tiempo en la etapa de potencia 50 °C (etapa de enfriamiento) para enfriarla antes de desconectarla.**

Seleccionar la etapa de potencia (GHG 16-50)

Con el interruptor de conexión/desconexión (2) puede elegir entre diferentes niveles de potencia:

GHG 16-50			
Escalón	Nivel de potencia	°C	l/min
Escalón de trabajo 1		300	240
Escalón de trabajo 2		500	450

Seleccionar la etapa de potencia (GHG 18-60)

Con el interruptor de conexión/desconexión (2) puede elegir entre diferentes niveles de potencia:

GHG 18-60			
Escalón	Nivel de potencia	°C	l/min
Escalón de enfriamiento		50	200
Escalón de trabajo 1		300	350
Escalón de trabajo 2		600	500

- **Al conmutar del escalón de enfriamiento al escalón de trabajo 1, no se modifica el número de revoluciones y así tampoco el nivel de ruido del soplador.**

El escalón de enfriamiento es apropiado para enfriar una pieza de trabajo caliente o para el secado de pintura. También es adecuado para enfriar el soplador de aire caliente antes de desconectarlo o cambiar las boquillas.

Instrucciones para la operación

- **Antes de cualquier manipulación en el soplador de aire caliente extraiga el enchufe de red de la toma de corriente.**

Indicación: No acerque demasiado la boquilla (3) a la pieza de trabajo a mecanizar. El estancamiento de aire resultante puede llegar a sobrecalentar el soplador de aire caliente.

Desmontaje de la protección térmica (GHG 18-60)

Para los trabajos en lugares muy estrechos se puede quitar la protección térmica (4) girándola.

- **¡Cuidado con la boquilla caliente!** Al trabajar sin la protección térmica existe un mayor peligro de quemadura.

Para quitar o colocar la protección térmica (4) desconecte el soplador de aire caliente y déjelo que se enfríe.

Para que se enfríe más rápidamente, puede dejar funcionar brevemente el soplador de aire caliente ajustando la temperatura mínima posible.

Parar el soplador de aire caliente

Coloque el soplador de aire caliente sobre las superficies portaobjetos (1), para permitir que se enfríe o para tener ambas manos libres para trabajar.

- **¡Tenga especial cuidado con el soplador de aire caliente depositado!** Podría quemarse con la boquilla o el aire caliente expulsado.

Coloque el soplador de aire caliente en una superficie plana y estable. Asegúrese de que no pueda volcarse. Asegure el cable fuera de su área de trabajo para que no pueda dar vuelta o tirar hacia abajo el soplador de aire caliente.

En caso de no utilizar el soplador de aire caliente durante un tiempo prolongado, desconéctelo y extraiga el enchufe de red.

Ejemplos para el trabajo (ver figuras A-F)

Las figuras correspondientes a los ejemplos de trabajo las encontrará en las páginas ilustradas.

La distancia de la boquilla a la pieza de trabajo es dependiente del material a trabajar (metal, plástico, etc.) y el mecanizado proyectado.

La temperatura óptima para la respectiva aplicación puede determinarse mediante un experimento práctico.

Efectúe siempre primero una prueba respecto al caudal de aire y la temperatura. Comience con una mayor distancia y un nivel bajo de potencia. A continuación, ajuste la distancia y el nivel de potencia según sea necesario.

Si no está seguro, cual es el material que está trabajando o cómo es el efecto del soplador de aire caliente sobre el material, pruebe el efecto en un lugar oculto.

Puede trabajar sin accesorios en todos los ejemplos de trabajo excepto "Eliminar pintura de marcos de ventanas". Sin embargo, al emplear los accesorios especiales propuestos, la ejecución del trabajo se simplifica y se aumenta considerablemente su calidad.

- **¡Tenga cuidado al cambiar las boquillas! No toque la boquilla caliente. Permita que el soplador de aire caliente se enfríe y use guantes de protección al realizar el cambio.** Podría quemarse con la boquilla caliente.

Decapado de pintura/desprendimiento de adhesivo (ver figura A)

Coloque la boquilla plana (5) (accesorio). Ablande la pintura brevemente con aire caliente y despéguela con una espátula limpia. Una acción de calor prolongada quema la pintura y dificulta la eliminación.

Muchos adhesivos se ablandan por la acción de calor. Si el pegamento está caliente, puede separar las uniones adhesivas o eliminar el exceso de pegamento.

Eliminar pintura de marcos de ventanas (ver figura B)

- **Utilice imprescindiblemente la boquilla de protección de vidrio (6) (accesorio).** Existe el peligro de que rompa el cristal.

En superficies perfiladas puede levantarse la pintura con una espátula adecuada y desprenderse con un cepillo de alambre blando.

Descongelación de tuberías de agua (ver figura C)

- **Compruebe antes del calentamiento, si se trata realmente de una tubería de agua.** Con frecuencia no es posible diferenciar exteriormente entre tuberías de gas y de agua. Jamás deberán calentarse tuberías de gas.

Coloque la boquilla angular (7) (accesorio). Preferiblemente, caliente las zonas congeladas desde el desagüe hacia la afluencia.

Caliente con especial cuidado los tubos de plástico y las uniones de los tubos, para no dañarlos.

Conformación de tubos de plástico (ver figura D)

Coloque la boquilla reflectora (8) (accesorio). Llene los tubos de plástico con arena y obtúrelos en ambos lados para evitar una dobladura del tubo. Caliente el tubo con cuidado y uniforme moviéndolo lateralmente en ambos sentidos.

Soldadura con estaño (ver figura E)

Coloque la boquilla reductora (9) para la soldadura por puntos y la boquilla reflectora (8) (ambos accesorios) para la soldadura de tubos.

Si emplea estaño sin fundente aplique pasta o grasa de soldar al punto de soldadura. Caliente el punto de soldadura blanda y añada la soldadura. El estaño deberá fundirse por la propia temperatura que ha adquirido la pieza de trabajo. Si procede, elimine los restos de fundente una vez que se haya enfriado el punto de soldadura.

Contracción (ver figura F)

Coloque la boquilla reflectora (8) (accesorio). Elija el diámetro del tubo flexible termocontráctil (10) (accesorio) adecuado para la pieza de trabajo. Caliente el tubo flexible ter-

mocontráctil uniformemente, hasta que quede ceñido a la pieza de trabajo.

Mantenimiento y servicio

Mantenimiento y limpieza

- **Antes de cualquier manipulación en el soplador de aire caliente extraiga el enchufe de red de la toma de corriente.**
- **Mantenga limpia el soplador de aire caliente y las rejillas de refrigeración para trabajar con eficacia y seguridad.**

Si es necesario reemplazar el cable de conexión, entonces esto debe ser realizado por **Bosch** o por un servicio técnico autorizado para herramientas eléctricas **Bosch**, para evitar riesgos de seguridad.

Servicio técnico y atención al cliente

El servicio técnico le asesorará en las consultas que pueda Ud. tener sobre la reparación y mantenimiento de su producto, así como sobre piezas de recambio. Las representaciones gráficas tridimensionales e informaciones de repuestos se encuentran también bajo: **www.bosch-pt.com**
El equipo asesor de aplicaciones de Bosch le ayuda gustosamente en caso de preguntas sobre nuestros productos y sus accesorios.

Para cualquier consulta o pedido de piezas de repuesto es imprescindible indicar el nº de artículo de 10 dígitos que figura en la placa de características del producto.

México

Robert Bosch S. de R.L. de C.V.
Calle Robert Bosch No. 405
C.P. 50071 Zona Industrial, Toluca - Estado de México
Tel.: (52) 55 528430-62
Tel.: 800 6271286
www.bosch-herramientas.com.mx

Direcciones de servicio adicionales se encuentran bajo:

www.bosch-pt.com/serviceaddresses

Eliminación

El soplador de aire caliente, los accesorios y los embalajes deberán someterse a un proceso de recuperación que respete el medio ambiente.

¡No arroje los sopladores de aire caliente a la basura!



El símbolo es solamente válido, si también se encuentra sobre la placa de características del producto/fabricado.

Português do Brasil

Indicações de segurança



Ler todas as indicações de segurança e instruções. O desrespeito das advertências e das instruções apresentadas abaixo pode causar choque elétrico, incêndio e/ou graves lesões.

Guarde todas as indicações de segurança e as instruções para futuras consultas.

- ▶ **Este soprador térmico não é indicado para uso por crianças e pessoas com capacidades físicas, sensoriais ou mentais reduzidas ou com pouca experiência e conhecimento. Este soprador térmico pode ser usado por crianças a partir dos 8 anos e pessoas com capacidades físicas, sensoriais ou mentais reduzidas ou com pouca experiência e conhecimento, se forem vigiadas por uma pessoa responsável pela sua segurança ou se tiverem sido instruídas acerca do manuseio seguro do soprador térmico e compreenderem os perigos provenientes do mesmo.** Caso contrário, existe o perigo de utilização errada e ferimentos.
- ▶ **Vigie crianças durante o uso, a limpeza e a manutenção,** para se assegurar que elas não brinquem com o soprador térmico.
- ▶ **Manuseie o soprador térmico com cuidado.** O soprador térmico gera um calor forte, aumentando o risco de incêndio e explosão.

- ▶ **Seja particularmente cuidadoso ao trabalhar perto de materiais combustíveis.** O fluxo de ar quente ou o bocal quente podem inflamar poeira ou gases.
- ▶ **Não trabalhe com o soprador térmico em áreas com risco de explosão.**
- ▶ **Não oriente o fluxo de ar quente para o mesmo local por um longo período de tempo.** Podem formar-se gases altamente inflamáveis por ex. no processamento de plásticos, tintas, vernizes ou materiais similares.
- ▶ **Tenha em conta que o calor pode ser direcionado para materiais combustíveis ocultos e inflamá-los.**
- ▶ **Após o uso, coloque o soprador térmico corretamente sobre a superfície de apoio e deixe esfriar completamente antes de guardá-lo.** O bocal quente pode causar danos.
- ▶ **Não deixe o soprador térmico ligado sem vigilância.**
- ▶ **Guarde sopradores térmicos que não estão em uso fora do alcance de crianças. Não permita que pessoas que não estejam familiarizadas com o soprador térmico ou que não tenham lido estas instruções, utilizem o aparelho.** Os sopradores térmicos são perigosos se forem utilizados por pessoas inexperientes.
- ▶ **Mantenha o soprador térmico longe de água e umidade.** A infiltração de água em um soprador térmico aumenta o risco de um choque elétrico.
- ▶ **Não utilize o cabo para outras finalidades. Jamais utilize o cabo para transportar o soprador térmico, para pendurá-lo, nem para puxar o plugue da tomada.** Mantenha o cabo afastado de calor ou óleo. Cabos danificados ou emaranhados aumentam o risco de choque elétrico.
- ▶ **Use sempre óculos de proteção.** Os óculos de proteção reduzem o risco de lesões.
- ▶ **Retire o plugue da tomada antes de fazer ajustes no soprador térmico, substituir acessórios ou remover o soprador térmico.** Esta medida de segurança evita o arranque involuntário do soprador térmico.
- ▶ **Antes de cada utilização verifique o soprador térmico, o cabo e o plugue. Não utilize o soprador térmico se detectar danos. Não abra o soprador térmico, as reparações devem ser feitas apenas por pessoal técnico qualificado e com peças sobressalentes originais.** Os sopradores térmicos, cabos e plugues danificados aumentam o risco de choque elétrico.
- ▶ **Ventile bem o seu local de trabalho.** Os gases e vapores do trabalho são frequentemente prejudiciais para a saúde.
- ▶ **Use luvas de proteção e não toque no bocal quente.** Existe perigo de queimadura.
- ▶ **Não dirija o fluxo de ar quente para pessoas ou animais.**
- ▶ **Não use o soprador térmico como secador de cabelo.** O fluxo de ar quente que sai é muito mais quente do que de um secador de cabelo.



- ▶ **Certifique-se de que nenhum objeto estranho entra no soprador térmico.**
- ▶ **A distância entre o bocal e a peça de trabalho depende do material a ser trabalhado (metal, plástico, etc.) e o tipo de processamento pretendido.** Execute sempre primeiro um teste de volume e temperatura do ar.
- ▶ **Se não for possível evitar que o soprador térmico seja operado em áreas úmidas, deve-se utilizar um dispositivo de corrente diferencial (DR).** A utilização de um dispositivo de corrente diferencial (DR) reduz o risco de um choque elétrico.
- ▶ **Não use o soprador térmico com o cabo danificado. Não toque no cabo danificado e retire o plugue da tomada se o cabo for danificado durante o trabalho.** Cabos danificados aumentam o risco de um choque elétrico.

Descrição do produto e especificações

Respeitar as ilustrações na parte da frente do manual de instruções.

Utilização adequada

O soprador térmico destina-se à moldagem e soldagem de plásticos, remoção de tintas e aquecimento de tubos de encolhimento. Também é adequado para soldar e estancar, dissolver juntas adesivas e descongelar tubos de água.

O soprador térmico é para uso manual, sob vigilância.

Componentes ilustrados

A numeração dos componentes ilustrados se refere à apresentação do soprador térmico na página de gráfico.

- (1) Superfície de apoio
- (2) Interruptor de ligar/desligar e níveis de potência
- (3) Bocal
- (4) Proteção térmica, removível
- (5) Bocal plano^{a)}
- (6) Bocal de proteção de vidro^{a)}
- (7) Bocal angular^{a)}
- (8) Bocal refletor^{a)}
- (9) Bocal redutor^{a)}
- (10) Tubo de encolhimento^{a)}

a) **Acessórios apresentados ou descritos não pertencem ao volume de fornecimento. Todos os acessórios encontram-se no nosso catálogo de acessórios.**

Dados técnicos

Soprador térmico		GHG 16-50	GHG 18-60
Nº do produto		3 601 BA6 0..	3 601 BA6 1..
Potência nominal consumida	W	1600	1800
Volume de ar	l/min	240/450	200 ^{A)} /350 ^{A)} /500
Temperatura na saída do bocal ^{B)}	°C	300/500	50 ^{A)} /300 ^{A)} /600
Precisão na medição da temperatura		±10 %	±10 %
Peso conforme EPTA-Procedure 01:2014	kg	0,52	0,52
Classe de proteção		□/II	□/II

A) O volume de ar aumenta com o aumento da temperatura 50 °C para 300 °C. A ventoinha roda à mesma velocidade em ambos os níveis de potência.

B) A 20 °C temperatura ambiente

Os dados são válidos para uma tensão nominal [U] de 230 V. No caso de tensões divergentes e em versões específicas do país, estes dados podem variar.

Informação sobre ruídos/vibrações

Tipicamente o nível pressão sonora ponderado em «A» do soprador térmico é normalmente inferior a 70 dB(A).

Valores totais de vibração a_h (soma dos vetores de três direções) e incerteza K:

$$a_h < 2,5 \text{ m/s}^2, K = 1,5 \text{ m/s}^2.$$

Funcionamento

Colocando em funcionamento

Desenvolvimento de fumaça durante a colocação em funcionamento

As superfícies metálicas são protegidas de fábrica contra corrosão com um revestimento. Este revestimento protetor evapora durante a primeira colocação em funcionamento.

O soprador térmico pode apresentar descolorações no bocal (3) devido ao processo de fabricação. Neste caso não se trata de danos, o funcionamento do soprador térmico não é afetado.

Ligar

Desloque o interruptor de ligar/desligar **(2)** para cima.

Desligar

Desloque o interruptor de ligar/desligar **(2)** para baixo para a posição **0**.

- ▶ **GHG 18-60: Deixe a ferramenta elétrica funcionar durante alguns instantes no nível de potência 50 °C antes de a desligar após um longo período de trabalho a alta temperatura (nível de arrefecimento).**

Selecionar nível de potência (GHG 16-50)

Com o interruptor de ligar/desligar **(2)** é possível selecionar diferentes níveis de potência:

GHG 16-50			
Nível	Nível de potência	°C	l/min
Nível de trabalho 1		300	240
Nível de trabalho 2		500	450

Selecionar nível de potência (GHG 18-60)

Com o interruptor de ligar/desligar **(2)** é possível selecionar diferentes níveis de potência:

GHG 18-60			
Nível	Nível de potência	°C	l/min
Nível de arrefecimento		50	200
Nível de trabalho 1		300	350
Nível de trabalho 2		600	500

- ▶ **Ao comutar do nível de arrefecimento para o nível de trabalho 1 não se altera o número de rotações e, conseqüentemente, o ruído de funcionamento do soprador.**

O nível de arrefecimento é adequado para resfriar uma peça de trabalho aquecida ou para secar tinta. Também é adequado para arrefecer o soprador térmico antes de desligar ou trocar os bocais.

Indicações de trabalho

- ▶ **Antes de todos os trabalhos no soprador térmico deve-se puxar o cabo com plugue da tomada.**

Nota: Não aproxime demasiado o bocal **(3)** à peça a trabalhar. O bloqueio do ar resultante pode levar ao sobreaquecimento do soprador térmico.

Retirar a proteção térmica (GHG 18-60)

Para trabalhar em locais muito estreitos, você pode remover a proteção térmica **(4)** rodando-a.

- ▶ **Cuidado com o bocal quente!** Ao trabalhar sem proteção térmica existe elevado perigo de queimadura.

Para retirar ou colocar a proteção térmica **(4)** desligue o soprador térmico e deixe-o esfriar.

Para um resfriamento rápido, você também pode deixar o soprador térmico funcionando brevemente com a menor temperatura ajustável.

Desligar o soprador térmico

Coloque o soprador térmico sobre as superfícies de apoio **(1)** para deixar esfriar ou para liberar as mãos para outro trabalho.

- ▶ **Tenha cuidado especial ao manusear o soprador térmico apoiado!** Você pode se queimar no bocal quente ou no fluxo de ar quente.

Posicione o soprador térmico sobre uma superfície plana e estável. Assegure-se de que não pode tombar. Mantenha o cabo fora da área de trabalho para que o mesmo não derrube o soprador térmico ou o puxe para baixo.

Desligue o soprador térmico e puxe o plugue de rede da tomada se não pretender usar o soprador térmico por um tempo prolongado.

Exemplos de trabalho (ver figuras A-F)

As ilustrações dos exemplos de trabalho podem ser encontradas nas páginas gráficas.

A distância entre o bocal e a peça de trabalho depende do material a ser trabalhado (metal, plástico, etc.) e o tipo de processamento pretendido.

A temperatura otimizada para cada aplicação pode ser averiguada através de um ensaio prático.

Execute sempre primeiro um teste de volume e temperatura do ar. Comece com uma distância maior e um nível de potência baixo. Vá ajustando a distância e o nível de potência conforme necessário.

Se você não tem certeza qual material você está trabalhando ou qual o efeito do ar quente no material, então teste o efeito em um lugar oculto.

Pode executar todos os exemplos de trabalho sem acessórios, exceto "Remover verniz do batente da janela". No entanto, o uso dos acessórios recomendados simplifica o trabalho e aumenta significativamente a qualidade do resultado.

- ▶ **Cuidado ao trocar o bocal! Não toque no bocal quente. Deixe o soprador térmico esfriar e use luvas de proteção para efetuar a troca.** Você pode se queimar no bocal quente.

Remover verniz/soltar cola (ver figura A)

Coloque o bocal plano **(5)** (acessório). Amoleça brevemente o verniz com ar quente e levante-o com uma espátula limpa. A longa exposição ao calor queima o verniz e dificulta sua remoção.

Muitas colas amolecem com o calor. Com a cola aquecida você pode soltar uniões ou remover cola excessiva.

Remover verniz do batente da janela (ver figura B)

- ▶ **Use impreterivelmente um bocal de proteção de vidro (6) (acessório).** Existe perigo de quebra do vidro.

Em superfícies perfiladas, você pode levantar o verniz com uma espátula adequada e escovar com uma escova de arame macia.

Descongelo de tubos de água (ver figura C)

- ▶ **Antes de aquecer, verifique se realmente é um tubo de água.** Muitas vezes não é possível diferenciar por fora se trata de um tubo de água ou de gás. Os tubos de gás não podem ser aquecidos sob circunstância alguma.

Coloque o bocal angular (7) (acessório). Aqueça o local congelado de preferência do lado da entrada para o lado de saída.

Aqueça tubos de plástico, assim como uniões entre peças de tubos com muito cuidado para evitar danos.

Deformar tubos de plástico (ver figura D)

Coloque o bocal refletor (8) (acessório). Encha os tubos de plástico com areia e feche-os de ambos os lados para evitar que vincar os tubos. Aqueça o tubo com cuidado e uniformemente através de um movimento lateral de um lado para o outro.

Solda macia (ver figura E)

Para soldar pontos use o bocal redutor (9), para soldar tubos use o bocal refletor (8) (ambos acessórios).

Se você usar solda sem fluxo, coloque graxa de solda ou pasta de solda na união de solda. Aqueça o ponto de solda e insira a solda. A solda tem de derreter com a temperatura da peça de trabalho.

Se necessário, remova o fluxo de solda após o resfriamento do local.

Encolher (ver figura F)

Coloque o bocal refletor (8) (acessório). Selecione o diâmetro do tubo de encolhimento (10) (acessórios) em função da peça a ser trabalhada. Aqueça o tubo de encolhimento uniformemente até o mesmo ficar justo à peça a ser trabalhada.

Manutenção e serviço**Manutenção e limpeza**

- ▶ **Antes de todos os trabalhos no soprador térmico deve-se puxar o cabo com plugue da tomada.**
- ▶ **Mantenha o soprador térmico e as aberturas de ventilação limpas, para trabalhar bem e de forma segura.**

Se for necessário substituir o cabo de força, isto deverá ser realizado pela **Bosch** ou por uma assistência técnica autorizada para todas as ferramentas elétricas **Bosch** para evitar riscos de segurança.

Serviço pós-venda e assistência ao cliente

O serviço pós-venda responde às suas perguntas a respeito de serviços de reparação e de manutenção do seu produto, assim como das peças sobressalentes. Desenhos explodidos e informações sobre peças sobressalentes também em:

www.bosch-pt.com

A nossa equipe de consultores Bosch esclarece com prazer todas as suas dúvidas a respeito dos nossos produtos e acessórios.

Indique em todas as questões ou encomendas de peças sobressalentes impreterivelmente a referência de 10 dígitos de acordo com a placa de características do produto.

Brasil

Robert Bosch Ltda. – Divisão de Ferramentas Elétricas
Rodovia Anhanguera, Km 98 - Parque Via Norte
13065-900, CP 1195
Campinas, São Paulo
Tel.: 0800 7045 446
www.bosch.com.br/contato

Encontre outros endereços da assistência técnica em:

www.bosch-pt.com/serviceaddresses

Descarte

Soprador térmico, acessórios e embalagens devem ser enviados a uma reciclagem ecológica de matérias-primas.



Não jogar o soprador térmico no lixo doméstico!

中文**安全规章**

请阅读所有的安全规章和指示。不遵照以下警告和说明会导致电击、着火和/或严重伤害。

应将所有安全规章和指示保存到将来。

- ▶ **儿童和身体、感官或精神上有缺陷或缺乏经验与知识的人员不得使用本本暖风机。对于八岁以上的儿童和身体、感官或精神上有缺陷或缺乏经验与知识的人员，倘若其得到负责其安全的人员监护或接受过监护人员有关热风机使用的指导并已了解到可能的危险，则可以使用本热风机。否则会有误操作和人身伤害的危险。**
- ▶ **在使用、清洁和保养时请看管好儿童。确保儿童不会使用本热风机玩耍。**

▶ 小心谨慎地使用热风枪。本热风枪会剧烈发热，增加火灾和爆炸危险。

- ▶ 如果您在周围有可燃材料的环境下工作，要格外小心。高温气流或高温喷嘴可能会将粉尘或气体点燃。
- ▶ 不得在有爆炸危险的环境下使用本热风枪。
- ▶ 不要长时间将高温气流对准同一个位置。例如在加工塑料、颜料、油漆或类似材料时，会产生易燃气体。
- ▶ 请注意，热量会传导到隐蔽位置的可燃材料处并将其点燃。
- ▶ 使用后请将热风枪安全放到存放位置，装进包装带走前应使其表面完全冷却。热喷嘴可能会带来损伤。
- ▶ 本热风枪启动后，不得无人监管。
- ▶ 将闲置不用的热风枪贮存在儿童所及范围之外。并且不要让不熟悉热风枪或对这些说明不了解的人操作本设备。让经验不足的人操作热风枪容易发生意外。
- ▶ 不得将热风枪暴露在雨中或潮湿环境中。水进入热风枪将增加电击危险。
- ▶ 不得滥用电线。绝不能用电线搬运、拉动热风枪或拔出其插头。电源线应远离热源或油。受损或缠绕的电源线会提高触电危险。
- ▶ 请始终佩戴护目镜。护目镜可降低受伤的风险。
- ▶ 调整设备设置、更换附件或贮存本热风枪前，要将插头从电源插座上拔出。这种防护性措施将减少热风枪意外起动的危险。
- ▶ 每次使用前都要检查热风枪、电源线和插头。一旦发现损坏，请勿使用热风枪。请勿自行打开热风枪，只能由具有相应资质的专业人员用原厂配件进行维修。损坏的热风枪、电源线和插头会提高触电风险。



确保工作场地通风良好。工作时产生的气体和蒸汽时常会损害健康。

- ▶ 请佩戴保护手套，请勿触摸高温喷嘴。有烫伤危险。

技术数据

暖风机	GHG 16-50	GHG 18-60	
物品代码	3 601 BA6 0..	3 601 BA6 1..	
额定输入功率	瓦	1600	1800
风量	升/分钟	240/450	200 ^{A)} /350 ^{A)} /500
喷嘴出口上的温度 ^{B)}	摄氏度	300/500	50 ^{A)} /300 ^{A)} /600
温度测量精度		±10 %	±10 %
重量符合EPTA-Procedure 01:2014	千克	0.52	0.52

- ▶ 不得将高温空气流对准人或动物。
- ▶ 不得将本热风枪用于吹干头发。它吹出的空气流温度比吹风机吹出的高得多。
- ▶ 注意，不得有异物进入热风枪中。
- ▶ 喷嘴和工件之间的距离取决于待加工的材料（金属、塑料等）和打算使用的加工方法。首先就空气量和温度进行一次测试。
- ▶ 如果不得不在潮湿环境中操作热风枪，应使用故障电流保护开关。使用故障电流保护开关可降低触电的风险。
- ▶ 勿使用电源线已经损坏的热风枪。如果电源线在工作中受损，切勿触摸损坏的电线，并要马上拔出插头。损坏的电源线会提高用户触电的危险。

产品和性能说明

请注意本使用说明书开头部分的图示。

按照规定使用

本热风枪可以用来弯曲或熔接塑胶，清除旧漆以及替热缩管加温。它也同样适用于钎焊和镀锡、松开粘接以及水管解冻。

本热风枪适合在有人看管的情况下手持使用。

插图上的机件

机件的编号和热风枪详解图上的编号一致。

- (1) 竖立位置
- (2) 电源开关和功率等级
- (3) 喷嘴
- (4) 隔热装置，可拆卸
- (5) 扁平喷嘴^{a)}
- (6) 玻璃保护喷嘴^{a)}
- (7) 角度喷嘴^{a)}
- (8) 反射器喷嘴^{a)}
- (9) 变径嘴^{a)}
- (10) 收缩软管^{a)}

a) 图表或说明上提到的附件，并不包含在基本的供货范围中。本公司的附件清单中有完整的附件供应项目。

暖风机

GHG 16-50

GHG 18-60

保护等级

□/||

□/||

A) 温度由50摄氏度升至300摄氏度会造成风量增加。风扇在两个功率等级下的转速相同。

B) 在20摄氏度的环境温度下

本说明书提供的参数是以230V为依据，于低电压地区，此数据有可能不同。

工作

投入使用

首次使用时有烟气形成

出厂时金属表面涂有一层防腐保护层。首次使用时该保护层会蒸发掉。

热风枪的喷嘴(3)可能在生产过程中褪色。此处不涉及损坏，不会影响热风枪的功能。

开机

向上推动开关按钮(2)。

关闭

将开关按钮(2)向下推到位置0。

► **GHG 18-60: 电动工具在长时间工作后会产生高温，在关闭前请以50摄氏度的功率等级（冷却档位）运行一小段时间以便冷却。**

选择功率等级（GHG 16-50）

通过开关按钮(2)可在不同的功率等级之间进行选择：

GHG 16-50			
档位	功率等级	摄氏度	升/分钟
工作档位1	I	300	240
工作档位2	II	500	450

选择功率等级（GHG 18-60）

通过开关按钮(2)可在不同的功率等级之间进行选择：

GHG 18-60			
档位	功率等级	摄氏度	升/分钟
冷却档位	III	50	200
工作档位1	I	300	350
工作档位2	II	600	500

► **从冷却档位切换到工作档位1时，转速不变，因此风扇的工作噪音也不变。**

冷却档位适用于冷却受热工件或干燥涂料。也适用于在放下或更换喷嘴前冷却热风枪。

工作提示

► **在热风枪上进行所有操作之前都必须从插座上拔出电源插头。**

提示：切勿将喷嘴(3)放到距待加工工件过近的位置上。阻塞的气流会导致热风枪超温。

拆卸隔热装置(GHG 18-60)

在特别狭小的空间内操作时，可转动隔热装置(4)将其拆下。

► **小心滚烫的喷嘴！** 不带隔热装置操作时，烫伤危险提高。

取下或装上隔热装置(4)时，请关闭热风枪并让其冷却。

必要时可以把热风枪设定在最低温的档位运转以加速机器冷却。

存放热风枪

将热风枪放到存放位置(1)上进行冷却或空出双手工作。

► **请小心操作搁放下的热风枪！** 勿让高温的吹风管与机器排出的热气流烫伤。

请将热风枪放在稳固的平面上。请确保热风枪不会翻倒。请确保电缆处于工作区域外，以免热风枪被电缆翻倒或掉落。

在长时间不使用的情况下请关闭热风枪，并且从插座中拔出插头。

工作范例（参见插图A-F）

插图页上有工作范例的插图。

喷嘴和工件之间的距离取决于待加工的材料（金属、塑料等）和打算使用的加工方法。

通过实际试验来确定各个应用的最佳温度。

首先就空气量和温度进行一次测试。以较远的距离和较低的功率等级开始。根据需要调整距离和功率等级。

如果不确定加工哪种材料或不清楚热风对材料的影响，请在隐蔽的位置对影响进行测试。

在所有工作范例中都可以不借助附件进行操作，除了“除去窗框上的油漆”。但是如果安装了本公司推荐的附件，不仅能够减轻工作，更能够提高工作品质。

► **更换喷嘴时应小心！请勿触摸高温喷嘴。冷却热风枪并在更换喷嘴时佩戴保护手套。** 您可能被灼烫的吹风管烫伤。

清除油漆/松脱粘合剂（参见插图A）

装上扁平喷嘴(5)（附件）。用热风短时间软化油漆，然后用干净的刮铲刮除。长时间加热会烧灼油漆，从而难以清除。

许多粘合剂受热时会变软。粘合剂受热后即可断开连接或清除多余的粘合剂。

除去窗框上的油漆（参见插图B）

► **请务必使用玻璃保护喷嘴(6)（附件）。** 有造成玻璃破裂的危险。

使用合适的刮铲刮除窗上雕花部位的油漆，接着再使用软的钢丝刷刷干净。

解冻水管（参见插图C）

► **加热前请检查是否确实为水管。** 水管与煤气管在外观上经常难以区分。绝不允许加热煤气管。

装上角度喷嘴(7) (附件)。沿着从出水到进水的方向加热被冻住的位置。

加热塑料管以及两根管的连接处时要特别小心，以免造成损坏。

塑胶管整形 (参见插图D)

装上反射器喷嘴(8) (附件)。用沙子填充塑料管，封闭两端，避免弯折塑料管。通过在侧面来回移动，小心、均匀地加热塑料管。

软焊 (参见插图E)

点焊时，请安装变径嘴(9)，焊接管道时，请安装反射器喷嘴(8) (两个附件)。

如果使用未添加助焊剂的焊料，则必须在焊接位置涂抹焊脂或焊膏。加热焊接位置，添加焊料。焊料接触了经过加热的表面便会熔化，等待焊接处冷却后再清除助焊剂。

收缩 (参见插图F)

装上反射器喷嘴(8) (附件)。选择与工件匹配的收缩软管(10) (附件)直径。均匀地加热收缩软管，直至软管紧贴在工件上。

维修和服务

维护和清洁

- ▶ 在热风枪上进行所有操作之前都必须从插座上拔出电源插头。
- ▶ 热风枪和通气孔必须随时保持清洁，以确保工作效率和工作安全。

如果必须更换连接线，务必把这项工作交给Bosch或者经授权的Bosch电动工具客户服务执行，以避免危害机器的安全性能。

客户服务和应用咨询

本公司客户服务处负责回答有关本公司产品的修理、维护和备件的问题。备件的展开图纸和信息也可查看：www.bosch-pt.com
博世应用咨询团队乐于就我们的产品及其附件问题提供帮助。

询问和订购备件时，务必提供机器铭牌上标示的10位数物品代码。

中国大陆

博世电动工具(中国)有限公司
中国 浙江省 杭州市
滨江区 滨康路567号
102/1F 服务中心
邮政编码: 310052
电话: (0571)8887 5566 / 5588
传真: (0571)8887 6688 x 5566# / 5588#
电邮: bsc.hz@cn.bosch.com
www.bosch-pt.com.cn

制造商地址:

Robert Bosch Power Tools GmbH
罗伯特·博世电动工具有限公司
70538 Stuttgart / GERMANY
70538 斯图加特 / 德国

其他服务地址请见:

www.bosch-pt.com/serviceaddresses

处理废弃物

必须使用符合环保要求的方式处理废弃的热风枪、附件和包装材料。



请勿将热风枪扔到生活垃圾中!

产品中有害物质的名称及含量

部件名称	有害物质					
	铅 (Pb)	汞 (Hg)	镉 (Cd)	六价铬 (Cr ⁺⁶)	多溴联苯 (PBB)	多溴二苯醚 (PBDE)
外壳的金属部分	○	○	○	○	○	○
外壳的非金属部分	○	○	○	○	○	○
机械传动机构	X	○	○	○	○	○
电机组件	X	○	○	○	○	○
控制组件	X	○	X	○	○	○
附件	○	○	○	○	○	○
配件	○	○	○	○	○	○
连接件	X	○	○	○	○	○
电源线* ①	○	○	○	○	○	○
电池系统* ②	X	○	○	○	○	○

本表格依据SJ/T11364的规定编制。

O: 表示该有害物质在该部件所有均质材料中的含量均在GB/T 26572规定的限量要求以下。

X: 表示该有害物质至少在该部件的某一均质材料中的含量超出GB/T 26572规定的限量要求。且目前业界没有成熟的替代方案，符合欧盟RoHS指令环保要求。

① 适用于采用电源线连接供电的产品。

② 适用于采用充电电池供电的产品。

产品环保使用期限内的使用条件参见产品说明书。

繁體中文

安全注意事項



請詳讀所有安全注意事項和指示。如未遵守安全注意事項與指示，可能導致火災、人員遭受電擊及／或重傷。

請妥善保存所有安全注意事項與指示，以供日後查閱之用。

▶ **本熱風機不適合兒童以及身體、感官或心智能力有缺陷，或是缺乏相關經驗及知識的人士使用。8歲以上兒童以及身體、感官或心智能力有缺陷，或是缺乏相關經驗及知識的人士，只要在他人監督下或接受過如何安全處置此熱風機的指導，並充份瞭解相關危險，即可使用該熱風機。否則可能會造成操作上的錯誤，進而使人員受傷。**

▶ **使用、清潔及維修期間，請隨時留意兒童。如此才能確保他們未將本熱風機當做玩具任意玩耍。**

▶ **請您謹慎對待此熱風機。本熱風機所散發出來的熱度極高，進一步提高了著火及爆炸的危險性。**

▶ **在易燃材料附近作業時，請格外小心。高溫氣流或高溫出口可能點燃粉塵或氣體。**

▶ **請勿在具有爆炸危險的環境中使用本熱風機。**

▶ **請勿將高溫氣流長時間對準同一位置吹拂。加工塑膠、顏料、烤漆或其他類似材質時，可能會產生易燃氣體。**

- ▶ **請小心，熱能可能會傳導至隱蔽的可燃材質，進而點燃起火。**
- ▶ **熱風機每次使用完畢後以靠置座朝下的方式穩固地放置在一旁，待工具完全冷卻後再將它收藏起來。出風口的溫度極高，可能造成物品受損。**
- ▶ **不可放任已啟動的熱風機無人看管。**
- ▶ **請將閒置不用的熱風機儲放在兒童所及範圍之外。請勿將本熱風機交付予不熟悉該產品或未細讀本說明書的人員來進行操作。將本熱風機交給未經訓練的人員使用是危險的做法。**
- ▶ **不得將熱風機暴露在雨中或潮濕環境中。水進入熱風機將增加觸電危險。**
- ▶ **不得濫用電線。絕不能用電線搬運、拉動熱風機或拔出其插頭。請讓電線遠離高熱或油液。受損或纏繞的電線會增加觸電危險。**
- ▶ **請全程佩戴護目鏡。護目鏡可降低受傷風險。**
- ▶ **在進行任何裝置設定、更換配件或貯存熱風機之前，請先將插頭從插座上拔掉。這個預防措施可避免熱風機意外啟動。**
- ▶ **每次使用前，請仔細檢查熱風機、電線及插頭。若有發現任何受損現象，請勿使用熱風機。請勿自行拆開熱風機，而是應該將它交由合格的專業技師以原廠替換零件進行維修。已受損的熱風機、線材和插頭，會提高觸電風險。**



作業區請保持通風良好。作業時所產生的氣體和蒸氣常常是對健康有害。

- ▶ **請戴上防護手套，不要碰觸溫度極高的出風口。可能導致人員灼傷。**
- ▶ **高溫氣流不可以對準人或動物。**
- ▶ **本熱風機不可當作家用吹風機使用。它吹出來的氣流溫度要比家用吹風機高出許多。**
- ▶ **請注意：不得有任何異物進入熱風機。**
- ▶ **請配合加工材質（金屬、塑膠等）及預計進行的加工方式，調整噴管至工件之間的距離。務必先試一下風量和溫度。**
- ▶ **如果無法避免在潮濕環境下操作熱風機，應使用漏電斷路器。安裝漏電斷路器可避免觸電風險。**
- ▶ **切勿使用電線已經損壞的熱風機。如果電源線在工作中受損，千萬不可觸摸損壞的電線，並應立刻拔出插頭。損壞的電線將增加觸電風險。**

產品和功率描述

請留意操作說明書中最前面的圖示。

依規定使用機器

本熱風槍是設計用於塑膠塑形、去除彩色顏料以及加熱收縮軟管。它亦適合用於鉛焊與鍍錫、鬆開膠合黏接處以及解凍水管。

本熱風槍需以手持使用，運作時必須有人看守。

插圖上的機件

機件的編號和熱風槍詳解圖上的編號一致。

- (1) 靠置座
- (2) 電源開關以及熱風檔速

- (3) 吹嘴
- (4) 隔熱套，可拆式
- (5) 扁吹嘴^{a)}
- (6) 玻璃保護吹嘴^{a)}
- (7) 彎頭吹嘴^{a)}
- (8) 反射吹嘴^{a)}
- (9) 縮徑吹嘴^{a)}
- (10) 收縮軟管^{a)}

a) 圖表或說明上提到的配件，並不包含在基本的供貨範圍中。本公司的配件清單中有完整的配件供應項目。

技術性數據

熱風機		GHG 16-50	GHG 18-60
產品機號		3 601 BA6 0..	3 601 BA6 1..
額定輸入功率	W	1600	1800
風量	l/min	240/450	200 ^{A)} /350 ^{A)} /500
吹嘴出風口溫度 ^{B)}	°C	300/500	50 ^{A)} /300 ^{A)} /600
溫度測量準確度		±10 %	±10 %
重量符合 EPTA-Procedure 01:2014	kg	0.52	0.52
絕緣等級		□/II	□/II

A) 隨著溫度從 50 °C 升至 300 °C，風量也會跟著變大。風扇在兩個熱風檔速下的轉數相同。

B) 在 20 °C 環境下

本說明書提供的數值是以 230 伏特為依據，於使用不同電壓的地區，此數據有可能不同。

操作

操作機器

本產品第一次使用時會有煙霧冒出

出廠時金屬表面上會有防鏽塗層。此一保護層會在第一次使用時揮發掉。

製造過程可能使熱風槍的吹嘴 (3) 產生變色。此屬正常現象，非瑕疵問題，並不會影響熱風槍的功能。

啟動

將電源開關 (2) 往上推。

關閉

將電源開關 (2) 往下推至位置 0。

- ▶ **GHG 18-60**：本電動工具高溫運轉較長時間後，請先以 50 °C (冷卻檔速) 的檔速運轉一小段時間進行冷卻，然後再關機。

選擇熱風檔速 (GHG 16-50)

利用電源開關 (2) 即可切換至不同熱風檔速：

GHG 16-50			
等級	熱風檔速	°C	l/min
工作檔速 1		300	240
工作檔速 2		500	450

選擇熱風檔速 (GHG 18-60)

利用電源開關 (2) 即可切換至不同熱風檔速：

GHG 18-60			
等級	熱風檔速	°C	l/min
冷卻檔速		50	200
工作檔速 1		300	350
工作檔速 2		600	500

- ▶ 從冷卻檔速轉切至工作檔速 1 時轉速沒有改變，因此熱風機的運轉噪音聽起來也一樣。

冷卻檔速適合用來冷卻高溫的工件或用來烘乾顏料。它也很適合在將熱風槍關機之前或更換吹嘴接頭之前用來進行冷卻。

作業注意事項

- ▶ 對熱風槍進行任何作業之前，務必將插頭從插座上拔出。

提示：出風口 (3) 不可過於靠近待加工的工件。氣流阻塞會導致熱風槍過熱。

取下隔熱套 (GHG 18-60)

在格外狹窄的位置上作業時，您可將隔熱套 (4) 旋轉後取下。

- ▶ 小心，吹嘴非常燙！拆除隔熱套後，操作機器時容易被燙傷。

請先關閉熱風槍並令其完全冷卻，才可取下或套上隔熱套 (4)。

必要時可讓熱風槍設定在最低溫的檔速下運轉以加速機器冷卻。

將熱風槍關機

當您要讓熱風槍降溫或需要空下雙手來進行其他操作時，請將電動工具豎起以靠置座 (1) 朝下的方式擱放。

▶ **作業時，請特別留意已豎起擱放的熱風槍！** 勿讓高溫的出風口與機器排出的熱氣流燙傷。

請將本熱風槍放置在穩固的平坦表面上。請確保它不會翻覆。將纜線固定在工作範圍之外的位置，以免熱風槍被它絆倒或扯下。

若長時間不使用，請關閉熱風槍並拔下插頭。

操作範例 (請參考圖 A-F)

插圖頁上有操作範例的插圖。

請配合加工材質 (金屬、塑膠等) 及預計進行的加工方式，調整吹嘴至工件之間的距離。

需實際操作才能試出各種應用的理想溫度。

請您一律先測試一下風量和溫度。一開始請您先使用低檔速的熱風並拉開距離。然後再視需求調整距離和熱風檔速。

如果您不確定加工材質或該材質對熱風會有什麼樣的反應，那麼，請您在隱蔽處測試效果。

所有範例中，除了「清除窗框上的漆料」以外，皆可在不使用配件的狀態下施作。但是如果安裝了本公司推薦的配件，不僅能夠減輕工作負擔，更能夠提高工作品質。

▶ **更換出風口時，請務必小心！切勿碰觸高溫出風口。讓熱風機冷卻，更換時請戴上防護手套。** 您可能被高溫的出風口燙傷。

去除烤漆／熔解黏膠 (請參考圖 A)

套上扁吹嘴 (5) (配件)。用熱風稍微吹一下烤漆，使它軟化，接著再用乾淨刮刀將它刮除。如果加熱過久，可能會燒焦油漆，反而使刮漆作業變得更加困難。

許多黏合膠劑會在加熱後變軟。您可在黏膠加熱的狀態下拆開接合處或清除多餘黏膠。

清除窗框上的漆料 (請參考圖 B)

▶ **請您務必使用玻璃保護出風口 (6) (配件)。** 有造成玻璃破裂的危險。

使用合適的刮鏟刮除窗上雕花部位的油漆，接著再使用軟的鋼絲刷刷乾淨。

解凍水管 (請參考圖 C)

▶ **進行加熱之前，請先確認目標是否真的是水管。** 瓦斯管與水管外觀相似不容易分辨，千萬不可以加熱瓦斯管。

裝上彎頭吹嘴 (7) (配件)。加熱內部結凍的部位時，請優先從排水口往入水口的方向加熱。

加熱塑膠管，以及兩個管子的接合處時要特別小心，以免造成損壞。

彎折塑膠管 (請參考圖 D)

套上反射噴管 (8) (配件)。在塑膠硬管裡填充沙料，然後將兩端堵住，這麼做是為了避免硬管凹陷變形。用熱風小心地吹拂硬管，兩側來回移動以求均勻加熱。

軟焊 (請參考圖 E)

進行點焊時，請套上縮徑吹嘴 (9)；焊接管件時，請套上反射吹嘴 (8) (皆為配件)。

如果使用未添加助焊劑的焊料，則必須在焊接位置塗抹焊脂或焊膏。將焊接點加熱並添加焊料。焊料接觸了經過加熱的表面便會熔化。等待焊接處冷卻後再清除助焊劑。

收縮包覆 (請參考圖 F)

套上反射吹嘴 (8) (配件)。使用收縮軟管 (10) (配件) 時，請配合工件選擇適當的直徑。請對收縮軟管均勻加熱，直到它緊緊貼合工件。

維修和服務**維修和清潔**

▶ **對熱風槍進行任何作業之前，務必將插頭從插座上拔出。**

▶ **熱風槍和通風口都必須保持清潔，這樣才能夠提高工作品質和安全性。**

如果必須更換連接線，請務必交由 **Bosch** 或者經授權的 **Bosch** 電動工具顧客服務執行，以避免危害機器的安全性能。

顧客服務處和顧客諮詢中心

本公司顧客服務處負責回答有關本公司產品的維修、維護和備用零件的問題。以下的網頁中有分解圖和備用零件相關資料：www.bosch-pt.com 如果對本公司產品及其配件有任何疑问，博世應用諮詢小組很樂意為您提供協助。

當您需要諮詢或訂購備用零件時，請務必提供本產品型號銘牌上 10 位數的產品機號。

台灣

台灣羅伯特博世股份有限公司
建國北路一段90號6樓
台北市10491
電話: (02) 7734 2588
傳真: (02) 2516 1176
www.bosch-pt.com.tw

製造商地址:

Robert Bosch Power Tools GmbH
羅伯特·博世電動工具有限公司
70538 Stuttgart / GERMANY
70538 斯圖加特/德國

以下更多客戶服務處地址：

www.bosch-pt.com/serviceaddresses

廢棄物處理

必須以符合環保要求的方式處理廢棄的熱風槍、配件和包裝材料。



不可以把熱風槍丟入一般的家庭垃圾中！

ไทย

กฎระเบียบเพื่อความปลอดภัย



อ่านคำเตือนเพื่อความปลอดภัยและคำแนะนำทั้งหมด การไม่ปฏิบัติตามคำเตือนและคำสั่งอาจเป็นสาเหตุให้ถูกไฟฟ้าดูด เกิดไฟไหม้และ/หรือได้รับบาดเจ็บอย่างร้ายแรง

เก็บรักษาคำเตือนเพื่อความปลอดภัยและคำสั่งทั้งหมดสำหรับเปิดอ่านในภายหลัง

- ▶ **ปืนเป่าลมร้อนนี้ไม่ได้มีไว้เพื่อการใช้งานโดยเด็กและบุคคลที่มีความบกพร่องทางกายภาพ ทางประสาทสัมผัส หรือทางจิตใจ หรือบุคคลที่ขาดประสบการณ์และความรู้ เด็กอายุตั้งแต่ 8 ปีขึ้นไปและบุคคลที่มีความบกพร่องทางกายภาพ ทางประสาทสัมผัส หรือทางจิตใจ หรือขาดประสบการณ์และความรู้ สามารถใช้ปืนเป่าลมร้อนนี้ได้ หากได้รับการควบคุมดูแลจากบุคคลที่รับผิดชอบความปลอดภัยของพวกเขาหรือได้รับคำแนะนำเกี่ยวกับขั้นตอนการใช้งานปืนเป่าลมร้อนอย่างปลอดภัยและเข้าใจถึงอันตรายที่เกี่ยวข้อง มิฉะนั้นจะมีอันตรายจากความผิดพลาดในการปฏิบัติงานและได้รับบาดเจ็บ**
- ▶ **ควบคุมดูแลเด็กๆ ในระหว่างการใช้งาน ทำความสะอาด และบำรุงรักษา ทั้งนี้เพื่อให้มั่นใจได้ว่าเด็กๆ จะไม่เล่นปืนเป่าลมร้อน**

▶ **ใช้ปืนเป่าลมร้อนอย่างระมัดระวัง** ปืนเป่าลมร้อนผลิตความร้อนสูง ซึ่งอาจเพิ่มความเสี่ยงต่อการเกิดไฟไหม้และการระเบิด

- ▶ **ใช้ความร้อนเป็นพิเศษเมื่อทำงานใกล้วัตถุไวไฟ** กระแสลมร้อนหรือหัวเป่าที่ร้อนสามารถจุดฝุ่นหรือก๊าซให้ลุกไหม้ได้
- ▶ **อย่าใช้ปืนเป่าลมร้อนทำงานในสภาพแวดล้อมที่เสี่ยงต่อการระเบิด**
- ▶ **อย่าเลี้ยงกระแสลมร้อนไปที่จุดเดียวกันเป็นเวลานาน** อาจเกิดก๊าซที่สามารถเผาไหม้ได้ง่าย ต. ย. เช่น เมื่อทำงานกับพลาสติก สี เคลือบเงา หรือวัสดุที่คล้ายคลึงกัน
- ▶ **โปรดทราบว่าความร้อนสามารถวิ่งเข้าหาวัตถุไวไฟที่ซ่อนอยู่และจุดให้ลุกไหม้ได้**
- ▶ **หลังใช้งาน ให้วางปืนเป่าลมร้อนลงอย่างปลอดภัย และปล่อยให้เครื่องเย็นสนิทบนพื้นผิวสำหรับตั้งก่อนนำไปบรรจุใส่กล่อง** หัวเป่าลมที่ร้อนอาจทำให้เกิดความเสียหาย
- ▶ **อย่าปล่อยให้ปืนเป่าลมร้อนทิ้งไว้ทิ้งๆ ที่เปิดสวิตช์อยู่**
- ▶ **เก็บรักษาปืนเป่าลมร้อนที่ไม่ได้ใช้งานให้พ้นมือเด็ก** อย่าให้บุคคลที่ไม่คุ้นเคยกับปืนเป่าลมร้อนนี้ หรือบุคคลที่ไม่ได้อ่านคำแนะนำนี้ นำเครื่องไปใช้งาน ปืนเป่าลมร้อนเป็นของอันตรายหากตกอยู่ในมือของผู้ใช้ที่ไม่ได้รับการฝึกฝน
- ▶ **อย่าวางปืนเป่าลมร้อนตากฝนหรือทิ้งไว้ในที่ชื้นแฉะ** หากน้ำเข้าไปในปืนเป่าลมร้อนจะเพิ่มความเสี่ยงต่อการถูกไฟฟ้าดูด
- ▶ **อย่าใช้สายไฟฟ้าในทางที่ผิด** อย่าหัวปืนเป่าลมร้อนที่สายไฟฟ้า อย่าใช้สายไฟฟ้าแฉวนเครื่อง หรืออย่าดึงสายไฟฟ้าเพื่อถอดปลั๊ก ไฟฟ้าออกจากเต้าเสียบ กันสายไฟฟ้าออกห่างจากความร้อนหรือน้ำมัน สายไฟฟ้าที่ชำรุดหรือพันกันยุ่งเพิ่มความเสี่ยงจากการถูกไฟฟ้าดูด
- ▶ **สวมแว่นครอบตารักษาเสมอ** แว่นครอบตารักษาช่วยลดความเสี่ยงต่อการบาดเจ็บ
- ▶ **ถอดปลั๊กไฟฟ้ายออกจากเต้าเสียบก่อนทำการปรับแต่งใดๆ ที่เครื่อง** เปลี่ยนอุปกรณ์ประกอบ หรือเก็บปืนเป่าลมร้อนเข้าที่ มาตรการเพื่อความปลอดภัยนี้ช่วยป้องกันการติดปืนเป่าลมร้อนโดยไม่ตั้งใจ
- ▶ **ตรวจสอบปืนเป่าลมร้อน สายไฟฟ้า และปลั๊กไฟฟ้าก่อนใช้งานทุกครั้ง** อย่าใช้ปืนเป่าลมร้อน หากท่านสังเกตเห็นความเสียหาย อย่าเปิดปืนเป่าลมร้อนด้วยตัวเอง และให้ช่างผู้เชี่ยวชาญตรวจสอบและใช้อะไหล่เปลี่ยน

ของแท่นนั้น ปืนเป่าลมร้อน สายไฟฟ้า และปลั๊กไฟฟ้าที่ชำรุดจะเพิ่มความเสี่ยงต่อการถูกไฟฟ้าดูด



จัดให้มีการระบายอากาศที่ดีในสถานที่ทำงานของท่าน ก๊าซและไอระเหยที่เกิดขึ้นในระหว่างการทำงานมักเป็นอันตรายต่อสุขภาพ

- ▶ **สวมถุงมือป้องกันอันตราย และอย่าสัมผัสหัวเป่าลมที่ร้อน** จะมึนตรายจากการเผาไหม้
- ▶ **อย่าเล็งกระแสมลร้อนไปยังคนหรือสัตว์**
- ▶ **อย่าใช้เครื่องมือไฟฟ้าเป็นปืนเป่าลมร้อน** มลร้อนที่เป่าออกมาจะร้อนกว่าที่ออกมาจากเครื่องเป่าผมมาก
- ▶ **ตรวจสอบให้แน่ใจว่าไม่มีวัตถุแปลกปลอมเข้าไปในปืนเป่าลมร้อน**
- ▶ **ระยะห่างจากหัวเป่าไปยังชิ้นงานขึ้นอยู่กับวัสดุที่จะทำงาน (โลหะ พลาสติก ฯลฯ) และรูปแบบการทำงานที่ตั้งใจไว้** ทดสอบปริมาณลมและอุณหภูมิก่อนเสมอ
- ▶ **หากไม่สามารถหลีกเลี่ยงการใช้งานปืนเป่าลมร้อนในสภาพแวดล้อมที่เปียกชื้น ให้ใช้อุปกรณ์ตัดวงจรกระแสเหลือ** การใช้สวิตช์ตัดวงจรเมื่อมีกระแสไฟฟ้ารั่วลงดินช่วยลดความเสี่ยงจากการถูกไฟฟ้าดูด
- ▶ **อย่าใช้ปืนเป่าลมร้อนที่สายไฟฟ้าชำรุด อย่าสัมผัสสายไฟฟ้าที่ชำรุด และดึงปลั๊กไฟฟ้าออกหากสายไฟฟ้าเกิดชำรุดขณะทำงาน** สายไฟฟ้าที่ชำรุดจะเพิ่มความเสี่ยงต่อการถูกไฟฟ้าดูด

รายละเอียดผลิตภัณฑ์และข้อมูลจำเพาะ

กรุณาดูภาพประกอบในส่วนหน้าของคู่มือการใช้งาน

ข้อมูลทางเทคนิค

ปืนเป่าลมร้อน		GHG 16-50	GHG 18-60
หมายเลขสินค้า		3 601 BA6 0..	3 601 BA6 1..
กำลังไฟฟ้าที่ติดตั้งเข้า	วัตต์	1600	1800
การไหลของลม	ลิตร/นาที	240/450	200 ^{A)} /350 ^{A)} /500
อุณหภูมิที่ทางออกหัวเป่าลม ^{B)}	°C	300/500	50 ^{A)} /300 ^{A)} /600
ความแม่นยำการวัดอุณหภูมิ		±10 %	±10 %
น้ำหนักตามระเบียบการ EPTA-Procedure 01:2014	กก.	0.52	0.52
ระดับความปลอดภัย		☐/II	☐/II

A) หมายเหตุ: ปริมาณลมจะเพิ่มขึ้นเมื่ออุณหภูมิเพิ่มขึ้นจาก 50 °C เป็น 300 °C พัดลมจะหมุนด้วยความเร็วเท่ากันในทั้งสองระดับพลังงาน

B) ที่อุณหภูมิโดยรอบ 20 °C

ค่าที่ให้นี้ใช้ได้กับแรงดันไฟฟ้าบ้านมโนล [U] 230 โวลต์ ค่าเหล่านี้อาจเปลี่ยนแปลงไปสำหรับแรงดันไฟฟ้าที่แตกต่างกันและโมเดลที่ผลิตสำหรับเฉพาะประเทศ

ประโยชน์การใช้งานของเครื่อง

ปืนเป่าลมร้อนนี้ใช้สำหรับเชื่อมและเปลี่ยนรูปพลาสติก ชัดลอกสี และอุ่นท่อหด เครื่องนี้ยังเหมาะสำหรับใช้ขัดกรีและเคลือบตีบุก คลายรอยต่อแก้ว และละลายน้ำแข็งที่ท่อน้ำ ปืนเป่าลมร้อนนี้ออกแบบมาสำหรับใช้มือถือและใช้งานภายใต้การกำกับดูแล

ส่วนประกอบที่แสดงภาพ

ลำดับเลขของส่วนประกอบผลิตภัณฑ์อ้างอิงถึงส่วนประกอบของปืนเป่าลมร้อนที่แสดงในหน้าภาพประกอบ

- (1) พื้นผิวที่ตั้ง
- (2) สวิตช์เปิด-ปิด และระดับพลังงาน
- (3) หัวเป่าลม
- (4) ปลอกป้องกันความร้อน ถอดออกได้
- (5) หัวเป่าลมแบบกว้าง^{a)}
- (6) หัวเป่าลมแบบป้องกันกระเจก^{a)}
- (7) หัวเป่าลมแบบมุม^{a)}
- (8) หัวเป่าลมรีเฟล็กเตอร์^{a)}
- (9) หัวเป่าลมลดขนาด^{a)}
- (10) ปลอกหัด^{a)}

a) อุปกรณ์ประกอบที่แสดงภาพหรืออธิบายไม่รวมอยู่ในการจัดส่งมาตรฐาน กรุณาดูอุปกรณ์ประกอบทั้งหมดในรายการแสดงอุปกรณ์ประกอบของเรา

การปฏิบัติงาน

การเริ่มต้นปฏิบัติงาน

การเกิดควันเมื่อใช้งานครั้งแรก

พื้นผิวโลหะได้รับการเคลือบผิวมาจากโรงงานเพื่อป้องกันการกัดกร่อน ชั้นป้องกันนี้จะระเหยเป็นไอเมื่อใช้งานครั้งแรก

ปืนเป่าลมร้อนอาจมีการเปลี่ยนสีบนหัวฉีด (3) อันเป็นผลมาจากกระบวนการผลิต ซึ่งไม่ใช่ความเสียหาย แต่อาจเกิดขึ้นเนื่องจากการทำงานของเครื่องเป่าลมร้อนไม่บกพร่อง

เปิดเครื่องทำงาน

เลื่อนสวิตช์เปิด-ปิด (2) ขึ้น



ปิดเครื่อง

เลื่อนสวิตช์เปิด-ปิด (2) ลงไปที่ตำแหน่ง 0

- ▶ **GHG 18-60:** หลังจากทำงานที่อุณหภูมิสูงเป็นเวลานาน ต้องทำให้เครื่องมือไฟฟ้าเย็นลงโดยปล่อยให้วิ่งที่ระดับพลังงาน 50 °C (ระดับทำงาน) เป็นเวลาสั้นๆ ก่อนปิดสวิตช์




การเลือกระดับพลังงาน (GHG 16-50)

ท่านสามารถใช้สวิตช์เปิด-ปิด (2) เพื่อเลือกระดับพลังงานที่แตกต่างกัน:

GHG 16-50			
ระดับ	ระดับพลังงาน	°C	ลิตร/นาที
ระดับทำงาน 1		300	240
ระดับทำงาน 2		500	450

การเลือกระดับพลังงาน (GHG 18-60)

ท่านสามารถใช้สวิตช์เปิด-ปิด (2) เพื่อเลือกระดับพลังงานที่แตกต่างกัน:

GHG 18-60			
ระดับ	ระดับพลังงาน	°C	ลิตร/นาที
ระดับทำความเย็น		50	200
ระดับทำงาน 1		300	350
ระดับทำงาน 2		600	500

- ▶ **เมื่อเปลี่ยนจากระดับทำความเย็นเป็นระดับทำงาน 1 ความเร็วรอบและเสียงการทำงานของปืนจะไม่เปลี่ยนแปลง**

ระดับทำความเย็นเหมาะสำหรับทำชิ้นงานอุ่นๆ ให้เย็นลง หรือเป่าสีให้แห้ง นอกจากนี้ยังเหมาะสำหรับทำปืนเป่าลมร้อนให้เย็นลงก่อนวางลงบนพื้นหรือเมื่อเปลี่ยนหัวเป่าลม

ข้อแนะนำในการทำงาน

- ▶ **ถอดปลั๊กไฟ** ออกจากเต้าเสียบก่อนทำการปรับแต่งใดๆ ที่ปืนเป่าลมร้อน

หมายเหตุ: ยายนำหัวเป่าลม (3) เข้าใกล้ชิ้นงานมากเกินไป การสะสมของลมร้อนจะทำให้ปืนเป่าลมร้อนมีความร้อนสูงเกินไป

การถอดปลอกป้องกันความร้อน (GHG 18-60)

เมื่อทำงานตรงตำแหน่งที่คับแคบมาก ท่านสามารถถอดปลอกป้องกันความร้อน (4) โดยการหมุนออก

- ▶ **ระวังหัวเป่าลมที่ร้อน!** หากทำงานโดยไม่มีปลอกป้องกันความร้อนจะเพิ่มความเสี่ยงจากการเผาไหม้

หากต้องการถอดหรือติดตั้งปลอกป้องกันความร้อน (4) ให้บิดปืนเป่าลมร้อนและปล่อยให้เย็นลง

เมื่อต้องการทำให้เย็นลงเร็วๆ ให้ปล่อยให้ปืนเป่าลมร้อนวิ่งช่วงสั้นๆ ที่อุณหภูมิต่ำสุดที่จะปรับได้

ปิดใช้งานปืนเป่าลมร้อน

เมื่อต้องการให้ปืนเป่าลมร้อนเย็นลง หรือต้องการให้มือทั้งสองข้างว่างเพื่อทำงาน ให้จับเครื่องวางลงบนพื้นผิวที่ตั้ง (1)

- ▶ **ใช้ความระมัดระวังเป็นพิเศษเมื่อใช้งานปืนเป่าลมร้อนที่วางลง!** ท่านอาจถูกหัวเป่าลมร้อนหรือกระแสลมร้อนเผาไหม้

วางปืนเป่าลมร้อนไฟฟ้าบนพื้นผิวที่ราบเรียบและมั่นคง ตรวจสอบให้แน่ใจว่าเครื่องจะไม่ล้มคว่ำ เอาสายไฟฟ้าออกนอกบริเวณทำงานของท่านเพื่อที่จะไม่ไปกระชากปืนเป่าลมร้อนให้ล้มหรือดึงเครื่องลง

ปิดสวิตช์ปืนเป่าลมร้อนเมื่อไม่ใช้งานเป็นเวลานานและถอดปลั๊กไฟ

ตัวอย่างการปฏิบัติงาน (ดูภาพประกอบ A-F)

ดูรูปภาพตัวอย่างการปฏิบัติงานได้จากหน้าภาพประกอบ ระยะห่างจากหัวเป่าลมไปยังชิ้นงานขึ้นอยู่กับวัสดุที่ท่านกำลังทำงานอยู่ (โลหะ พลาสติก ฯลฯ) และวิธีการทำงานที่ตั้งใจไว้

อุณหภูมิที่เหมาะสมที่สุดสำหรับงานที่เกี่ยวข้อง สามารถกำหนดได้จากการทดลองปฏิบัติ

ทำการทดสอบเกี่ยวกับการไหลของลมและอุณหภูมิก่อนเสมอ ให้เริ่มต้นด้วยระยะที่ห่างกว่าและระดับพลังงานต่ำ จากนั้นให้ปรับระยะห่างและระดับพลังงานตามต้องการ

หากท่านไม่แน่ใจเกี่ยวกับชนิดของวัสดุที่ท่านกำลังทำงานอยู่ หรือเกี่ยวกับผลจากลมร้อนที่มีต่อวัสดุ ให้ทดสอบผลตรงจุดที่ซ่อนเร้นก่อน

ท่านสามารถทำงานตามตัวอย่างการปฏิบัติงานทั้งหมดได้โดยไม่ต้องใช้อุปกรณ์ประกอบ ยกเว้น "การเอาเคลือบงา/สีออก

จากกรอบหน้าต่าง" อย่างไรก็ตาม การใช้อุปกรณ์ประกอบที่แนะนำจะช่วยให้ทำงานได้ง่ายขึ้น และปรับปรุงคุณภาพของผลงานให้ดียิ่งขึ้น

- ▶ **ใช้ความระมัดระวังเมื่อเปลี่ยนหัวเป่าลม! อย่าสัมผัสหัวเป่าลมที่ร้อนอยู่ ปล่อยให้เย็นลงและสวมถุงมือป้องกันขณะเปลี่ยนหัวเป่าลม ท่านอาจถูกหัวเป่าลมที่ร้อนอยู่เผาไหม้**

การเอาเคลือบเงาออก/การคลายกาวออก (รูปภาพประกอบ A)

สวมหัวเป่าลมแบบกว้าง (5) (อุปกรณ์ประกอบ) เข้า เป่าลมร้อนเพื่อทำเคลือบเงาให้นุ่มลื่นชั่วคราว และแช่เคลือบเงาออกด้วยเครื่องมือชุดที่สะอาด การเป่าลมร้อนนานเกินไปจะเผาไหม้เคลือบเงา ทำให้เอาออกยากยิ่งขึ้น

กาวหลายชนิดจะอ่อนตัวเมื่อถูกความร้อน สำหรับกาวที่อุ่นแล้ว ท่านสามารถแยกการเชื่อมต่อออกจากกัน หรือเอากาวส่วนเกินออกไป

การเอาเคลือบเงา/สีออกจากกรอบหน้าต่าง (รูปภาพประกอบ B)

- ▶ **ท่านจำเป็นต้องใช้หัวเป่าลมแบบป้องกันกระຈก (6) (อุปกรณ์ประกอบ)** อันตรายจากกระຈกแตก

บนพื้นผิวที่เป็นโครโคร่ง ท่านสามารถแช่เคลือบเงาออกได้โดยใช้เกียง (Spatula) ที่เหมาะสม และแปรงออกด้วยแปรงลวดอ่อน

การละลายน้ำแข็งที่หน้า (รูปภาพประกอบ C)

- ▶ **ก่อนเป่าลมร้อนที่ท่อ ให้ตรวจสอบให้แน่ใจว่าน้ำแข็งที่หน้าจริง ๆ** ท่อน้ำมักจะมึลพิษขณะภายนอกไม่แตกต่างจากท่อก๊าซ ห้ามเป่าลมร้อนที่ท่อก๊าซในทุกกรณี

สวมหัวเป่าลมแบบมุม (7) (อุปกรณ์ประกอบ) เข้า เป่าลมร้อนที่โซ่ที่เป็นน้ำแข็ง โดยเฉพาะอย่างยิ่งจากด้านนอกไปยังด้านใน

เป่าลมร้อนที่ท่อพลาสติกรวมทั้งการเชื่อมต่อระหว่างชั้นท่อด้วยความระมัดระวังเป็นพิเศษเพื่อป้องกันความเสียหาย

การเปลี่ยนรูปท่อพลาสติก (รูปภาพประกอบ D)

สวมหัวเป่าลมรีเฟล็กเตอร์ (8) (อุปกรณ์ประกอบ) เข้า เพื่อหลีกเลี่ยงการหักงอของท่อ ให้เติมท่อพลาสติกด้วยทรายและบีตรูปลายทั้งสอง เป่าลมร้อนที่ท่อให้ทั่วกันอย่างรวดเร็วโดยเคลื่อนด้านข้างไปมา

การบัดกรีอ่อน (รูปภาพประกอบ E)

สำหรับการบัดกรีแบบจุด ให้สวมหัวเป่าลมลดขนาด (9) เข้า สำหรับการบัดกรีท่อ ให้สวมหัวเป่าลมรีเฟล็กเตอร์ (8) (ทั้งสองเป็นอุปกรณ์ประกอบ) เข้า

หากใช้โลหะบัดกรีแบบไม่มีน้ำยาประสาน (flux) ให้แถมครีมหรือน้ำยาประสานสำหรับบัดกรีตรงตำแหน่งที่จะบัดกรี อุณหภูมิ

ต่อประสานและเพิ่มบัดกรี โลหะบัดกรีต้องหลอมละลายจากอุณหภูมิชิ้นงาน

เมื่อตำแหน่งที่บัดกรีเย็นลงแล้ว ให้เอาน้ำยาประสานออกไป

การทาด (รูปภาพประกอบ F)

สวมหัวเป่าลมรีเฟล็กเตอร์ (8) (อุปกรณ์ประกอบ) เข้า เลือกเส้นผ่าศูนย์กลางของปลอกทาด (10) (อุปกรณ์ประกอบ) ตามชิ้นงาน เป่าลมร้อนที่ปลอกทาดให้ทั่วกันจนปลอกทาดแนบสนิทพอดีกับชิ้นงาน

การบำรุงรักษาและการบริการ

การบำรุงรักษาและการทำความสะอาด

- ▶ **ถอดปลั๊กไฟ** ออกจากเต้าเสียบก่อนทำการปรับแต่งใดๆ ที่เป็นเป่าลมร้อน
- ▶ **เพื่อให้ปืนเป่าลมร้อนทำงานได้อย่างถูกต้องและปลอดภัย ต้องรักษาเครื่องและช่องระบายอากาศให้สะอาดอยู่เสมอ**

หากจำเป็นต้องเปลี่ยนสายไฟฟ้า ต้องส่งเครื่องให้ Bosch หรือศูนย์บริการหลังการขายที่ได้รับมอบหมายสำหรับเครื่องมือไฟฟ้า Bosch เปลี่ยนให้ ทั้งนี้เพื่อหลีกเลี่ยงอันตราย

การบริการหลังการขายและการให้คำปรึกษาการใช้งาน

ศูนย์บริการหลังการขายของเรายินดีตอบคำถามของท่านที่เกี่ยวกับการบำรุงรักษาและการซ่อมแซมผลิตภัณฑ์รวมทั้งเรื่องอะไหล่ ภาพเขียนแบบการประกอบและข้อมูลเกี่ยวกับอะไหล่ กรุณาดูใน: www.bosch-pt.com ที่งานที่ปรึกษาของ บอช ยินดีให้ข้อมูลเกี่ยวกับผลิตภัณฑ์ของเราและอุปกรณ์ประกอบต่างๆ

เมื่อต้องการสอบถามและสั่งซื้ออะไหล่ กรุณาแจ้งหมายเลขสินค้า 10 หลักบนแผ่นป้ายรุ่นของผลิตภัณฑ์ทุกครั้ง

ไทย

ไทย บริษัท โรเบิร์ต บอช จำกัด

เอพวยไอ เซ็นเตอร์ อาคาร 1 ชั้น 5

เลขที่ 2525 ถนนพระราม 4

แขวงคลองเตย เขตคลองเตย กรุงเทพฯ 10110

โทร: +66 2012 8888

แฟกซ์: +66 2064 5800

www.bosch.co.th

ศูนย์บริการซ่อมและฝึกอบรม บอช

อาคาร ลานชาลาทาวเวอร์ ชั้น G ห้องเลขที่ 2

บ้านเลขที่ 10/11 หมู่ 16

ถนนศรีนครินทร์ ตำบลบางแก้ว อำเภอบางพลี

จังหวัดสมุทรปราการ 10540

ประเทศไทย
โทรศัพท์ 02 7587555
โทรสาร 02 7587525

สามารถดูที่อยู่ศูนย์บริการอื่นๆ ได้ที่:

www.bosch-pt.com/serviceaddresses

การกำจัดขยะ

ปืนเป่าลมร้อน อุปกรณ์ประกอบ และที่บ่มท่อ ต้องนำไปแยกประเภทวัสดุเพื่อนำกลับมาใช้ใหม่โดยไม่ทำลายสภาพแวดล้อม



อย่าทิ้งปืนเป่าลมร้อนชาร์จแบตเตอรี่ลงในขยะบ้าน!

Bahasa Indonesia

Petunjuk Keselamatan



Bacalah semua petunjuk keselamatan dan petunjuk penggunaan. Kesalahan dalam menjalankan petunjuk keselamatan dan petunjuk penggunaan dapat mengakibatkan kontak listrik, kebakaran dan/atau luka-luka yang berat. Simpan semua peringatan dan petunjuk kerja untuk keperluan di waktu yang akan datang.

- ▶ **Pistol udara panas ini tidak dirancang untuk digunakan oleh anak-anak dan orang dengan keterbatasan fisik, sensorik atau mental atau yang kurang pengalaman dan pengetahuan. Pistol udara panas ini dapat digunakan oleh anak-anak mulai umur 8 tahun dan orang dengan keterbatasan fisik, sensorik atau mental atau yang kurang pengalaman dan pengetahuan selama mereka diawasi oleh seseorang yang bertanggung jawab atau diberi pengarahan mengenai cara penggunaan pistol**

udara panas yang aman dan mereka mengerti bahaya yang mungkin terjadi. Jika tidak, terdapat risiko kesalahan pengoperasian dan cedera.

- ▶ **Awasi anak-anak Anda saat penggunaan, pembersihan, dan pemeliharaan.** Hal itu memastikan anak-anak tidak bermain dengan mesin kipas angin.
- ▶ **Perlakukan pistol udara panas ini dengan hati-hati.** Pistol udara panas ini memproduksi panas yang tinggi yang dapat menimbulkan risiko kebakaran dan risiko ledakan yang tinggi.
- ▶ **Berhati-hatilah saat sedang bekerja di dekat bahan yang mudah terbakar.** Aliran udara panas dan hawa panas dapat memercikkan api terhadap debu dan gas.
- ▶ **Jangan mengoperasikan pistol udara panas di area yang berpotensi memicu ledakan.**
- ▶ **Jangan menggunakan aliran udara panas dalam waktu yang lama dan pada lokasi yang sama.** Gas yang berpotensi menyulut api dapat sangat muncul, misalnya saat sedang dalam proses pengerjaan pada plastik, warna, cat, atau bahan yang sejenis.
- ▶ **Perhatikan apakah terdapat panas pada bahan-bahan mudah terbakar yang sedang dalam proses pengerjaan dan apakah bahan tersebut dapat memercikkan api.**
- ▶ **Setelah digunakan, letakkan pistol udara panas dengan aman di rak penyimpanan dan biarkan menjadi dingin sebelum disimpan.** Nozel yang panas dapat menyebabkan kerusakan.
- ▶ **Jangan meninggalkan pistol udara panas yang dihidupkan tanpa pengawasan.**
- ▶ **Simpan pistol udara panas yang tidak digunakan di luar jangkauan anak-anak. Jangan biarkan seseorang yang tidak mengenal pistol udara panas atau belum membaca petunjuk menggunakan pistol ini.** Pistol udara panas berbahaya jika digunakan oleh seseorang yang tidak berpengalaman.
- ▶ **Jauhkan pistol udara panas dari hujan atau basah.** Air yang masuk ke dalam pistol udara panas akan meningkatkan risiko terjadinya sengatan listrik.
- ▶ **Jangan menyalahgunakan kabel untuk mengangkat dan menggantungkan pistol udara panas atau untuk menarik steker dari stopkontak.** Jauhkan kabel dari

panas atau minyak. Kabel yang rusak atau terlilit dapat meningkatkan risiko terjadinya sengatan listrik.

- ▶ **Pakailah selalu kacamata pelindung.** Kacamata pelindung mengurangi risiko cedera.
- ▶ **Lepaskan plug dari stopkontak sebelum menjalankan pengaturan perangkat, ganti komponen aksesoris atau simpan pistol udara panas.** Tindakan keselamatan kerja ini menghindarkan pistol udara panas hidup tanpa disengaja.
- ▶ **Periksa pistol udara panas, kabel, dan steker setiap sebelum digunakan. Jangan menggunakan pistol udara panas jika terlihat adanya kerusakan. Jangan membuka sendiri pistol udara panas dan hanya lakukan perbaikan pistol udara panas oleh teknisi ahli dan hanya dengan menggunakan suku cadang yang asli.** Pistol udara panas, kabel, dan steker yang rusak meningkatkan risiko terjadinya sengatan listrik.



Beri sirkulasi udara yang baik pada tempat kerja Anda. Saat bekerja, gas dan uap yang terdapat di sana seringkali memberikan dampak terhadap kesehatan.

- ▶ **Pakailah sarung tangan pelindung dan jangan menyentuh nozel yang panas.** Terdapat risiko kebakaran.
- ▶ **Jangan mengarahkan aliran udara panas kepada orang atau hewan peliharaan.**
- ▶ **Jangan menggunakan pistol udara panas sebagai alat pengering rambut.** Aliran udara yang keluar memiliki panas yang luar biasa dibandingkan alat pengering rambut.
- ▶ **Pastikan tidak ada benda asing yang masuk ke dalam pistol udara panas.**
- ▶ **Jarak nozel ke benda kerja disesuaikan dengan material yang dikerjakan (logam, plastik, dsb.) dan jenis pekerjaan yang diinginkan.** Selalu lakukan uji coba terlebih dulu terkait volume udara dan suhu.
- ▶ **Jika pengoperasian pistol udara panas di tempat yang lembap tidak dapat dihindari, gunakan pemutus sirkuit arus.** Pemakaian pemutus sirkuit arus mengurangi risiko sengatan listrik.

Data teknis

Pistol udara panas		GHG 16-50	GHG 18-60
Nomor seri		3 601 BA6 0..	3 601 BA6 1..
Input daya nominal	W	1600	1800
Kuantitas udara	l/min	240/450	200 ^{a)} /350 ^{a)} /500
Suhu pada outlet nozel ^{b)}	°C	300/500	50 ^{a)} /300 ^{a)} /600
Keakuratan pengukuran suhu		±10 %	±10 %
Berat sesuai dengan EPTA-Procedure 01:2014	kg	0,52	0,52

- ▶ **Jangan gunakan pistol udara panas jika kabel rusak. Jangan menyentuh kabel yang rusak dan tariklah steker dari stopkontak jika kabel rusak selama digunakan.** Kabel yang rusak dapat meningkatkan risiko terjadinya sengatan listrik.

Spesifikasi produk dan performa

Perhatikan ilustrasi yang terdapat pada bagian depan panduan pengoperasian.

Tujuan penggunaan

Heat gun ini cocok untuk mengubah bentuk dan mengelas bahan sintetis, mengelupas lapisan cat, dan memanaskan slang heat-shrink. Perkakas listrik ini juga sesuai untuk menyolder dan melapisi dengan timah, melepaskan sambungan berperekat, dan melelehkan beku pada pipa air. Heat gun dirancang untuk penggunaan dengan tangan dan memerlukan pengawasan.

Ilustrasi komponen

Nomor pada ilustrasi komponen berikut mengacu pada ilustrasi heat gun di halaman gambar.

- (1) Permukaan kerja
 - (2) Switch on/off dan level daya
 - (3) Nozel
 - (4) Insulasi panas, dapat dilepas
 - (5) Nozel pipih^{a)}
 - (6) Nozel pelindung kaca^{a)}
 - (7) Nozel sudut^{a)}
 - (8) Nozel reflektor^{a)}
 - (9) Nozel reduksi^{a)}
 - (10) Slang heat-shrink (dapat menyusut saat terkena panas)^{a)}
- a) **Aksesoris yang ada pada gambar atau yang dijelaskan tidak termasuk dalam lingkup pengiriman standar. Semua aksesoris yang ada dapat Anda lihat dalam program aksesoris kami.**

Pistol udara panas	GHG 16-50	GHG 18-60
Klasifikasi keamanan	 /II	 /II

A) Kuantitas udara akan meningkat akibat peningkatan suhu dari 50 °C menjadi 300 °C. Kipas akan berputar pada kecepatan yang sama di kedua level daya.

B) Pada suhu lingkungan 20 °C

Data-data berlaku untuk tegangan nominal [U] 230 V. Pada tegangan yang berbeda dan pada model khusus tiap negara data-data ini dapat bervariasi.

Penggunaan

Cara penggunaan

Emisi asap pada start-up pertama

Permukaan logam dilindungi dengan lapisan antikorosi dari pabrikan. Lapisan pelindung ini akan menguap pada pengoperasian pertama.

Heat gun dapat mengalami perubahan warna pada bagian nozel (3) yang disebabkan oleh proses produksi. Hal ini bukanlah kerusakan dan fungsi heat gun tidak akan terganggu.

Menghidupkan perkakas listrik

Geser tombol on/off (2) ke atas.



Mematikan perkakas listrik

Geser tombol on/off (2) ke bawah ke posisi 0.

- **GHG 18-60: Setelah digunakan dalam waktu yang lama dengan suhu tinggi, biarkan perkakas listrik beroperasi sebentar pada suhu 50 °C (level pendinginan) untuk pendinginan sebelum dimatikan.**




Memilih tingkat daya (GHG 16-50)

Melalui tombol on/off (2) Anda dapat mengganti berbagai tingkat daya:

GHG 16-50			
Level	Tingkat daya	°C	l/min
Level kerja 1		300	240
Level kerja 2		500	450

Memilih tingkat daya (GHG 18-60)

Melalui tombol on/off (2) Anda dapat mengganti berbagai tingkat daya:

GHG 18-60			
Level	Tingkat daya	°C	l/min
Level pendinginan		50	200
Level kerja 1		300	350
Level kerja 2		600	500

- **Saat beralih dari level pendinginan ke level kerja 1, kecepatan putaran dan suara pengoperasian pada blower tidak akan berubah.**

Level pendinginan sesuai untuk mendinginkan benda kerja yang panas atau untuk mengeringkan cat. Level tersebut juga sesuai untuk mendinginkan heat gun sebelum dimatikan atau sebelum mengganti nozel.

Petunjuk pengoperasian

- **Sebelum memulai pengerjaan apa pun pada heat gun, lepas steker dari stopkontak.**

Catatan: Jangan meletakkan nozel (3) terlalu dekat dengan benda kerja. Aliran udara yang tidak lancar dapat menyebabkan heat gun menjadi terlalu panas.

Melepaskan insulasi panas (GHG 18-60)

Untuk pengerjaan di tempat yang sangat sempit, insulasi panas (4) dapat dilepas dengan cara diputar.

- **Hati-hati terhadap nozel yang panas!** Terdapat risiko luka bakar yang tinggi saat bekerja tanpa menggunakan insulasi panas.

Untuk melepaskan atau memasang insulasi panas (4), matikan heat gun dan biarkan menjadi dingin.

Agar heat gun menjadi dingin lebih cepat, biarkan heat gun beroperasi sebentar pada suhu terendah yang dapat diatur.

Mematikan heat gun

Matikan heat gun dan letakkan di permukaan kerja (1) untuk mendinginkan atau untuk melanjutkan pekerjaan dengan kedua tangan.

- **Bekerjalah dengan sangat hati-hati saat heat gun dimatikan!** Terdapat risiko luka bakar akibat nozel atau aliran udara yang panas.

Posisikan heat gun pada permukaan yang datar dan stabil. Pastikan perkakas listrik tidak dapat terjatuh. Pastikan kabel berada di luar area pengerjaan sehingga kabel tidak dapat menarik dan membuat heat gun terjatuh.

Matikan heat gun jika tidak digunakan dalam waktu yang lama dan lepaskan steker.

Contoh penggunaan (lihat gambar A-F)

Gambar-gambar dari contoh penggunaan terdapat pada halaman bergambar.

Jarak nozel dengan benda kerja disesuaikan dengan material yang dikerjakan (logam, plastik, dsb.) dan jenis pengerjaan yang diinginkan.

Suhu optimal untuk tiap pemakaian ditentukan dengan uji coba.

Selalu lakukan uji coba terlebih dulu terkait volume udara dan suhu. Mulai dengan jarak yang lebih besar dan level daya yang rendah. Sesuaikan jarak dan level daya sesuai kebutuhan.

Jika Anda ragu dengan jenis material yang dikerjakan atau dampak udara panas terhadap material, maka lakukanlah uji coba terhadap efeknya di area yang tersembunyi.

Anda dapat bekerja tanpa aksesoris untuk semua contoh penggunaan kecuali "Membersihkan cat pada bingkai

jendela". Akan tetapi dengan menggunakan aksesoris yang disarankan, pekerjaan menjadi lebih mudah dan hasil kerja menjadi jauh lebih bagus.

- ▶ **Hati-hati saat mengganti nozel! Jangan menyentuh nozel yang panas. Biarkan heat gun menjadi dingin dan kenakan sarung tangan pelindung saat mengganti nozel.** Nozel yang panas dapat mengakibatkan luka bakar.

Menghapus cat/perekat (lihat gambar A)

Pasang nozel pipih (5) (aksesori). Lunakkan cat sebentar dengan udara panas dan bersihkan cat dengan alat pengerik yang bersih. Paparan udara panas yang lama akan membakar cat sehingga menyulitkan proses pembersihan. Lem perekat yang banyak akan menjadi lunak akibat panas. Pada perekat yang telah dipanaskan, sambungan dapat dilepaskan atau perekat yang berlebih dapat dibersihkan.

Membersihkan cat pada bingkai jendela (lihat gambar B)

- ▶ **Gunakan nozel pelindung kaca (6) (aksesori).** Kaca jendela bisa pecah.

Pada permukaan yang berlekuk, cat dapat dibersihkan dengan pengikis yang sesuai dan disikat dengan sikat kawat yang lunak.

Mencairkan es dalam saluran air (lihat gambar C)

- ▶ **Sebelum dipanaskan, periksa apakah pipa yang akan dipanaskan benar-benar merupakan pipa air.** Pipa gas seringkali dipandang sebagai pipa air. Jangan sekali-kali memanaskan pipa gas.

Pasang nozel sudut (7) (aksesori). Panaskan area yang membeku terutama dari outlet dalam saluran intake.

Pipa berbahan sintetis serta sambungan antar pipa harus dipanaskan dengan sangat hati-hati agar tidak terjadi kerusakan.

Mengubah bentuk pipa berbahan sintetis (lihat gambar D)

Pasang nozel reflektor (8) (aksesori). Isi pipa berbahan sintetis dengan pasir dan tutup pipa pada kedua sisinya agar tidak bengkok. Panaskan pipa dengan hati-hati dan merata dan gerakkan maju mundur pada sisi-sisinya.

Menyolder (lihat gambar E)

Pasang nozel reduksi untuk menyolder suatu titik (9), dan nozel reflektor (8) untuk menyolder pipa (kedua aksesoris). Jika digunakan bahan tambahan tanpa obat solder, berikan minyak atau pasta solder pada tempat yang disolder. Panaskan area yang disolder lalu aplikasikan solder. Bahan tambahan akan mencair akibat suhu benda kerja. Setelah tempat yang disolder menjadi dingin, bersihkan obat solder.

Penyusutan (lihat gambar F)

Pasang nozel reflektor (8) (aksesori). Pilih diameter slang heat-shrink (10) (aksesori) yang sesuai dengan benda kerja. Panaskan slang heat-shrink secara merata hingga membungkus erat benda kerja.

Perawatan dan servis

Perawatan dan pembersihan

- ▶ **Sebelum memulai pengerjaan apa pun pada heat gun, lepas steker dari stopkontak.**
- ▶ **Jaga kebersihan heat gun dan lubang ventilasi agar perkakas dapat digunakan dengan baik dan aman.**

Jika kabel listrik harus diganti, pekerjaan ini harus dilakukan oleh **Bosch** atau Service Center untuk perkakas listrik **Bosch** resmi agar keselamatan kerja selalu terjamin.

Layanan pelanggan dan konsultasi penggunaan

Layanan pelanggan Bosch menjawab semua pertanyaan Anda tentang reparasi dan perawatan serta tentang suku cadang produk ini. Gambaran teknis (exploded view) dan informasi mengenai suku cadang dapat ditemukan di:

www.bosch-pt.com

Tim konsultasi penggunaan Bosch akan membantu Anda menjawab pertanyaan seputar produk kami beserta aksesorinya.

Jika Anda hendak menanyakan sesuatu atau memesan suku cadang, selalu sebutkan nomor model yang terdiri dari 10 angka dan tercantum pada label tipe produk.

Indonesia

PT Robert Bosch
Palma Tower 10th Floor
Jalan RA Kartini II-S Kaveling 6
Pondok Pinang, Kebayoran Lama
Jakarta Selatan 12310
Tel.: (021) 3005 5800
Fax: (021) 3005 5801
E-Mail: boschpowertools@id.bosch.com
www.bosch-pt.co.id

Alamat layanan lainnya dapat ditemukan di:

www.bosch-pt.com/serviceaddresses

Cara membuang

Heat gun, aksesoris, dan kemasan harus didaur ulang secara ramah lingkungan.



Jangan membuang heat gun ke dalam sampah rumah tangga!

Tiếng Việt


Hướng dẫn an toàn



Đọc kỹ mọi cảnh báo an toàn và mọi hướng dẫn. Không tuân thủ mọi cảnh báo và hướng dẫn được liệt kê dưới đây có thể bị điện giật, gây cháy và / hay bị thương tật nghiêm trọng.

Hãy giữ tất cả tài liệu về cảnh báo và hướng dẫn để tham khảo về sau.

- ▶ **Loại quạt gió thổi nóng này không nhằm mục đích sử dụng cho trẻ em và những người bị hạn chế về thể chất, tinh thần hoặc thiếu nhận biết hoặc thiếu kinh nghiệm hoặc thiếu kiến thức. Quạt gió thổi nóng này có thể dành cho trẻ em từ 8 tuổi trở lên và người bị hạn chế về thể chất, khả năng giác quan kém hoặc tâm thần hoặc thiếu kinh nghiệm và thiếu hiểu biết sử dụng, chỉ khi họ được một người chịu trách nhiệm cho sự an toàn của họ giám sát hoặc đã được người này hướng dẫn sử dụng quạt gió thổi nóng trong môi trường an toàn và hiểu được những nguy hiểm có liên quan.** Nếu không sẽ có nguy cơ sai sót khi vận hành và bị thương tích.
- ▶ **Hãy giám sát trẻ nhỏ khi sử dụng, làm sạch và bảo dưỡng.** Để đảm bảo rằng, trẻ em không chơi với quạt gió thổi nóng này.
- ▶ **Sử dụng súng phun hơi nóng cẩn thận.** Súng phun hơi nóng tạo ra sức nóng mạnh, mà có thể dẫn đến nguy cơ cháy và nổ.
- ▶ **Hãy cẩn thận, nếu bạn làm việc ở gần các chất dễ cháy.** Dòng khí nóng hoặc vòi phun nóng có thể đốt cháy bụi hoặc khí.

- ▶ **Không làm việc với súng phun hơi nóng trong môi trường dễ nổ.**
 - ▶ **Không chia dòng khí nóng cùng vào một chỗ trong thời gian dài.** Các khí dễ cháy có thể xuất hiện khi gia công nhựa, màu, sơn hoặc chất tương tự.
 - ▶ **Hãy chú ý rằng hơi nóng có thể được dẫn đến các chất dễ cháy bị che khuất và đốt cháy chúng.**
 - ▶ **Sau khi sử dụng, hãy đặt súng phun hơi nóng chắc chắn và để mát hoàn toàn trên giá đỡ trước khi đóng gói mang đi.** Vòi phun nóng có thể gây hư hỏng.
 - ▶ **Không bỏ mặc súng phun hơi nóng đang bật.**
 - ▶ **Cất giữ súng phun hơi nóng không dùng tới nơi trẻ em không lấy được.** Và không cho người chưa từng biết súng phun hơi nóng hay các hướng dẫn này sử dụng súng phun hơi nóng. Súng phun hơi nóng sẽ gây nguy hiểm, nếu chúng được sử dụng bởi người không có kinh nghiệm.
 - ▶ **Giữ súng phun hơi nóng tránh xa mưa hoặc ẩm ướt.** Nước xâm nhập vào súng phun hơi nóng sẽ làm tăng nguy cơ điện giật.
 - ▶ **Không lạm dụng dây cáp để mang súng phun hơi nóng, treo nó lên hoặc để rút phích cắm khỏi ổ cắm.** Giữ cho dây cáp tránh xa nguồn nhiệt, dầu. Cáp bị hỏng hoặc bị rơi làm tăng nguy cơ bị điện giật.
 - ▶ **Luôn mang kính bảo hộ.** Kính bảo hộ sẽ giảm thiểu nguy cơ bị thương.
 - ▶ **Rút phích cắm ra khỏi nguồn điện trước khi tiến hành bất kỳ điều chỉnh nào, thay phụ kiện, hay cất súng phun hơi nóng.** Các biện pháp ngăn ngừa như vậy làm giảm nguy cơ súng phun hơi nóng khởi động bất ngờ.
 - ▶ **Kiểm tra súng phun hơi nóng, cáp và phích cắm trước mỗi lần sử dụng.** Không được sử dụng súng phun hơi nóng nếu phát hiện có hư hỏng. Hãy tự mở súng phun hơi nóng và nhờ một người có năng lực sửa chữa và chỉ sử dụng các bộ phận dự phòng chính hãng. Súng phun hơi nóng, cáp và phích cắm bị hỏng làm tăng nguy cơ bị điện giật.
- 
- Thông khí nơi làm việc của bạn.** Khi làm việc khí và hơi xuất hiện thường gây hại sức khỏe.
- ▶ **Mang găng tay bảo vệ và không chạm vào vòi phun nóng.** Có nguy cơ cháy.
 - ▶ **Không chia dòng khí nóng vào người hoặc động vật.**
 - ▶ **Chỉ sử dụng súng phun hơi nóng làm máy sấy tóc.** Dòng khí trào ra sẽ nóng hơn khi ở máy sấy tóc.
 - ▶ **Đảm bảo rằng không có vật lạ ở trong súng phun hơi nóng.**

- ▶ **Khoảng cách của vòi phun đến phiê gia công tùy thuộc vào nguyên liệu được gia công (Kim loại, nhựa, vv.) và kiểu gia công.** Luôn kiểm tra luồng không khí và nhiệt độ.
- ▶ **Nếu việc sử dụng súng phun hơi nóng ở nơi ẩm ướt là không thể tránh được, hãy dùng bộ ngắt dòng điện sự cố.** Việc sử dụng bộ ngắt dòng điện sự cố sẽ làm giảm nguy cơ điện giật.
- ▶ **Không bao giờ được sử dụng súng phun hơi nóng có dây dẫn bị hỏng. Không được chạm vào dây dẫn bị hỏng và kéo phích cắm điện nguồn ra trong lúc vận hành mà dây dẫn bị hỏng.** Dây dẫn bị hỏng làm tăng nguy cơ bị điện giật.

Mô Tả Sản Phẩm và Đặc Tính Kỹ Thuật

Xin lưu ý các hình minh hoạt trong phần trước của hướng dẫn vận hành.

Sử dụng đúng cách

Súng phun hơi nóng được thiết kế để tạo dáng, hàn nhựa mũ, loại bỏ sơn và làm nóng loại ống co nhiệt. Nó cũng phù hợp để hàn điện và mạ thiếc,

Thông số kỹ thuật

Súng Phun Hơi Nóng		GHG 16-50	GHG 18-60
Mã số máy		3 601 BA6 0..	3 601 BA6 1..
Công suất vào danh định	W	1600	1800
Luồng khí	l/min	240/450	200 ^{A)} /350 ^{A)} /500
Nhiệt độ ở đầu ra vòi phun ^{B)}	°C	300/500	50 ^{A)} /300 ^{A)} /600
Độ chính xác đo nhiệt độ		±10 %	±10 %
Trọng lượng theo Qui trình EPTA-Procedure 01:2014	kg	0,52	0,52
Cấp độ bảo vệ		□/II	□/II

A) Luồng khí tăng lên do nhiệt độ tăng từ 50 °C lên 300 °C. Quạt thông gió xoay nhanh đều ở cả hai mức công suất.

B) Ở nhiệt độ xung quanh 20 °C

Các giá trị đã cho có hiệu lực cho điện thế danh định [U] 230 V. Đối với điện thế thấp hơn và các loại máy dành riêng cho một số quốc gia, các giá trị này có thể thay đổi.

Vận Hành

Bắt Đầu Vận Hành

Khởi bốc ra ở lần vận hành đầu tiên

Các bề mặt kim loại có lớp phủ được chống mòn tại xưởng. Lớp bảo vệ này bốc hơi ở lần vận hành đầu tiên.

Súng phun hơi nóng có thể bị đổi màu trên vòi ống (3). Đó không phải hư hỏng, chức năng của súng phun hơi nóng không bị ảnh hưởng.

Mở công tắc

Hãy nhấn công tắc bật/tắt (2) lên trên.

nới lỏng các mối nối keo và làm tan băng của đường ống nước.

Súng phun hơi nóng được thiết kế để sử dụng bằng tay có giám sát.

Các bộ phận được minh họa

Sự đánh số các đặc điểm của sản phẩm để tham khảo hình minh họa của súng phun hơi nóng trên trang hình ảnh.

- (1) Bề mặt để dựng đứng
- (2) Công tắc bật/tắt và các mức công suất
- (3) Vòi ống
- (4) Chống nhiệt, có thể tháo
- (5) Vòi phun det^{a)}
- (6) Vòi chụp^{a)}
- (7) Vòi dạng góc^{a)}
- (8) Vòi phun bộ phản xạ^{a)}
- (9) Vòi thuôn nhỏ^{a)}
- (10) Ống co ngót^{a)}

a) Phụ tùng được trình bày hay mô tả không phải là một phần của tiêu chuẩn hàng hóa được giao kèm theo sản phẩm. Bạn có thể tham khảo tổng thể các loại phụ tùng, phụ kiện trong chương trình phụ tùng của chúng tôi.



Để tắt máy

Hãy nhấn công tắc bật/tắt (2) xuống dưới vào vị trí 0.

- ▶ **GHG 18-60: Để dụng cụ điện chạy trong thời gian ngắn ở mức công suất 50 °C (Cấp độ làm mát) sau khi hoạt động lâu với nhiệt độ cao trước khi tắt để làm nguội.**




Chọn mức công suất (GHG 16-50)

Với công tắc bật/tắt (2) bạn có thể chọn trong số các mức công suất khác nhau:

GHG 16-50			
Cấp độ	Mức công suất	°C	l/min
Cấp độ làm việc 1		300	240
Cấp độ làm việc 2		500	450

Chọn mức công suất (GHG 18-60)

Với công tắc bật/tắt (2) bạn có thể chọn trong số các mức công suất khác nhau:

GHG 18-60			
Cấp độ	Mức công suất	°C	l/min
Cấp làm mát		50	200
Cấp độ làm việc 1		300	350
Cấp độ làm việc 2		600	500

► **Khí chuyển từ cấp làm mát sang cấp độ làm việc 1, số vòng quay sẽ thay đổi và tiếng ồn vận hành của quạt gió không thay đổi.**

Cấp làm mát phù hợp để làm mát phôi gia công nóng hoặc để làm khô màu. Nó cũng phù hợp để làm nguội súng phun hơi nóng trước khi dừng hoặc thay các vòi phun lắp ráp.

Hướng Dẫn Sử Dụng

► **Trước khi tiến hành bất cứ việc gì trên súng phun hơi nóng, kéo phích cắm điện nguồn ra.**

Hướng dẫn: Không để vòi (3) ở quá gần phôi gia công cần xử lý. Sự tích tụ hơi nóng có thể dẫn đến sự quá nhiệt cho súng phun hơi nóng.

Tháo Vòng Bao Ngoài Chống Nhiệt (GHG 18-60)

Để hoạt động ở những vị trí hẹp bạn có thể loại bỏ chống nhiệt (4) bằng cách xoay.

► **Thận trọng trước vòi phun nóng!** Sự gia tăng nguy cơ bị bỏng là điều thật sự có thể xảy ra khi làm việc mà không có vòng bao ngoài chống nhiệt.

Để tháo ra hoặc lắp vòng bao ngoài chống nhiệt (4) hãy tắt súng phun hơi nóng và để nguội.

Để làm nguội nhanh, ta cũng có thể cho súng phun hơi nóng hoạt động một thời gian ngắn ở nhiệt độ thấp nhất có thể điều chỉnh được.

Tắt súng phun hơi nóng

Hãy đặt súng phun hơi nóng lên giá đỡ (1), để làm mát hoặc để rãnh hai tay.

► **Hãy làm việc cẩn thận với súng phun hơi nóng đã ngắt!** Có nguy cơ tự mình gây bỏng vì mũi phun nóng hay từ tia hơi nóng.

Định vị súng phun hơi nóng trên một mặt phẳng vững chắc và bằng phẳng. Hãy đảm bảo rằng nó không bị lật đổ. Khóa cáp bên ngoài khu vực làm

việc của bạn, để súng phun hơi nóng không bị lật đổ hoặc bị kéo xuống.

Tắt súng phun hơi nóng khi không sử dụng lâu dài và kéo phích cắm điện nguồn.

Ví dụ về vận hành (xem hình A–F)

Ta có thể tìm thấy các minh họa ứng dụng bằng các ví dụ trên các trang hình ảnh.

Khoảng cách của vòi phun đến phôi gia công tùy thuộc vào nguyên liệu được gia công (Kim loại, nhựa, vv.) và kiểu gia công.

Nhiệt độ tối ưu của ứng dụng tương ứng được xác định bằng thử nghiệm thực tế.

Luôn kiểm tra luồng không khí và nhiệt độ. Hãy bắt đầu với khoảng cách lớn hơn và mức công suất thấp. Hãy điều chỉnh khoảng cách và mức công suất phù hợp theo nhu cầu.

Nếu bạn không chắc vật liệu nào bạn gia công hoặc hiệu quả của khí nóng lên vật liệu như thế nào, hãy thử hiệu quả trên một vị trí được che.

Bạn có thể làm việc mà không cần phụ kiện ở tất cả các ví dụ công việc ngoài "Loại bỏ lớp sơn của khung cửa sổ". Tuy nhiên, sự sử dụng các phụ kiện được khuyến dùng, làm cho việc làm được đơn giản hơn và cho kết quả tốt hơn đáng kể.

► **Cẩn thận khi thay vòi! Không chạm vào vòi phun nóng. Hãy để nguội súng phun hơi nóng và đeo găng tay bảo vệ khi thay.** Nguy hiểm do tự gây bỏng vì mũi phun nóng.

Loại Bỏ Vết-ni/Làm Mềm Keo Dán (xem Hình A)

Hãy lắp vòi phun det (5) (phụ kiện). Hãy làm mềm sơn nhanh bằng khí nóng và loại bỏ bằng một dụng cụ nạo sạch. Tiếp xúc lâu với nhiệt nóng có thể làm cháy lớp sơn và khiến việc loại bỏ khó khăn hơn.

Nhiều keo dính sẽ mềm ra nhờ nhiệt. Khi keo nóng, bạn có thể ngắt kết nối hoặc loại bỏ keo dính thừa.

Loại bỏ lớp sơn của khung cửa sổ (xem hình B)

► **Bạn nhất thiết phải sử dụng vòi chụp (6) (phụ kiện).** Nguy hiểm do vỡ kính.

Trên các bề mặt nghiêng, vết-ni có thể được cạo bỏ bằng cách sử dụng một dao bay vừa vặn và thích hợp, và quét bằng chổi kim loại mềm.

Rã Băng Ống nước (xem Hình C)

► **Trước khi làm ấm hãy kiểm tra xem đó có thực sự là đường ống nước không.** Bề ngoài của đường ống dẫn nước thường không khác với đường dẫn khí ga. Đường dẫn khí ga dù ở bất cứ tình trạng nào cũng không được gây nóng.

Hãy lắp vòi dạng góc (7) (phụ kiện). Tốt nhất là hãy làm nóng các vị trí bị đóng băng từ lỗ tháo theo hướng lối vào.

Làm nóng ống nhựa mũ cũng như nối các đoạn ống với nhau cần cẩn trọng đặc biệt để tránh làm hư hỏng.

Tạo Hình Ống Nhựa (xem hình D)

Hãy lắp vòi phun bộ phận xạ (8) (phụ kiện). Hãy nạp cát cho ống nhựa và đóng ở cả hai phía, để ngăn ống bị cong vênh. Làm nóng ống cẩn thận và đồng thời bằng chuyển động qua lại ở phía bên.

Hàn Mềm (xem hình E)

Hãy lắp vòi phun nhỏ để hàn điểm (9), lắp vòi phun bộ phận xạ để hàn điện các ống (8) (cả hai phụ kiện).

Nếu hàn mà không sử dụng chất trợ dung hàn, hãy tra mỡ hay bột nhào hàn vào vị trí sẽ được hàn.

Hãy làm nóng vị trí được hàn và cho chất hàn vào. Chất hàn phải tan chảy từ nhiệt độ của chi tiết gia công.

Sau khi vị trí hàn nguội xuống, loại bỏ chất trợ dung hàn.

Cơ Ngót (xem hình F)

Hãy lắp vòi phun bộ phận xạ (8) (phụ kiện). Hãy chọn đường kính của ống cơ ngót (10) (phụ kiện) phù hợp với phôi gia công. Hãy làm nóng ống cơ ngót đồng thời cho đến khi nó nằm khít với phôi gia công.

Tel.: (028) 6258 3690

Fax: (028) 6258 3692 - 6258 3694

Hotline: (028) 6250 8555

Email: tuvankhachhang-pt@vn.bosch.com

www.bosch-pt.com.vn

www.baohanhbosch-pt.com.vn

Xem thêm địa chỉ dịch vụ tại:

www.bosch-pt.com/serviceaddresses

Sự thải bỏ

Súng phun hơi nóng, phụ kiện, bao bì phải được phân loại để tái chế theo hướng dẫn thân thiện với môi trường.



Không vứt súng phun hơi nóng cùng với rác thải của gia đình!

Bảo Dưỡng và Bảo Quản**Bảo Dưỡng Và Làm Sạch**

- ▶ Trước khi tiến hành bất cứ việc gì trên súng phun hơi nóng, kéo phích cắm điện nguồn ra.
- ▶ Để được an toàn và máy hoạt động đúng chức năng, luôn luôn giữ súng phun hơi nóng và các khe thông gió được sạch.

Nếu như cần phải thay dây dẫn điện thì công việc này phải do hãng **Bosch**, hay một đại lý được **Bosch** ủy nhiệm thực hiện để tránh gặp sự nguy hiểm do mất an toàn.

Dịch vụ hỗ trợ khách hàng và tư vấn sử dụng

Bộ phận phục vụ hàng sau khi bán của chúng tôi trả lời các câu hỏi liên quan đến việc bảo dưỡng và sửa chữa các sản phẩm cũng như phụ tùng thay thế của bạn. Sơ đồ mô tả và thông tin về phụ tùng thay thế cũng có thể tra cứu theo dưới đây:

www.bosch-pt.com

Đội ngũ tư vấn sử dụng của Bosch sẽ giúp bạn giải đáp các thắc mắc về sản phẩm và phụ kiện.

Trong tất cả các phản hồi và đơn đặt phụ tùng, xin vui lòng luôn luôn nhập số hàng hóa 10 chữ số theo nhãn của hàng hóa.

Việt Nam

CN CÔNG TY TNHH BOSCH VIỆT NAM TẠI

TP.HCM

Tầng 14, Ngôi Nhà Đức, 33 Lê Duẩn

Phường Bến Nghé, Quận 1, Thành Phố Hồ Chí

Minh

الساخن، مما يزيد خطر حدوث حريق أو انفجار.

- ◀ **توخى الحذر الشديد عند العمل بالقرب من مواد مشتعلة.** قد يؤدي تيار الهواء الساخن أو الفوهة الساخنة إلى اشتعال الغبار أو الغازات.
- ◀ **لا تعمل بمنفاخ الهواء الساخن في الأماكن المعرضة للانفجار.**
- ◀ **لا تقم بتسليط تيار الهواء الساخن على نفس الموضع لفترة طويلة.** قد تنتج غازات قابلة للاشتعال، ويحدث ذلك على سبيل المثال من جراء العمل على مواد بلاستيكية أو ألوان أو طلاءات أو مواد مشابهة.
- ◀ **انتبه إلى أن سخونة قد تصل إلى المواد القابلة للاشتعال غير الظاهرة مما يسبب اشتعالها.**
- ◀ **بعد الاستخدام خزن منفاخ الهواء الساخن بشكل آمن، ودعه يبرد تماما على سطح التخزين قبل وضعه في عيوته.** قد يتسبب المنفتح الساخن في أضرار.
- ◀ **لا تدع منفاخ الهواء الساخن مشغلاً دون مراقبة.**
- ◀ **احتفظ بمنفاخ الهواء الساخن الذي لا يتبع استخدامه بعيداً عن متناول الأطفال.** لا تسمع باستخدام منفاخ الهواء الساخن للأشخاص الذين لا دراية لهم به أو لم يقرأوا تلك التعليمات. تعتبر منافخ الهواء خطيرة إذا تم استعمالها من قبل أشخاص ليس لديهم خبرة.
- ◀ **أبعد منفاخ الهواء الساخن عن الأمطار أو الرطوبة.** يزداد خطر الصدمات الكهربائية في حالة تسرب الماء إلى داخل منفاخ الهواء الساخن.
- ◀ **لا تسيء استعمال الكابل عن طريق حمل منفاخ الهواء الساخن أو تعليقه منه أو سحب القابس من المقبس من خلاله.** حافظ على الكابل بعيداً عن الحرارة والزيت. تزيد الكابلات التالفة أو المتشابكة من خطر الصدمات الكهربائية.
- ◀ **احرص دائماً على ارتداء نظارة واقية.** فالنظارة الواقية تقلل خطر حدوث إصابات.
- ◀ **قم بسحب القابس من المقبس قبل القيام بتغيير أوضاع ضبط الجهاز، أو تغيير الأجزاء الملحقة، أو وضع منفاخ الهواء الساخن جانباً.** يمنع هذا الإجراء الاحترازي بدء تشغيل منفاخ الهواء الساخن بشكل غير مقصود.
- ◀ **احرص قبل كل استخدام على إجراء فحص لمنفاخ الهواء الساخن والكابل والقابس.** لا تستخدم منفاخ الهواء الساخن إذا اكتشفت وجود أضرار به. لا تفتح منفاخ الهواء الساخن بنفسك ولا تقم بإصلاحه إلا لدى فنيين متخصصين مؤهلين مع الاقتصار على استخدام قطع الغيار الأصلية. يزداد خطر التعرض للصدمة الكهربائية في حالة وجود أضرار بمنفاخ الهواء الساخن أو الكابل أو القابس.
- ◀ **قم بهوية مكان العمل بشكل جيد.** الغازات والأبخرة المتولدة أثناء العمل تكون مضرّة بالصحة غالباً.



عربي

إرشادات الأمان



اقرأ جميع إرشادات الأمان والتعليمات. إن ارتكاب الأخطاء عند تطبيق إرشادات الأمان والتعليمات قد يؤدي إلى حدوث صدمات الكهربائية، و إلى نشوب الحرائق و/أو الإصابة بجروح خطيرة. احتفظ بجميع الملاحظات التحذيرية والتعليمات للمستقبل.

- ◀ **منفاخ الهواء الساخن هذا غير مخصص لاستعمال الأطفال والأشخاص الذين يعانون من نقص في القدرات البدنية أو الحسية أو العقلية أو الذين ليست لديهم الدراية والمعرفة.** لا يمكن استخدام منفاخ الهواء الساخن هذا من قبل الأطفال من 8 سنوات فأكثر، بالإضافة للأشخاص الذين يعانون من نقص في القدرات البدنية أو الحسية أو العقلية أو الذين ليست لديهم الدراية والمعرفة، إلا في حالة الإشراف عليهم من قبل شخص مسؤول عن سلامتهم أو إذا تم إرشادهم إلى كيفية التعامل الآمن مع منفاخ الهواء الساخن، وإلى الأخطار المرتبطة به. وإلا فقد ينشأ خطر من الاستخدام الخاطئ أو من جراء وقوع إصابات.
- ◀ **احرص على مراقبة الأطفال عند الاستخدام والتنظيف والصيانة.** وذلك لضمان عدم عبث الأطفال بمسدس الهواء الساخن.
- ◀ **تعامل بحرص مع منفاخ الهواء الساخن.** تتولد حرارة شديدة من منفاخ الهواء

الاستعمال المخصص

منفاخ الهواء الساخن مخصص للحام اللدائن وتغيير أشكالها وإزالة الطلاء ولتسخين الخراطيم الانكماشية. وهي مناسبة أيضا لأعمال اللحام العادية واللحام بالقصدير وفك وصلات اللصق وإزالة التجمد عن مواسير المياه.
منفاخ الهواء الساخن مصمم للاستخدام باليد تحت إشراف.

الأجزاء المصورة

يشير ترقيم الأجزاء المصورة إلى الصورة المعروضة لمنفاخ الهواء الساخن في صفحة الرسوم.

- (1) سطح التركيب
 - (2) مفتاح التشغيل والإطفاء والدرجات
 - (3) منفث
 - (4) واقية الحرارة، قابل للخلع
 - (5) منفث الأسطح^(a)
 - (6) منفث وقاية الزجاج^(a)
 - (7) منفث زاوي^(a)
 - (8) المنفث العاكس^(a)
 - (9) منفث التقليل^(a)
 - (10) الخرطوم الانكماشية^(a)
- (a) لا يتضمن إطار التوريد الاعتيادي التوابع المصورة أو المشروحة. تجد التوابع الكاملة في برنامجنا للتوابع.

◀ **قم بارتداء قفازات واقية ولا تلمس الفوهة الساخنة.** حيث ينطوي الأمر على خطر الإصابة بحروق.

◀ **لا تقم بتوجيه تيار الهواء الساخن نحو الأشخاص أو الحيوانات.**

◀ **لا تستخدم منفاخ الهواء الساخن كمجفف شعر.** فتيار الهواء الذي يخرج يكون أكثر سخونة من تيار هواء مجفف الشعر.

◀ **احرص على ألا تدخل أجسام غريبة إلى منفاخ الهواء الساخن.**

◀ **تعتمد المسافة بين المنفث وقطعة الشغل على الخامة المراد معالجتها (المعدن، البلاستيك وما شابه) ونوع المعالجة المرغوبة.** احرص دائما على القيام بعمل اختبار لكمية الهواء ودرجة الحرارة أولا.

◀ **إن لم يكن بالإمكان تجنب تشغيل منفاخ الهواء الساخن في الأجواء الرطبة، فاستخدم مفتاح الوقاية من التيار المتخلف.** يقلل استخدام مفتاح الوقاية من التيار المتخلف من خطر التعرض لصدمة كهربائية.

◀ **لا تستعمل منفاخ الهواء الساخن إذا كان الكابل الكهربائي تالفاً.** لا تلمس الكابل التالف واسحب قابس الشبكة الكهربائية إذا أصيب الكابل بتلف أثناء العمل. تزيد الكابلات الكهربائية التالفة من خطر التعرض لصدمة كهربائية.

وصف المنتج والأداء

يرجى الرجوع إلى الصور الموجودة في الجزء الأول من دليل التشغيل.

البيانات الفنية

منفاخ الهواء الساخن	
GHG 18-60	GHG 16-50
..BA6 1 3 601	..BA6 0 3 601
رقم الصنف	رقم الصنف
1800	1600
قدرة الدخل الاسمية	واط
500/350 ^(A) /200 ^(A)	240/450
كمية الهواء	لتر/دقيقة
600/300 ^(A) /50 ^(A)	300/500
درجة حرارة فتحة المنفث ^(B)	°م
دقة قياس درجة الحرارة	% 10±
الوزن حسب EPTA-Procedure 01:2014	0,52
فئة الحماية	كجم
II/□	II/□

(A) تتزايد كمية الهواء مع زيادة درجة الحرارة من 50 °م حتى 300 °م. تدور المروحة في الدرجتين بنفس السرعة.

(B) عند درجة حرارة محيطية 20 °م

تسري البيانات على جهد اسمي [U] يبلغ 230 فولت. قد تختلف تلك البيانات حسب اختلاف الجهد والطرازات الخاصة بكل دولة.

هذا لا يشير إلى وجود أضرار أو عطل في وظيفة منفاخ الهواء الساخن.

التشغيل

حرك مفتاح التشغيل/الإيقاف (2) إلى أعلى.

الإيقاف

حرك مفتاح التشغيل/الإيقاف (2) إلى أسفل إلى الوضع 0.

◀ **GHG 18-60: بعد العمل لفترة طويلة بدرجة حرارة مرتفعة اترك العدة الكهربائية فترة**

التشغيل

بدء التشغيل

تصاعد الدخان عند التشغيل للمرة الأولى

تم تزويد الأسطح المعدنية من قبل المصنع بطبقة طلاء لمباتها من التآكل. حيث تتبخر تلك الطبقة عند التشغيل للمرة الأولى.

نتيجة لعملية التصنيع قد يكون لون الفوهة (3) الخاصة بمنفاخ الهواء الساخن متغير بعض الشيء. لكن

وإبعاد الكابل عن نطاق عمل منفاخ الهواء الساخن حتى لا يتسبب في سقوطه أو جره لأسفل. اطفئ منفاخ الهواء الساخن في حالة عدم استخدام لفترة طويلة وانزع القابس الكهربائي.

أمثلة العمل (انظر الصور A-F)

تجد صور أمثلة العمل في صفحة الرسوم التخطيطية. تعتمد المسافة بين المنفث وقطعة الشغل على الخامة المراد معالجتها (المعدن، اللدائن وما شابه) ونوع المعالجة المرغوبة.

تحدد درجة الحرارة المثلى لكل استخدام عن طريق التجربة العملية.

احرص دائماً على القيام بعمل اختبار لكمية الهواء ودرجة الحرارة أولاً. ابدأ بمسافة كبيرة ودرجة منخفضة، ثم قم بملء المسافة والدرجة حسب الحاجة.

إذا لم تكن متأكدًا من الخامة التي تعمل عليها أو من تأثير الهواء الساخن على الخامة فقم باختبار التأثير على موضع مغطى.

يمكنك العمل مع كافة أمثلة العمل دون توابيع باستثناء «إزالة الطلاء من إطار الناظفة». يعمل استخدام أجزاء التوابيع المقررة على تسهيل العمل، وعلى زيادة من جودة النتائج بشكل كبير.

⚠ **احترس عند استبدال الفوهات! لا تلمس الفوهة الساخنة.** اترك منفاخ الهواء الساخن ليبرد وارتي قفازات واقية عند الاستبدال. فقد تتعرض للإصابة بحروق من جراء الفوهة الساخنة.

إزالة اللاكهي/حل المواد اللازقة (انظر الصورة A)

قم بتركيب منفث السطوح (5) (التوابيع). قم بترطيب الطلاء قليلاً بالهواء الساخن، وقم بإزالته باستخدام مكشطة نظيفة. يؤدي تأثير الحرارة لفترة طويلة إلى احتراق الطلاء، وتجعل إزالته صعبة.

تؤدي الحرارة إلى ترطيب الكثير من مواد اللصق. عندما تسخن المادة اللاصقة يمكن فك الالتصاق أو إزالة فائض اللصق.

إزالة الطلاء من إطار الناظفة (انظر الصورة B)

⚠ **يتمتع استخدام منفث وقاية الزجاج (6) (التوابيع).** قد يتشكل خطر كسر الزجاج.

يمكن رفع اللاكهي عن السطوح المجسمة بواسطة ملوق ملائم ثم يزال بواسطة فرشاة معدنية.

إذابة الصقيع عن أنابيب الماء (انظر الصورة C)

⚠ **تأكد قبل التسخين، من وجود أنابيب مياه أو عدمه.** إن أنابيب الماء لا تختلف بهيئتها الخارجية عن أنابيب الغاز. لا يجوز أبداً أن يتم تسخين أنابيب الغاز.

قم بتركيب المنفث الزاوي (7) (التوابيع). قم بتسخين المواضع المجمدة في المقام الأول بالسير في اتجاه المدخل.

تُسخّن الأنابيب اللدائية وأيضاً الوصلات بين الأنابيب بحذر شديد لتجنب إتلافها.

تغيير أشكال الأنابيب اللدائية (انظر الصورة D)

قم بتركيب المنفث العاكس (8) (التوابيع). املأ المواسير البلاستيكية بالرمل، وأغلقها من الناحيتين

قصيرة قبل الإيقاف تعمل على درجة 50 °C (درجة التبريد) حتى تبرد.

اختيار الدرجة (GHG 16-50)

يمكنك عن طريق مفتاح التشغيل/الإيقاف (2) الاختيار بين الدرجات المختلفة:

GHG 16-50			
الدرجة	درجة الطاقة	°C	لتر/ دقيقة
درجة العمل 1	I	300	240
درجة العمل 2	II	500	450

اختيار الدرجة (GHG 18-60)

يمكنك عن طريق مفتاح التشغيل/الإيقاف (2) الاختيار بين الدرجات المختلفة:

GHG 18-60			
الدرجة	درجة الطاقة	°C	لتر/ دقيقة
درجة التبريد	I	50	200
درجة العمل 1	I	300	350
درجة العمل 2	II	600	500

⚠ **لا يتغير عدد لفات المروحة وبالتالي صوت تشغيلها عند التحميل من درجة التبريد إلى درجة العمل 1.**

مستوى التبريد يناسب تبريد قطع الشغل الساخنة أو تجفيف الألوان. كما يناسب أيضاً تبريد منفاخ الهواء الساخن قبل الإيقاف أو قبل تغيير المنفث الإضافي.

إرشادات العمل

⚠ **اسحب القابس من مقبس الشبكة الكهربائية قبل إجراء أي عمل على منفاخ الهواء الساخن.**

إرشاد: لا تقرب بافوهة (3) كثيراً من قطعة الشغل المرغوب معالجتها. قد يؤدي تكديس الهواء الناتج إلى فرط سخونة منفاخ الهواء الساخن.

فك واقية الحرارة (GHG 18-60)

عند العمل في الأماكن شديدة الضيق يمكنك خلع واقية الحرارة (4) عن طريق إدارته.

⚠ **انتبه عند التعامل مع الفوهة الساخنة.** يزداد خطر الاحتراق عند العمل بلا واقية الحرارة.

لغرض خلع وتركيب واقية الحرارة (4) قم بإطفاء منفاخ الهواء الساخن وأتركه حتى يبرد.

يمكنك أيضاً أن تدير منفاخ الهواء الساخن لفترة قصيرة بآدنى درجة حرارة يمكن ضبطها لكي تقوم بتبريده بسرعة.

ركن منفاخ الهواء الساخن

اركن منفاخ الهواء الساخن على سطح التركيب (1)، من أجل تبريده أو من أجل تسهيل العمل بواسطة اليدين اللاتنيين.

⚠ **مارس العمل بواسطة منفاخ الهواء الساخن بعد ركنه بحرص شديد!** قد تتعرض نفسك لحروق من خلال المنفث الساخن أو تيار الهواء الساخن.

ضع منفاخ الهواء الساخن على سطح مستوي وثابت. وتأكد من عدم وجود إمكانية لسقوطه. قم بتأمين

التخلص من العدة الكهربائية

يجب التخلص من منافخ الهواء الساخن والتوابع ومواد التغليف بطريقة محافظة على البيئة عن طريق تسليمها لمراكز النفايات القابلة لإعادة التصنيع.

لا تلق منافخ الهواء الساخن ضمن النفايات المنزلية!



لمنع انحناء الماسورة. قم بتسخين الماسورة بحرص مع تحريكها ذهاباً وإياباً بالتساوي.

اللحام اللين (انظر الصورة E)

قم بتركيب فوهة الخفض عند لحام نقطة (9)، والفوهة الانعكاسية عند لحام المواسير (8) (كلاهما من التوابع).

إن كنت تستعمل وسيط لحام بلا مادة إزلاق، فقم بوضع شحم لحام أو معجون لحام على مكان اللحام. سخن مكان اللحام وأضف وسيط اللحام. يجب أن يذوب وسيط اللحام من خلال سخونة قطعة الشغل. أزل مادة الإزلاق عند الضرورة بعد أن يبرد مكان اللحم.

الانكماش (انظر الصورة F)

قم بتركيب المنفث العاكس (8) (التوابع). اختر قطر الخرطوم الانكماش (10) (التوابع) المناسب لقطعة الشغل. سخن الخرطوم الانكماش بالتساوي حتى يلامس قطعة الشغل.

الصيانة والخدمة

الصيانة والتنظيف

◀ اسحب القابس من مقبس الشبكة الكهربائية قبل إجراء أي عمل على منافخ الهواء الساخن.

◀ للعمل بشكل جيد وأمن حافظ دائماً على نظافة منافخ الهواء الساخن وفتحات التهوية.

إذا تطلب الأمر استبدال خط الإمداد، فينبغي أن يتم ذلك من قبل شركة Bosch أو من قبل مركز خدمة الزبائن المعتمد لشركة Bosch للعدد الكهربائية، لتجنب التعرض للمخاطر.

خدمة العملاء واستشارات الاستخدام

يجيب مركز خدمة العملاء على الأسئلة المتعلقة بإصلاح المنتج وصيانتها، بالإضافة لقطع الغيار. تجد الرسوم التفصيلية والمعلومات الخاصة بقطع الغيار في الموقع: www.bosch-pt.com يسر فريق Bosch لاستشارات الاستخدام مساعدتك إذا كان لديك أي استفسارات بخصوص منتجاتنا وملحقاتها.

يلزم ذكر رقم الصنف ذو الثانات العشر وفقاً للوحة صنع المنتج عند إرسال أية استفسارات أو طلبيات قطع غيار.

المغرب

Robert Bosch Morocco SARL

53، شارع الملازم محمد محروود

20300 الدار البيضاء

الهاتف: +212 5 29 31 43 27

البريد الإلكتروني: sav.outillage@ma.bosch.com

تجد المزيد من عناوين الخدمة تحت:

www.bosch-pt.com/serviceaddresses

فارسی

دستورات ایمنی



همه دستورات ایمنی و راهنماییها را بخوانید. اشتباهات ناشی از عدم رعایت این دستورات ایمنی ممکن است باعث برقگرفتگی، سوختگی و یا سایر جراحات های شدید شود.

همه هشدارهای ایمنی و راهنماییها را برای آینده خوب نگهداری کنید.

این سشوار صنعتی برای کودکان و سایر افراد دارای کاستیهای روحی و جسمی یا بدون تجربه یا آشنایی در نظر گرفته نشده است. کودکان بالای 8 سال و سایر افراد دارای کاستیهای روحی و جسمی یا بدون تجربه یا آشنایی که نمی توانند این سشوار صنعتی را با اطمینان بکار برند، می توانند از سشوار صنعتی با نظارت یا توجیه روش کاربری و خطرات ممکن بوسیله یک فرد مسؤوول استفاده کنند. در غیر اینصورت خطر کاربری اشتباه و جراحت وجود دارد.

هنگام استفاده، سرویس و تمیز کاری، کودکان را زیر نظر داشته باشید. اینگونه اطمینان حاصل می کنید که کودکان با سشوار صنعتی بازی نمی کنند.

با سشوار صنعتی با احتیاط کار کنید. سشوار صنعتی حرارت زیادی تولید می کند که

می تواند خطر آتش سوزی یا انفجار شدید را افزایش دهد.

بخصوص هنگام کار در نزدیکی مواد قابل اشتعال احتیاط کنید. جریان هوا یا نازل داغ می توانند گرد یا گازها را آتش بزنند.

با سشوار صنعتی در محیط دارای خطر انفجار کار نکنید.

جریان هوای گرم را برای مدت طولانی به طرف یک محل یا جای ثابت نگیرید. هنگام کار با پلاستیک، رنگ، لاک، یا سایر مواد مشابه ممکن است گازهای با قابلیت اشتعال سریع تولید شوند.

دقت کنید که حرارت ممکن است به مواد دارای روکش قابل اشتعال منتقل شود و آنها را آتش بزند.

سشوار صنعتی را پس از استفاده به طور ایمن زمین بگذارید و قبل از کنار گذاشتن آن اجازه دهید کاملاً خنک شود. نازل داغ ممکن است به آسیب دیدگی منجر شود.

چنانچه سشوار صنعتی روشن است، آن را به حال خود رها نکنید.

سشوار صنعتی استفاده نشده را از دسترس کودکان دور نگه دارید. اجازه ندهید افرادی که با سشوار صنعتی آشنایی ندارند یا این دفترچه راهنما را مطالعه نکرده اند، با آن کار کنند. کار کردن افراد بی تجربه با سشوارهای صنعتی خطرناک است.

سشوار صنعتی را از باران یا رطوبت دور نگه دارید. نفوذ آب به سشوار صنعتی، خطر برق گرفتگی را افزایش می دهد.

از کابل سشوار صنعتی برای اقداماتی نظیر حمل دستگاه، آویزان کردن آن یا خارج کردن دوشاخه از پریز استفاده نکنید. کابل دستگاه را از حرارت و روغن دور نگه دارید. کابل های آسیب دیده یا گره خورده، خطر برق گرفتگی را افزایش می دهند.

از عینک ایمنی استفاده کنید. عینک ایمنی خطر جراحت را کاهش می دهد.

خارج کردن دوشاخه از پریز برق، قبل از اِعمال تنظیمات روی دستگاه، تعویض متعلقات یا کنار گذاشتن آن، الزامی است. رعایت این اقدامات احتیاطی پیش گیرانه، از شروع به کار ناخواسته سشوار صنعتی جلوگیری می کند.

قبل از هر بار استفاده، دستگاه، کابل و دوشاخه را بررسی کنید. در صورت تشخیص هرگونه آسیب دیدگی، از دستگاه استفاده نکنید. سشوار صنعتی را خودتان باز نکنید و جهت تعمیر دستگاه فقط به متخصصین حرفه ای رجوع و از وسایل یدکی اصل استفاده کنید. سشوار صنعتی، کابل و دوشاخه، در صورت آسیب دیدگی، خطر برق گرفتگی را افزایش می دهند.

هوای محل کار خود را خوب تهویه کنید. گازها و بخارهای تولید شده هنگام کار برای سلامتی مضر هستند.



از دستکش ایمنی استفاده کنید و به نازل داغ دست نزنید. خطر سوختگی وجود دارد.

جریان هوای داغ را به طرف اشخاص یا حیوانات نگیرید.

از سشوار صنعتی برای خشک کردن موها استفاده نکنید. جریان هوای خروجی دستگاه، بسیار داغ تر از سشوار مو است.

نظر گرفته شده است. همچنین برای لمیم کاری و قلع اندود کردن، جدا کردن اتصالات چسب شده و همچنین برای آب کردن یخ لوله های آب مناسب است.

این سنوار صنعتی جهت استفاده با دست و تمت نظارت در نظر گرفته شده است.

اجزاء دستگاه

شماره گذاری تصاویر اجزاء دستگاه بر اساس شکل سنوار صنعتی در صفحه تصاویر است.

- (1) تکیه گاه دستگاه
- (2) کلید قطع و وصل و تنظیم کننده حرارت
- (3) نازل (افشانک)
- (4) محافظ حرارتی جداشدنی
- (5) نازل تخت^(a)
- (6) نازل محافظ شیشه^(a)
- (7) نازل سرکج^(a)
- (8) نازل بازتابنده^(a)
- (9) نازل کاهنده^(a)
- (10) وارنیش^(a)

(a) کلیه متعلقاتی که در تصویر و یا در متن آمده است، بطور معمول همراه دستگاه ارائه نمی شود. لطفا لیست کامل متعلقات را از فهرست برنامه متعلقات اقتباس نمایید.

◀ دقت کنید که هیچ جسم خارجی وارد سنوار صنعتی نشود.

◀ فاصله نازل تا قطعه کار بستگی به جنس قطعه کار (فلز، پلاستیک، وغیره) و نوع کار روی آن قطعه دارد. همیشه ابتدا مقدار هوا و دما را آزمایش کنید.

◀ چنانچه کار با سنوار صنعتی در محیط مرطوب اجتناب ناپذیر است، از یک فیوز مینیاتوری استفاده کنید. استفاده از فیوز مینیاتوری، خطر برق گرفتگی را کاهش می دهد.

◀ در صورتی که کابل سنوار صنعتی آسیب دیده باشد، از آن استفاده نکنید. از لمس کابل آسیب دیده خودداری کنید و در صورت آسیب دیدن کابل دستگاه حین کار، دوشاخه اتصال را از پریز برق بیرون بکشید. کابل های آسیب دیده، خطر برق گرفتگی را افزایش می دهند.

توضیحات محصول و کارکرد

به تصویرهای واقع در بخشهای اول دفترچه راهنما توجه کنید.

موارد استفاده از دستگاه

این سنوار صنعتی برای فرم دادن و جوش دادن مواد پلاستیکی، رنگ زدایی و برای شیرینک حرارتی در

مشخصات فنی

سنوار صنعتی	
GHG 18-60	GHG 16-50
..BA6 1 3 601	..BA6 0 3 601
1800	1600
500/350 ^(A) /200 ^(A)	240/450
600/300 ^(A) /50 ^(A)	300/500
±10%	±10%
0,52	0,52
II/□	II/□

(A) مقدار هوا در اثر افزایش دما از 50 °C به 300 °C افزایش مییابد. تهویه (فن) در هر دو درجه توان به یک سرعت میچرخد.

(B) در دمای محیط 20 °C

مقادیر برای ولتاژ نامی 230 [U] ولت میباشند. برای ولتاژهای مختلف و تولیدات مخصوص کشورها، ممکن است این مقادیر، متفاوت باشند.

خاموش کردن

کلید قطع و وصل (2) را به حالت 0 برانید.

◀ **GHG 18-60:** پس از کار کردن طولانی مدت ابزار برقی در درجه حرارت بالا و قبل از خاموش کردن آن، اجازه دهید برای مدت کوتاهی در درجه 50°C (مرحله خنک کننده) کار کند تا خنک شود.

انتخاب درجه توان (GHG 16-50)

با کلید قطع و وصل (2) می توان درجههای مختلف توان را انتخاب کرد:

طرز کار با دستگاه

راه اندازی و نحوه کاربرد دستگاه

تولید دود در اولین راهاندازی

سطوح بخش های فلزی از طرف کارخانه به یک لایه ضد زنگ مجهز شده اند. این لایه حفاظتی در اولین راه اندازی، تولید دود می کند.

در طی فرایند تولید، ممکن است سنوار صنعتی تغییرات رنگ در نازل (3) نشان دهد. این امر منجر به ایجاد آسیب دیدگی نمی شود، و عملکرد سنوار صنعتی را تمت تأثیر قرار نمی دهد.

روشن کردن

کلید قطع و وصل (2) را به طرف بالا برانید.

سشوار صنعتی را در صورت عدم استفاده طولانی مدت خاموش کنید و دوشاخه اتصال دستگاه را از داخل پریز برق بیرون بکشید.

مثال های عملی (رجوع کنید به تصاویر A-F)

تصویر مثال های عملی در صفحه ی تا شو موجود می باشد.

فاصله نازل تا قطعه کار بستگی به جنس قطعه کار (فلز، پلاستیک، وغیره) و نوع کار روی آن قطعه دارد. دمای بهینه برای هر نوع کاربری از راه آزمایش بدست می آید.

همیشه ابتدا مقدار هوا و دما را آزمایش کنید. با یک فاصله زیاد و درجه حرارت پایین شروع کنید. در صورت نیاز، فاصله و درجه حرارت را تغییر دهید. چنانچه مطمئن نیستید که با چه جنس قطعه کاری کار می کنید یا اثرهوی داغ سشوار صنعتی روی قطعه کار چیست، روی قسمت پوشانده شده دیگر آزمایش کنید.

در مورد تمام مثالهای عملی به جز „جدا کردن لاک از چارچوب پنجرهها“ میتوان بدون متعلقات کار کرد. کاربرد متعلقات پیشنهاد شده، انجام کار را آسان نموده و کیفیت نتیجه کار را بطور قابل توجهی افزایش می دهد.

◀ **احتیاط هنگام تعویض نازل! به نازل داغ دست نزنید. بگذارید سشوار صنعتی خنک شود و هنگام تعویض، از دستکش ایمنی استفاده کنید.** خطر سوختگی در اثر تماس با نازل داغ وجود دارد.

زدودن لاک/چسب (رجوع کنید به تصویر A)
نازل تخت (5) (متعلقات) را قرار دهید. رنگ را مدتی با حرارت نرم کنید و توسط کاردک تمیز بلند کنید. حرارت دادن طولانی، لاک را می سوزاند و جدا کردن آن را سخت می کند.

بسیاری از چسبها با حرارت نرم می شوند. در طول نرم شدن چسبها می توان اتصال یا مقادیر چسب اضافی را جدا کرد.

زدودن رنگ از چهارچوب پنجره (رجوع کنید به تصویر B)

◀ **حتما از نازل محافظ شیشه (6) (متعلقات) استفاده کنید.** خطر شکستن شیشه وجود دارد. لاک الکل را می توانید در سطوح پروفیل دار به وسیله یک کاردک مناسب کمی بلند کنید و آن سطح را به وسیله یک برس نرم، برس بزنید.

آب کردن یخ لوله های آب (رجوع کنید به تصویر C)

◀ **پیش از حرارت دادن، مطمئن شوید که لوله آب است.** لوله های آب اغلب ظاهراً از لوله های گاز قابل تشخیص نیستند. لوله های گاز را نباید تحت هیچ شرایطی حرارت داد.

نازل سرکج (7) (متعلقات) را قرار دهید. قسمتهای یخ زده را بهتر است از ورودی به طرف خروجی حرارت دهید.

GHG 16-50			
مرحله	درجه توان	°C	l/min
مرحله کاری 1	I	300	240
مرحله کاری 2	II	500	450

انتخاب درجه توان (GHG 18-60)

با کلید قطع و وصل (2) می توان درجههای مختلف توان را انتخاب کرد:

GHG 18-60			
مرحله	درجه توان	°C	l/min
مرحله خنک کننده	III	50	200
مرحله کاری 1	I	300	350
مرحله کاری 2	II	600	500

◀ **هنگامی که از مرحله خنک کننده به مرحله کاری 1 می روید، سرعت و صدای فن تهویه تغییری نمی کند.**

مرحله خنک کننده برای خنک کردن قطعه کار داغ شده یا خشک کردن رنگ مناسب است. همچنین برای خنک شدن سشوار صنعتی، قبل از کنار گذاشتن آن یا تعویض نازل ها مناسب می باشد.

راهنماییهای عملی

◀ **پیش از انجام هرگونه کاری بر روی سشوار صنعتی، دوشاخه اتصال آنرا از داخل پریز برق بیرون بکشید.**

نکته: نازل (3) را زیاد نزدیک به قطعه کار نکنید. تجمع هوای حاصله ممکن است باعث گرم شدن بیش از حد سشوار صنعتی شود.

برداشتن حفاظ در برابر حرارت (GHG 18-60)
برای کار در جاهای بسیار تنگ می توانید حفاظ حرارتی (4) را با چرخاندن بردارید.

◀ **احتیاط، نازل داغ است!** در حین کار بدون طوقه محافظ در برابر حرارت، خطر ابتلا به سوختگی افزایش می یابد.

برای برداشتن یا قرار دادن حفاظ حرارتی (4)، سشوار صنعتی را خاموش کنید و بگذارید خنک شود.

جهت خنک شدن سریع سشوار صنعتی، می توانید آن را برای مدت کوتاهی با کمترین دمای قابل تنظیم روشن بگذارید.

خاموش کردن سشوار صنعتی

سشوار صنعتی را جهت خنک شدن یا آزاد کردن دو دست، روی سطح تکیه گاه (1) قرار دهید.

◀ **با سشوار صنعتی کنار گذاشته شده با احتیاط زیاد کار کنید!** خطر سوختگی در اثر تماس با نازل یا با جریان هوای داغ وجود دارد.

سشوار صنعتی را روی یک سطح صاف و ثابت قرار دهید. مطمئن شوید که دستگاه واژگون نمی شود. کابل دستگاه را طوری مطمئن قرار دهید که از واژگون شدن و کشیدن سشوار صنعتی جلوگیری کند.

ایران

روبرت بوش ایران - شرکت بوش تجارت پارس
میدان ونک، خیابان شهید خدای، خیابان آفتاب
ساختمان مادیران، شماره 3، طبقه سوم.

تهران 1994834571
تلفن: 42039000 +9821

آدرس سایر دفاتر خدماتی را در ادامه ببینید:
www.bosch-pt.com/serviceaddresses

از رده خارج کردن دستگاه

سشوار صنعتی، متعلقات و بسته بندی ها باید به
روشی سازگار با محیط زیست بازیافت شوند.

سشوار صنعتی را داخل زباله دان خانگی
نیندازید!



در حرارت دادن لوله های لاستیکی و اتصالات بین
قطعات لوله به ویژه محتاط باشید، تا از بروز آسیب و
خسارات جلوگیری بعمل آورید.

**تغییر فرم دادن لوله های پلاستیکی
(رجوع کنید به تصویر D)**

نازل بازتابنده (8) (متعلقات) را قرار دهید. لوله
پلاستیک را با شن پُر کنید و آن را از هر دو طرف
ببندید تا از خُم شدن آن جلوگیری کنید. لوله را با
احتیاط و با جابجا کردن به طور یکدست حرارت دهید.

لحیمکاری نرم (رجوع کنید به تصویر E)

برای لحیم کاری نقطه ای، نازل کاهنده (9) و برای
لحیم کاری لوله های نازل بازتابنده (8) (هر دو جزء
متعلقات) را قرار دهید.

چنانچه از سیم لحیم بدون مایع فلاکس استفاده
می کنید، در محل لحیم کاری، روغن لحیم یا خمیر
لحیم کاری بکار برید. محل لحیم کاری را گرم کنید و
به آن سیم لحیم اضافه کنید. سیم لحیم باید در اثر
حرارت قطعه کار ذوب شود.
در صورت لزوم پس از سرد شدن محل لحیم، مایع
فلاکس را پاک کنید.

**شیرینک کاری (منقبض کردن)
(رجوع کنید به تصویر F)**

نازل بازتابنده (8) (متعلقات) را قرار دهید. قطر
روکش (وارنیش) (10) (متعلقات) مناسب با قطعه
کار را انتخاب کنید. روکش (وارنیش) را به طور
یکدست حرارت دهید تا به قطعه کار بچسبد.

مراقبت و سرویس**مراقبت، تعمیر و تمیز کردن دستگاه**

◀ **پیش از انجام هرگونه کاری بر روی سشوار
صنعتی، دوشاخه اتصال آنرا از داخل پریز برق
بیرون بکشید.**

◀ **سشوار صنعتی و شیارهای تهویه آن را تمیز
نگاه دارید، تا ایمنی شما در کار تضمین گردد.**

در صورت نیاز به یک کابل یدکی برای اتصال به شبکه
برق، بایستی به شرکت **Bosch** و یا به نمایندگی مجاز
Bosch (خدمات پس از فروش) برای ابزار آلات برقی
مراجعه کنید تا از بروز خطرات ایمنی جلوگیری بعمل
آید.

خدمات و مشاوره با مشتریان

خدمات مشتری، به سؤالات شما درباره تعمیرات،
سرویس و همچنین قطعات یدکی پاسخ خواهد داد.
نقشه های سه بعدی و اطلاعات مربوط به قطعات
یدکی را در تارنمای زیر میباید:

www.bosch-pt.com

گروه مشاوره به مشتریان Bosch با کمال میل به
سؤالات شما درباره محصولات و متعلقات پاسخ می
دهند.

برای هرگونه سؤال و یا سفارش قطعات یدکی، حتماً
شماره فنی 10 رقمی کالا را مطابق برچسب روی ابزار
برقی اطلاع دهید.