



Robert Bosch Power Tools GmbH
70538 Stuttgart
GERMANY

www.bosch-pt.com

1 609 92A 4JG (2019.09) AS / 89



1 609 92A 4JG

GSR | GSB Professional

180-LI

 **BOSCH**

en Original instructions

fr Notice originale

pt Manual original

es Manual original

pt Manual de instruções original

zh 正本使用说明书

zh 原始使用說明書

th หนังสือคู่มือการใช้งานฉบับต้นแบบ

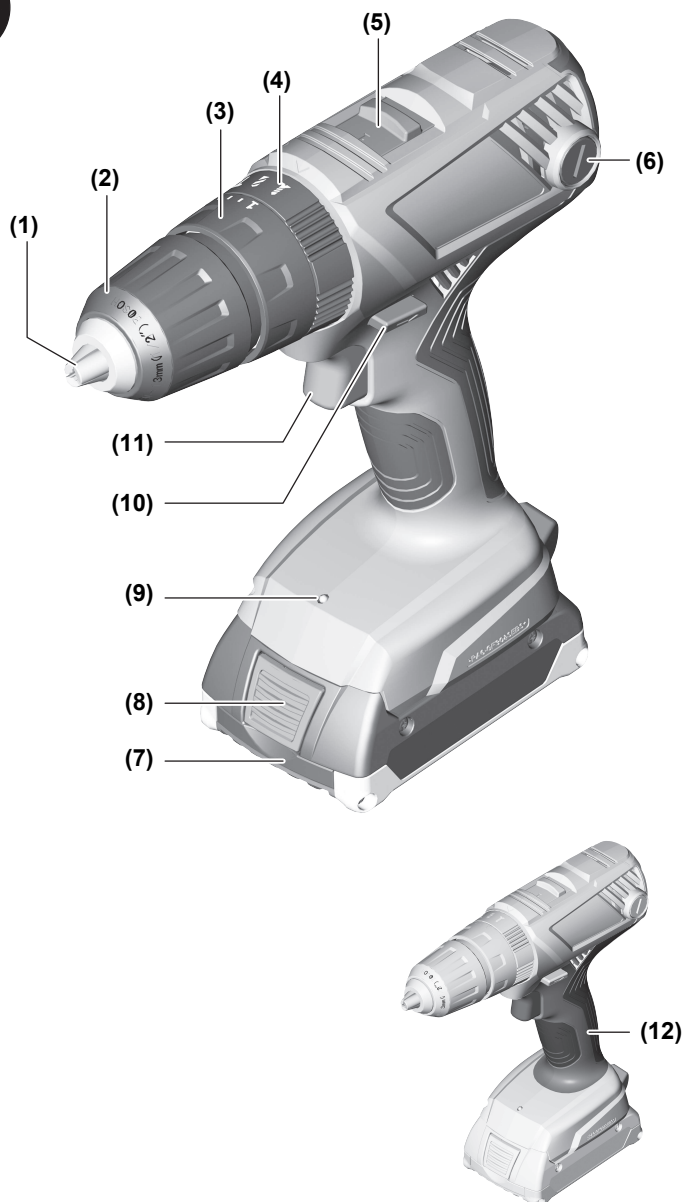
id Petunjuk-Petunjuk untuk Penggunaan Orisinal

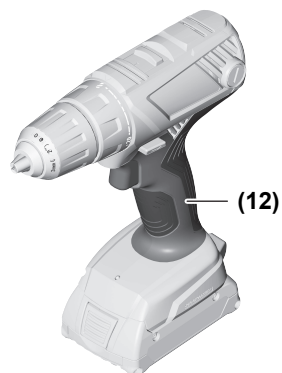
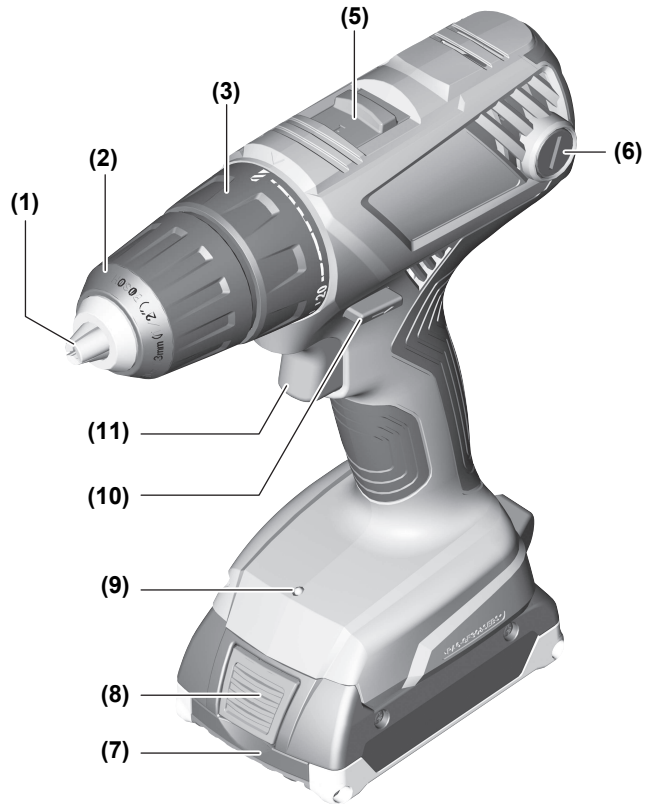
vi Bản gốc hướng dẫn sử dụng

ar دليل التشغيل الأصلي

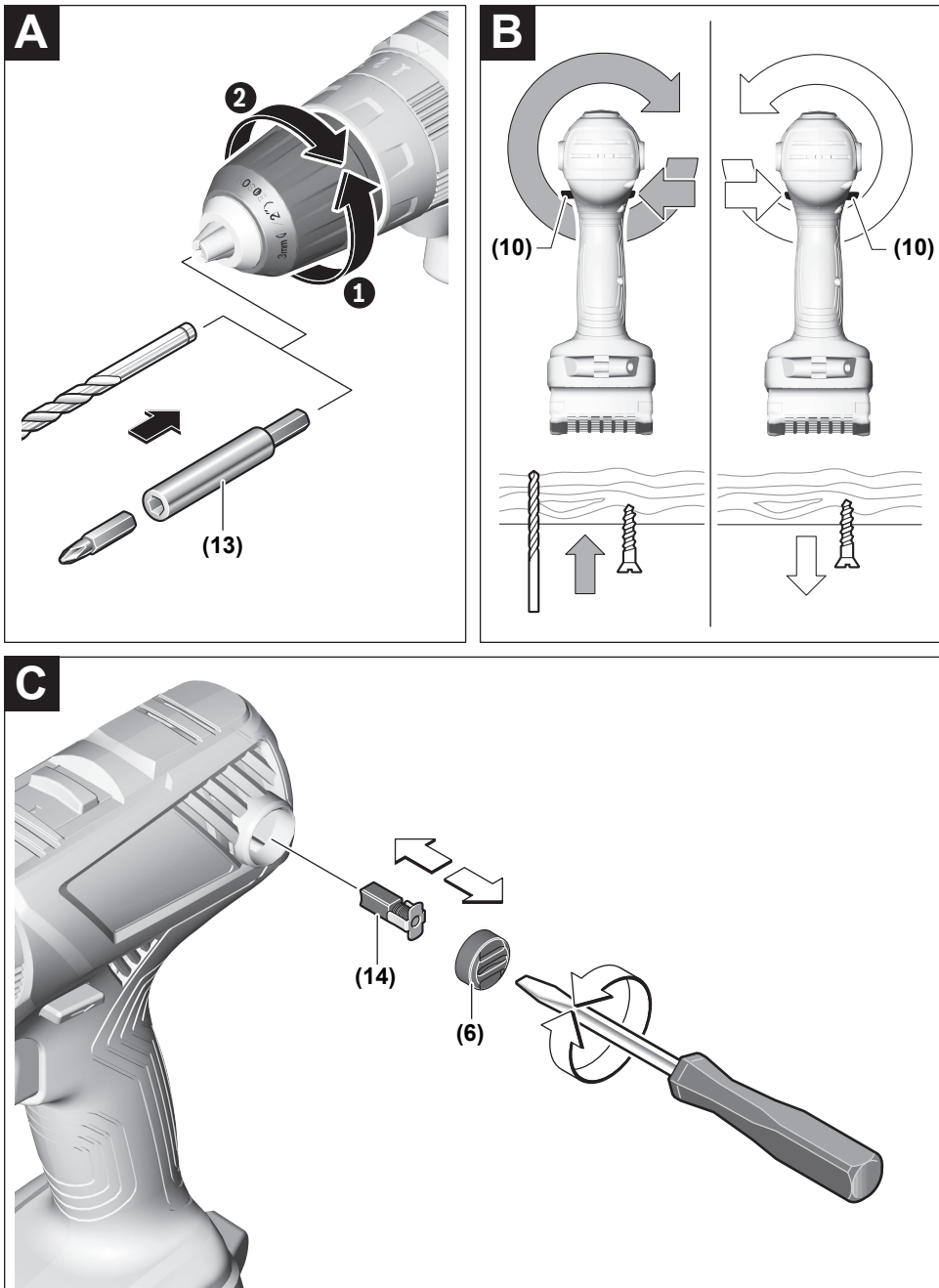
fa دفترچه راهنمای اصلی

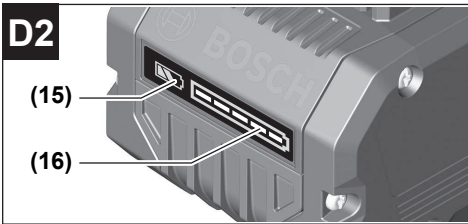
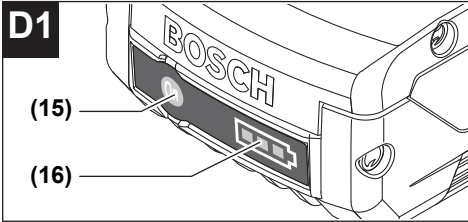
English	Page	7
Français	Page	15
Português	Página	21
Español	Página	28
Português do Brasil	Página	34
中文	頁	41
繁體中文	頁	46
ไทย	หน้า	51
Bahasa Indonesia	Halaman	58
Tiếng Việt	Trang	64
عربي	الصفحة	72
فارسی	صفحه	80
CE		I

**GSB 180-LI**



GSR 180-LI





English

Safety instructions

General Power Tool Safety Warnings

⚠ WARNING Read all safety warnings, instructions, illustrations and specifications provided with this power tool. Failure to follow all instructions listed below may result in electric shock, fire and/or serious injury.

Save all warnings and instructions for future reference.

The term "power tool" in the warnings refers to your mains-operated (corded) power tool or battery-operated (cordless) power tool.

Work area safety

- ▶ **Keep work area clean and well lit.** Cluttered or dark areas invite accidents.
- ▶ **Do not operate power tools in explosive atmospheres, such as in the presence of flammable liquids, gases or dust.** Power tools create sparks which may ignite the dust or fumes.
- ▶ **Keep children and bystanders away while operating a power tool.** Distractions can cause you to lose control.

Electrical safety

- ▶ **Power tool plugs must match the outlet. Never modify the plug in any way. Do not use any adapter plugs with earthed (grounded) power tools.** Unmodified plugs and matching outlets will reduce risk of electric shock.
- ▶ **Avoid body contact with earthed or grounded surfaces, such as pipes, radiators, ranges and refrigerators.** There is an increased risk of electric shock if your body is earthed or grounded.
- ▶ **Do not expose power tools to rain or wet conditions.** Water entering a power tool will increase the risk of electric shock.
- ▶ **Do not abuse the cord. Never use the cord for carrying, pulling or unplugging the power tool. Keep cord away from heat, oil, sharp edges or moving parts.** Damaged or entangled cords increase the risk of electric shock.
- ▶ **When operating a power tool outdoors, use an extension cord suitable for outdoor use.** Use of a cord suitable for outdoor use reduces the risk of electric shock.
- ▶ **If operating a power tool in a damp location is unavoidable, use a residual current device (RCD) protected supply.** Use of an RCD reduces the risk of electric shock.

Personal safety

- ▶ **Stay alert, watch what you are doing and use common sense when operating a power tool. Do not use a power tool while you are tired or under the influence of drugs, alcohol or medication.** A moment of inatten-

tion while operating power tools may result in serious personal injury.

- ▶ **Use personal protective equipment. Always wear eye protection.** Protective equipment such as a dust mask, non-skid safety shoes, hard hat or hearing protection used for appropriate conditions will reduce personal injuries.
- ▶ **Prevent unintentional starting. Ensure the switch is in the off-position before connecting to power source and/or battery pack, picking up or carrying the tool.** Carrying power tools with your finger on the switch or energising power tools that have the switch on invites accidents.
- ▶ **Remove any adjusting key or wrench before turning the power tool on.** A wrench or a key left attached to a rotating part of the power tool may result in personal injury.
- ▶ **Do not overreach. Keep proper footing and balance at all times.** This enables better control of the power tool in unexpected situations.
- ▶ **Dress properly. Do not wear loose clothing or jewellery. Keep your hair and clothing away from moving parts.** Loose clothes, jewellery or long hair can be caught in moving parts.
- ▶ **If devices are provided for the connection of dust extraction and collection facilities, ensure these are connected and properly used.** Use of dust collection can reduce dust-related hazards.
- ▶ **Do not let familiarity gained from frequent use of tools allow you to become complacent and ignore tool safety principles.** A careless action can cause severe injury within a fraction of a second.

Power tool use and care

- ▶ **Do not force the power tool. Use the correct power tool for your application.** The correct power tool will do the job better and safer at the rate for which it was designed.
- ▶ **Do not use the power tool if the switch does not turn it on and off.** Any power tool that cannot be controlled with the switch is dangerous and must be repaired.
- ▶ **Disconnect the plug from the power source and/or remove the battery pack, if detachable, from the power tool before making any adjustments, changing accessories, or storing power tools.** Such preventive safety measures reduce the risk of starting the power tool accidentally.
- ▶ **Store idle power tools out of the reach of children and do not allow persons unfamiliar with the power tool or these instructions to operate the power tool.** Power tools are dangerous in the hands of untrained users.
- ▶ **Maintain power tools and accessories. Check for misalignment or binding of moving parts, breakage of parts and any other condition that may affect the power tool's operation. If damaged, have the power tool repaired before use.** Many accidents are caused by poorly maintained power tools.

- ▶ **Keep cutting tools sharp and clean.** Properly maintained cutting tools with sharp cutting edges are less likely to bind and are easier to control.
- ▶ **Use the power tool, accessories and tool bits etc. in accordance with these instructions, taking into account the working conditions and the work to be performed.** Use of the power tool for operations different from those intended could result in a hazardous situation.
- ▶ **Keep handles and grasping surfaces dry, clean and free from oil and grease.** Slippery handles and grasping surfaces do not allow for safe handling and control of the tool in unexpected situations.

Battery tool use and care

- ▶ **Recharge only with the charger specified by the manufacturer.** A charger that is suitable for one type of battery pack may create a risk of fire when used with another battery pack.
- ▶ **Use power tools only with specifically designated battery packs.** Use of any other battery packs may create a risk of injury and fire.
- ▶ **When battery pack is not in use, keep it away from other metal objects, like paper clips, coins, keys, nails, screws or other small metal objects, that can make a connection from one terminal to another.** Shorting the battery terminals together may cause burns or a fire.
- ▶ **Under abusive conditions, liquid may be ejected from the battery; avoid contact. If contact accidentally occurs, flush with water. If liquid contacts eyes, additionally seek medical help.** Liquid ejected from the battery may cause irritation or burns.
- ▶ **Do not use a battery pack or tool that is damaged or modified.** Damaged or modified batteries may exhibit unpredictable behaviour resulting in fire, explosion or risk of injury.
- ▶ **Do not expose a battery pack or tool to fire or excessive temperature.** Exposure to fire or temperature above 130°C may cause explosion.
- ▶ **Follow all charging instructions and do not charge the battery pack or tool outside the temperature range specified in the instructions.** Charging improperly or at temperatures outside the specified range may damage the battery and increase the risk of fire.

Service

- ▶ **Have your power tool serviced by a qualified repair person using only identical replacement parts.** This will ensure that the safety of the power tool is maintained.
- ▶ **Never service damaged battery packs.** Service of battery packs should only be performed by the manufacturer or authorized service providers.

Safety information for drills and screwdrivers

Safety instructions for all operations

- ▶ **Wear ear protectors when impact drilling.** Exposure to noise can cause hearing loss.

- ▶ **Hold the power tool by insulated gripping surfaces, when performing an operation where the cutting accessory or fasteners may contact hidden wiring.** Cutting accessory or fasteners contacting a "live" wire may make exposed metal parts of the power tool "live" and could give the operator an electric shock.

Safety instructions when using long drill bits

- ▶ **Never operate at higher speed than the maximum speed rating of the drill bit.** At higher speeds, the bit is likely to bend if allowed to rotate freely without contacting the workpiece, resulting in personal injury.
- ▶ **Always start drilling at low speed and with the bit tip in contact with the workpiece.** At higher speeds, the bit is likely to bend if allowed to rotate freely without contacting the workpiece, resulting in personal injury.
- ▶ **Apply pressure only in direct line with the bit and do not apply excessive pressure.** Bits can bend causing breakage or loss of control, resulting in personal injury.

Additional safety warnings

- ▶ **Hold the power tool securely.** When tightening and loosening screws be prepared for temporarily high torque reactions.
 - ▶ **Secure the workpiece.** A workpiece clamped with clamping devices or in a vice is held more secure than by hand.
 - ▶ **Use suitable detectors to determine if there are hidden supply lines or contact the local utility company for assistance.** Contact with electric cables can cause fire and electric shock. Damaging gas lines can lead to explosion. Breaking water pipes causes property damage.
 - ▶ **Always wait until the power tool has come to a complete stop before placing it down.** The application tool can jam and cause you to lose control of the power tool.
 - ▶ **In case of damage and improper use of the battery, vapours may be emitted. The battery can set alight or explode.** Ensure the area is well ventilated and seek medical attention should you experience any adverse effects. The vapours may irritate the respiratory system.
 - ▶ **Do not open the battery.** There is a risk of short-circuiting.
 - ▶ **The battery can be damaged by pointed objects such as nails or screwdrivers or by force applied externally.** An internal short circuit may occur, causing the battery to burn, smoke, explode or overheat.
 - ▶ **Only use the battery with products from the manufacturer.** This is the only way in which you can protect the battery against dangerous overload.
- Protect the battery against heat, e.g. against continuous intense sunlight, fire, dirt, water and moisture.** There is a risk of explosion and short-circuiting.
- ▶ **Switch the power tool off immediately if the application tool becomes blocked. Be prepared for high torque reactions which cause kickback.** The application tool becomes blocked when it becomes jammed in



the workpiece or when the power tool becomes overloaded.

Product Description and Specifications



Read all the safety and general instructions.

Failure to observe the safety and general instructions may result in electric shock, fire and/or serious injury.

Please observe the illustrations at the beginning of this operating manual.

Intended use

The power tool is intended for driving and loosening screws and for drilling in wood, metal, ceramic and plastic. The GSB is also designed for impact drilling in brick, concrete and stone.

Product Features

The numbering of the product features refers to the diagram of the power tool on the graphics page.

- (1) Tool holder
- (2) Keyless chuck
- (3) Torque presetting ring
- (4) Mode selector switch (GSB)
- (5) Gear selector switch
- (6) Cover cap
- (7) Battery
- (8) Battery release button
- (9) Worklight
- (10) Rotational direction switch
- (11) On/off switch
- (12) Handle (insulated gripping surface)
- (13) Universal bit holder^{A)}
- (14) Carbon brushes
- (15) Battery charge indicator button
- (16) Battery charge indicator

A) **Accessories shown or described are not included with the product as standard. You can find the complete selection of accessories in our accessories range.**

Technical Data

Cordless drill/driver		GSR 180-LI	GSB 180-LI
		3 601 JF8 1..	3 601 JF8 3..
Article number			
Rated voltage	V=	18	18
No-load speed			
– First gear	min ⁻¹	0–500	0–500
– Second gear	min ⁻¹	0–1900	0–1900
Impact rate	min ⁻¹	–	0–27000
Max. torque, hard/soft screwdriving application according to ISO 5393 ^{A)}	Nm	54/21	54/21
Max. drilling diameter (first and second gear)			
– Wood	mm	35	35
– Steel	mm	10	10
– Masonry	mm	–	10
Tool holder		1.5–13	1.5–13
Max. screw diameter	mm	10	10
Weight according to EPTA-Procedure 01:2014 ^{A)}	kg	1.6–2.6	1.7–2.7
Recommended ambient temperature during charging	°C	0 to +35	0 to +35
Permitted ambient temperature during operation ^{B)} and during storage	°C	–20 to +50	–20 to +50
Recommended batteries		GBA 18V... ProCORE18V...	GBA 18V... ProCORE18V...

Cordless drill/driver	GSR 180-LI	GSB 180-LI
Recommended chargers	GAL 18... GAX 18... GAL 36...	GAL 18... GAX 18... GAL 36...

A) Depends on battery in use

B) Limited performance at temperatures <0 °C

Assembly

- **Remove the battery from the power tool before carrying out work on the power tool (e.g. maintenance, changing tool, etc.). The battery should also be removed for transport and storage.** There is risk of injury from unintentionally pressing the on/off switch.

Charging the Battery

- **Use only the chargers listed in the technical data.** Only these chargers are matched to the lithium-ion battery of your power tool.

Note: The battery is supplied partially charged. To ensure full battery capacity, fully charge the battery in the charger before using your power tool for the first time.

The lithium-ion battery can be charged at any time without reducing its service life. Interrupting the charging process does not damage the battery.

The lithium-ion battery is protected against deep discharge by the "Electronic Cell Protection (ECP)". When the battery is discharged, the power tool is switched off by means of a protective circuit: The application tool no longer rotates.

- **Do not continue to press the On/Off switch after the power tool has automatically switched off.** The battery can be damaged.

Follow the instructions on correct disposal.

Removing the Battery

The battery (7) is equipped with two locking levels to prevent the battery from falling out when pushing the battery release button (8) unintentionally. As long as the battery is inserted in the power tool, it is held in position by means of a spring.

To remove the battery (7), press the release button (8) and pull the battery out of the power tool. **Do not use force to do this.**

Battery Charge Indicator

The green LEDs on the battery charge indicator (16) indicate the state of charge of the battery (7). For safety reasons, it is only possible to check the state of charge when the power tool has been stopped.

Press the battery charge indicator button (15) to show the state of charge. This is also possible when the battery is removed.

If no LED lights up after pressing the battery charge indicator button (15), the battery is defective and must be replaced.

Battery Model GBA 18V... (see figure D1)

LEDs	Capacity
3× continuous green light	60–100 %
2× continuous green light	30–60 %
1× continuous green light	5–30 %
3× flashing green light	0–5 %

Battery Model ProCORE18V... (see figure D2)

LEDs	Capacity
5× continuous green light	80–100 %
4× continuous green light	60–80 %
3× continuous green light	40–60 %
2× continuous green light	20–40 %
1× continuous green light	5–20 %
1× flashing green light	0–5 %

Changing the Tool (see figure A)

- **Remove the battery from the power tool before carrying out work on the power tool (e.g. maintenance, changing tool, etc.). The battery should also be removed for transport and storage.** There is risk of injury from unintentionally pressing the on/off switch.

Open the keyless chuck (2) by turning it in the direction of rotation ① until the tool can be inserted. Insert the tool.

Firmly tighten the keyless chuck (2) by turning it by hand in the direction of rotation ②. This will automatically lock the drill chuck.

Dust/Chip Extraction

Dust from materials such as lead-containing coatings, some wood types, minerals and metal can be harmful to one's health. Touching or breathing-in the dust can cause allergic reactions and/or lead to respiratory infections of the user or bystanders.

Certain dust, such as oak or beech dust, is considered carcinogenic, especially in connection with wood-treatment additives (chromate, wood preservative). Materials containing asbestos may only be worked by specialists.

- Provide for good ventilation of the working place.
 - It is recommended to wear a P2 filter-class respirator.
- Observe the relevant regulations in your country for the materials to be worked.

- **Avoid dust accumulation at the workplace.** Dust can easily ignite.

Operation

Starting Operation

Inserting the battery

Note: The use of batteries unsuitable for your power tool can lead to malfunctions or damage to the power tool.

Set the rotational direction switch **(10)** to the middle position to avoid unintentionally switching it on. Insert the charged battery **(7)** into the handle until you feel it engage and it is flush with the handle.

Setting the rotational direction (see figure B)

The rotational direction switch **(10)** is used to change the rotational direction of the power tool. However, this is not possible while the on/off switch **(11)** is being pressed.

Right rotation: To drill and to drive in screws, press the rotational direction switch **(10)** through to the left stop.

Left Rotation: To loosen and unscrew screws and nuts, press the rotational direction switch **(10)** through to the right stop.

Setting the operating mode



Drilling

GSR:

Set the torque presetting ring **(3)** to the required torque.

GSB:

Set the mode selector switch **(4)** to the "drilling" symbol.



Screwdriving

GSR:

Set the torque presetting ring **(3)** to the "screwdriving" symbol.

GSB:

Set the mode selector switch **(4)** to the "screwdriving" symbol.



Impact drilling (GSB)

Set the mode selector switch **(4)** to the "impact drilling" symbol.

Switching on/off

To **start** the power tool, press and hold the on/off switch **(11)**.

The LED **(9)** lights up when the on/off switch **(11)** is lightly or fully pressed, meaning that the work area is illuminated in poor lighting conditions.

To **switch off** the power tool, release the on/off switch **(11)**.

Adjusting the Speed

You can adjust the speed of the power tool when it is on by pressing in the on/off switch **(11)** to varying extents.

A light pressure on the on/off switch **(11)** results in a low rotational speed. Increased pressure on the switch causes an increase in speed.

Pre-selecting the torque

The torque presetting ring **(3)** can be used to pre-select the required torque in 20 stages. Once the set torque has been reached, the application tool will be stopped.

Mechanical Gear Selection

► **You can press the gear selector switch (5) with the power tool off or on. You should not do this at full load or maximum torque, however.**

Gear I:

Low speed range; for working with a large drilling diameter or for screwdriving.

Gear II:

High speed range; for working with a small drilling diameter.

Temperature-dependent overload protection

In normal conditions of use, the power tool cannot be overloaded. If the power tool is overloaded or the battery temperature is not kept within the permitted range, the power tool switches off and the LED on the power tool flashes. Allow the power tool to cool down before you carry on working.

Protection against deep discharge

The lithium-ion battery is protected against deep discharge by the "Electronic Cell Protection (ECP)". When the battery is discharged, the power tool is switched off by means of a protective circuit: The application tool no longer rotates.

Emergency switch-off (KickBack Control)



The emergency switch-off function (KickBack Control) gives the user greater control over the power tool and offers them better protection than power tools that do not have KickBack Control. The power tool will switch off if it suddenly and unforeseeably rotates around the drilling axis.

Rapid shut-off is indicated by the LED on the power tool flashing.

To **switch the tool back on**, release the on/off switch and then press it again.

► **If the KickBack Control function is defective, it will no longer be possible to switch the power tool on. Have the power tool serviced by a qualified repair person using only original replacement parts.**

Working Advice

► **Always slide the gear selector switch or turn the mode selector switch as far as it will go.** Otherwise, the power tool may become damaged.

► **Only apply the power tool to the screw/nut when the tool is switched off.** Rotating tool inserts can slip off.

An auxiliary tool can be used to remove the screwdriver bit or universal bit holder.

► **Working in especially dusty environments can lead to failure of the power tool. If the power tool suddenly fails, remove the carbon brushes and check them (see section "Replacing the carbon brushes").**

Maintenance and Service

Maintenance and cleaning

- ▶ **Remove the battery from the power tool before carrying out work on the power tool (e.g. maintenance, changing tool, etc.). The battery should also be removed for transport and storage.** There is risk of injury from unintentionally pressing the on/off switch.
- ▶ **To ensure safe and efficient operation, always keep the power tool and the ventilation slots clean.**

Replacing the carbon brushes (see figure C)

Check the length of the carbon brushes around every 2–3 months and replace both carbon brushes if required.

Never replace only a single carbon brush.

Note: Only use carbon brushes supplied by Bosch and intended specifically for your product.

- Unscrew the caps **(6)** using a suitable screwdriver.
- Replace the spring-loaded carbon brushes **(14)** and screw on the caps again.

If the battery is no longer working, please contact an authorised after-sales service centre for Bosch power tools.

After-Sales Service and Application Service

Our after-sales service responds to your questions concerning maintenance and repair of your product as well as spare parts. You can find explosion drawings and information on spare parts at: www.bosch-pt.com

The Bosch product use advice team will be happy to help you with any questions about our products and their accessories.

In all correspondence and spare parts orders, please always include the 10-digit article number given on the nameplate of the product.

Cambodia

Robert Bosch (Cambodia) Co., Ltd
Unit 8BC, GT Tower, 08th Floor, Street 169,
Czechoslovakia Blvd, Sangkat Veal Vong
Khan 7 Makara, Phnom Penh
VAT TIN: 100 169 511
Tel.: +855 23 900 685
Tel.: +855 23 900 660
www.bosch.com.kh

People's Republic of China

China Mainland

Bosch Power Tool (China) Co. Ltd.
Bosch Service Center
567, Bin Kang Road
Bin Kang District
Hangzhou, Zhejiang Province
China 310052
Tel.: (0571) 8887 5566 / 5588
Fax: (0571) 8887 6688 x 5566# / 5588#
E-Mail: bsc.hz@cn.bosch.com
www.bosch-pt.com.cn

HK and Macau Special Administrative Regions

Robert Bosch Co. Ltd.
Flat B, 2/F, Yeung Yiu Chung No. 6 Industrial Building,
19 Cheung Shun Street
Cheung Sha Wan
Kowloon, Hong Kong
Customer Service Hotline: +852 2101 0235
Fax: +852 2590 9762
E-Mail: info@hk.bosch.com
www.bosch-pt.com.hk

India

Bosch Service Center
69, Habibullah Road, (Next to PSBB School), T. Nagar
Chennai-600077
Phone: (044) 64561816
Bosch Service Center
18, Community Center
Phase 1, Mayapuri
New Delhi-110064
Phone: (011) 43166190

Indonesia

PT Robert Bosch
Palma Tower 10th Floor
Jalan RA Kartini II-S Kaveling 6
Pondok Pinang, Kebayoran Lama
Jakarta Selatan 12310
Tel.: (21) 3005-5800
www.bosch-pt.co.id

Malaysia

Robert Bosch Sdn. Bhd. (220975-V) PT/SMY
No. 8A, Jalan 13/6
46200 Petaling Jaya
Selangor
Tel.: (03) 79663194
Toll-Free: 1800 880188
Fax: (03) 79583838
E-Mail: kiathoe.chong@my.bosch.com
www.bosch-pt.com.my

Pakistan

Robert Bosch Middle East FZE – Pakistan Liaison Office
2nd Floor Plaza # 10, CCA Block, DHA Phase 5
Lahore, 54810
Phone: +92(303)4444311
Email: Faisal.Khan@bosch.com

Philippines

Robert Bosch, Inc.
28th Floor Fort Legend Towers,
3rd Avenue corner 31st Street,
Fort Bonifacio, Global City,
1634 Taguig City
Tel.: (632) 8703871
Fax: (632) 8703870
www.bosch-pt.com.ph

Singapore

Powerwell Service Centre Ptd Ltd
Bosch Authorised Service Centre (Power Tools)

4012 Ang Mo Kio Ave 10, #01-02 TECHplace
Singapore 569628
Tel.: 6452 1770
Fax: 6452 1760
E-Mail: ask@powerwellsc.com
www.powerwellsc.com
www.bosch-pt.com.sg

Thailand

Robert Bosch Ltd.
FYI Center Tower 1, 5th Floor,
2525 Rama IV Road, Klongtoei,
Bangkok 10110
Tel.: 02 0128888
Fax: 02 0645802
www.bosch.co.th
Bosch Service – Training Centre
La Salle Tower Ground Floor Unit No.2
10/11 La Salle Moo 16
Srinakharin Road
Bangkaew, Bang Plee
Samutprakarn 10540
Tel.: 02 7587555
Fax: 02 7587525

Vietnam

Branch of Bosch Vietnam Co., Ltd in HCMC
14th floor, Deutsches Haus, 33 Le Duan
Ben Nghe Ward, District 1, Ho Chi Minh City
Tel.: (028) 6258 3690
Fax: (028) 6258 3692 - 6258 3694
Hotline: (028) 6250 8555
Email: tuvankhachhang-pt@vn.bosch.com
www.bosch-pt.com.vn

Bahrain

EA Juffali and Brothers for Technical Equipment Company.
Kingdom of Bahrain, Al Aker - Block 0624 - Road 2403 -
Building 0055D
Phone: +97317704537
Fax: +973177045257
Email: h.berjas@ejab.com.sa

Egypt

RBEG-LLC
22 Kamal Eldin Hussein
Sheraton Heliopolis
11799 Cairo
E-mail: boschegypt.powertools@eg.bosch.com

Iran

Robert Bosch Iran
3rd Floor, No 3, Maadiran Building
Aftab St., Khodami St., Vanak Sq.
Tehran 1994834571
Phone: +9821- 86092057

Iraq

Sahba Technology Group
Al Muthana airport road
Baghdad
Phone Bagdad: +964 (0) 7 901 930366

Phone Dubai: +971 (0) 4 422 1898
Email: duraid@sahbatechnology.com

Jordan

Roots Arabia – Jordan
Al-Hurriyah Street, Al-Muqabalein
Amman 11623, Jordan
P.O. Box: 110068
Tel. : +962 6 4398990
E-mail: bosch@rootsjordan.com

Kuwait

Shuwaikh Industrial Area, Block 1, Plot 16, Street 3rd
P.O. Box 164 – Safat 13002
Phone: +965 - 2496 88 88
Fax: +965 - 2481 08 79
E-mail: josephkr@aaalmutawa.com

Lebanon

Tehini Hana & Co. S.A.R.L.
P.O. Box 90-449
Jdeideh 1202 2040
Dora-Beirut
Phone: +9611255211
Email: service-pt@tehini-hana.com

Libya

El Naser for Workshop Tools
Swanee Road, Alfalah Area
Tripoli
Phone: +218 21 4811184

Oman

Malatan Trading & Contracting LLC
P.O. Box 131, Ruwi, Muscat
Postal Code: 112, Sultanate of Oman
Phone: +968 2479 4035/4089/4901
Mob: +968-91315465
Fax: +968 2479 4058
E-Mail: sudhirkumar@malatan.net

Qatar

International Construction Solutions W L L
P. O. Box 51, Doha
Phone: +974 40065458
Fax: +974 4453 8585
Email: csd@icsdoha.com

Saudi Arabia

Juffali Technical Equipment Co. (JTECO)
P.O.Box: 1049 – Jeddah 21431 – KSA
Jeddah: 00966 (0) 12 692 0770 – Ext 433
Riyadh: 00966 (0) 11 409 3976 – Ext-30/34/39
Dammam: 00966 (0) 13 833 9565
E-mail: M.Zreik@ejab.com.sa

Syria

Dallal Establishment for Power Tools
Damascus. Baramkeh street - lbn Amer street,
Phone: +963112241006 or 009631122414009
Mobile: 00963991141005
Email: rita.dallal@hotmail.com

United Arab Emirates

Central Motors & Equipment,
P.O. Box 26255, Dubai
Dubai: 00971 (0) 4 3090920/3090930
Abu Dhabi: 00971 (0) 2 4017745
Sharjah: 00971 (0) 6 5932777
Al Ain: 00971 (0) 3 7157419
E-Mail: Mallappa.Madari@centralmotors.ae

Yemen

Abu Alrejal Trading Corporation
P.O. Box : 17024 , Zubeiry St.
Sana'a, Yemen
Tel: +967-1-20 20 10
Fax: +967-1-47 19 17
E-mail: tech-tools@abualrejal.com/yahya@abualrejal.com

Ethiopia

Forever plc
Kebele 2,754, BP 4806,
Addis Ababa
Phone: +251 111 560 600
Email: foreverplc@ethionet.et

Ghana

Robert Bosch Ghana Limited
21 Kofi Annan Road Airport Residential Area Accra
Tel. +233 (0)3027 94616

Kenya

Robert Bosch East Africa Ltd
Mpaka Road P.O. Box 856
00606 Nairobi

Nigeria

Robert Bosch Nigeria Ltd.
52-54 Isaac John Street P.O. Box
GRA Ikeja - Lagos

Tanzania

Diesel & Autoelectric Service Ltd.
117 Nyerere Rd., P.O. Box 70839
Vingunguti 12109, Dar Es Salaam
Phone: +255 222 861 793/794

Australia, New Zealand and Pacific Islands

Robert Bosch Australia Pty. Ltd.
Power Tools
Locked Bag 66
Clayton South VIC 3169
Customer Contact Center
Inside Australia:
Phone: (01300) 307044
Fax: (01300) 307045
Inside New Zealand:
Phone: (0800) 543353
Fax: (0800) 428570
Outside AU and NZ:
Phone: +61 3 95415555
www.bosch-pt.com.au
www.bosch-pt.co.nz

Republic of South Africa**Customer service**

Hotline: (011) 6519600

Gauteng - BSC Service Centre

35 Roper Street, New Centre
Johannesburg
Tel.: (011) 4939375
Fax: (011) 4930126
E-Mail: bsctools@icon.co.za

KZN - BSC Service Centre

Unit E, Almar Centre
143 Crompton Street
Pinetown
Tel.: (031) 7012120
Fax: (031) 7012446
E-Mail: bsc.dur@za.bosch.com

Western Cape - BSC Service Centre

Democracy Way, Prosperity Park
Milnerton
Tel.: (021) 5512577
Fax: (021) 5513223
E-Mail: bsc@zsd.co.za

Bosch Headquarters

Midrand, Gauteng
Tel.: (011) 6519600
Fax: (011) 6519880
E-Mail: rbsa-hq.pts@za.bosch.com

Armenia, Azerbaijan, Georgia

Robert Bosch Ltd.
David Agmashenebeli ave. 61
0102 Tbilisi, Georgia
Tel. +995322510073
www.bosch.com

Kyrgyzstan, Mongolia, Tajikistan, Turkmenistan, Uzbekistan

TOO "Robert Bosch" Power Tools, After Sales Service
Muratbaev Ave., 180
050012, Almaty, Kazakhstan
Service Email: service.pt.ka@bosch.com
Official Website: www.bosch.com, www.bosch-pt.com

Transport

The contained lithium-ion batteries are subject to the Dangerous Goods Legislation requirements. The batteries are suitable for road-transport by the user without further restrictions.

When shipping by third parties (e.g.: by air transport or forwarding agency), special requirements on packaging and labelling must be observed. For preparation of the item being shipped, consulting an expert for hazardous material is required.

Dispatch battery packs only when the housing is undamaged. Tape or mask off open contacts and pack up the battery in such a manner that it cannot move around in the packaging. Please also observe the possibility of more detailed national regulations.

Disposal



Power tools, rechargeable batteries, accessories and packaging should be sorted for environmental-friendly recycling.



Do not dispose of power tools and batteries/rechargeable batteries into household waste!

Battery packs/batteries:

Li-ion:

Please observe the notes in the section on transport (see "Transport", page 14).

Français

Consignes de sécurité

Avertissements de sécurité généraux pour l'outil électrique

AVERTISSEMENT

Lire tous les avertissements de sécurité, les instructions, les illustrations et les spécifications fournis avec cet outil électrique. Ne pas suivre les instructions énumérées ci-dessous peut provoquer un choc électrique, un incendie et/ou une blessure sérieuse.

Conserver tous les avertissements et toutes les instructions pour pouvoir s'y reporter ultérieurement.

Le terme "outil électrique" dans les avertissements fait référence à votre outil électrique alimenté par le secteur (avec cordon d'alimentation) ou votre outil électrique fonctionnant sur batterie (sans cordon d'alimentation).

Sécurité de la zone de travail

- ▶ **Conserv**er la zone de travail propre et bien éclairée. Les zones en désordre ou sombres sont propices aux accidents.
- ▶ **Ne pas faire fonctionner les outils électriques en atmosphère explosive, par exemple en présence de liquides inflammables, de gaz ou de poussières.** Les outils électriques produisent des étincelles qui peuvent enflammer les poussières ou les fumées.
- ▶ **Maintenir les enfants et les personnes présentes à l'écart pendant l'utilisation de l'outil électrique.** Les distractions peuvent vous faire perdre le contrôle de l'outil.

Sécurité électrique

- ▶ **Il faut que les fiches de l'outil électrique soient adaptées au socle. Ne jamais modifier la fiche de quelque façon que ce soit. Ne pas utiliser d'adaptateurs avec des outils électriques à branchement de terre.** Des fiches non modifiées et des socles adaptés réduisent le risque de choc électrique.

- ▶ **Éviter tout contact du corps avec des surfaces reliées à la terre telles que les tuyaux, les radiateurs, les cuisinières et les réfrigérateurs.** Il existe un risque accru de choc électrique si votre corps est relié à la terre.
- ▶ **Ne pas exposer les outils électriques à la pluie ou à des conditions humides.** La pénétration d'eau à l'intérieur d'un outil électrique augmente le risque de choc électrique.
- ▶ **Ne pas maltraiter le cordon. Ne jamais utiliser le cordon pour porter, tirer ou débrancher l'outil électrique. Maintenir le cordon à l'écart de la chaleur, du lubrifiant, des arêtes vives ou des parties en mouvement.** Des cordons endommagés ou emmêlés augmentent le risque de choc électrique.
- ▶ **Lorsqu'on utilise un outil électrique à l'extérieur, utiliser un prolongateur adapté à l'utilisation extérieure.** L'utilisation d'un cordon adapté à l'utilisation extérieure réduit le risque de choc électrique.
- ▶ **Si l'usage d'un outil électrique dans un emplacement humide est inévitable, utiliser une alimentation protégée par un dispositif à courant différentiel résiduel (RCD).** L'usage d'un RCD réduit le risque de choc électrique.

Sécurité des personnes

- ▶ **Rester vigilant, regarder ce que vous êtes en train de faire et faire preuve de bon sens dans votre utilisation de l'outil électrique. Ne pas utiliser un outil électrique lorsque vous êtes fatigué ou sous l'emprise de drogues, de l'alcool ou de médicaments.** Un moment d'inattention en cours d'utilisation d'un outil électrique peut entraîner des blessures graves.
- ▶ **Utiliser un équipement de protection individuelle. Toujours porter une protection pour les yeux.** Les équipements de protection individuelle tels que les masques contre les poussières, les chaussures de sécurité antidérapantes, les casques ou les protections auditives utilisés pour les conditions appropriées réduisent les blessures.
- ▶ **Éviter tout démarrage intempestif. S'assurer que l'interrupteur est en position arrêté avant de brancher l'outil au secteur et/ou au bloc de batteries, de le ramasser ou de le porter.** Porter les outils électriques en ayant le doigt sur l'interrupteur ou brancher des outils électriques dont l'interrupteur est en position marche est source d'accidents.
- ▶ **Retirer toute clé de réglage avant de mettre l'outil électrique en marche.** Une clé laissée fixée sur une partie tournante de l'outil électrique peut donner lieu à des blessures.
- ▶ **Ne pas se précipiter. Garder une position et un équilibre adaptés à tout moment.** Cela permet un meilleur contrôle de l'outil électrique dans des situations inattendues.
- ▶ **S'habiller de manière adaptée. Ne pas porter de vêtements amples ou de bijoux. Garder les cheveux et les vêtements à distance des parties en mouvement.** Des

vêtements amples, des bijoux ou les cheveux longs peuvent être pris dans des parties en mouvement.

- ▶ **Si des dispositifs sont fournis pour le raccordement d'équipements pour l'extraction et la récupération des poussières, s'assurer qu'ils sont connectés et correctement utilisés.** Utiliser des collecteurs de poussière peut réduire les risques dus aux poussières.
- ▶ **Rester vigilant et ne pas négliger les principes de sécurité de l'outil sous prétexte que vous avez l'habitude de l'utiliser.** Une fraction de seconde d'inattention peut provoquer une blessure grave.

Utilisation et entretien de l'outil électrique

- ▶ **Ne pas forcer l'outil électrique. Utiliser l'outil électrique adapté à votre application.** L'outil électrique adapté réalise mieux le travail et de manière plus sûre au régime pour lequel il a été construit.
- ▶ **Ne pas utiliser l'outil électrique si l'interrupteur ne permet pas de passer de l'état de marche à arrêt et inversement.** Tout outil électrique qui ne peut pas être commandé par l'interrupteur est dangereux et il faut le réparer.
- ▶ **Débrancher la fiche de la source d'alimentation et/ou enlever le bloc de batteries, s'il est amovible, avant tout réglage, changement d'accessoires ou avant de ranger l'outil électrique.** De telles mesures de sécurité préventives réduisent le risque de démarrage accidentel de l'outil électrique.
- ▶ **Conserver les outils électriques à l'arrêt hors de la portée des enfants et ne pas permettre à des personnes ne connaissant pas l'outil électrique ou les présentes instructions de le faire fonctionner.** Les outils électriques sont dangereux entre les mains d'utilisateurs novices.
- ▶ **Observer la maintenance des outils électriques et des accessoires. Vérifier qu'il n'y a pas de mauvais alignement ou de blocage des parties mobiles, des pièces cassées ou toute autre condition pouvant affecter le fonctionnement de l'outil électrique. En cas de dommages, faire réparer l'outil électrique avant de l'utiliser.** De nombreux accidents sont dus à des outils électriques mal entretenus.
- ▶ **Garder affûtés et propres les outils permettant de couper.** Des outils destinés à couper correctement entretenus avec des pièces coupantes tranchantes sont moins susceptibles de bloquer et sont plus faciles à contrôler.
- ▶ **Utiliser l'outil électrique, les accessoires et les lames etc., conformément à ces instructions, en tenant compte des conditions de travail et du travail à réaliser.** L'utilisation de l'outil électrique pour des opérations différentes de celles prévues peut donner lieu à des situations dangereuses.
- ▶ **Il faut que les poignées et les surfaces de préhension restent sèches, propres et dépourvues d'huiles et de graisses.** Des poignées et des surfaces de préhension glissantes rendent impossibles la manipulation et le

contrôle en toute sécurité de l'outil dans les situations inattendues.

Utilisation des outils fonctionnant sur batteries et précautions d'emploi

- ▶ **Ne recharger qu'avec le chargeur spécifié par le fabricant.** Un chargeur qui est adapté à un type de bloc de batteries peut créer un risque de feu lorsqu'il est utilisé avec un autre type de bloc de batteries.
- ▶ **N'utiliser les outils électriques qu'avec des blocs de batteries spécifiquement désignés.** L'utilisation de tout autre bloc de batteries peut créer un risque de blessure et de feu.
- ▶ **Lorsqu'un bloc de batteries n'est pas utilisé, le maintenir à l'écart de tout autre objet métallique, par exemple trombones, pièces de monnaie, clés, clous, vis ou autres objets de petite taille qui peuvent donner lieu à une connexion d'une borne à une autre.** Le court-circuitage des bornes d'une batterie entre elles peut causer des brûlures ou un feu.
- ▶ **Dans de mauvaises conditions, du liquide peut être éjecté de la batterie; éviter tout contact. En cas de contact accidentel, nettoyer à l'eau. Si le liquide entre en contact avec les yeux, rechercher en plus une aide médicale.** Le liquide éjecté des batteries peut causer des irritations ou des brûlures.
- ▶ **Ne pas utiliser un bloc de batteries ou un outil fonctionnant sur batteries qui a été endommagé ou modifié.** Les batteries endommagées ou modifiées peuvent avoir un comportement imprévisible provoquant un feu, une explosion ou un risque de blessure.
- ▶ **Ne pas exposer un bloc de batteries ou un outil fonctionnant sur batteries au feu ou à une température excessive.** Une exposition au feu ou à une température supérieure à 130°C peut provoquer une explosion.
- ▶ **Suivre toutes les instructions de charge et ne pas charger le bloc de batteries ou l'outil fonctionnant sur batteries hors de la plage de températures spécifiée dans les instructions.** Un chargement incorrect ou à des températures hors de la plage spécifiée de températures peut endommager la batterie et augmenter le risque de feu.

Maintenance et entretien

- ▶ **Faire entretenir l'outil électrique par un réparateur qualifié utilisant uniquement des pièces de rechange identiques.** Cela assure le maintien de la sécurité de l'outil électrique.
- ▶ **Ne jamais effectuer d'opération d'entretien sur des blocs de batteries endommagés.** Il convient que l'entretien des blocs de batteries ne soit effectué que par le fabricant ou les fournisseurs de service autorisés.

Consignes de sécurité pour perceuses et visseuses

Instructions de sécurité pour toutes les opérations

- ▶ **Porter des protecteurs d'oreille lors de l'utilisation de la perceuse à percussion.** Porter des protecteurs d'oreille lors de l'utilisation de la perceuse à percussion.
- ▶ **Tenir l'outil électrique par les surfaces de préhension isolées, au cours des opérations pendant lesquelles l'accessoire de coupe ou les fixations peut être en contact avec un câblage caché.** Un accessoire de coupe ou les fixations en contact avec un fil "sous tension" peut "mettre sous tension" les parties métalliques exposées de l'outil électrique et provoquer un choc électrique chez l'opérateur.

Instructions de sécurité pour l'utilisation de forets longs

- ▶ **Ne jamais utiliser à une vitesse supérieure à la vitesse assignée maximale du foret.** À des vitesses supérieures, le foret est susceptible de se plier s'il peut tourner librement sans être en contact avec la pièce à usiner, ce qui provoque des blessures.
- ▶ **Toujours commencer à percer à faible vitesse et en mettant l'embout du foret en contact avec la pièce à usiner.** À des vitesses supérieures, le foret est susceptible de se plier s'il peut tourner librement sans être en contact avec la pièce à usiner, ce qui provoque des blessures.
- ▶ **Appliquer une pression uniquement sur le foret et ne pas appliquer de pression excessive.** Les forets peuvent se plier, ce qui peut provoquer leur casse ou une perte de contrôle, et donc des blessures.

Consignes de sécurité additionnelles

- ▶ **Maintenez bien l'outil électroportatif en place.** Lors du serrage ou du desserrage des vis, des couples de réaction élevés peuvent survenir en peu de temps.
- ▶ **Bloquez la pièce à travailler.** Une pièce à travailler serrée par des dispositifs de serrage appropriés ou dans un étau est fixée de manière plus sûre que quand elle est tenue avec une main.
- ▶ **Utilisez un détecteur approprié pour vérifier s'il n'y a pas de conduites cachées ou contactez votre société de distribution d'eau locale.** Tout contact avec des câbles électriques peut provoquer un incendie ou un choc électrique. Tout endommagement d'une conduite de gaz peut provoquer une explosion. La perforation d'une conduite d'eau provoque des dégâts matériels.
- ▶ **Avant de poser l'outil électroportatif, attendez que celui-ci soit complètement à l'arrêt.** L'outil risque de se coincer, ce qui entraînerait une perte de contrôle de l'outil électroportatif.
- ▶ **Si l'accu est endommagé ou utilisé de manière non conforme, des vapeurs peuvent s'échapper. L'accu peut brûler ou exploser.** Ventilez le local et consultez un médecin en cas de malaise. Les vapeurs peuvent entraîner des irritations des voies respiratoires.
- ▶ **N'ouvrez pas l'accu.** Risque de court-circuit.

- ▶ **Les objets pointus comme un clou ou un tournevis et le fait d'exercer une force extérieure sur le boîtier risque d'endommager l'accu.** Il peut en résulter un court-circuit interne et l'accu risque de s'enflammer, de dégager des fumées, d'exploser ou de surchauffer.

- ▶ **N'utilisez l'accu qu'avec des produits du fabricant.** Tout risque de surcharge dangereuse sera alors exclu.



Conservez la batterie à l'abri de la chaleur, en la protégeant p. ex. de l'ensoleillement direct, du feu, de la saleté, de l'eau et de l'humidité. Il existe un risque d'explosion et de courts-circuits.



- ▶ **Arrêtez immédiatement l'outil électroportatif dès que l'accessoire se bloque. Attendez-vous à des couples de réaction importants causant des rebonds.** L'accessoire se bloque quand il reste coincé dans la pièce ou quand l'outil électroportatif est en surcharge.

Description des prestations et du produit



Lisez attentivement toutes les instructions et consignes de sécurité. Le non-respect des instructions et consignes de sécurité peut provoquer un choc électrique, un incendie et/ou entraîner de graves blessures.

Référez-vous aux illustrations qui se trouvent à l'avant de la notice d'utilisation.

Utilisation conforme

L'outil électroportatif est conçu pour le vissage et le dévissage de vis ainsi que pour le perçage dans le bois, le métal, la céramique et les matières plastiques. La GSB est également conçue pour le perçage à percussion dans la brique, le béton et la pierre naturelle.

Éléments constitutifs

La numérotation des éléments de l'appareil se réfère à la représentation de l'outil électroportatif sur la page graphique.

- (1) Porte-outil
- (2) Mandrin automatique
- (3) Bague de présélection de couple
- (4) Sélecteur de mode de fonctionnement (GSB)
- (5) Sélecteur de vitesse
- (6) Cache
- (7) Accu
- (8) Bouton de déverrouillage d'accu
- (9) Éclairage LED
- (10) Sélecteur de sens de rotation
- (11) Interrupteur Marche/Arrêt
- (12) Poignée (surface de préhension isolée)
- (13) Porte-embout universel^{A)}

(14) Charbons

(15) Touche d'activation de l'indicateur de niveau de charge

(16) Indicateur d'état de charge de l'accu

A) **Les accessoires décrits ou illustrés ne sont pas tous compris dans la fourniture. Vous trouverez les accessoires complets dans notre gamme d'accessoires.**

Caractéristiques techniques

Perceuse-visseuse sans fil		GSR 180-LI	GSB 180-LI
Référence		3 601 JF8 1..	3 601 JF8 3..
Tension nominale	V=	18	18
Régime à vide			
- 1re vitesse	tr/min	0-500	0-500
- 2e vitesse	tr/min	0-1900	0-1900
Fréquence de frappe	min ⁻¹	-	0-27 000
Couple de vissage maxi (dur/tendre) selon ISO 5393 ^{A)}	Nm	54/21	54/21
Ø de perçage maxi (1re/2e vitesse)			
- Bois	mm	35	35
- Acier	mm	10	10
- Maçonnerie	mm	-	10
Porte-outil		1,5-13	1,5-13
Ø de vissage maxi	mm	10	10
Poids selon EPTA-Procédure 01:2014 ^{A)}	kg	1,6-2,6	1,7-2,7
Températures ambiantes recommandées pour la charge	°C	0 ... +35	0 ... +35
Températures ambiantes autorisées pendant l'utilisation ^{B)} et pour le stockage	°C	-20 ... +50	-20 ... +50
Accus recommandés		GBA 18V... ProCORE18V...	GBA 18V... ProCORE18V...
Chargeurs recommandés		GAL 18... GAX 18... GAL 36...	GAL 18... GAX 18... GAL 36...

A) Dépend de l'accu utilisé

B) Performances réduites à des températures <0 °C

Montage

► **Retirez l'accu de l'appareil électroportatif avant toute intervention (opérations d'entretien/de maintenance, changement d'accessoire, etc.) ainsi que lors de son transport et rangement.** Il y a sinon risque de blessure lorsqu'on appuie par mégarde sur l'interrupteur Marche/Arrêt.

Recharge de l'accu

► **N'utilisez que les chargeurs indiqués dans les Caractéristiques techniques.** Ils sont les seuls à être adaptés à l'accu Lithium-Ion de votre outil électroportatif.

Remarque : L'accu est fourni partiellement chargé. Pour obtenir les performances maximales, chargez l'accu jusqu'à sa pleine capacité avant la première utilisation.

L'accu Lithium-Ion peut être rechargé à tout moment, sans risquer de réduire sa durée de vie. Le fait d'interrompre le processus de charge n'endommage pas l'accu.

L'accu Lithium-Ion est protégé contre une décharge complète par « Electronic Cell Protection (ECP) » (l'électronique de protection des cellules). Lorsque l'accu est déchargé, l'outil électroportatif s'arrête grâce à un dispositif d'arrêt de protection : l'accessoire de travail ne tourne plus.

► **Après l'arrêt automatique de l'outil électroportatif, n'appuyez plus sur l'interrupteur Marche/Arrêt.** L'accu pourrait être endommagé.

Respectez les indications concernant l'élimination.

Retrait de l'accu

L'accu (7) dispose de deux positions de verrouillage permettant d'éviter que l'accu tombe si l'on appuie par mégarde sur la touche de déverrouillage de l'accu (8). Tant que l'accu

reste en place dans l'outil électroportatif, un ressort le maintient en position.

Pour retirer l'accu (7), appuyez sur la touche de déverrouillage (8) et dégagez l'accu de l'outil électroportatif. **Ne forcez pas.**

Indicateur de niveau de charge de l'accu

Les LED vertes de l'indicateur d'état de charge (16) indiquent le niveau de charge de l'accu (7). Pour des raisons de sécurité, il n'est possible d'afficher l'état de charge que quand l'outil électroportatif est à l'arrêt.

Pour afficher le niveau de charge, actionnez le bouton (15) de l'indicateur de niveau de charge. L'affichage du niveau de charge est également possible après retrait de l'accu.

Si aucune LED ne s'allume après avoir appuyé sur le bouton (15), l'accu est défectueux et doit être remplacé.

Accu de type GBA 18V... (voir figure D1)

LED	Capacité
3 LED allumées en vert	60–100 %
2 LED allumées en vert	30–60 %
1 LED allumée en vert	5–30 %
Clignotement en vert de 3 LED	0–5 %

Accu de type ProCORE18V... (voir figure D2)

LED	Capacité
5 LED allumées en vert	80–100 %
4 LED allumées en vert	60–80 %
3 LED allumées en vert	40–60 %
2 LED allumées en vert	20–40 %
1 LED allumée en vert	5–20 %
Clignotement en vert d'1 LED	0–5 %

Changement d'accessoire (voir figure A)

- Retirez l'accu de l'appareil électroportatif avant toute intervention (opérations d'entretien/de maintenance, changement d'accessoire, etc.) ainsi que lors de son transport et rangement. Il y a sinon risque de blessure lorsqu'on appuie par mégarde sur l'interrupteur Marche/Arrêt.

Ouvrez le mandrin automatique (2) en le tournant dans le sens ① jusqu'à ce que l'accessoire puisse être inséré. Insérez l'accessoire de travail.

Tournez fermement à la main la bague du mandrin automatique (2) dans le sens ②. Le mandrin se verrouille alors automatiquement.

Aspiration de poussières/de copeaux

Les poussières de matériaux tels que peintures contenant du plomb, certains bois, minéraux ou métaux, peuvent être nuisibles à la santé. Entrer en contact ou aspirer les poussières peut entraîner des réactions allergiques et/ou des maladies respiratoires auprès de l'utilisateur ou de personnes se trouvant à proximité.

Certaines poussières telles que les poussières de chêne ou de hêtre sont considérées comme cancérigènes, surtout en association avec des additifs pour le traitement du bois (chromate, lazure). Les matériaux contenant de l'amiante ne doivent être travaillés que par des personnes qualifiées.

- Veillez à bien aérer la zone de travail.
- Il est recommandé de porter un masque respiratoire avec un niveau de filtration de classe P2.

Respectez les règlements spécifiques aux matériaux à traiter en vigueur dans votre pays.

- Évitez toute accumulation de poussières sur le lieu de travail. Les poussières peuvent facilement s'enflammer.

Mise en marche

Mise en marche

Montage de l'accu

Remarque : L'utilisation d'accus non conçus pour votre outil électroportatif peut entraîner des dysfonctionnements ou endommager l'outil électroportatif.

Mettez le sélecteur de sens de rotation (10) en position médiane pour éviter toute mise en marche non-intentionnelle. Montez l'accu chargé (7) dans la poignée jusqu'à ce qu'il s'encliquette de façon perceptible et affleure avec la poignée.

Sélection du sens de rotation (voir figure B)

Le sélecteur de sens de rotation (10) permet d'inverser le sens de rotation de l'outil électroportatif. Cela n'est toutefois pas possible lorsqu'on appuie sur l'interrupteur Marche/Arrêt (11).

Rotation droite : Pour percer et visser, poussez le sélecteur de sens de rotation (10) à fond vers la gauche.

Rotation gauche : Pour desserrer ou dévisser des vis et des écrous, actionnez le sélecteur de sens de rotation (10) à fond vers la droite.

Sélection du mode de fonctionnement



Perçage

GSR :

Réglez le couple souhaité avec la bague de présélection de couple (3).

GSB :

Placez le sélecteur de mode de fonctionnement (4) sur le symbole « Perçage ».



Vissage

GSB :

Placez la bague de présélection de couple (3) sur le symbole « Vissage ».

GSB :

Placez le sélecteur de mode de fonctionnement (4) sur le symbole « Vissage ».



Perçage avec percussion (GSB)

Placez le sélecteur de mode de fonctionnement (4) sur le symbole « Perçage avec percussion ».

Mise en marche/arrêt

Pour **mettre en marche** l'outil électroportatif, actionnez l'interrupteur Marche/Arrêt (11) et maintenez-le actionné.

La LED (9) s'allume lorsque l'interrupteur Marche/Arrêt (11) est enfoncé un peu ou complètement. Elle permet d'éclairer la zone de travail dans les endroits sombres.

Pour **arrêter** l'outil électroportatif, relâchez l'interrupteur Marche/Arrêt (11).

Réglage de la vitesse de rotation

Il est possible de faire varier en continu la vitesse de rotation de l'outil électroportatif en exerçant plus ou moins de pression sur l'interrupteur Marche/Arrêt (11).

Une légère pression sur l'interrupteur Marche/Arrêt (11) produit une faible vitesse de rotation. Plus l'on exerce de pression, plus la vitesse de rotation augmente.

Présélection du couple

La bague de présélection de couple (3) permet de préréglager le couple dans 20 positions. Dès que le couple réglé est atteint, l'accessoire de travail s'immobilise.

Sélection mécanique de la vitesse

- ▶ **Vous pouvez utiliser le sélecteur de vitesses (5) à l'arrêt ou lorsque l'outil électroportatif fonctionne. Cependant, il ne doit pas être en pleine charge ou à la vitesse maximale.**

Vitesse I :

Faible plage de vitesse de rotation ; pour diamètres de perçage importants ou pour le vissage.

Vitesse II :

Régime élevé ; pour les petits diamètres de perçage.

Protection contre les surcharges en fonction de la température

Si l'outil électroportatif est utilisé de manière conforme, tout risque de surcharge est exclu. En cas de trop forte sollicitation de l'outil ou de surchauffe de l'accu, l'outil électroportatif s'arrête et la LED de l'outil se met à clignoter. Laissez refroidir l'outil électroportatif avant de reprendre le travail.

Protection contre les décharges profondes

L'accu Lithium-Ion est protégé contre une décharge complète par « Electronic Cell Protection (ECP) » (l'électronique de protection des cellules). Lorsque l'accu est déchargé, l'outil électroportatif s'arrête grâce à un dispositif d'arrêt de protection : l'accessoire de travail s'immobilise.

Arrêt rapide (Kickback Control)



Le dispositif d'arrêt rapide (KickBack Control) améliore la maîtrise de l'outil électroportatif et donc la sécurité d'utilisation par rapport aux outils électroportatifs sans KickBack Control. L'outil électroportatif s'arrête immédiatement dès qu'il se met subitement, et de façon imprévisible, à tourner autour de l'axe du foret.

L'activation du dispositif d'arrêt rapide est signalée par le clignotement de la LED sur l'outil électroportatif.

Pour **remettre en marche** l'outil électroportatif, relâchez l'interrupteur Marche/Arrêt et actionnez-le à nouveau.

- ▶ **En cas de défaillance de la fonction KickBack Control, l'outil électroportatif ne peut plus être mis en marche. Faites réparer l'outil électroportatif par un réparateur qualifié en utilisant uniquement des pièces de rechange Bosch d'origine.**

Instructions d'utilisation

- ▶ **Poussez le sélecteur de vitesse et tournez le sélecteur de mode de fonctionnement toujours jusqu'en butée.** L'outil électroportatif risque sinon d'être endommagé.
- ▶ **Positionnez l'outil électroportatif sur la vis/sur l'écrou seulement lorsqu'il est à l'arrêt.** Un accessoire en rotation risque de glisser.

Pour retirer un embout de vissage ou le porte-embout universel, il est permis de s'aider d'un outil.

- ▶ **L'outil électroportatif risque de tomber en panne s'il est utilisé dans une atmosphère très poussiéreuse. En cas d'arrêt soudain de l'outil électroportatif, retirez les charbons et contrôlez leur état (voir la section « Remplacement des charbons »).**

Entretien et Service après-vente

Nettoyage et entretien

- ▶ **Retirez l'accu de l'appareil électroportatif avant toute intervention (opérations d'entretien/de maintenance, changement d'accessoire, etc.) ainsi que lors de son transport et rangement.** Il y a sinon risque de blessure lorsqu'on appuie par mégarde sur l'interrupteur Marche/Arrêt.
- ▶ **Tenez toujours propres l'outil électroportatif ainsi que les fentes de ventilation afin d'obtenir un travail impeccable et sûr.**

Remplacement des charbons (voir figure C)

Contrôlez la longueur des charbons tous les 2–3 mois environ et remplacez les deux charbons en cas de besoin.

Remplacez toujours les deux charbons à la fois !

Remarque : N'utilisez que les charbons Bosch d'origine qui sont prévus pour votre outil.

- Retirez les caches (6) avec un tournevis approprié.
- Remplacez les charbons (14) montés sur ressort et revissez les caches.

Au cas où l'accu devait ne plus fonctionner, adressez-vous à un centre de Service Après-Vente agréé pour outillage électroportatif Bosch.

Service après-vente et conseil utilisateurs

Notre Service après-vente répond à vos questions concernant la réparation et l'entretien de votre produit et les pièces de rechange. Vous trouverez des vues éclatées et des informations sur les pièces de rechange sur le site : www.bosch-

pt.com

L'équipe de conseil utilisateurs Bosch se tient à votre disposition pour répondre à vos questions concernant nos produits et leurs accessoires.

Pour toute demande de renseignement ou toute commande de pièces de rechange, précisez impérativement la référence à 10 chiffres figurant sur l'étiquette signalétique du produit.

Algérie

Siestal
Zone Industrielle Ihaddaden
06000 Bejaia
Tel. : +213 (0) 982 400 991/2
Fax : +213 (0) 3 420 1569
E-Mail : sav@siestal-dz.com

Maroc

Robert Bosch Morocco SARL
53, Rue Lieutenant Mahroud Mohamed
20300 Casablanca
Tel.: +212 5 29 31 43 27
E-Mail : sav.outillage@ma.bosch.com

Tunisie

Robert Bosch Tunisie SARL
7 Rue Ibn Battouta Z.I. Saint Gobain
Mégrine Riadh
2014 Ben Arous
Tél. : +216 71 427 496/879
Fax : +216 71 428 621
E-Mail : sav.outillage@tn.bosch.com

Côte d'Ivoire

Rimco
ZONE 3, 9 RUE DU CANAL
01 BP V230, Abidjan 01
Tel. : +225 21 25 93 38

Sénégal

Bernabé
Km 2,5 – Bd du Centenaire de la Commune de Dakar
B.P. 2098 DAKAR
Tel. : +221 33 849 01 01
Fax : +221 33 823 34 20

Transport

Les accus Lithium-ion sont soumis à la réglementation relative au transport de matières dangereuses. Pour le transport par voie routière, aucune mesure supplémentaire n'a besoin d'être prise.

Lors d'une expédition par un tiers (par ex. transport aérien ou entreprise de transport), des mesures spécifiques doivent être prises concernant l'emballage et le marquage. Pour la préparation de l'envoi, faites-vous conseiller par un expert en transport de matières dangereuses.

N'expédiez que des accus dont le boîtier n'est pas endommagé. Recouvrez les contacts non protégés et emballez l'accu de manière à ce qu'il ne puisse pas se déplacer dans l'emballage. Veuillez également respecter les réglementations supplémentaires éventuellement en vigueur.

Élimination des déchets

Les outils électroportatifs, les accus ainsi que leurs accessoires et emballages doivent être rapportés dans un centre de recyclage respectueux de l'environnement.



Ne jetez pas les outils électroportatifs et les accus/piles avec les ordures ménagères !

Accus/piles :**Li-Ion :**

Veuillez respecter les indications se trouvant dans le chapitre Transport (voir « Transport », Page 21).

**Português****Instruções de segurança****Instruções gerais de segurança para ferramentas eléctricas****AVISO**

Devem ser lidas todas as indicações de segurança,

instruções, ilustrações e especificações desta ferramenta eléctrica. O desrespeito das instruções apresentadas abaixo poderá resultar em choque eléctrico, incêndio e/ou ferimentos graves.

Guarde bem todas as advertências e instruções para futura referência.

O termo "ferramenta eléctrica" utilizado a seguir nas indicações de advertência, refere-se a ferramentas eléctricas operadas com corrente de rede (com cabo de rede) e a ferramentas eléctricas operadas com acumulador (sem cabo de rede).

Segurança da área de trabalho

- ▶ **Mantenha a sua área de trabalho sempre limpa e bem iluminada.** Desordem ou áreas de trabalho insuficientemente iluminadas podem levar a acidentes.
- ▶ **Não trabalhar com a ferramenta eléctrica em áreas com risco de explosão, nas quais se encontrem líquidos, gases ou pós inflamáveis.** Ferramentas eléctricas produzem faíscas, que podem inflamar pós ou vapores.
- ▶ **Manter crianças e outras pessoas afastadas da ferramenta eléctrica durante a utilização.** No caso de distração é possível que perca o controlo sobre o aparelho.

Segurança eléctrica

- ▶ **A ficha de conexão da ferramenta eléctrica deve caber na tomada. A ficha não deve ser modificada de maneira alguma. Não utilizar uma ficha de adaptação**

- junto com ferramentas eléctricas protegidas por ligação à terra.** Fichas não modificadas e tomadas apropriadas reduzem o risco de um choque eléctrico.
- ▶ **Evitar que o corpo possa entrar em contacto com superfícies ligadas à terra, como tubos, aquecimentos, fogões e frigoríficos.** Há um risco elevado devido a um choque eléctrico, se o corpo estiver ligado à terra.
 - ▶ **Manter o aparelho afastado de chuva ou humidade.** A infiltração de água numa ferramenta eléctrica aumenta o risco de choque eléctrico.
 - ▶ **Não deverá utilizar o cabo para outras finalidades. Nunca utilizar o cabo para transportar a ferramenta eléctrica, para pendurá-la, nem para puxar a ficha da tomada. Manter o cabo afastado do calor, do óleo, de arestas afiadas ou de peças em movimento.** Cabos danificados ou emaranhados aumentam o risco de um choque eléctrico.
 - ▶ **Se trabalhar com uma ferramenta eléctrica ao ar livre, só deverá utilizar cabos de extensão apropriados para áreas exteriores.** A utilização de um cabo de extensão apropriado para áreas exteriores reduz o risco de um choque eléctrico.
 - ▶ **Se não for possível evitar o funcionamento da ferramenta eléctrica em áreas húmidas, deverá ser utilizado um disjuntor de corrente de avaria.** A utilização de um disjuntor de corrente de avaria reduz o risco de um choque eléctrico.

Segurança de pessoas

- ▶ **Esteja atento, observe o que está a fazer e tenha prudência ao trabalhar com a ferramenta eléctrica. Não utilizar uma ferramenta eléctrica quando estiver fatigado ou sob a influência de drogas, álcool ou medicamentos.** Um momento de descuido ao utilizar a ferramenta eléctrica, pode levar a lesões graves.
 - ▶ **Utilizar equipamento de protecção individual. Utilizar sempre óculos de protecção.** A utilização de equipamento de protecção pessoal, como máscara de protecção contra pó, sapatos de segurança antiderrapantes, capacete de segurança ou protecção auricular, de acordo com o tipo e aplicação da ferramenta eléctrica, reduz o risco de lesões.
 - ▶ **Evitar uma colocação em funcionamento involuntária. Assegure-se de que a ferramenta eléctrica esteja desligada, antes de conectá-la à alimentação de rede e/ou ao acumulador, antes de levantá-la ou de transportá-la.** Se tiver o dedo no interruptor ao transportar a ferramenta eléctrica ou se o aparelho for conectado à alimentação de rede enquanto estiver ligado, poderão ocorrer acidentes.
 - ▶ **Remover ferramentas de ajuste ou chaves de boca antes de ligar a ferramenta eléctrica.** Uma ferramenta ou chave que se encontre numa parte do aparelho em movimento pode levar a lesões.
 - ▶ **Evite uma posição anormal. Mantenha uma posição firme e mantenha sempre o equilíbrio.** Desta forma é
- mais fácil controlar a ferramenta eléctrica em situações inesperadas.
- ▶ **Usar roupa apropriada. Não usar roupa larga nem jóias. Mantenha os cabelos e roupas afastados de peças em movimento.** Roupas frouxas, cabelos longos ou jóias podem ser agarrados por peças em movimento.
 - ▶ **Se for possível montar dispositivos de aspiração ou de recolha, assegure-se de que estejam conectados e utilizados correctamente.** A utilização de uma aspiração de pó pode reduzir o perigo devido ao pó.
 - ▶ **Não deixe que a familiaridade resultante de uma utilização frequente de ferramentas permita que você se torne complacente e ignore os princípios de segurança da ferramenta.** Uma acção descuidada pode causar ferimentos graves numa fracção de segundo.

Utilização e manuseio cuidadoso de ferramentas eléctricas

- ▶ **Não sobrecarregue a ferramenta eléctrica. Utilize a ferramenta eléctrica apropriada para o seu trabalho.** É melhor e mais seguro trabalhar com a ferramenta eléctrica apropriada na área de potência indicada.
- ▶ **Não utilizar uma ferramenta eléctrica com um interruptor defeituoso.** Uma ferramenta eléctrica que não pode mais ser ligada nem desligada, é perigosa e deve ser reparada.
- ▶ **Puxar a ficha da tomada e/ou remover o acumulador, se amovível, antes de executar ajustes na ferramenta eléctrica, de substituir acessórios ou de guardar as ferramentas eléctricas.** Esta medida de segurança evita o arranque involuntário da ferramenta eléctrica.
- ▶ **Guardar ferramentas eléctricas não utilizadas fora do alcance de crianças e não permitir que as pessoas que não estejam familiarizadas com o aparelho ou que não tenham lido estas instruções utilizem o aparelho.** Ferramentas eléctricas são perigosas se forem utilizadas por pessoas inexperientes.
- ▶ **Tratar a ferramenta eléctrica e os acessórios com cuidado. Controlar se as partes móveis do aparelho funcionam perfeitamente e não emperram, e se há peças quebradas ou danificadas que possam prejudicar o funcionamento da ferramenta eléctrica. Permitir que peças danificadas sejam reparadas antes da utilização.** Muitos acidentes têm como causa, a manutenção insuficiente de ferramentas eléctricas.
- ▶ **Manter as ferramentas de corte afiadas e limpas.** Ferramentas de corte cuidadosamente tratadas e com cantos de corte afiados emperram com menos frequência e podem ser conduzidas com maior facilidade.
- ▶ **Utilizar a ferramenta eléctrica, acessórios, ferramentas de aplicação, etc. conforme estas instruções. Considerar as condições de trabalho e a tarefa a ser executada.** A utilização de ferramentas eléctricas para outras tarefas a não ser as aplicações previstas, pode levar a situações perigosas.
- ▶ **Mantenha os punhos e as superfícies de agarrar secas, limpas e livres de óleo e massa consistente.** Punhos e

superfícies de agarrar escorregadias não permitem o manuseio e controle seguros da ferramenta em situações inesperadas.

Manuseio e utilização cuidadosos de ferramentas com acumuladores

- ▶ **Só carregar acumuladores em carregadores recomendados pelo fabricante.** Há perigo de incêndio se um carregador apropriado para um certo tipo de acumuladores for utilizado para carregar acumuladores de outros tipos.
- ▶ **Só utilizar ferramentas eléctricas com os acumuladores apropriados.** A utilização de outros acumuladores pode levar a lesões e perigo de incêndio.
- ▶ **Manter o acumulador que não está sendo utilizado afastado de cliques, moedas, chaves, parafusos ou outros pequenos objectos metálicos que possam causar um curto-circuito dos contactos.** Um curto-circuito entre os contactos do acumulador pode ter como consequência queimaduras ou fogo.
- ▶ **No caso de aplicação incorrecta pode vaziar líquido do acumulador. Evitar o contacto. No caso de um contacto accidental, deverá enxaguar com água. Se o líquido entrar em contacto com os olhos, também deverá consultar um médico.** Líquido que escapa do acumulador pode levar a irritações da pele ou a queimaduras.
- ▶ **Não use um acumulador ou uma ferramenta danificada ou modificada.** Os acumuladores danificados ou modificados exibem um comportamento imprevisível podendo causar incêndio, explosão ou risco de lesão.
- ▶ **Não exponha o acumulador ou a ferramenta ao fogo ou temperatura excessiva.** A exposição ao fogo ou a temperaturas acima de 130 °C pode causar explosão.
- ▶ **Siga todas as instruções de carregamento e não carregue o acumulador ou a ferramenta fora da faixa de temperatura especificada no manual de instruções.** Carregar indevidamente ou em temperaturas fora da faixa especificada pode danificar o acumulador e aumentar o risco de incêndio.

Serviço

- ▶ **Só permita que o seu aparelho seja reparado por pessoal especializado e qualificado e só com peças de reposição originais.** Desta forma é assegurado o funcionamento seguro do aparelho.
- ▶ **Nunca tente reparar acumuladores danificados.** A reparação de acumuladores deve ser realizada apenas pelo fabricante ou agentes de assistência autorizados.

Indicações de segurança para berbequins e aparafusadoras

Instruções de segurança para todas as operações

- ▶ **Use protetores auditivos ao perfurar com impacto.** A exposição ao ruído pode provocar a perda da audição.
- ▶ **Segure a ferramenta eléctrica nas superfícies de agarrar isoladas, ao executar uma operação onde o**

acessório de corte ou elemento de fixação possam entrar em contacto com cabos escondidos. Se o acessório de corte ou os elementos de fixação entrarem em contacto com um cabo "sob tensão", as partes metálicas expostas da ferramenta eléctrica ficam "sob tensão" e podem produzir um choque eléctrico.

Instruções de segurança ao usar brocas longas

- ▶ **Nunca opere a uma velocidade maior do que a velocidade máxima da broca.** A velocidades mais altas, a broca pode dobrar-se ao rodar livremente sem entrar em contacto com a peça de trabalho, causando ferimento pessoal.
- ▶ **Comece sempre a perfurar a baixa velocidade e com a ponta da broca em contacto com a peça de trabalho.** A velocidades mais altas, a broca pode dobrar-se ao rodar livremente sem entrar em contacto com a peça de trabalho, causando ferimento pessoal.
- ▶ **Aplique pressão apenas em linha direta com a broca e não aplique pressão excessiva.** As brocas podem dobrar-se, causando rutura ou perda de controlo, ou mesmo ferimento pessoal.

Instruções de segurança adicionais

- ▶ **Segure bem a ferramenta eléctrica.** Ao apertar e soltar parafusos podem ocorrer temporariamente elevados momentos de reação.
- ▶ **Fixar a peça a ser trabalhada.** Uma peça a ser trabalhada fixa com dispositivos de aperto ou com torno de bancada está mais firme do que segurada com a mão.
- ▶ **Utilizar detetores apropriados, para encontrar cabos escondidos, ou consulte a companhia eléctrica local.** O contacto com cabos eléctricos pode provocar fogo e choques eléctricos. Danos em tubos de gás podem levar à explosão. A infiltração num cano de água provoca danos materiais.
- ▶ **Espere que a ferramenta eléctrica pare completamente, antes de depositá-la.** A ferramenta de aplicação pode emperrar e levar à perda de controlo sobre a ferramenta eléctrica.
- ▶ **Em caso de danos e de utilização incorreta da bateria, podem escapar vapores. A bateria pode incendiar-se ou explodir.** Areje o espaço e procure assistência médica no caso de apresentar queixas. É possível que os vapores irrite as vias respiratórias.
- ▶ **Não abrir o acumulador.** Há risco de um curto-circuito.
- ▶ **Os objetos afiados como, p. ex., pregos ou chaves de fendas, assim como o efeito de forças externas podem danificar o acumulador.** Podem causar um curto-circuito interno e o acumulador pode ficar queimado, deitar fumo, explodir ou sobreaquecer.
- ▶ **Use a bateria apenas em produtos do fabricante.** Só assim é que a bateria é protegida contra sobrecarga perigosa.



Proteger a bateria contra calor, p. ex. também contra uma permanente radiação solar, fogo, sujidade, água e humidade. Há risco de explosão ou de um curto-circuito.



- ▶ **Desligue a ferramenta de imediato se a ferramenta de trabalho encravar. Esteja atento aos binários de reação que podem dar origem a contragolpes.** O acessório acoplável fica encravado se a ferramenta elétrica for sobrecarregada ou se ficar emperrada na peça a ser trabalhada.

Descrição do produto e do serviço



Leia todas as instruções de segurança e instruções. A inobservância das instruções de segurança e das instruções pode causar choque elétrico, incêndio e/ou ferimentos graves.

Respeite as figuras na parte da frente do manual de instruções.

Utilização adequada

A ferramenta elétrica destina-se a apertar e desapertar parafusos e a furar madeira, metal, cerâmica e plástico. O GSB destina-se adicionalmente a furar com percussão em tijolo, betão e pedra.

Componentes ilustrados

A numeração dos componentes ilustrados refere-se à apresentação da ferramenta elétrica na página de esquemas.

- (1) Encabadouro
- (2) Bucha de aperto rápido
- (3) Anel de ajuste da pré-seleção do binário
- (4) Seletor do modo de operação (GSB)
- (5) Seletor de velocidade
- (6) Tampa
- (7) Bateria
- (8) Tecla de desbloqueio da bateria
- (9) Luz de trabalho
- (10) Comutador do sentido de rotação
- (11) Interruptor de ligar/desligar
- (12) Punho (superfície do punho isolada)
- (13) Porta-bits universal^{A)}
- (14) Escovas de carvão
- (15) Tecla indicador do nível de carga
- (16) Indicador do nível de carga da bateria

A) **Acessórios apresentados ou descritos não pertencem ao volume de fornecimento padrão. Todos os acessórios encontram-se no nosso programa de acessórios.**

Dados técnicos

Aparafusadora/berbequim sem fio		GSR 180-LI	GSB 180-LI
Número de produto		3 601 JF8 1..	3 601 JF8 3..
Tensão nominal	V=	18	18
N.º de rotações em vazio			
– 1.ª velocidade	min ⁻¹	0–500	0–500
– 2.ª velocidade	min ⁻¹	0–1900	0–1900
N.º de impactos	min ⁻¹	–	0–27000
Máx. binário de aparafusamento duro/macio conforme ISO 5393 ^{A)}	Nm	54/21	54/21
Ø máx. de perfuração (1.ª e 2.ª velocidade)			
– Madeira	mm	35	35
– Aço	mm	10	10
– Alvenaria	mm	–	10
Encabadouro		1,5–13	1,5–13
Ø máximo do parafuso	mm	10	10
Peso conforme EPTA-Procedure 01:2014 ^{A)}	kg	1,6–2,6	1,7–2,7
Temperatura ambiente recomendada durante o carregamento	°C	0 ... +35	0 ... +35
Temperatura ambiente admissível em funcionamento ^{B)} e durante o armazenamento	°C	–20 ... +50	–20 ... +50
Baterias recomendadas		GBA 18V... ProCORE18V...	GBA 18V... ProCORE18V...

Aparafusadora/berbequim sem fio	GSR 180-LI	GSB 180-LI
Carregadores recomendados	GAL 18... GAX 18... GAL 36...	GAL 18... GAX 18... GAL 36...

A) dependendo da bateria utilizada

B) potência limitada com temperaturas <0 °C

Montagem

- ▶ **A bateria deverá ser retirada antes de todos os trabalhos na ferramenta elétrica (p. ex. manutenção, troca de ferramenta etc.) e antes de transportar ou de armazenar a mesma.** Há perigo de ferimentos se o interruptor de ligar/desligar for acionado involuntariamente.

Carregar a bateria

- ▶ **Utilize apenas os carregadores listados nos dados técnicos.** Só estes carregadores são apropriados para as baterias de lítio utilizadas na sua ferramenta elétrica.

Nota: A bateria é fornecida parcialmente carregada. Para assegurar a completa potência da bateria, a bateria deverá ser carregada completamente no carregador antes da primeira utilização.

A bateria de lítio pode ser carregada a qualquer altura, sem que a sua vida útil seja reduzida. Uma interrupção do processo de carga não danifica a bateria.

O acumulador de iões de lítio está protegido contra descarga completa pelo sistema "Electronic Cell Protection (ECP)". A ferramenta elétrica é desligada através de um disjuntor de proteção, logo que o acumulador estiver descarregado. A ferramenta de trabalho não se movimenta mais.

- ▶ **Não continuar a premir o interruptor de ligar/desligar após o desligamento automático da ferramenta elétrica.** A bateria pode ser danificada.

Observe as indicações sobre a eliminação de forma ecológica.

Retirar a bateria

A bateria (7) possui dois níveis de travamento, que devem evitar, que a bateria caia, caso a tecla de desbloqueio (8) seja premida por acaso. Enquanto a bateria estiver dentro da ferramenta elétrica, ela é mantida em posição por uma mola.

Para retirar a bateria (7) pressione a tecla de desbloqueio (8) e puxe a bateria para a retirar da ferramenta elétrica.

Não empregar força.

Indicador do nível de carga da bateria

Os LEDs verdes do indicador do nível de carga da bateria (16) indicam o nível de carga da bateria (7). Por motivos de segurança, a consulta do nível de carga só é possível com a ferramenta elétrica parada.

Prima a tecla indicador do nível de carga (15), para visualizar o nível de carga. Isto também é possível com a bateria removida.

Se depois de premir a tecla indicador do nível de carga (15) não se acender qualquer LED, a bateria tem defeito e tem de ser substituída.

Tipo de bateria GBA 18V... (ver figura D1)

LEDs	Capacidade
Luz permanente 3× verde	60–100 %
Luz permanente 2× verde	30–60 %
Luz permanente 1× verde	5–30 %
Luz intermitente 3× verde	0–5 %

Tipo de bateria ProCORE18V... (ver figura D2)

LEDs	Capacidade
Luz permanente 5× verde	80–100 %
Luz permanente 4× verde	60–80 %
Luz permanente 3× verde	40–60 %
Luz permanente 2× verde	20–40 %
Luz permanente 1× verde	5–20 %
Luz intermitente 1× verde	0–5 %

Troca de ferramenta (ver figura A)

- ▶ **A bateria deverá ser retirada antes de todos os trabalhos na ferramenta elétrica (p. ex. manutenção, troca de ferramenta etc.) e antes de transportar ou de armazenar a mesma.** Há perigo de ferimentos se o interruptor de ligar/desligar for acionado involuntariamente.

Abra a bucha de aperto rápido (2) rodando no sentido ⚙ até a ferramenta poder ser inserida. Introduzir a ferramenta.

Aperte bem à mão a bucha da bucha de aperto rápido (2) no sentido de rotação ⚙. A bucha fica assim automaticamente bloqueada.

Aspiração de pó/de aparas

Pós de materiais como por exemplo, tintas que contém chumbo, alguns tipos de madeira, minerais e metais, podem ser nocivos à saúde. O contacto ou a inalação dos pós pode provocar reações alérgicas e/ou doenças nas vias respiratórias do utilizador ou das pessoas que se encontrem por perto.

Certos pós, como por exemplo pó de carvalho e faia são considerados como sendo cancerígenos, especialmente quando juntos com substâncias para o tratamento de madeiras (cromato, preservadores de madeira). Material que contém asbesto só deve ser processado por pessoal especializado.

- Assegurar uma boa ventilação do local de trabalho.

- É recomendável usar uma máscara de proteção respiratória com filtro da classe P2.

Observe as diretivas para os materiais a serem processados, vigentes no seu país.

- ▶ **Evite a acumulação de pó no local de trabalho.** Pó podem entrar levemente em ignição.

Funcionamento

Colocação em funcionamento

Colocar a bateria

Nota: A utilização de baterias não indicadas para a sua ferramenta elétrica pode causar falhas de funcionamento ou danos na ferramenta elétrica.

Coloque o comutador do sentido de rotação **(10)** no centro para evitar um ligamento inadvertido. Coloque a bateria carregada **(7)** no punho até esta encaixar de forma audível e ficar à face com o punho.

Ajustar o sentido de rotação (ver figura B)

Com o comutador de sentido de rotação **(10)** é possível alterar o sentido de rotação da ferramenta elétrica. Com o interruptor de ligar/desligar pressionado **(11)** isto no entanto não é possível.

Rotação à direita: Para furar e apertar parafusos prima o comutador do sentido de rotação **(10)** completamente para a esquerda.

Rotação à esquerda: para soltar ou retirar os parafusos pressione o conversor do sentido de rotação **(10)** para trás até ao batente.

Ajustar o modo de operação



Furar
GSR:

Ajuste o anel de ajuste para a pré-seleção do binário **(3)** para o binário desejado.

GSB:

Coloque o seletor do modo de operação **(4)** no símbolo "Furar".



Parafusos
GSR:

Ajuste o anel de ajuste para a pré-seleção do binário **(3)** para o símbolo "Aparafusar".

GSB:

Coloque o seletor do modo de operação **(4)** no símbolo "Aparafusar".



Furar com percussão (GSB)

Coloque o seletor do modo de operação **(4)** no símbolo "Furar com percussão".

Ligar e desligar

Para a **colocação em funcionamento** da ferramenta elétrica deverá pressionar o interruptor de ligar/desligar **(11)** e mantenha-o pressionado.

O LED **(9)** acende-se com o interruptor para ligar/desligar **(11)** completamente ou ligeiramente premido e permite

iluminar o local de trabalho em caso de condições de iluminação desfavoráveis.

Para **desligar** a ferramenta elétrica, liberte o interruptor de ligar/desligar **(11)**.

Ajustar o número de rotações

Pode regular a velocidade da ferramenta elétrica ligada de forma contínua, consoante a pressão que faz no interruptor de ligar/desligar **(11)**.

Uma leve pressão sobre o interruptor de ligar/desligar **(11)** proporciona um número de rotações baixo.

Aumentando a pressão, é aumentado o n.º de rotações.

Pré-selecionar o binário

Com o anel de ajuste da pré-seleção do binário **(3)** pode pré-selecionar o binário necessário em 20 níveis. Assim que o binário ajustado seja alcançado, a ferramenta elétrica é parada.

Regulação mecânica da velocidade

- ▶ **Pode acionar o comutador de velocidade (5) com a ferramenta elétrica parada ou em funcionamento. No entanto, isto não deve ser feito com a carga total ou com a velocidade máxima.**

Velocidade I:

Baixa gama de número de rotações; para trabalhar com grandes diâmetros de perfuração ou para aparafusar.

Velocidade II:

Alta gama de número de rotações; para trabalhar com pequeno diâmetro de perfuração.

Indicador da proteção contra sobrecarga

Numa utilização correta, a ferramenta elétrica não pode ser sobrecarregada. Em caso de sobrecarga ou saída da faixa de temperatura permitida para a bateria, a ferramenta elétrica desliga-se e o LED na ferramenta elétrica pisca. Deixe a ferramenta elétrica arrefecer antes de continuar a trabalhar.

Proteção contra descarga completa

O acumulador de iões de lítio está protegido contra descarga completa pelo sistema "Electronic Cell Protection (ECP)". A ferramenta elétrica é desligada através de um disjuntor de proteção, logo que o acumulador estiver descarregado. A ferramenta de trabalho não se movimenta mais.

Desligamento rápido (Kickback Control)



O desligamento rápido (KickBack Control) oferece um melhor controlo sobre a ferramenta elétrica e aumenta assim a proteção do utilizador comparativamente a ferramentas elétricas sem KickBack Control. Em caso de uma rotação repentina e imprevista da ferramenta elétrica sobre o eixo de perfuração, a ferramenta elétrica desliga-se.

Um desligamento rápido é indicado através do LED na ferramenta elétrica.

Para **voltar a colocar em funcionamento** solte o interruptor de ligar/desligar e volte a acioná-lo.

- ▶ **Se a função Kickback Control estiver com defeito, não é possível voltar a ligar a ferramenta elétrica. Só**

permita que a sua ferramenta elétrica seja reparada por pessoal especializado e qualificado e só com peças de reposição originais.

Instruções de trabalho

- ▶ **Sempre empurrar o seletor de velocidade ou o seletor do modo de operação até o fim.** Caso contrário é possível que a ferramenta elétrica seja danificada.
- ▶ **Utilizar os punhos adicionais fornecidos com a ferramenta elétrica.** A perda de controle sobre a ferramenta elétrica pode levar a lesões.

Para retirar a ponta de aparafusar ou porta-bits universal, não pode ser usada uma ferramenta auxiliar.

- ▶ **Trabalhar num ambiente muito poeirento pode originar uma falha na ferramenta elétrica. Se a ferramenta elétrica falhar de repente, desmonte as escovas de carvão e verifique o seu estado (ver secção "Trocar as escovas de carvão").**

Manutenção e assistência técnica

Manutenção e limpeza

- ▶ **A bateria deverá ser retirada antes de todos os trabalhos na ferramenta elétrica (p. ex. manutenção, troca de ferramenta etc.) e antes de transportar ou de armazenar a mesma.** Há perigo de ferimentos se o interruptor de ligar/desligar for acionado involuntariamente.
- ▶ **Manter a ferramenta elétrica e as aberturas de ventilação sempre limpas, para trabalhar bem e de forma segura.**

Trocar as escovas de carvão (ver figura C)

Verifique o comprimento das escovas de carvão a cada 2–3 meses e, se necessário, troque as duas escovas de carvão. Nunca substitua apenas uma escova de carvão!

Nota: utilize apenas escovas de carvão adquiridas através da Bosch, as quais são apropriadas para o seu produto.

- Solte as capas **(6)** com uma chave de parafusos apropriada.
- Substitua as escovas de carvão **(14)** que estão sob pressão de mola e aparafuse novamente as capas.

Se a bateria já não estiver operacional, contacte um serviço pós-venda autorizado para ferramentas elétricas Bosch.

Serviço pós-venda e aconselhamento

O serviço pós-venda responde às suas perguntas a respeito de serviços de reparação e de manutenção do seu produto, assim como das peças sobressalentes. Desenhos explodidos e informações acerca das peças sobressalentes também em: **www.bosch-pt.com**

A nossa equipa de consultores Bosch esclarece com prazer todas as suas dúvidas a respeito dos nossos produtos e acessórios.

Indique para todas as questões e encomendas de peças sobressalentes a referência de 10 dígitos de acordo com a placa de características do produto.

Brasil

Robert Bosch Ltda. – Divisão de Ferramentas Elétricas
Caixa postal 1195 – CEP: 13065-900
Campinas – SP
Tel.: 0800 7045 446
www.bosch.com.br/contato

Angola

Robert Bosch Ltd
Divisão de Ferramentas Elétricas
Estrada de Cacuaco 288
Luanda
Tel. : +244 927 584 446
<http://www.bosch-professional.com/ao/pt/>

Transporte

As baterias de íões de lítio, contidas, estão sujeitas ao direito de materiais perigosos. As baterias podem ser transportadas na rua pelo utilizador, sem mais obrigações.

Na expedição por terceiros (por ex: transporte aéreo ou expedição), devem ser observadas as especiais exigências quanto à embalagem e à designação. Neste caso é necessário consultar um especialista de materiais perigosos ao preparar a peça a ser trabalhada.

Só enviar baterias se a carcaça não estiver danificada. Colar contactos abertos e embalar a bateria de modo que não possa se movimentar dentro da embalagem. Por favor observe também eventuais diretivas nacionais suplementares.

Eliminação



As ferramentas elétricas, as baterias, os acessórios e as embalagens devem ser enviados a uma reciclagem ecológica de matéria prima.



Não deitar ferramentas elétricas e baterias/pilhas no lixo doméstico!

Baterias/pilhas:

Lítio:

Observar as indicações no capítulo Transporte (ver "Transporte", Página 27).

Español

Indicaciones de seguridad

Indicaciones generales de seguridad para herramientas eléctricas

⚠ ADVERTENCIA Lea íntegramente las advertencias de peligro, las instrucciones, las ilustraciones y las especificaciones entregadas con esta herramienta eléctrica. En caso de no atenerse a las instrucciones siguientes, ello puede ocasionar una descarga eléctrica, un incendio y/o una lesión grave.

Guardar todas las advertencias de peligro e instrucciones para futuras consultas.

El término "herramienta eléctrica" empleado en las siguientes advertencias de peligro se refiere a herramientas eléctricas de conexión a la red (con cable de red) y a herramientas eléctricas accionadas por acumulador (sin cable de red).

Seguridad del puesto de trabajo

- ▶ **Mantenga el área de trabajo limpia y bien iluminada.** Las áreas desordenadas u oscuras pueden provocar accidentes.
- ▶ **No utilice herramientas eléctricas en un entorno con peligro de explosión, en el que se encuentren combustibles líquidos, gases o material en polvo.** Las herramientas eléctricas producen chispas que pueden llegar a inflamar los materiales en polvo o vapores.
- ▶ **Mantenga alejados a los niños y otras personas de su puesto de trabajo al emplear la herramienta eléctrica.** Una distracción le puede hacer perder el control sobre la herramienta eléctrica.

Seguridad eléctrica

- ▶ **El enchufe de la herramienta eléctrica debe corresponder a la toma de corriente utilizada. No es admisible modificar el enchufe en forma alguna. No emplear adaptadores en herramientas eléctricas dotadas con una toma de tierra.** Los enchufes sin modificar adecuados a las respectivas tomas de corriente reducen el riesgo de una descarga eléctrica.
- ▶ **Evite que su cuerpo toque partes conectadas a tierra como tuberías, radiadores, cocinas y refrigeradores.** El riesgo a quedar expuesto a una sacudida eléctrica es mayor si su cuerpo tiene contacto con tierra.
- ▶ **No esponga la herramienta eléctrica a la lluvia o a condiciones húmedas.** Existe el peligro de recibir una descarga eléctrica si penetran ciertos líquidos en la herramienta eléctrica.
- ▶ **No abuse del cable de red. No utilice el cable de red para transportar o colgar la herramienta eléctrica, ni tire de él para sacar el enchufe de la toma de corriente. Mantenga el cable de red alejado del calor, aceite, esquinas cortantes o piezas móviles.** Los cables de red

dañados o enredados pueden provocar una descarga eléctrica.

- ▶ **Al trabajar con la herramienta eléctrica a la intemperie utilice solamente cables de prolongación apropiados para su uso al aire libre.** La utilización de un cable de prolongación adecuado para su uso en exteriores reduce el riesgo de una descarga eléctrica.
- ▶ **Si fuese imprescindible utilizar la herramienta eléctrica en un entorno húmedo, es necesario conectarla a través de un dispositivo de corriente residual (RCD) de seguridad (fusible diferencial).** La aplicación de un fusible diferencial reduce el riesgo a exponerse a una descarga eléctrica.

Seguridad de personas

- ▶ **Esté atento a lo que hace y emplee sentido común cuando utilice una herramienta eléctrica. No utilice la herramienta eléctrica si estuviese cansado, ni tampoco después de haber consumido drogas, alcohol o medicamentos.** El no estar atento durante el uso de la herramienta eléctrica puede provocarle serias lesiones.
- ▶ **Utilice un equipo de protección personal. Utilice siempre una protección para los ojos.** El riesgo a lesionarse se reduce considerablemente si se utiliza un equipo de protección adecuado como una mascarilla antipolvo, zapatos de seguridad con suela antideslizante, casco, o protectores auditivos.
- ▶ **Evite una puesta en marcha involuntaria. Asegurarse de que la herramienta eléctrica esté desconectada antes de conectarla a la toma de corriente y/o al montar el acumulador, al recogerla y al transportarla.** Si transporta la herramienta eléctrica sujetándola por el interruptor de conexión/desconexión, o si alimenta la herramienta eléctrica estando ésta conectada, ello puede dar lugar a un accidente.
- ▶ **Retire las herramientas de ajuste o llaves fijas antes de conectar la herramienta eléctrica.** Una herramienta de ajuste o llave fija colocada en una pieza rotante puede producir lesiones al poner a funcionar la herramienta eléctrica.
- ▶ **Evite posturas arriesgadas. Trabaje sobre una base firme y mantenga el equilibrio en todo momento.** Ello le permitirá controlar mejor la herramienta eléctrica en caso de presentarse una situación inesperada.
- ▶ **Lleve puesta una vestimenta de trabajo adecuada. No utilice vestimenta amplia ni joyas. Mantenga su pelo y vestimenta alejados de las piezas móviles.** La vestimenta suelta, el pelo largo y las joyas se pueden enganchar con las piezas en movimiento.
- ▶ **Si se proporcionan dispositivos para la conexión de las instalaciones de extracción y recogida de polvo, asegúrese que éstos estén conectados y que sean utilizados correctamente.** El empleo de estos equipos reduce los riesgos derivados del polvo.
- ▶ **No permita que la familiaridad ganada por el uso frecuente de herramientas eléctricas lo deje caer en la complacencia e ignorar las normas de seguridad de**

herramientas. Una acción negligente puede causar lesiones graves en una fracción de segundo.

Uso y trato cuidadoso de herramientas eléctricas

- ▶ **No sobrecargue la herramienta eléctrica. Utilice la herramienta eléctrica adecuada para su aplicación.** Con la herramienta eléctrica adecuada podrá trabajar mejor y más seguro dentro del margen de potencia indicado.
- ▶ **No utilice la herramienta eléctrica si el interruptor está defectuoso.** Las herramientas eléctricas que no se puedan conectar o desconectar son peligrosas y deben hacerse reparar.
- ▶ **Saque el enchufe de la red y/o retire el acumulador desmontable de la herramienta eléctrica, antes de realizar un ajuste, cambiar de accesorio o al guardar la herramienta eléctrica.** Esta medida preventiva reduce el riesgo a conectar accidentalmente la herramienta eléctrica.
- ▶ **Guarde las herramientas eléctricas fuera del alcance de los niños. No permita la utilización de la herramienta eléctrica a aquellas personas que no estén familiarizadas con su uso o que no hayan leído estas instrucciones.** Las herramientas eléctricas utilizadas por personas inexpertas son peligrosas.
- ▶ **Cuide las herramientas eléctricas y los accesorios. Controle la alineación de las piezas móviles, rotura de piezas y cualquier otra condición que pudiera afectar el funcionamiento de la herramienta eléctrica. En caso de daño, la herramienta eléctrica debe repararse antes de su uso.** Muchos de los accidentes se deben a herramientas eléctricas con un mantenimiento deficiente.
- ▶ **Mantenga los útiles limpios y afilados.** Los útiles mantenidos correctamente se dejan guiar y controlar mejor.
- ▶ **Utilice la herramienta eléctrica, los accesorios, los útiles, etc. de acuerdo a estas instrucciones, considerando en ello las condiciones de trabajo y la tarea a realizar.** El uso de herramientas eléctricas para trabajos diferentes de aquellos para los que han sido concebidas puede resultar peligroso.
- ▶ **Mantenga las empuñaduras y las superficies de las empuñaduras secas, limpias y libres de aceite y grasa.** Las empuñaduras y las superficies de las empuñaduras resbaladizas no permiten un manejo y control seguro de la herramienta eléctrica en situaciones imprevistas.

Trato y uso cuidadoso de herramientas accionadas por acumulador

- ▶ **Solamente recargar los acumuladores con los cargadores especificados por el fabricante.** Existe un riesgo de incendio al intentar cargar acumuladores de un tipo diferente al previsto para el cargador.
- ▶ **Utilice las herramientas eléctricas sólo con los acumuladores específicamente designados.** El uso de otro tipo de acumuladores puede provocar daños e incluso un incendio.
- ▶ **Si no utiliza el acumulador, guárdelo separado de objetos metálicos, como clips de papel, monedas, llaves, clavos, tornillos u otros objetos metálicos pequeños**

que pudieran puentear sus contactos. El cortocircuito de los contactos del acumulador puede causar quemaduras o un incendio.

- ▶ **La utilización inadecuada del acumulador puede provocar fugas de líquido. Evite el contacto con él. En caso de un contacto accidental, enjuagar el área afectada con abundante agua. En caso de un contacto con los ojos, recurra además inmediatamente a ayuda médica.** El líquido del acumulador puede irritar la piel o producir quemaduras.
- ▶ **No emplee acumuladores o útiles dañados o modificados.** Los acumuladores dañados o modificados pueden comportarse en forma imprevisible y producir un fuego, explosión o peligro de lesión.
- ▶ **No exponga un paquete de baterías o una herramienta eléctrica al fuego o a una temperatura demasiado alta.** La exposición al fuego o a temperaturas sobre 130 °C puede causar una explosión.
- ▶ **Siga todas las instrucciones para la carga y no cargue nunca el acumulador o la herramienta eléctrica a una temperatura fuera del margen correspondiente especificado en las instrucciones.** Una carga inadecuada o a temperaturas fuera del margen especificado puede dañar el acumulador y aumentar el riesgo de incendio.

Servicio

- ▶ **Únicamente deje reparar su herramienta eléctrica por un experto cualificado, empleando exclusivamente piezas de repuesto originales.** Solamente así se mantiene la seguridad de la herramienta eléctrica.
- ▶ **No repare los acumuladores dañados.** El entrenamiento de los acumuladores sólo debe ser realizado por el fabricante o un servicio técnico autorizado.

Instrucciones de seguridad para taladradoras y atornilladoras

Instrucciones de seguridad para todas las operaciones

- ▶ **Use protectores auriculares al taladrar por percusión.** La exposición al ruido puede causar una pérdida auditiva.
- ▶ **Sujete la herramienta eléctrica por las superficies de agarre aisladas al realizar trabajos en los que el accesorio de corte o el portaútiles pueda entrar en contacto con conductores eléctricos ocultos.** En el caso del contacto del accesorio de corte o portaútiles con conductores "bajo tensión", las partes metálicas expuestas de la herramienta eléctrica pueden quedar "bajo tensión" y dar al operador una descarga eléctrica.

Instrucciones de seguridad en el caso de utilizar brocas largas

- ▶ **Nunca opere a mayor velocidad que la velocidad máxima de la broca (bit).** A velocidades más altas, el bit se puede doblar si se le permite rotar sin tocar la pieza de trabajo, originando lesiones personales.
- ▶ **Siempre comience a taladrar a baja velocidad y con la punta del bit en contacto con la pieza de trabajo.** A velocidades más altas, el bit se puede doblar si se le permite

rotar sin tocar la pieza de trabajo, originando lesiones personales.

- ▶ **Aplique presión sólo en línea directa con el bit y no aplique presión excesiva.** Los bits pueden doblarse y causar roturas o pérdida de control, originando lesiones personales.

Indicaciones de seguridad adicionales

- ▶ **Sostenga firmemente la herramienta eléctrica.** Al apretar y aflojar tornillos, pueden presentarse pares de reacción momentáneos.
- ▶ **Asegure la pieza de trabajo.** Una pieza de trabajo fijada con unos dispositivos de sujeción, o en un tornillo de banco, se mantiene sujeta de forma mucho más segura que con la mano.
- ▶ **Utilice unos aparatos de exploración adecuados para detectar conductores o tuberías ocultas, o consulte a sus compañías abastecedoras.** El contacto con conductores eléctricos puede provocar un incendio o una electrocución. Al dañar una tubería de gas puede producirse una explosión. La perforación de una tubería de agua puede causar daños materiales.
- ▶ **Espera a que se haya detenido la herramienta eléctrica antes de depositarla.** El útil puede engancharse y hacerle perder el control sobre la herramienta eléctrica.
- ▶ **En caso de daño y uso inapropiado del acumulador pueden emanar vapores. El acumulador se puede quemar o explotar.** En tal caso, busque un entorno con aire fresco y acuda a un médico si nota molestias. Los vapores pueden llegar a irritar las vías respiratorias.
- ▶ **No intente abrir el acumulador.** Podría provocar un cortocircuito.
- ▶ **Mediante objetos puntiagudos, como p. ej. clavos o destornilladores, o por influjo de fuerza exterior se puede dañar el acumulador.** Se puede generar un cortocircuito interno y el acumulador puede arder, humear, explotar o sobrecalentarse.
- ▶ **Utilice el acumulador únicamente en productos del fabricante.** Solamente así queda protegido el acumulador contra una sobrecarga peligrosa.



Proteja la batería del calor excesivo, además de, p. ej., una exposición prolongada al sol, la suciedad, el fuego, el agua o la humedad. Existe riesgo de explosión y cortocircuito.



- ▶ **Desconecte inmediatamente la herramienta eléctrica en caso de bloquearse el útil. Esté preparado para los momentos de alta reacción que causa un contragolpe.**

El útil se bloquea, si se sobrecarga la herramienta eléctrica o se ladea en la pieza de trabajo a labrar.

Descripción del producto y servicio



Lea íntegramente estas indicaciones de seguridad e instrucciones. Las faltas de observación de las indicaciones de seguridad y de las instrucciones pueden causar descargas eléctricas, incendios y/o lesiones graves.

Por favor, observe las ilustraciones en la parte inicial de las instrucciones de servicio.

Utilización reglamentaria

La herramienta eléctrica está determinada para enroscar y soltar tornillos así como para taladrar en madera, metal, cerámica y plástico. La herramienta GSB está adicionalmente determinada para el taladrado de percusión en ladrillo, hormigón y piedra.

Componentes principales

La numeración de los componentes está referida a la imagen de la herramienta eléctrica en la página ilustrada.

- (1) Alojamiento del útil
- (2) Portabrocas de sujeción rápida
- (3) Anillo de ajuste para preselección del par
- (4) Selector de modos de operación (GSB)
- (5) Selector de velocidad
- (6) Tapa
- (7) Acumulador
- (8) Botón de extracción del acumulador
- (9) Luz de trabajo
- (10) Selector de sentido de giro
- (11) Interruptor de conexión/desconexión
- (12) Empuñadura (zona de agarre aislada)
- (13) Portapuntas recambiable universal^{A)}
- (14) Escobillas
- (15) Tecla del indicador de estado de carga
- (16) Indicador del estado de carga del acumulador

A) Los accesorios descritos e ilustrados no corresponden al material que se adjunta de serie. La gama completa de accesorios opcionales se detalla en nuestro programa de accesorios.

Datos técnicos

Atornilladora taladradora accionada por acumulador		GSR 180-LI	GSB 180-LI
Número de artículo		3 601 JF8 1..	3 601 JF8 3..
Tensión nominal	V=	18	18
Revoluciones en vacío			
– 1.a velocidad	min ⁻¹	0–500	0–500

Atornilladora taladradora accionada por acumulador		GSR 180-LI	GSB 180-LI
- 2.a velocidad	min ⁻¹	0-1900	0-1900
Frecuencia de percusión	min ⁻¹	-	0-27000
máx. par de atornillado duro/blando según ISO 5393 ^{A)}	Nm	54/21	54/21
Ø máx. de taladro (1.a y 2.a marcha)			
- Madera	mm	35	35
- Acero	mm	10	10
- Ladrillo	mm	-	10
Portaútiles		1,5-13	1,5-13
Ø máx. de tornillos	mm	10	10
Peso según EPTA-Procedure 01:2014 ^{A)}	kg	1,6-2,6	1,7-2,7
Temperatura ambiente recomendada durante la carga	°C	0 ... +35	0 ... +35
Temperatura ambiente permitida durante el servicio ^{B)} y en el almacenamiento	°C	-20 ... +50	-20 ... +50
Acumuladores recomendados		GBA 18V... ProCORE18V...	GBA 18V... ProCORE18V...
Cargadores recomendados		GAL 18... GAX 18... GAL 36...	GAL 18... GAX 18... GAL 36...

A) dependiente del acumulador utilizado

B) potencia limitada a temperaturas <0 °C

Montaje

- **Desmonte el acumulador antes de manipular la herramienta eléctrica (p. ej. en el mantenimiento, cambio de útil, etc.) así como al transportarla y guardarla.** En caso contrario podría accidentarse al accionar fortuitamente el interruptor de conexión/desconexión.

Carga del acumulador

- **Utilice únicamente los cargadores que se enumeran en los datos técnicos.** Solamente estos cargadores han sido especialmente adaptados a los acumuladores de iones de litio empleados en su herramienta eléctrica.

Indicación: El acumulador se suministra parcialmente cargado. Con el fin de obtener la plena potencia del acumulador, antes de su primer uso, cárguelo completamente en el cargador.

El acumulador de iones de litio puede recargarse siempre que se quiera, sin que ello merme su vida útil. Una interrupción del proceso de carga no afecta al acumulador.

El acumulador de iones de litio está protegido contra descarga total gracias al sistema de protección electrónica de células "Electronic Cell Protection (ECP)". Si el acumulador está descargado, un circuito de protección se encarga de desconectar la herramienta eléctrica. El útil deja de moverse.

- **En caso de una desconexión automática de la herramienta eléctrica no mantenga accionado el interrup-**

tor de conexión/desconexión. El acumulador podría dañarse.

Observe las indicaciones referentes a la eliminación.

Desmontaje del acumulador

El acumulador (7) dispone de dos etapas de desenclavamiento para evitar que éste se salga en el caso de un accionamiento accidental la tecla de desenclavamiento (8). Al estar montado el acumulador en la herramienta eléctrica, éste es retenido en esa posición por un resorte.

Para la extracción del acumulador (7), presione la tecla de desenclavamiento (8) y retire el acumulador de la herramienta eléctrica. **No proceda con brusquedad.**

Indicador del estado de carga del acumulador

Los LEDs verdes del indicador del estado de carga del acumulador (16) indican el estado de carga del acumulador (7). Por motivos de seguridad, la consulta del estado de carga es solo posible con la herramienta eléctrica parada.

Presione la tecla del indicador del estado de carga (15), para indicar el estado de carga. Esto también es posible con el acumulador desmontado.

Si tras presionar la tecla del indicador del estado de carga (15) no se enciende ningún LED, significa que el acumulador está defectuoso y debe sustituirse.

Tipo de acumulador GBA 18V... (ver figura D1)

LEDs	Capacidad
Luz permanente 3 × verde	60–100 %
Luz permanente 2 × verde	30–60 %
Luz permanente 1 × verde	5–30 %
Luz intermitente 3 × verde	0–5 %

Tipo de acumulador ProCORE18V... (ver figura D2)

LEDs	Capacidad
Luz permanente 5 × verde	80–100 %
Luz permanente 4 × verde	60–80 %
Luz permanente 3 × verde	40–60 %
Luz permanente 2 × verde	20–40 %
Luz permanente 1 × verde	5–20 %
Luz intermitente 1 × verde	0–5 %

Cambio de útil (ver figura A)

- **Desmonte el acumulador antes de manipular la herramienta eléctrica (p. ej. en el mantenimiento, cambio de útil, etc.) así como al transportarla y guardarla.** En caso contrario podría accidentarse al accionar fortuitamente el interruptor de conexión/desconexión.

Abra el portabrocas de sujeción rápida (2) girando en sentido de giro ⚙, hasta que se pueda colocar el útil. Inserte el útil.

Gire vigorosamente el manguito del portabrocas de sujeción rápida (2) en sentido de giro ⚙ con la mano. El portabrocas se bloquea así automáticamente.

Aspiración de polvo y virutas

El polvo de ciertos materiales como, pinturas que contengan plomo, ciertos tipos de madera y algunos minerales y metales, puede ser nocivo para la salud. El contacto y la inspiración de estos polvos pueden provocar en el usuario o en las personas circundantes reacciones alérgicas y/o enfermedades respiratorias.

Ciertos polvos como los de roble, encina y haya son considerados como cancerígenos, especialmente en combinación con los aditivos para el tratamiento de la madera (cromatos, conservantes de la madera). Los materiales que contengan amianto solamente deberán ser procesados por especialistas.

- Observe que esté bien ventilado el puesto de trabajo.
- Se recomienda una mascarilla protectora con un filtro de la clase P2.

Observe las prescripciones vigentes en su país sobre los materiales a trabajar.

- **Evite acumulaciones de polvo en el puesto de trabajo.** Los materiales en polvo se pueden inflamar fácilmente.

Operación**Puesta en marcha****Montaje del acumulador**

Indicación: La utilización de acumuladores no adecuados para su herramienta eléctrica puede causar un funcionamiento anómalo o un daño a la herramienta eléctrica.

Colocar el selector de sentido de giro (10) en el centro, para evitar una conexión involuntaria. Coloque el acumulador (7) cargado en la empuñadura, hasta que encastre perceptiblemente y quede enrasado en la empuñadura.

Ajustar el sentido de giro (ver figura B)

Con el selector de sentido de giro (10) puede modificar el sentido de giro de la herramienta eléctrica. Sin embargo, esto no es posible con el interruptor de conexión/desconexión (11) presionado.

Rotación a la derecha: Para taladrar y enroscar tornillos, presione el selector de sentido de giro (10) hacia la izquierda hasta el tope.

Giro a la izquierda: Para soltar o desenroscar tornillos y tuercas presione el selector de sentido de giro (10) hacia la derecha, hasta el tope.

Ajuste del modo de operación**Taladrar****GSR:**

Regule el anillo de ajuste de la preselección del par de giro (3) al par de giro deseado.

GSB:

Ponga el selector del modo de funcionamiento (4) sobre el símbolo "Taladrar".

**Atornillar****GSR:**

Ponga el anillo de ajuste de la preselección del par de giro (3) en la posición del símbolo

"Atornillar".

GSB:

Ponga el selector del modo de funcionamiento (4) sobre el símbolo "Atornillar".

**Taladrado con percusión (GSB)**

Ponga el selector del modo de funcionamiento (4) sobre el símbolo "Taladrado con percusión".

Conexión/desconexión

Para la **puesta en marcha** de la herramienta eléctrica, accionar y mantener en esa posición el interruptor de conexión/desconexión (11).

El LED (9) se enciende con el interruptor de conexión/desconexión (11) leve o totalmente oprimido y posibilita la iluminación de la zona de trabajo con condiciones de luz desfavorables.

Para **desconectar** la herramienta eléctrica, suelte el interruptor de conexión/desconexión (11).

Ajuste de las revoluciones

El número de revoluciones de la herramienta eléctrica conectada lo puede regular de modo continuo, según la presión ejercida sobre el interruptor de conexión/desconexión (11).

Una leve presión sobre el interruptor de conexión/desconexión (11) origina un número de revoluciones bajo. Incrementando paulatinamente la presión van aumentando las revoluciones en igual medida.

Preselección del par de giro

Con el anillo de ajuste para preselección de par (3) puede preseleccionar el par de giro necesario en 20 escalones. En el momento de alcanzarse el par ajustado se detiene el útil.

Selector de velocidad mecánico

- **Puede accionar el interruptor selector de velocidad (5) en reposo o con la herramienta eléctrica en marcha. Sin embargo, esto no debe tener lugar a plena carga o velocidad máxima.**

Velocidad I:

Campo de bajas revoluciones; para taladros de gran diámetro o para atornillar.

Velocidad II:

Campo de altas revoluciones; para perforaciones pequeñas.

Protección contra sobrecarga térmica

La herramienta eléctrica no puede sobrecargarse si se realiza un uso apropiado y conforme a lo descrito. En el caso de una carga pronunciada o al abandonar el margen admisible de temperatura del acumulador, la herramienta eléctrica se desconecta y el LED de la herramienta eléctrica parpadea. Deje enfriar la herramienta eléctrica antes de seguir con el trabajo.

Protección contra altas descargas

El acumulador de iones de litio está protegido contra descarga total gracias al sistema de protección electrónica de celdas "Electronic Cell Protection (ECP)". Si el acumulador está descargado, un circuito de protección se encarga de desconectar la herramienta eléctrica. El útil deja de moverse.

Desconexión rápida (Kickback Control)



La desconexión rápida (Kickback Control) ofrece un mejor control sobre la herramienta eléctrica y aumenta así la protección del usuario, en comparación a las herramientas eléctricas sin KickBack Control. En caso de una repentina e imprevisible rotación de la herramienta eléctrica alrededor del eje de la broca, se desconecta la herramienta eléctrica.

La desconexión rápida se indica mediante un parpadeo del LED en la herramienta eléctrica.

Para la **nueva puesta en servicio** suelte el interruptor de conexión/desconexión y accíonelo de nuevo.

- **Si la función Kickback Control está defectuosa, ya no se deja conectar la herramienta eléctrica. Únicamente haga reparar su herramienta eléctrica por un profesio-**

nal calificado, empleando exclusivamente piezas de repuesto originales.

Instrucciones para la operación

- **Empuje el selector de marchas o gire el selector del modo de funcionamiento siempre hasta el tope.** En caso contrario podría dañarse la herramienta eléctrica.
- **Solamente aplique la herramienta eléctrica desconectada contra la tuerca o tornillo.** Los útiles en rotación pueden resbalar.

Para quitar una punta de atornillar o un soporte universal de punta de atornillar, está permitido utilizar una herramienta universal.

- **Los trabajos en entornos con mucho polvo pueden originar un fallo de la herramienta eléctrica. Si falla repentinamente la herramienta eléctrica, desmonte las escobillas de carbón y compruébelas (véase el apartado "Sustitución de escobillas de carbón").**

Mantenimiento y servicio

Mantenimiento y limpieza

- **Desmunte el acumulador antes de manipular la herramienta eléctrica (p. ej. en el mantenimiento, cambio de útil, etc.) así como al transportarla y guardarla.** En caso contrario podría accidentarse al accionar fortuitamente el interruptor de conexión/desconexión.
- **Mantenga limpia la herramienta eléctrica y las rejillas de refrigeración para trabajar con eficacia y seguridad.**

Sustitución de las escobillas de carbón (ver figura C)

Verifique la longitud de las escobillas de carbón aprox. cada 2-3 meses, y sustituya las dos escobillas de carbón si procede.

¡Jamás sustituya solamente una escobilla!

Indicación: Únicamente emplee unas escobillas de carbón adquiridas a través de Bosch para este producto.

- Suelte las caperuzas (6) con un destornillador adecuado.
- Reemplace las escobillas de carbón (14) que se encuentran bajo presión de muelle y atornille de nuevo las caperuzas.

Si el acumulador fuese inservible diríjase a un servicio técnico autorizado para herramientas eléctricas Bosch.

Servicio técnico y atención al cliente

El servicio técnico le asesorará en las consultas que pueda Ud. tener sobre la reparación y mantenimiento de su producto, así como sobre piezas de recambio. Las representaciones gráficas tridimensionales e informaciones de repuestos se encuentran también bajo: **www.bosch-pt.com**

El equipo asesor de aplicaciones de Bosch le ayuda gustosamente en caso de preguntas sobre nuestros productos y sus accesorios.

Para cualquier consulta o pedido de piezas de repuesto es imprescindible indicar el nº de artículo de 10 dígitos que figura en la placa de características del producto.

Argentina

Robert Bosch Argentina S.A.
Calle Blanco Encalada 250 – San Isidro
Código Postal B1642AMQ
Ciudad Autónoma de Buenos Aires
Tel.: (54) 11 5296 5200
E-Mail: herramientas.bosch@ar.bosch.com
www.argentina.bosch.com.ar

Chile

Robert Bosch S.A.
Calle El Cacique
0258 Providencia – Santiago de Chile
Buzón Postal 7750000
Tel.: (56) 02 782 0200
www.bosch.cl

Colombia

Robert Bosch Ltda
Av. Cra 45, # 108A-50, piso 7
Bogotá D.C.
Tel.: (57) 1 658 5010
www.colombia.bosch.com.co

Ecuador

Robert Bosch Sociedad Anónima
Av. Rodrigo Chávez Gonzalez Parque Empresarial Colón
Edif. Colconcorp Piso 1 Local 101-102,
Guayaquil
Tel.: (593) 4 220 4000
E-mail: ventas@bosch.com.ec
www.bosch.ec

México

Robert Bosch S. de R.L. de C.V.
Calle Robert Bosch No. 405
C.P. 50071 Zona Industrial, Toluca - Estado de México
Tel.: (52) 55 528430-62
Tel.: 800 6271286
www.bosch-herramientas.com.mx

Panamá

Robert Bosch Panamá, S.A.
Punta Pacífica, Av 8va Sur y Calle 56 Est Ed Paitilla Of. Tower
Ciudad de Panamá
Tel.: (507) 301-0960
www.boschherramientas.com.pa

Perú

Robert Bosch S.A.C.
Av. Primavera 781 Piso 2, Urbanización Chacarilla San Borja
Lima
Tel.: (51) 1 706 1100
www.bosch.com.pe

Venezuela

Robert Bosch S.A.
Calle Vargas con Buen Pastor, Edif. Alba, P-1, Boleíta Norte,
Caracas 1071

Tel.: (58) 212 207-4511
www.boschherramientas.com.pe

Transporte

Los acumuladores de iones de litio incorporados están sujetos a los requerimientos estipulados en la legislación sobre mercancías peligrosas. Los acumuladores pueden ser transportados por carretera por el usuario sin más imposiciones. En el envío por terceros (p.ej., transporte aéreo o por agencia de transportes) deberán considerarse las exigencias especiales en cuanto a su embalaje e identificación. En este caso deberá recurrirse a los servicios de un experto en mercancías peligrosas al preparar la pieza para su envío.

Únicamente envíe acumuladores si su carcasa no está dañada. Si los contactos no van protegidos cúbralos con cinta adhesiva y embale el acumulador de manera que éste no se pueda mover dentro del embalaje. Observe también las prescripciones adicionales que pudieran existir al respecto en su país.

Eliminación



Las herramientas eléctricas, acumuladores, accesorios y embalajes deberán someterse a un proceso de recuperación que respete el medio ambiente.



¡No arroje las herramientas eléctricas, acumuladores o pilas a la basura!

Acumuladores/pilas:

Iones de Litio:

Por favor, observe las indicaciones en el apartado Transporte (ver "Transporte", Página 34).



El símbolo es solamente válido, si también se encuentra sobre la placa de características del producto/fabricado.

Português do Brasil

Indicações de segurança

Instruções gerais de segurança para ferramentas elétricas

AVISO

Leia todas as indicações de segurança, instruções, ilustrações e especificações fornecidas com esta ferramenta elétrica. O desrespeito das instruções apresentadas abaixo poderá resultar em choque elétrico, incêndio e/ou ferimentos graves.

Guarde todas as advertências e instruções para futura referência.

O termo "ferramenta elétrica" usado nas advertências refere-se a ferramentas elétricas operadas com corrente de rede (com fio) ou ferramentas elétricas operadas com acumulador (sem fio).

Segurança da área de trabalho

- ▶ **Mantenha a área de trabalho limpa e bem iluminada.** As áreas de trabalho desarrumadas ou escuras podem levar a acidentes.
- ▶ **Não opere as ferramentas elétricas em atmosferas explosivas, ou seja, na presença de líquidos, gases ou pós inflamáveis.** As ferramentas elétricas produzem chispas, que podem inflamar os pós ou vapores.
- ▶ **Mantenha as crianças e outras pessoas afastadas da ferramenta elétrica durante o uso.** As distrações podem resultar na perda do controle.

Segurança elétrica

- ▶ **A ficha de conexão da ferramenta elétrica deve combinar com a tomada. Jamais modifique o plugue de alguma forma. Não use plugues de adaptador junto com ferramentas elétricas aterradas.** Plugues não modificados e tomadas apropriadas reduzem o risco de choque elétrico.
- ▶ **Evite o contato do corpo com superfícies aterradas, como tubos, aquecedores, fogões e geladeiras.** Há um risco elevado de choque elétrico se seu corpo estiver aterrado.
- ▶ **Mantenha as ferramentas elétricas afastadas da chuva ou umidade.** A entrada de água em uma ferramenta elétrica aumenta o risco de choque elétrico.
- ▶ **Não use o cabo para outras finalidades. Jamais use o cabo para transportar, puxar ou desconectar a ferramenta elétrica. Mantenha o cabo afastado do calor, do óleo, de arestas afiadas ou de partes móveis.** Os cabos danificados ou emaranhados aumentam o risco de um choque elétrico.
- ▶ **Ao operar uma ferramenta elétrica ao ar livre, use um cabo de extensão adequado para áreas exteriores.** O uso de um cabo de extensão apropriado para áreas exteriores reduz o risco de choque elétrico.
- ▶ **Se não for possível evitar o funcionamento da ferramenta elétrica em áreas úmidas, deverá usar um disjuntor de corrente de avaria.** O uso de um disjuntor de corrente de avaria reduz o risco de um choque elétrico.

Segurança pessoal

- ▶ **Esteja atento, observe o que está fazendo e use o bom senso ao operar uma ferramenta elétrica. Não use uma ferramenta elétrica quando estiver fatigado ou sob a influência de drogas, álcool ou medicamentos.** Um momento de descuido ao operar ferramentas elétricas pode resultar em lesões graves.
- ▶ **Use equipamento de proteção individual. Use sempre óculos de proteção.** O uso de equipamento de proteção

individual, como máscara de proteção contra poeira, sapatos de segurança antiderrapantes, capacete de segurança ou proteção auricular, usado nas condições adequadas irá reduzir o risco de ferimentos pessoais.

- ▶ **Evite a colocação em funcionamento involuntária. Assegure-se de que o interruptor está na posição de desligado antes de conectar à alimentação de rede e/ou ao acumulador, antes de pegar ou transportar a ferramenta.** Se transportar ferramentas elétricas com o seu dedo no interruptor ou se energizar ferramentas elétricas com o interruptor ligado, poderão ocorrer acidentes.
- ▶ **Remova qualquer ferramenta ou chave de ajuste antes de ligar a ferramenta elétrica.** Uma ferramenta ou chave ainda ligada a uma parte rotativa da ferramenta elétrica pode resultar em ferimentos pessoais.
- ▶ **Evite uma posição anormal. Mantenha uma posição firme e mantenha sempre o equilíbrio.** Desta forma é mais fácil controlar a ferramenta elétrica em situações inesperadas.
- ▶ **Use vestuário apropriado. Não use roupa larga nem joias. Mantenha seus cabelos e roupas afastados de partes móveis.** As roupas largas, joias ou cabelos longos podem ser agarrados por partes móveis.
- ▶ **Se for possível montar dispositivos de aspiração ou de coleta, assegure-se de que são conectados e usados corretamente.** O uso de um dispositivo de coleta de poeira pode reduzir os riscos associados a poeiras.
- ▶ **Não deixe que a familiaridade resultante do uso frequente de ferramentas permita que você se torne complacente e ignore os princípios de segurança da ferramenta.** Uma ação descuidada pode causar ferimentos graves numa fração de segundo.

Uso e manuseio cuidadoso da ferramenta elétrica

- ▶ **Não sobrecarregue a ferramenta elétrica. Use a ferramenta elétrica correta para a sua aplicação.** É melhor e mais seguro trabalhar com a ferramenta elétrica apropriada na área de potência para a qual foi projetada.
- ▶ **Não use a ferramenta elétrica se o interruptor estiver defeituoso.** Qualquer ferramenta elétrica que não pode mais ser controlada com o interruptor é perigosa e deve ser reparada.
- ▶ **Desconecte o plugue da alimentação e/ou remova o acumulador, se amovível, da ferramenta elétrica antes de efetuar ajustes, trocar acessórios ou guardas as ferramentas elétricas.** Essas medidas de segurança preventivas reduzem o risco de partida involuntária da ferramenta elétrica.
- ▶ **Guarde as ferramentas elétricas não utilizadas fora do alcance das crianças e não permita que as pessoas que não estejam familiarizadas com a ferramenta elétrica ou com essas instruções usem a ferramenta elétrica.** As ferramentas elétricas são perigosas nas mãos de usuários não treinados.
- ▶ **Trate as ferramentas elétricas e acessórios com cuidado. Verifique se existe desalinhamento ou**

emperramento das partes móveis, se há peças quebradas ou outra condição que possa afetar o funcionamento da ferramenta elétrica. Se houver danos, repare a ferramenta elétrica antes do uso.

Muitos acidentes são causados ferramentas elétricas com manutenção insuficiente.

- ▶ **Mantenha as ferramentas de corte afiadas e limpas.** As ferramentas de corte cuidadosamente mantidas e com arestas de corte afiadas emperram com menos frequência e são mais fáceis de controlar.
- ▶ **Use a ferramenta elétrica, acessórios, bits etc. de acordo com essas instruções, considerando as condições de trabalho e o trabalho a executar.** O uso da ferramenta elétrica em tarefas diferentes das previstas poderá resultar em uma situação perigosa.
- ▶ **Mantenha as empunhadeiras e as superfícies de agarrar secas, limpas e livres de óleo e graxa.** As empunhadeiras e superfícies de agarrar escorregadias não permitem o manuseio e controle seguros da ferramenta em situações inesperadas.

Manuseio e uso cuidadoso da ferramenta com acumulador

- ▶ **Somente carregue com o carregador especificado pelo fabricante.** Um carregador adequado para um certo tipo de acumulador pode originar um risco de incêndio se for usado com outro tipo de acumulador.
- ▶ **Use somente as ferramentas elétricas com os acumuladores especificados.** O uso de outros acumuladores pode resultar num risco de ferimentos e de incêndio.
- ▶ **Quando o acumulador não está sendo usado, mantenha-o afastado de outros objetos metálicos, como cliques, moedas, chaves, pregos, parafusos ou outros objetos metálicos pequenos que possam estabelecer a conexão entre terminais.** O curto-circuito dos terminais do acumulador pode causar queimaduras ou um incêndio.
- ▶ **Sob condições abusivas, o líquido pode vazar do acumulador; evite o contato. Em caso de contato acidental, enxague com água. Se o líquido entrar em contato com os olhos, consulte um médico.** O líquido que vaza do acumulador pode causar irritações ou queimaduras.
- ▶ **Não use um acumulador ou uma ferramenta danificada ou modificada.** Os acumuladores danificados ou modificados exibem um comportamento imprevisível podendo causar incêndio, explosão ou risco de ferimentos.
- ▶ **Não exponha o acumulador ou a ferramenta ao fogo ou temperaturas excessivas.** A exposição ao fogo ou a temperaturas acima de 130°C pode causar explosão.
- ▶ **Siga todas as instruções de carregamento e não carregue o acumulador ou a ferramenta fora da faixa de temperatura especificada nas instruções.** O carregamento inadequado ou a temperaturas fora da

faixa especificada pode danificar o acumulador e aumentar o risco de incêndio.

Serviço

- ▶ **Somente permita que a sua ferramenta elétrica seja reparada por pessoal qualificado e usando peças de reposição originais.** Só dessa forma é assegurada a segurança da ferramenta elétrica.
- ▶ **Jamais tente reparar acumuladores danificados.** O reparo de acumuladores deve ser somente realizado pelo fabricante ou por prestadores de serviços autorizados.

Instruções de segurança para furadeiras e parafusadeiras

Instruções de segurança para todas as operações

- ▶ **Use protetores auriculares ao perfurar no modo de impacto.** A exposição ao ruído pode causar perda de auditiva.
- ▶ **Segure a ferramenta elétrica pela superfície isolada de manuseio, ao realizar uma operação onde o acessório de corte ou os elementos de fixação podem entrar em contato com a fixação oculta.** O contato do acessório de corte ou dos elementos de fixação a um fio "vivo" pode tornar "vivas" as partes metálicas expostas da ferramenta e pode resultar ao operador um choque elétrico.

Instruções de segurança no uso de brocas longas

- ▶ **Nunca opere a uma velocidade maior do que a velocidade nominal máxima da broca.** Em velocidades elevadas, há a possibilidade da broca entortar se girar livremente sem entrar em contato com a peça de trabalho, resultando em lesão pessoal grave.
- ▶ **Comece sempre a perfurar em baixa velocidade e com a ponta da broca em contato com a peça de trabalho.** Em velocidade elevada, há a possibilidade de a broca entortar se girar livremente sem entrar em contato com a peça de trabalho, resultando em lesão pessoal grave.
- ▶ **Aplique pressão somente em linha direta com a broca e não aplique pressão excessiva.** A broca pode entortar causando a ruptura ou a perda de controle, resultando em lesão pessoal.

Instruções de segurança adicionais

- ▶ **Segure bem a ferramenta elétrica.** Ao apertar ou soltar parafusos podem ocorrer momentos de reação elevados.
- ▶ **Fixar a peça a ser trabalhada.** Uma peça a ser trabalhada fixa com dispositivos de aperto ou com um torno de bancada está mais firme do que segurada com a mão.
- ▶ **Utilizar detectores apropriados, para encontrar cabos escondidos, ou consultar a companhia elétrica local.** O contato com cabos elétricos pode provocar fogo e choques elétricos. Danos em tubos de gás podem levar a explosões. A penetração em um cano de água causa danos materiais.
- ▶ **Espere a ferramenta elétrica parar completamente, antes de depositá-la.** O acessório acoplável pode

emperrar e levar à perda de controle sobre a ferramenta elétrica.

- ▶ **Em caso de danos e de utilização incorreta da bateria, podem escapar vapores. A bateria pode incendiar-se ou explodir.** Arejar bem o local de trabalho e consultar um médico se forem constatados quaisquer sintomas. Os vapores podem irritar as vias respiratórias.
- ▶ **Não abra a bateria.** Existe perigo de curto-circuito.
- ▶ **A bateria pode ser danificada com objetos pontiagudos como p. ex. prego ou chave de parafusos ou devido à influência de força externa.** Pode ocorrer um curto-circuito interno e a bateria pode arder, deitar fumo, explodir ou sobreaquecer.
- ▶ **Usar a bateria apenas em produtos do fabricante.** Só assim é que a bateria fica protegida contra sobrecarga perigosa.



Proteja a bateria do calor, p. ex. radiação solar permanente, fogo, sujeira, água e umidade. Há risco de explosão ou de um curto-circuito.



- ▶ **Desligue de imediato a ferramenta elétrica se o acessório acoplável ficar bloqueado. Esteja preparado para torques de reação altos que causam um contragolpe.** O acessório acoplável fica bloqueado se a ferramenta elétrica é sobrecarregada ou se ficar emperrada em uma peça a ser trabalhada.

Descrição do produto e especificações



Ler todas as indicações de segurança e instruções. O desrespeito das advertências e das instruções de segurança apresentadas abaixo pode causar choque elétrico, incêndio e/ou graves lesões.

Respeite as ilustrações na parte da frente do manual de instruções.

Utilização adequada

A ferramenta elétrica é adequada para apertar e soltar parafusos, bem como para furar madeira, metal, cerâmica e plástico. A GSB também é adequada para furar com impacto em tijolo, concreto e pedra.

Componentes ilustrados

A numeração dos componentes ilustrados refere-se à apresentação da ferramenta elétrica na página de esquemas.

- (1) Porta ferramentas
- (2) Mandril de aperto rápido
- (3) Anel de pré-seleção do torque
- (4) Seletor do modo de operação (GSB)
- (5) Interruptor de ajuste da velocidade
- (6) Capa de cobertura
- (7) Bateria
- (8) Tecla de desbloqueio da bateria
- (9) Luz de trabalho
- (10) Comutador do sentido de rotação
- (11) Interruptor de ligar/desligar
- (12) Punho (superfície isolada)
- (13) Porta-bits universal^{A)}
- (14) Escovas de carvão
- (15) Tecla indicador do nível de carga
- (16) Indicador do nível de carga da bateria

A) **Acessórios apresentados ou descritos não pertencem ao volume de fornecimento. Todos os acessórios encontram-se no nosso catálogo de acessórios.**

Dados técnicos

Furadeira/parafusadeira a bateria		GSR 180-LI	GSB 180-LI
Nº do produto		3 601 JF8 1..	3 601 JF8 3..
Tensão nominal	V=	18	18
Marcha lenta			
– 1ª velocidade	min ⁻¹	0–500	0–500
– 2ª velocidade	min ⁻¹	0–1900	0–1900
Nº de impactos	min ⁻¹	–	0–27000
Torque máx. em materiais duros/macios segundo a norma ISO 5393 ^{A)}	Nm	54/21	54/21
Furo máx. (1ª e 2ª velocidade)			
– Madeira	mm	35	35
– Aço	mm	10	10
– Alvenaria	mm	–	10
Mandril		1,5–13	1,5–13
Ø máximo do parafuso	mm	10	10

Furadeira/parafusadeira a bateria		GSR 180-LI	GSB 180-LI
Peso conforme EPTA-Procedure 01:2014 ^{A)}	kg	1,6–2,6	1,7–2,7
Temperatura ambiente recomendada ao carregar	°C	0 ... +35	0 ... +35
Temperatura ambiente admissível durante o funcionamento ^{B)} e durante armazenamento	°C	-20 ... +50	-20 ... +50
Baterias recomendadas		GBA 18V... ProCORE18V...	GBA 18V... ProCORE18V...
Carregadores recomendados		GAL 18... GAX 18... GAL 36...	GAL 18... GAX 18... GAL 36...

A) depende da bateria utilizada

B) potência limitada a temperaturas <0 °C

Montagem

- ▶ **Retire a bateria da ferramenta elétrica antes de qualquer trabalho na ferramenta elétrica (p. ex. manutenção, troca de acessório, etc.), assim como para transporte e armazenamento da mesma.** Em caso de acionamento inadvertido do interruptor de ligar/desligar existe perigo de ferimentos.

Carregar a bateria

- ▶ **Utilize somente os carregadores indicados nos dados técnicos.** Somente estes carregadores são adequados para a bateria de íons de lítio utilizada na sua ferramenta elétrica.

Nota: A bateria é fornecida parcialmente carregada. Para assegurar a completa potência da bateria, a bateria deverá ser carregada completamente no carregador antes da primeira utilização.

A bateria de íons de lítio pode ser carregada a qualquer momento, sem que a sua vida útil seja reduzida. Uma interrupção do processo de carga não danifica a bateria.

A bateria de íons de lítio está protegida contra descarga profunda através da "Electronic Cell Protection (ECP)". Quando a bateria fica descarregada, a ferramenta elétrica se desliga através do desligamento de proteção: a ferramenta de trabalho não se move mais.

- ▶ **Depois do desligamento automático da ferramenta elétrica, não continue pressionando o interruptor de ligar/desligar.** Isso pode danificar a bateria.

Observar a indicação sobre a eliminação de forma ecológica.

Remover a bateria

A bateria (7) dispõe de dois níveis de bloqueio que devem evitar que a bateria caia se for pressionado inadvertidamente o botão de destravamento da bateria (8).

Enquanto a bateria estiver na ferramenta elétrica, ele será mantido em posição por meio de uma mola.

Para retirar a bateria (7) pressione o botão de destravamento (8) e puxe a bateria para fora da ferramenta elétrica. **Ao fazê-lo, não aplique força.**

Indicador do nível de carga da bateria

Os LEDs verdes do indicador do nível de carga da bateria (16) mostram o nível de carga da bateria (7). Por motivos de segurança, a consulta do nível de carga só é possível com a ferramenta elétrica parada.

Pressione a tecla do indicador do nível de carga (15), para exibir o nível de carga. Isto também é possível com a bateria removida.

Se depois de pressionar a tecla do indicador do nível de carga (15) não se acender nenhum LED, a bateria tem defeito ou tem de ser substituída.

Tipo de bateria GBA 18V... (ver figura D1)

LEDs	Capacidade
Luz permanente 3 x verde	60–100 %
Luz permanente 2 x verde	30–60 %
Luz permanente 1 x verde	5–30 %
Luz intermitente 3 x verde	0–5 %


Tipo de bateria ProCORE18V... (ver figura D2)

LEDs	Capacidade
Luz permanente 5 x verde	80–100 %
Luz permanente 4 x verde	60–80 %
Luz permanente 3 x verde	40–60 %
Luz permanente 2 x verde	20–40 %
Luz permanente 1 x verde	5–20 %
Luz intermitente 1 x verde	0–5 %

Troca de ferramenta (ver figura A)

- ▶ **Retire a bateria da ferramenta elétrica antes de qualquer trabalho na ferramenta elétrica (p. ex. manutenção, troca de acessório, etc.), assim como para transporte e armazenamento da mesma.** Em caso de acionamento inadvertido do interruptor de ligar/desligar existe perigo de ferimentos.

Abra o mandril de aperto rápido (2) rodando no sentido ⚙ até a ferramenta poder ser colocada. Coloque a ferramenta.

Rode o soquete do mandril de aperto rápido (2) no sentido  manualmente com força. Dessa forma, o soquete do mandril é bloqueado automaticamente.

Aspiração de pó/de aparas

Pós de materiais, como por exemplo, tintas que contêm chumbo, alguns tipos de madeira, minerais e metais, podem ser nocivos à saúde. O contato com os pós ou a inalação dos mesmos pode provocar reações alérgicas e/ou doenças nas vias respiratórias do utilizador ou das pessoas que se encontrem por perto.

Certos pós, como por exemplo pó de carvalho e faia são considerados como sendo cancerígenos, especialmente quando juntos com substâncias para o tratamento de madeiras (cromato, preservadores de madeira). Material que contem amianto só deve ser processado por pessoal especializado.

- Assegurar uma boa ventilação do local de trabalho.
- É recomendável usar uma máscara de proteção respiratória com filtro da classe P2.

Observe as diretrizes, vigentes no seu país, relativas aos materiais a serem trabalhados.

- **Evitar acúmulos de pó no local de trabalho.** Pós podem se inflamar levemente.

Funcionamento

Colocação em funcionamento

Colocar bateria

Nota: A utilização de baterias não adequadas para sua ferramenta elétrica pode originar falhas de funcionamento ou danos na ferramenta elétrica.

Coloque o comutador do sentido de rotação (10) ao centro para evitar uma ligação accidental. Coloque a bateria (7) carregada no punho até engatar audivelmente e ficar à face com o punho.

Ajustar sentido (ver figura B)

Com o comutador do sentido de rotação (10) pode alterar o sentido de rotação da ferramenta elétrica. No entanto, tal não é possível com o interruptor de ligar/desligar (11) pressionado.

Rotação à direita: Para furar e apertar parafusos, pressione o comutador do sentido de rotação (10) para a esquerda até ao limitador.

Rotação à esquerda: Para soltar ou desparafusar parafusos e porcas, pressione o comutador do sentido de rotação (10) para a direita até ao limitador.

Ajustar o modo de operação



Furar

GSR:

Coloque o anel de ajuste de pré-seleção do torque (3) no torque desejado.

GSB:

Coloque o anel seletor do modo de funcionamento (4) no símbolo "Furar".



Parafusos

GSR:

Ajuste o anel de pré-seleção do torque (3) para o símbolo "Parafusar".

GSB:

Coloque o anel seletor do modo de funcionamento (4) para o símbolo "Parafusar".



Furar com impacto (GSB)

Coloque o anel seletor do modo de funcionamento (4) no símbolo "Furar com impacto".

Ligar e desligar

Para **ligar** a ferramenta elétrica pressione e mantenha pressionado o interruptor de ligar/desligar (11).

O LED (9) acende-se com o interruptor de ligar/desligar (11) ligeira ou totalmente pressionado e permite iluminar o local de trabalho com condições de luminosidade desfavoráveis.

Para **desligar** a ferramenta elétrica, soltar o interruptor de ligar/desligar (11).

Ajustar o número de rotações

É possível regular o número de rotações da ferramenta elétrica ligada, dependendo do quanto o interruptor de ligar/desligar (11) é pressionado.

Uma leve pressão no interruptor de ligar/desligar (11) origina uma rotação baixa. Aumentando a pressão aumenta a rotação.

Pré-selecionar o torque

Com o anel de ajuste de pré-seleção do torque (3) é possível pré-selecionar o torque necessário em 20 níveis. Assim que o torque definido seja alcançado, o acessório para.

Ajuste mecânico da velocidade

- **Você pode acionar o interruptor de regulação da velocidade (5) com a ferramenta elétrica parada ou em funcionamento. Contudo, isso não deve ocorrer com carga máxima ou velocidade máxima.**

Velocidade I:

Regime de rotações mais baixo; para aparafusar ou trabalhar com grandes diâmetros de perfuração.

Velocidade II:

Regime de rotações mais alto; para trabalhar com pequenos diâmetros de perfuração.

Proteção contra sobrecarga em função da temperatura

Com uma utilização adequada a ferramenta elétrica não aquece. Com uma carga demasiado alta ou ao sair da gama de temperaturas de bateria, a ferramenta elétrica é desligada e o LED na ferramenta elétrica pisca. Deixe a ferramenta elétrica esfriar antes de continuar a trabalhar.

Proteção contra descarga completa

A bateria de íons de lítio está protegida contra descarga profunda através da "Electronic Cell Protection (ECP)".

Quando a bateria fica descarregada, a ferramenta elétrica se desliga através do desligamento de proteção: a ferramenta de trabalho não se move mais.

Desligamento rápido (Kickback Control)



O desligamento rápido (Kickback Control) oferece um melhor controle sobre a ferramenta elétrica e aumenta assim a proteção do usuário em comparação à

ferramentas elétricas sem o controle de recuo. Em caso de uma rotação repentina e imprevista da ferramenta elétrica sobre o eixo de perfuração, a ferramenta elétrica se desliga.

O desligamento rápido é assinalado através do piscar do LED na ferramenta elétrica.

Para a **recolocação em funcionamento** solte o interruptor de ligar/desligar e pressione-o de novo.

- ▶ **Se o desligamento rápido (Kickback Control) estiver com defeito, não é possível ligar mais a ferramenta elétrica. Só permita que a ferramenta elétrica seja consertada por pessoal especializado e qualificado e só com peças de reposição originais.**

Indicações de trabalho

- ▶ **Empurre o interruptor de regulação da velocidade ou rode o seletor do modo de operação sempre até ao batente.** Caso contrário, a ferramenta elétrica pode ser danificada.
- ▶ **Coloque somente a ferramenta elétrica desligada sobre a porca/parafuso.** Ferramentas elétricas rodando podem deslizar.

Para remover a ponta parafusadora ou o porta-bits universal pode ser usada uma ferramenta auxiliar.

- ▶ **Trabalhar em um ambiente com muita poeira pode causar o desligamento da ferramenta elétrica. Se a ferramenta elétrica falhar repentinamente, desmonte as escovas de carvão e inspecione as mesmas (ver seção "Trocar as escovas de carvão").**

Manutenção e serviço

Manutenção e limpeza

- ▶ **Retire a bateria da ferramenta elétrica antes de qualquer trabalho na ferramenta elétrica (p. ex. manutenção, troca de acessório, etc.), assim como para transporte e armazenamento da mesma.** Em caso de acionamento inadvertido do interruptor de ligar/desligar existe perigo de ferimentos.
- ▶ **Manter a ferramenta elétrica e as aberturas de ventilação sempre limpas, para trabalhar bem e de forma segura.**

Trocar as escovas de carvão (ver figura C)

Verifique o comprimento das escovas de carvão aproximadamente a cada 2–3 meses e troque ambas, se necessário.

Nunca substitua apenas uma escova de carvão!

Nota: Utilize apenas escovas de carvão recomendadas da Bosch, que são adequadas para o seu produto.

- Solte as capas **(6)** com uma chave de parafusos apropriada.
- Troque as escovas de carvão **(14)** sob pressão de mola e volte a aparafusar as capas.

Se a bateria não funcionar mais de forma correta, dirija-se a uma oficina de serviço pós-venda autorizada para ferramentas elétricas Bosch.

Serviço pós-venda e assistência ao cliente

O serviço pós-venda responde às suas perguntas a respeito de serviços de reparação e de manutenção do seu produto, assim como das peças sobressalentes. Desenhos explodidos e informações sobre peças sobressalentes também em:

www.bosch-pt.com

A nossa equipe de consultores Bosch esclarece com prazer todas as suas dúvidas a respeito dos nossos produtos e acessórios.

Indique em todas as questões ou encomendas de peças sobressalentes impreterivelmente a referência de 10 dígitos de acordo com a placa de características do produto.

Brasil

Robert Bosch Ltda. – Divisão de Ferramentas Elétricas
Caixa postal 1195 – CEP: 13065-900
Campinas – SP
Tel.: 0800 7045 446
www.bosch.com.br/contato

Angola

Robert Bosch Ltd
Divisão de Ferramentas Elétricas
Estrada de Cacuaco 288
Luanda
Tel. : +244 927 584 446
<http://www.bosch-professional.com/ao/pt/>

Transporte

As baterias de lítio incluídas estão em conformidade com os requisitos da regulamentação do transporte de mercadorias perigosas. Os acumuladores podem ser transportados pelo utilizador, nas vias públicas, sem mais nenhuma obrigação.

No caso de envio através de terceiros (p. ex.: transporte aéreo ou transitário) é necessário respeitar os requisitos especiais para a embalagem e identificação. Neste caso, para a preparação da embalagem é necessário consultar um perito no transporte de mercadorias perigosas.

Só enviar acumuladores se a carcaça não estiver danificada. Colar contatos abertos e embalar o acumulador de modo que não possa se movimentar dentro da embalagem. Por favor observe também eventuais diretrizes nacionais suplementares.

Descarte



Ferramentas elétricas, baterias, acessórios e embalagens devem ser enviados a uma reciclagem ecológica de matérias primas.



Não descarte as ferramentas elétricas e as baterias/pilhas no lixo doméstico!

Baterias/pilhas:

Lítio:

Por favor, observe as instruções na seção de transporte (ver "Transporte", Página 40).

中文

安全规章

电动工具通用安全警告

警告！ 阅读随电动工具提供的所有安全警告、说明、图示和规定。不遵照以下所列说明会导致电击、着火和/或严重伤害。

保存所有警告和说明书以备查阅。

警告中的术语“电动工具”是指市电驱动（有线）电动工具或电池驱动（无线）电动工具。

工作场地的安全

- ▶ 保持工作场地清洁和明亮。杂乱和黑暗的场地会引发事故。
- ▶ 不要在易爆环境，如有易燃液体、气体或粉尘的环境下操作电动工具。电动工具产生的火花会点燃粉尘或气体。
- ▶ 操作电动工具时，远离儿童和旁观者。注意力不集中会让你失去对工具的控制。

电气安全

- ▶ 电动工具插头必须与插座相配。绝不能以任何方式改装插头。需接地的电动工具不能使用任何转换插头。未经改装的插头和相配的插座将降低电击风险。
- ▶ 避免人体接触接地表面，如管道、散热片和冰箱。如果你身体接触接地表面会增加电击风险。
- ▶ 不得将电动工具暴露在雨中或潮湿环境中。水进入电动工具将增加电击风险。
- ▶ 不得滥用软线。绝不能用软线搬运、拉动电动工具或拔出其插头。使软线远离热源、油、锐边或运动部件。受损或缠绕的软线会增加电击风险。
- ▶ 当在户外使用电动工具时，使用适合户外使用的延长线。适合户外使用的电线将降低电击风险。
- ▶ 如果无法避免在潮湿的环境中操作电动工具，应使用带有剩余电流装置（RCD）保护的电源。RCD的使用可降低电击风险。

人身安全

- ▶ 保持警觉，当操作电动工具时关注所从事的操作并保持清醒。当你感到疲倦，或在有药物、酒精或治疗反应时，不要操作电动工具。在操作电动工具时瞬间的疏忽会导致严重人身伤害。

- ▶ 使用个人防护装置。始终佩戴护目镜。防护装置，诸如适当条件下使用防尘面具、防滑安全鞋、安全帽、听力防护等装置能减少人身伤害。
- ▶ 防止意外启动。在连接电源和/或电池包、拿起或搬运工具前确保开关处于关断位置。手指放在开关上搬运工具或开关处于接通时通电会导致危险。
- ▶ 在电动工具接通之前，拿掉所有调节钥匙或扳手。遗留在电动工具旋转零件上的扳手或钥匙会导致人身伤害。
- ▶ 手不要过分伸展。时刻注意立足点和身体平衡。这样能在意外情况下能更好地控制住电动工具。
- ▶ 着装适当。不要穿宽松衣服或佩戴饰品。让你的头发和衣服远离运动部件。宽松衣服、佩饰或长发可能会卷入运动部件。
- ▶ 如果提供了与排屑、集尘设备连接用的装置，要确保其连接完好且使用得当。使用集尘装置可降低尘屑引起的危险。
- ▶ 不要因为频繁使用工具而产生的熟悉感而掉以轻心，忽视工具的安全准则。某个粗心的动作可能在瞬间导致严重的伤害。

电动工具使用和注意事项

- ▶ 不要勉强使用电动工具，根据用途使用合适的电动工具。选用合适的按照额定值设计的电动工具会使你工作更有效、更安全。
- ▶ 如果开关不能接通或关断电源，则不能使用该电动工具。不能通过开关来控制的电动工具是危险的且必须进行修理。
- ▶ 在进行任何调节、更换附件或贮存电动工具之前，必须从电源上拔掉插头和/或卸下电池包（如可拆卸）。这种防护性的安全措施降低了电动工具意外启动的风险。
- ▶ 将闲置不用的电动工具贮存在儿童所及范围之外，并且不允许不熟悉电动工具和不了解这些说明的人操作电动工具。电动工具在未经培训的使用者手中是危险的。
- ▶ 维护电动工具及其附件。检查运动部件是否调整到位或卡住，检查零件破损情况和影响电动工具运行的其他状况。如有损坏，应在使用前修理好电动工具。许多事故是由维护不良的电动工具引发的。
- ▶ 保持切削刀具锋利和清洁。维护良好地有锋利切削刃的刀具不易卡住而且容易控制。
- ▶ 按照使用说明书，并考虑作业条件和要进行的作业来选择电动工具、附件和工具的刀头等。将电动工具用于那些与其用途不符的操作可能会导致危险情况。
- ▶ 保持手柄和握持表面干燥、清洁，不得沾有油脂。在意外的情况下，湿滑的手柄不能保证握持的安全和对工具的控制。

电池式工具使用和注意事项

- ▶ 只用制造商规定的充电器充电。将适用于某种电池盒的充电器用到其他电池盒时会发生着火危险。
- ▶ 只有在配有专用电池盒的情况下才使用电动工具。使用其他电池盒会发生损坏和着火危险。

- ▶ 当电池盒不用时，将它远离其他金属物体，例如回形针、硬币、钥匙、钉子、螺钉或其他小金属物体，以防一端与另一端连接。电池端子短路会引起燃烧或火灾。
- ▶ 在滥用条件下，液体会从电池中溅出；避免接触。如果意外碰到了，用水冲洗。如果液体碰到了眼睛，还要寻求医疗帮助。从电池中溅出的液体会发生腐蚀或燃烧。
- ▶ 不要使用损坏的或更改过的电池组或工具。损坏或更改过的电池可能导致不可预料的情况发生，有着火、爆炸或受伤的风险。
- ▶ 不要将电池组或工具暴露于火焰或高温情况下。火焰或超过130°C的温度可能会引起爆炸。
- ▶ 遵守所有充电说明，给电池组或工具充电时不要超出说明中规定的温度范围。错误充电或温度超出规定的范围可能会损坏电池并提高着火的风险。

维修

- ▶ 由专业维修人员使用相同的备件维修电动工具。这将保证所维修的电动工具的安全。
- ▶ 不要对损坏的电池组进行保养。只能由制造商或授权的服务商进行电池组的维护保养。

针对钻机和起子机的安全规章

适用于全部操作的安全说明

- ▶ 带耳罩进行冲击作业。暴露于噪声环境会导致失聪。
 - ▶ 如果在操作期间，切割工具或者紧固件可能接触暗线，要握住电动工具的绝缘握持面。切割工具一旦接触“带电”导线，可能会使电动工具外露的金属部件“带电”，并使操作员触电。
- ##### 当使用长钻头时的安全说明
- ▶ 操作时切勿超出钻头的最大额定转速。在较高转速下，如果让钻头在不接触工件的情况下随意旋转，很可能导致其弯折，从而引发人身伤害。
 - ▶ 务必以低转速开始钻孔，并让钻头尖端与工件接触。在较高转速下，如果让钻头在不接触工件的情况下随意旋转，很可能导致其弯折，从而引发人身伤害。
 - ▶ 施压时务必与钻头成一直线，且不得施加过大压力。若钻头弯折会导致其损坏或失控，从而引发人身伤害。

其它安全规章

- ▶ 请紧握电动工具。拧紧和拧松螺丝时可能短时出现高反应扭矩。
- ▶ 固定好工件。使用固定装置或老虎钳固定工件，会比用手握工件更牢固。
- ▶ 使用合适的侦测装置侦察隐藏的电线，或者向当地的相关单位寻求支援。接触电线可能引起火灾并让操作者触电。损坏了瓦斯管会引起爆炸。如果水管被刺穿了会导致财物损失。
- ▶ 等待电动工具完全静止后才能够放下机器。机器上的工具可能在工作中被夹住，而令您无法控制电动工具。

- ▶ 如果充电电池损坏或者未按照规定使用，充电电池中会散发出有毒蒸汽。充电电池可能会燃烧或爆炸。工作场所必须保持空气流通，如果身体有任何不适必须马上就医。蒸汽会刺激呼吸道。
- ▶ 切勿打开充电电池。可能造成短路。
- ▶ 钉子、螺丝刀等尖锐物品或外力作用可能会损坏充电电池。有可能出现内部短路、蓄电池燃烧、发出烟雾、爆炸或过热。
- ▶ 只能将此充电电池用在制造商的产品中。这样才能确保充电电池不会过载。



保护充电电池免受高温（例如长期阳光照射）、火焰、脏污、水和湿气的侵害。有爆炸和短路的危险。



- ▶ 当工具刀头被夹住时，请立即关闭电动工具。以防反作用力矩导致反弹。当电动工具过载或向待加工工件倾斜时，工具刀头就会卡住。

产品和性能说明



请阅读所有安全规章和指示。不遵照以下警告和说明可能导致电击、着火和/或严重伤害。

请注意本使用说明书开头部分的图示。

按照规定使用

本电动工具用于拧紧和松开螺丝以及在木材、金属、陶瓷和塑料上钻孔。GSB还可以用于在砖块、混凝土和岩石上进行冲击钻。

插图上的机件

机件的编号和电动工具详解图上的编号一致。

- (1) 工具夹头
- (2) 快速夹头
- (3) 扭矩预选调节环
- (4) 运行模式选择开关 (GSB)
- (5) 选档开关
- (6) 盖子
- (7) 充电电池
- (8) 充电电池的解锁按钮
- (9) 工作灯
- (10) 正逆转开关
- (11) 电源开关
- (12) 手柄（绝缘握柄）
- (13) 通用批头套筒^{A)}
- (14) 碳刷
- (15) 充电电量指示灯的按键
- (16) 充电电池电量指示灯

A) 图表或说明上提到的附件，并不包含在基本的供货范围中。本公司的附件清单中有完整的附件供应项目。

技术参数

充电式冲击钻起子机		GSR 180-LI	GSB 180-LI
物品代码		3 601 JF8 1..	3 601 JF8 3..
额定电压	V=	18	18
空载转速			
- 第1档	转/分钟	0-500	0-500
- 第2档	转/分钟	0-1900	0-1900
冲击次数	转/分钟	-	0-27 000
根据ISO 5393, 硬/软拧转的最大扭矩 ^{A)}	牛米	54/21	54/21
最大钻孔直径 (第1和第2档)			
- 木材	毫米	35	35
- 钢	毫米	10	10
- 砖墙	毫米	-	10
工具夹头		1.5-13	1.5-13
最大螺栓直径	毫米	10	10
重量符合EPTA-Procedure 01:2014 ^{A)}	千克	1.6-2.6	1.7-2.7
充电时建议的环境温度	摄氏度	0至+35	0至+35
工作时允许的环境温度 ^{B)} 和存放时功率受限	摄氏度	-20至+50	-20至+50
建议使用的充电电池		GBA 18V... ProCORE18V...	GBA 18V... ProCORE18V...
推荐的充电器		GAL 18... GAX 18... GAL 36...	GAL 18... GAX 18... GAL 36...

A) 视所使用的充电电池而定

B) 温度<0 摄氏度时功率受限

安装

- ▶ 在电动工具上进行任何维护的工作 (例如维修, 更换工具等等), 以及搬运、保存电动工具之前都必须从机器中取出蓄电池。无意间操作开关可能会造成伤害。

为充电电池充电

- ▶ 请只使用在技术参数中列出的充电器。只有这些充电器才适用于本电动工具上的锂离子电池。

提示: 充电电池在交货时只完成部分充电。首度使用电动工具之前, 必须先充足充电电池的电量以确保充电电池的功率。

可以随时为锂离子电池充电, 不会缩短电池的使用寿命。如果充电过程突然中断, 也不会损坏电池。本锂离子电池配备了电池电子保护装置 "Electronic Cell Protection (ECP)", 可以防止电池过度放电。电池的电量如果用尽了, 保护开关会自动关闭电动工具: 安装在机器上的工具刀头会停止转动。

- ▶ 电动工具被关闭之后, 切勿继续按住起停开关。否则可能会损坏电池。

请注意有关作废处理的规定。

取出蓄电池

本充电电池(7)具备双重锁定功能, 即使不小心触动了充电电池的解锁按钮(8), 充电电池也不会从机器中掉落下来。只要充电电池安装在电动工具中, 就会被弹簧固定在其位置上。

如需取下电池(7), 则请按压解锁按钮(8), 并将电池从电动工具中拔出。在此过程中请勿过度用力。

充电电池电量指示灯

充电电池电量指示灯(16)的绿色LED显示充电电池(7)的电量。基于安全原因, 只能在电动工具静止时检查充电电池的电量。

按压充电电量指示灯(15)按钮可显示充电电量。也可以在充电电池取下时操作。

如果按压充电电量指示灯(15)按钮后没有LED亮起, 则说明充电电池损坏, 必须进行更换。

充电电池型号GBA 18V... (见图D1)

LED	电量
3个绿灯常亮	60-100 %
2个绿灯常亮	30-60 %
1个绿灯常亮	5-30 %

LED	电量
3个绿灯闪烁	0-5 %
充电电池型号ProCORE18V... (见图D2)	
LED指示灯	电量
5个绿灯常亮	80-100 %
4个绿灯常亮	60-80 %
3个绿灯常亮	40-60 %
2个绿灯常亮	20-40 %
1个绿灯常亮	5-20 %
1个绿灯闪烁	0-5 %

更换工具 (见图片A)

- ▶ 在电动工具上进行任何维护的工作 (例如维修, 更换工具等等), 以及搬运、保存电动工具之前都必须从机器中取出蓄电池。无意间操作开关可能会造成伤害。

沿着方向①转动, 打开快速夹头(2), 直至可以插入刀具。安装好刀具。

沿着旋转方向②用手使劲转动快速夹头(2)的衬套。由此钻头夹头会被自动锁止。

抽吸粉尘/切屑

含铅的颜料以及某些木材、矿物和金属的加工废尘有害健康。机器操作者或者工地附近的人如果接触、吸入这些废尘, 可能会有过敏反应或者感染呼吸道疾病。

某些尘埃 (例如加工橡木或山毛榉的废尘) 可能致癌, 特别是和处理木材的添加剂 (例如木材的防腐剂等) 结合之后。只有经过专业训练的人才能够加工含石棉的物料。

- 工作场所要保持空气流通。
- 最好佩戴P2滤网等级的口罩。

请留心并遵守贵国和加工物料有关的法规。

- ▶ 避免让工作场所堆积过多的尘垢。尘埃容易被点燃。

运行

投入使用

安装充电电池

提示: 如果使用的充电电池与电动工具不匹配, 则可能会导致功能失灵或电动工具损坏。

将正逆转开关(10)调至中间, 以防意外接通。将已充好电的电池(7)装入手柄, 直至感觉到其卡入且与手柄平齐。

调整旋转方向 (见图片B)

通过正逆转开关(10)可以更改电动工具的旋转方向。按下起停开关(11)后无法更改。

正转: 钻孔和旋入螺栓时, 向左按压正逆转开关(10)直至极限位置。

逆转: 松开或拧出螺丝和螺母时, 向右按压正逆转开关(10)直至极限位置。

设置运行模式



钻孔

GSR:

将扭矩预选调节环(3)调到需要的扭矩上。

GSB:

将运行模式选择开关(4)调到“钻孔”图标上。



拧螺丝

GSR:

将扭矩预选调节环(3)调到“拧螺丝”图标上。

GSB:

将运行模式选择开关(4)调到“拧螺丝”图标上。



冲击钻 (GSB)

将运行模式选择开关(4)调到“冲击钻”图标上。

接通/关闭

将电动工具投入使用时按压起停开关(11)并按住。轻按或将起停开关(11)按到底时, LED灯(9)会亮起, 在照明状态不佳的环境中可以借此照亮操作位置。

关闭电动工具时, 请松开起停开关(11)。

调整转速

根据按压起停开关(11)的程度, 可以无级调节已接通的电动工具的转速。

轻按起停开关(11), 转速低。逐渐在开关上加压, 转速也会跟着提高。

预选扭矩

用扭矩预选调节环(3)可在20个档位中预选所需的扭矩。一旦达到设置的扭矩, 工具刀头就会停下。

机械式选档

- ▶ 可以在电动工具静止状态下或运行过程中操纵选档开关(5)。但是不可在满负荷或最大转速下执行。

档位I:

低转速范围; 适用于钻孔直径较大时或拧螺丝时。

档位II:

高转速范围; 适用于钻孔直径较小时。

温感式过载保护装置

按照规定使用时不会造成电动工具过载。当负荷过大或超出允许的充电电池温度范围时, 电动工具自行断开, 电动工具上的LED灯闪烁。执行下一步操作前, 请冷却电动工具。

防止过度放电装置

本锂离子电池配备了电池电子保护装置 "Electronic Cell Protection (ECP)", 可以防止电池过度放电。电池的电量如果用尽了, 保护开关会自动关闭电动工具; 安装在机器上的工具刀头会停止转动。

快速关断功能 (Kickback Control)



快速关断功能 (Kickback Control) 让用户能更好地控制电动工具，这样与不带 Kickback Control 的电动工具相比，能更好地保护用户。在电动工具的钻轴突然意外旋转时，自动关闭电动工具。

电动工具上的LED灯闪烁即表示激活了快速关断功能。

如要重新使用工具，松开电源开关，然后再次按压。

- ▶ 如果 Kickback Control 功能损坏，则无法接通电动工具。仅允许由具备资质的专业人员使用原装备件修理电动工具。

工作提示

- ▶ 始终将档位选择开关推至或将运行模式选择开关转至极限位置。否则可能会损坏电动工具。
- ▶ 先关闭电动工具，然后再放置在螺母/螺栓上。旋转的工具刀头可能会滑开。
要去除螺丝批嘴或通用批嘴套筒，可以使用辅助工具。
- ▶ 在多尘环境中操作可能会导致电动工具失灵。如果电动工具突然失灵，请拆卸碳刷并对其进行检查（参见章节“更换碳刷”）。

维修和服务

维护和清洁

- ▶ 在电动工具上进行任何维护的工作（例如维修，更换工具等等），以及搬运、保存电动工具之前都必须从机器中取出蓄电池。无意间操作开关可能会造成伤害。
- ▶ 电动工具和通气孔必须随时保持清洁，以确保工作效率和工作安全。

更换碳刷（见图片C）

每2到3个月就得检查碳刷的长度，必要时两个碳刷都得更换。

切勿只更换一个碳刷！

提示：只能向博世购买针对该产品的碳刷。

- 用合适的螺丝起子机松开盖帽(6)。
- 请更换处于弹簧压力下的碳刷(14)并再次拧上盖帽。

如果充电电池失效，可以向博世电动工具公司授权的客户服务中心求援。

客户服务和应用咨询

本公司顾客服务处负责回答有关本公司产品的修理、维护和备件的问题。备件的展开图纸和信息也可查看：www.bosch-pt.com

博世应用咨询团队乐于就我们的产品及其附件问题提供帮助。

询问和订购备件时，务必提供机器铭牌上标示的10位数物品代码。

香港和澳门特别行政区

罗伯特博世有限公司
香港北角英皇道625号，21楼
客户服务热线：+852 2101 0235
传真：+852 2590 9762
电子邮件：info@hk.bosch.com
www.bosch-pt.com.hk

中国大陆

博世电动工具（中国）有限公司
中国 浙江省 杭州市
滨江区 滨康路567号
102/1F 服务中心
邮政编码：310052
电话：(0571)8887 5566 / 5588
传真：(0571)8887 6688 x 5566# / 5588#
电邮：bsc.hz@cn.bosch.com
www.bosch-pt.com.cn

制造商地址：

Robert Bosch Power Tools GmbH
罗伯特·博世电动工具有限公司
70538 Stuttgart / GERMANY
70538 斯图加特 / 德国

搬运

随着机器一起供货的锂离子充电电池必须符合危险物品法规。使用者无须另外使用保护包装便可以运送该充电电池。

但是如果将它交由第三者运送（例如：寄空运或委托运输公司）则要使用特殊的包装和标示。此时必须向危险物品专家请教有关寄送危险物品的相关事宜。

确定充电电池的外壳未受损后，才可以寄送充电电池。粘好未加盖的触点并包装好充电电池，不可以让充电电池在包装中晃动。必要时也得注意各国有关的法规。

处理废弃物



必须以符合环保的方式，回收再利用损坏的电动工具、充电电池、附件和废弃的包装材料。



不可以把电动工具和充电电池/蓄电池丢入一般的家庭垃圾中！

充电电池/电池：

锂离子：

请注意“搬运”段落中的指示（参见“搬运”，页 45）确认设置。

繁體中文

安全注意事項

電動工具一般安全注意事項

警告 請詳讀工作臺及電動工具的所有安全警告與使用說明。若不遵照以下列出的指示，將可能導致電擊、著火和/或人員重傷。

保存所有警告和說明書以備查閱。

在所有警告中，「電動工具」此一名詞泛指：以市電驅動的（有線）電動工具或是以電池驅動的（無線）電動工具。

工作場地的安全

- ▶ 保持工作場地清潔和明亮。混亂和黑暗的場地會引發事故。
- ▶ 不要在易爆環境，如有易燃液體、氣體或粉塵的環境下操作電動工具。電動工具產生的火花會點燃粉塵或氣體。
- ▶ 讓兒童和旁觀者離開後操作電動工具。注意力不集中會使您失去對工具的控制。

電氣安全

- ▶ 電動工具插頭必須與插座相配。絕不能以任何方式改裝插頭。需接地的電動工具不能使用任何轉換插頭。未經改裝的插頭和相配的插座將減少電擊危險。
- ▶ 避免人體接觸接地表面，如管道、散熱片和冰箱。如果您身體接地會增加電擊危險。
- ▶ 不得將電動工具暴露在雨中或潮濕環境中。水進入電動工具將增加電擊危險。
- ▶ 不得濫用電線。絕不能用電線搬運、拉動電動工具或拔出其插頭。使電線遠離熱源、油、銳利邊緣或移動零件。受損或纏繞的軟線會增加電擊危險。
- ▶ 當在戶外使用電動工具時，使用適合戶外使用的延長線。適合戶外使用的軟線，將減少電擊危險。
- ▶ 如果在潮濕環境下操作電動工具是不可避免的，應使用剩餘電流動作保護器（RCD）。使用RCD可降低電擊危險。

人身安全

- ▶ 保持警覺，當操作電動工具時關注所從事的操作並保持清醒。當您感到疲倦，或在有藥物、酒精或治療反應時，不要操作電動工具。在操作電動工具時瞬間的疏忽會導致嚴重人身傷害。
- ▶ 使用個人防護裝置。始終佩戴護目鏡。安全裝置，諸如適當條件下使用防塵面具、防滑安全鞋、安全帽、聽力防護等裝置能減少人身傷害。
- ▶ 防止意外起動。確保開關在連接電源和/或電池盒、拿起或搬運工具時處於關閉位置。手指放在已接通電源的開關上或開關處於接通時插入插頭可能會導致危險。

- ▶ 在電動工具接通之前，拿掉所有調節鑰匙或扳手。遺留在電動工具旋轉零件上的扳手或鑰匙會導致人身傷害。
- ▶ 手不要伸展得太長。時刻注意立足點和身體平衡。這樣在意外情況下能很好地控制電動工具。
- ▶ 著裝適當。不要穿寬鬆衣服或佩戴飾品。讓您的衣物及頭髮遠離運動部件。寬鬆衣服、佩飾或長髮可能會捲入運動部件中。
- ▶ 如果提供了與排屑、集塵設備連接用的裝置，要確保他們連接完好且使用得當。使用這些裝置可減少塵屑引起的危險。
- ▶ 切勿因經常使用工具所累積的熟練感而過度自信，輕忽工具的安全守則。任何一個魯莽的舉動都可能瞬間造成人員重傷。

電動工具使用和注意事項

- ▶ 不要濫用電動工具，根據用途使用適當的電動工具。選用適當設計的電動工具會使您工作更有效、更安全。
- ▶ 如果開關不能開啟或關閉工具電源，則不能使用該電動工具。不能用開關來控制的電動工具是危險的且必須進行修理。
- ▶ 在進行任何調整、更換配件或貯存電動工具之前，必須從電源上拔掉插頭並/或取出電池盒。這種防護性措施將減少工具意外起動的危險。
- ▶ 將閒置不用的電動工具貯存在兒童所及範圍之外，並且不要讓不熟悉電動工具或對這些說明不瞭解的人操作電動工具。電動工具在未經培訓的用戶手中是危險的。
- ▶ 保養電動工具與配備。檢查運動件是否調整到位或卡住，檢查零件破損情況和影響電動工具運行的其他狀況。如有損壞，電動工具應在使用前修理好。許多事故由維護不良的電動工具引發。
- ▶ 保持切削刀具鋒利和清潔。保養良好的有鋒利切削刃的刀具不易卡住而且容易控制。
- ▶ 按照使用說明書，考慮作業條件和進行的作業來使用電動工具、配件和工具的刀頭等。將電動工具用於那些與其用途不符的操作可能會導致危險。
- ▶ 把手及握持區應保持乾燥、潔淨，且不得沾染任何油液或油脂。易滑脫的把手及握持區將無法讓您在發生意外狀況時安全地抓緊並控制工具。

電池式工具使用和注意事項

- ▶ 只用製造商規定的充電器充電。將適用於某種電池盒的充電器用到其他電池盒時會發生著火危險。
- ▶ 只有在配有專用電池盒的情況下才使用電動工具。使用其他電池盒會發生損壞和著火危險。
- ▶ 當電池盒不用時，將它遠離其他金屬物體，例如回形針、硬幣、鑰匙、釘子、螺絲或其他小金屬物體，以防一端與另一端連接。電池端部短路會引起燃燒或火災。
- ▶ 在濫用條件下，液體會從電池中濺出；避免接觸。如果意外碰到了，用水沖洗。如果液體碰到了眼睛，還要尋求醫療幫助。從電池中濺出的液體會發生腐蝕或燃燒。

- ▶ **請勿使用已受損或經改裝的電池盒。** 已受損或經改裝的電池組可能出現無法預期的反應，進而導致著火、爆炸或造成人員受傷。
- ▶ **勿讓電池盒或工具靠近火源或暴露於異常溫度環境中。** 若是靠近火源或暴露在超過130 °C的環境中可能造成爆炸。
- ▶ **請完全遵照所有的充電說明，電池盒或工具的溫度若是超出指示的規定範圍，請勿進行充電。** 不當充電或是未在規定的溫度範圍內進行充電，皆可能造成電池損壞並面臨更高的著火風險。

檢修

- ▶ **將您的電動工具送交專業維修人員，必須使用同樣的備件進行更換。** 這樣將確保所維修的電動工具的安全性。
- ▶ **請勿自行檢修受損的電池盒。** 電池組應交由製造商或是獲得授權的服務供應商來進行檢修。

電鑽和起子機的安全注意事項

所有作業的安全說明

- ▶ **鑽孔時請戴上耳罩。** 暴露在噪音下會造成聽力喪失。
- ▶ **進行作業時，負責進行切割的配件或固定釘可能會接觸到隱藏的配線，請從絕緣握把處拿持電動工具。** 負責進行切割的配件或固定釘若是觸及「導電」電線，可能導致電動工具外露的金屬部件「導電」，進而使操作人員遭受電擊。

使用長鑽頭的安全說明

- ▶ **切勿以超過鑽頭額定最高轉速的速度操作。** 若鑽頭未接觸工件且以超過最高轉速的速度無負載轉動，可能會讓鑽頭彎曲並導致人員受傷。
- ▶ **請務必以低速啟動並將鑽尖確實抵住工件。** 若鑽頭未接觸工件且以超過最高轉速的速度無負載轉動，可能會讓鑽頭彎曲並導致人員受傷。
- ▶ **請沿著鑽頭方向施加適當的壓力，切勿過度施壓。** 鑽頭可能會彎曲並造成斷裂、失控並導致人員受傷。

其他安全注意事項

- ▶ **請牢牢握緊電動工具。** 旋緊與鬆開螺栓時，瞬間可能有較大的反作用力。
- ▶ **固定好工件。** 使用固定裝置或老虎鉗固定工件，會比用手持握工件更牢固。
- ▶ **使用合適的偵測裝置偵察隱藏的電線，或者向當地的相關單位尋求支援。** 接觸電線可能引起火災並讓操作者觸電。若損壞瓦斯管會引起爆炸。如果水管被刺穿會導致財物損失。
- ▶ **必須等待電動工具完全靜止後才能將它放下。** 嵌件工具可能卡住而使電動工具失控。
- ▶ **如果充電電池損壞了，或者未按照規定使用充電電池，充電電池中會散發出有毒蒸氣。** 充電電池可能起火或爆炸。工作場所必須保持空氣流通，如果身體有任何不適必須馬上就醫。充電電池散發的蒸氣會刺激呼吸道。

- ▶ **切勿拆開充電電池。** 可能造成短路。
- ▶ **尖銳物品（例如釘子或螺絲起子）或是外力皆有可能造成充電電池損壞。** 進而導致內部短路而發生電池起火、冒煙、爆炸或過熱等事故。
- ▶ **僅可使用產品的原廠充電電池。** 如此才可依照產品提供過載保護。



保護充電電池免受高溫（例如長期日照）、火焰、污垢、水液和濕氣的侵害。有爆炸及短路之虞。



- ▶ **如果嵌件工具被夾住了，請立刻關閉電動工具的電源。** 請準備好承受反作用力所造成的反彈。電動工具過載時或當它在進行加工的工件內部歪斜時，都會造成嵌件工具被夾住不動。

產品和功率描述



請詳讀所有安全注意事項和指示。如未遵守安全注意事項與指示，可能導致火災、人員遭受電擊及 / 或重傷。

請留意操作說明書中最前面的圖示。

依規定使用機器

此電動工具可用來轉入或旋鬆螺絲，並且可在木材、金屬、混凝土及塑膠等材質上進行鑽孔。此外，GSB 還可在磚塊、混凝土和石材上進行衝擊鑽孔。

插圖上的機件

機件的編號和電動工具詳解圖上的編號一致。

- (1) 工具夾座
- (2) 快速夾頭
- (3) 預設扭力調整環
- (4) 操作模式選擇開關 (GSB)
- (5) 選檔開關
- (6) 蓋子
- (7) 充電電池
- (8) 充電電池的解鎖按鈕
- (9) 工作燈
- (10) 正逆轉開關
- (11) 起停開關
- (12) 把手（絕緣握柄）
- (13) 通用工具頭夾持器^{A)}
- (14) 碳刷
- (15) 電量指示器按鈕
- (16) 充電電池的電量指示器

A) 圖表或說明上提到的配件，並不包含在基本的供貨範圍中。本公司的配件清單中有完整的配件供應項目。

技術性數據

充電式電鑽起子機		GSR 180-LI	GSB 180-LI
產品機號		3 601 JF8 1..	3 601 JF8 3..
額定電壓	V=	18	18
無負載轉速			
- 1 檔	次 / 分	0-500	0-500
- 2 檔	次 / 分	0-1900	0-1900
衝擊次數	次 / 分	-	0-27000
根據 ISO 5393, 硬 / 軟材料鎖螺絲的 最大扭力 ^{A)}	Nm	54/21	54/21
最大鑽孔直徑 (1 檔和 2 檔)			
- 木材	mm	35	35
- 鋼材	mm	10	10
- 砌牆	mm	-	10
工具夾座		1.5-13	1.5-13
最大螺栓直徑	mm	10	10
重量符合 EPTA-Procedure 01:2014 ^{A)}	kg	1.6-2.6	1.7-2.7
充電狀態下的建議環境溫度	°C	0 ... +35	0 ... +35
操作狀態下的容許環境溫度 ^{B)} 以及存放 狀態下	°C	-20 ... +50	-20 ... +50
建議使用的充電電池		GBA 18V... ProCORE18V...	GBA 18V... ProCORE18V...
建議使用的充電器		GAL 18... GAX 18... GAL 36...	GAL 18... GAX 18... GAL 36...

A) 視所使用的充電蓄電池而定

B) 溫度 <0 °C 時, 性能受限

安裝

- ▶ 在電動工具上進行任何維護的工作 (例如維修, 更換工具等) 以及搬運和儲存電動工具之前, 都必須電動工具中取出充電電池。若是不小心觸動起停開關, 可能造成人員受傷。

為充電電池進行充電

- ▶ 只能選用技術性數據裡所列出的充電器。僅有這些充電器適用於電動工具所使用的鋰離子充電電池。

提示: 出貨時充電電池已部分充電。首度使用電動工具之前, 請先用充電器將充電電池充飽電以確保充電電池蓄滿電力。

鋰離子充電電池可隨時充電, 不會縮短電池的使用壽命。如果突然中斷充電, 電池也不會損壞。

鋰離子充電電池配備了電池保護裝置「Electronic Cell Protection (ECP)」, 可以防止充電電池過度放電。充電電池的電量如果用盡了, 保護開關會自動關閉電動工具: 嵌件工具會停止轉動。

- ▶ 電動工具自動關機後, 請勿再按壓電源開關。否則充電電池可能會損壞。

請您遵照廢棄物處理相關指示。

取出充電電池

本充電電池 (7) 具備了雙重鎖定功能, 即使不小心按壓了充電電池解鎖按鈕 (8), 充電電池也不會從機器中掉落出來。固定彈簧會把充電電池夾緊在機器中。

若要取出充電電池 (7), 請按壓解鎖按鈕 (8), 然後將充電電池抽出電動工具。不可以強行拉出充電電池。

充電電池的電量指示器

充電電池的電量指示器 (16) 透過綠色 LED 燈告知充電電池 (7) 目前的電量。基於安全顧慮, 務必在電動工具完全靜止時才能檢查充電電池的電量。

按一下電量指示器按鈕 (15) 即可顯示目前電量。即使已取出充電電池, 此項功能仍可正常運作。

按一下電量指示器按鈕 (15) 後, LED 燈若未亮起, 即表示充電電池故障, 必須予以更換。

充電電池型號 GBA 18V... (請參考圖 D1)

LED 燈	容量
3 顆綠燈持續亮起	60-100 %
2 顆綠燈持續亮起	30-60 %
1 顆綠燈持續亮起	5-30 %

LED 燈	容量
3 顆綠燈呈閃爍狀態	0-5 %
充電電池型號 ProCORE18V... (請參考圖 D2)	
LED 燈	容量
5 顆綠燈持續亮起	80-100 %
4 顆綠燈持續亮起	60-80 %
3 顆綠燈持續亮起	40-60 %
2 顆綠燈持續亮起	20-40 %
1 顆綠燈持續亮起	5-20 %
1 顆綠燈呈閃爍狀態	0-5 %

更換工具 (請參考圖 A)

- ▶ 在電動工具上進行任何維護的工作 (例如維修, 更換工具等) 以及搬運和儲存電動工具之前, 都必須從電動工具中取出充電電池。若是不小心觸動起停開關, 可能造成人員受傷。

往旋轉方向 ① 轉動, 將快速夾頭 (2) 打開至能夠裝入工具為止。裝入工具。

往旋轉方向 ② 徒手用力轉緊快速夾頭 (2) 的套筒。這樣做夾頭才會自動上鎖。

吸除廢塵 / 料屑

含鉛的顏料及部分木材、礦物和金屬的加工廢塵有害健康。機器操作者或工地上附近的人如果接觸、吸入這些廢塵, 可能會有過敏反應或感染呼吸道疾病。

特定粉塵 (例如加工橡木或山毛櫸的廢塵) 可能致癌, 特別是與處理木材的添加劑 (例如木材的防腐劑等) 混合之後。只有經過專業訓練的人才允許加工含石棉的物料。

- 工作場所要保持空氣流通。
- 建議佩戴 P2 濾網等級的口罩。

請留意並遵守貴國與加工物料有關的法規。

- ▶ 避免讓工作場所堆積過多的塵垢。塵埃容易被點燃。

操作

操作機器

安裝充電電池

提示: 若是使用非本電動工具適用的充電電池, 可能導致電動工具功能異常或損壞。

將正逆轉開關 (10) 調至中間位置, 以防止電動工具意外啟動。將已充飽電的充電電池 (7) 放入把手內, 直到感覺到它卡上並與把手貼齊。

調整旋轉方向 (請參考圖 B)

透過正逆轉開關 (10) 即可變更電動工具的旋轉方向。但按下起停開關 (11) 時, 將無法這樣做。

正轉: 若要旋入螺栓及旋緊螺母, 請將正逆轉開關 (10) 往左推到底。

逆轉: 若要鬆開或旋出螺栓與螺母, 請將正逆轉開關 (10) 往右推到底。

設定操作模式



鑽孔

GSR:

將預設扭力調整環 (3) 設為所需扭力。

GSB:

將操作模式選擇開關 (4) 移至「鑽孔」符號。



拆裝螺栓

GSR:

將預設扭力調整環 (3) 移至「螺栓」符號。

GSB:

將操作模式選擇開關 (4) 移至「螺栓」符號。



衝擊鑽孔 (GSB)

將操作模式選擇開關 (4) 移至「衝擊鑽孔」符號。

啟動 / 關閉

按下電源開關 (11) 不要放開, 即可讓電動工具持續運轉。

輕按起停開關 (11) 或完全按下時, LED (9) 隨即亮起, 可照亮光線不足的工作區域。

放開起停開關 (11), 即可讓電動工具停止運轉。

調整轉速

您可為已啟動的電動工具無段調控轉速, 轉速是由按壓起停開關 (11) 的深度而定。

輕按起停開關 (11) 時, 轉速較低。逐漸在開關上加壓, 轉速也會跟著提高。

預設扭力

預設扭力調整環 (3) 總共提供 20 段不同的扭力選擇, 您可利用它來預設所需扭力。一達到所設扭力後, 嵌件工具隨即停止運轉。

機械式選檔

- ▶ 不論電動工具是靜止或是正在運轉, 皆可操作選檔開關 (5)。但請不要在全負載或在達到最高轉數時這樣做。

檔位 I:

低轉速範圍; 適用於鑽大孔時或旋轉螺絲時。

檔位 II:

高轉速範圍; 適用於鑽小孔時。

溫控的過載保護裝置

只要按照規定使用, 電動工具就不可能過載。萬一負載過重或充電電池的溫度已超出允許範圍, 本電動工具將自動關機且電動工具上的 LED 燈閃爍。待電動工具降溫後再繼續使用。

防止過度放電裝置

鋰離子充電電池配備了電池保護裝置「Electronic Cell Protection (ECP)」, 可以防止充電電池過度放電。充電電池的電量如果用盡了, 保護開關會自動關閉電動工具: 嵌件工具會停止轉動。

快關功能 (Kickback Control)

與未配備 Kickback Control 的電動工具相較之下，快關功能 (Kickback Control) 可讓您更容易掌控電動工具，因此操作人員的安全性也就隨之獲得更多保障。電動工具的鑽孔轉軸只要一有非預期性的突發旋轉動作，將立即停機。

電動工具上的 LED 燈閃爍即代表快關功能啟用。此時若想繼續操作，則須先將起停開關放開後再重新按壓。

- ▶ 當 Kickback Control 功能故障時，不得再開啟電動工具。本電動工具僅可交由合格的專業技師以原廠替換零件進行維修。

作業注意事項

- ▶ 請務必將選檔開關完全推到底或將操作模式選擇開關轉到底。否則可能造成電動工具損壞。
 - ▶ 電動工具應先停止運轉，然後才放到螺母 / 螺栓上。轉動中的嵌件工具可能會滑開。
- 拆卸螺絲起子工具頭或工具頭夾持器時，可使用輔助工具。
- ▶ 若在塵土彌漫環境下使用本電動工具，可能造成故障。電動工具若突然間失靈，請將碳刷拆下後仔細檢查 (請參照「更換碳刷」小節)。

維修和服務**保養與清潔**

- ▶ 在電動工具上進行任何維護的工作 (例如維修、更換工具等) 以及搬運和儲存電動工具之前，都必須從電動工具中取出充電電池。若是不小心觸動起停開關，可能造成人員受傷。
- ▶ 電動工具和通風口都必須保持清潔，這樣才能夠提高工作品質和安全性。

更換碳刷 (請參考圖 C)

每 2 至 3 個月就應檢查碳刷長度。必要時應同時更換兩個碳刷。

切勿僅單獨更換任一碳刷!

提示：只能向博世購買針對該電動工具而設計的碳刷。

- 使用合適的螺絲起子拆開外蓋 (6)。
- 更換透過彈簧固定的碳刷 (14) 然後將外蓋重新鎖好。

如果充電電池故障了，可以向博世電動工具公司授權的客戶服務中心求援。

顧客服務處和顧客諮詢中心

本公司顧客服務處負責回答有關本公司產品的維修、維護和備用零件的問題。以下的網頁中有分解圖和備用零件相關資料：www.bosch-pt.com
如果對本公司產品及其配件有任何疑問，博世應用諮詢小組很樂意為您提供協助。

當您需要諮詢或訂購備用零件時，請務必提供本產品型號銘牌上 10 位數的產品機號。

中國香港和澳門特別行政區

羅伯特·博世有限公司
香港北角英皇道625號21樓
客戶服務熱線：+852 2101 0235
傳真：+852 2590 9762
電子郵件：info@hk.bosch.com
www.bosch-pt.com.hk

台灣

台灣羅伯特博世股份有限公司
建國北路一段90號6樓
台北市10491
電話：(02) 7734 2588
傳真：(02) 2516 1176
www.bosch-pt.com.tw

制造商地址：

Robert Bosch Power Tools GmbH
羅伯特·博世電動工具有限公司
70538 Stuttgart / GERMANY
70538 斯圖加特 / 德國

搬運

隨貨附上的鋰離子充電電池受危險物品法的規範。使用者無須另外使用保護包裝便可運送該充電電池。

但是如果將它交由第三者運送 (例如：寄空運或委託運輸公司)，則應遵照包裝與標示的相關要求。此時必須向危險物品專家請教有關寄送危險物品的相關事宜。

確定充電電池的外殼未受損後，才可以寄送充電電池。用膠帶貼住裸露的接點並妥善包裝充電電池，不可以讓充電電池在包裝材料中晃動。同時也應留意各國相關法規。

廢棄物處理

必須以符合環保的方式，將損壞的電動工具、充電電池、配件和包裝材料進行回收再利用。



不可以把電動工具和充電電池 / 拋棄式電池丟入一般家庭垃圾中!

充電電池 / 拋棄式電池：**鋰離子：**

請注意「搬運」段落中的指示 (參見「搬運」，頁 50)。

ไทย

คำเตือนเพื่อความปลอดภัย

คำเตือนเพื่อความปลอดภัยทั่วไปสำหรับเครื่องมือไฟฟ้า

คำเตือน อ่านคำเตือนเพื่อความปลอดภัย คำแนะนำ ภาพประกอบ และข้อมูล

จำเพาะทั้งหมดที่จัดส่งมาพร้อมกับเครื่องมือไฟฟ้า

การไม่ปฏิบัติตามคำแนะนำทั้งหมดที่ระบุไว้ด้านล่างนี้อาจทำให้ถูกไฟฟ้าดูด เกิดไฟไหม้ และ/หรือได้รับบาดเจ็บอย่างร้ายแรง

เก็บรักษาคำเตือนและคำสั่งทั้งหมดสำหรับเปิดอ่านในภายหลัง

คำว่า "เครื่องมือไฟฟ้า" ในคำเตือนหมายถึง เครื่องมือไฟฟ้าของท่านที่ทำงานด้วยพลังงานไฟฟ้าจากแหล่งจ่ายไฟหลัก (มีสายไฟฟ้า) และเครื่องมือไฟฟ้าที่ทำงานด้วยพลังงานไฟฟ้าจากแบตเตอรี่ (ไร้สาย)

ความปลอดภัยในสถานที่ทำงาน

- ▶ **รักษาสถานที่ทำงานให้สะอาดและมีไฟส่องสว่างดี** สถานที่ที่มีมืดหรือรกรุงรังนำมาซึ่งอุบัติเหตุ
- ▶ **อย่าใช้เครื่องมือไฟฟ้าทำงานในสภาพบรรยากาศที่จุดติดไฟได้ เช่น ในที่มีมีของเหลวไวไฟ ก๊าซ หรือฝุ่น** เมื่อใช้เครื่องมือไฟฟ้าจะเกิดประกายไฟซึ่งอาจจุดฝุ่นหรือไอให้ลุกเป็นไฟได้
- ▶ **ขณะใช้เครื่องมือไฟฟ้าทำงาน ต้องกันเด็กและผู้ยี่นดูให้ออกห่าง** การหันเหความสนใจอาจทำให้ท่านขาดการควบคุมเครื่องมือ

ความปลอดภัยเกี่ยวกับไฟฟ้า

- ▶ **ปลั๊กของเครื่องมือไฟฟ้าต้องเหมาะสมพอดีกับเต้าเสียบ** อย่าตัดแปลงปลั๊กไม่ว่าในลักษณะใดๆ อย่างเด็ดขาด อย่าใช้ปลั๊กพ่วงต่อใดๆ กับเครื่องมือไฟฟ้าที่มีสายดิน ปลั๊กที่ไม่ตัดแปลงและเต้าเสียบที่เข้ากันช่วยลดความเสี่ยงจากการถูกไฟฟ้าดูด
- ▶ **หลีกเลี่ยงอย่าให้ร่างกายสัมผัสกับพื้นผิวที่ต่อสายดินหรือลงกราวด์ไว้ เช่น ท่อ เครื่องทำความร้อน เตา และตู้เย็น** จะเสี่ยงอันตรายจากการถูกไฟฟ้าดูดมากขึ้นหากกระแสไฟฟ้าวิ่งผ่านร่างกายของท่านลงดิน

- ▶ **อย่าให้เครื่องมือไฟฟ้าถูกฝนหรืออยู่ในสภาพเปียกชื้น** หากน้ำเข้าในเครื่องมือไฟฟ้า จะเพิ่มความเสี่ยงจากการถูกไฟฟ้าดูด
- ▶ **อย่าใช้สายไฟฟ้าในทางที่ผิด** อย่าใช้สายไฟฟ้าเพื่อยก ดึง หรือถอดปลั๊กเครื่องมือไฟฟ้า กันสายไฟฟ้าออกจากความร้อน น้ำมัน ขอบแหลมคม หรือชิ้นส่วนที่เคลื่อนที่ สายไฟฟ้าที่ชำรุดหรือพันกันยุ่งเพิ่มความเสี่ยงจากการถูกไฟฟ้าดูด
- ▶ **เมื่อใช้เครื่องมือไฟฟ้าทำงานกลางแจ้ง ให้ใช้สายไฟต่อที่เหมาะสมสำหรับการใช้งานกลางแจ้ง** การใช้สายไฟต่อที่เหมาะสมสำหรับงานกลางแจ้งช่วยลดอันตรายจากการถูกไฟฟ้าดูด
- ▶ **หากไม่สามารถหลีกเลี่ยงการใช้เครื่องมือไฟฟ้าทำงานในสถานที่เปียกชื้นได้ ให้ใช้สวิตซ์ตัดวงจรเมื่อเกิดการรั่วไหลของไฟฟ้าจากสายดิน (RCD)** การใช้สวิตซ์ตัดวงจรเมื่อเกิดการรั่วไหลของไฟฟ้าจากสายดินช่วยลดความเสี่ยงต่อการถูกไฟฟ้าดูด

ความปลอดภัยของบุคคล

- ▶ **ท่านต้องอยู่ในสภาพเตรียมพร้อม ระมัดระวังในสิ่งที่ท่านกำลังทำอยู่ และมีสติขณะใช้เครื่องมือไฟฟ้าทำงาน** อย่าใช้เครื่องมือไฟฟ้าขณะที่ท่านกำลังเหนื่อย หรืออยู่ภายใต้การครอบงำของฤทธิ์ของยาเสพติด แอลกอฮอล์ และยา เมื่อใช้เครื่องมือไฟฟ้าทำงานในช่วงเวลาที่ท่านขาดความเอาใจใส่อาจทำให้บุคคลบาดเจ็บอย่างรุนแรงได้
- ▶ **ใช้อุปกรณ์ปกป้องร่างกาย สวมแว่นตาป้องกันเสมอ** อุปกรณ์ปกป้อง เช่น หนากากกันฝุ่น รองเท้ากันลื่น หมวกแข็ง หรือประภทกกันเสียงดังที่ใช้ตามความเหมาะสมกับสภาพการทำงาน จะลดการบาดเจ็บทางร่างกาย
- ▶ **ป้องกันการติดเครื่องโดยไม่ตั้งใจ ตรวจสอบให้แน่ใจว่าสวิตซ์อยู่ในตำแหน่งปิดก่อนเชื่อมต่อเข้ากับแหล่งจ่ายไฟ และ/หรือแบตเตอรี่แพ็ค ยกหรือถือเครื่องมือการถือเครื่องโดยใช้นิ้วหัวที่สวิตซ์ หรือเสียบปลั๊กไฟฟ้าขณะสวิตซ์เปิดอยู่ อาจนำไปสู่อุบัติเหตุที่ร้ายแรงได้**
- ▶ **นำเครื่องมือปรับแต่งหรือประแจปากตายออกก่อนเปิดสวิตซ์เครื่องมือไฟฟ้า** เครื่องมือหรือประแจปากตายที่วางอยู่กับส่วนของเครื่องที่กำลังหมุนจะทำให้บุคคลบาดเจ็บได้
- ▶ **อย่าเอื้อมไกลเกินไป** ตั้งทำยืนที่มั่นคงและวางน้ำหนักให้สมดุลตลอดเวลา ในลักษณะนี้ท่านสามารถควบคุมเครื่องมือไฟฟ้าในสถานการณ์ที่ไม่คาดคิดได้ดีกว่า
- ▶ **แต่งกายอย่างเหมาะสม** อย่าใส่เสื้อผ้าหลวมหรือสวมเครื่องประดับ เหน็บและเสื้อผ้ออกห่างจากชิ้นส่วนที่

เคลื่อนที่ เลื่อนผ้าหวม เครื่องประดับ และผม ยาวอาจเข้าไปติดในชิ้นส่วนที่เคลื่อนที่

- ▶ หากเครื่องมือไฟฟ้ามีข้อเชื่อมต่อกับเครื่องดูดฝุ่นหรือเครื่องเก็บผง ให้ตรวจสอบให้แน่ใจว่าได้เชื่อมต่อและใช้งานอย่างถูกต้อง การใช้อุปกรณ์ดูดฝุ่นช่วยลดอันตรายที่เกิดจากฝุ่นได้
- ▶ เมื่อใช้งานเครื่องมือเครื่องจักรจะเกิดความคุ้นเคย อย่าให้ความคุ้นเคยทำให้ท่านเกิดความชะล่าใจและละเลยกฎเกณฑ์ด้านความปลอดภัยในการใช้งานเครื่อง การทำงานอย่างไม่ระมัดระวังอาจทำให้เกิดการบาดเจ็บอย่างร้ายแรงภายในเสี้ยววินาที

การใช้และการดูแลรักษาเครื่องมือไฟฟ้า

- ▶ อย่างสม่ำเสมอเครื่องมือไฟฟ้า ใช้เครื่องมือไฟฟ้าที่ถูกต้องตรงตามลักษณะงานของท่าน เครื่องมือไฟฟ้าที่ถูกต้องจะทำงานได้ดีกว่าและปลอดภัยกว่าในระดับสมรรถภาพที่ออกแบบไว้
- ▶ อย่าใช้เครื่องมือไฟฟ้าถ้าสวิตช์ไม่สามารถเปิดปิดได้ เครื่องมือไฟฟ้าที่ไม่สามารถควบคุมการเปิดปิดด้วยสวิตช์ได้ เป็นเครื่องมือไฟฟ้าที่ไม่ปลอดภัยและต้องส่งซ่อมแซม
- ▶ ก่อนปรับแต่งเครื่อง เปลี่ยนอุปกรณ์ประกอบ หรือเก็บเครื่องเข้าที่ ต้องถอดปลั๊กออกจากแหล่งจ่ายไฟ และ/หรือถอดแบตเตอรี่แพ็คเกจออกจากเครื่องมือไฟฟ้าหากถอดออกได้
- ▶ มาตรการป้องกันเพื่อความปลอดภัยนี้ช่วยลดความเสี่ยงจากการติดเครื่องโดยไม่ตั้งใจ
- ▶ เมื่อเลิกใช้งานเครื่องมือไฟฟ้า ให้เก็บเครื่องไว้ในที่ที่เด็กหยิบไม่ถึง และไม่อนุญาตให้บุคคลที่ไม่คุ้นเคยกับเครื่องหรือบุคคลที่ไม่ได้อ่านคำแนะนำเหล่านี้ใช้เครื่องมือไฟฟ้าเป็นของอันตรายหากตกอยู่ในมือของผู้ใช้ที่ไม่ได้รับการฝึกฝน
- ▶ บำรุงรักษาเครื่องมือไฟฟ้าและอุปกรณ์ประกอบ ตรวจสอบชิ้นส่วนที่เคลื่อนที่ว่าวางไม่ตรงแนวหรือติดขัดหรือไม่ ตรวจสอบการแตกหักของชิ้นส่วนและสภาพอื่นใดที่อาจมีผลต่อการทำงานของเครื่องมือไฟฟ้า หากชำรุดต้องส่งเครื่องมือไฟฟ้าไปซ่อมแซมก่อนใช้งาน อุบัติเหตุหลายอย่างเกิดขึ้นเนื่องจากดูแลรักษาเครื่องไม่ดีพอ
- ▶ รักษาเครื่องมือตัด ให้คมและสะอาด หากบำรุงรักษาเครื่องมือที่มีขอบตัดแหลมคมอย่างถูกต้อง จะสามารถตัดได้ลื่นไม่ติดขัดและควบคุมได้ง่ายกว่า
- ▶ ใช้เครื่องมือไฟฟ้า อุปกรณ์ประกอบ เครื่องมือ และอุปกรณ์อื่น ๆ ตรงตามคำแนะนำเหล่านี้ โดยคำนึงถึงเงื่อนไขการทำงานและงานที่จะทำ การใช้เครื่อง

มือไฟฟ้าทำงานที่ต่างไปจากวัตถุประสงค์การใช้งานของเครื่อง อาจนำไปสู่สถานการณ์ที่เป็นอันตรายได้

- ▶ ดูแลคัมจับและพื้นผิวจับให้แห้ง สะอาด และปราศจากคราบน้ำมันและจาระบี คัมจับและพื้นผิวจับที่ลื่นทำให้หือจับได้ไม่ปลอดภัย และไม่สามารถควบคุมเครื่องมือในสถานการณ์ที่ไม่คาดคิด
- การใช้และการดูแลรักษาเครื่องที่ใช้แบตเตอรี่**
- ▶ ชาร์จไฟใหม่ด้วยเครื่องชาร์จที่บริษัทผู้ผลิตระบุไว้เท่านั้น
 - ▶ เครื่องชาร์จที่เหมาะสมสำหรับชาร์จแบตเตอรี่แพ็คเกจหนึ่ง หากนำไปชาร์จแบตเตอรี่แพ็คเกจอื่น อาจเกิดไฟไหม้ได้
 - ▶ ใช้เครื่องมือไฟฟ้าเฉพาะกับแบตเตอรี่แพ็คเกจที่กำหนดไว้เท่านั้น การใช้แบตเตอรี่แพ็คเกจอื่นเสี่ยงต่อการเกิดไฟไหม้หรือบาดเจ็บ
 - ▶ เมื่อไม่ใช้งานแบตเตอรี่แพ็คเกจ ให้เก็บไว้ห่างวัตถุที่เป็นโลหะอื่นๆ เช่น คลิปหนีบกระดาษ เหรียญ กุญแจ ตะปู สกรู หรือวัตถุที่เป็นโลหะขนาดเล็กอื่นๆ ที่สามารถเชื่อมต่อขั้วหนึ่งไปยังอีกขั้วหนึ่งได้
 - ▶ การลัดวงจรของขั้วแบตเตอรี่อาจทำให้เกิดการไหม้หรือไฟลุกได้
 - ▶ หากใช้แบตเตอรี่อย่างอาจมีขงเหลวไหลออกมาจากแบตเตอรี่ได้ ให้หลีกเลี่ยงการสัมผัส หากสัมผัสโดยบังเอิญ ให้ใช้น้ำล้าง หากขงของเหลวเข้าตา ให้ขอความช่วยเหลือจากแพทย์ด้วย
 - ▶ ขงของเหลวที่ไหลออกมาจากแบตเตอรี่อาจทำให้เกิดอาการคันหรือแสบผิวหนังได้
 - ▶ อย่าใช้แบตเตอรี่แพ็คเกจหรือเครื่องมือที่ชำรุดหรือดัดแปลง
 - ▶ แบตเตอรี่ที่ชำรุดหรือดัดแปลงอาจแสดงอาการที่ไม่สามารถคาดเดาได้ ส่งผลให้เกิดไฟไหม้ ระเบิด หรือความเสี่ยงต่อการได้รับบาดเจ็บ
 - ▶ อย่าให้แบตเตอรี่แพ็คเกจหรือเครื่องมือสัมผัสไฟหรืออุณหภูมิที่สูงเกินไป หากสัมผัสไฟหรืออุณหภูมิที่สูงกว่า 130 °C อาจทำให้เกิดการระเบิดได้
 - ▶ ปฏิบัติตามคำแนะนำเกี่ยวกับการชาร์จทั้งหมด และต้องไม่ชาร์จแบตเตอรี่แพ็คเกจหรือเครื่องมือนอกช่วงอุณหภูมิที่กำหนดในคำแนะนำ การชาร์จแบตเตอรี่อย่างไม่ถูกวิธีหรือนอกช่วงอุณหภูมิที่กำหนด อาจทำให้แบตเตอรี่เสียหายและเพิ่มความเสี่ยงต่อการเกิดไฟไหม้
- การบริการ**
- ▶ ส่งเครื่องมือไฟฟ้าของท่านเข้ารับบริการจากช่างซ่อมที่มีคุณสมบัติเหมาะสม โดยใช้อะไหล่ที่เหมือน

กันเท่านั้น ในลักษณะนี้ท่านจะแน่ใจได้ว่าเครื่อง
มือไฟฟ้าอยู่ในสภาพที่ปลอดภัย

- ▶ **อย่าบำรุงรักษาแบตเตอรี่แพ็คที่ชำรุดอย่างเด็ดขาด**
ต้องส่งให้บริษัทผู้ผลิตหรือศูนย์บริการที่ได้
รับอนุญาตทำการบำรุงรักษาแบตเตอรี่แพ็คเท่านั้น

คำเตือนเพื่อความปลอดภัย

ปลอดภัยสำหรับส่วนและ ไชควาง

คำเตือนเพื่อความปลอดภัยสำหรับการทำงานทั้งหมด

- ▶ **สวมประภพป้องกันเสียงดังเมื่อเจาะกระแทก** การรับฟังเสียงดังอาจทำให้สูญเสียการได้ยิน
- ▶ **เมื่อทำงานในบริเวณที่อุปกรณ์ตัดหรือสกรูอาจสัมผัสสายไฟฟ้าที่ซ่อนอยู่** ต้องจับเครื่องมือไฟฟ้าตรงพื้นผิวจับที่หุ้มฉนวน หากอุปกรณ์ตัดหรือสกรูสัมผัสสายไฟที่มีกระแสไฟฟ้า ไหลผ่านจะทำให้ชิ้นส่วนโลหะที่ไม่มีมีการป้องกันของเครื่องมือไฟฟ้าเกิด "มีกระแสไฟฟ้า" ด้วย และส่งผลให้ผู้ใช้งานเครื่องถูกไฟฟ้าดูดได้

คำเตือนเพื่อความปลอดภัยเมื่อใช้ดอกสว่านยาว

- ▶ **อย่าทำงานด้วยความเร็วที่สูงกว่าอัตราความเร็วสูงสุดของดอกสว่าน** ที่ความเร็วที่สูงกว่า ดอกสว่านอาจโค้งงอเมื่อปล่อยให้หมุนอย่างอิสระโดยไม่สัมผัสชิ้นงาน และส่งผลให้ได้รับบาดเจ็บทางร่างกาย
- ▶ **เริ่มต้นเจาะด้วยความเร็วต่ำและให้ปลายดอกสว่านสัมผัสชิ้นงานเสมอ** ที่ความเร็วที่สูงกว่า ดอกสว่านอาจโค้งงอเมื่อปล่อยให้หมุนอย่างอิสระโดยไม่สัมผัสชิ้นงาน และส่งผลให้ได้รับบาดเจ็บทางร่างกาย
- ▶ **ใช้แรงกดให้ตรงกับแนวดอกสว่านเท่านั้นและอย่าใช้แรงกดมากเกินไป** ดอกสว่านอาจโค้งงอทำให้แตกหักหรือสูญเสียการควบคุม และส่งผลให้ได้รับบาดเจ็บทางร่างกาย

คำแนะนำเพื่อความปลอดภัยเพิ่มเติม

- ▶ **จับเครื่องมือไฟฟ้าให้แน่น** ขณะขันสกรูเข้าและคลายออก อาจเกิดแรงบิดสะท้อนช่วงสั้นๆ อย่างรุนแรงได้
- ▶ **ยึดชิ้นงานให้แน่น** การยึดชิ้นงานด้วยเครื่องมือหนีบหรือแท่นจับจะมีมากกว่าการยึดด้วยมือ
- ▶ **ใช้เครื่องตรวจจับที่เหมาะสมเพื่อตรวจสอบสายไฟฟ้าหรือท่อสาธารณูปโภคที่อาจซ่อนอยู่ในบริเวณทำงานหรือติดต่อบริษัทสาธารณูปโภคในพื้นที่เพื่อขอความช่วยเหลือ** การสัมผัสกับสายไฟฟ้าอาจทำให้เกิดไฟไหม้หรือถูกไฟฟ้าดูด การทำให้ท่อแก๊สเสียหายอาจทำให้เกิดระเบิด การเจาะเข้าไปในท่อน้ำ ทำให้ทรัพย์สินเสียหาย
- ▶ **รอให้เครื่องมือไฟฟ้าหยุดสนิทก่อนวางเครื่องลงบนพื้น** เครื่องมือที่ปล่อยวางอาจติดขัดและทำให้สูญเสียการควบคุมเครื่องมือไฟฟ้า

- ▶ **เมื่อแบตเตอรี่ชำรุดและนำไปใช้งานอย่างไม่ถูกต้อง อาจมีไอระเหยออกมาได้** แบตเตอรี่อาจเผาไหม้หรือระเบิดได้ให้สูดอากาศบริสุทธิ์และไปพบแพทย์ในกรณีเจ็บปวด ไอระเหยอาจทำให้ระบบหายใจระคายเคือง
- ▶ **อย่าเปิดแบตเตอรี่** อันตรายจากการลัดวงจร
- ▶ **วัตถุที่แหลมคม ต. ย. เช่น ตะปูหรือ ไชควาง หรือแรงกระทำภายนอก อาจทำให้แบตเตอรี่เสียหายได้** สิ่งเหล่านี้ อาจทำให้เกิดการลัดวงจรภายในและแบตเตอรี่ใหม่ มีควัน ระเบิด หรือร้อนเกินไป
- ▶ **ใช้แบตเตอรี่แพ็คเฉพาะในผลิตภัณฑ์ของผู้ผลิตเท่านั้น** ในลักษณะนี้ แบตเตอรี่แพ็คจะได้รับการปกป้องจากการใช้งานเกินกำลังซึ่งเป็นอันตราย



ปกป้องแบตเตอรี่จากความร้อน รวมทั้ง ต. ย. เช่น จากการถูกแสงแดดส่องต่อเนื่อง จากไฟสปาร์ก น้ำ และความชื้น อันตรายจากการระเบิดและการลัดวงจร

- ▶ **ปิดสวิตช์เครื่องมือไฟฟ้าทันทีหากเครื่องมือติดขัด** ให้เตรียมพร้อมสำหรับปฏิกิริยาแรงบิดสูงซึ่งเป็นเหตุให้เกิดการตีกลับ เครื่องมือจะติดขัดเมื่อเครื่องมือไฟฟ้าถูกใช้งานเกินกำลังหรือเครื่องมือถูกบีบอัดอยู่ในชิ้นงาน

รายละเอียดผลิตภัณฑ์และข้อมูล

จำเพาะ



อ่านคำเตือนเพื่อความปลอดภัยและคำแนะนำทั้งหมด การไม่ปฏิบัติตามคำเตือนและคำสั่งอาจเป็นสาเหตุใหญ่ถูกไฟฟ้าดูด เกิดไฟไหม้และ/หรือได้รับบาดเจ็บอย่างร้ายแรง

กรุณาดูภาพประกอบในส่วนหน้าของคู่มือการใช้งาน

ประโยชน์การใช้งานของเครื่อง

เครื่องนี้ใช้สำหรับขันสกรูเข้าและคลายออก รวมทั้งเจาะรูในไม้ โลหะ เซรามิก และพลาสติก รุ่น GSB ยังใช้สำหรับการเจาะกระแทกในอิฐ คอนกรีต และหินได้ด้วย

ส่วนประกอบที่แสดงภาพ

ลำดับเลขของส่วนประกอบผลิตภัณฑ์ข้างถึงส่วนประกอบของเครื่องที่แสดงในหน้าภาพประกอบ

- (1) ด้ามจับเครื่องมือ
- (2) หัวจับดอกชนิดจับเร็ว
- (3) แหวนตั้งแรงบิดล่วงหน้า
- (4) สวิตช์เลือกโหมดการทำงาน (GSB)
- (5) สวิตช์ตั้งเกียร์

- (6) ผาครอบ
 (7) แบตเตอรี่
 (8) แป้นปลดล๊อคแบตเตอรี่
 (9) ไฟส่องบริเวณทำงาน
 (10) สวิตช์เปลี่ยนทิศทางการหมุน
 (11) สวิตช์เปิด-ปิด
 (12) ด้ามจับ (พื้นผิวจับหุ้มฉนวน)

- (13) ก้านจับดอกทั่วไป^{A)}
 (14) แปรงถ่าน
 (15) ปุ่มไฟแสดงสถานะการชาร์จ
 (16) ไฟแสดงสถานะการชาร์จแบตเตอรี่

A) อุปกรณ์ประกอบที่แสดงภาพหรืออธิบายไม่รวมอยู่ในการจัดส่งมาตรฐาน กรุณาดูอุปกรณ์ประกอบทั้งหมดในรายการแสดงอุปกรณ์ประกอบของเรา

ข้อมูลทางเทคนิค

ส่วน/ไขควงไร้สาย		GSR 180-LI	GSB 180-LI
หมายเลขสินค้า		3 601 JF8 1..	3 601 JF8 3..
แรงดันไฟฟ้าพิกัด	V=	18	18
ความเร็วรอบเดินดั่วเปล่า			
- เกียร์ 1	รอบ/นาที	0-500	0-500
- เกียร์ 2	รอบ/นาที	0-1900	0-1900
อัตรากระแทก	รอบ/นาที	-	0-27000
แรงบิดสูงสุดสำหรับการขันสกรูแบบแข็ง/นุ่มตาม ISO 5393 ^{A)}	นิวตันเมตร	54/21	54/21
Ø-การเจาะ สูงสุด (เกียร์ 1 และ 2)			
- ไม้	มม.	35	35
- เหล็กกล้า	มม.	10	10
- งานก่ออิฐ	มม.	-	10
ด้ามจับเครื่องมือ		1.5-13	1.5-13
Ø-สกรู สูงสุด	มม.	10	10
น้ำหนักตามระเบียบการ EPTA-Procedure 01:2014 ^{A)}	กก.	1,6-2,6	1,7-2,7
อุณหภูมิโดยรอบที่แนะนำเมื่อชาร์จ	°C	0 ... +35	0 ... +35
อุณหภูมิโดยรอบที่อนุญาตเมื่อใช้งาน ^{B)} และระหว่างการเก็บรักษา	°C	-20 ... +50	-20 ... +50
แบตเตอรี่ที่แนะนำ		GBA 18V... ProCORE18V...	GBA 18V... ProCORE18V...
เครื่องชาร์จที่แนะนำ		GAL 18... GAX 18... GAL 36...	GAL 18... GAX 18... GAL 36...

A) ขึ้นอยู่กับแบตเตอรี่แพ็คที่ใช้

B) สมรรถภาพจะน้อยลงที่อุณหภูมิ <0 °C

การติดตั้ง

- ▶ **ถอดแบตเตอรี่ออกจากเครื่องมือไฟฟ้าก่อนทำการปรับแต่งใดๆ ที่เครื่องมือไฟฟ้า (ต. ย. เช่น บำรุงรักษา เปลี่ยนเครื่องมือ ฯลฯ) รวมทั้งเมื่อขนย้ายและเก็บรักษา** อันตรายจากการบาดเจ็บหากสวิทช์เปิด-ปิดติดขึ้นอย่างไม่ตั้งใจ

การชาร์จแบตเตอรี่

- ▶ **ใช้เฉพาะเครื่องชาร์จแบตเตอรี่ที่ระบุในข้อมูลทางเทคนิคเท่านั้น** เฉพาะเครื่องชาร์จแบตเตอรี่เหล่านี้เท่านั้นที่เข้าชุดกับแบตเตอรี่ลิเทียมไอออน ที่ใช้ในเครื่องมือไฟฟ้าของท่าน

หมายเหตุ: แบตเตอรี่แพ็คที่จัดส่งมาถูกชาร์จมาแล้วบางส่วน เพื่อให้แบตเตอรี่แพ็คทำงานได้เต็มประสิทธิภาพ ต้องชาร์จแบตเตอรี่แพ็ค

ในเครื่องชาร์จแบตเตอรี่ให้เต็มก่อนใช้งานเครื่องมือไฟฟ้าของท่านเป็นครั้งแรก

แบตเตอรี่ลิเทียม ไอออน

สามารถชาร์จได้ทุกเวลาโดยอายุการใช้งานจะไม่ลดลง การขัดจังหวะกระบวนการชาร์จไม่ทำให้แบตเตอรี่แพ็คเสียหาย

“Electronic Cell Protection (ECP)” ช่วยป้องกันไม่ให้แบตเตอรี่ลิเทียม ไอออน จ่ายกระแสไฟออกอีก เมื่อแบตเตอรี่แพ็คหมดไฟ วงจรป้องกันจะดับสวิทช์เครื่องมือไฟฟ้าให้อยู่จะไม่หมุนต่อ

- ▶ **เมื่อเครื่องมือไฟฟ้าปิดสวิทช์ลงโดยอัตโนมัติ อย่างคสรี หรือเปิด-ปิด อีกต่อไป** แบตเตอรี่แพ็คอาจชาร์จได้อ่านและปฏิบัติตามข้อสังเกตสำหรับการกำจัดขยะ

การถอดแบตเตอรี่

แบตเตอรี่แพ็ค (7) มีการล็อกสองระดับเพื่อป้องกันไม่ให้แบตเตอรี่แพ็คร่วงหล่นออกมาหากกดแป้นปลดล็อกแบตเตอรี่แพ็ค (8) โดยไม่ตั้งใจ เมื่อแบตเตอรี่แพ็คถูกรวบรวมอยู่ในเครื่องมือไฟฟ้า สปริงจะยึดแบตเตอรี่แพ็คให้เข้าตำแหน่ง เมื่อต้องการถอดแบตเตอรี่แพ็ค (7) ออก ให้กดแป้นปลดล็อก (8) และดึงแบตเตอรี่แพ็คออกจากเครื่องมือไฟฟ้า **อย่าใช้กำลังดึง**

ไฟแสดงสถานะการชาร์จแบตเตอรี่

ไฟ LED สีเขียวของการแสดงสถานะการชาร์จแบตเตอรี่แพ็ค (16) แสดงสถานะการชาร์จของแบตเตอรี่แพ็ค (7) ด้วยเหตุผลด้านความปลอดภัย ท่านสามารถตรวจสอบสถานะการชาร์จเฉพาะเมื่อเครื่องมือไฟฟ้าหยุดสนิทเท่านั้น กดปุ่มสำหรับไฟแสดงสถานะการชาร์จ (15) เพื่อแสดงสถานะการชาร์จ ท่านสามารถกดได้แม้เมื่อได้ถอดแบตเตอรี่แพ็คออกแล้ว

หากไฟ LED ไม่ติดขึ้นหลังจากกดปุ่มสำหรับไฟแสดงสถานะการชาร์จ (15) แสดงว่าแบตเตอรี่แพ็คชำรุดและต้องเปลี่ยนใหม่

แบตเตอรี่แพ็ค-ชนิด GBA 18V... (ดูภาพประกอบ D1)

LED	ความจุ
ส่องสว่างต่อเนื่อง 3 x สีเขียว	60-100 %
ส่องสว่างต่อเนื่อง 2 x สีเขียว	30-60 %
ส่องสว่างต่อเนื่อง 1 x สีเขียว	5-30 %
ไฟกะพริบ 3 x สีเขียว	0-5 %

แบตเตอรี่แพ็ค-ชนิด ProCORE18V... (ดูภาพประกอบ D2)

LED	ความจุ
ส่องสว่างต่อเนื่อง 5x สีเขียว	80-100 %
ส่องสว่างต่อเนื่อง 4x สีเขียว	60-80 %
ส่องสว่างต่อเนื่อง 3x สีเขียว	40-60 %
ส่องสว่างต่อเนื่อง 2x สีเขียว	20-40 %
ส่องสว่างต่อเนื่อง 1x สีเขียว	5-20 %
ไฟกะพริบ 1x สีเขียว	0-5 %

การเปลี่ยนเครื่องมือ (ดูภาพประกอบ A)

- ▶ **ถอดแบตเตอรี่ออกจากเครื่องมือไฟฟ้าก่อนทำการปรับแต่งใดๆ ที่เครื่องมือไฟฟ้า (ต. ย. เช่น บำรุงรักษา เปลี่ยนเครื่องมือ ฯลฯ) รวมทั้งเมื่อขนย้ายและเก็บรักษา** อันตรายจากการบาดเจ็บหากสวิทช์เปิด-ปิดติดขึ้นอย่างไม่ตั้งใจ

เปิดหัวจับดอกชนิดจับเร็ว (2) โดยหมุนไปในทิศทางหมุน ⓐ จนสามารถใส่เครื่องมือได้ ใส่เครื่องมือเข้า

ใช้มือหมุนปลอกของหัวจับดอกชนิดจับเร็ว (2) ไปในทิศทางหมุน ⓑ เข้าให้แน่น ในลักษณะนี้หัวจับดอกจะถูกล็อกโดยอัตโนมัติ

การดูดฝุ่น/ซีลื้อย

ฝุ่นที่ได้จากวัสดุ เช่น เคลือบผิวที่มีสารตะกั่ว ไม้บางประเภท แร่ธาตุ และโลหะ อาจเป็นอันตรายต่อสุขภาพ การสัมผัสหรือการหายใจเอาฝุ่นเข้าไปอาจทำให้เกิดปฏิกิริยาแพ้ฝุ่น และ/หรือนำมาซึ่งโรคติดเชื้อระบบหายใจแก่ผู้ใช้เครื่องมือหรือผู้ที่ยืนอยู่ใกล้เคียง

ฝุ่นบางประเภท เช่น ฝุ่นไม้โอ๊ก หรือไม้บีช นับเป็นสารที่ทำให้เกิดมะเร็ง โดยเฉพาะอย่างยิ่งเมื่อผสมกับสารเติมแต่งเพื่อบำบัดไม้ (โครเมต ผลิตภัณฑ์รักษาเนื้อไม้) สำหรับวัสดุที่มีแอสเบสทอสต้องให้ผู้เชี่ยวชาญทำงานเท่านั้น

- จัดสถานที่ทำงานให้มีการระบายอากาศที่ดี

- ขอแนะนำให้สวมหมวกกันน็อกป้องกันการติดเชื้อมีระดับ-ไลกรอง P2

ปฏิบัติตามกฎข้อบังคับสำคัญอื่นๆ ที่เกี่ยวกับวัสดุชิ้นงานที่บังคับใช้ในประเทศของท่าน

- ▶ **ป้องกันการสะสมของฝุ่นในสถานที่ทำงาน**
ฝุ่นสามารถถูกใหม่อย่างง่ายดาย

การปฏิบัติงาน

การเริ่มต้นปฏิบัติงาน

การใส่แบตเตอรี่

หมายเหตุ: การใช้แบตเตอรี่แพ็คที่ไม่เหมาะกับเครื่องมือไฟฟ้าของท่านอาจทำให้เครื่องมือไฟฟ้าทำงานผิดปกติหรือเสียหายได้

ตั้งสวิตช์เปลี่ยนทิศทางการหมุน (10) ไว้ที่กึ่งกลางเพื่อป้องกันการเปิดสวิตช์โดยไม่ตั้งใจ ใส่แบตเตอรี่แพ็คที่ชาร์จไฟแล้ว (7) เข้าในค้ำจับจนได้ยินเสียงล็อกเข้าที่และวางราบเสมอกันกับค้ำจับ

การตั้งทิศทางการหมุน (ดูภาพประกอบ B)

ท่านสามารถเปลี่ยนทิศทางการหมุนของเครื่องมือไฟฟ้าได้ด้วยสวิตช์เปลี่ยนทิศทางการหมุน (10) อย่างไรก็ตาม หากสวิตช์เปิด-ปิด (11) ถูกกดอยู่ จะกลับทิศทางการหมุนไม่ได้

การหมุนทางขวา: สำหรับการเจาะและการขันสกรูเข้า ให้กดสวิตช์เปลี่ยนทิศทางการหมุน (10) ไปทางซ้ายจนสุด

การหมุนทางซ้าย: สำหรับคลายหรือหมุนสกรูและน็อตออก ให้กดสวิตช์เปลี่ยนทิศทางการหมุน (10) ไปทางขวาจนสุด

การตั้งโหมดทำงาน



การเจาะ

GSR:

ตั้งแหวนตั้งแรงบิดล่วงหน้า (3) ไว้ที่แรงบิดที่ต้องการ

GSB:

ตั้งสวิตช์เลือกโหมดการทำงาน (4) ไว้ที่สัญลักษณ์ “การเจาะ”



การขันสกรู

GSR:

ตั้งแหวนตั้งแรงบิดล่วงหน้า (3) ไว้ที่สัญลักษณ์ “การขันสกรู”

GSB:

ตั้งสวิตช์เลือกโหมดการทำงาน (4) ไว้ที่สัญลักษณ์ “การขันสกรู”



การเจาะกระแทก (GSB)

ตั้งสวิตช์เลือกโหมดการทำงาน (4) ไว้ที่สัญลักษณ์ “การเจาะกระแทก”

การเปิด-ปิดเครื่อง

สตาร์ท เครื่องมือไฟฟ้าโดยกดสวิตช์เปิด-ปิด (11) และกดค้ำไว้

ไฟ LED (9) จะส่องสว่างเมื่อกดสวิตช์เปิด-ปิด (11) เมาท์หรือเต็มที่ และให้ความสว่างบริเวณทำงานภายใต้สภาพแสงที่ไม่เอื้ออำนวย

ปิด เครื่องมือไฟฟ้าโดยปล่อยนิ้วจากสวิตช์เปิด-ปิด (11)

การปรับความเร็วรอบ

ท่านสามารถปรับความเร็วรอบของเครื่องมือไฟฟ้าที่เปิดสวิตช์อยู่ได้อย่างต่อเนื่องตามแรงกดมากขึ้นบนสวิตช์เปิด-ปิด (11)

การกดสวิตช์เปิด-ปิด (11) เมาท์จะให้ความเร็วรอบต่ำ การกดสวิตช์แรงยิ่งขึ้นจะให้ความเร็วรอบสูงขึ้น

การตั้งแรงบิดล่วงหน้า

ท่านสามารถเลือกแรงบิดที่ต้องการล่วงหน้าได้ 20 ขั้นด้วยแหวนตั้งแรงบิดล่วงหน้า (3) เครื่องมือจะหยุดทำงานเมื่อถึงแรงบิดที่ตั้งไว้ล่วงหน้า

การตั้งเกียร์ ระบบกลไก

- ▶ **ท่านสามารถค้ำปุ่มตั้งเกียร์ (5) เมื่อเครื่องมือไฟฟ้าหยุดนิ่งอยู่กับที่หรือขณะเครื่องกำลังเดินอยู่ อย่างไรก็ตาม ท่านไม่ควรกระทำขณะเครื่องไหลตเต็มที่หรือขณะเครื่องเดินที่ความเร็วรอบสูงสุด**

เกียร์ I:

สำหรับงานเจาะรูเส้นผ่าศูนย์กลางขนาดใหญ่หรือสำหรับการขันสกรู

เกียร์ II:

ความเร็วรอบสูงกว่า; สำหรับงานเจาะรูเส้นผ่าศูนย์กลางขนาดเล็ก

การป้องกันการใช้งานเกินกำลังโดยอาศัยอุณหภูมิ

เมื่อใช้งานเครื่องมือไฟฟ้าตรงตามวัตถุประสงค์ เครื่องจะไม่ทำงานเกินพิกัด หากเครื่องมือไฟฟ้าทำงานเกินพิกัดหรืออยู่นอกช่วงอุณหภูมิแบตเตอรี่ที่อนุญาต เครื่องมือไฟฟ้าจะปิดสวิตช์ และไฟ LED ที่เครื่องมือไฟฟ้าจะกะพริบ ปล่อยเครื่องมือไฟฟ้าให้เย็นลงก่อนทำงานต่อไป

การป้องกันการจ่ายกระแสไฟฟ้ออกกลับ

"Electronic Cell Protection (ECP)" ช่วยป้องกันไม่ให้แบตเตอรี่ลิเทียม ไอออน จ่ายกระแสไฟฟ้ออกกลับ เมื่อแบตเตอรี่แพ็คหมดไฟ วงจรป้องกันจะดับสวิตช์เครื่องมือไฟฟ้า เครื่องมือที่ใส่อยู่จะไม่หมุนต่อ

การปิดระบบอย่างรวดเร็ว (Kickback Control)



การปิดระบบอย่างรวดเร็ว (Kickback Control) ช่วยให้สามารถควบคุมเครื่องมือไฟฟ้าได้ดียิ่งขึ้นและปกป้องผู้ใช้มากยิ่งขึ้นเมื่อเทียบกับเครื่องมือไฟฟ้าที่ไม่มี

Kickback Control เมื่อเครื่องมือไฟฟ้าหมุนรอบแกนส่วนอย่างฉับพลันและไม่คาดคิด เครื่องมือไฟฟ้าจะปิดสวิทช์

เมื่อมีการปิดการทำงานของระบบอย่างรวดเร็ว ไฟ LED บนเครื่องมือไฟฟ้าจะกะพริบ

เมื่อต้องการเริ่มต้นทำงานอีกครั้งให้ปล่อยนิ้วจากสวิทช์เปิด-ปิดและกดสวิทช์อีกครั้ง

- ▶ หากฟังก์ชันการควบคุมแรงสั่นสะเทือน (Kickback Control) ชำรุด จะไม่สามารถเปิดเครื่องมือไฟฟ้าได้อีกต่อไป ส่งเครื่องมือวัดให้ช่างผู้เชี่ยวชาญตรวจซ่อมและใช้อะไหล่เปลี่ยนของแท้เท่านั้น

ข้อแนะนำในการทำงาน

- ▶ ดันสวิทช์ตั้งเกียร์หรือหมุนสวิทช์เลือกโหมดให้สุด มิฉะนั้นเครื่องมือไฟฟ้าอาจชำรุดได้
 - ▶ จับเครื่องมือไฟฟ้าเข้าบนหัวสกรู/นอตเมื่อเครื่องปิดอยู่เท่านั้น เครื่องมือที่หมุนอยู่อาจลื่นไถล
- ท่านสามารถใช้เครื่องมือช่วยเพื่อถอดดอกไขควงหรือด้ามจับดอกทั่วไปออก
- ▶ การทำงานในสภาพแวดล้อมที่เต็มไปด้วยฝุ่นมากๆ อาจทำให้เครื่องมือไฟฟ้าชัตของได้ หากเครื่องมือไฟฟ้าชัตของ ให้ถอดแรงแรงถ่านออก และตรวจสอบแรงแรงถ่าน (ดูบท “การเปลี่ยนแรงแรงถ่าน”)

การบำรุงรักษาและการบริการ

การบำรุงรักษาและการทำความสะอาด

- ▶ ถอดแบตเตอรี่ออกจากเครื่องมือไฟฟ้าก่อนทำการปรับแต่งใดๆ ที่เครื่องมือไฟฟ้า (ต. ย. เช่น บำรุงรักษา เปลี่ยนเครื่องมือ ฯลฯ) รวมทั้งเมื่อขนย้ายและเก็บรักษา อันตรายจากการบาดเจ็บหากสวิทช์เปิด-ปิดติดขึ้นอย่างไม่ตั้งใจ
- ▶ เพื่อให้ทำงานได้อย่างถูกต้องและปลอดภัย ต้องรักษาเครื่องและช่องระบายอากาศให้สะอาดอยู่เสมอ

การเปลี่ยนแรงแรงถ่าน (ดูภาพประกอบ C)

ตรวจสอบความยาวของแรงแรงถ่านประมาณทุกๆ 2-3 เดือน และเปลี่ยนแรงแรงถ่านใหม่ หากจำเป็น อย่าเปลี่ยนแรงแรงถ่านเพียงแท่งเดียวอย่างเด็ดขาด!

หมายเหตุ: ใช้เฉพาะแรงแรงถ่านที่ บอช จัดส่งและมีไว้สำหรับผลิตภัณฑ์ของท่านเท่านั้น

- คลายฝาครอบ (6) ออกโดยใช้ไขควงที่เหมาะสม
- เปลี่ยนแรงแรงถ่าน (14) ที่อยู่ภายใต้แรงกดสปริง และขันฝาครอบกลับเข้าที่

หากแบตเตอรี่ไม่ทำงานอีกต่อไป

กรุณาติดต่อศูนย์บริการหลังการขายสำหรับเครื่องมือไฟฟ้า บอช ที่ได้รับมอบหมาย

การบริการหลังการขายและการให้คำปรึกษาการใช้งาน

ศูนย์บริการหลังการขายของเรายินดีตอบคำถามของท่านที่เกี่ยวกับการบำรุงรักษาและการซ่อมแซมผลิตภัณฑ์รวมทั้งเรื่องอะไหล่ ภาพเขียนแบบการประกอบและข้อมูลเกี่ยวกับอะไหล่ กรุณาดูใน: www.bosch-pt.com

ทีมงานที่ปรึกษาของ บอช ยินดีให้ข้อมูลเกี่ยวกับผลิตภัณฑ์ของเราและอุปกรณ์ประกอบต่างๆ

เมื่อต้องการสอบถามและสั่งซื้ออะไหล่ กรุณาแจ้งหมายเลขสินค้า 10 หลักบนแผนป้ายรุ่นของผลิตภัณฑ์ทุกครั้ง

ไทย

ไทย บริษัท โรเบิร์ต บอช จำกัด
 เอพวยไอ เซ็นเตอร์ อาคาร 1 ชั้น 5
 เลขที่ 2525 ถนนพระราม 4
 แขวงคลองเตย เขตคลองเตย กรุงเทพฯ 10110
 โทร: +66 2012 8888
 แฟกซ์: +66 2064 5800
www.bosch.co.th

ศูนย์บริการซ่อมและฝึกอบรม บอช
 อาคาร ลานชาลาทาวเวอร์ ชั้น G ห้องเลขที่ 2
 บ้านเลขที่ 10/11 หมู่ 16
 ถนนศรีนครินทร์ ตำบลบางแก้ว อำเภอบางพลี
 จังหวัดสมุทรปราการ 10540
 ประเทศไทย
 โทรศัพท์ 02 7587555
 โทรสาร 02 7587525

การขนส่ง

แบตเตอรี่ลิเธียม ไอออน ที่บรรจุอยู่ภายใต้ข้อกำหนดแห่งกฎหมายสินค้าอันตราย ผู้ใช้สามารถขนส่งแบตเตอรี่แพ็คโดยทางถนนโดยไม่มีข้อบังคับหากขนส่งโดยบุคคลที่สาม (เช่น : การขนส่งทางอากาศ หรือตัวแทนขนส่งสินค้า) ต้องปฏิบัติตามข้อกำหนดพิเศษเกี่ยวกับการบรรจุภัณฑ์และการติดฉลาก สำหรับการจัดเตรียมสิ่งของที่จะจัดส่ง จำเป็นต้องปรึกษาผู้เชี่ยวชาญด้านวัตถุอันตราย

ส่งแบตเตอรี่แพ็คเมื่อตัวหุ้มไม่ชำรุดเสียหายเท่านั้น ใช้แถบ กาวพันปิดหน้าสัมผัสที่เปิดอยู่ และนำแบตเตอรี่แพ็ค ใส่กล่องบรรจุโดยไม่ให้เคลื่อนไปมาในกล่องได้ นอกจากนี้ นี้กรุณาปฏิบัติตามกฎระเบียบของประเทศซึ่งอาจมีรายละเอียดเพิ่มเติม

การกำจัดขยะ



เครื่องมือไฟฟ้า แบตเตอรี่แพ็ค อุปกรณ์ประกอบ และหีบห่อ ต้องนำ

ไปแยกประเภทวัสดุเพื่อนำกลับมาใช้ ใหม่โดยไม่ทำลายสภาพแวดล้อม



อย่าทิ้งเครื่องมือไฟฟ้าและแบตเตอรี่แพ็ค/ แบตเตอรี่ที่นำกลับมาชาร์จใหม่ได้ ลงในขยะ บ้าน!

แบตเตอรี่แพ็ค/แบตเตอรี่:

ลิเธียม ไอออน:

กรุณาปฏิบัติตามคำแนะนำในบทการขนส่ง (ดู "การขนส่ง", หน้า 57)

Bahasa Indonesia

Petunjuk Keselamatan

Petunjuk keselamatan umum untuk perkakas listrik

⚠ PERINGATAN Baca semua peringatan, petunjuk, ilustrasi, dan spesifikasi

keselamatan yang diberikan bersama perkakas listrik ini. Kesalahan dalam menjalankan petunjuk di bawah ini dapat mengakibatkan sengatan listrik, kebakaran, dan/atau cedera serius.

Simpanlah semua peringatan dan petunjuk untuk penggunaan di masa mendatang.

Istilah "perkakas listrik" dalam peringatan mengacu pada perkakas listrik yang dioperasikan dengan listrik (menggunakan kabel) atau perkakas listrik yang dioperasikan dengan baterai (tanpa kabel).

Keamanan tempat kerja

- ▶ **Jaga kebersihan dan pencahayaan area kerja.** Area yang berantakan atau gelap dapat memicu kecelakaan.
- ▶ **Jangan mengoperasikan perkakas listrik di lingkungan yang dapat memicu ledakan, seperti adanya cairan, gas, atau debu yang mudah terbakar.** Perkakas listrik dapat memancarkan bunga api yang kemudian mengakibatkan debu atau uap terbakar.

- ▶ **Jauhkan dari jangkauan anak-anak dan pengamat saat mengoperasikan perkakas listrik.** Gangguan dapat menyebabkan hilangnya kendali.

Keamanan listrik

- ▶ **Steker perkakas listrik harus sesuai dengan stopkontak. Jangan pernah memodifikasi steker. Jangan menggunakan steker adaptor bersama dengan perkakas listrik yang terhubung dengan sistem grounding.** Steker yang tidak dimodifikasi dan stopkontak yang cocok akan mengurangi risiko sengatan listrik.
- ▶ **Hindari kontak badan dengan permukaan yang terhubung dengan sistem grounding, seperti pipa, radiator, kompor, dan lemari es.** Terdapat peningkatan risiko terjadinya sengatan listrik jika badan Anda terhubung dengan sistem grounding.
- ▶ **Perkakas listrik tidak boleh terpapar hujan atau basah.** Air yang masuk ke dalam perkakas listrik menambah risiko terjadinya sengatan listrik.
- ▶ **Jangan menyalahgunakan kabel. Jangan gunakan kabel untuk membawa, menarik, atau melepas steker perkakas listrik. Jauhkan kabel dari panas, minyak, tepi yang tajam, atau komponen yang bergerak.** Kabel listrik yang rusak atau tersangkut menambah risiko terjadinya sengatan listrik.
- ▶ **Saat mengoperasikan perkakas listrik di luar ruangan, gunakan kabel ekstensi yang sesuai untuk penggunaan di luar ruangan.** Penggunaan kabel yang cocok untuk pemakaian di luar ruangan mengurangi risiko terjadinya sengatan listrik.
- ▶ **Jika perkakas listrik memang harus dioperasikan di tempat yang lembap, gunakan pemutus arus listrik residu (RCD).** Penggunaan RCD akan mengurangi risiko terjadinya sengatan listrik.

Keselamatan personel

- ▶ **Tetap waspada, perhatikan aktivitas yang sedang dikerjakan dan gunakan akal sehat saat mengoperasikan perkakas listrik. Jangan gunakan perkakas listrik saat mengalami kelelahan atau di bawah pengaruh narkoba, alkohol, atau obat-obatan.** Jika perkakas listrik dioperasikan dengan daya konsentrasi yang rendah, hal tersebut dapat menyebabkan cedera serius.
- ▶ **Gunakan peralatan pelindung diri. Selalu kenakan pelindung mata.** Penggunaan perlengkapan pelindung seperti penutup telinga, helm, sepatu anti licin, dan masker debu akan mengurangi cedera.
- ▶ **Hindari start yang tidak disengaja. Pastikan switch berada di posisi off sebelum perkakas listrik dihubungkan ke sumber daya listrik dan/atau baterai, diangkat, atau dibawa.** Membawa perkakas listrik dengan jari menempel pada tombol atau perkakas listrik dalam keadaan hidup dapat memicu kecelakaan.
- ▶ **Singkirkan kunci penyatel atau kunci pas sebelum menghidupkan perkakas listrik.** Perkakas atau kunci

pas yang masih menempel pada komponen perkakas listrik yang berputar dapat menyebabkan cedera.

- ▶ **Jangan melampaui batas. Berdirilah secara mantap dan selalu jaga keseimbangan.** Hal ini akan memberikan kontrol yang lebih baik terhadap perkakas listrik pada situasi yang tak terduga.
- ▶ **Kenakan pakaian dengan wajar. Jangan mengenakan perhiasan atau pakaian yang longgar. Jauhkan rambut dan pakaian dari komponen yang bergerak.** Pakaian yang longgar, rambut panjang, atau perhiasan dapat tersangkut dalam komponen yang bergerak.
- ▶ **Jika disediakan perangkat untuk sambungan pengisapan debu dan alat pengumpulan, pastikan perangkat tersebut terhubung dan digunakan dengan benar.** Penggunaan alat pengumpulan dapat mengurangi bahaya yang disebabkan oleh debu.
- ▶ **Jangan berpuas diri dan mengabaikan prinsip keselamatan karena terbiasa mengoperasikan perkakas.** Tindakan yang kurang hati-hati dapat mengakibatkan cedera serius dalam waktu sepersekian detik.

Penggunaan dan pemeliharaan perkakas listrik

- ▶ **Jangan memaksakan perkakas listrik. Gunakan perkakas listrik yang sesuai untuk pekerjaan yang dilakukan.** Perkakas listrik yang sesuai akan bekerja dengan lebih baik dan aman sesuai tujuan penggunaan.
- ▶ **Jangan gunakan perkakas listrik dengan switch yang tidak dapat dioperasikan.** Perkakas listrik yang switchnya yang tidak berfungsi dapat menimbulkan bahaya dan harus diperbaiki.
- ▶ **Lepaskan steker dari sumber listrik dan/atau lepas baterai, jika dapat dilepaskan dari perkakas listrik sebelum menyatel, mengganti aksesori, atau menyimpan perkakas listrik.** Tindakan preventif akan mengurangi risiko menghidupkan perkakas listrik secara tidak disengaja.
- ▶ **Jauhkan dan simpan perkakas listrik dari jangkauan anak-anak dan jangan biarkan orang-orang yang tidak mengetahui cara menggunakan perkakas listrik, mengoperasikan perkakas listrik.** Perkakas listrik dapat membahayakan jika digunakan oleh orang-orang yang tidak terlatih.
- ▶ **Lakukan pemeliharaan perkakas listrik dan aksesori. Periksa komponen yang bergerak apabila tidak lurus atau terikat, kerusakan komponen, dan kondisi lain yang dapat mengganggu pengoperasian perkakas listrik. Apabila rusak, perbaiki perkakas listrik sebelum digunakan.** Kecelakaan sering terjadi karena perkakas listrik tidak dirawat dengan baik.
- ▶ **Jaga ketajaman dan kebersihan alat.** Alat pemotong dengan pisau pemotong yang tajam dan dirawat dengan baik tidak akan mudah tersangkut dan lebih mudah dikendalikan.
- ▶ **Gunakan perkakas listrik, aksesori, dan komponen perkakas dll sesuai dengan petunjuk ini, dengan mempertimbangkan kondisi kerja dan pekerjaan yang**

akan dilakukan. Penggunaan perkakas listrik untuk tujuan berbeda dari fungsinya dapat menyebabkan situasi yang berbahaya.

- ▶ **Jaga gagang dan permukaan genggam agar tetap kering, bersih, dan bebas dari minyak dan lemak.** Gagang dan permukaan genggam yang licin tidak menjamin keamanan kerja dan kontrol alat yang baik pada situasi yang tidak terduga.

Penggunaan dan pemeliharaan perkakas baterai

- ▶ **Isi ulang daya hanya dengan pengisi daya yang ditentukan oleh produsen.** Pengisi daya yang sesuai untuk satu jenis set baterai dapat menyebabkan risiko kebakaran apabila digunakan dengan set baterai lain.
- ▶ **Hanya gunakan perkakas listrik dengan set baterai yang dirancang khusus.** Penggunaan set baterai lain dapat menyebabkan risiko cedera dan kebakaran.
- ▶ **Apabila set baterai tidak digunakan, jauhkan dari benda logam lainnya, seperti klip kertas, koin, kunci, paku, sekrup, atau benda logam kecil lainnya yang dapat membuat sambungan dari satu terminal ke terminal lainnya.** Memendekkan terminal baterai dapat menyebabkan kebakaran atau api.
- ▶ **Cairan dapat keluar dari baterai jika baterai tidak digunakan dengan benar; hindari kontak. Jika terjadi kontak secara tidak disengaja, bilas dengan air. Jika cairan mengenai mata, segera hubungi bantuan medis.** Cairan yang keluar dari baterai dapat menyebabkan iritasi atau luka bakar.
- ▶ **Jangan gunakan set baterai atau perkakas yang rusak atau telah dimodifikasi.** Baterai yang rusak atau telah dimodifikasi dapat menimbulkan kejadian yang tak terduga seperti kebakaran, ledakan, atau risiko cedera.
- ▶ **Jangan meletakkan set baterai atau perkakas di dekat api atau suhu tinggi.** Paparan terhadap api atau suhu di atas 130 °C dapat memicu ledakan.
- ▶ **Ikuti semua petunjuk pengisian daya dan jangan mengisi daya set baterai atau perkakas di luar rentang suhu yang ditentukan dalam petunjuk.** Pengisian daya yang tidak tepat atau di luar rentang suhu yang ditentukan dapat merusak baterai dan meningkatkan risiko kebakaran.

Servis

- ▶ **Minta teknisi berkualifikasi untuk menyervis perkakas listrik dengan hanya menggunakan suku cadang yang identik.** Dengan demikian, hal ini akan memastikan keamanan perkakas listrik.
- ▶ **Jangan pernah melakukan servis pada baterai yang telah rusak.** Servis baterai hanya boleh dilakukan oleh produsen atau penyedia servis resmi.

Petunjuk Keselamatan untuk Mesin Bor dan Obeng

Petunjuk keselamatan untuk semua pengoperasian

- ▶ **Kenakan pemalut telinga ketika bekerja.** Suara bising alat dapat menyebabkan berkurangnya pendengaran.

- ▶ **Pegang perkakas listrik pada permukaan gagang berisolator saat mengoperasikannya, aksesoris pemotong atau pengunci dapat bersentuhan dengan kabel yang tidak terlihat.** Aksesoris pemotong atau pengunci yang bersentuhan dengan kabel yang dialiri listrik dapat menyebabkan bagian logam perkakas listrik yang terbuka dialiri listrik sehingga pengguna dapat tersengat listrik.

Petunjuk keselamatan saat menggunakan mata bor panjang

- ▶ **Jangan pernah mengoperasikan alat dengan kecepatan yang lebih tinggi dari nilai kecepatan maksimal mata bor.** Pada kecepatan yang tinggi, mata bor akan membengkok jika berputar secara bebas tanpa menyentuh benda kerja dan dapat menyebabkan cedera terhadap pengguna.
- ▶ **Selalu hidupykan alat bor pada kecepatan rendah dengan ujung mata bor menyentuh benda kerja.** Pada kecepatan yang tinggi, mata bor akan membengkok jika berputar secara bebas tanpa menyentuh benda kerja dan dapat menyebabkan cedera terhadap pengguna.
- ▶ **Tekan hanya pada garis langsung dengan mata bor dan jangan tekan secara berlebihan.** Mata bor dapat membengkok dan menyebabkan kerusakan atau hilang kendali sehingga menyebabkan cedera terhadap pengguna.

Petunjuk Keselamatan tambahan

- ▶ **Pegang perkakas listrik dengan kencang.** Saat mengencangkan dan mengendurkan obeng dapat terjadi reaksi torsi yang tinggi sesaat.
- ▶ **Gunakan alat kerja dengan aman.** Benda yang ditahan dalam alat pemegang atau baus lebih aman daripada benda yang dipegang dengan tangan.
- ▶ **Gunakanlah alat detektor logam yang cocok untuk mencari kabel dan pipa yang tidak terlihat atau hubungi perusahaan pengadaan setempat.** Sentuhan dengan kabel-kabel listrik dapat mengakibatkan api dan kontak listrik. Pipa gas yang dirusak dapat mengakibatkan ledakan. Pipa air yang dirusak mengakibatkan barang-barang menjadi rusak.
- ▶ **Sebelum meletakkan perkakas listrik, tunggulah hingga perkakas berhenti berputar.** Alat kerja dapat tersangkut dan menyebabkan perkakas listrik tidak dapat dikendalikan.
- ▶ **Asap dapat keluar apabila terjadi kerusakan atau penggunaan yang tidak tepat pada baterai. Baterai dapat terbakar atau meledak.** Biarkan udara segar mengalir masuk dan kunjungi dokter apabila mengalami gangguan kesehatan. Asap tersebut dapat mengganggu saluran pernafasan.
- ▶ **Jangan membuka baterai.** Ada bahaya terjadinya korsleting.
- ▶ **Baterai dapat rusak akibat benda-benda lancip, seperti jarum, obeng, atau tekanan keras dari luar.** Hal ini dapat menyebabkan terjadinya hubungan singkat

internal dan baterai dapat terbakar, berasap, meledak, atau mengalami panas berlebih.

- ▶ **Hanya gunakan baterai pada produk yang dibuat oleh produsen.** Hanya dengan cara ini, baterai dapat terlindungi dari kelebihan muatan.



Lindungi baterai dari panas, misalnya juga dari paparan sinar matahari dalam waktu yang lama, api, kotoran, air dan kelembapan. Terdapat risiko ledakan dan korsleting.

- ▶ **Segera matikan perkakas listrik jika alat tambahan terkunci. Bersiaplah dengan reaksi tinggi yang menyebabkan sentakan.** Alat tambahan akan terkunci jika perkakas listrik mengalami kelebihan beban atau perkakas bergerak miring pada benda kerja.

Spesifikasi produk dan performa



Bacalah semua petunjuk keselamatan dan petunjuk penggunaan. Kesalahan dalam menjalankan petunjuk keselamatan dan petunjuk penggunaan dapat mengakibatkan kontak listrik, kebakaran, dan/atau luka-luka

yang berat.

Perhatikan ilustrasi yang terdapat pada sisi sampul panduan pengoperasian.

Tujuan penggunaan

Perkakas listrik ini digunakan untuk mengencangkan dan melepaskan baut, juga dapat digunakan untuk pengeboran kayu, besi, keramik dan plastik. Selain itu, GSB cocok untuk pengeboran pada batu bata, beton dan batu.

Ilustrasi komponen

Nomor-nomor dari bagian-bagian perkakas pada gambar sesuai dengan gambar perkakas listrik pada halaman bergambar.

- (1) Dudukan alat kerja
- (2) Keyless chuck
- (3) Ring untuk penyetelan awal torsi
- (4) Switch selektor mode pengoperasian (GSB)
- (5) Switch selektor tingkat putaran
- (6) Kap penutup
- (7) Baterai
- (8) Tombol pelepas baterai
- (9) Lampu kerja
- (10) Switch arah putaran
- (11) Tombol on/off
- (12) Gagang (permukaan genggam berisolator)
- (13) Dudukan bit universal^{A)}
- (14) Carbon brush
- (15) Tombol indikator level pengisian daya baterai

(16) Indikator level pengisian daya baterai

A) Aksesori yang ada pada gambar atau yang dijelaskan tidak termasuk dalam lingkup pengiriman standar. Semua aksesori yang ada dapat Anda lihat dalam program aksesori kami.

Data teknis

Obeng listrik berdaya baterai		GSR 180-LI	GSB 180-LI
Nomor seri		3 601 JF8 1..	3 601 JF8 3..
Tegangan nominal	V=	18	18
Kecepatan idle			
– Tingkat putaran pertama	min ⁻¹	0–500	0–500
– Tingkat putaran kedua	min ⁻¹	0–1 900	0–1 900
Tingkat getaran	min ⁻¹	–	0–27 000
Torsi maks. penyekrupan ketat/lunak menurut ISO 5393 ^{A)}	Nm	54/21	54/21
Ø (diameter) pengeboran maks. (tingkat putaran pertama dan kedua)			
– Kayu	mm	35	35
– Baja	mm	10	10
– Pengerjaan pada batu bata	mm	–	10
Dudukan alat kerja		1,5–13	1,5–13
Ø (diameter) sekrup maks.	mm	10	10
Berat sesuai dengan EPTA-Procedure 01:2014 ^{A)}	kg	1,6–2,6	1,7–2,7
Suhu sekitar yang direkomendasikan saat pengisian daya	°C	0 ... +35	0 ... +35
Suhu sekitar yang diizinkan saat pengoperasian ^{B)} dan saat disimpan	°C	-20 ... +50	-20 ... +50
Baterai yang direkomendasikan		GBA 18V... ProCORE18V...	GBA 18V... ProCORE18V...
Perangkat pengisian daya yang direkomendasikan		GAL 18... GAX 18... GAL 36...	GAL 18... GAX 18... GAL 36...

A) tergantung pada baterai yang digunakan

B) daya terbatas pada suhu <0 °C

Cara memasang

- ▶ **Sebelum melakukan semua pekerjaan pada perkakas listrik (misalnya merawat, mengganti alat kerja, dsb.) serta selama transpor dan penyimpanan, keluarkanlah baterai dari perkakas listrik.** Terdapat risiko cedera apabila tombol untuk menghidupkan dan mematikan dioperasikan tanpa sengaja.

Mengisi daya baterai

- ▶ **Hanya gunakan pengisi daya yang tercantum pada data teknis.** Hanya pengisi daya ini yang sesuai dengan baterai Li-ion yang digunakan pada perkakas listrik Anda.

Catatan: Baterai dikirim dalam keadaan terisi sebagian. Untuk memastikan kinerja penuh baterai, isi penuh daya baterai ke pengisi daya sebelum menggunakannya untuk pertama kali.

Daya baterai li-ion dapat diisi setiap saat tanpa mengurangi masa pakainya. Penghentian proses pengisian daya tidak merusak baterai.

Baterai li-ion terlindung dari pengosongan daya total dengan "Electronic Cell Protection (ECP)". Jika baterai habis, perkakas listrik dimatikan oleh pengaman: Alat sisipan berhenti beroperasi.

- ▶ **Jangan menekan kembali tombol on/off jika perkakas listrik mati secara otomatis.** Baterai dapat rusak.

Perhatikan petunjuk untuk membuang.

Mengeluarkan baterai

Baterai (7) memiliki dua sistem pengunci untuk mencegah baterai jatuh jika tombol pelepas baterai (8) ditekan secara tidak sengaja. Selama baterai berada di dalam perkakas listrik, baterai ditahan dalamudukannya dengan pegas.

Untuk melepaskan baterai (7) tekan tombol pelepas (8) dan tarik baterai dari perkakas listrik. **Jangan melepas baterai dengan paksa.**

Indikator level pengisian daya baterai

LED berwarna hijau pada indikator level pengisian daya baterai (16) menampilkan level pengisian daya baterai (7). Atas dasar keselamatan, permintaan level pengisian daya baterai hanya dapat dilakukan saat perkakas listrik dalam keadaan berhenti.

Tekan tombol indikator level pengisian daya baterai (15) untuk menampilkan level pengisian daya baterai. Hal ini juga dapat dilakukan saat baterai dilepas.

Jika lampu LED tidak menyala setelah tombol indikator level pengisian daya baterai (15) ditekan, terdapat kerusakan pada baterai dan baterai harus diganti.

Tipe baterai GBA 18V... (lihat gambar D1)

LED	Kapasitas
Lampu permanen 3 × hijau	60–100%
Lampu permanen 2 × hijau	30–60%
Lampu permanen 1 × hijau	5–30%
Lampu berkedip 3 × hijau	0–5%

Tipe baterai ProCORE18V... (lihat gambar D2)

LED	Kapasitas
Lampu permanen 5 × hijau	80–100 %
Lampu permanen 4 × hijau	60–80 %
Lampu permanen 3 × hijau	40–60 %
Lampu permanen 2 × hijau	20–40 %
Lampu permanen 1 × hijau	5–20 %
Lampu berkedip 1 × hijau	0–5 %

Mengganti alat kerja (lihat gambar A)

- ▶ **Sebelum melakukan semua pekerjaan pada perkakas listrik (misalnya merawat, mengganti alat kerja, dsb.) serta selama transpor dan penyimpanan, keluarkanlah baterai dari perkakas listrik.** Terdapat risiko cedera apabila tombol untuk menghidupkan dan mematikan dioperasikan tanpa sengaja.

Buka keyless chuck (2) dengan diputar sesuai arah panah ① hingga alat sisipan dapat dipasang. Pasang alat.

Putar selongsong keyless chuck (2) ke arah putaran ② dengan kuat menggunakan tangan. Chuck bor terkunci secara otomatis.

Ekstraksi debu/serbuk

Debu dari bahan-bahan seperti cat yang mengandung timbel (timah hitam), beberapa jenis kayu, bahan mineral dan logam dapat berbahaya bagi kesehatan. Menyentuh atau menghirup debu-debu ini dapat mengakibatkan reaksi alergi dan/atau penyakit saluran pernapasan pada pengguna atau orang yang berada di dekatnya.

Beberapa debu tertentu seperti debu kayu pohon quercus atau pohon fagus silvatica dianggap dapat mengakibatkan penyakit kanker, terutama dalam campuran dengan bahan-bahan tambahan untuk pengolahan kayu (kromat, obat pengawet kayu). Bahan-bahan yang mengandung asbes hanya boleh dikerjakan oleh orang-orang yang ahli.

- Perhatikanlah supaya ada pertukaran udara yang baik di tempat kerja.
- Kami anjurkan Anda memakai masker anti debu dengan filter kelas P2.

Taatilah peraturan-peraturan untuk bahan-bahan yang dikerjakan yang berlaku di negara Anda.

▶ **Hindari debu yang banyak terkumpul di tempat kerja.**

Debu dapat tersulut dengan mudah.

Penggunaan

Cara penggunaan

Memasang baterai

Catatan: Menggunakan baterai yang tidak sesuai untuk perkakas listrik dapat menyebabkan kegagalan fungsi atau kerusakan pada perkakas listrik.

Posisikan switch pengubah arah (10) ke tengah untuk mencegah pengaktifan tiba-tiba. Pasang baterai yang sudah terisi (7) ke dalam gagang perkakas hingga terkunci dan terpasang rata pada gagang.

Mengatur arah putaran (lihat gambar B)

Arah putaran perkakas listrik dapat diubah dengan switch pengubah arah (10). Hal tersebut tidak dapat dilakukan jika tombol on/off (11) ditekan.

Searah jarum jam: Untuk mengebor dan menyekrup, tekan switch arah putaran (10) ke kiri hingga maksimal.

Berlawanan arah jarum jam: Untuk mengendurkan atau melepas sekrup dan mur, tekan switch pengubah arah (10) ke kanan hingga maksimal.

Mengatur mode pengoperasian



Pengeboran

GSR:

Atur ring untuk penyetelan awal torsi (3) pada torsi yang diinginkan.

GSB:

Atur switch selektor mode pengoperasian (4) pada simbol "Pengeboran".



Penyekrupan

GSR:

Atur ring untuk penyetelan awal torsi (3) pada simbol "Penyekrupan".

GSB:

Atur switch selektor mode pengoperasian (4) pada simbol "Penyekrupan".



Pengeboran impact (GSB)

Atur switch selektor mode pengoperasian (4) pada simbol "Pengeboran impact".

Mengaktifkan/menonaktifkan

Untuk **menggunakan pertama kali** perkakas listrik, tekan dan tahan tombol on/off **(11)**.

LED **(9)** akan menyala saat tombol on/off **(11)** ditekan singkat atau ditekan kuat dan dapat membantu menerangi area kerja saat kondisi cahaya buruk.

Untuk **menonaktifkan** perkakas listrik, lepaskan tombol on/off **(11)**.

Menyetel kecepatan

Kecepatan perkakas listrik yang diaktifkan dapat disetel terus-menerus tergantung seberapa kuat tombol on/off **(11)** ditekan.

Jika tombol on/off **(11)** ditekan singkat dan tidak terlalu kuat, kecepatan putaran akan menjadi rendah. Tekanan yang lebih besar mengakibatkan kecepatan putaran yang lebih tinggi.

Penyetelan awal torsi

Dengan menggunakan ring untuk penyetelan awal torsi **(3)**, torsi yang diperlukan dapat dipilih terlebih dahulu dalam 20 level. Alat sisipan segera berhenti begitu torsi yang telah diatur tercapai.

Memilih tingkat putaran secara mekanis

- ▶ **Selektor untuk memilih tingkatan putaran (5) dapat diaktifkan pada kondisi diam atau saat perkakas listrik sedang beroperasi. Meskipun demikian, hal tersebut sebaiknya tidak dilakukan saat perkakas listrik sedang beroperasi dalam beban penuh atau kecepatan putaran maksimal.**

Tingkat putaran I:

Rentang kecepatan putaran rendah; untuk pengerjaan dengan diameter mata bor yang besar atau penyekrupan.

Tingkat putaran II:

Rentang kecepatan putaran tinggi; untuk pengerjaan dengan diameter mata bor yang kecil.

Perlindungan kelebihan beban yang bergantung suhu

Jika perkakas listrik digunakan sebagaimana mestinya, perkakas listrik tidak akan mengalami kelebihan beban. Perkakas listrik akan mati dan LED pada perkakas listrik akan berkedip apabila beban kerja terlalu besar atau suhu baterai keluar dari rentang suhu baterai yang diperbolehkan. Biarkan perkakas listrik menjadi dingin terlebih dahulu sebelum digunakan kembali.

Perlindungan terhadap pengosongan daya total

Baterai li-ion terlindung dari pengosongan daya total dengan "Electronic Cell Protection (ECP)". Jika baterai habis, perkakas listrik dimatikan oleh pengaman: Alat sisipan berhenti beroperasi.

Penonaktifan cepat (Kickback Control)



Penonaktifan cepat (Kickback Control) menawarkan kendali yang lebih baik pada perkakas listrik dan meningkatkan perlindungan terhadap pengguna dibandingkan dengan perkakas listrik yang tidak dilengkapi Kickback Control. Perkakas listrik akan mati

jika perkakas listrik berputar pada poros perkakas secara mendadak dan tak terduga.

Penonaktifan cepat ini akan ditunjukkan melalui berkedipnya LED pada perkakas listrik.

Untuk **mengoperasikan kembali** perkakas listrik, lepaskan tombol on/off dan kemudian tekan kembali.

- ▶ **Jika fungsi Kickback Control mengalami kerusakan, perkakas listrik tidak lagi dapat dihidupkan. Hanya lakukan perbaikan perkakas listrik oleh teknisi ahli resmi dan hanya gunakan suku cadang asli.**

Petunjuk pengoperasian

- ▶ **Geser switch selektor tingkat putaran atau selalu putar switch selektor mode pengoperasian hingga maksimal.** Jika tidak, perkakas listrik dapat menjadi rusak.
- ▶ **Pasang perkakas listrik pada mur/sekrup hanya saat dalam keadaan mati.** Alat sisipan yang berputar dapat tergelincir.
Gunakan alat bantu untuk melepas mata obeng atau dudukan bit universal.
- ▶ **Pemakaian di area yang sangat berdebu dapat menyebabkan gangguan pada perkakas listrik. Jika perkakas listrik tiba-tiba gagal beroperasi, keluarkan dan periksa carbon brush (lihat bab "Mengganti carbon brush").**

Perawatan dan servis

Perawatan dan pembersihan

- ▶ **Sebelum melakukan semua pekerjaan pada perkakas listrik (misalnya merawat, mengganti alat kerja, dsb.) serta selama transpor dan penyimpanan, keluarkanlah baterai dari perkakas listrik.** Terdapat risiko cedera apabila tombol untuk menghidupkan dan mematikan dioperasikan tanpa sengaja.
- ▶ **Perkakas listrik dan lubang ventilasi harus selalu dibersihkan agar perkakas dapat digunakan dengan baik dan aman.**

Mengganti carbon brush (lihat gambar C)

Periksalah panjang carbon brush sekitar 2–3 bulan sekali, dan jika perlu, ganti kedua carbon brush.

Jangan pernah mengganti hanya satu carbon brush!

Catatan: Hanya gunakan carbon brush yang disediakan oleh Bosch yang cocok untuk produk Anda.

- Buka kap pelindung **(6)** dengan obeng yang sesuai.
- Ganti carbon brush **(14)** yang berada di bawah tekanan pegas dan pasang kembali kap pelindung.

Jika baterai tidak berfungsi lagi, hubungi layanan pelanggan untuk perkakas listrik Bosch yang resmi.

Layanan pelanggan dan konsultasi penggunaan

Layanan pelanggan Bosch menjawab semua pertanyaan Anda tentang reparasi dan perawatan serta tentang suku cadang produk ini. Gambaran teknis (exploded view) dan

informasi mengenai suku cadang dapat ditemukan di:

www.bosch-pt.com

Tim konsultasi penggunaan Bosch akan membantu Anda menjawab pertanyaan seputar produk kami beserta aksesorinya.

Jika Anda hendak menanyakan sesuatu atau memesan suku cadang, selalu sebutkan nomor model yang terdiri dari 10 angka dan tercantum pada label tipe produk.

Indonesia

PT Robert Bosch
Palma Tower 10th Floor
Jalan RA Kartini II-S Kaveling 6
Pondok Pinang, Kebayoran Lama
Jakarta Selatan 12310
Tel.: (021) 3005 5800
Fax: (021) 3005 5801
E-Mail: boschpowertools@id.bosch.com
www.bosch-pt.co.id

Transpor

Pada baterai-baterai li-ion yang digunakan diterapkan persyaratan terkait peraturan-peraturan tentang bahan-bahan yang berbahaya. Baterai-baterai dapat diangkut oleh penggunanya tanpa pembatasan lebih lanjut di jalan.

Pada pengiriman oleh pihak ketiga (misalnya transportasi udara atau perusahaan ekspedisi) harus ditaati syarat-syarat terkait kemasan dan pemberian tanda. Dalam hal ini, diperlukan konsultasi dengan ahli bahan-bahan berbahaya saat mengatur barang pengiriman.

Kirimkan baterai hanya jika housing-nya tidak rusak. Tutup bagian-bagian yang terbuka dan kemas baterai agar tidak bergerak-gerak di dalam kemasan. Taatilah peraturan-peraturan nasional lainnya yang mungkin lebih rinci yang berlaku di negara Anda.

Cara membuang



Perkakas listrik, baterai, aksesoris dan kemasan harus didaur ulang dengan cara yang ramah lingkungan.



Jangan membuang perkakas listrik, aki/baterai ke dalam sampah rumah tangga!

Baterai:

Li-ion:

Perhatikanlah petunjuk-petunjuk dalam bab Transpor (lihat „Transpor“, Halaman 64).

Tiếng Việt

Hướng dẫn an toàn

Hướng dẫn an toàn chung cho dụng cụ điện

⚠ CẢNH BÁO Hãy đọc toàn bộ các cảnh báo an toàn, hướng dẫn, hình ảnh và thông số kỹ thuật được cung cấp cho dụng cụ điện cầm tay này. Không tuân thủ mọi hướng dẫn được liệt kê dưới đây có thể bị điện giật, gây cháy và /hay bị thương tật nghiêm trọng. **Hãy giữ tất cả tài liệu về cảnh báo và hướng dẫn để tham khảo về sau.**

Thuật ngữ "dụng cụ điện cầm tay" trong phần cảnh báo là đề cập đến sự sử dụng dụng cụ điện cầm tay của bạn, loại sử dụng điện nguồn (có dây cắm điện) hay vận hành bằng pin (không dây cắm điện).

Khu vực làm việc an toàn

- ▶ **Giữ nơi làm việc sạch và đủ ánh sáng.** Nơi làm việc bừa bộn và tối tăm dễ gây ra tai nạn.
- ▶ **Không vận hành dụng cụ điện cầm tay trong môi trường dễ gây nổ, chẳng hạn như nơi có chất lỏng dễ cháy, khí đốt hay rác.** Dụng cụ điện cầm tay tạo ra các tia lửa nên có thể làm rác bén cháy hay bốc khói.
- ▶ **Không để trẻ em hay người đến xem đứng gần khi vận hành dụng cụ điện cầm tay.** Sự phân tâm có thể gây ra sự mất điều khiển.

An toàn về điện

- ▶ **Phích cắm của dụng cụ điện cầm tay phải thích hợp với ổ cắm.** Không bao giờ được cài biến lại phích cắm dưới mọi hình thức. Không được sử dụng phích tiếp hợp nối tiếp đất (dây mát). Phích cắm nguyên bản và ổ cắm đúng loại sẽ làm giảm nguy cơ bị điện giật.
- ▶ **Tránh không để thân thể tiếp xúc với đất hay các vật có bề mặt tiếp đất như đường ống, lò sưởi, hàng rào và tủ lạnh.** Có nhiều nguy cơ bị điện giật hơn nếu cơ thể bạn bị tiếp hay nối đất.
- ▶ **Không được để dụng cụ điện cầm tay ngoài mưa hay ở tình trạng ẩm ướt.** Nước vào máy sẽ làm tăng nguy cơ bị điện giật.
- ▶ **Không được lạm dụng dây dẫn điện.** Không bao giờ được nắm dây dẫn để xách, kéo hay rút phích cắm dụng cụ điện cầm tay. Không để dây gần nơi có nhiệt độ cao, dầu nhớt, vật nhọn bén và bộ phận chuyển động. Làm hỏng hay cuộn rối dây dẫn làm tăng nguy cơ bị điện giật.
- ▶ **Khi sử dụng dụng cụ điện cầm tay ngoài trời, dùng dây nối thích hợp cho việc sử dụng ngoài trời.** Sử dụng dây nối thích hợp cho việc sử dụng ngoài trời làm giảm nguy cơ bị điện giật.

- ▶ **Nếu việc sử dụng dụng cụ điện cầm tay ở nơi ẩm ướt là không thể tránh được, dùng thiết bị ngắt mạch tự động (RCD) bảo vệ nguồn.** Sử dụng thiết bị ngắt mạch tự động RCD làm giảm nguy cơ bị điện giật.

An toàn cá nhân

- ▶ **Hãy tỉnh táo, biết rõ mình đang làm gì và hãy sử dụng ý thức khi vận hành dụng cụ điện cầm tay.** Không sử dụng dụng cụ điện cầm tay khi đang mệt mỏi hay đang bị tác động do chất gây nghiện, rượu hay dược phẩm gây ra. Một thoáng mất tập trung khi đang vận hành dụng cụ điện cầm tay có thể gây thương tích nghiêm trọng cho bản thân.
- ▶ **Sử dụng trang bị bảo hộ cá nhân.** Luôn luôn đeo kính bảo vệ mắt. Trang bị bảo hộ như khẩu trang, giày chống trượt, nón bảo hộ, hay dụng cụ bảo vệ tai khi được sử dụng đúng nơi đúng chỗ sẽ làm giảm nguy cơ thương tật cho bản thân.
- ▶ **Phòng tránh máy khởi động bất ngờ.** Bảo đảm công tắc máy ở vị trí tắt trước khi cắm vào nguồn điện và/hay lắp pin vào, khi nhắc máy lên hay khi mang xách máy. Ngáng ngón tay vào công tắc máy để xách hay kích hoạt dụng cụ điện cầm tay khi công tắc ở vị trí mở dễ dẫn đến tai nạn.
- ▶ **Lấy mọi chìa hay khóa điều chỉnh ra trước khi mở điện dụng cụ điện cầm tay.** Khóa hay chìa còn gắn dính vào bộ phận quay của dụng cụ điện cầm tay có thể gây thương tích cho bản thân.
- ▶ **Không rướn người.** Luôn luôn giữ tư thế đứng thích hợp và thẳng bằng. Điều này tạo cho việc điều khiển dụng cụ điện cầm tay tốt hơn trong mọi tình huống bất ngờ.
- ▶ **Trang phục thích hợp.** Không mặc quần áo rộng lủng thùng hay mang trang sức. Giữ tóc và quần áo xa khỏi các bộ phận chuyển động. Quần áo rộng lủng thùng, đồ trang sức hay tóc dài có thể bị cuốn vào các bộ phận chuyển động.
- ▶ **Nếu có các thiết bị đi kèm để nối máy hút bụi và các phụ kiện khác, bảo đảm các thiết bị này được nối và sử dụng tốt.** Việc sử dụng các thiết bị gom hút bụi có thể làm giảm các độc hại liên quan đến bụi gây ra.
- ▶ **Không để thói quen do sử dụng thường xuyên dụng cụ khiến bạn trở nên chủ quan và bỏ qua các quy định an toàn dụng cụ.** Một hành vi bất cẩn có thể gây ra thương tích nghiêm trọng chỉ trong tích tắc.

Sử dụng và bảo dưỡng dụng cụ điện cầm tay

- ▶ **Không được ép máy.** Sử dụng dụng cụ điện cầm tay đúng loại theo đúng ứng dụng của bạn. Dụng cụ điện cầm tay đúng chức năng sẽ

làm việc tốt và an toàn hơn theo đúng tiến độ mà máy được thiết kế.

- ▶ **Không sử dụng dụng cụ điện cầm tay nếu như công tắc không tắt và mở được.** Bất kỳ dụng cụ điện cầm tay nào mà không thể điều khiển được bằng công tắc là nguy hiểm và phải được sửa chữa.
 - ▶ **Rút phích cắm ra khỏi nguồn điện và/hay pin ra khỏi dụng cụ điện cầm tay nếu có thể tháo được, trước khi tiến hành bất kỳ điều chỉnh nào, thay phụ kiện, hay cất dụng cụ điện cầm tay.** Các biện pháp ngăn ngừa như vậy làm giảm nguy cơ dụng cụ điện cầm tay khởi động bất ngờ.
 - ▶ **Cất giữ dụng cụ điện cầm tay không dùng tới nơi trẻ em không lấy được và không cho người chưa từng biết dụng cụ điện cầm tay hay các hướng dẫn này sử dụng dụng cụ điện cầm tay.** Dụng cụ điện cầm tay nguy hiểm khi ở trong tay người chưa được chỉ cách sử dụng.
 - ▶ **Bảo quản dụng cụ điện cầm tay và các phụ kiện.** Kiểm tra xem các bộ phận chuyển động có bị sai lệch hay kẹt, các bộ phận bị rạn nứt và các tình trạng khác có thể ảnh hưởng đến sự vận hành của máy. Nếu bị hư hỏng, phải sửa chữa máy trước khi sử dụng. Nhiều tai nạn xảy ra do bảo quản dụng cụ điện cầm tay tồi.
 - ▶ **Giữ các dụng cụ cắt bén và sạch.** Bảo quản đúng cách các dụng cụ cắt có cạnh cắt bén làm giảm khả năng bị kẹt và dễ điều khiển hơn.
 - ▶ **Sử dụng dụng cụ điện cầm tay, phụ kiện, đầu cài v. v., đúng theo các chỉ dẫn này, hãy lưu ý đến điều kiện làm việc và công việc phải thực hiện.** Sự sử dụng dụng cụ điện cầm tay khác với mục đích thiết kế có thể tạo nên tình huống nguy hiểm.
 - ▶ **Giữ tay cầm và bề mặt nắm luôn khô ráo, sạch sẽ và không dính dầu mỡ.** Tay cầm và bề mặt nắm trơn trượt không đem lại thao tác an toàn và kiểm soát dụng cụ trong các tình huống bất ngờ.
- #### Sử dụng và bảo quản dụng cụ dùng pin
- ▶ **Chỉ được sạc pin lại với bộ nạp điện do nhà sản xuất chỉ định.** Bộ nạp điện thích hợp cho một loại pin có thể gây nguy cơ cháy khi sử dụng cho một loại pin khác.
 - ▶ **Chỉ sử dụng dụng cụ điện cầm tay với loại pin được thiết kế đặc biệt dành riêng cho máy.** Sử dụng bất cứ loại pin khác có thể dẫn đến thương tật hay cháy.
 - ▶ **Khi không sử dụng pin, để cách xa các vật bằng kim loại như kẹp giấy, tiền xu, chìa khóa, đinh, ốc vít hay các đồ vật kim loại nhỏ khác, thứ có thể tạo sự nối tiếp từ một đầu**

cực với một đầu cực khác. Sự chập mạch của các đầu cực với nhau có thể gây bỏng hay cháy.

- ▶ **Bảo quản ở tình trạng tối, dung dịch từ pin có thể tủa ra; tránh tiếp xúc.** Nếu vỏ tình chạm phải, hãy xối nước để rửa. Nếu dung dịch vào mắt, cần thêm sự hỗ trợ của y tế. Dung dịch tiết ra từ pin có thể gây ngứa hay bỏng.
- ▶ **Không được sử dụng bộ pin hoặc dụng cụ đã bị hư hại hoặc bị thay đổi.** Pin hỏng hoặc bị thay đổi có thể gây ra những tác động không lường trước được như cháy nổ hoặc nguy cơ thương tích.
- ▶ **Không đặt bộ pin hoặc dụng cụ ở gần lửa hoặc nơi quá nhiệt.** Tiếp xúc với lửa hoặc nhiệt độ cao trên 130°C có thể gây nổ.
- ▶ **Tuân thủ tất cả các hướng dẫn nạp và không nạp bộ pin hay dụng cụ ở bên ngoài phạm vi nhiệt độ đã được quy định trong các hướng dẫn.** Nạp không đúng cách hoặc ở nhiệt độ ngoài phạm vi nạp đã quy định có thể làm hư hại pin và gia tăng nguy cơ cháy.

Bảo dưỡng

- ▶ **Đưa dụng cụ điện cầm tay của bạn đến thợ chuyên môn để bảo dưỡng, chỉ sử dụng phụ tùng đúng chủng loại để thay.** Điều này sẽ đảm bảo sự an toàn của máy được giữ nguyên.
- ▶ **Không bao giờ sửa chữa các bộ pin đã hư hại.** Chỉ cho phép nhà sản xuất hoặc các nhà cung cấp dịch vụ có ủy quyền thực hiện dịch vụ sửa chữa cho các bộ pin.

Cảnh Báo An Toàn cho Máy Khoan và Bất Vít

Hướng dẫn an toàn cho mọi hoạt động

- ▶ **Đeo bảo vệ tai khi khoan động lực.** Tiếp xúc với tiếng ồn có thể làm mất khả năng nghe.
- ▶ **Chỉ cầm dụng cụ điện tại các bề mặt cầm nắm có cách điện, khi thực hiện một thao tác tại vị trí mà phụ kiện cắt hoặc dụng cụ kẹp có thể tiếp xúc với dây điện ngầm.** Phụ kiện cắt hoặc dụng cụ kẹp tiếp xúc với dây "có điện" có thể làm cho các phần kim loại hở của dụng cụ điện cầm tay "có điện" và có thể gây ra điện giật cho người vận hành.

Hướng dẫn an toàn khi sử dụng các mũi khoan dài

- ▶ **Không vận hành ở tốc độ cao hơn tốc độ tối đa cho phép của mũi khoan.** Ở tốc độ cao hơn, mũi khoan có thể bị cong nếu cho phép xoay tự do mà không cho tiếp xúc với phôi gia công, dẫn đến thương tích cho người.
- ▶ **Luôn khởi động khoan ở tốc độ thấp và với đầu mũi khoan tiếp xúc với phôi gia công.** Ở tốc độ cao hơn, mũi khoan có thể bị cong nếu cho phép xoay tự do mà không cho tiếp xúc với phôi gia công, dẫn đến thương tích cho người.

- ▶ **Chỉ dùng áp lực vào đường trực tiếp bằng mũi khoan và không dùng áp lực dư.** Các mũi khoan có thể cong, gây ngắt hoặc mất kiểm soát, dẫn đến thương tích cho người.

Các cảnh báo phụ thêm

- ▶ **Giữ chặt dụng cụ điện.** Khi siết chặt và nới lỏng các vít, những mô-men phản ứng cao có thể xuất hiện trong thời gian ngắn.
- ▶ **Kẹp chặt vật gia công.** Vật gia công được kẹp bằng một thiết bị kẹp hay bằng ê-tô thì vững chắc hơn giữ bằng tay.
- ▶ **Dùng thiết bị dò tìm thích hợp để xác định nếu có các công trình công cộng lắp đặt ngầm trong khu vực làm việc hay liên hệ với Cty công trình công cộng địa phương để nhờ hỗ trợ.** Đụng chạm đường dẫn điện có thể gây ra hỏa hoạn và điện giật. Làm hư hại đường dẫn khí ga có thể gây nổ. Làm thủng ống dẫn nước có thể làm hư hại tài sản hay có thể gây ra điện giật.
- ▶ **Luôn luôn đợi cho máy hoàn toàn ngừng hẳn trước khi đặt xuống.** Dụng cụ lắp vào máy có thể bị kẹp chặt dẫn đến việc dụng cụ điện cầm tay bị mất điều khiển.
- ▶ **Trong trường hợp pin bị hỏng hay sử dụng sai cách, hơi nước có thể bốc ra. Pin có thể cháy hoặc nổ.** Hãy làm cho thông thoáng khí và trong trường hợp bị đau phải nhờ y tế chữa trị. Hơi nước có thể gây ngứa hệ hô hấp.
- ▶ **Không được tháo pin ra.** Nguy cơ bị chập mạch.
- ▶ **Pin có thể bị hư hại bởi các vật dụng nhọn như đinh hay tuốc-nơ-vít hoặc bởi các tác động lực từ bên ngoài.** Nó có thể dẫn tới đoản mạch nội bộ và làm pin bị cháy, bốc khói, phát nổ hoặc quá nóng.
- ▶ **Chỉ sử dụng pin trong các sản phẩm của nhà sản xuất.** Chỉ bằng cách này, pin sẽ được bảo vệ tránh nguy cơ quá tải.



Bảo vệ pin không để bị làm nóng, ví dụ, chống để lâu dài dưới ánh nắng gay gắt, lửa, chất bẩn, nước, và sự ẩm ướt. Có nguy cơ nổ và chập mạch.

- ▶ **Tắt dụng cụ điện ngay nếu phụ tùng bị chặn.** Hãy chuẩn bị cho những mô-men phản ứng cao, mà gây ra sự dội ngược. Phụ tùng bị chặn, nếu dụng cụ điện bị quá tải hoặc bị kẹt trong phôi gia công cần gia công.

Mô Tả Sản Phẩm và Đặc Tính Kỹ Thuật



Đọc kỹ mọi cảnh báo an toàn và mọi hướng dẫn. Không tuân thủ mọi cảnh báo và hướng dẫn được liệt kê dưới đây

có thể bị điện giật, gây cháy và / hay bị thương tật nghiêm trọng.

Xin lưu ý các hình minh họa trong phần trước của hướng dẫn vận hành.

Sử dụng đúng cách

Máy được cung cấp dành cho mục đích cố định và tháo các vít và đế khoan trên các chất liệu gỗ, kim loại, gốm và nhựa. Ngoài ra, GSB còn phù hợp với khoan xung động ngói, bê tông và đá.

Các bộ phận được minh họa

Sự đánh số các biểu trưng của sản phẩm là để tham khảo hình minh họa của máy trên trang hình ảnh.

- (1) Phần lắp dụng cụ
- (2) Đầu cặp mũi khoan không chia
- (3) Vòng điều chỉnh chọn trước mô-men xoắn

- (4) Công tắc chọn chế độ vận hành (GSB)
- (5) Công tắc chọn số
- (6) Nắp dây
- (7) Pin
- (8) Nút tháo pin
- (9) Đèn làm việc
- (10) Gạc vận chuyển đổi chiều quay
- (11) Công tắc bật/tắt
- (12) Tay nắm (bề mặt nắm cách điện)
- (13) Ống cặp mũi khoan vạn năng^{A)}
- (14) Chổi than
- (15) Nút hiển thị mức sạc
- (16) Đèn báo trạng thái nạp pin

A) Phụ tùng được trình bày hay mô tả không phải là một phần của tiêu chuẩn hàng hóa được giao kèm theo sản phẩm. Bạn có thể tham khảo tổng thể các loại phụ tùng, phụ kiện trong chương trình phụ tùng của chúng tôi.

Thông số kỹ thuật

Máy bắt vít pin		GSR 180-LI	GSB 180-LI
Mã số máy		3 601 JF8 1..	3 601 JF8 3..
Điện thế danh định	V=	18	18
Tốc độ không tải			
– Số 1	min ⁻¹	0–500	0–500
– Số 2	min ⁻¹	0–1900	0–1900
Tần suất đập	min ⁻¹	–	0–27 000
lực xoắn tối đa, ứng dụng cho việc bắt vít vào vật mềm/cứng dựa theo tiêu chuẩn ISO 5393 ^{A)}	Nm	54/21	54/21
Ø lỗ khoan tối đa (Số 1 và số 2)			
– Gỗ	mm	35	35
– Thép	mm	10	10
– Công trình xây gạch	mm	–	10
Phần lắp dụng cụ		1,5–13	1,5–13
Ø vít máy tối đa	mm	10	10
Trọng lượng theo EPTA-Procedure 01:2014 ^{A)}	kg	1,6–2,6	1,7–2,7
Nhiệt độ môi trường được khuyến nghị khi sạc	°C	0 ... +35	0 ... +35
Nhiệt độ môi trường cho phép trong quá trình vận hành ^{B)} và trong quá trình lưu trữ	°C	-20 ... +50	-20 ... +50
Pin được khuyến dùng		GBA 18V... ProCORE18V...	GBA 18V... ProCORE18V...

Máy bắt vít pin	GSR 180-LI	GSB 180-LI
Thiết bị nạp được giới thiệu	GAL 18... GAX 18... GAL 36...	GAL 18... GAX 18... GAL 36...

A) tùy vào loại pin lồi đang sử dụng

B) hiệu suất giới hạn ở nhiệt độ <0 °C

Sự lắp vào

- **Trước khi tiến hành bất cứ công việc gì với máy (ví dụ bảo dưỡng, thay dụng cụ v.v.) cũng như khi vận chuyển hay lưu kho, tháo pin ra khỏi dụng cụ điện.** Có nguy cơ gây thương tích khi vô tình làm kích hoạt công tắc Tắt/Mở.

Tháo Pin

- **Chỉ sử dụng bộ sạc được đề cập trong dữ liệu kỹ thuật.** Chỉ những bộ sạc này phù hợp cho dụng cụ điện cầm tay của bạn có sử dụng pin Li-Ion.

Hướng dẫn: Pin đã được sạc một phần. Để bảo đảm đầy đủ điện dung, nạp điện hoàn toàn lại cho pin trong bộ nạp điện pin trước khi sử dụng cho lần đầu tiên.

Pin Li-Ion hợp khối có thể nạp điện bất cứ lúc nào mà không làm giảm tuổi thọ của pin. Sự gián đoạn trong quá trình nạp điện không làm hư hại pin hợp khối.

Pin Li-Ion được bảo vệ ngăn sự phóng điện quá lớn nhờ vào "Electronic Cell Protection (ECP)". Nếu pin bị phóng điện, dụng cụ điện cầm tay sẽ được ngắt bởi một mạch bảo vệ: Dụng cụ điện không chuyển động nữa.

- **Có nguy cơ gây thương tích khi vô tình làm kích hoạt công tắc Tắt/Mở.** Pin có thể bị hỏng.

Quy trình hoạt động được chia ra làm hai giai đoạn.

Tháo pin ra

Pin (7) có hai mức khóa, có nhiệm vụ ngăn ngừa pin bị rơi ra do vô ý bấm phải nút tháo pin (8). Cứ khi nào pin còn được lắp trong dụng cụ điện, nó vẫn được giữ nguyên vị trí nhờ vào một lò xo. Để tháo pin (7) bạn hãy ấn nút mở (8) và đẩy pin ra khỏi dụng cụ điện cầm tay. **Không dùng sức.**

Đèn báo trạng thái nạp pin

Các đèn LED màu xanh của màn hình hiển thị tình trạng sạc pin (16) chỉ ra tình trạng sạc của pin (7). Vì lý do an toàn, ta chỉ có thể kiểm tra trạng thái của tình trạng nạp điện khi máy đã ngừng hoạt động hoàn toàn.

Bấm vào nút hiển thị mức sạc (15), để hiển thị tình trạng sạc pin. Điều này cũng có thể thực hiện khi sạc quy được tháo ra.

Đèn LED không sáng sau khi nhấn nút hiển thị mức sạc (15) có nghĩa là pin bị hỏng và phải được thay thế.

Kiểu pin GBA 18V... (xem hình D1)

Đèn LED	Điện dung
Đèn sáng liên tục 3× xanh lục	60–100 %
Đèn sáng liên tục 2× xanh lục	30–60 %
Đèn sáng liên tục 1× xanh lục	5–30 %
Đèn xi nhan 3× xanh lục	0–5 %

Kiểu pin ProCORE18V... (xem hình D2)

Đèn LED	Điện dung
Đèn sáng liên tục 5× xanh lục	80–100 %
Đèn sáng liên tục 4× xanh lục	60–80 %
Đèn sáng liên tục 3× xanh lục	40–60 %
Đèn sáng liên tục 2× xanh lục	20–40 %
Đèn sáng liên tục 1× xanh lục	5–20 %
Đèn xi nhan 1× xanh lục	0–5 %

Thay Dụng Cụ (xem Hình A)

- **Trước khi tiến hành bất cứ công việc gì với máy (ví dụ bảo dưỡng, thay dụng cụ v.v.) cũng như khi vận chuyển hay lưu kho, tháo pin ra khỏi dụng cụ điện.** Có nguy cơ gây thương tích khi vô tình làm kích hoạt công tắc Tắt/Mở.

Hãy mở mâm cặp mũi khoan tự động (2) bằng cách xoay theo hướng ①, cho đến khi có thể lắp được dụng cụ. Lắp dụng cụ vào.

Hãy xoay bạc lót của đầu cặp mũi khoan không chia (2) vào theo chiều xoay ② của tay thật mạnh. Bằng cách đó, đầu cặp mũi khoan sẽ tự động được khóa.

Hút Dầm/Bụi

Mạt bụi từ các vật liệu được sơn phủ ngoài có chứa chì trên một số loại gỗ, khoáng vật và kim loại có thể gây nguy hại đến sức khỏe con người. Đụng chạm hay hít thở các bụi này có thể làm người sử dụng hay đứng gần bị dị ứng và/hoặc gây nhiễm trùng hệ hô hấp.

Một số hạt bụi cụ thể, ví dụ như bụi gỗ sồi hay dâu, được xem là chất gây ung thư, đặc biệt là có liên quan đến các chất phụ gia dùng xử lý gỗ (chất cromat, chất bảo quản gỗ). Có thể chỉ nên để thợ

chuyên môn gia công các loại vật liệu có chứa amiăng.

- Tạo không khí thông thoáng nơi làm việc.
- Khuyến nghị nên mang mặt nạ phòng độc có bộ lọc cấp P2.

Tuân thủ các qui định của quốc gia bạn liên quan đến loại vật liệu gia công.

- ▶ **Tránh không để rác tích tụ tại nơi làm việc.**
Rác có thể dễ dàng bắt lửa.

Vận Hành

Bắt Đầu Vận Hành

Tháo Pin

Hướng dẫn: Việc sử dụng pin không phù hợp với dụng cụ điện có thể dẫn đến lỗi chức năng hoặc gây hỏng dụng cụ điện.

Đặt gạc vận chuyển đổi chiều quay (10) vào giữa để tránh vô tình bật. Hãy lắp pin đã sạc (7) vào tay cầm, đến khi nó được gài vào khớp và nằm chính xác trên tay cầm.

Điều chỉnh hướng xoay (xem hình B)

Với gạc vận chuyển đổi chiều quay (10) bạn có thể thay đổi hướng xoay của dụng cụ điện. Tuy nhiên, việc này không thực hiện được khi công tắc Tắt/Mở được nhấn (11).

Quay phải: Để khoan hay bắt vít, đẩy gạc vận chuyển đổi chiều quay (10) sang trái đến cỡ chặn.

Xoay ngược chiều kim đồng hồ: Để nới lỏng hoặc tháo các vít và đai ốc hãy nhấn gạc vận chuyển đổi chiều quay (10) sang bên phải cho tới cỡ chặn.

Điều chỉnh chế độ vận hành



Khoan thường

GSR:

Thiết lập vòng điều chỉnh chọn trước mô-men xoắn (3) thành mức mô-men xoắn mong muốn.

GSB:

Đặt công tắc chọn chế độ hoạt động (4) thành biểu tượng „Khoan“.



Bắt vít

GSR:

Đặt vòng điều chỉnh chọn trước mô-men xoắn (3) lên biểu tượng „Bắt vít“.

GSB:

Đặt công tắc chọn chế độ hoạt động (4) thành biểu tượng „Bắt vít“.



Khoan xung động (GSB)

Đặt công tắc chọn chế độ hoạt động (4) thành biểu tượng „Khoan xung động“.

Bật/tắt

Để **vận hành thử** dụng cụ điện hãy nhấn công tắc Tắt/Mở (11) và nhấn giữ.

Đèn LED (9) bật sáng khi công tắc tắt/mở được nhấn nhẹ hoặc nhấn hết cỡ (11) và cho phép chiếu sáng khu vực làm việc ở các điều kiện chiếu sáng kém.

Để tắt máy, **nhả** công tắc Tắt/Mở (11) ra.

Điều chỉnh tốc độ

Bạn có thể điều tiết liên tục số vòng quay của dụng cụ điện đã bật, tùy vào việc bạn nhấn công tắc Tắt/Mở như thế nào (11).

Nhấn nhẹ trên công tắc Tắt/Mở (11) sẽ kích hoạt số vòng quay thấp. Tăng lực nhấn lên công tắc làm tăng tốc độ quay.

Chỉnh đặc lực xoắn

Với vòng điều chỉnh chọn trước mô-men xoắn (3) bạn có thể chọn trước mô-men xoắn cần thiết ở 2 mức. Nếu đạt tới mô-men xoắn thiết lập, phụ tùng sẽ được dừng lại.

Sự chọn lực Truyền động, Cơ học

- ▶ **Bạn có thể bấm công tắc chọn vòng truyền động (5) khi dụng cụ dừng chạy hoặc khi đang chạy.** Tuy nhiên, việc này không nên thực hiện khi dùng hết công suất hoặc khi chạy tốc độ tối đa.

Số I:

Tầm tốc độ cao hơn; dùng để khoan có đường kính nhỏ.

Số II:

Tầm tốc độ cao hơn; dùng để khoan có đường kính nhỏ.

Bảo vệ chống quá tải dựa trên nhiệt độ

Trong quá trình sử dụng sắp tới, không được để dụng cụ điện bị quá tải. Khi trọng tải quá nặng hoặc vượt qua phạm vi nhiệt độ pin cho phép, dụng cụ điện sẽ tắt và đèn LED ở dụng cụ điện sẽ nhấp nháy. Hãy làm mát dụng cụ điện, trước khi tiếp tục làm việc.

Bảo Vệ Chống Sự Phóng Điện Quá Nhiều

Pin Li-Ion được bảo vệ ngăn sự phóng điện quá lớn nhờ vào "Electronic Cell Protection (ECP)". Nếu pin bị phóng điện, dụng cụ điện cầm tay sẽ được ngắt bởi một mạch bảo vệ: Dụng cụ điện không chuyển động nữa.

Chế độ ngắt nhanh (Kickback Control)



Chế độ ngắt nhanh (Kickback Control) sẽ cung cấp cách kiểm soát dụng cụ điện tốt hơn và qua đó làm tăng mức độ bảo vệ người dùng so với các dụng cụ điện không có

Kickback Control. Ở những vòng quay đột ngột và không thể đoán trước của dụng cụ điện, dụng cụ điện sẽ tắt trực máy khoan.

Chế độ ngắt nhanh được thể hiện qua việc đèn LED của dụng cụ điện nháy.

Để khởi động lại hãy thả nút bật tắt và nhấn lại lần nữa.

- ▶ **Nếu chức năng Kickback Control hỏng, không cho bật dụng cụ điện nữa. Chỉ để người có chuyên môn được đào tạo sửa dụng cụ điện và chỉ dùng các phụ tùng gốc để sửa chữa.**

Hướng Dẫn Sử Dụng

- ▶ **Luôn luôn đưa công tắc chọn số hoặc vận công tắc chọn chế độ vận hành về vị trí dừng.** Nếu không, máy có thể bị làm hỏng.
- ▶ **Chỉ đặt dụng cụ điện đã tắt lên đai ốc/vít.** Dụng cụ đang quay có thể bị tuột ra.

Để tháo chia vận vít hoặc ống cặp mũi khoan thông dụng, được phép dùng một dụng cụ hỗ trợ.

- ▶ **Làm việc trong môi trường xung quanh bụi bặm có thể dẫn đến hỏng dụng cụ điện. Nếu dụng cụ điện đột nhiên hỏng, hãy tháo các chốt than và kiểm tra chúng (xem đoạn „Thay chốt than“).**

Bảo Dưỡng và Bảo Quản

Bảo Dưỡng Và Làm Sạch

- ▶ **Trước khi tiến hành bất cứ công việc gì với máy (ví dụ bảo dưỡng, thay dụng cụ v.v..) cũng như khi vận chuyển hay lưu kho, tháo pin ra khỏi dụng cụ điện.** Có nguy cơ gây thương tích khi vỏ tình làm kích hoạt công tắc Tắt/Mở.
- ▶ **Để được an toàn và máy hoạt động đúng chức năng, luôn luôn giữ máy và các khe thông gió được sạch.**

Thay chốt than (xem Hình C)

Kiểm tra độ dài của chốt than cứ 2–3 tháng một lần, và thay thế cả hai chốt than nếu cần.

Không bao giờ chỉ thay mỗi một chốt than mà thôi!

Lưu ý: Chỉ sử dụng chốt than được cung cấp qua Bosch, phù hợp với sản phẩm của bạn.

- Tháo nắp (6) bằng tuốc-nơ-vít thích hợp.
- Thay chốt than hiện tại (14) dưới áp lực lò xo và bắt vít trở lại cho nắp.

Khi pin không còn hoạt động được nữa, xin liên hệ một đại lý phục vụ hàng sau khi bán dụng cụ điện cầm tay do Bosch ủy nhiệm để được hướng dẫn.

Dịch vụ hỗ trợ khách hàng và tư vấn sử dụng

Bộ phận phục vụ hàng sau khi bán của chúng tôi trả lời các câu hỏi liên quan đến việc bảo dưỡng và sửa chữa các sản phẩm cũng như phụ tùng thay thế của bạn. Sơ đồ mô tả và thông tin về phụ tùng

thay thế cũng có thể tra cứu theo dưới đây:

www.bosch-pt.com

Đội ngũ tư vấn sử dụng của Bosch sẽ giúp bạn giải đáp các thắc mắc về sản phẩm và phụ kiện.

Trong tất cả các phản hồi và đơn đặt phụ tùng, xin vui lòng luôn luôn nhập số hàng hóa 10 chữ số theo nhãn của hàng hóa.

Việt Nam

CN CÔNG TY TNHH BOSCH VIỆT NAM TẠI TP.HCM

Tầng 14, Ngôi Nhà Đức, 33 Lê Duẩn
Phường Bến Nghé, Quận 1, Thành Phố Hồ Chí Minh

Tel.: (028) 6258 3690

Fax: (028) 6258 3692 - 6258 3694

Hotline: (028) 6250 8555

Email: tuvankhachhang-pt@vn.bosch.com

www.bosch-pt.com.vn

www.baohanhbosch-pt.com.vn

Campuchia

Công ty TNHH Robert Bosch (Campuchia)

Đơn nguyên 8BC, GT Tower, Tầng 08, Đường 169,
Tiệp Khắc Blvd, Sangkat Veal Vong,

Khan 7 Makara, Phnom Penh

VAT TIN: 100 169 511

Tel.: +855 23 900 685

Tel.: +855 23 900 660

www.bosch.com.kh

Vận chuyển

Pin có chứa Li-Ion là đối tượng phải tuân theo các qui định của Pháp Luật về Hàng Hóa Nguy Hiểm.

Người sử dụng có thể vận chuyển pin hợp khối bằng đường bộ mà không cần thêm yêu cầu nào khác.

Khi được vận chuyển thông qua bên thứ ba (vd. vận chuyển bằng đường hàng không hay đại lý giao nhận), phải tuân theo các yêu cầu đặc biệt về đóng gói và dán nhãn. Phải tham vấn chuyên gia về hàng hóa nguy hiểm khi chuẩn bị gói hàng.

Chỉ gửi pin hợp khối khi vỏ ngoài không bị hư hỏng. Dán băng keo hay che kín các điểm tiếp xúc hở và đóng gói pin hợp khối theo cách sao cho pin không thể xô dịch khi nằm trong bao bì. Ngoài ra, xin vui lòng chấp hành các qui định chi tiết có thể được bổ sung thêm của quốc gia.

Sự thải bỏ



Dụng cụ điện, pin, phụ kiện và bao bì cần được tái sử dụng theo quy định về môi trường.



Bạn không được ném dụng cụ điện và pin vào thùng rác gia đình!

Pin/ác quy:

Li-Ion:

Tuân thủ những hướng dẫn trong phần vận chuyển
(xem „Vận chuyển“, Trang 70).

مخصص للاستعمال الخارجي من خطر الصدمات الكهربائية.

◀ **إن لم يكن بالإمكان تجنب تشغيل العدة الكهربائية في الأجواء الرطبة، فاستخدم مفتاح للوقاية من التيار المتخلف.** إن استخدام مفتاح للوقاية من التيار المتخلف يقلل خطر الصدمات الكهربائية.

أمان الأشخاص

◀ **كن يقظا وانتبه إلى ما تفعله واستخدم العدة الكهربائية بتعقل.** لا تستخدم عدة كهربائية عندما تكون متعبا أو عندما تكون تحت تأثير المخدرات أو الكحول أو الأدوية. عدم الانتباه للحظة واحدة عند استخدام العدة الكهربائية قد يؤدي إلى إصابات خطيرة.

◀ **قم لارتداء تجهيزات الحماية الشخصية.** وارتد دائما نظارات واقية. يعد ارتداء تجهيزات الحماية الشخصية، كقناع الوقاية من الغبار وأحذية الأمان الواقية من الانزلاق والحدوث أو واقية الأذنين، حسب ظروف استعمال العدة الكهربائية، من خطر الإصابة بجروح.

◀ **تجنب التشغيل بشكل غير مقصود.** تأكد من كون العدة الكهربائية مطفأة قبل توصيلها بالتيار الكهربائي و/أو بالمركم، وقبل رفعها أو حملها. إن كنت تضع إصبعك على المفتاح أثناء حمل العدة الكهربائية أو إن وصلت الجهاز بالشبكة الكهربائية بينما لامفتاح على وضع التشغيل، قد يؤدي إلى وقوع الحوادث.

◀ **انزع أداة الضبط أو مفتاح الربط قبل تشغيل العدة الكهربائية.** قد تؤدي الأداة أو المفتاح المتواجد في جزء دوار من الجهاز إلى الإصابة بجروح.

◀ **تجنب أوضاع الجسم غير الطبيعية.** قف بأمان وحافظ على توازنك دائما. سيسمح لك ذلك بالتمكّن في الجهاز بشكل أفضل في المواقف الغير متوقعة.

◀ **قم بارتداء ثياب مناسبة.** لا ترتد الثياب الفضفاضة أو الملّية. احرص على إبقاء الشعر والملابس بعيدا عن الأجزاء المتحركة. قد تتشابك الثياب الفضفاضة والملّية والشعر الطويل بالأجزاء المتحركة.

◀ **إن جاز تركيب تجهيزات شفط وتجميع الغبار، فتأكد من أنها موصولة وبأنه يتم استخدامها بشكل سليم.** قد يقلل استخدام تجهيزات لشفط الغبار من المخاطر الناتجة عن الغبار.

◀ **لا تستخدم العدة الكهربائية بلا مبالاة وتجاهل قواعد الأمان الخاصة بها نتيجة لتعودك على استخدام العدة الكهربائية وكثرة استخدامها.** فقد يتسبب الاستعمال دون حرص في حدوث إصابة بالغة تحدث في أجزاء من الثانية.

حسن معاملة واستخدام العدد الكهربائية

◀ **لا تفرط بتحميل الجهاز.** استخدم لتفنيذ أشغالك العدة الكهربائية المخصصة لذلك. إنك تعمل بشكل أفضل وأكثر أماناً بواسطة العدة الكهربائية الملائمة في مجال الأداء المذكور.

◀ **لا تستخدم العدة الكهربائية إن كان مفتاح تشغيلها تالف.** العدة الكهربائية التي لم يعد من

عربي

إرشادات الأمان

الإرشادات العامة للأمان بالعدد الكهربائية

تحذير

اطلع على كافة تحذيرات الأمان والتعليمات والصور والمواصفات المرفقة بالعدة الكهربائية. عدم اتباع التعليمات الواردة أدناه قد يؤدي إلى حدوث صدمة كهربائية، إلى نشوب حريق و/أو الإصابة بجروح خطيرة.

احتفظ بجميع الملاحظات التحذيرية والتعليمات للمستقبل.

يقصد بمصطلح «العدة الكهربائية» المستخدم في الملاحظات التحذيرية، العدد الكهربائية الموصولة بالشبكة الكهربائية (بواسطة كابل الشبكة الكهربائية) وأيضا العدد الكهربائية المزودة بمركم (دون كابل الشبكة الكهربائية).

الأمان بمكان الشغل

◀ **حافظ على نظافة مكان شغلك وإضاءته بشكل جيد.** الفوضى في مكان الشغل ونطاقات العمل غير المضاءة قد تؤدي إلى وقوع الحوادث.

◀ **لا تشغل بالعدة الكهربائية في نطاق معرض لخطر الانفجار مثل الأماكن التي تتوفر فيه السوائل أو الغازات أو الأبخرة القابلة للاشتعال.** العدد الكهربائية تولد شررا قد يتطاير، فيشعل الأبخرة والأبخرة.

◀ **حافظ على بقاء الأطفال وغيرهم من الأشخاص بعيدا عندما تستعمل العدة الكهربائية.** تشتيت الانتباه قد يتسبب في فقدان السيطرة على الجهاز.

الأمان الكهربائي

◀ **يجب أن يتلائم قابس العدة الكهربائية مع المقبس.** لا يجوز تغيير القابس بأي حال من الأحوال. لا تستعمل القوايس المهائية مع العدد الكهربائية المؤرضة (ذات طرف أرضي). تخفّض القوايس التي لم يتم تغييرها والمقابس الملائمة من خطر الصدمات الكهربائية.

◀ **تجنب ملامسة جسمك للأسطح المؤرضة كالأنابيب والمبردات والمواقد أو التلّجات.** يزداد خطر الصدمات الكهربائية عندما يكون جسمك مؤرض أو موصل بالأرضي.

◀ **أبعد العدة الكهربائية عن الأمطار أو الرطوبة.** يزداد خطر الصدمات الكهربائية إن تسرب الماء إلى داخل العدة الكهربائية.

◀ **لا تسيء استعمال الكابل.** لا تستخدم الكابل في حمل العدة الكهربائية أو سحبها أو سحب القابس من المقبس. احرص على إبعاد الكابل عن الحرارة والزيت والحواف الحادة أو الأجزاء المتحركة. تزيد الكابلات التالفة أو المتشابكة من خطر الصدمات الكهربائية.

◀ **عند استخدام العدة الكهربائية خارج المنزل اقتصر على استخدام كابلات التمديد الصالحة للاستعمال الخارجي.** يقلل استعمال كابل تمديد

- ذلك. قد يؤدي سائل المركم المتسرب إلى تهيج البشرة أو إلى الاحتراق.
- ◀ لا تستخدم عدة أو مركم تعرضاً لأضرار أو للتعديل. البطاريات المعرضة لأضرار أو لتعدلات قد ينتج عنها أشياء لا يمكن التنبؤ بها، قد تسبب نشوب حريق أو حدوث انفجار أو إصابات.
- ◀ لا تعرض المركم أو العدة للهب أو لدرجة حرارة زائدة. التعرض للهب أو لدرجة حرارة أعلى من 130 °م قد يتسبب في انفجار.
- ◀ اتبع تعليمات الشحن ولا تقم بشحن المركم أو العدة خارج نطاق درجة الحرارة المحدد في التعليمات. الشحن بشكل غير صحيح أو في درجات حرارة خارج النطاق الممدد قد يعرض المركم لأضرار ويزيد من مخاطر الحريق.

الخدمة

- ◀ احرص على إصلاح عدتك الكهربائية فقط بواسطة العمال المتخصصين وباستعمال قطع الغيار الأصلية فقط. يضمن ذلك المحافظة على أمان الجهاز.
- ◀ لا تقم بإجراء أعمال خدمة على المراكم التالفة. أعمال الخدمة على المراكم يجب أن تقوم بها الجهة الصانعة فقط أو مقدم الخدمة المعتمد.

تعليمات الأمان لآلات الثقب ومفكات اللوالب

- تعليمات الأمان لكافة التطبيقات
- ◀ احرص على ارتداء واقبات السمع أثناء الثقب الطرقي. التعرض للضوضاء الناتجة عن ذلك قد يتسبب في فقدان السمع.
- ◀ أمسك العدة الكهربائية من أسطح المسك المعزولة عند القيام بأعمال قد يترتب عليها ملامسة ملحق القطع أو عناصر التثبيت لأسلاك كهربائية غير ظاهرة. ملامسة ملحق القطع أو أدوات الربط لسلك «مكهرب» قد يتسبب في مرور التيار في الأجزاء المعدنية من العدة وجعلها مكهربة مما قد يصيب المشغل بصدمة كهربائية.
- تعليمات الأمان عند استخدام ريش ثقب طويلة
- ◀ لا تقم أبداً بالتنشغيل بسرعة أعلى من السرعة القصوى المقررة لريشة الثقب. فعلى السرعات العالية ستكون الريشة معرضة للثني في حالة دورانها بشكل حر دون لمس قطعة الشغل، مما قد يؤدي لوقوع إصابات.
- ◀ احرص دائماً على بدء الثقب بسرعة منخفضة بحيث تكون رأس الريشة ملامسة لقطعة الشغل. فعلى السرعات العالية ستكون الريشة معرضة للثني في حالة دورانها بشكل حر دون لمس قطعة الشغل، مما قد يؤدي لوقوع إصابات.
- ◀ لا تضغط إلا على خط واحد مع الريشة، ولا تضغط بشكل زائد. فقد تتثنى الريشة، وتعرض للكسر أو تسبب فقدان السيطرة، مما يؤدي لوقوع إصابات.

إرشادات الأمان الإضافية

- ◀ أمسك بالعدة الكهربائية بإحكام. قد تتشكل عزوم رد فعل عالية لوهلة قصيرة عند إحكام شد وحل اللوالب.

- الممكن التحكم بها عن طريق مفتاح التشغيل والإطفاء تعتبر خطيرة ويجب أن يتم إصلاحها.
- ◀ اسحب القابس من المقبس و/أو اخلع المركم، إذا كان قابلاً للخلع، قبل ضبط الجهاز وقبل استبدال الملحقات أو قبل تخزين الجهاز. تمنع هذه الإجراءات وقائية تشغيل العدة الكهربائية بشكل غير مقصود.
- ◀ احتفظ بالعدد الكهربائية التي لا يتم استخدامها بعيداً عن متناول الأطفال. لا تسمح باستخدام العدة الكهربائية لمن لا خبرة له بها أو لمن لم يقرأ تلك التعليمات. العدد الكهربائية خطيرة إن تم استخدامها من قبل أشخاص دون خبرة.
- ◀ اعتن بالعدة الكهربائية والملحقات بشكل جيد. تأكد أن أجزاء الجهاز المتحركة مركبة بشكل سليم وغير مستعصية عن الحركة، وتفحص ما إن كانت هناك أجزاء مكسورة أو في حالة تؤثر على سلامة أداء العدة الكهربائية. ينبغي إصلاح هذه الأجزاء التالفة قبل إعادة تشغيل الجهاز. الكثير من الموادث مصدرها العدد الكهربائية التي تتم صيانتها بشكل ردي.
- ◀ احرص على إبقاء عدد القطع نظيفة وحادة. إن عدد القطع ذات حواف القطع المادة التي تم صيانتها بعناية تتكلم بشكل أقل ويمكن توجيهها بشكل أيسر.
- ◀ استخدم العدد الكهربائية والتوايح وريش الشغل إلخ. وفقاً لهذه التعليمات. تراعى أثناء ذلك ظروف الشغل والعمل المراد تنفيذه. استخدام العدد الكهربائية لغير الأشغال المخصصة لأجلها قد يؤدي إلى حدوث الحالات الخطيرة.
- ◀ احرص على إبقاء المقابض وأسطح المسك جافة ونظيفة وخالية من الزيوت والشحوم. المقابض وأسطح المسك الزلقة لا تتبع التشغيل والتحكم الآمن في العدة في المواقف غير المتوقعة.
- حسن معاملة واستخدام العدد المزودة بمركم اشحن المراكم فقط في أجهزة الشحن التي يُنصح باستخدامها من طرف المنتج. قد يتسبب جهاز الشحن المخصصة لنوع معين من المراكم في خطر الحريق إن تم استخدامه مع نوع آخر من المراكم.
- ◀ استخدم العدد الكهربائية فقط مع المراكم المصممة لهذا الغرض. قد يؤدي استخدام المراكم الأخرى إلى إصابات وإلى خطر نشوب المرائق.
- ◀ حافظ على إبعاد المركم الذي لا يتم استعماله عن مشابك الورق وقطع النقود المعدنية والمفاتيح والمسامير واللوالب أو غيرها من الأغراض المعدنية الصغيرة التي قد تقوم بتوصيل الملامسين ببعضهما البعض. قد يؤدي تقصير الدارة الكهربائية بين ملامسي المركم إلى الاحتراق أو إلى اندلاع النار.
- ◀ قد يتسرب السائل من المركم في حالة سوء الاستعمال. تجنب ملامسته. اشطفه بالماء في حال ملامسته بشكل غير مقصود. إن وصل السائل إلى العينين، فراجع الطبيب إضافة إلى

يرجى الرجوع إلى الصور الموجودة في الجزء الأول من دليل التشغيل.

الاستعمال المخصص

العدة الكهربائية مخصصة لربط وحل اللوالب بالإضافة إلى الثقب في الخشب والمعدن والسيراميك واللدائن. العدة الكهربائية GSB مخصصة بالإضافة إلى ذلك للثقب الطرقي في الطوب والخرسانة والحجر.

الأجزاء المصورة

يشير ترقيم الأجزاء المصورة إلى رسوم العدة الكهربائية الموجودة في صفحة الرسوم التخطيطية.

- (1) حاضن العدة
- (2) ظرف ريش الثقب سريع الربط
- (3) حلقة ضبط اختيار عزم الدوران مسبقا
- (4) مفتاح اختبار أنواع التشغيل (GSB)
- (5) مفتاح اختيار ترس السرعة
- (6) غطاء حماية
- (7) المرمك
- (8) زر تمرير المرمك
- (9) مصباح العمل
- (10) مفتاح تحويل اتجاه الدوران
- (11) مفتاح التشغيل والإطفاء
- (12) مقبض (مقبض مسك معزول)
- (13) حامل لقم عام^(A)
- (14) فرش فحمية
- (15) زر مبيّن حالة الشمن
- (16) مبيّن حالة شحن المرمك

(A) لا يتضمن إطار التوريد الاعتيادي التوابع المصورة أو المشروحة. تجد التوابع الكاملة في برنامجنا للتوابع.

◀ **احرص على تأمين قطعة الشغل.** قطعة الشغل المثبتة بواسطة تجهيزة شدّ أو بواسطة الملزمة مثبتة بأمان أكبر مما لو تم الإمساك بها بواسطة يدك.

◀ **استخدم أجهزة تنقيب ملائمة للعثور على خطوط الإمداد غير الظاهرة، أو استعن بشركة الإمداد المحلية.** ملامسة الخطوط الكهربائية قد تؤدي إلى اندلاع النار وإلى الصدمات الكهربائية. حدوث أضرار بخط الغاز قد يؤدي إلى حدوث انفجارات. اختراق خط الماء يتسبب في وقوع أضرار مادية.

◀ **انتظر إلى أن تتوقف العدة الكهربائية عن الحركة قبل أن تضعها جانباً.** قد تتكلم عدة الشغل فتؤدي إلى فقدان السيطرة على العدة الكهربائية.

◀ **قد تنطلق أبخرة عند تلف المرمك واستخدامه بطريقة غير ملائمة. يمكن أن يحترق المرمك أو يتعرض للانفجار.** أمن توفر الهواء النقي وراجع الطبيب إن شعرت بشكوى. قد تهيج هذه الأبخرة المجاري التنفسية.

◀ **لا تفتح المرمك.** يتشكل خطر تقصير الدائرة الكهربائية.

◀ **يمكن أن يتعرض المرمك لأضرار من خلال الأشياء المعدنية مثل المسامير والمفكات أو من خلال تأثير القوى الخارجية.** وقد يؤدي هذا إلى تقصير الدائرة الكهربائية الداخلية واحترق المرمك وأخروج الأدخنة منه أو انفجاره وتعرضه لسخونة مفرطة.

◀ **اقتصر على استخدام المرمك في منتجات الجهة الصانعة.** يتم حماية المرمك من فرط التحميل الخطير بهذه الطريقة فقط دون غيرها.

احرص على حماية المرمك من الحرارة، بما ذلك التعرض لأشعة الشمس باستمرار ومن النار والأتساخ والماء والرطوبة. حيث ينشأ خطر الانفجار وخطر حدوث دائرة قصر.



◀ **أوقف العدة الكهربائية على الفور في حالة تعرض عدة الشغل للانحصار. كن مستعداً لمواجهة عزم رد الفعل العالية، والتي تسبب صدمة ارتدادية.** تنمصر عدة الشغل عندما يتم التحميل بشكل زائد على العدة الكهربائية أو إذا انقمت في قطعة الشغل التي تعمل عليها.

وصف المنتج والأداء

اقرأ جميع إرشادات الأمان والتعليمات. ارتكاب الأخطاء عند تطبيق إرشادات الأمان والتعليمات، قد يؤدي إلى حدوث صدمات الكهربائية أو إلى نشوب الحرائق و/أو الإصابة بجروح خطيرة.



البيانات الفنية

GSB 180-LI	GSR 180-LI	مثناب/مفك لوالب برمك
3 601 JF8 3..	3 601 JF8 1..	رقم الصنف
18	18	الجهد الاسمي
		فلط =

GSB 180-LI	GSR 180-LI	مثناب/مفك لوالب بمركم	عدد اللغات الاحتملي
0-500	0-500	دقيقة ⁻¹	- السرعة الأولى
0-1900	0-1900	دقيقة ⁻¹	- السرعة الثانية
0-27000	-	min ⁻¹	عدد الطرقات
54/21	54/21	نيوتن متر	عزم الدوران الأقصى في حالة ربط لوالب قاسية/ليثة حسب المواصفة ISO 5393 ^(A)
			أقصى قطر ثقب (السرعة الأولى والثانية)
35	35	مم	- خشب
10	10	مم	- فولاذ
10	-	مم	- الجدران
1,5-13	1,5-13		حاضن العدة
10	10	مم	القطر الأقصى للوالب
1,7-2,7	1,6-2,6	كجم	الوزن حسب EPTA-Procedure ^(A) ISO 1:2014
0 ... +35	0 ... +35	°م	درجة الحرارة المحيطة الموصى بها عند الشحن
-20 ... +50	-20 ... +50	°م	درجة الحرارة المحيطة المسموح به عند التشغيل ^(B) وعند التخزين
GBA 18V... ProCORE18V...	GBA 18V... ProCORE18V...		المراكم الموصى بها
GAL 18... GAX 18... GAL 36...	GAL 18... GAX 18... GAL 36...		أجهزة الشحن الموصى بها

(A) حسب المركم المستخدم

(B) قدرة محدودة في درجات الحرارة > 0 °C

◀ لا تتابع الضغط على مفتاح التشغيل والإطفاء بعد انطفاء العدة الكهربائية بشكل آلي. فقد

يتلف المركم.

تراجع الملاحظات بصدد التخلص من العدد.

نزع المركم

يمتاز المركم (7) بدرجتى إقفال اثنتين والتي عليها أن تمنع سقوط المركم للخارج في حال ضغط زر فك إقفال المركم بشكل غير مقصود (8). يتم تثبيت المركم بواسطة نابض مادام مركبا في العدة الكهربائية.

لخلع المركم (7) اضغط على زر فك الإقفال (8)

واجذب المركم من العدة الكهربائية من الجانب. لا تستخدم القوة أثناء ذلك.

مبين حالة شحن المركم

تشير مصابيح الدايمود الخضراء الخاصة بمبين حالة شحن المركم (16) لحالة شحن المركم (7). لأسباب تتعلق بالسلامة فإنه لا يمكن الاستعلاء عن حالة الشحن إلا والعدة متوقفة.

اضغط على زر مبين حالة شحن المركم (15) لإظهار حالة الشحن. يمكن هذا أيضا والمركم مخرج.

إذا لم يضيء أي مصباح دايمود بعد الضغط على زر مبين حالة شحن المركم (15)، فهذا يعني أن المركم تالف ويجب تغييره.

التركيب

◀ انزع المركم عن العدة الكهربائية قبل إجراء أي أعمال بالعدة الكهربائية (مثلاً: الصيانة، استبدال العدد وإلخ..). وأيضاً عند نقلها أو تخزينها. هناك خطر إصابة بجروح عند الضغط على مفتاح التشغيل والإطفاء بشكل غير مقصود.

شحن المركم

◀ اقتصر على استخدام أجهزة الشحن المذكورة في المواصفات الفنية. أجهزة الشحن هذه دون غيرها هي المتوائمة مع مركم أيونات الليثيوم المستخدم في عدتك الكهربائية.

ملحوظة: يتم تسليم المركم وهو بحالة شحن جزئي. لضمان قدرة أداء المركم الكاملة، يتوجب شحن المركم في تجهيزة الشحن بشكل كامل قبل الاستعمال لأول مرة.

يمكن أن يتم شحن مركم أيونات الليثيوم في أي وقت، دون أن يقلل ذلك من فترة صلاحيته. لا يتسبب قطع عملية الشحن في الإضرار بالمركم.

لقد تم وقاية مركم أيونات الليثيوم من التفريغ الشديد بواسطة واقية الخلايا الإلكترونية، "Electronic Cell Protection (ECP)". يتة إطفاء العدة الكهربائية بواسطة قارئة وقائية عندما يفرغ المركم؛ لن تتحرك عدة الشغل عندئذ.

التشغيل

بدء التشغيل

تركيب المركم

إرشاد: استخدام المراكم غير المناسبة لعدتك الكهربائية يمكن أن يؤدي إلى حدوث اختلالات وظيفية أو إلى إلحاق الضرر بالعدة الكهربائية. اضبط مفتاح تمويل اتجاه الدوران (10) على الوضع المتوسط لمنع التشغيل غير المقصود. ضع المركم المشحون (7) في المقبض إلى أن يثبت بصوت مسموع، ويتساطع مع المقبض.

ضبط اتجاه الدوران (انظر الصورة B)

يمكنك أن تغير اتجاه دوران العدة الكهربائية (10) بواسطة مفتاح تغيير اتجاه الدوران. إلا أنه لا يمكن تغييره عندما يكون مفتاح التشغيل والإطفاء (11) مضغوطاً.

دوران يميني: للثقب ولربط اللوالب، اضغط على مفتاح تمويل اتجاه الدوران (10) إلى اليسار حتى النهاية.

دوران إلى اليسار: لحل أو فك اللوالب والصواميل اضغط مفتاح تغيير اتجاه الدوران (10) إلى اليمين حتى المصد.

ضبط نوع التشغيل

الثقب

GSR



اضبط طارة ضبط الاختيار المسبق لعزم الدوران (3) على عزم الدوران المرغوب.

GSR

اضبط زر اختيار نوع التشغيل (4) على الرمز "الثقب".

ربط اللوالب

GSR



اضبط طارة ضبط الاختيار المسبق لعزم الدوران (3) رمز "ربط اللوالب".

GSR

اضبط زر اختيار نوع التشغيل (4) على الرمز "ربط اللوالب".

الثقب المرفق بالطرق (GSB)

اضبط زر اختيار نوع التشغيل (4) على الرمز "الثقب الطرقي".



التشغيل والإطفاء

لغرض تشغيل العدة الكهربائية اضغط على مفتاح التشغيل والإطفاء (11) وحافظ على إبقائه مضغوطاً.

يضيء المصباح (9LED) عند الضغط على مفتاح التشغيل والإطفاء (11) بشكل جزئي أو كامل ويسمع بإضاءة مكان الشغل إن كانت ظروف الإضاءة غير ملائمة.

لغرض إطفاء العدة الكهربائية اترك مفتاح التشغيل والإطفاء (11).

ضبط عدد الدوران

يمكنك أن تتحكم بعدد دوران العدة الكهربائية قيد التشغيل دون تدريب، حسب مدى الضغط على مفتاح التشغيل والإطفاء (11).

نوع المركم GBA 18V... (انظر الصورة D1)

مصابيح الدايود	السعة
ضوء مستمر ×3 أخضر	60-100 %
ضوء مستمر ×2 أخضر	30-60 %
ضوء مستمر ×1 أخضر	5-30 %
الإضاءة الومضة ×3 أخضر	0-5 %

نوع المركم ProCORE18V... (انظر الصورة D2)

مصابيح الدايود	السعة
ضوء مستمر ×5 أخضر	80-100 %
ضوء مستمر ×4 أخضر	60-80 %
ضوء مستمر ×3 أخضر	40-60 %
ضوء مستمر ×2 أخضر	20-40 %
ضوء مستمر ×1 أخضر	5-20 %
الإضاءة الومضة ×1 أخضر	0-5 %

استبدال العدد (انظر الصورة A)

← انزع المركم عن العدة الكهربائية قبل إجراء أي أعمال بالعدة الكهربائية (مثلاً: الصيانة، استبدال العدد وإلخ.) وأيضاً عند نقلها أو تخزينها. هناك خطر إصابة بجروح عند الضغط على مفتاح التشغيل والإطفاء بشكل غير مقصود.

افتح طرف ريش الثقب سريع الربط (2) من خلال إدارته في اتجاه دوران ④، إلى أن تتمكن من تلقيم العدة. قم بتركيب العدة.

أغلق جلبة طرف ريش الثقب سريع الربط (2) بإدارتها في الاتجاه ⑤ يدويا بقوة. يتم تأمين قفل طرف ريش الثقب بذلك أو توماتيكياً.

شفط الغبار/النشارة

إن أغبرة بعض المواد كالطلاء الذي يحتوي على الرصاص، وبعض أنواع الخشب والفلزات والمعادن، قد تكون مضرّة بالصحة. إن ملامسة أو استنشاق الأغبرة قد يؤدي إلى ردود فعل زائدة الحساسية و/أو إلى أمراض المجاري التنفسية لدى المستخدم أو لدى الأشخاص المتواجدين على مقربة من المكان. تعتبر بعض الأغبرة المعينة، كأغبرة البيلوط والزنان من مسببات السرطان، وبالأخص عند اتصالها بالمواد الإضافية الخاصة بمعالجة الخشب (ملح حامض الكروميك، المواد الحافظة للخشب). يجوز أن يتم معالجة المواد التي تحتوي على الأسبستوس من قبل العمال المتخصصين فقط دون غيرهم.

- حافظ على تهوية مكان الشغل بشكل جيد.
- ينصح بارتداء قناع وقاية للتنفس من فئة المرشح P2.

تراعى الأحكام السارية في بلدكم بالنسبة للمواد المرغوب معالجتها.

← تجنب تراكم الغبار بمكان العمل. يجوز أن تشتعل الأغبرة بسهولة.

إرشادات العمل

- ◀ ادفع مفتاح اختيار ترس السرعة أو أدر مفتاح اختيار أنواع التشغيل دائما إلى حد التصادم. وإلا، فقد تتعرض العدة الكهربائية لأضرار.
- ◀ ضع العدة الكهربائية على اللولب/الصامولة فقط عندما تكون مطفاة. إن عدد الشغل الدوارة قد تنزلق.
- لفك لقمة مفك البراغي أو حامل اللقم العام يجوز استخدام أداة مساعدة.
- ◀ العمل في محيط مترب للغاية قد يؤدي إلى حدوث عطل بالعدة الكهربائية. في حالة حدوث عطل مفاجئ بالعدة الكهربائية، قم بفك الفحمات الكربونية وافحصها (انظر الجزء «تغيير الفرش الفحمية»).

الصيانة والخدمة

الصيانة والتنظيف

- ◀ انزع المرمك عن العدة الكهربائية قبل إجراء أي أعمال بالعدة الكهربائية (مثلا: الصيانة، استبدال العدد وإلخ..). وأيضا عند نقلها أو تخزينها. هناك خطر إصابة بجروح عند الضغط على مفتاح التشغيل والإطفاء بشكل غير مقصود.
- ◀ للعمل بشكل جيد وآمن حافظ دائما على نظافة العدة الكهربائية وفتحات التهوية.

تغيير الفرش الفحمية (انظر الصورة C)

- تفحص طول الفرش الفحمية بعد كل شهرين - ثلاثة أشهر تقريبا واستبدل الفرشتين الفحميتين عند الضرورة.
- لا تستبدل أبدا فرشاة فحمية واحدة فقط.
- إرشاد: استخدم فقط الفرش الفحمية المشتراة من شركة بوش والمخصصة لهذا المنتج.
- قم بفك الأغصية (6) بواسطة مفك براغي ملائم.
- استبدل الفرش الفحمية (14) الواقعة تحت ضغط نابضي، وأعد ربط الأغصية بإحكام.
- يرجى التوجه إلى مركز خدمة عملاء بوش للعدد الكهربائية، إن لم يعد المرمك صالحا للعمل.

خدمة العملاء واستشارات الاستخدام

- يجيب مركز خدمة العملاء على الأسئلة المتعلقة بإصلاح المنتج وصيانتته، بالإضافة لقطع الغيار. تجد الرسوم التفصيلية والمعلومات الخاصة بقطع الغيار في الموقع: www.bosch-pt.com
- يسر فريق Bosch لاستشارات الاستخدام مساعدتك إذا كان لديك أي استفسارات بخصوص منتجاتنا وملحقاتها.
- يلزم ذكر رقم الصنف ذو الخانات العشر وفقا للوحة صنع المنتج عند إرسال أية استفسارات أو طلبيات قطع غيار.

الجزائر

سبيستال

منطقة الحدادين الصناعية

06000 بجاية

هاتف: 0982 400 991/2 (0) 213 +

يؤدي الضغط الخفيف على مفتاح التشغيل والإطفاء (11) إلى عدد لفات منخفض. يزداد عدد اللفات بزيادة الضغط.

ضبط عزم الدوران مسبقا

تسمح لك حلقة ضبط اختيار عزم الدوران مسبقا (3) بضبط عزم الدوران المطلوب على 20 درجة بشكل مسبق. بمجرد الوصول إلى عزم الدوران المضبوط يتم إيقاف عدة الشغل.

اختيار ترس السرعة ميكانيكيا

- ◀ يجوز تغيير وضع مفتاح اختيار ترس السرعة (5) عند توقف العدة الكهربائية عن الحركة أو أثناء تشغيلها. ويجب ألا يتم ذلك أثناء التحميل الكامل أو أثناء عدد الدوران الأقصى.

ترس السرعة ا:

مجال عدد دوران منخفض، للشغل بقطر تثقيب كبير أو لربط اللوالب.

ترس السرعة ا:

مجال عدد لفات مرتفع للعلم بقطر ثقب صغير.

وسيلة الحماية من التحميل الزائد المرتبطة بدرجة الحرارة

في الاستعمال المطابق للتعليمات لا يمكن تعريض العدة الكهربائية للتحميل الزائد. وفي حالة التحميل الشديد أو الخروج عن النطاق المسموح به لدرجة حرارة البطارية تتوقف العدة الكهربائية عن العمل وتومض لمبة LED الموجودة بالعدة الكهربائية. اترك العدة الكهربائية لتبرد قبل مواصلة العمل.

واقية التفريغ العميق

لقد تم وقاية مرمك أيونات الليثيوم من التفريغ الشديد بواسطة واقية الخلايا الإلكترونية، "Electronic Cell Protection (ECP)". يتم إطفاء العدة الكهربائية بواسطة قارئة وقائية عندما يفرغ المرمك: لن تتحرك عدة الشغل عندئذ.

خاصية الإطفاء السريع (وظيفة Kickback Control)

تتيح خاصية الإطفاء السريع (Kickback Control) تحكما أفضل في العدة الكهربائية وتزيد من درجة حماية المستخدم مقارنة بالعدد الكهربائية غير المزودة بوظيفة Kickback Control. في حالة الدوران المفاجئ وغير المتوقع للعدة الكهربائية حول محور الثقب تنطفئ العدة الكهربائية.

يتم الإشارة إلى إيقاف السريع عن طريق وميض لمبة LED بالعدة الكهربائية. لغرض إعادة تشغيل اترك مفتاح التشغيل والإطفاء واضغط عليه مجددا.

- ◀ في حالة تعطل وظيفة Kickback Control لا يمكن تشغيل العدة الكهربائية. احرص على تصليح عدتك الكهربائية فقط من قبل العمال المتخصصين وباستعمال قطع الغيار الأصلية فقط.



فاكس: +968 2479 4058
البريد الإلكتروني: sudhirkumar@malatan.net

قطر

الدولية لحللول البناء ش.م.م.
صندوق بريد صندوق 51،
هاتف الدوحة: +974 40065458
فاكس: +974 4453 8585
بريد إلكتروني: csd@icsdoha.com

المملكة العربية السعودية

شركة الجفلي للمعدات الفنية (جيتكو)
صندوق بريد: 1049 - جدة 21431 - المملكة العربية
السعودية
جدة: 00966 (0) 12 692 0770 - داخلي 433
الرياض: 00966 (0) 11 409 3976 -
داخلي-39/34/30
الدمام: 00966 (0) 13 833 9565
البريد الإلكتروني: M.Zreik@eajb.com.sa

سوريا

مؤسسة دلال للمعدات الكهربائية
دمشق. شارع البرامكة - شارع بن عامر
هاتف: 009631122414009 أو +963112241006
الجوال: 00963991141005
البريد الإلكتروني: rita.dallal@hotmail.com

تونس

روبرت بوش تونس ش.ذ.م.
7 زنقة ابن بطوطة Z.I. سان جوبان
مقرين رياض
2014 ابن عروس
هاتف: +216 71 427 496/879
فاكس: +216 71 428 621
بريد إلكتروني: sav.outillage@tn.bosch.com

الإمارات العربية المتحدة

المركزية للسيارات والمعدات،
صندوق بريد 26255، دبي
دبي: 00971 (0) 4 3090920/3090930
أبو ظبي: 00971 (0) 2 4017745
الشارقة: 00971 (0) 6 5932777
العين: 00971 (0) 3 7157419
البريد الإلكتروني:
Mallappa.Madari@centralmotors.ae

اليمن

مؤسسة أبو الرجال التجارية
صنعا، شارع الزبيرى. أمام مبنى البرلمان الجديد
هاتف: +967-1-202010
فاكس: +967-1-471917
بريد إلكتروني: tech-tools@abualrejal.com
yahya@abualrejal.com

النقل

تخضع مراكز إيونات الليثيوم المركبة لأحكام قانون
المواد الخطيرة. يسمح للمستخدم أن يقوم بنقل
المركب على الطرقات دون التقيد بأية شروط
إضافية.

عندما يتم إرسالها عن طريق طرف آخر (مثلاً: الشحن
الجوي أو شركة شحن)، يتوجب التقيد بشروط خاصة
بصدد التغليف ووضع العلامات. ينبغي استشارة خبير

فاكس: +213 (0) 3 420 1569
بريد إلكتروني: sav@siestal-dz.com

البحرين

شركة الجفلي وإخوانه للمعدات الفنية.
مملكة البحرين، العكر - بلوك 0624 - شارع 2403 -
مبنى 0055D
الهاتف: +97317704537
فاكس: +973177045257
البريد الإلكتروني: h.berjas@eajb.com.sa

مصر

RBEG-LLC
22 كمال الدين حسين
شيرتون هليوبوليس
11799 القاهرة
البريد الإلكتروني:
boschegypt.powertools@eg.bosch.com

العراق

Sahba Technology Group
شارع مطار المثنى
بغداد
هاتف بغداد: +964 (0) 7 901 930366
هاتف دبي: +971 (0) 4 422 1898
البريد الإلكتروني: duraid@sahbatechnology.com

الأردن

شركة الجذور العربية Roots Arabia - الأردن
شارع الحرية، المقابلين
عمان 11623، الأردن
صندوق بريد: 110068
هاتف: +962 6 4398990
البريد الإلكتروني: bosch@rootsjordan.com

الكويت

منطقة الشويخ الصناعية، مبنى 1، قطعة 16، شارع
رقم 3
صندوق بريد صندوق 164 - 13002 الصفاة
هاتف: 24810844
فاكس: 24810879
بريد إلكتروني: josephkr@aaalmutawa.com

لبنان

طحيني هنا وشركاه ش.ذ.م.
صندوق بريد صندوق 449-90
جديد
الدورة بيروت
هاتف: +9611255211
بريد إلكتروني: service-pt@tehini-hana.com

المغرب

Robert Bosch Morocco SARL
53، شارع الملازم محمد محروود
20300 الدار البيضاء
الهاتف: +212 5 29 31 43 27
البريد الإلكتروني: sav.outillage@ma.bosch.com

عمان

ملتن للتجارة والمقاولات ش.م.م.
صندوق بريد 131، روى، مسقط
الكود البريدي: 112، سلطنة عمان
هاتف: +968 2479 4035/4089/4901
جوال: +968-91315465

متخصص بنقل المواد الخطيرة عندما يرغب بتحضير المرمك المراد شحنه في هذه الحالة.
لا تقوم بشحن المراكم إلا إذا كان هيكلها الخارجي سليماً. قم بتغطية الملامسات المكشوفة ببلابصقات، وقم بتغليف المرمك بحيث لا يتحرك في الطرد. يرجى أيضاً مراعاة التشريعات المحلية المتعلقة إن وجدت.

التخلص من العدة الكهربائية

يجب التخلص من العدة الكهربائية والمركم والتوابع والتغليف بطريقة صديقة للبيئة عن طريق النفايات القابلة لإعادة التصنيع.



لا تلق العدة الكهربائية والمراكم/البطاريات ضمن النفايات المنزلية!



المراكم/البطاريات:

مراكم أيونات الليثيوم:

يرجى مراعاة الإرشادات الواردة في جزء النقل (انظر „النقل“، الصفحة 78).

مناسب برای محیط باز، خطر برق گرفتگی را کم می کنند.

◀ در صورت لزوم کار با ابزار برقی در محیط و اماکن مرطوب، باید از یک کلید حفاظتی جریان خطا و نشستی زمین (کلید قطع کننده اتصال با زمین) استفاده کنید. استفاده از کلید حفاظتی جریان خطا و نشستی زمین خطر برق گرفتگی را کاهش می دهد.

رعایت ایمنی اشخاص

◀ حواس خود را خوب جمع کنید، به کار خود دقت کنید و با فکر و هوشیاری کامل با ابزار برقی کار کنید. در صورت خستگی و یا در صورتی که مواد مخدر، الکل و دارو استفاده کرده‌اید، با ابزار برقی کار نکنید. یک لحظه بی توجهی هنگام کار با ابزار برقی، میتواند جراثم های شدیدی به همراه داشته باشد.

◀ از تجهیزات ایمنی شخصی استفاده کنید. همواره از عینک ایمنی استفاده نمایید. استفاده از تجهیزات ایمنی مانند ماسک ضد گرد و غبار، کفشهای ایمنی ضد لغزش، کلاه ایمنی و گوشی محافظ متناسب با نوع کار با ابزار برقی، خطر مجروح شدن را کاهش میدهد.

◀ مواظب باشید که ابزار برقی بطور ناخواسته بکار نیفتد. قبل از وارد کردن دوشاخه دستگاه در پریز برق، اتصال آن به باتری، برداشتن آن و یا حمل دستگاه، باید دقت کنید که ابزار برقی خاموش باشد. در صورتی که هنگام حمل دستگاه انگشت شما روی دکمه قطع و وصل باشد و یا دستگاه را در حالت روشن به برق بزنید، ممکن است سوانح کاری پیش آید.

◀ قبل از روشن کردن ابزار برقی، همه ابزارهای تنظیم کننده و آپارها را از روی دستگاه بردارید. ابزار و آپارهایی که روی بخش های چرخنده دستگاه قرار دارند، میتوانند باعث ایجاد جراثم شوند.

◀ وضعیت بدن شما باید در حالت عادی قرار داشته باشد. برای کار جای مطمئنی برای خود انتخاب کرده و تعادل خود را همواره حفظ کنید. به این ترتیب میتوانید ابزار برقی را در وضعیتهای غیر منتظره بهتر تحت کنترل داشته باشید.

◀ لباس مناسب بپوشید. از پوشیدن لباسهای گشاد و حمل زینت آلات خودداری کنید. موها و لباس خود را از بخشهای در حال چرخش دستگاه دور نگه دارید. لباسهای گشاد، موی بلند و زینت آلات ممکن است در قسمتهای در حال چرخش دستگاه گیر کنند.

◀ در صورتی که تجهیزاتی برای اتصال وسائل مکش گرد و غبار و یا وسیله جمع کننده گرد و غبار ارائه شده است، باید مطمئن شوید که این وسائل درست نصب و استفاده می شوند. استفاده از وسائل مکش گرد و غبار مصونیت شما را در برابر گرد و غبار زیاده تر میکند.

◀ آشنایی با ابزار به دلیل کار کردن زیاد با آن نباید باعث سهل انگاری شما و نادیده گرفتن اصول ایمنی شود. بی دقتی ممکن است باعث بروز جراحاتی در عرض کسری از ثانیه شود.

فارسی

دستورات ایمنی

نکات ایمنی عمومی برای ابزارهای برقی

⚠ هشدار کلیه هشدارها، دستورالعملها، تصاویر و

مشخصات ارائه شده به همراه ابزار برقی را مطالعه کنید. اشتباهات ناشی از عدم رعایت این دستورات ایمنی ممکن است باعث برق گرفتگی، سوختگی و یا سایر جراثم های شدید شود.

کلیه هشدارهای ایمنی و راهنماییها را برای آینده خوب نگهداری کنید.

عبارت «ابزار برقی» در هشدارها به ابزارهایی که به پریز برق متصل میشوند (با سیم برق) و یا ابزارهای برقی باتری دار (بدون سیم برق) اشاره دارد.

ایمنی محل کار

◀ محیط کار را تمیز و روشن نگه دارید. محیطهای در هم ریخته یا تاریک احتمال بروز حادثه را افزایش میدهند.

◀ ابزار برقی را در محیطهایی که خطر انفجار وجود دارد و حاوی مایعات، گازها و بخارهای متحرکه هستند، به کار نگیرید. ابزارهای برقی چرخههایی ایجاد میکنند که میتوانند باعث آتش گرفتن گرد و غبارهای موجود در هوا شوند.

◀ هنگام کار با ابزار برقی، کودکان و سایر افراد را از دستگاه دور نگه دارید. در صورتیکه حواس شما پرت شود، ممکن است کنترل دستگاه از دست شما خارج شود.

ایمنی الکتریکی

◀ دوشاخه ابزار برقی باید با پریز برق تناسب داشته باشد. هیچگونه تغییری در دوشاخه ایجاد نکنید. مبدل دوشاخه نباید همراه با ابزار برقی دارای اتصال زمین استفاده شود. دوشاخههای اصل و تغییر داده نشده و پریزهای مناسب، خطر برق گرفتگی را کاهش میدهند.

◀ از تماس بدنی با قطعات متصل به سیم اتصال زمین مانند لوله، شوفاژ، اجاق برقی و یخچال خودداری کنید. در صورت تماس بدنی با سطوح و قطعات دارای اتصال به زمین و همچنین تماس شما با زمین، خطر برق گرفتگی افزایش می یابد.

◀ ابزارهای برقی را در معرض باران و رطوبت قرار ندهید. نفوذ آب به ابزار برقی، خطر شوک الکتریکی را افزایش میدهد.

◀ از سیم دستگاه برای مقاصد دیگر استفاده نکنید. هرگز برای حمل ابزار برقی، کشیدن آن یا خارج کردن دوشاخه از سیم دستگاه استفاده نکنید. کابل دستگاه را از حرارت، روغن، لیبهای تیز یا قطعات متحرک دور نگه دارید. کابلهای آسیب دیده و یا گره خورده خطر شوک الکتریکی را افزایش میدهند.

◀ هنگام استفاده از ابزار برقی در محیطهای باز، تنها از کابل رابطی استفاده کنید که برای محیط باز نیز مناسب باشد. کابل های رابط

- شوند. ایجاد اتصالی بین دو قطب باتری (ترمینالهای باتری) میتواند باعث سوختگی و ایجاد حریق شود.
- ◀ استفاده بی رویه از باتری میتواند باعث خروج مایعات از آن شود؛ از هر گونه تماس با این مایعات خودداری کنید. در صورت تماس اتفاقی با آن، دست خود و یا محل تماس را با آب بشوئید. در صورت آلوده شدن چشم با این مایع، باید به پزشک مراجعه کنید. مایع خارج شده از باتری میتواند باعث التهاب پوست و سوختگی شود.
 - ◀ هرگز از باتری یا ابزار آسیب دیده یا دست کاری شده استفاده نکنید. باتریهای آسیب دیده ممکن است کارکرد غیر منتظرهای داشته باشند و منجر به آتش سوزی، انفجار یا جراحت شوند.
 - ◀ باتری یا ابزار را در معرض آتش یا دمای زیاد قرار ندهید. قرار گرفتن در معرض آتش یا دمای بالاتر از 130 درجه سانتیگراد میتواند باعث انفجار شود.
 - ◀ همه راهنماییهای مربوط به شارژ را رعایت کنید و باتری یا ابزار را خارج از محدوده دمای تعریف شده در دستورات شارژ نکنید. شارژ کردن نادرست یا در دمای خارج از محدوده تعریف شده ممکن است به باتری صدمه بزند و خطر آتش سوزی را افزایش دهد.
- سرویس**
- ◀ برای تعمیر ابزار برقی فقط به متخصصین حرفهای رجوع کنید و از قطعات یدکی اصل استفاده نمایید. این باعث خواهد شد که ایمنی دستگاه شما تضمین گردد.
 - ◀ هرگز باتریهای آسیب دیده را تعمیر نکنید. باتری باید تنها توسط متخصصین مجاز شرکت تعمیر شوند.
- نکات ایمنی برای دریل ها و پیچ گوشتی ها**
- دستورالعملهای ایمنی برای انواع عملیات**
- ◀ هنگام کار با دریل ضربهای از گوشی ایمنی استفاده کنید. قرار گرفتن در معرض سر و صدا، میتواند به شنوایی آسیب برساند.
 - ◀ چنانچه هنگام انجام کار، امکان تماس متعلقات برش یا بستها با سیمهای برق غیر قابل رؤیت وجود داشته باشد، باید ابزار برقی را از محل دستگیره و سطوح عایق آن بگیریید. تماس متعلقات برش یا بستها با سیم حامل جریان برق، میتواند جریان برق را به بخشهای فلزی دستگاه نیز انتقال دهد و باعث برق گرفتگی شود.
 - ◀ دستورالعملهای ایمنی برای هنگام استفاده از متهای بلند
 - ◀ هرگز دستگاه را با سرعت بیشتر از حداکثر سرعت مجاز مته به کار نگیرید. در سرعتهای بالاتر، ممکن است مته هنگام چرخش در حالت آزاد و بدون تماس با قطعه کار کج شود و باعث وارد آمدن جراحت گردد.

- استفاده صحیح از ابزار برقی و مراقبت از آن**
- ◀ از وارد کردن فشار زیاد روی دستگاه خودداری کنید. برای هر کاری، از ابزار برقی مناسب با آن استفاده کنید. بکار گرفتن ابزار برقی مناسب باعث میشود که بتوانید از توان دستگاه بهتر و با اطمینان بیشتر استفاده کنید.
 - ◀ در صورت ایراد در کلید قطع و وصل ابزار برقی، از دستگاه استفاده نکنید. ابزار برقی که نمی توان آنها را قطع و وصل کرد، خطرناک بوده و باید تعمیر شوند.
 - ◀ قبل از تنظیم ابزار برقی، تعویض متعلقات و یا کنار گذاشتن آن، دوشاخه را از برق بکشید و یا باتری آنرا خارج کنید. رعایت این اقدامات پیشگیری ایمنی از راه افتادن ناخواسته ابزار برقی جلوگیری می کند.
 - ◀ ابزار برقی را در صورت عدم استفاده، از دسترس کودکان دور نگه دارید و اجازه ندهید که افراد ناوارد و یا اشخاصی که این دفترچه راهنما را نخواندهاند، با این دستگاه کار کنند. قرار گرفتن ابزار برقی در دست افراد ناوارد و بی تجربه خطرناک است.
 - ◀ از ابزار برقی و متعلقات خوب مراقبت کنید. مواظب باشید که قسمت های متحرک دستگاه خوب کار کرده و گیر نکنند. همچنین دقت کنید که قطعات ابزار برقی شکسته و یا آسیب دیده نباشند. قطعات آسیب دیده را قبل از شروع به کار تعمیر کنید. علت بسیاری از سوانح کاری، عدم مراقبت کامل از ابزارهای برقی می باشد.
 - ◀ ابزار برش را تیز و تمیز نگه دارید. ابزار برشی که خوب مراقبت شده و از لبه های تیز برخوردار است، کمتر در قطعه کار گیر کرده و بهتر قابل هدایت است.
 - ◀ ابزار برقی، متعلقات، متهای دستگاه و غیره را مطابق دستورات این جزوه راهنما به کار گیرید و به شرایط کاری و نوع کار نیز توجه داشته باشید. استفاده از ابزار برقی برای عملیاتی به جز مقاصد در نظر گرفته شده، میتواند به بروز شرایط خطرناک منجر شود.
 - ◀ دستها و سطوح عایق را همواره خشک، تمیز و عاری از روغن و گریس نگه دارید. دسته های لغزنده مانع ایمنی و کنترل در کار در شرایط غیر منتظره هستند.
 - ◀ مراقبت و طرز استفاده از ابزارهای شارژی
 - ◀ باتریها را منحصراً توسط شارژرهایی که توسط سازنده توصیه شدهاند، شارژ کنید. در صورتی که برای شارژ باتری، آنرا در شارژری قرار دهید که برای آن باتری ساخته نشده است، خطر آتش سوزی وجود دارد.
 - ◀ در ابزارهای برقی فقط از باتریهایی استفاده کنید که برای آن نوع ابزار برقی در نظر گرفته شدهاند. استفاده از باتریهای متفرقه میتواند منجر به بروز جراحت و حریق گردد.
 - ◀ در صورت عدم استفاده از باتری باید آنرا از گیره های فلزی، سکه، کلید، میخ، پیچ و دیگر وسائل کوچک فلزی دور نگه دارید، زیرا این وسائل ممکن است باعث ایجاد اتصالی

محفوظ بدارید. خطر اتصالی و انفجار وجود دارد.

◀ در صورت بلوکه شدن ابزار برقی، آن را خاموش کنید. نسبت به عکسالعملهای شدیدی که منجر به ضربه برگشتی می شوند، آمادگی داشته باشید. چنانچه فشار زیادی به ابزار برقی وارد شود یا در قطعکار گیر کند، ابزار برقی بلوکه می شود.

توضیحات محصول و کارکرد

همه دستورات ایمنی و راهنماییها را بخوانید. اشتباهات ناشی از عدم رعایت این دستورات ایمنی ممکن است باعث برقرافتگی، سوختگی و یا سایر جراحات های شدید شود.



به تصویرهای واقع در بخشهای اول دفترچه راهنما توجه کنید.

موارد استفاده از دستگاه

این ابزار برقی برای پیچ کاری اعم از باز و بسته کردن پیچ ها و همچنین برای دریل کاری در چوب، فلزات، سرامیک و پلاستیک مناسب است. GSB به طور خاص برای سوراخکاری چکشی در آجر، بتن و سنگ در نظر گرفته شده است.

تصاویر اجزاء دستگاه

شماره های اجزاء دستگاه که در تصویر مشاهده میشود، مربوط به شرح ابزار برقی می باشد که تصویر آن در این دفترچه آمده است.

- (1) ابزارگیر
- (2) سه نظام اتوماتیک
- (3) حلقه تنظیم انتخاب گشتاور
- (4) کلید انتخاب نوع عملکرد (GSB)
- (5) کلید انتخاب سرعت
- (6) درپوش
- (7) باتری
- (8) دکمه آزاد سازی باتری
- (9) چراغ / نور کار
- (10) کلید تغییر جهت چرخش
- (11) کلید روشن/خاموش
- (12) دسته (دارای روکش عایق)
- (13) نگهدارنده عمومی مته^A
- (14) چاروبک های زغالی
- (15) دکمه نشانگر وضعیت شارژ
- (16) نشانگر وضعیت شارژ باتری

A) کلیه متعلقاتی که در تصویر و یا در متن آمده است، بطور معمول همراه دستگاه ارائه نمی شود. لطفاً لیست کامل متعلقات را از فهرست برنامه متعلقات اقتباس نمایید.

◀ دریل کاری را همیشه هنگامی که مته با قطعه کار در تماس است و با سرعت پایین آغاز کنید. در سرعتهای بالاتر، ممکن است مته هنگام چرخش در حالت آزاد و بدون تماس با قطعه کار کج شود و باعث وارد آمدن جراحت گردد.

◀ فشار را فقط هم راستا با مته وارد کنید و از وارد کردن فشار زیاد خودداری نمایید. ممکن است مته کج شود و باعث ایجاد شکستگی یا از دست رفتن کنترل و در نتیجه وارد آمدن جراحت گردد.

سایر راهنمایی های ایمنی

◀ ابزار برقی را محکم بگیرید. هنگام سفت و باز کردن پیچها ممکن است گشتاورهای بازگشتی بالایی به طور موقت ایجاد شوند.

◀ قطعه کار را محکم کنید. در صورتیکه قطعه کار به وسیله تجهیزات نگهدارنده و یا بوسیله گیره محکم شده باشد، قطعه کار مطمئن تر نگه داشته میشود، تا اینکه بوسیله دست نگهداشته شود.

◀ برای پیدا کردن لوله ها و سیم های پنهان موجود در ساختمان و محدوده کار، از یک دستگاه ردیاب مخصوص برای یافتن لوله ها و سیمهای تأسیسات استفاده کنید و یا با شرکت های کارهای تأسیسات ساختمان و خدمات مربوطه تماس بگیرید. تماس با کابل و سیمهای برق، ممکن است باعث آتشسوزی و یا برق گرفتگی شود. ایراد و آسیب دیدگی لوله گاز میتواند باعث انفجار شود. سوراخ شدن لوله آب باعث ایجاد خسارت میشود.

◀ قبل از کنار گذاشتن ابزار برقی صبر کنید تا دستگاه بطور کامل از کار و حرکت بایستد. ابزار ممکن است به قطعه کار گیر کرده و کنترل ابزار برقی از دست شما خارج شود.

◀ در صورتیکه باتری آسیب دیده باشد و یا از آن بطور بی رویه استفاده شود، ممکن است از باتری بخارهایی بلند شود. باتری ممکن است آتش بگیرد یا منفجر شود. در این حالت هوای محیط را تازه کنید؛ اگر احساس ناراحتی کردید، به پزشک مراجعه نمایید. استنشاق این بخارها ممکن است به مجاری تنفسی شما آسیب برساند.

◀ باتری را باز نکنید. خطر اتصال کوتاه وجود دارد.

◀ بوسیله ی اشیاء تیز مانند میخ یا پیچگوشنی یا تأثیر نیروی خارجی ممکن است باتری آسیب ببیند. ممکن است اتصالی داخلی رخ دهد و باتری آتش گیرد، دود کند، منفجر شود یا بیش از حد داغ گردد.

◀ تنها از باتری برای محصولات تولیدی شرکت استفاده کنید. فقط در اینصورت باتری در برابر خطر افعال فشار بیش از حد محافظت میشود.

باتری را در برابر حرارت، از جمله در برابر تابش مداوم خورشید و همچنین در برابر آتش، آلودگی، آب و رطوبت



مشخصات فنی

GSB 180-LI	GSR 180-LI	پیچگوشتی شارژی	
3 601 JF8 3..	3 601 JF8 1..	شماره فنی	
18	18	ولتاژ نامی	= ولت
تعداد دور در حالت بدون بار			
0-500	0-500	- دنده 1	¹ min
0-1900	0-1900	- دنده 2	¹ min
0-27 000	-	تعداد ضربه	¹ min
54/21	54/21	حداکثر گشتاور پیچکاری / نرم براساس ISO 5393 ^(A)	Nm
حداکثر قطر سوراخکاری (دنده 1/2)			
35	35	- چوب	mm
10	10	- فولاد	mm
10	-	- ساختار آجری	mm
1,5-13	1,5-13	ابزارگیر	
10	10	حداکثر قطر پیچ	mm
1,7-2,7	1,6-2,6	وزن مطابق با استاندارد EPTA-Procedure 01:2014 ^(A)	kg
0 ... +35	0 ... +35	دمای توصیه شده محیط هنگام شارژ	°C
-20 ... +50	-20 ... +50	دمای مجاز محیط هنگام کار ^(B) و هنگام انبار کردن	°C
GBA 18V... ProCORE18V...	GBA 18V... ProCORE18V...	باتری های توصیه شده	
GAL 18... GAX 18... GAL 36...	GAL 18... GAX 18... GAL 36...	شارژرهای توصیه شده	

(A) بسته به نوع باتری کاربردی
(B) توان محدود برای دمای 0 °C

نصب

◀ قبل از انجام هر گونه کاری با ابزار برقی (از جمله سرویس، تعویض ابزار و غیره) و همچنین به هنگام حمل و نقل و یا در انبار نگهداری کردن، باتری را از داخل ابزار برقی خارج کنید. در صورت تماس اتفاقی با کلید قطع و وصل، خطر آسیب دیدگی وجود دارد.

نحوه شارژ کردن باتری

◀ تنها شارژرهای ذکر شده در مشخصات فنی را بکار برید. تنها این دستگاه های شارژ با باتری های لیتیوم-یونی (Li-Ion) ابزار برقی شما منطبق میباشند.

نکته: باتری با شارژ نسبی ارسال می شود. برای دست یافتن به توان کامل باتری، قبل از بکار گیری آن برای اولین بار باید شارژ باتری بطور کامل در دستگاه شارژ تکمیل شود.

باتری های لیتیوم-یونی (Li-Ion) را میتوان همه وقت شارژ نمود، بدون اینکه از طول عمر آن کاسته شود. قطع کردن جریان شارژ آسیبی به باتری نمیرساند.

باتری های لیتیوم-یونی دارای سیستم حفاظت الکترونیک ("Electronic Cell Protection (ECP)")

بوده و در برابر خالی شدن حفاظت می شوند. اگر باتری خالی شود، ابزار برقی از طریق کلید حفاظتی بطور اتوماتیک خاموش میشود و دستگاه دیگر حرکت نمیکند.

◀ پس از خاموش شدن اتوماتیک ابزار برقی، از فشار دادن مجدد کلید قطع و وصل خودداری کنید. این میتواند باعث آسیب دیدن باتری شود.

به نکات مربوط به نحوه از رده خارج کردن باتری توجه کنید.

نحوه برداشتن باتری

باتری (7) دارای دو مرحله قفل میباشد که این قفلها مانع بیرون افتادن باتری در اثر فشار ناخواسته بر روی دکمه آزاد کننده قفل (8) میشوند. تا زمانی که باتری در داخل ابزار برقی قرار داشته باشد، آن باتری توسط یک فنر در حالت مناسب نگهداری میشود.

برای برداشتن و خارج کردن باتری (7) دکمه آزادسازی باتری (8) را فشار دهید و باتری را از داخل ابزار برقی خارج کنید. هنگام انجام این کار از اعمال فشار خودداری کنید.

- توجه داشته باشید که محل کار شما از تهویه هوای کافی برخوردار باشد.
- توصیه میشود از ماسک تنفسی ایمنی با درجه فیلتر P2 استفاده کنید.
- به قوانین و مقررات معتبر در کشور خود در رابطه با استفاده از مواد و قطعات کاری توجه کنید.
- ◀ **از تجمع گرد و غبار در محل کار جلوگیری کنید.** گرد و غبار می تواند به آسانی مشتعل شوند.

طرز کار با دستگاه

راه اندازی و نحوه کاربرد دستگاه

جاگذاری باتری

نکته: استفاده از از باتریهای نامناسب با ابزار اندازهگیری ممکن است منجر به بروز خطا در عملکرد یا آسیب دیدگی ابزار اندازهگیری شود.

کلید انتخاب جهت چرخش (10) را به وسط برانید تا از روشن شدن ناخواسته جلوگیری کنید. باتری شارژ شده (7) را در دستگیره قرار دهید تا به طور محسوس جا بیفتد و همسطح با دستگیره شود.

نحوه تنظیم جهت چرخش (رجوع کنید به تصویر B)

توسط دکمه تعویض جهت چرخش (10) می توان جهت چرخش ابزار برقی را تغییر داد. هنگامی که کلید قطع و وصل (11) فشرده شده است، این امر ممکن نیست.

گردش به راست: برای سوراخکاری و چرخاندن پیچ ها، کلید تغییر جهت چرخش (10) را تا انتها به چپ فشار دهید.

گردش به چپ: برای چرخاندن و پیچاندن و نیز سفت کردن مهرهها، کلید تغییر جهت چرخش (10) را تا انتها به راست فشار دهید.

تنظیم نوع عملکرد

سوراخکاری

GSR:

حلقه تنظیم انتخاب گشتاور (3) را روی گشتاور دلخواه تنظیم کنید.



GSB:

کلید انتخاب نوع عملکرد (4) را روی علامت "سوراخکاری" قرار دهید.

پیچکاری

GSR:

حلقه تنظیم انتخاب گشتاور (3) را روی علامت "سوراخکاری" قرار دهید.



GSB:

کلید انتخاب نوع عملکرد (4) را روی علامت "پیچکاری" قرار دهید.

سوراخکاری چکشی (GSB)

کلید انتخاب نوع عملکرد (4) را روی علامت "سوراخکاری چکشی" قرار دهید.



روشن/خاموش کردن

برای راه اندازی ابزار برقی، کلید قطع و وصل (11) را فشار داده و آنرا در حالت فشرده نگاهدارید.

نمایشگر وضعیت شارژ باتری

چراغهای سبز LED نشانگر وضعیت شارژ باتری (16) وضعیت شارژ باتری (7) را نشان میدهند. به دلایل ایمنی، فراخوانی وضعیت شارژ باتری تنها در حالت توقف ابزار برقی ممکن است.

دکمه نشانگر وضعیت شارژ (15) را فشار دهید تا وضعیت شارژ نمایش داده شود. این کار هنگامی که باتری برداشته شده باشد نیز ممکن است.

اگر بعد از فشار دادن دکمه نشانگر وضعیت شارژ (15) هیچ چراغ LED روشن نشد، باتری خراب است و باید تعویض گردد.

مدل باتری 18V GBA... (رجوع کنید به تصویر D1)

ظرفیت	ال ای دی ها
60-100 %	3 چراغ ممتد سبز
30-60 %	2 چراغ ممتد سبز
5-30 %	1 چراغ ممتد سبز
0-5 %	3 چراغ چشمک زن سبز

مدل باتری 18V ProCORE... (رجوع کنید به تصویر D2)

ظرفیت	ها LED
80-100 %	5 چراغ ممتد سبز
60-80 %	4 چراغ ممتد سبز
40-60 %	3 چراغ ممتد سبز
20-40 %	2 چراغ ممتد سبز
5-20 %	1 چراغ ممتد سبز
0-5 %	1 چراغ چشمک زن سبز

تعویض ابزار (رجوع کنید به تصویر A)

◀ قبل از انجام هر گونه کاری با ابزار برقی (از جمله سرویس، تعویض ابزار و غیره) و همچنین به هنگام حمل و نقل و یا در انبار نگهداری کردن، باتری را از داخل ابزار برقی خارج کنید. در صورت تماس اتفاقی با کلید قطع و وصل، خطر آسیب دیدگی وجود دارد.

سه نظام سریع (2) را با چرخاندن در جهت 1 باز کنید تا ابزار قرارگیرد. ابزار را جا گذاری کنید.

بوش نگهدارنده سه نظام مهار سریع (2) را محکم با دست در جهت 2 بچرخانید. اینگونه سه نظام به طور اتوماتیک قفل می شود.

مکش گرد، براده و تراشه

گرد و غبار موادی مانند رنگ های دارای سرب، بعضی از چوب ها، مواد معدنی و فلزات میتوانند برای سلامتی مضر باشند. دست زدن و یا تنفس کردن گرد و غبار ممکن است باعث بروز آلرژی و یا بیماری مجاری تنفسی شخص استفاده کننده و یا افرادی که در آن نزدیکی میباشند، بشود.

گرد و غبارهای مخصوصی مانند گرد و غبار درخت بلوط و یا درخت راش سرطان زا هستند، بخصوص ترکیب آنها با سایر موادی که برای کار بر روی چوب (کرومات، مواد برای محافظت از چوب) بکار برده میشوند. فقط افراد متخصص مجازند با موادی که دارای آزیست میباشند کار کنند.

◀ چنانچه عملکرد Kickback Control خراب باشد، ابزار برقی دیگر روشن نمی شود. برای تعمیر ابزار برقی فقط از متخصصین حرفه‌ای و قطعات یدکی اصل استفاده کنید.

نکات عملی

- ◀ کلید انتخاب سرعت را فشار دهید یا کلید انتخاب نوع عملکرد را همیشه تا انتها برانید. در غیر این صورت امکان آسیب دیدن ابزار برقی وجود دارد.
- ◀ ابزار برقی را تنها در حالت خاموش روی پیچ و یا مهره قرار دهید. امکان لغزش ابزار در حال چرخش وجود دارد.
- جهت جدا کردن سر پیچ و نگهدارنده ی سر پیچ نباید از ابزار کمکی استفاده گردد.
- ◀ کار کردن در محیط دارای گرد و غبار ممکن است منجر به خاموش شدن ابزار برقی گردد. چنانچه ابزار برقی ناگهان خاموش شد، زغالهای موتور را درآورید و آن را کنترل کنید (رجوع کنید به بخش).

مراقبت و سرویس

مراقبت، تعمیر و تمیز کردن دستگاه

- ◀ قبل از انجام هر گونه کاری با ابزار برقی (از جمله سرویس، تعویض ابزار و غیره) و همچنین به هنگام حمل و نقل و یا در انبار نگهداری کردن، باتری را از داخل ابزار برقی خارج کنید. در صورت تماس اتفاقی با کلید قطع و وصل، خطر آسیب دیدگی وجود دارد.
- ◀ ابزار الکتریکی و شیارهای تهویه آنرا تمیز نگاه دارید، تا ایمنی شما در کار تضمین گردد.

تعویض جاروبکهای زغالی (رجوع کنید به تصویر C)

- طول جاروبک های زغالی را تقریباً هر 2-3 ماه بررسی کنید و در صورت لزوم هر دو را تعویض کنید. هرگز فقط به تعویض یکی از آنها اکتفا نکنید!
- نکته:** فقط از جاروبک های زغالی استفاده کنید که در رابطه با محصول شما از طرف بوش توصیه شده‌اند.
- درپوش ها (6) را به وسیله یک پیچگوشی مناسب باز کنید.
- جاروبک های زغالی (14) را که تحت فشار فنر قرار دارند تعویض کنید و دوباره درپوشها را ببندید. در صورتی که باتری دیگر قابل استفاده نباشد، لطفاً به خدمات پس از فروش مجاز ابزار آلات برقی بوش مراجعه نمایید.

خدمات و مشاوره با مشتریان

خدمات مشتری، به سئوالات شما درباره تعمیرات، سرویس و همچنین قطعات یدکی پاسخ خواهد داد. نقشه‌های سه بعدی و اطلاعات مربوط به قطعات یدکی را در تارنمای زیر مییابید:

www.bosch-pt.com

گروه مشاوره به مشتریان Bosch با کمال میل به

چراغهای LED (9) هنگام وارد کردن فشار کم یا کامل به کلید روشن/خاموش (11) روشن میشود و محیط کار را در صورت عدم وجود شرایط مناسب نور، روشن میکند.

برای خاموش کردن ابزار برقی، کلید قطع و وصل (11) را رها کنید.

تنظیم سرعت (دور موتور)

سرعت ابزار برقی را می توان با فشردن دلخواه کلید قطع و وصل (11) تنظیم کرد.

فشار کم روی کلید قطع و وصل (11) سرعت کاهش مییابد. افزایش فشار بر روی کلید قطع و وصل باعث افزایش سرعت میشود.

انتخاب گشتاور

به کمک حلقه تنظیم انتخاب گشتاور (3) می توان گشتاور لازم را در 20 درجه انتخاب کرد. به محض رسیدن به گشتاور تنظیم شده، ابزار مورد استفاده متوقف می شود.

انتخاب مکانیکی دنده

◀ کلید انتخاب دنده (5) را میتوان هنگام توقف یا ابزار در حال کار فعال کرد. البته نباید این کار را هنگام زیر بار بودن یا سرعت بالا انجام داد.

دنده ا:

ممدوده سرعت پائین، برای ایجاد سوراخهای دارای قطر زیاد و یا برای عملیات پیچکاری.

دنده اا:

ممدوده سرعت بالا، برای کار با مته های کم قطر.

محافظ بار اضافی وابسته به دما

در صورت استفاده اصولی، ممکن است فشاری به ابزار برقی وارد نشود. در صورت فشار زیاد یا خارج شدن از محدوده دمای مجاز باتری، ابزار برقی خاموش می شود و چراغ LED روی ابزار برقی چشمک می زند. قبل از ادامه کار، بگذارید ابزار برقی خنک شود.

حفاظت در برابر تخلیه کامل باتری

باتری های لیتیوم-یونی دارای سیستم حفاظت الکترونیکی "Electronic Cell Protection (ECP)" بوده و در برابر خالی شدن حفاظت می شوند. اگر باتری خالی شود، ابزار برقی از طریق کلید حفاظتی بطور اتوماتیک خاموش میشود و دستگاه دیگر حرکت نمیکند.

قطع سریع (KickBack Control)

قطع سریع (KickBack Control) کنترل بهتری را روی ابزار برقی فراهم می کند و اینگونه حفاظت کاربر را نسبت با ابزارهای برقی بدون KickBack Control تأمین می کند.



کند. هنگام چرخش ناگهانی و غیر قابل پیش بینی ابزار برقی حول محور مته، ابزار برقی خاموش می شود.

قطع سریع از طریق چشمک زدن LED روی ابزار برقی نمایش داده میشود.

برای راه اندازی دوباره کلید قطع و وصل را رها کنید و آن را دوباره فشار دهید.

سؤالات شما درباره محصولات و متعلقات پاسخ می دهند.

برای هرگونه سؤال و یا سفارش قطعات یدکی، حتماً شماره فنی 10 رقمی کالا را مطابق برچسب روی ابزار برقی اطلاع دهید.

ایران

روبرت بوش ایران - شرکت بوش تجارت پارس
میدان ونک، خیابان شهید خدای، خیابان آفتاب
ساختمان مادیران، شماره 3، طبقه سوم.
تهران 1994834571
تلفن: 9821+ 42039000

حمل دستگاه

باتریهای لیتیوم-یونی تابع مقررات حمل کالاهای پر خطر می باشند. کاربر می تواند باتریها را بدون استفاده از روکش در خیابان حمل کند.
در صورت ارسال توسط شخص ثالث (مانند: حمل و نقل هوایی یا زمینی) باید تمهیدات مربوط به بسته بندی و علامتگذاری مورد توجه قرار گیرد. در اینصورت باید حتماً جهت آماده سازی قطعه ارسالی به کارشناس حمل کالاهای پر خطر مراجعه کرد.
باتریها را فقط در صورتی ارسال کنید که بدنه آنها آسیب ندیده باشد. اتصالات (کنتاکتهای) باز را بپوشانید و باتری را طوری بسته بندی کنید که در بسته بندی تکان نخورد. در این باره لطفاً به مقررات و آیین نامه های ملی توجه کنید.

از رده خارج کردن دستگاه

ابزارهای برقی، باتری ها، متعلقات و بسته بندی ها، باید طبق مقررات حفظ محیط زیست از رده خارج و بازیافت شوند.
ابزار برقی و باتری ها/ باتری های قابل شارژ را داخل زباله دان خانگی نیندازید!





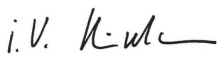
باتریهای شارژی/قلمی:

لیتیوم-یونی:

لطفاً به تذکرات بخش (رجوع کنید به „حمل دستگاه“، صفحه 86) توجه کنید.

de	EU-Konformitätserklärung Akku-Bohr- schrauber	Sachnummer	Wir erklären in alleiniger Verantwortung, dass die genannten Produkte allen einschlägigen Bestimmungen der nachfolgend aufgeführten Richtlinien und Verordnungen entsprechen und mit folgenden Normen übereinstimmen. Technische Unterlagen bei: *
en	EU Declaration of Conformity Cordless drill/ driver	Article number	We declare under our sole responsibility that the stated products comply with all applicable provisions of the directives and regulations listed below and are in conformity with the following standards. Technical file at: *
fr	Déclaration de conformité UE Perceuse- visseuse sans fil	N° d'article	Nous déclarons sous notre propre responsabilité que les produits décrits sont en conformité avec les directives, règlements normatifs et normes énumérés ci-dessous. Dossier technique auprès de : *
es	Declaración de conformidad UE Atornilladora taladradora accionada por acumulador	Nº de artículo	Declaramos bajo nuestra exclusiva responsabilidad, que los productos nombrados cumplen con todas las disposiciones correspondientes de las Directivas y los Reglamentos mencionados a continuación y están en conformidad con las siguientes normas. Documentos técnicos de: *
pt	Declaração de Conformidade UE Aparafusadora/ berbequim sem fio	N.º do produto	Declaramos sob nossa exclusiva responsabilidade que os produtos mencionados cumprem todas as disposições e os regulamentos indicados e estão em conformidade com as seguintes normas. Documentação técnica pertencente à: *
it	Dichiarazione di conformità UE Trapano- avvitatore a batteria	Codice prodotto	Dichiariamo sotto la nostra piena responsabilità che i prodotti indicati sono conformi a tutte le disposizioni pertinenti delle Direttive e dei Regolamenti elencati di seguito, nonché alle seguenti Normative. Documentazione Tecnica presso: *
nl	EU-conformiteitsverklaring Accuschroefboor- machine	Productnummer	Wij verklaren op eigen verantwoordelijkheid dat de genoemde producten voldoen aan alle desbetreffende bepalingen van de hierna genoemde richtlijnen en verordeningen en overeenstemmen met de volgende normen. Technisch dossier bij: *
da	EU-overensstemmelseserklæring Akku-bore-/ skruemaskine	Typenummer	Vi erklærer som eneansvarlige, at det beskrevne produkt er i overensstemmelse med alle gældende bestemmelser i følgende direktiver og forordninger og opfylder følgende standarder. Tekniske bilag ved: *
sv	EU-konformitetsförklaring Sladdlös skruvdragare	Produktnummer	Vi förklarar under eget ansvar att de nämnda produkterna uppfyller kraven i alla gällande bestämmelser i de nedan angivna direktiven och förordningarna och att de stämmer överens med följande normer. Teknisk dokumentation: *
no	EU-samsvarserklæring Batteridrevet bor-/skrumaskin	Produktnummer	Vi erklærer under eneansvar at de nevnte produktene er i overensstemmelse med alle relevante bestemmelser i direktivene og forordningene nedenfor og med følgende standarder. Teknisk dokumentasjon hos: *
fi	EU-vaatimustenmukaisuusvakuutus Akkuporakone	Tuotenumero	Vakuutamme täten, että mainitut tuotteet vastaavat kaikkia seuraavien direktiivien ja asetusten asiaankuuluvia vaatimuksia ja ovat seuraavien standardien vaatimusten mukaisia. Tekniset asiakirjat saatavana: *
el	Δήλωση πιστότητας ΕΕ Δραπανοκατάρ- βιδο μπαταρίας	Αριθμός ευρετηρίου	Δηλώνουμε με αποκλειστική μας ευθύνη, ότι τα αναφερόμενα προϊόντα αντιστοιχούν σε όλες τις σχετικές διατάξεις των πιο κάτω αναφερόμενων οδηγιών και κανονισμών και ταυτίζονται με τα ακόλουθα πρότυπα. Τεχνικά έγγραφα στη: *
tr	AB Uygunluk beyanı Akülü delme/ vidalama makinesi	Ürün kodu	Tek sorumlu olarak, tanımlanan ürünün aşağıdaki yönetmelik ve direktiflerin geçerli bütün hükümlerine ve aşağıdaki standartlara uygun olduğunu beyan ederiz. Teknik belgelerin bulunduğu yer: *

pl	Deklaracja zgodności UE Wiertarko- wkrętarka akumulatorowa	Numer katalogowy	Oświadczamy z pełną odpowiedzialnością, że niniejsze produkty odpowiadają wszystkim wymaganiom poniżej wyszczególnionych dyrektyw i rozporządzeń, oraz że są zgodne z następującymi normami. Dokumentacja techniczna: *
cs	EU prohlášení oshodě Akumulátorový vrtací šroubovák	Objednací číslo	Prohlašujeme na výhradní zodpovědnost, že uvedený výrobek splňuje všechny příslušná ustanovení níže uvedených směrnic a nařízení a je v souladu s následujícími normami: Technické podklady u: *
sk	EÚ vyhlásenie ozhode Akumulátorový vrtáč skrutkovač	Vecné číslo	Vyhlasujeme na výhradnú zodpovednosť, že uvedený výrobok spĺňa všetky príslušné ustanovenia nižšie uvedených smerníc a nariadení a je v súlade s nasledujúcimi normami: Technické podklady má spoločnosť: *
hu	EU konformitási nyilatkozat Akkumulátoros fűrő-/ csavarozógép	Cikkszám	Egyedüli felelősséggel kijelentjük, hogy a megnevezett termékek megfelelnek az alábbiakban felsorolásra kerülő irányelvek és rendeletek valamennyi idevágó előírásainak és megfelelnek a következő szabványoknak. Műszaki dokumentumok megőrzési pontja: *
ru	Заявление о соответствии ЕС Дрель- шурупверт	Товарный NO	Мы заявляем под нашу единоличную ответственность, что названные продукты соответствуют всем действующим предписаниям нижеуказанных директив и распоряжений, а также нижеуказанных норм. Техническая документация хранится у: *
uk	Заява про відповідність ЄС Акумуляторний дріль- шурупокрут	Товарний номер	Мизаявляємо під нашу одноособову відповідальність, що названі вироби відповідають усім чинним положенням нищеозначених директив і розпоряджень, а також нищеозначеним нормам. Технічна документація зберігається у: *
kk	ЕО сәйкестік мағлұмдамасы Акумуляторлық дрель-шуруп бұрауыш	Өнім нөмірі	Өз жауапкершілікпен біз аталған өнімдер төменде жазылған директикалар мен жарлықтардың тиісті қағидаларына сәйкестігін және төмендегі нормаларға сай екенін білдіреміз. Техникалық құжаттар: *
ro	Declarație de conformitate UE Mașină de găurit și înșurubat cu acumulator	Număr de identificare	Declarăm pe proprie răspundere că produsele menționate corespund tuturor dispozițiilor relevante ale directivelor și reglementărilor enumerate în cele ce urmează și sunt în conformitate cu următoarele standarde. Documentație tehnică la: *
bg	ЕС декларация за съответствие Акумуляторен винтоверт	Каталожен номер	С пълна отговорност ние декларираме, че посочените продукти отговарят на всички валидни изисквания на директивите и разпоредбите по-долу и съответства на следните стандарти. Техническа документация при: *
mk	EU-Изјава за сообразност Батериска дупчалка- одвртувач	Број на дел/артикл	Со целосна одговорност изјавуваме, дека опишаните производи се во согласност со сите релевантни одредби на следните регулативи и прописи и се во согласност со следните норми. Техничка документација кај: *
sr	EU-izjava o usaglašenosti Akumulatorska bušilica-odvrtać	Broj predmeta	Na sopstvenu odgovornost izjavljujemo, da navedeni proizvodi odgovaraju svim dotičnim odredbama naknadno navedenih smernica u uredaba i da su u skladu sa sledećim standardima. Tehnička dokumentacija kod: *
sl	Izjava o skladnosti EU Akumulatorski vrtalni vijčnik	Številka artikla	Izjavljamo pod izključno odgovornostjo, da je omenjen izdelek v skladu z vsemi relevantnimi določili direktiv in uredb ter ustreza naslednjim standardom. Tehnična dokumentacija pri: *
hr	EU izjava o sukladnosti Akumulatora urbjmašina – skrúvgriezis	Kataloški br.	Pod punom odgovornošću izjavljujemo da navedeni proizvodi odgovaraju svim relevantnim odredbama direktiva i propisima navedenima u nastavku i da su sukladni sa sljedećim normama. Tehnička dokumentacija se može dobiti kod: *

et EL-vastavusdeklaratsioon		Kinnitame ainuvastutajatena, et nimetatud tooted vastavad järgnevalt loetletud direktiivide ja määruste kõikidele asjaomastele nõuetele ja on kooskõlas järgmiste normidega. Tehnilised dokumendid saadaval: *	
Akutrell-kruvi-keeraja	Tootenumber		
lv Deklarācija par atbilstību ES standartiem		Mēs ar pilnu atbildību paziņojam, ka šeit aplūkoti izstrādājumi atbilst visiem tālāk minētajās direktīvās un rīkojumos ietvertajām saistošajām nostādņēm, kā arī sekojošiem standartiem. Tehnikā dokumentācija no: *	
Akumulatora skrūvgriezis	Izstrādājuma numurs		
lt ES atitikties deklaracija		Atsakingai pareiškiame, kad išvardyti gaminiai atitinka visus privalomus žemiau nurodytų direktyvų ir reglamentų reikalavimus ir šiuos standartus. Techninė dokumentacija saugoma: *	
Akumulatorinis gręžtuvas-suktuvus	Gaminio numeris		
GSR 180-LI	3 601 JF8 1..	2006/42/EC	EN 62841-1:2015
GSB 180-LI	3 601 JF8 3..	2014/30/EU	EN 62841-2-1:2018
		2011/65/EU	EN 55014-1:2017
			EN 55014-2:2015
			EN 50581:2012
		 BOSCH	* Robert Bosch Power Tools GmbH (PT/ECS) 70538 Stuttgart GERMANY
		Henk Becker Chairman of Executive Management	Helmut Heinzelmann Head of Product Certification
			
		Robert Bosch Power Tools GmbH, 70538 Stuttgart, GERMANY Stuttgart, 01.07.2019	