

Robert Bosch Power Tools GmbH  
70538 Stuttgart  
GERMANY

[www.bosch-pt.com](http://www.bosch-pt.com)

1 609 92A 4VG (2019.01) PS / 89



1 609 92A 4VG

# GBH Professional

2-24 RE | 2-24 DRE | 2-24 DFR



**BOSCH**

en Original instructions

fr Notice originale

pt Manual original

zh 正本使用说明书

zh 原始使用說明書

ko 사용 설명서 원본

th หนังสือคู่มือการใช้งานฉบับ

ต้นแบบ

id Petunjuk-Petunjuk untuk Penggun-

aan Orisinal

vi Bản gốc hướng dẫn sử dụng

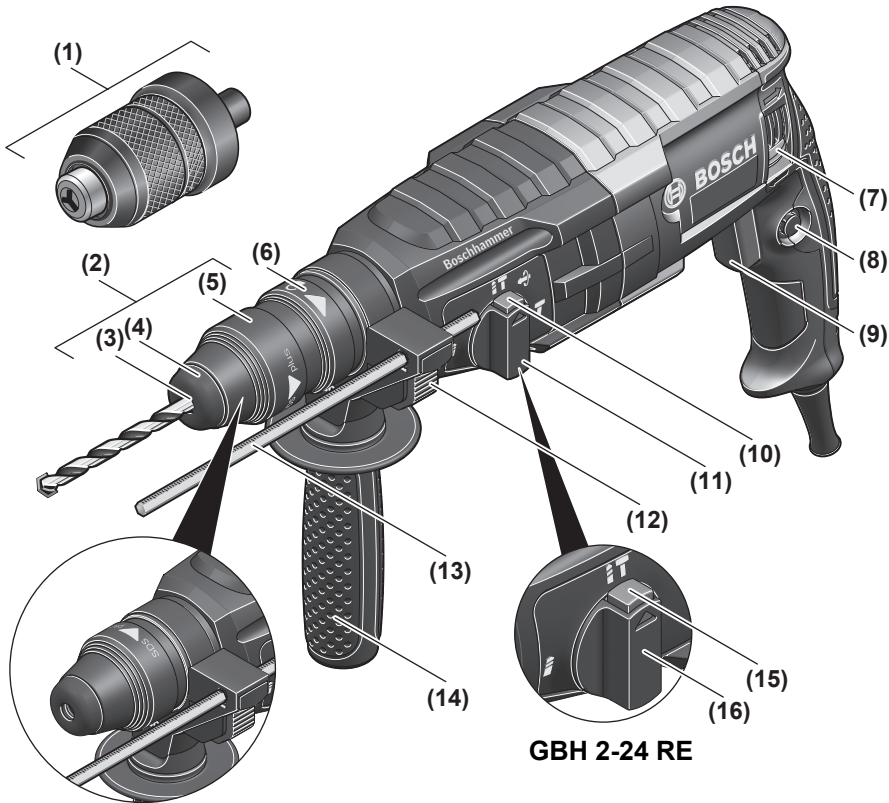
ar دليل التشغيل الأصلي

fa دفترچه راهنمای اصلی

English .....	Page	6
Français .....	Page	15
Português .....	Página	22
中文 .....	頁	29
繁體中文 .....	頁	35
한국어 .....	페이지	41
ไทย .....	หน้า	48
Bahasa Indonesia .....	Halaman	56
Tiếng Việt .....	Trang	63
عربي .....	الصفحة	71
آفارسی .....	صفحه	79
<b>CE</b> .....		I

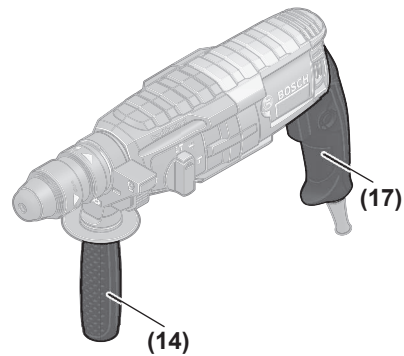


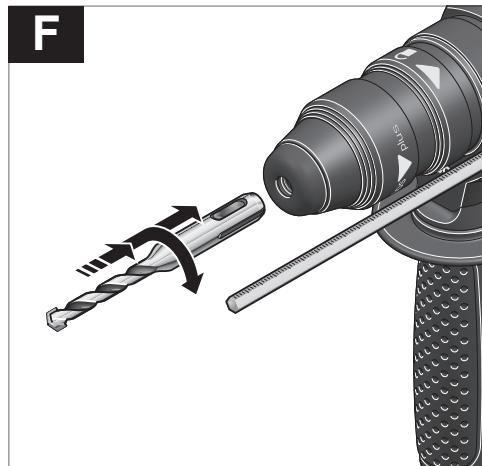
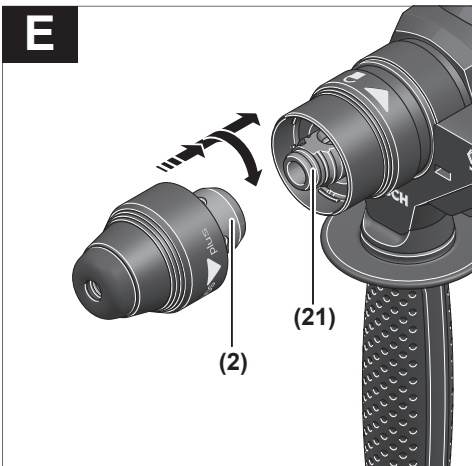
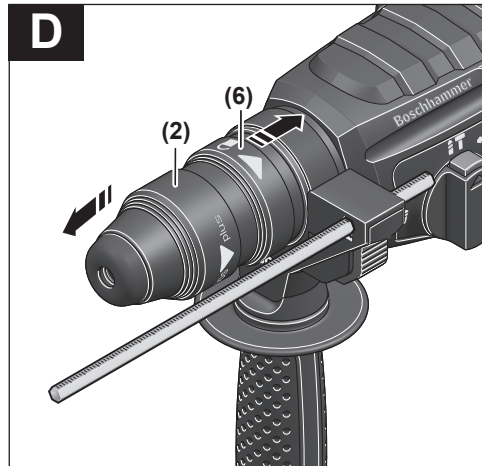
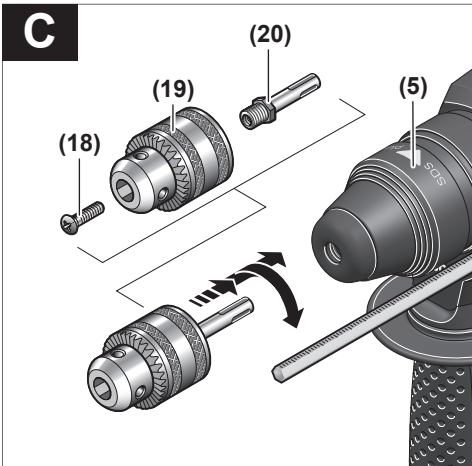
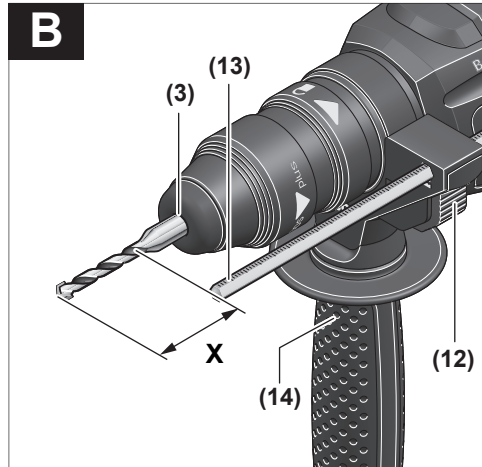
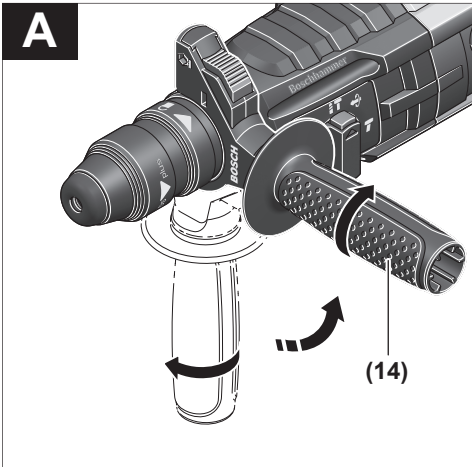
**GBH 2-24 DFR**



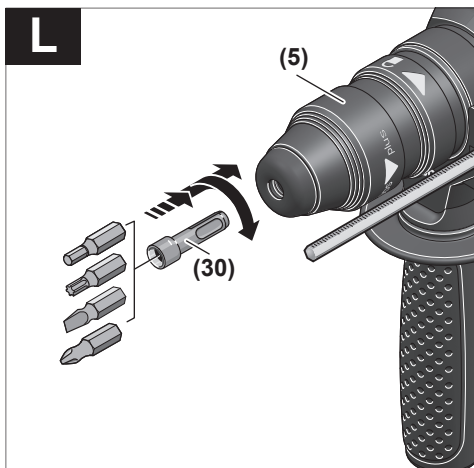
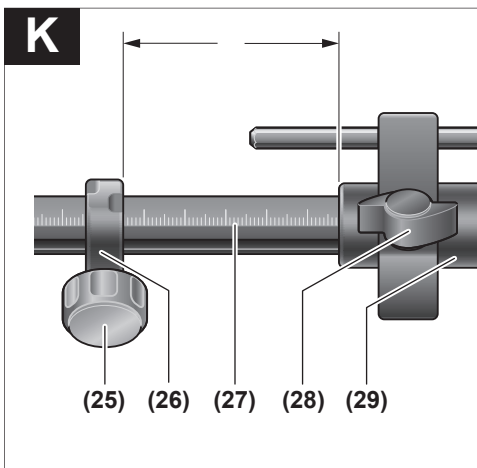
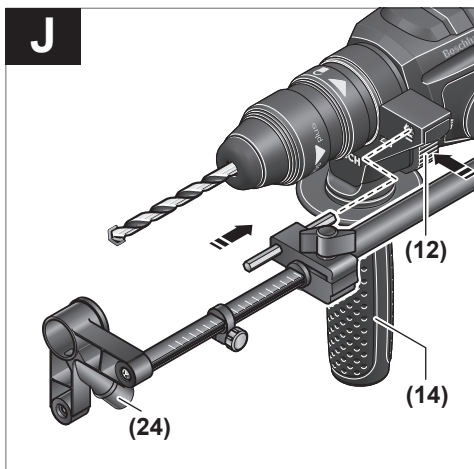
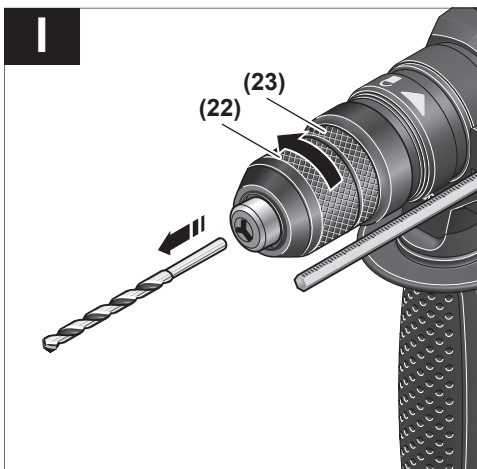
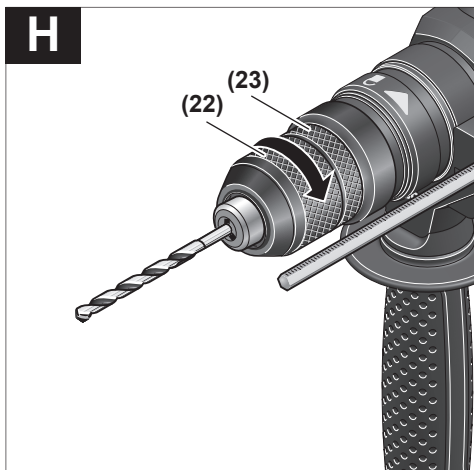
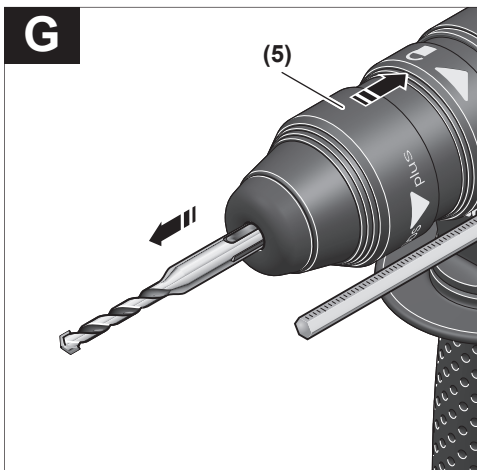
**GBH 2-24 RE  
GBH 2-24 DRE**

**GBH 2-24 RE**









# English

## Safety instructions

### General Power Tool Safety Warnings

**⚠ WARNING** **Read all safety warnings and all instructions.** Failure to follow the warnings and instructions may result in electric shock, fire and/or serious injury.

#### Save all warnings and instructions for future reference.

The term "power tool" in the warnings refers to your mains-operated (corded) power tool or battery-operated (cordless) power tool.

#### Work area safety

- ▶ **Keep work area clean and well lit.** Cluttered or dark areas invite accidents.
- ▶ **Do not operate power tools in explosive atmospheres, such as in the presence of flammable liquids, gases or dust.** Power tools create sparks which may ignite the dust or fumes.
- ▶ **Keep children and bystanders away while operating a power tool.** Distractions can cause you to lose control.

#### Electrical safety

- ▶ **Power tool plugs must match the outlet. Never modify the plug in any way. Do not use any adapter plugs with earthed (grounded) power tools.** Unmodified plugs and matching outlets will reduce risk of electric shock.
- ▶ **Avoid body contact with earthed or grounded surfaces, such as pipes, radiators, ranges and refrigerators.** There is an increased risk of electric shock if your body is earthed or grounded.
- ▶ **Do not expose power tools to rain or wet conditions.** Water entering a power tool will increase the risk of electric shock.
- ▶ **Do not abuse the cord. Never use the cord for carrying, pulling or unplugging the power tool. Keep cord away from heat, oil, sharp edges or moving parts.** Damaged or entangled cords increase the risk of electric shock.
- ▶ **When operating a power tool outdoors, use an extension cord suitable for outdoor use.** Use of a cord suitable for outdoor use reduces the risk of electric shock.
- ▶ **If operating a power tool in a damp location is unavoidable, use a residual current device (RCD) protected supply.** Use of an RCD reduces the risk of electric shock.

#### Personal safety

- ▶ **Stay alert, watch what you are doing and use common sense when operating a power tool. Do not use a power tool while you are tired or under the influence of drugs, alcohol or medication.** A moment of inattention while operating power tools may result in serious personal injury.

- ▶ **Use personal protective equipment. Always wear eye protection.** Protective equipment such as dust mask, non-skid safety shoes, hard hat, or hearing protection used for appropriate conditions will reduce personal injuries.
- ▶ **Prevent unintentional starting. Ensure the switch is in the off-position before connecting to power source and/or battery pack, picking up or carrying the tool.** Carrying power tools with your finger on the switch or energising power tools that have the switch on invites accidents.
- ▶ **Remove any adjusting key or wrench before turning the power tool on.** A wrench or a key left attached to a rotating part of the power tool may result in personal injury.
- ▶ **Do not overreach. Keep proper footing and balance at all times.** This enables better control of the power tool in unexpected situations.
- ▶ **Dress properly. Do not wear loose clothing or jewellery. Keep your hair, clothing and gloves away from moving parts.** Loose clothes, jewellery or long hair can be caught in moving parts.
- ▶ **If devices are provided for the connection of dust extraction and collection facilities, ensure these are connected and properly used.** Use of dust collection can reduce dust-related hazards.

#### Power tool use and care

- ▶ **Do not force the power tool. Use the correct power tool for your application.** The correct power tool will do the job better and safer at the rate for which it was designed.
- ▶ **Do not use the power tool if the switch does not turn it on and off.** Any power tool that cannot be controlled with the switch is dangerous and must be repaired.
- ▶ **Disconnect the plug from the power source and/or the battery pack from the power tool before making any adjustments, changing accessories, or storing power tools.** Such preventive safety measures reduce the risk of starting the power tool accidentally.
- ▶ **Store idle power tools out of the reach of children and do not allow persons unfamiliar with the power tool or these instructions to operate the power tool.** Power tools are dangerous in the hands of untrained users.
- ▶ **Maintain power tools. Check for misalignment or binding of moving parts, breakage of parts and any other condition that may affect the power tool's operation. If damaged, have the power tool repaired before use.** Many accidents are caused by poorly maintained power tools.
- ▶ **Keep cutting tools sharp and clean.** Properly maintained cutting tools with sharp cutting edges are less likely to bind and are easier to control.
- ▶ **Use the power tool, accessories and tool bits etc. in accordance with these instructions, taking into account the working conditions and the work to be performed.**

**formed.** Use of the power tool for operations different from those intended could result in a hazardous situation.

### Service

- ▶ **Have your power tool serviced by a qualified repair person using only identical replacement parts.** This will ensure that the safety of the power tool is maintained.

### Hammer Safety Warnings

- ▶ **Wear ear protectors.** Exposure to noise can cause hearing loss.
- ▶ **Use auxiliary handle(s), if supplied with the tool.** Loss of control can cause personal injury.
- ▶ **Hold power tool by insulated gripping surfaces when performing an operation where the cutting accessory or fastener may contact hidden wiring or its own cord.** Cutting accessory and fasteners contacting a "live" wire may make exposed metal parts of the power tool "live" and could give the operator an electric shock.
- ▶ **Use suitable detectors to determine if utility lines are hidden in the work area or call the local utility company for assistance.** Contact with electric lines can lead to fire and electric shock. Damaging a gas line can lead to explosion. Penetrating a water line causes property damage or may cause an electric shock.
- ▶ **Always wait until the power tool has come to a complete stop before placing it down.** The application tool can jam and cause you to lose control of the power tool.
- ▶ **Secure the workpiece.** A workpiece clamped with clamping devices or in a vice is held more secure than by hand.

### Products sold in GB only:

Your product is fitted with an BS 1363/A approved electric plug with internal fuse (ASTA approved to BS 1362).

If the plug is not suitable for your socket outlets, it should be cut off and an appropriate plug fitted in its place by an authorised customer service agent. The replacement plug should have the same fuse rating as the original plug.

The severed plug must be disposed of to avoid a possible shock hazard and should never be inserted into a mains socket elsewhere.

## Product Description and Specifications



### Read all the safety and general instructions.

Failure to observe the safety and general instructions may result in electric shock, fire and/or serious injury.

Please observe the illustrations at the beginning of this operating manual.

### Intended Use

#### GBH 2-24 RE

The power tool is intended for hammer drilling in concrete, brick and stone. It is also suitable for drilling without impact in wood, metal, ceramic and plastic. Power tools with elec-

tronic control and clockwise/anti-clockwise rotation are also suitable for screwdriving.

#### GBH 2-24 DRE/DFR

The power tool is intended for hammer drilling in concrete, brick and stone, as well as light chiselling work. It is also suitable for drilling without impact in wood, metal, ceramic and plastic. Power tools with electronic control and clockwise/anti-clockwise rotation are also suitable for screwdriving.

### Product Features

The numbering of the product features refers to the diagram of the power tool on the graphics page.

- (1) Keyless quick-change chuck (GBH 2-24 DFR)
- (2) SDS-plus quick-change chuck (GBH 2-24 DFR)
- (3) SDS-plus tool holder
- (4) Dust protection cap
- (5) Locking sleeve
- (6) Locking ring for quick-change chuck (GBH 2-24 DFR)
- (7) Rotational direction switch
- (8) Lock-on button for on/off switch
- (9) On/off switch
- (10) Release button for impact/mode selector switch (GBH 2-24 DRE, GBH 2-24 DFR)
- (11) Impact/mode selector switch (GBH 2-24 DRE, GBH 2-24 DFR)
- (12) Button for depth stop adjustment
- (13) Depth stop
- (14) Auxiliary handle (insulated gripping surface)
- (15) Release button for "drilling/hammer drilling" selector switch (GBH 2-24 RE)
- (16) "Drilling/hammer drilling" selector switch (GBH 2-24 RE)
- (17) Handle (insulated gripping surface)
- (18) Securing screw for keyed chuck <sup>A)</sup>
- (19) Keyed chuck <sup>A)</sup>
- (20) SDS-plus shank for drill chuck <sup>A)</sup>
- (21) Drill chuck holder (GBH 2-24 DFR)
- (22) Front sleeve of the keyless quick-change chuck (GBH 2-24 DFR)
- (23) Retaining ring of the keyless quick-change chuck (GBH 2-24 DFR)
- (24) Dust extraction attachment suction opening <sup>A)</sup>
- (25) Dust extraction attachment clamping screw <sup>A)</sup>
- (26) Dust extraction attachment depth stop <sup>A)</sup>
- (27) Dust extraction attachment telescopic tube <sup>A)</sup>
- (28) Dust extraction attachment wing bolt <sup>A)</sup>
- (29) Dust extraction attachment guide tube <sup>A)</sup>

(30) Universal bit holder with SDS-plus shank

A) Accessories shown or described are not included with the product as standard. You can find the complete selection of accessories in our accessories range.

## Technical Data

Rotary hammer		GBH 2-24 RE	GBH 2-24 DRE	GBH 2-24 DFR
Article number		<b>3 611 B72 0..</b>	<b>3 611 B72 1..</b>	<b>3 611 B73 0..</b>
Speed control		●	●	●
Stop rotation		-	●	●
Clockwise/anti-clockwise rotation		●	●	●
Quick-change chuck		-	-	●
Rated power input	W	790	790	790
Impact rate	min-1	0-4200	0-4200	0-4200
Impact energy per stroke according to EPTA-Procedure 05:2016	J	2.7	2.7	2.7
Rated speed	min-1	0-930	0-930	0-930
Tool holder		SDS-plus	SDS-plus	SDS-plus
Spindle collar diameter	mm	48.5	48.5	48.5
Max. drilling diameter				
- Concrete	mm	24	24	24
- Masonry (with hollow core bit)	mm	68	68	68
- Steel	mm	13	13	13
- Wood	mm	30	30	30
Weight according to EPTA-Procedure 01:2014	kg	2.8	2.8	2.9
Protection class		□/II	□/II	□/II

The specifications apply to a rated voltage [U] of 230 V. These specifications may vary at different voltages and in country-specific models.

## Noise/Vibration Information

Noise emission values determined according to **EN 60745-2-6**.

Typically, the A-weighted noise level of the power tool is: Sound pressure level **92,5 dB(A)**; sound power level **103,5 dB(A)**. Uncertainty K = **3 dB**.

### Wear hearing protection

Total vibration values  $a_h$  (tri-ax vector sum) and uncertainty K determined according to **EN 60745-2-6**:

Hammer drilling into concrete:  $a_h = 13,1 \text{ m/s}^2$ ,  $K = 1,5 \text{ m/s}^2$ ,  
Chiselling:  $a_h = 13,9 \text{ m/s}^2$ ,  $K = 1,5 \text{ m/s}^2$ ,

The vibration level given in these instructions has been measured in accordance with a standardised measuring procedure and may be used to compare power tools. It can also be used for a preliminary estimation of exposure to vibration.

The stated vibration level applies to the main applications of the power tool. However, if the power tool is used for different applications, with different application tools or poorly maintained, the vibration level may differ. This can significantly increase the exposure to vibration over the total working period.

To estimate the exposure to vibration accurately, the times when the tool is switched off or when it is running but not actually being used should also be taken into account. This can significantly reduce the exposure to vibration over the total working period.

Implement additional safety measures to protect the operator from the effects of vibration, such as servicing the power tool and application tools, keeping the hands warm, and organising workflows correctly.

## Assembly

- ▶ **Pull the plug out of the socket before carrying out any work on the power tool.**

### Auxiliary handle

**Do not operate your power tool without the auxiliary handle (14).**

#### Swivelling the auxiliary handle (see figure A)

You can swivel the auxiliary handle (14) to any angle for a safe work posture that minimises fatigue.

- Turn the lower gripping end of the auxiliary handle (14) anticlockwise and swivel the auxiliary handle (14) into the required position. Then turn the lower gripping end of the auxiliary handle (14) clockwise to retighten it. Make sure that the retaining strap of the auxiliary handle slots into the corresponding groove of the housing.

#### Setting the drilling depth (see figure B)

You can use the depth stop (13) to set the required drilling depth X.

- Press the button for depth stop adjustment (12) and insert the depth stop into the auxiliary handle (14). The fluting on the depth stop (13) must face downwards.
- Push the SDS-plus application tool into the SDS-plus tool holder (3) as far as it will go. Otherwise, the movability of the SDS-plus drilling tool can lead to incorrect adjustment of the drilling depth.
- Pull the depth stop far enough out that the distance between the drill bit tip and the edge of the depth stop corresponds to the required drilling depth X.

#### Selecting Drill Chucks and Tools

For hammer drilling and chiselling, you will need SDS-plus tools, which insert into the SDS-plus drill chuck.

For drilling without impact in wood, metal, ceramic and plastic as well as for screwdriving, tools without SDS-plus are used (e.g. cylindrical shank drill bits). For these tools, a keyless chuck or a keyed chuck are required.

**GBH 2-24 DFR:** The SDS-plus quick-change chuck (2) can easily be swapped with the keyless quick-change chuck (1) supplied.

#### Changing the keyed chuck (GBH 2-24 RE, GBH 2-24 DRE)

You must use a suitable drill chuck (keyed or keyless chuck, accessories) to work with tools that do not have SDS-plus (e.g. cylindrical shank drill bits).

##### Fitting the keyed chuck (see figure C)

- Screw the SDS-plus shank (20) into a keyed chuck (19). Secure the keyed chuck (19) using the securing screw (18). **Note that the securing screw has a left-hand thread.**

##### Inserting the keyed chuck (see figure C)

- Clean and lightly grease the insertion end of the shank.
- Insert the keyed chuck with the adapter shank into the tool holder with a turning motion until it automatically locks.
- Check that it is locked by pulling the keyed chuck.

##### Removing the keyed chuck

- Push the locking sleeve (5) back and remove the keyed chuck (19).

#### Removing/inserting the quick-change chuck (GBH 2-24 DFR)

##### Removing the quick-change chuck (see figure D)

- Pull back on the quick-change chuck locking ring (6), hold it in this position and pull the SDS-plus quick-change chuck (2) or the keyless quick-change chuck (1) out from the front.
- Once the quick-change chuck is removed, protect it from dirt.

##### Inserting the quick-change chuck (see figure E)

- Before insertion, clean the quick-change chuck and lightly grease the shank.
- Wrap your whole hand around the SDS-plus quick-change chuck (2) or the keyless quick-change chuck (1). Use a turning motion to push the quick-change chuck into the drill chuck holder (21) until you hear it click into place.
- The quick-change chuck is automatically locked. Check that it is locked by pulling on the quick-change chuck.

#### Changing the Tool

The dust protection cap (4) largely prevents drilling dust from entering the tool holder during operation. When inserting the tool, make sure that the dust protection cap (4) does not become damaged.

- ▶ **Replace a damaged dust protection cap immediately. It is recommended that you have use an after-sales service for this.**

##### Inserting the SDS-plus application tool (see figure F)

The SDS-plus drill chuck enables you to change the application tool easily and conveniently without needing to use additional tools.

- **GBH 2-24 DFR:** Insert the SDS-plus quick-change chuck (2).
- Clean and lightly grease the shank of the application tool.
- Insert the application tool into the tool holder while turning it until it locks automatically.
- Check that it is locked by pulling on the tool.

As a requirement of the system, the SDS-plus application tool can move freely. This causes a certain radial run-out at no-load, which has no effect on the accuracy of the drill hole, as the drill bit centres itself upon drilling.

##### Removing the SDS-plus application tool (see figure G)

- Push the locking sleeve (5) back and remove the application tool.

#### Inserting application tools without SDS-plus (GBH 2-24 RE, GBH 2-24 DRE)

**Note:** Application tools that do not have SDS-plus must not be used for hammer drilling or chiselling. Tools without SDS-plus and their drill chucks are damaged by hammer drilling or chiselling.

- Insert a keyed chuck (19).
- Open the keyed chuck (19) by turning it until the tool can be inserted. Insert the tool.

- Insert the chuck key into the corresponding holes of the keyed chuck **(19)** and clamp the tool evenly.
- **GBH 2-24 RE:** Set the selector switch **(16)** to the "drilling" symbol.
- **GBH 2-24 DRE:** Turn the impact/mode selector switch **(11)** to the "drilling" position.

#### Removing application tools without SDS-plus (GBH 2-24 RE, GBH 2-24 DRE)

- Use the chuck key to turn the sleeve of the keyed chuck **(19)** anticlockwise until the application tool can be removed.

#### Inserting application tools without SDS-plus (GBH 2-24 DFR) (see figure H)

**Note:** Application tools that do not have SDS-plus must not be used for hammer drilling or chiselling. Tools without SDS-plus and their drill chucks are damaged by hammer drilling or chiselling.

- Insert the keyless quick-change chuck **(1)**.
- Hold the retaining ring **(23)** of the keyless quick-change chuck firmly in place. Open the tool holder by turning the front sleeve **(22)** until the tool can be inserted. Hold the retaining ring **(23)** in place and firmly tighten the front sleeve **(22)** by turning it in the direction of the arrow until it audibly clicks into place.
- Check that it is seated securely by pulling on the tool.

**Note:** If the tool holder was unscrewed all the way, a scraping sound may be heard while retightening the tool holder and it may not fully tighten.

In this case, turn the front sleeve **(22)** in the opposite direction to the arrow by one full turn. This will allow the tool holder to be fully tightened.

- Turn the impact/mode selector switch **(11)** to the "drilling" position.

#### Removing application tools without SDS-plus (GBH 2-24 DFR) (see figure I)

Hold the retaining ring **(23)** of the keyless quick-change chuck firmly in place. Open the tool holder by turning the front sleeve **(22)** in the direction of the arrow until the tool can be removed.

### Dust extraction with the dust extraction attachment (accessory)

#### Dust/chip extraction

The dust from materials such as lead paint, some types of wood, minerals and metal can be harmful to human health. Touching or breathing in this dust can trigger allergic reactions and/or cause respiratory illnesses in the user or in people in the near vicinity.

Certain dusts, such as oak or beech dust, are classified as carcinogenic, especially in conjunction with wood treatment additives (chromate, wood preservative). Materials containing asbestos may only be machined by specialists.

- Use a dust extraction system that is suitable for the material wherever possible.
- Provide good ventilation at the workplace.

- It is advisable to wear a P2 filter class breathing mask. The regulations on the material being machined that apply in the country of use must be observed.

► **Avoid dust accumulation at the workplace.** Dust can easily ignite.

#### Fitting the dust extraction attachment (see figure J)

For dust extraction, the dust extraction attachment (accessory) is required. When drilling, the dust extraction attachment retracts so that the attachment head is always close to the surface at the drill hole.

- Press the button for depth stop adjustment **(12)** and remove the depth stop **(13)**. Press the button **(12)** again and insert the dust extraction attachment into the auxiliary handle **(14)** from the front.
- Connect an extraction hose (diameter 19 mm, accessory) to the suction opening **(24)** of the dust extraction attachment.

The dust extractor must be suitable for the material being worked.

When extracting dust that is dry, especially detrimental to health or carcinogenic, use a special dust extractor.

#### Setting the drilling depth on the dust extraction attachment (see figure K)

You can also set the required drilling depth **X** when the dust extraction attachment is fitted.

- Push the SDS-plus application tool into the SDS-plus tool holder **(3)** as far as it will go. Otherwise, the movability of the SDS-plus drilling tool can lead to incorrect adjustment of the drilling depth.
- Loosen the wing bolt **(28)** on the dust extraction attachment.
- Without switching it on, press the power tool firmly against the surface you wish to drill. The SDS-plus application tool must be touching the surface.
- Position the guide tube **(29)** of the dust extraction attachment in its holder such that the head of the dust extraction attachment rests on the surface to be drilled. Do not slide the guide tube **(29)** further than necessary over the telescopic tube **(27)**, so that as much as possible of the scale remains visible on the telescopic tube **(27)**.
- Retighten the wing bolt **(28)**. Loosen the clamping screw **(25)** on the depth stop of the dust extraction attachment.
- Slide the depth stop **(26)** onto the telescopic tube **(27)** so that the distance **X** shown in the illustration matches your required drilling depth.
- Tighten the clamping screw **(25)** in this position.

## Operation

### Start-up

- **Pay attention to the mains voltage. The voltage of the power source must match the voltage specified on the rating plate of the power tool. Power tools marked with 230 V can also be operated with 220 V.**



- **Products that are only sold in AUS and NZ:** Use a residual current device (RCD) with a nominal residual current of 30 mA or less.

### Setting the Operating Mode

#### GBH 2-24 RE

Use the "drilling/hammer drilling" selector switch **(16)** to select the power tool's operating mode.

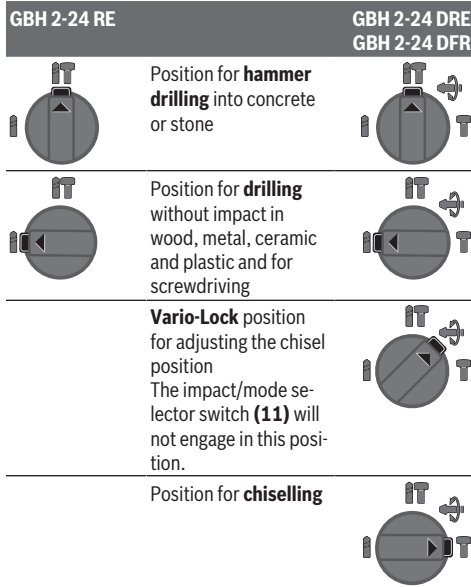
- To change the operating mode, press the release button **(15)** and turn the "drilling/hammer drilling" selector switch **(16)** until it clicks into the required position.

#### GBH 2-24 DRE, GBH 2-24 DFR

The operating mode of the power tool is selected using the impact/mode selector switch **(11)**.

- To change the operating mode, press the release button **(10)** and turn the impact/mode selector switch **(11)** until it clicks into the required position.

**Note:** Only change the operating mode when the power tool is switched off. Otherwise, the power tool may become damaged.



### Setting the Rotational Direction

- **Only operate the rotational direction switch (7) when the power tool is not in use.**

The rotational direction switch **(7)** is used to change the rotational direction of the power tool. However, this is not possible while the on/off switch **(9)** is being pressed.

- **Rotate clockwise:** Turn the rotational direction switch **(7)** on both sides until it stops in the position.
- **Rotate anti-clockwise:** Turn the rotational direction switch **(7)** on both sides until it stops in the position.
- Always set the rotational direction to clockwise rotation for hammer drilling, drilling and chiselling.

### Switching On/Off

- To **switch on** the power tool, press the on/off switch **(9)**.
- To **lock** the on/off switch **(9)**, press and hold it while also pushing the lock-on button **(8)**.
- To **switch off** the power tool, release the on/off switch **(9)**. If the on/off switch **(9)** is locked, press the switch first and then release it.

### Adjusting the Speed/Impact Rate

You can adjust the speed/impact rate of the power tool when it is on by pressing in the on/off switch **(9)** to varying extents.

Applying light pressure to the on/off switch **(9)** results in a low rotational speed/impact rate. Applying increasing pressure to the switch increases the speed/impact rate.

### Overload clutch

- **If the application tool jams or snags, the power transmission to the drill spindle will be interrupted. Always hold the power tool firmly with both hands to withstand the forces this may create and adopt a position with stable footing.**
- **Switch the power tool off immediately and remove the application tool if the power tool becomes blocked. Switching on when the drilling tool is blocked may cause high torque reactions.**

### Practical Advice

- **Pull the plug out of the socket before carrying out any work on the power tool.**
- **Hold power tool by insulated gripping surfaces when performing an operation where the cutting accessory or fastener may contact hidden wiring or its own cord.** Cutting accessory and fasteners contacting a "live" wire may make exposed metal parts of the power tool "live" and could give the operator an electric shock.

### Changing the chiselling position (Vario-Lock) (GBH 2-24 DRE, GBH 2-24 DFR)

You can lock the chisel in **36** different positions, so you can select the optimum working position for each task.

- Insert the chisel into the tool holder.
- Turn the impact/mode selector switch **(11)** to the "Vario-Lock" position.
- Turn the application tool to the required chisel position.
- Turn the impact/mode selector switch **(11)** to the "chiselling" position. With this, the tool holder is locked.
- Set the rotational direction for chiselling to clockwise.

### Inserting screwdriver bits (see figure L)

- **Only apply the power tool to the screw/nut when the tool is switched off.** Rotating tool inserts can slip off.

A universal holder **(30)** with SDS-plus shank (accessory) is required to work with screwdriver bits.

- Clean and lightly grease the insertion end of the shank.
- Insert the universal holder into the tool holder while turning it until it locks automatically.

- Check that it is locked by pulling the universal holder.
- Insert a screwdriver bit in the universal holder. Only use screwdriver bits that fit the screw head.
- To remove the universal holder, slide the locking sleeve **(5)** backwards and remove the universal holder **(30)** from the tool holder.

## Maintenance and Service

### Maintenance and cleaning

- ▶ **Pull the plug out of the socket before carrying out any work on the power tool.**
  - ▶ **To ensure safe and efficient operation, always keep the power tool and the ventilation slots clean.**
  - ▶ **Replace a damaged dust protection cap immediately. It is recommended that you have use an after-sales service for this.**
- Clean the tool holder **(3)** after each use.

In order to avoid safety hazards, if the power supply cord needs to be replaced, this must be done by **Bosch** or by an after-sales service centre that is authorised to repair **Bosch** power tools.

### After-sales Service and Advice on Using Products

Our after-sales service can answer questions concerning product maintenance and repair, as well as spare parts. You can find exploded drawings and information on spare parts at: [www.bosch-pt.com](http://www.bosch-pt.com)

The Bosch product use advice team will be happy to help you with any questions about our products and their accessories.

[www.powertool-portal.de](http://www.powertool-portal.de), the internet portal for tradespeople and DIY enthusiasts.

In all correspondence and spare parts orders, please always include the 10-digit article number given on the type plate of the product.

#### Cambodia

Robert Bosch (Cambodia) Co., Ltd  
Unit 8BC, GT Tower, 08th Floor, Street 169,  
Czechoslovakia Blvd, Sangkat Veal Vong  
Khan 7 Makara, Phnom Penh  
VAT TIN: 100 169 511  
Tel.: +855 23 900 685  
Tel.: +855 23 900 660  
[www.bosch.com.kh](http://www.bosch.com.kh)

#### People's Republic of China

##### China Mainland

Bosch Power Tool (China) Co. Ltd.  
Bosch Service Center  
567, Bin Kang Road  
Bin Kang District  
Hangzhou, Zhejiang Province  
China 310052  
Tel.: (0571) 8887 5566 / 5588  
Fax: (0571) 8887 6688 x 5566# / 5588#

E-mail: [bsc.hz@cn.bosch.com](mailto:bsc.hz@cn.bosch.com)  
[www.bosch-pt.com.cn](http://www.bosch-pt.com.cn)

#### HK and Macau Special Administrative Regions

Robert Bosch Co. Ltd.  
21st Floor, 625 King's Road  
North Point, Hong Kong  
Customer Service Hotline: +852 2101 0235  
Fax: +852 2590 9762  
E-mail: [info@hk.bosch.com](mailto:info@hk.bosch.com)  
[www.bosch-pt.com.hk](http://www.bosch-pt.com.hk)

#### India

Bosch Service Center  
69, Habibullah Road, (next to PSBB School), T. Nagar  
Chennai-600077  
Phone: (044) 64561816  
Bosch Service Center Rishyamook  
85A, Panchkuin Road  
New Delhi-110001  
Phone: (011) 43166190  
Bosch Service Center 79,  
Crystal Bldg., Dr. Annie Besant Road, Worli  
Mumbai-400018  
Phone: (022) 39569936 / (022) 39569959 /  
(022) 39569967 / (022) 24952071

#### Indonesia

PT Robert Bosch  
Palma Tower 10th Floor  
Jalan RA Kartini II-S Kaveling 6  
Pondok Pinang, Kebayoran Lama  
Jakarta Selatan 12310  
Tel.: (21) 3005-5800  
[www.bosch-pt.co.id](http://www.bosch-pt.co.id)

#### Malaysia

Robert Bosch Sdn. Bhd.(220975-V) PT/SMY  
No. 8A, Jalan 13/6  
46200 Petaling Jaya  
Selangor  
Tel.: (03) 79663194  
Toll-Free: 1800 880188  
Fax: (03) 79583838  
E-mail: [kiathoe.chong@my.bosch.com](mailto:kiathoe.chong@my.bosch.com)  
[www.bosch-pt.com.my](http://www.bosch-pt.com.my)

#### Pakistan

Robert Bosch Middle East FZE – Pakistan Liaison Office  
2nd Floor Plaza # 10, CCA Block, DHA Phase 5  
Lahore, 54810  
Phone: +92(303)4444311  
E-mail: [Faisal.Khan@bosch.com](mailto:Faisal.Khan@bosch.com)

#### Philippines

Robert Bosch, Inc.  
28th Floor Fort Legend Towers,  
3rd Avenue corner 31st Street,  
Fort Bonifacio, Global City,  
1634 Taguig City  
Tel.: (632) 8703871  
Fax: (632) 8703870  
[www.bosch-pt.com.ph](http://www.bosch-pt.com.ph)



**Singapore**

Powerwell Service Centre Ptd Ltd  
 Bosch Authorised Service Centre (Power Tools)  
 4012 Ang Mo Kio Ave 10, #01-02 TECHplace  
 Singapore 569628  
 Tel.: 6452 1770  
 Fax: 6452 1760  
 E-mail: ask@powerwellsc.com  
 www.powerwellsc.com  
 www.bosch-pt.com.sg

**Thailand**

Robert Bosch Ltd.  
 Liberty Square Building  
 No. 287, 11 Floor  
 Silom Road, Bangrak  
 Bangkok 10500  
 Tel.: 02 6393111  
 Fax: 02 2384783  
 Robert Bosch Ltd., P. O. Box 2054  
 Bangkok 10501  
 www.bosch.co.th

Bosch Service – Training Centre  
 La Salle Tower Ground Floor Unit No.2  
 10/11 La Salle Moo 16  
 Srinakharin Road  
 Bangkaew, Bang Plee  
 Samutprakarn 10540  
 Tel.: 02 7587555  
 Fax: 02 7587525

**Vietnam**

Branch of Bosch Vietnam Co., Ltd in HCMC  
 14th floor, Deutsches Haus, 33 Le Duan  
 Ben Nghe Ward, District 1, Ho Chi Minh City  
 Tel.: (028) 6258 3690  
 Fax: (028) 6258 3692 - 6258 3694  
 Hotline: (028) 6250 8555  
 E-mail: tuvankhachhang-pt@vn.bosch.com  
 www.bosch-pt.com.vn

**Armenia, Azerbaijan, Georgia, Kyrgyzstan, Mongolia, Tajikistan, Turkmenistan, Uzbekistan**

TOO "Robert Bosch" Power Tools, After Sales Service  
 Rayimbek Ave., 169/1  
 050050, Almaty, Kazakhstan  
 Service e-mail: service.pt.ka@bosch.com  
 Official website: www.bosch.com, www.bosch-pt.com

**Bahrain**

Hatem Al Juffali Technical Equipment Establishment.  
 Kingdom of Bahrain, Setra Highway, Al Aker Area  
 Phone: +966126971777-311  
 Fax: +97317704257  
 E-mail: h.berjas@ejjb.com.sa

**Egypt**

RBEG-LLC  
 22 Kamal Eldin Hussein  
 Sheraton Heliopolis  
 11799 Cairo  
 E-mail: boschegypt.powertools@eg.bosch.com

**Iran**

Robert Bosch Iran  
 3rd Floor, No 3, Maadiran Building  
 Aftab St., Khodami St., Vanak Sq.  
 Tehran 1994834571  
 Phone: +9821 86092057

**Iraq**

Sahba Technology Group  
 Al Muthana airport road  
 Baghdad  
 Phone: +9647901906953  
 Phone Dubai: +97143973851  
 E-mail: bosch@sahbatechnology.com

**Jordan**

Roots Arabia – Jordan  
 Nasser Bin Jameel street, Building 37 Al Rabiah  
 11194 Amman  
 Phone: +962 6 5545778  
 E-mail: bosch@rootsjordan.com

**Kuwait**

Al Qurain Automotive Trading Company  
 Shuwaikh Industrial Area, Block 1, Plot 16, Street 3rd  
 P.O. Box 164 – Safat 13002  
 Phone: 24810844  
 Fax: 24810879  
 E-mail: josephkr@aaalmutawa.com

**Lebanon**

Tehini Hana & Co. S.A.R.L.  
 P.O. Box 90-449  
 Jdeideh  
 Dora-Beirut  
 Phone: +9611255211  
 E-mail: service-pt@tehini-hana.com

**Libya**

El Naser for Workshop Tools  
 Swanee Road, Alfalah Area  
 Tripoli  
 Phone: +218 21 4811184

**Oman**

Malatan Trading & Contracting LLC  
 P.O. Box 131  
 Ruwi, 112 Sultanate of Oman  
 Phone: +968 99886794  
 E-mail: malatanpowertools@malatan.net

**Qatar**

International Construction Solutions W L L  
 P. O. Box 51,  
 Doha Phone: +974 40065458  
 Fax: +974 4453 8585  
 E-mail: csd@icsdoha.com

**Saudi Arabia**

Juffali Technical Equipment Co. (JTECO)  
 Kilo 14, Madinah Road, Al Bawadi District  
 Jeddah 21431  
 Phone: +966 2 6672222 Ext. 1528  
 Fax: +966 2 6676308  
 E-mail: roland@ejjb.com.sa

**Syria**

Dallal Establishment for Power Tools  
P.O. Box 1030  
Aleppo  
Phone: +963212116083  
E-mail: rita.dallal@hotmail.com

**United Arab Emirates**

Central Motors & Equipment LLC, P.O. Box 1984  
Al-Wahda Street – Old Sana Building  
Sharjah  
Phone: +971 6 593 2777  
Fax: +971 6 533 2269  
E-mail: powertools@centralmotors.ae

**Yemen**

Abualrejal Trading Corporation  
Sana'a Zubiery St. Front to new Parliament Building  
Phone: +967-1-202010  
Fax: +967-1-279029  
E-mail: tech-tools@abualrejal.com

**Ethiopia**

Forever plc  
Kebele 2,754, BP 4806,  
Addis Ababa  
Phone: +251 111 560 600  
E-mail: foreverplc@ethionet.et

**Ghana**

Peew-Williams Services Company Ltd  
Mile 7, Plot 331, Before Achimota Mall.  
Accra  
Tel. +233 5 52 35 25 11  
E-mail: info@peew-williams.com

**Kenya**

Robert Bosch East Africa Ltd  
Mpaka Road P.O. Box 856  
00606 Nairobi

**Nigeria**

Robert Bosch Nigeria Ltd.  
52–54 Isaac John Street P.O. Box  
GRA Ikeja – Lagos

**Republic of South Africa****Customer service**

Hotline: (011) 6519600

**Gauteng – BSC Service Centre**

35 Roper Street, New Centre  
Johannesburg  
Tel.: (011) 4939375  
Fax: (011) 4930126  
E-mail: bsctools@icon.co.za

**KZN – BSC Service Centre**

Unit E, Almar Centre  
143 Crompton Street  
Pinetown  
Tel.: (031) 7012120  
Fax: (031) 7012446  
E-mail: bsc.dur@za.bosch.com

**Western Cape – BSC Service Centre**

Democracy Way, Prosperity Park  
Milnerton  
Tel.: (021) 5512577  
Fax: (021) 5513223  
E-mail: bsc@zsd.co.za

**Bosch Headquarters**

Midrand, Gauteng  
Tel.: (011) 6519600  
Fax: (011) 6519880  
E-mail: rbsa-hq.pts@za.bosch.com

**Tanzania**

Diesel & Autoelectric Service Ltd.  
117 Nyerere Rd., P.O. Box 70839  
Vingunguti 12109, Dar Es Salaam  
Phone: +255 222 861 793/794

**Australia, New Zealand and Pacific Islands**

Robert Bosch Australia Pty. Ltd.

Power Tools  
Locked Bag 66  
Clayton South VIC 3169  
Customer Contact Center  
Inside Australia:  
Phone: (01300) 307044  
Fax: (01300) 307045

Inside New Zealand:  
Phone: (0800) 543353  
Fax: (0800) 428570

Outside AU and NZ:  
Phone: +61 3 95415555  
www.bosch-pt.com.au  
www.bosch-pt.co.nz

**Disposal**

The power tool, accessories and packaging should be recycled in an environmentally friendly manner.



Do not dispose of power tools along with household waste.

**Only for EU countries:**

According to the European Directive 2012/19/EU on Waste Electrical and Electronic Equipment and its implementation into national law, power tools that are no longer usable must be collected separately and disposed of in an environmentally friendly manner.

## Français

### Consignes de sécurité

#### Avertissements de sécurité généraux pour l'outil

##### **AVERTISSEMENT** Lire tous les avertissements de sécurité et toutes les instructions.

Ne pas suivre les avertissements et instructions peut donner lieu à un choc électrique, un incendie et/ou une blessure sérieuse.

##### Conserver tous les avertissements et toutes les instructions pour pouvoir s'y reporter ultérieurement.

Le terme «outil» dans les avertissements fait référence à votre outil électrique alimenté par le secteur (avec cordon d'alimentation) ou votre outil fonctionnant sur batterie (sans cordon d'alimentation).

#### Sécurité de la zone de travail

##### ► Conserver la zone de travail propre et bien éclairée.

Les zones en désordre ou sombres sont propices aux accidents.

##### ► Ne pas faire fonctionner les outils électriques en atmosphère explosive, par exemple en présence de liquides inflammables, de gaz ou de poussières.

Les outils électriques produisent des étincelles qui peuvent enflammer les poussières ou les fumées.

##### ► Maintenir les enfants et les personnes présentes à l'écart pendant l'utilisation de l'outil.

Les distractions peuvent vous faire perdre le contrôle de l'outil.

#### Sécurité électrique

##### ► Il faut que les fiches de l'outil électrique soient adaptées au socle. Ne jamais modifier la fiche de quelque façon que ce soit. Ne pas utiliser d'adaptateurs avec des outils à branchement de terre.

Des fiches non modifiées et des socles adaptés réduiront le risque de choc électrique.

##### ► Éviter tout contact du corps avec des surfaces reliées à la terre telles que les tuyaux, les radiateurs, les cuisinières et les réfrigérateurs.

Il existe un risque accru de choc électrique si votre corps est relié à la terre.

##### ► Ne pas exposer les outils à la pluie ou à des conditions humides.

La pénétration d'eau à l'intérieur d'un outil augmentera le risque de choc électrique.

##### ► Ne pas maltraiter le cordon. Ne jamais utiliser le cordon pour porter, tirer ou débrancher l'outil.

Maintenir le cordon à l'écart de la chaleur, du lubrifiant, des arêtes ou des parties en mouvement.

##### ► Des cordons endommagés ou emmêlés augmentent le risque de choc électrique.

##### ► Lorsqu'on utilise un outil à l'extérieur, utiliser un prolongateur adapté à l'utilisation extérieure.

L'utilisation d'un cordon adapté à l'utilisation extérieure réduit le risque de choc électrique.

##### ► Si l'usage d'un outil dans un emplacement humide est inévitable, utiliser une alimentation protégée par un

##### dispositif à courant différentiel résiduel (RCD).

L'usage d'un RCD réduit le risque de choc électrique.

#### Sécurité des personnes

##### ► Rester vigilant, regarder ce que vous êtes en train de faire et faire preuve de bon sens dans votre utilisation de l'outil. Ne pas utiliser un outil lorsque vous êtes fatigué ou sous l'emprise de drogues, d'alcool ou de médicaments.

Un moment d'inattention en cours d'utilisation d'un outil peut entraîner des blessures graves des personnes.

##### ► Utiliser un équipement de sécurité. Toujours porter une protection pour les yeux.

Les équipements de sécurité tels que les masques contre les poussières, les chaussures de sécurité antidérapantes, les casques ou les protections acoustiques utilisés pour les conditions appropriées réduiront les blessures de personnes.

##### ► Éviter tout démarrage intempestif. S'assurer que l'interrupteur est en position arrêté avant de brancher l'outil au secteur et/ou au bloc de batteries, de le ramasser ou de le porter.

Porter les outils en ayant le doigt sur l'interrupteur ou brancher des outils dont l'interrupteur est en position marche est source d'accidents.

##### ► Retirer toute clé de réglage avant de mettre l'outil en marche.

Une clé laissée fixée sur une partie tournante de l'outil peut donner lieu à des blessures de personnes.

##### ► Ne pas se précipiter. Garder une position et un équilibre adaptés à tout moment.

Cela permet un meilleur contrôle de l'outil dans des situations inattendues.

##### ► S'habiller de manière adaptée. Ne pas porter de vêtements amples ou de bijoux. Garder les cheveux, les vêtements et les gants à distance des parties en mouvement.

Des vêtements amples, des bijoux ou les cheveux longs peuvent être pris dans des parties en mouvement.

##### ► Si des dispositifs sont fournis pour le raccordement d'équipements pour l'extraction et la récupération des poussières, s'assurer qu'ils sont connectés et correctement utilisés.

Utiliser des collecteurs de poussière peut réduire les risques dus aux poussières.

#### Utilisation et entretien de l'outil

##### ► Ne pas forcer l'outil. Utiliser l'outil adapté à votre application.

L'outil adapté réalisera mieux le travail et de manière plus sûre au régime pour lequel il a été construit.

##### ► Ne pas utiliser l'outil si l'interrupteur ne permet pas de passer de l'état de marche à arrêt et vice versa.

Tout outil qui ne peut pas être commandé par l'interrupteur est dangereux et il faut le réparer.

##### ► Débrancher la fiche de la source d'alimentation en courant et/ou le bloc de batteries de l'outil avant tout réglage, changement d'accessoires ou avant de ranger l'outil.

De telles mesures de sécurité préventives réduisent le risque de démarrage accidentel de l'outil.

##### ► Conserver les outils à l'arrêt hors de la portée des enfants et ne pas permettre à des personnes ne connaissant pas l'outil ou les présentes instructions de le faire fonctionner.

Les outils sont dangereux entre les mains d'utilisateurs novices.

- ▶ **Observer la maintenance de l'outil. Vérifier qu'il n'y a pas de mauvais alignement ou de blocage des parties mobiles, des pièces cassées ou toute autre condition pouvant affecter le fonctionnement de l'outil. En cas de dommages, faire réparer l'outil avant de l'utiliser.** De nombreux accidents sont dus à des outils mal entretenus.
- ▶ **Garder affûtés et propres les outils permettant de couper.** Des outils destinés à couper correctement entretenus avec des pièces coupantes tranchantes sont moins susceptibles de bloquer et sont plus faciles à contrôler.
- ▶ **Utiliser l'outil, les accessoires et les lames etc., conformément à ces instructions, en tenant compte des conditions de travail et du travail à réaliser.** L'utilisation de l'outil pour des opérations différentes de celles prévues pourrait donner lieu à des situations dangereuses.

#### Maintenance et entretien

- ▶ **Faire entretenir l'outil par un réparateur qualifié utilisant uniquement des pièces de rechange identiques.** Cela assurera que la sécurité de l'outil est maintenue.

#### Avertissements de sécurité pour les marteaux

- ▶ **Porter des protections auditives.** L'exposition aux bruits peut provoquer une perte de l'audition.
- ▶ **Utiliser la(les) poignée(s) auxiliaire(s) fournie(s) avec l'outil.** La perte de contrôle peut provoquer des blessures.
- ▶ **Tenir l'outil par les surfaces de préhension isolées, lors de la réalisation d'une opération au cours de laquelle l'organe de coupe ou le dispositif de serrage peut entrer en contact avec un câblage non apparent ou son propre cordon d'alimentation.** Le contact avec un fil "sous tension" peut également mettre "sous tension" les parties métalliques exposées de l'outil électrique et provoquer un choc électrique sur l'opérateur.
- ▶ **Utilisez un détecteur approprié pour vérifier s'il n'y a pas de conduites cachées ou contactez votre société de distribution d'eau locale.** Tout contact avec des câbles électriques peut provoquer un incendie ou un choc électrique. Tout endommagement d'une conduite de gaz peut provoquer une explosion. La perforation d'une conduite d'eau provoque des dégâts matériels et peut provoquer un choc électrique.
- ▶ **Avant de poser l'outil électroportatif, attendez que celui-ci soit complètement à l'arrêt.** L'outil risque de se coincer, ce qui entraînerait une perte de contrôle de l'outil électroportatif.
- ▶ **Bloquez la pièce à travailler.** Une pièce à travailler serrée par des dispositifs de serrage appropriés ou dans un étau est fixée de manière plus sûre que quand elle est tenue avec une main.

## Description des prestations et du produit



**Lisez attentivement toutes les instructions et consignes de sécurité.** Le non-respect des instructions et consignes de sécurité peut provoquer un choc électrique, un incendie et/ou entraîner de graves blessures.

Référez-vous aux illustrations qui se trouvent à l'avant de la notice d'utilisation.

#### Utilisation conforme

##### GBH 2-24 RE

Cet outil électroportatif est destiné aux travaux de perforation dans le béton, la brique et la pierre naturelle. Il convient aussi pour les perçages sans percussion dans le bois, le métal, la céramique et les matières plastiques. Les outils électroportatifs avec régulation électronique et réversibilité rotation droite/gauche sont également appropriés pour le vissage.

##### GBH 2-24 DRE/DFR

Cet outil électroportatif est destiné aux travaux de perforation dans le béton, la brique et la pierre naturelle, ainsi qu'aux travaux de burinage légers. Il convient aussi pour les perçages sans percussion dans le bois, le métal, la céramique et les matières plastiques. Les outils électroportatifs avec régulation électronique et réversibilité rotation droite/gauche sont également appropriés pour le vissage.

#### Composants représentés

La numérotation des éléments de l'appareil se réfère à la représentation de l'outil électroportatif sur la page graphique.

- (1) Mandrin interchangeable à serrage rapide (GBH 2-24 DFR)
- (2) Mandrin interchangeable SDS-plus (GBH 2-24 DFR)
- (3) Porte-outil SDS-plus
- (4) Capuchon anti-poussière
- (5) Bague de verrouillage
- (6) Bague de verrouillage du mandrin interchangeable (GBH 2-24 DFR)
- (7) Sélecteur de sens de rotation
- (8) Bouton de blocage de l'interrupteur Marche/Arrêt
- (9) Interrupteur Marche/Arrêt
- (10) Bouton de déverrouillage du sélecteur stop de rotation/de frappe (GBH 2-24 DRE, GBH 2-24 DFR)
- (11) Sélecteur stop de rotation/de frappe (GBH 2-24 DRE, GBH 2-24 DFR)
- (12) Bouton de réglage de butée de profondeur
- (13) Butée de profondeur
- (14) Poignée supplémentaire (surface de préhension isolante)
- (15) Bouton de déverrouillage du sélecteur « Perçage/Perçage à percussion » (GBH 2-24 RE)

- (16) Sélecteur « Perçage/Perçage à percussion » (**GBH 2-24 RE**)
- (17) Poignée (surface de préhension isolante)
- (18) Vis de blocage du mandrin à couronne dentée <sup>A)</sup>
- (19) Mandrin à couronne dentée <sup>A)</sup>
- (20) Porte-outil SDS-plus pour mandrin <sup>A)</sup>
- (21) Mécanisme de fixation du mandrin (**GBH 2-24 DFR**)
- (22) Douille avant du mandrin interchangeable à serrage rapide (**GBH 2-24 DFR**)
- (23) Bague de maintien du mandrin interchangeable à serrage rapide (**GBH 2-24 DFR**)
- (24) Ouverture d'aspiration du set d'aspiration <sup>A)</sup>
- (25) Vis de serrage du set d'aspiration <sup>A)</sup>
- (26) Butée de profondeur du set d'aspiration <sup>A)</sup>
- (27) Tube télescopique du set d'aspiration <sup>A)</sup>
- (28) Vis papillon du set d'aspiration <sup>A)</sup>
- (29) Tuyau de guidage du set d'aspiration <sup>A)</sup>
- (30) Porte-embout universel avec queue SDS-plus

A) Les accessoires décrits ou illustrés ne sont pas tous compris dans la fourniture. Vous trouverez les accessoires complets dans notre gamme d'accessoires.

## Caractéristiques techniques

Marteau perforateur		GBH 2-24 RE	GBH 2-24 DRE	GBH 2-24 DFR
Référence		<b>3 611 B72 0..</b>	<b>3 611 B72 1..</b>	<b>3 611 B73 0..</b>
Réglage de la vitesse de rotation		●	●	●
Stop de rotation		-	●	●
Réversibilité droite/gauche		●	●	●
Mandrin interchangeable		-	-	●
Puissance absorbée nominale	W	790	790	790
Fréquence de frappe	min <sup>-1</sup>	0-4200	0-4200	0-4200
Force de frappe suivant EPTA-Procédure 05:2016	J	2,7	2,7	2,7
Régime nominal	tr/min	0-930	0-930	0-930
Porte-outil		SDS-plus	SDS-plus	SDS-plus
Diamètre du collet de broche	mm	48,5	48,5	48,5
Diamètre de perçage max.				
- Béton	mm	24	24	24
- Maçonnerie (avec couronne-trépan)	mm	68	68	68
- Acier	mm	13	13	13
- Bois	mm	30	30	30
Poids selon EPTA-Procédure 01:2014	kg	2,8	2,8	2,9
Indice de protection		□/II	□/II	□/II

Les données indiquées sont valables pour une tension nominale [U] de 230 V. Elles peuvent varier lorsque la tension diffère de cette valeur et sur les versions destinées à certains pays.

## Informations sur le niveau sonore / les vibrations

Valeurs d'émissions sonores déterminées selon la norme **EN 60745-2-6**.

Le niveau sonore en dB(A) typique de l'outil électroportatif est de : niveau de pression acoustique **92,5 dB(A)** ; niveau de puissance acoustique **103,5 dB(A)**. Incertitude K = **3 dB**.

### Portez un casque antibruit !

Valeurs globales de vibration  $a_h$  (somme vectorielle sur les trois axes) et incertitude K conformément à **EN 60745-2-6** : Perforation dans le béton :  $a_h = 13,1 \text{ m/s}^2$ , K = **1,5 m/s<sup>2</sup>**,

Burinage :  $a_h = 13,9 \text{ m/s}^2$ , K = **1,5 m/s<sup>2</sup>**,

Le niveau de vibration indiqué dans cette notice d'utilisation a été mesuré à l'aide d'un procédé de mesure normalisé et peut être utilisé pour effectuer une comparaison entre outils électroportatifs. Il est également approprié pour une estimation préliminaire de la charge vibratoire.

Le niveau de vibration s'applique pour les utilisations principales de l'outil électroportatif. En cas d'utilisation de l'outil électroportatif pour d'autres applications, avec d'autres accessoires ou bien en cas d'entretien non approprié, le niveau sonore peut être différent. Il peut en résulter une nette aug-

mentation de la charge vibratoire pendant toute la durée de travail.

Pour une estimation précise de la charge vibratoire, il est recommandé de prendre aussi en considération les périodes pendant lesquelles l'appareil est éteint ou en fonctionnement, mais pas vraiment utilisé. Ceci peut réduire considérablement la charge vibratoire pendant toute la durée de travail.

Prévoyez des mesures de protection supplémentaires permettant de protéger l'utilisateur de l'effet des vibrations, par exemple : maintenance de l'outil électroportatif et des accessoires de travail, maintien des mains au chaud, organisation des procédures de travail.

## Montage

► **Débranchez le câble d'alimentation de la prise avant d'effectuer des travaux quels qu'il soient sur l'outil électroportatif.**

### Poignée supplémentaire

**N'utilisez l'outil électroportatif qu'avec la poignée supplémentaire (14).**

#### Pivotement de la poignée supplémentaire (voir figure A)

La poignée supplémentaire (14) peut être orientée dans n'importe quelle position, pour obtenir une position de travail sûre et peu fatigante.

- Tournez la poignée supplémentaire (14) dans le sens antihoraire et orientez la poignée supplémentaire (14) dans la position souhaitée. Resserrez ensuite la poignée supplémentaire (14) en la tournant dans le sens horaire. Veillez à ce que le collier de serrage de la poignée supplémentaire se trouve bien dans la rainure du carter prévue à cet effet.

#### Réglage de la profondeur de perçage (voir figure B)

La butée de profondeur (13) permet de régler la profondeur de perçage **X** désirée.

- Appuyez sur le bouton de réglage de la butée de profondeur (12) et insérez la butée de profondeur dans la poignée supplémentaire (14).  
Le striage de la butée de profondeur (13) doit être orienté vers le bas.
- Poussez à fond l'accessoire de travail SDS-plus dans le porte-outil SDS-plus (3). Si l'accessoire SDS-plus n'est pas poussé à fond, le réglage de la profondeur de perçage risque d'être faussé.
- Tirez la butée de profondeur jusqu'à ce que l'écart entre la pointe du foret et la pointe de la butée de profondeur corresponde à la profondeur de perçage **X** souhaitée.

### Sélection du mandrin et des accessoires

Pour les travaux de perforation et burinage, il est nécessaire d'utiliser des accessoires SDS-plus et le mandrin SDS-plus. Pour les travaux de perçage sans percussion dans le bois, le métal, la céramique ou les plastiques, ainsi que pour le vissage, il convient d'utiliser des accessoires sans système

SDS-plus (p. ex. forets à queue cylindrique). Pour ce type d'accessoire, il vous faut utiliser soit un mandrin automatique, soit un mandrin à couronne dentée.

**GBH 2-24 DFR** : le mandrin interchangeable SDS-plus (2) peut facilement être remplacé par le mandrin interchangeable à serrage rapide (1) fourni avec l'outil.

### Remplacement du mandrin à couronne dentée (GBH 2-24 RE, GBH 2-24 DRE)

Afin de travailler avec des outils sans système SDS-plus (p. ex. forets à queue cylindrique), vous devez monter un mandrin adapté (mandrin automatique ou à couronne dentée, accessoire).

#### Montage du mandrin à couronne dentée (voir figure C)

- Vissez le porte-embout SDS-plus (20) dans un mandrin à couronne dentée (19). Sécurisez le mandrin à couronne dentée (19) à l'aide de la vis de blocage (18). **Notez que la vis de blocage a un filetage à gauche.**

#### Mise en place du mandrin à couronne dentée (voir figure C)

- Nettoyez l'emmanchement du dispositif de fixation et graissez-le légèrement.
- Enfoncez le mandrin à couronne dentée par le dispositif de fixation en le tournant dans le porte-outil jusqu'à ce qu'il se verrouille automatiquement.
- Contrôlez qu'il est bien verrouillé en tirant sur le mandrin à couronne dentée.

#### Démontage du mandrin à couronne dentée

- Poussez la bague de verrouillage (5) vers l'arrière et retirez le mandrin à couronne dentée (19).

### Retrait/mise en place du mandrin interchangeable (GBH 2-24 DFR)

#### Retrait du mandrin interchangeable (voir figure D)

- Tirez fermement la bague de verrouillage du mandrin interchangeable (6) vers l'arrière, maintenez-la dans cette position et retirez le mandrin interchangeable SDS-plus (2) ou le mandrin interchangeable à serrage rapide (1) vers l'avant.
- Après avoir extrait le mandrin interchangeable, protégez-le des salissures.

#### Mise en place du mandrin interchangeable (voir figure E)

- Avant sa mise en place, nettoyez le mandrin interchangeable et graissez légèrement son extrémité.
- Saisissez le mandrin interchangeable SDS-plus (2) ou le mandrin interchangeable à serrage rapide (1) à pleine main. Engagez le mandrin interchangeable dans le mécanisme de fixation (21) en opérant un léger mouvement de rotation, jusqu'à ce qu'il s'encliquette de manière audible.
- Le mandrin interchangeable se verrouille automatiquement. Vérifiez que le mandrin interchangeable est correctement verrouillé en tirant dessus.

## Changement d'accessoire

Le capuchon anti-poussière (4) empêche dans une large mesure la poussière de pénétrer dans le porte-outil pendant l'utilisation de l'outil électroportatif. Lors du montage de l'accessoire de travail, veillez à ne pas endommager le capuchon anti-poussière (4).

- **Remplacez immédiatement le capuchon anti-poussière s'il est endommagé. Il est recommandé de faire effectuer ce travail dans un centre de service après-vente.**

### Mise en place d'un accessoire de travail SDS-plus (voir figure F)

Le mandrin SDS-plus permet de remplacer l'accessoire de travail facilement et confortablement sans avoir à utiliser de clé supplémentaire.

- **GBH 2-24 DFR** : mettez en place le mandrin interchangeable SDS-plus (2).
- Nettoyez l'extrémité de l'accessoire, et graissez-la légèrement.
- Introduisez l'accessoire de travail dans le porte-outil en le tournant jusqu'à ce qu'il se verrouille automatiquement.
- Vérifiez que l'accessoire est bien bloqué en tirant dessus. Avec ce système de fixation, l'accessoire de travail SDS-plus dispose d'une certaine mobilité. Il en résulte lors de la rotation à vide une excentricité qui n'a cependant aucun effet sur l'exactitude du perçage puisque le foret se centre automatiquement pendant le perçage.

### Retrait d'un accessoire de travail SDS-plus (voir figure G)

- Poussez la bague de verrouillage (5) vers l'arrière et sortez l'accessoire de travail.

### Mise en place d'un accessoire de travail non SDS-plus (GBH 2-24 RE, GBH 2-24 DRE)

**Remarque** : n'utilisez pas d'accessoires non SDS-plus pour perforeur ou buriner ! Les outils non SDS-plus et leurs mandrins seront endommagés lors du perçage à percussion ou du burinage.

- Insérez un mandrin à couronne dentée (19).
- Ouvrez le mandrin à couronne dentée (19) en le tournant jusqu'à pouvoir insérer l'accessoire. Insérez l'accessoire de travail.
- Introduisez la clé de mandrin successivement dans tous les orifices du mandrin à couronne dentée (19) et serrez l'accessoire de manière uniforme.
- **GBH 2-24 RE** : positionnez le sélecteur (16) sur le symbole « Perçage ».
- **GBH 2-24 DRE** : tournez le sélecteur stop de rotation/de frappe (11) dans la position « Perçage ».

### Retrait d'un accessoire de travail non SDS-plus (GBH 2-24 RE, GBH 2-24 DRE)

- Tournez fermement à la main la bague du mandrin à couronne dentée (19) dans le sens antihoraire à l'aide des clés de mandrin, jusqu'à ce que l'accessoire de travail puisse être retiré.

### Mise en place d'un accessoire de travail non SDS-plus (GBH 2-24 DFR) (voir figure H)

**Remarque** : n'utilisez pas d'accessoires non SDS-plus pour perforeur ou buriner ! Les outils non SDS-plus et leurs mandrins seront endommagés lors du perçage à percussion ou du burinage.

- Mettez en place le mandrin interchangeable à serrage rapide (1).
- Tenez fermement la bague de maintien (23) du mandrin interchangeable à serrage rapide. En tournant la douille avant (22), ouvrez le porte-outil jusqu'à ce que l'outil puisse être introduit. Maintenez en position la bague de maintien (23) et tournez la douille avant (22) avec force dans le sens de la flèche jusqu'à ce qu'un bruit de cliquet soit nettement audible.
- Vérifiez que l'accessoire est bien fixé en tirant dessus.

**Remarque** : si le porte-outil a été ouvert à fond, il est possible qu'un bruit de cliquet soit audible lorsque vous essayez de fermer le porte-outil et que le porte-outil ne se ferme pas. Dans un tel cas, tournez la douille avant (22) une fois dans le sens inverse de la flèche. Il est ensuite possible de fermer le porte-outil normalement.

- Tournez le sélecteur stop de rotation/de frappe (11) dans la position « Perçage ».

### Retrait d'un accessoire de travail non SDS-plus (GBH 2-24 DFR) (voir figure I)

Tenez fermement la bague de maintien (23) du mandrin interchangeable à serrage rapide. Ouvrez le porte-outil en tournant la douille avant (22) dans le sens de la flèche, jusqu'à ce que l'accessoire puisse en être extrait.

## Aspiration des poussières avec set d'aspiration (accessoire)

### Aspiration de poussières/de copeaux

Les poussières de matériaux tels que peintures contenant du plomb, certains bois, minéraux ou métaux, peuvent être nuisibles à la santé. Le contact avec les poussières ou leur inhalation peut entraîner des réactions allergiques et/ou des maladies respiratoires auprès de l'utilisateur ou des personnes se trouvant à proximité.

Certaines poussières telles que les poussières de chêne ou de hêtre sont considérées comme cancérigènes, surtout en association avec des additifs pour le traitement du bois (chromate, lasure). Les matériaux contenant de l'amiante ne doivent être travaillés que par des personnes qualifiées.

- Si possible, utilisez un dispositif d'aspiration des poussières approprié au matériau.
- Veillez à bien aérer la zone de travail.
- Il est recommandé de porter un masque respiratoire avec un niveau de filtration de classe P2.

Respectez les règlements spécifiques aux matériaux à traiter en vigueur dans votre pays.

- **Évitez toute accumulation de poussières sur le lieu de travail.** Les poussières peuvent facilement s'enflammer.



### Montage du dispositif d'aspiration (voir figure J)

Pour l'aspiration des poussières, un set d'aspiration (accessoire) est nécessaire. Pendant le perçage, le set d'aspiration s'écarte automatiquement de manière à ce que la tête d'aspiration soit toujours très près de la surface usinée.

- Appuyez sur le bouton de réglage de la butée de profondeur (12) et retirez la butée de profondeur (13). Appuyez de nouveau sur le bouton (12) et insérez le set d'aspiration par l'avant dans la poignée supplémentaire (14).
- Raccordez un flexible d'aspiration (diamètre 19 mm, accessoire) à l'ouverture d'aspiration (24) du set d'aspiration.

L'aspirateur doit être conçu pour le type de matériau à poncer.

Pour l'aspiration de poussières particulièrement nuisibles à la santé, cancérigènes ou sèches, utilisez un aspirateur spécial.

### Réglage de la profondeur de perçage sur le set d'aspiration (voir figure K)

Vous pouvez aussi régler la profondeur de perçage **X** souhaitée une fois que le set d'aspiration est monté.

- Poussez à fond l'accessoire de travail SDS-plus dans le porte-outil SDS-plus (3). Si l'accessoire SDS-plus n'est pas poussé à fond, le réglage de la profondeur de perçage risque d'être faussé.
- Desserrez la vis papillon du set d'aspiration (28).
- Appuyez fermement l'outil électroportatif éteint contre la surface, à l'endroit où le trou doit être percé. L'accessoire de travail SDS-plus doit toucher la surface.
- Glissez le tube de guidage (29) set d'aspiration dans son support de façon à ce que la tête d'aspiration appuie contre la surface à percer. Ne poussez pas le tuyau de guidage (29) plus que nécessaire par dessus le tube télescopique (27), de sorte qu'une grande partie de l'échelle graduée du tube télescopique (27) reste visible.
- Resserrez la vis papillon (28). Desserrez la vis de serrage (25) sur la butée de profondeur du set d'aspiration.
- Déplacez la butée de profondeur (26) sur le tube télescopique (27) jusqu'à ce que la distance **X** indiquée sur l'illustration corresponde à la profondeur de perçage souhaitée.
- Serrez la vis de serrage (25) dans cette position.

## Utilisation

### Mise en marche

- **Tenez compte de la tension du réseau ! La tension de la source de courant doit correspondre aux indications se trouvant sur la plaque signalétique de l'outil électroportatif. Les outils électroportatifs marqués 230 V peuvent également fonctionner sur 220 V.**

### Sélection du mode de fonctionnement

#### GBH 2-24 RE

Sélectionnez le mode de fonctionnement voulu de l'outil électroportatif avec le sélecteur « Perçage/Perçage à percussion » (16).

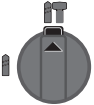
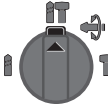
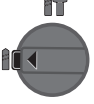



- Pour changer de mode de fonctionnement, appuyez sur le bouton de déverrouillage (15) et tournez le sélecteur « Perçage/Perçage à percussion » (16) dans la position voulue jusqu'à ce qu'il s'enclenche.

#### GBH 2-24 DRE, GBH 2-24 DFR

Sélectionnez le mode de fonctionnement voulu de l'outil électroportatif avec le sélecteur stop de rotation/de frappe (11).

- Pour changer de mode de fonctionnement, appuyez sur le bouton de déverrouillage (10) et tournez le sélecteur stop de rotation/de frappe (11) dans la position voulue jusqu'à ce qu'il s'enclenche.





**Remarque :** ne changez de mode de fonctionnement que lorsque l'outil électroportatif est éteint ! Vous risqueriez d'endommager l'outil électroportatif.

GBH 2-24 RE		GBH 2-24 DRE GBH 2-24 DFR
	Position pour <b>perforer</b> dans le béton et dans la pierre naturelle	
	Position pour <b>percer</b> sans percussion dans le bois, le métal, la céramique et les plastiques, ainsi que pour visser	
	Position <b>Vario-Lock</b> pour régler la position du burin Dans cette position, le sélecteur stop de rotation/de frappe (11) ne s'enclenche pas.	
	Position pour <b>buriner</b>	

### Sélection du sens de rotation

- **N'actionnez le sélecteur de sens de rotation (7) que quand l'outil électroportatif est à l'arrêt.**

Le sélecteur de sens de rotation (7) permet d'inverser le sens de rotation de l'outil électroportatif. Cela n'est toutefois pas possible lorsqu'on appuie sur l'interrupteur Marche/Arrêt (9).

-  **Rotation vers la droite :** tournez le sélecteur de sens de rotation (7) jusqu'en butée dans la position .
-  **Rotation vers la gauche :** tournez le sélecteur de sens de rotation (7) jusqu'en butée dans la position .
- Sélectionnez toujours le sens de rotation vers la droite pour les travaux de perforation, perçage et burinage.



### Mise en marche/arrêt

- Pour **mettre en marche** l'outil électroportatif, appuyez sur l'interrupteur Marche/Arrêt (9).
- Pour **bloquer** l'interrupteur Marche/Arrêt (9), maintenez celui-ci appuyé et appuyez en même temps sur le bouton de blocage (8).
- Pour **arrêter** l'outil électroportatif, relâchez l'interrupteur Marche/Arrêt (9). Si l'interrupteur Marche/Arrêt (9) est bloqué, appuyez d'abord dessus et relâchez-le ensuite.

### Réglage de la vitesse de rotation/de la fréquence de frappe

Vous pouvez régler en continu la vitesse de rotation/fréquence de frappe de l'outil électroportatif en modulant la pression exercée sur l'interrupteur Marche/Arrêt (9).

Une légère pression sur l'interrupteur Marche/Arrêt (9) produit une faible vitesse de rotation/fréquence de frappe. Plus l'on exerce de pression, plus la vitesse de rotation/la fréquence de frappe augmente.

### Débrayage de sécurité

- ▶ **Dès que l'accessoire de travail se coince ou qu'il s'accroche, l'entraînement de la broche est interrompu. En raison des forces intervenant, tenez toujours l'outil électroportatif fermement avec les deux mains et ayez une position ferme.**
- ▶ **Si l'outil électroportatif est bloqué, éteignez-le et desserrez l'outil de travail. Lorsqu'on met l'appareil en marche, l'outil de travail étant bloqué, il peut y avoir de fortes réactions.**

### Instructions d'utilisation

- ▶ **Débranchez le câble d'alimentation de la prise avant d'effectuer des travaux quels qu'il soient sur l'outil électroportatif.**
- ▶ **Tenir l'outil par les surfaces de préhension isolées, lors de la réalisation d'une opération au cours de laquelle l'organe de coupe ou le dispositif de serrage peut entrer en contact avec un câblage non apparent ou son propre cordon d'alimentation.** Le contact avec un fil "sous tension" peut également mettre "sous tension" les parties métalliques exposées de l'outil électrique et provoquer un choc électrique sur l'opérateur.

### Changement de la position du burin (Vario-Lock) (GBH 2-24 DRE, GBH 2-24 DFR)

Il est possible de bloquer le burin dans 36 positions. Ceci permet de toujours travailler dans une position de travail optimale.

- Insérez le burin dans le porte-outil.
- Tournez le sélecteur stop de rotation/de frappe (11) dans la position « Vario-Lock ».
- Tournez le porte-outil jusqu'à ce que le burin se trouve dans la position souhaitée.
- Tournez le sélecteur stop de rotation/de frappe (11) dans la position « Burinage ». Le porte-outil est alors bloqué.
- Pour buriner, sélectionnez le sens de rotation vers la droite.

### Montage d'embouts de vissage (voir figure L)

- ▶ **Positionnez l'outil électroportatif sur la vis/sur l'écrou seulement lorsqu'il est à l'arrêt.** Un accessoire en rotation risque de glisser.

L'utilisation d'embouts de vissage nécessite de disposer d'un porte-embout universel (30) avec queue SDS-plus (accessoire).

- Nettoyez l'emmanchement du dispositif de fixation et graissez-le légèrement.
- Enfoncez le porte-outil universel en le tournant dans le porte-outil jusqu'à ce qu'il se verrouille automatiquement.
- Contrôlez qu'il est bien verrouillé en tirant sur le porte-outil universel.
- Mettez un embout de vissage dans le porte-outil universel. N'utilisez que des embouts de vissage adaptés à la tête de vis que vous voulez utiliser.
- Pour démonter le porte-outil universel, poussez la bague de verrouillage (5) vers l'arrière et retirez le porte-outil universel (30) du porte-outil.

## Entretien et service après-vente

### Nettoyage et entretien

- ▶ **Débranchez le câble d'alimentation de la prise avant d'effectuer des travaux quels qu'il soient sur l'outil électroportatif.**
- ▶ **Tenez toujours propres l'outil électroportatif ainsi que les fentes de ventilation afin d'obtenir un travail impeccable et sûr.**
- ▶ **Remplacez immédiatement le capuchon anti-poussière s'il est endommagé. Il est recommandé de faire effectuer ce travail dans un centre de service après-vente.**
- Nettoyez le porte-outil (3) après chaque utilisation.

Dans le cas où il s'avère nécessaire de remplacer le câble d'alimentation, confiez le remplacement à **Bosch** ou une station de Service Après-Vente agréée pour outillage **Bosch** afin de ne pas compromettre la sécurité.

### Service après-vente et conseil utilisateurs

Notre Service après-vente répond à vos questions concernant la réparation et l'entretien de votre produit et les pièces de rechange. Vous trouverez des vues éclatées et des informations sur les pièces de rechange sur le site : **www.bosch-pt.com**

L'équipe de conseil utilisateurs Bosch se tient à votre disposition pour répondre à vos questions concernant nos produits et leurs accessoires.

**www.powertool-portal.de**, le portail Internet pour artisans et bricoleurs.

Pour toute demande de renseignement ou commande de pièces de rechange, précisez impérativement la référence à 10 chiffres figurant sur l'étiquette signalétique du produit.

### Algérie

Siestal  
 Zone Industrielle Ihaddaden  
 06000 Bejaia  
 Tel. : +213 (0) 982 400 991/2  
 Fax : +213 (0) 3 420 1569  
 E-Mail : sav@siestal-dz.com

#### Maroc

Robert Bosch Morocco SARL  
 53, Rue Lieutenant Mahroud Mohamed  
 20300 Casablanca  
 Tel. : +212 5 29 31 43 27  
 E-Mail : sav.outillage@ma.bosch.com

#### Tunisie

Robert Bosch Tunisie SARL  
 7 Rue Ibn Battouta Z.I. Saint Gobain  
 Mégrine Riadh  
 2014 Ben Arous  
 Tél. : +216 71 427 496/879  
 Fax : +216 71 428 621  
 E-Mail : sav.outillage@tn.bosch.com

#### Côte d'Ivoire

Rimco  
 ZONE 3, 9 RUE DU CANAL  
 01 BP V230, Abidjan 01  
 Tel. : +225 21 25 93 38

#### Sénégal

Bernabé  
 Km 2,5 – Bd du Centenaire de la Commune de Dakar  
 B.P. 2098 DAKAR  
 Tel. : +221 33 849 01 01  
 Fax : +221 33 823 34 20

### Élimination des déchets

Les outils électroportatifs, ainsi que leurs accessoires et emballages, doivent pouvoir suivre chacun une voie de recyclage appropriée.



Ne jetez pas les outils électroportatifs avec les ordures ménagères !

#### Seulement pour les pays de l'UE :

Conformément à la directive européenne 2012/19/UE relative aux déchets d'équipements électriques et électroniques et sa mise en vigueur conformément aux législations nationales, les outils électroportatifs dont on ne peut plus se servir doivent être isolés et suivre une voie de recyclage appropriée.



## Português

### Instruções de segurança

#### Indicações gerais de advertência para ferramentas eléctricas

##### ⚠ AVISO

**Devem ser lidas todas as indicações de advertência e todas**

**as instruções.** O desrespeito das advertências e instruções apresentadas abaixo pode causar choque eléctrico, incêndio e/ou graves lesões.

#### Guarde bem todas as advertências e instruções para futura referência.

O termo "ferramenta eléctrica" utilizado a seguir nas indicações de advertência, refere-se a ferramentas eléctricas operadas com corrente de rede (com cabo de rede) e a ferramentas eléctricas operadas com acumulador (sem cabo de rede).

#### Segurança da área de trabalho

- ▶ **Mantenha a sua área de trabalho sempre limpa e bem iluminada.** Desordem ou áreas de trabalho insuficientemente iluminadas podem levar a acidentes.
- ▶ **Não trabalhar com a ferramenta eléctrica em áreas com risco de explosão, nas quais se encontrem líquidos, gases ou pós inflamáveis.** Ferramentas eléctricas produzem faíscas, que podem inflamar pós ou vapores.
- ▶ **Manter crianças e outras pessoas afastadas da ferramenta eléctrica durante a utilização.** No caso de distração é possível que perca o controlo sobre o aparelho.

#### Segurança eléctrica

- ▶ **A ficha de conexão da ferramenta eléctrica deve caber na tomada. A ficha não deve ser modificada de maneira alguma. Não utilizar uma ficha de adaptação junto com ferramentas eléctricas protegidas por ligação à terra.** Fichas não modificadas e tomadas apropriadas reduzem o risco de um choque eléctrico.
- ▶ **Evitar que o corpo possa entrar em contacto com superfícies ligadas à terra, como tubos, aquecimentos, fogões e frigoríficos.** Há um risco elevado devido a um choque eléctrico, se o corpo estiver ligado à terra.
- ▶ **Manter o aparelho afastado de chuva ou humidade.** A infiltração de água numa ferramenta eléctrica aumenta o risco de choque eléctrico.
- ▶ **Não deverá utilizar o cabo para outras finalidades. Nunca utilizar o cabo para transportar a ferramenta eléctrica, para pendurá-la, nem para puxar a ficha da tomada. Manter o cabo afastado do calor, do óleo, de arestas afiadas ou de peças em movimento.** Cabos danificados ou emaranhados aumentam o risco de um choque eléctrico.

- ▶ **Se trabalhar com uma ferramenta eléctrica ao ar livre, só deverá utilizar cabos de extensão apropriados para áreas exteriores.** A utilização de um cabo de extensão apropriado para áreas exteriores reduz o risco de um choque eléctrico.
- ▶ **Se não for possível evitar o funcionamento da ferramenta eléctrica em áreas húmidas, deverá ser utilizado um disjuntor de corrente de avaria.** A utilização de um disjuntor de corrente de avaria reduz o risco de um choque eléctrico.

#### Segurança de pessoas

- ▶ **Esteja atento, observe o que está a fazer e tenha prudência ao trabalhar com a ferramenta eléctrica. Não utilizar uma ferramenta eléctrica quando estiver fatigado ou sob a influência de drogas, álcool ou medicamentos.** Um momento de descuido ao utilizar a ferramenta eléctrica, pode levar a lesões graves.
- ▶ **Utilizar equipamento de protecção individual. Utilizar sempre óculos de protecção.** A utilização de equipamento de protecção pessoal, como máscara de protecção contra pó, sapatos de segurança antiderrapantes, capacete de segurança ou protecção auricular, de acordo com o tipo e aplicação da ferramenta eléctrica, reduz o risco de lesões.
- ▶ **Evitar uma colocação em funcionamento involuntária. Assegure-se de que a ferramenta eléctrica esteja desligada, antes de conectá-la à alimentação de rede e/ou ao acumulador, antes de levantá-la ou de transportá-la.** Se tiver o dedo no interruptor ao transportar a ferramenta eléctrica ou se o aparelho for conectado à alimentação de rede enquanto estiver ligado, poderão ocorrer acidentes.
- ▶ **Remover ferramentas de ajuste ou chaves de boca antes de ligar a ferramenta eléctrica.** Uma ferramenta ou chave que se encontre numa parte do aparelho em movimento pode levar a lesões.
- ▶ **Evite uma posição anormal. Mantenha uma posição firme e mantenha sempre o equilíbrio.** Desta forma é mais fácil controlar a ferramenta eléctrica em situações inesperadas.
- ▶ **Usar roupa apropriada. Não usar roupa larga nem jóias. Mantenha os cabelos, roupas e luvas afastadas de partes em movimento.** Roupas frouxas, cabelos longos ou jóias podem ser agarrados por peças em movimento.
- ▶ **Se for possível montar dispositivos de aspiração ou de recolha, assegure-se de que estejam conectados e utilizados correctamente.** A utilização de uma aspiração de pó pode reduzir o perigo devido ao pó.

#### Utilização e manuseio cuidadoso de ferramentas eléctricas

- ▶ **Não sobrecarregue a ferramenta eléctrica. Utilize a ferramenta eléctrica apropriada para o seu trabalho.** É melhor e mais seguro trabalhar com a ferramenta eléctrica apropriada na área de potência indicada.

- ▶ **Não utilizar uma ferramenta eléctrica com um interruptor defeituoso.** Uma ferramenta eléctrica que não pode mais ser ligada nem desligada, é perigosa e deve ser reparada.
- ▶ **Puxar a ficha da tomada e/ou remover o acumulador antes de executar ajustes no aparelho, de substituir acessórios ou de guardar o aparelho.** Esta medida de segurança evita o arranque involuntário da ferramenta eléctrica.
- ▶ **Guardar ferramentas eléctricas não utilizadas fora do alcance de crianças e não permitir que as pessoas que não estejam familiarizadas com o aparelho ou que não tenham lido estas instruções utilizem o aparelho.** Ferramentas eléctricas são perigosas se forem utilizadas por pessoas inexperientes.
- ▶ **Tratar a ferramenta eléctrica com cuidado. Controlar se as partes móveis do aparelho funcionam perfeitamente e não emperram, e se há peças quebradas ou danificadas que possam prejudicar o funcionamento da ferramenta eléctrica. Permitir que peças danificadas sejam reparadas antes da utilização.** Muitos acidentes têm como causa, a manutenção insuficiente de ferramentas eléctricas.
- ▶ **Manter as ferramentas de corte afiadas e limpas.** Ferramentas de corte cuidadosamente tratadas e com cantos de corte afiados emperram com menos frequência e podem ser conduzidas com maior facilidade.
- ▶ **Utilizar a ferramenta eléctrica, acessórios, ferramentas de aplicação, etc. conforme estas instruções. Considerar as condições de trabalho e a tarefa a ser executada.** A utilização de ferramentas eléctricas para outras tarefas a não ser as aplicações previstas, pode levar a situações perigosas.

#### Serviço

- ▶ **Só permita que o seu aparelho seja reparado por pessoal especializado e qualificado e só com peças de reposição originais.** Desta forma é assegurado o funcionamento seguro do aparelho.

#### Indicações de segurança para martelos

- ▶ **Use protetores auditivos.** A exposição ao ruído pode provocar a perda da audição.
- ▶ **Use o(s) punho(s) auxiliar(es), caso seja(m) fornecido(s) com a ferramenta.** A perda de controlo pode resultar em ferimentos pessoais.
- ▶ **Segure a ferramenta eléctrica nas superfícies de agarrar isoladas, ao executar uma operação onde o acessório de corte ou os parafusos possam entrar em contacto com cabos escondidos ou com o próprio cabo.** Se o acessório de corte e os parafusos entrarem em contacto com um fio "sob tensão", as partes metálicas expostas da ferramenta eléctrica ficam "sob tensão" e podem produzir um choque eléctrico.
- ▶ **Utilizar detetores apropriados, para encontrar cabos escondidos, ou consulte a companhia eléctrica local.** O contacto com cabos eléctricos pode provocar fogo e

choques elétricos. Danos em tubos de gás podem levar à explosão. A penetração num cano de água causa danos materiais ou pode provocar um choque elétrico.

- ▶ **Espebre que a ferramenta elétrica pare completamente, antes de depositá-la.** A ferramenta de aplicação pode emperrar e levar à perda de controlo sobre a ferramenta elétrica.
- ▶ **Fixar a peça a ser trabalhada.** Uma peça a ser trabalhada fixa com dispositivos de aperto ou com torno de bancada está mais firme do que segurada com a mão.

## Descrição do produto e do serviço



**Leia todas as instruções de segurança e instruções.** A inobservância das instruções de segurança e das instruções pode causar choque elétrico, incêndio e/ou ferimentos graves.

Respeite as figuras na parte da frente do manual de instruções.

### Utilização adequada

#### GBH 2-24 RE

A ferramenta elétrica é adequada para furar com percussão em betão, tijolo e pedra. Também é apropriada para furar sem impacto em madeira, metal, cerâmica e plástico. As ferramentas elétricas com regulação eletrónica e rotação à direita/esquerda também são apropriadas para aparafusar.

#### GBH 2-24 DRE/DFR

A ferramenta elétrica é adequada para furar com percussão em betão, tijolo e pedra, assim como para efetuar trabalhos de cinzelagem ligeiros. Também é apropriada para furar sem impacto em madeira, metal, cerâmica e plástico. As ferramentas elétricas com regulação eletrónica e rotação à direita/esquerda também são apropriadas para aparafusar.

### Componentes ilustrados

A numeração dos componentes ilustrados refere-se à apresentação da ferramenta elétrica na página de esquemas.

- (1) Mandril de substituição de aperto rápido (GBH 2-24 DFR)
- (2) Mandril de substituição SDS-plus (GBH 2-24 DFR)
- (3) Encabadouro SDS-plus

- (4) Capa de proteção contra pó
- (5) Bucha de travamento
- (6) Anel de travamento do mandril de substituição (GBH 2-24 DFR)
- (7) Comutador do sentido de rotação
- (8) Tecla de fixação para o interruptor de ligar/desligar
- (9) Interruptor de ligar/desligar
- (10) Tecla de desbloqueio para interruptor de bloqueio de rotação/impacto (GBH 2-24 DRE, GBH 2-24 DFR)
- (11) Interruptor de bloqueio de rotação/impacto (GBH 2-24 DRE, GBH 2-24 DFR)
- (12) Tecla para ajuste do batente de profundidade
- (13) Batente de profundidade
- (14) Punho adicional (superfície do punho isolada)
- (15) Tecla de desbloqueio para comutador "furar/furar com martelo" (GBH 2-24 RE)
- (16) Comutador "furar/furar com martelo" (GBH 2-24 RE)
- (17) Punho (superfície do punho isolada)
- (18) Parafuso de segurança para bucha de coroa dentada<sup>A)</sup>
- (19) Bucha de coroa dentada<sup>A)</sup>
- (20) Encabadouro SDS-plus para bucha<sup>A)</sup>
- (21) Encaixe (GBH 2-24 DFR)
- (22) Bucha dianteira do mandril de substituição de aperto rápido (GBH 2-24 DFR)
- (23) Anel de fixação do mandril de substituição de aperto rápido (GBH 2-24 DFR)
- (24) Abertura de aspiração Saugfix<sup>A)</sup>
- (25) Parafuso de fixação Saugfix<sup>A)</sup>
- (26) Batente de profundidade Saugfix<sup>A)</sup>
- (27) Tubo telescópio Saugfix<sup>A)</sup>
- (28) Parafuso de orelhas Saugfix<sup>A)</sup>
- (29) Tubo guia Saugfix<sup>A)</sup>
- (30) Porta-bits universal com admissão SDS-plus

<sup>A)</sup> **Acessórios apresentados ou descritos não pertencem ao volume de fornecimento padrão. Todos os acessórios encontram-se no nosso programa de acessórios.**

### Dados técnicos

Martelo perfurador		GBH 2-24 RE	GBH 2-24 DRE	GBH 2-24 DFR
Número de produto		3 611 B72 0..	3 611 B72 1..	3 611 B73 0..
Controlo das rotações		●	●	●
Parada de rotação		-	●	●
Marcha à direita/à esquerda		●	●	●
Mandril de substituição		-	-	●
Potência nominal absorvida	W	790	790	790
N.º de impactos	r.p.m.	0-4200	0-4200	0-4200

Martelo perfurador		GBH 2-24 RE	GBH 2-24 DRE	GBH 2-24 DFR
Intensidade de impacto individual conforme EPTA-Procedure 05:2016	J	2,7	2,7	2,7
Rotações nominais	r.p.m.	0–930	0–930	0–930
Encabadouro		SDS-plus	SDS-plus	SDS-plus
Diâmetro da gola do veio	mm	48,5	48,5	48,5
Diâmetro máx. de perfuração				
– Betão	mm	24	24	24
– Alvenaria (com broca de coroa oca)	mm	68	68	68
– Aço	mm	13	13	13
– Madeira	mm	30	30	30
Peso conforme EPTA-Procedure 01:2014	kg	2,8	2,8	2,9
Classe de proteção		□/II	□/II	□/II

Os dados aplicam-se a uma tensão nominal [U] de 230 V. Com tensões divergentes e em versões específicas do país, estes dados podem variar.

### Informação sobre ruídos/vibrações

Os valores de emissão de ruído foram determinados de acordo com **EN 60745-2-6**.

O nível sonoro avaliado como A da ferramenta elétrica é normalmente de: nível de pressão sonora **92,5 dB(A)**; nível de potência sonora **103,5 dB(A)**. Incerteza K = **3 dB**.

#### Utilizar proteção auditiva!

Valores totais de vibração  $a_h$  (soma dos vetores das três direções) e incerteza K determinada segundo **EN 60745-2-6**:

Furar com martelo em betão:  $a_h = 13,1 \text{ m/s}^2$ , K = **1,5 m/s<sup>2</sup>**,  
Cinzelar:  $a_h = 13,9 \text{ m/s}^2$ , K = **1,5 m/s<sup>2</sup>**,

O nível de vibrações indicado nestas instruções de serviço foi medido de acordo com um processo de medição normalizado e pode ser utilizado para a comparação de aparelhos. Ele também é apropriado para uma avaliação provisória da carga de vibrações.

O nível de vibrações indicado representa as aplicações principais da ferramenta elétrica. Se a ferramenta elétrica for utilizada para outras aplicações, com outras ferramentas de trabalho ou com manutenção insuficiente, é possível que o nível de vibrações seja diferente. Isso pode aumentar consideravelmente a carga de vibrações durante o período completo de trabalho.

Para uma avaliação exata da carga de vibrações, também deveriam ser considerados os períodos nos quais a ferramenta está desligada ou funciona, mas não está sendo utilizado. Isto pode reduzir consideravelmente a carga de vibrações durante o período completo de trabalho.

Além disso também deverão ser estipuladas medidas de segurança para proteger o operador contra o efeito de vibrações, como por exemplo: manutenção de ferramentas elétricas e acessórios, manter as mãos quentes e organização dos processos de trabalho.

## Montagem

- ▶ **Antes de todos trabalhos na ferramenta elétrica deverá puxar a ficha de rede da tomada.**

### Punho adicional

Utilize a ferramenta elétrica apenas com o punho adicional (14).

#### Virar o punho adicional (ver figura A)

Pode virar o punho adicional (14) à sua vontade, para obter uma posição de trabalho segura e sem fadiga.

- Rode a peça do punho do punho adicional (14) para a esquerda e vire o punho adicional (14) para a posição desejada. A seguir, volte a apertar a peça de punho inferior do punho adicional (14) para a direita. Observe que a cinta de aperto do punho adicional esteja na ranhura prevista para tal, que se encontra na carcaça da ferramenta.

#### Ajustar a profundidade de perfuração (ver figura B)

Com o batente de profundidade (13) é possível definir a profundidade de perfuração desejada X.

- Pressione a tecla para o ajuste do batente de profundidade (12) e coloque o batente de profundidade no punho adicional (14).  
As estrias no batente de profundidade (13) têm de ficar viradas para baixo.
- Empurre a ponta de aparafusar SDS-plus até ao batente na encabadouro SDS-plus (3). Caso contrário, a mobilidade do acessório SDS-plus pode causar um ajuste errado da profundidade de perfuração.
- Puxe o batente de profundidade para fora até a distância entre a ponta da broca e a ponta do batente de

profundidade corresponder à profundidade de perfuração **X** desejada.

### Selecionar bucha e ferramentas

Para furar com martelo e para cinzelar, são necessárias ferramentas SDS-plus, que são encaixadas na bucha SDS-plus.

Para furar sem impacto em madeira, metal, cerâmica e plástico, assim como para aparafusar, são utilizadas ferramentas sem SDS-plus (p. ex. brocas com encabadouro cilíndrico). Para estas ferramentas necessita de uma bucha de aperto rápido ou bucha de coroa dentada.

**GBH 2-24 DFR:** O mandril de substituição SDS-plus **(2)** pode ser facilmente substituído pela mandril de substituição de aperto rápido **(1)** fornecido.

### Substituir a bucha de coroa dentada (GBH 2-24 RE, GBH 2-24 DRE)

Para poder trabalhar com ferramentas sem SDS-plus (p. ex. broca com encabadouro cilíndrico), tem de montar uma bucha adequada (bucha de coroa dentada ou de aperto rápido, acessório).

#### Montar a bucha de coroa dentada (ver figura C)

- Enrosque o encabadouro SDS-plus **(20)** numa bucha de coroa dentada **(19)**. Fixe a bucha de coroa dentada **(19)** com o parafuso de segurança **(18)**. **Tenha em atenção que o parafuso de segurança tem uma rosca para a esquerda.**

#### Introduzir a bucha de coroa dentada (ver figura C)

- Limpe a haste de encaixe do adaptador e lubrifique levemente.
- Introduzir o mandril de coroa dentada, com o encabadouro, na fixação da ferramenta, girando até travar automaticamente.
- Puxe pela bucha de coroa dentada para controlar o travamento.

#### Retirar a bucha de coroa dentada

- Empurre a bucha de travamento **(5)** para trás e retire a bucha de coroa dentada **(19)**.

### Retirar/colocar o mandril de substituição (GBH 2-24 DFR)

#### Retirar o mandril de substituição (ver figura D)

- Puxe o anel de bloqueio do mandril de substituição bucha **(6)** para trás, segure-o nessa posição e puxe o mandril de substituição SDS-plus **(2)** ou o mandril de substituição de aperto rápido **(1)** para a frente.
- Após ser retirado, o mandril de substituição deve ser protegido contra sujidade.

#### Introduzir o mandril de substituição (ver figura E)

- Limpe o mandril de substituição antes de o colocar e lubrifique ligeiramente a haste de encaixe.
- Agarre o mandril de substituição SDS-plus **(2)** ou o mandril de substituição de aperto rápido **(1)** com a mão

toda. Introduza o mandril de substituição rodando-o no encaixe **(21)**, até se ouvir claramente um som de encaixe.

- O mandril de substituição trava-se automaticamente. Puxar o mandril de substituição para controlar o travamento.

### Troca de ferramenta

A capa de proteção contra pó evita **(4)** consideravelmente, que penetre pó de perfuração no encabadouro durante o funcionamento. Ao introduzir a ferramenta deverá assegurar-se de que a capa de proteção contra pó **(4)** não seja danificada.

► **Uma capa de proteção contra pó danificada deve ser substituída imediatamente. Recomendamos que o faça no Serviço de Assistência Técnica.**

#### Introduzir a ponta de aparafusar SDS-plus (ver figura F)

Com o mandril de substituição SDS-plus é possível trocar fácil e confortavelmente as ferramentas de trabalho, sem ter que utilizar outras ferramentas.

- **GBH 2-24 DFR:** Introduza o mandril de substituição SDS-plus **(2)**.
- Limpe a haste de encaixe da ponta de aparafusar e lubrifique levemente.
- Introduza a ponta de aparafusar no encabadouro, girando até travar-se automaticamente.
- Puxe a ferramenta para controlar o travamento.

A ferramenta de trabalho SDS-plus pode ser movida livremente condicionada pelo sistema. Por causa disso, ocorre um desvio de rotação em vazio. Isto não tem qualquer influência na precisão do furo, uma vez que a broca se autocentra ao furar.

#### Retirar a ferramenta de trabalho SDS-plus (ver figura G)

- Desloque a bucha de travamento **(5)** para trás e retire a ferramenta de trabalho.

#### Introduzir ferramentas de trabalho sem SDS-plus (GBH 2-24 RE, GBH 2-24 DRE)

**Nota:** Não use ferramentas sem SDS-plus para furar com martelo ou cinzelar! As ferramentas sem SDS-plus e as respetivas buchas são danificadas ao furar com martelo e a cinzelar.

- Coloque a bucha de coroa dentada **(19)**.
- Abra a bucha de coroa dentada **(19)** rodando até o acessório poder ser inserido. Introduza o acessório.
- Insira a chave de buchas nos respetivos furos da bucha de coroa dentada **(19)** e aperte o acessório uniformemente.
- **GBH 2-24 RE:** Coloque o comutador **(16)** no símbolo "Furar".
- **GBH 2-24 DRE:** Rode o interruptor de bloqueio de rotação/impacto **(11)** para a posição "Furar".

#### Retirar ferramentas de trabalho sem SDS-plus (GBH 2-24 RE, GBH 2-24 DRE)

- Rode a bucha da bucha de coroa dentada **(19)** com a ajuda da chave de buchas para a esquerda, até que a ponta de aparafusar possa ser retirada.



### Introduzir ferramentas de trabalho sem SDS-plus (GBH 2-24 DFR) (ver figura H)

**Nota:** Não use ferramentas sem SDS-plus para furar com martelo ou cinzelar! As ferramentas sem SDS-plus e as respetivas buchas são danificadas ao furar com martelo e a cinzelar.

- Introduza o mandril de substituição de aperto rápido (1).
- Segure o anel de fixação (23) do mandril de substituição de aperto rápido. Abra o encabadouro rodando a bucha dianteira (22) até ser possível introduzir a ferramenta. Segure o anel de fixação (23) e rode a bucha dianteira (22) com força no sentido da seta, até que sejam audíveis ruídos de catraca.
- Puxar a ferramenta para verificar se está firme.

**Nota:** se o encabadouro tiver sido aberto até ao batente, é possível que se oia um ruído de catraca ao fechar o encabadouro e o encabadouro não se fecha.

Nesse caso, rode uma vez a bucha dianteira (22) no sentido oposto ao da seta. Em seguida será possível fechar o encabadouro.

- Rode o interruptor de bloqueio de rotação/impacto (11) para a posição "Furar".

### Retirar ferramentas de trabalho sem SDS-plus (GBH 2-24 DFR) (ver figura I)

Segure o anel de fixação (23) do mandril de substituição de aperto rápido. Abra o encabadouro rodando a bucha dianteira (22) no sentido da seta até ser possível remover a ferramenta.

### Aspiração de pó com Saugfix (acessórios)

#### Aspiração de pó/de aparas

Pós de materiais como por exemplo, tintas que contém chumbo, alguns tipos de madeira, minerais e metais, podem ser nocivos à saúde. O contacto ou a inalação dos pós pode provocar reações alérgicas e/ou doenças nas vias respiratórias do utilizador ou das pessoas que se encontrem por perto.

Certos pós, como por exemplo pó de carvalho e faia são considerados como sendo cancerígenos, especialmente quando juntos com substâncias para o tratamento de madeiras (cromato, produtos de proteção da madeira). Material que contém asbesto só deve ser processado por pessoal especializado.

- Se possível deverá usar um dispositivo de aspiração de pó apropriado para o material.
- Assegurar uma boa ventilação do local de trabalho.
- É recomendável usar uma máscara de proteção respiratória com filtro da classe P2.

Observe as diretivas para os materiais a serem processados, vigentes no seu país.

- ▶ **Evite a acumulação de pó no local de trabalho.** Pós podem entrar levemente em ignição.

### Montar o dispositivo de aspiração (ver figura J)

Para a aspiração de pó é necessário um Saugfix (acessório). Ao furar, o Saugfix é retraído por uma mola, de modo que a ponta do Saugfix é mantida sempre rente à superfície.

- Pressione a tecla para o ajuste do batente de profundidade (12) e retire o batente de profundidade (13). Pressione de novo a tecla (12) e insira o Saugfix pela frente no punho adicional (14).
- Ligue uma mangueira de aspiração (diâmetro 19 mm, acessório) na abertura de aspiração (24) do Saugfix.

O aspirador de pó deve ser apropriado para o material a ser trabalhado.

Utilize um aspirador especial para aspirar pó que seja extremamente nocivo à saúde, cancerígeno ou seco.

### Ajustar a profundidade de perfuração no Saugfix (ver figura K)

Também pode determinar a profundidade de perfuração desejada X no Saugfix montado.

- Empurre a ponta de aparafusar SDS-plus até ao batente na encabadouro SDS-plus (3). Caso contrário, a mobilidade do acessório SDS-plus pode causar um ajuste errado da profundidade de perfuração.
- Solte o parafuso de orelhas (28) no Saugfix.
- Coloque a ferramenta elétrica sem a ligar na zona a furar. A ferramenta de trabalho SDS-plus tem de assentar na superfície.
- Desloque o tubo guia do (29) do Saugfix no seu suporte de forma a que a cabeça do Saugfix assente na superfície a perfurar. Não desloque o tubo guia (29) mais do que o necessário sobre o tubo telescópico (27), para que fique grande parte da escala visível no tubo telescópico (27).
- Aperte novamente o parafuso de orelhas (28). Solte o parafuso de fixação (25) no batente de profundidade do Saugfix.
- Desloque o batente de profundidade (26) no tubo telescópico (27), de forma a que a distância X indicada na imagem corresponda à profundidade de perfuração desejada.
- Aperte o parafuso de fixação (25) nessa posição.

## Funcionamento

### Colocação em funcionamento

- ▶ **Observar a tensão de rede! A tensão da fonte de corrente elétrica deve coincidir com os dados que constam na placa de características da ferramenta elétrica. Ferramentas elétricas marcadas para 230 V também podem ser operadas com 220 V.**

### Ajustar o modo de operação GBH 2-24 RE

Com o comutador "furar/furar com martelo" (16) seleciona o modo de operação da ferramenta elétrica.

- Para mudar o modo de operação pressione a tecla de desbloqueio (15) e rode o comutador "furar/furar com

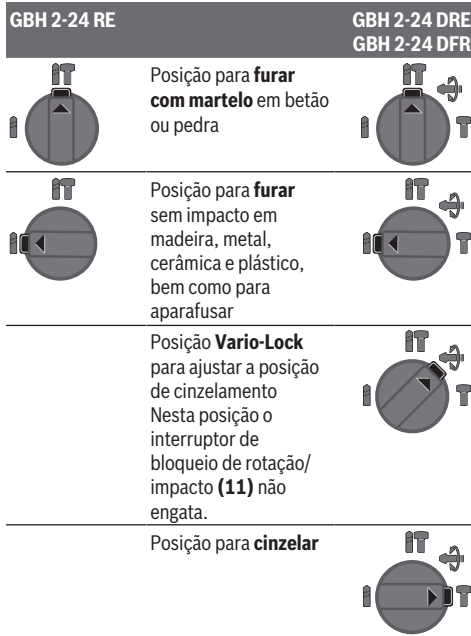
martelo" (16) a posição desejada, até ele engatar de forma audível.

#### GBH 2-24 DRE, GBH 2-24 DFR

Com o interruptor de bloqueio de rotação/impacto (11) seleciona o modo de operação da ferramenta elétrica.

- Para mudar o modo de operação pressione a tecla de desbloqueio (10) e rode o interruptor de bloqueio de rotação/impacto (11) para a posição desejada, até ele engatar de forma audível.

**Nota:** mude o modo de operação apenas com a ferramenta elétrica desligada! Caso contrário a ferramenta elétrica pode ficar danificada.



#### Ajustar o sentido de rotação

- ▶ **Acione o comutador do sentido de rotação (7) apenas com a ferramenta elétrica parada.**

Com o comutador de sentido de rotação (7) é possível alterar o sentido de rotação da ferramenta elétrica. Com o interruptor de ligar/desligar pressionado (9) isto não é possível.

- **Rotação à direita:** rode o comutador de sentido de rotação (7) de ambos os lados até ao batente na posição
- **Rotação à esquerda:** rode o comutador de sentido de rotação (7) de ambos os lados até ao batente na posição
- Ajuste o sentido de rotação para furar com martelo, furar e cinzelar sempre na rotação à direita.

#### Ligar/desligar

- Para **ligar** a ferramenta elétrica, prima o interruptor de ligar/desligar (9).

- Para **fixar** o interruptor de ligar/desligar (9) pressione o mesmo e prima também o botão de fixação (8).
- Para **desligar** a ferramenta elétrica, solte o interruptor de ligar/desligar (9). Fixado o interruptor de ligar/desligar (9), prima-o primeiro e solte-o depois.

#### Ajustar o número de rotações/impactos

Pode regular o número de rotações/impactos da ferramenta elétrica ligada de forma contínua, consoante a pressão que faz no interruptor de ligar/desligar (9).

Uma leve pressão sobre o interruptor de ligar/desligar (9) proporciona um número de rotações/impactos baixo. Aumentando a pressão, é aumentado o n.º de rotações/impactos.

#### Acoplamento de sobrecarga

- ▶ **Se o acessório emperrar ou pender, a força motriz do veio da broca é interrompida. Devido às forças que se formam, segure sempre a ferramenta elétrica bem com as duas mãos e coloque-se sobre uma base estável.**
- ▶ **Desligue a ferramenta elétrica e solte o acessório se a ferramenta elétrica encravar. Ao ligar o aparelho com uma broca bloqueada são produzidos altos momentos de reação.**

#### Instruções de trabalho

- ▶ **Antes de todos trabalhos na ferramenta elétrica deverá puxar a ficha de rede da tomada.**
- ▶ **Segure a ferramenta elétrica nas superfícies de agarrar isoladas, ao executar uma operação onde o acessório de corte ou os parafusos possam entrar em contacto com cabos escondidos ou com o próprio cabo.** Se o acessório de corte e os parafusos entrarem em contacto com um fio "sob tensão", as partes metálicas expostas da ferramenta elétrica ficam "sob tensão" e podem produzir um choque elétrico.

#### Alterar a posição do cinzel (Vario-Lock) (GBH 2-24 DRE, GBH 2-24 DFR)

Pode fixar o cinzel em 36 posições. Desta forma pode escolher a melhor posição de trabalho para si.

- Introduzir o cinzel no encabadouro.
- Rode o interruptor de bloqueio de rotação/impacto (11) para a posição "Vario-Lock".
- Rode a ponta de aparafusar para a posição do cinzel desejada.
- Rode o interruptor de bloqueio de rotação/impacto (11) para a posição "Cinzelar". Desta forma o encabadouro fica bloqueado.
- Para cinzelar, o sentido de rotação deve ser colocado na rotação à direita.

#### Introduzir as pontas de aparafusar (ver figura L)

- ▶ **Utilizar os punhos adicionais fornecidos com a ferramenta elétrica.** A perda de controle sobre a ferramenta elétrica pode levar a lesões.



Para utilizar as pontas de aparafusar necessita de um suporte universal (30) com adaptador SDS-plus (acessório).

- Limpe a haste de encaixe do adaptador e lubrifique levemente.
- Introduza o suporte universal no encabadouro, girando até travar-se automaticamente.
- Puxe pelo suporte universal para controlar o travamento.
- Introduza uma ponta de aparafusar no suporte universal. Só utilize pontas de aparafusar apropriadas para o cabeçote de aparafusamento.
- Para retirar o suporte universal empurre a bucha de travamento (5) para trás e retire o suporte universal (30) do encabadouro.

## Manutenção e assistência técnica

### Manutenção e limpeza

- ▶ **Antes de todos trabalhos na ferramenta elétrica deverá puxar a ficha de rede da tomada.**
- ▶ **Manter a ferramenta elétrica e as aberturas de ventilação sempre limpas, para trabalhar bem e de forma segura.**
- ▶ **Uma capa de proteção contra pó danificada deve ser substituída imediatamente. Recomendamos que o faça no Serviço de Assistência Técnica.**

- Limpe o encabadouro (3) depois de cada utilização.

Se for necessário instalar um cabo de ligação, a instalação deve ser feita pela **Bosch** ou por um centro de serviço autorizado para ferramentas elétricas **Bosch**, para evitar perigos de segurança.

### Serviço pós-venda e aconselhamento

O serviço pós-venda responde às suas perguntas a respeito de serviços de reparação e de manutenção do seu produto, assim como das peças sobressalentes. Desenhos explodidos e informações sobre peças sobressalentes encontram-se em: [www.bosch-pt.com](http://www.bosch-pt.com)

A nossa equipa de consultores Bosch esclarece com prazer todas as suas dúvidas a respeito dos nossos produtos e acessórios.

[www.powertool-portal.de](http://www.powertool-portal.de), o portal de Internet para operários e aficionados da bricolage.

Indique para todas as questões e encomendas de peças sobressalentes a referência de 10 dígitos de acordo com a placa de características do produto.

#### Brasil

Robert Bosch Ltda. – Divisão de Ferramentas Elétricas  
Caixa postal 1195 – CEP: 13065-900  
Campinas – SP  
Tel.: 0800 7045 446  
[www.bosch.com.br/contato](http://www.bosch.com.br/contato)

#### Angola

InvestGlobal  
Parque Logístico  
Estrada de Viana Km 12

Luanda

Tel. : +212 948 513 580

E-Mail: [helderribeiro@investglobal-ang.com](mailto:helderribeiro@investglobal-ang.com)

### Eliminação

Ferramentas elétricas, acessórios e embalagens devem ser enviados a uma reciclagem ecológica de matérias-primas.



Não deitar ferramentas elétricas no lixo doméstico!

### Apenas para países da UE:

De acordo com a diretiva europeia 2012/19/UE para aparelhos elétricos e eletrónicos velhos, e com as respetivas realizações nas leis nacionais, as ferramentas elétricas que não servem mais para a utilização, devem ser enviadas separadamente a uma reciclagem ecológica.

## 中文

### 安全规章

#### 电动工具通用安全警告

**警告！** 警告！ 阅读所有警告和所有说明！ 不遵照以下警告和说明会导致电击、着火和 / 或严重伤害。

**保存所有警告和说明书以备查阅。**

在所有下列的警告中术语“电动工具”指市电驱动（有线）电动工具或电池驱动（无线）电动工具。

#### 工作场地的安全

- ▶ **保持工作场地清洁和明亮。** 混乱和黑暗的场地会引发事故。
- ▶ **不要在易爆环境，如有易燃液体、气体或粉尘的环境下操作电动工具。** 电动工具产生的火花会点燃粉尘或气体。
- ▶ **让儿童和旁观者离开后操作电动工具。** 注意力不集中会使操作者失去对工具的控制。

#### 电气安全

- ▶ **电动工具插头必须与插座相配。** 绝不能以任何方式改装插头。需接地的电动工具不能使用任何转换插头。未经改装的插头和相配的插座将减少电击危险。
- ▶ **避免人体接触接地表面，如管道、散热片和冰箱。** 如果你身体接地会增加电击危险。
- ▶ **不得将电动工具暴露在雨中或潮湿环境中。** 水进入电动工具将增加电击危险。
- ▶ **不得滥用电线。** 绝不能用电线搬运、拉动电动工具或拔出其插头。使电线远离热源、油、锐边或运动部件。受损或缠绕的软线会增加电击危险。
- ▶ **当在户外使用电动工具时，使用适合户外使用的外接软线。** 适合户外使用的软线将减少电击危险。

- ▶ 如果在潮湿环境下操作电动工具是不可避免的，应使用剩余电流动作保护器（RCD）。使用 RCD 可减小电击危险。

### 人身安全

- ▶ 保持警觉，当操作电动工具时关注所从事的操作并保持清醒。当你感到疲倦，或在有药物、酒精或治疗反应时，不要操作电动工具。在操作电动工具时瞬间的疏忽会导致严重人身伤害。
- ▶ 使用个人防护装置。始终佩戴护目镜。安全装置，诸如适当条件下使用防尘面具、防滑安全鞋、安全帽、听力防护等装置能减少人身伤害。
- ▶ 防止意外启动。确保开关在连接电源和/或电池盒、拿起或搬运工具时处于关闭位置。手指放在已接通电源的开关上或开关处于接通时插入插头可能会导致危险。
- ▶ 在电动工具接通之前，拿掉所有调节钥匙或扳手。遗留在电动工具旋转零件上的扳手或钥匙会导致人身伤害。
- ▶ 手不要伸展得太长。时刻注意立足点和身体平衡。这样在意外情况下能很好地控制电动工具。
- ▶ 着装适当。不要穿宽松衣服或佩戴饰品。让衣服、手套和头发远离运动部件。宽松衣服、佩饰或长发可能会卷入运动部件中。
- ▶ 如果提供了与排屑、集尘设备连接用的装置，要确保他们连接完好且使用得当。使用这些装置可减少尘屑引起的危险。

### 电动工具使用和注意事项

- ▶ 不要滥用电动工具，根据用途使用适当的电动工具。选用适当设计的电动工具会使你工作更有效、更安全。
- ▶ 如果开关不能接通或关断工具电源，则不能使用该电动工具。如果开关不能接通或关断工具电源，则不能使用该电动工具。
- ▶ 在进行任何调节、更换附件或贮存电动工具之前，必须从电源上拔掉插头和/或使电池盒与工具脱离。这种防护性措施将减少工具意外启动的危险。
- ▶ 将闲置不用的电动工具贮存在儿童所及范围之外，并且不要让不熟悉电动工具或对这些说明不了解的人操作电动工具。电动工具在未经培训的用户手中是危险的。
- ▶ 保养电动工具。检查运动部件是否调整到位或卡住，检查零件破损情况和影响电动工具运行的其他状况。如有损坏，电动工具应在使用前修理好。许多事故由维护不良的电动工具引发。
- ▶ 保持切削刀具锋利和清洁。保持良好的有锋利切削刃的刀具不易卡住而且容易控制。
- ▶ 按照使用说明书，考虑作业条件和进行的作业来使用电动工具、附件和工具的刀头等。将电动工具用于那些与其用途不符的操作可能会导致危险。

### 维修

- ▶ 将电动工具用于那些与其用途不符的操作可能会导致危险。这将确保所维修的电动工具的安全性。

### 电锤安全警告

- ▶ 戴好耳罩。暴露在噪声中会引起听力损伤。
- ▶ 使用随工具提供的辅助手柄。操作失手会引起人身伤害。
- ▶ 在切削附件可能触及暗线或其自身软线之处进行操作时，要通过绝缘握持面来握持工具。切削附件碰到带电导线会使工具外露的金属零件带电从而使操作者受到电击。
- ▶ 使用合适的侦测装置侦察隐藏的电线，或者向当地的相关单位寻求支援。接触电线可能引起火灾并让操作者触电。损坏了瓦斯管会引起爆炸。凿穿水管不仅会造成严重的财物损失，也可能导致触电。
- ▶ 等待电动工具完全静止后才能够放下机器。机器上的工具可能在工作中被夹住，而令您无法控制电动工具。
- ▶ 固定好工件。使用固定装置或老虎钳固定工件，会比用手持握工件更牢固。

### 产品和性能说明



请阅读所有安全规章和指示。不遵照以下警告和说明可能导致电击、着火和/或严重伤害。

请注意本使用说明书开头部分的图示。

### 按照规定使用

#### GBH 2-24 RE

本电动工具适合于在混凝土、砖墙和石材上进行锤钻。另外也适合在木材、金属、陶材和塑料上进行无冲击钻孔。有电子调节装置和正反转功能的电动工具也能够拧转螺丝。

#### GBH 2-24 DRE/DFR

本电动工具适合在混凝土、砖墙和石材上进行锤钻以及简单的凿削作业。另外也适合在木材、金属、陶材和塑料上进行无冲击钻孔。有电子调节装置和正反转功能的电动工具也能够拧转螺丝。

### 插图上的机件

机件的编号和电动工具详解图上的编号一致。

- (1) 快速可换式钻夹头 (GBH 2-24 DFR)
- (2) SDS-plus可换式钻夹头 (GBH 2-24 DFR)
- (3) SDS-plus工具夹头
- (4) 防尘盖
- (5) 锁定套筒
- (6) 可换式钻夹头锁环 (GBH 2-24 DFR)
- (7) 正逆转开关
- (8) 电源开关的锁定按钮
- (9) 电源开关
- (10) 冲击 / 转动停止开关的解锁按钮 (GBH 2-24 DRE, GBH 2-24 DFR)
- (11) 冲击 / 转动停止开关 (GBH 2-24 DRE, GBH 2-24 DFR)
- (12) 限深器调节键

- (13) 限深器  
 (14) 辅助手柄 (绝缘握柄)  
 (15) “钻孔/锤钻”转换开关的解锁按钮 (GBH 2-24 RE)  
 (16) “钻孔/锤钻”转换开关 (GBH 2-24 RE)  
 (17) 手柄 (绝缘握柄)  
 (18) 齿环夹头固定螺丝<sup>A)</sup>  
 (19) 齿环夹头<sup>A)</sup>  
 (20) 钻夹头SDS-plus接头柄<sup>A)</sup>  
 (21) 钻夹头刀柄 (GBH 2-24 DFR)  
 (22) 快速可换式钻夹头的前套筒 (GBH 2-24 DFR)  
 (23) 快速可换式钻夹头的止动环 (GBH 2-24 DFR)  
 (24) Saugfix集尘口<sup>A)</sup>  
 (25) Saugfix夹紧螺栓<sup>A)</sup>  
 (26) Saugfix限深器<sup>A)</sup>  
 (27) Saugfix伸缩管<sup>A)</sup>  
 (28) Saugfix翼形螺栓<sup>A)</sup>  
 (29) Saugfix导管<sup>A)</sup>  
 (30) 带SDS-plus接头柄的通用连杆
- A) 图表或说明上提到的附件，并不包含在基本的供货范围中。本公司的附件清单中有完整的附件供应项目。

## 技术参数

锤钻		GBH 2-24 RE	GBH 2-24 DRE	GBH 2-24 DFR
物品代码		3 611 B72 0..	3 611 B72 1..	3 611 B73 0..
转速控制装置		●	●	●
转动停止		-	●	●
正/反转功能		●	●	●
可换式钻夹头		-	-	●
额定输入功率	瓦	790	790	790
冲击次数	转/分钟	0-4200	0-4200	0-4200
单一冲击强度符合EPTA-Procedure 05:2016	J	2.7	2.7	2.7
额定转速	转/分钟	0-930	0-930	0-930
工具夹头		SDS-plus	SDS-plus	SDS-plus
主轴颈直径	毫米	48.5	48.5	48.5
最大钻孔直径				
- 混凝土	毫米	24	24	24
- 砖墙 (使用空心钻头)	毫米	68	68	68
- 钢	毫米	13	13	13
- 木材	毫米	30	30	30
重量符合EPTA-Procedure 01:2014	千克	2.8	2.8	2.9
保护等级		□/II	□/II	□/II

本说明书提供的参数是以230 V为依据，于低电压地区，此数据有可能不同。

## 噪声/振动值

根据EN 60745-2-6确定噪音排放值。

评价为A的电动工具噪声水平通常为：声压级**92,5**分贝 (A)；声功率级**103,5**分贝 (A)。不确定性系数K = **3**分贝。

### 请佩戴听力防护装置!

根据EN 60745-2-6确定振动总值 $a_h$  (三个方向的矢量和) 和不确定性系数K:

混凝土锤钻:  $a_h = 13,1$  米/秒平方, K = **1,5** 米/秒平方,

凿削:  $a_h = 13,9$  米/秒平方, K = **1,5** 米/秒平方,

本说明给出的振动水平是依据一个标准化测量方式所测得的，可用于电动工具之间的比较，也适用于对振动负荷的临时估计。

给出的振动水平代表了电动工具的主要用途。但是，如果将电动工具挪作他用、使用有所偏差的工具刀头或保养不利，振动水平可能会不同。这些因素可能会在整个工作时间内明显提高振动负荷。

要精确估计振动负荷，还应考虑电动工具关闭的时间或尽管运转但实际上并未使用的时间。这些因素都会明显降低整个工作过程的振动负荷。

请制定用以保护操作者免受振动影响的附加安全措施，例如：电动工具和工具刀头的保养、手部保暖、工作流程组织。

## 安装

▶ 在电动工具上进行所有操作之前都必须从插座上拔出电源插头。

### 辅助手柄

操作电动工具时必须使用辅助手柄(14)。

#### 摆动辅助手柄 (见图片A)

可以任意摆动辅助手柄(14)，以便在工作时毫无疲劳地牢牢抓紧。

– 逆时针旋转辅助手柄(14)的下半部，并将辅助手柄(14)转到需要的位置。然后顺时针重新拧紧辅助手柄(14)的下半部。

注意，辅助手柄的固定套圈必须位于机壳上的固定套圈专属凹槽中。

#### 调整钻孔深度 (见图片B)

利用限深器(13)可以确定所需的钻深X。

– 按压限深器调节键(12)，并将限深器装入辅助手柄(14)。

限深器(13)的槽纹必须朝下。

– 将SDS-plus工具刀头推入SDS-plus工具夹头(3)，直至极限位置。如果未安装好SDS-plus工具，会影响设定深度的准确性。

– 尽可能地拉出限深器，使钻尖与限深器尖端之间的距离等于所需的钻孔深度X。

### 选择钻夹头和刀具

在进行锤钻和凿削时，您需要已插入SDS-plus钻夹头的SDS-plus刀具。

在木材、金属、陶瓷和塑料上以及拧转螺丝进行无冲击式钻孔时，可使用不带SDS-plus的刀具（例如圆柱柄钻头）。使用此类刀具时必须在机器上安装快速夹头或齿环夹头。

**GBH 2-24 DFR:** SDS-plus可换式钻夹头(2)可以便捷地换成随附的快速可换式钻夹头(1)。

### 更换齿环夹头 (GBH 2-24 RE, GBH 2-24 DRE)

为了能够使用不带SDS-plus的刀具（例如圆柱柄钻头）进行工作，您必须安装适合的钻夹头（齿环夹头或快速夹头、附件）。

#### 安装齿环夹头 (见图片C)

– 将SDS-plus接头柄(20)旋入齿环夹头(19)。用固定螺丝(18)固定齿环夹头(19)。注意，固定螺丝为左螺纹。

#### 安装齿环夹头 (见图片C)

– 清洁接头柄的末端并在接头柄末端涂抹少许油脂。

– 把齿环夹头的接头柄拧入工具夹头中，至接头柄自动锁定为止。

– 抽拉齿环夹头，以确定夹头是否已经锁定了。

### 拆卸齿环夹头

– 向后推动锁定套筒(5)并取下齿环夹头(19)。

### 拆卸/安装可换式钻夹头 (GBH 2-24 DFR)

#### 拆卸可换式钻夹头 (见图片D)

– 向后拉出可换式钻夹头锁环(6)，将其保持在这个位置，然后向前拉下SDS-plus可换式钻夹头(2)和快速可换式钻夹头(1)。

– 保护被拆下的可换式钻夹头，不要弄脏。

#### 安装可换式钻夹头 (见图片E)

– 先清洁夹头然后再安装，必须在接头柄的末端涂抹少许油脂。

– 用整只手握住可换式钻夹头锁环(6)，将可换式钻夹头拧入钻夹头刀柄(21)，直至听到清晰的卡止声。

– 此时可换式钻夹头已经自动锁定。抽拉可换式钻夹头检查其是否已经锁定。

### 更换刀具

防尘盖(4)可以防止工作时钻孔废尘侵入工具夹头中。安装刀具时要小心，勿损坏防尘盖(4)。

▶ 必须立即更换损坏的防尘盖。最好委托本公司的顾客服务处换装。

#### 安装SDS-plus工具刀头 (见图片F)

使用SDS-plus钻夹头可以简单方便地更换工具刀头，无需使用辅助工具。

– **GBH 2-24 DFR:** 安装SDS-plus可换式钻夹头(2)。

– 清洁工具刀头的末端并涂抹少许油脂。

– 把工具刀头拧入工具夹头中，必须拧转至工具自动锁定为止。

– 抽拉刀具以确定它是否已经锁定。

SDS-plus系统的工具刀头是活动的。因此在空转时会产生径向跳动偏差。该偏差对钻孔的精度没影响，因为钻孔时钻头自定心。

#### 拆卸SDS-plus工具刀头 (见图片G)

– 向后推动锁定套筒(5)，取下工具刀头。

#### 安装不带SDS-plus的工具刀头 (GBH 2-24 RE, GBH 2-24 DRE)

**提示:** 切勿使用不带SDS-plus的工具来锤钻或凿削！没有SDS-plus的工具和夹头会在进行锤钻和凿削时受损。

– 装入齿环夹头(19)。

– 旋转打开齿环夹头(19)，直至可以装入刀具。安装好刀具。

– 将夹头扳手(19)插入齿环夹头相应的孔中，然后均匀拧紧刀具。

– **GBH 2-24 RE:** 将转换按钮(16)调到“钻孔”图标上。

– **GBH 2-24 DRE:** 将冲击 / 转动停止开关(11)旋转至“钻孔”位置。

### 拆卸不带SDS-plus的工具刀头 (GBH 2-24 RE, GBH 2-24 DRE)

- 用夹头扳手逆时针转动齿环夹头(19)套筒, 直至可以拆下工具刀头。

### 安装不带SDS-plus的工具刀头 (GBH 2-24 DFR) (见图片H)

**提示:** 切勿使用不带SDS-plus的工具来锤钻或凿削! 没有SDS-plus的工具和夹头会在进行锤钻和凿削时受损。

- 安装快速可换式钻夹头(1)。
- 固定快速可换式钻夹头的止动环(23)。通过转动前套筒(22)打开工具夹头, 直至可以安装刀具。固定止动环(23), 沿箭头方向用力转动前套筒(22), 直至听到清晰的咔嗒声。
- 以抽拉的方式检查刀具是否装牢。

**提示:** 如果工具夹头被打开到极限位置, 那么在拧紧工具夹头时, 就能听见咔嗒声, 且工具夹头不能关闭。

在这种情况下逆箭头方向转动前套筒(22)一次。然后, 工具夹头才能关闭。

- 将冲击转动停止开关(11)旋转至“钻孔”位置。

### 拆卸不带SDS-plus的工具刀头 (GBH 2-24 DFR) (见图片I)

固定快速可换式钻夹头的止动环(23)。通过沿箭头方向转动前套筒(22)打开工具夹头, 直至可以拆下刀具。

## 带Saugfix (附件) 的集尘装置

### 吸锯尘/吸锯屑

含铅的颜料以及某些木材、矿物和金属的加工废尘有害健康。机器操作者或者工地附近的人如果接触、吸入这些废尘, 可能会有过敏反应或者感染呼吸道疾病。

某些尘埃 (例如加工橡木或山毛榉的废尘) 可能致癌, 特别是和处理木材的添加剂 (例如木材的防腐剂等) 结合之后。只有经过专业训练的人才能够加工含石棉的物料。

- 尽可能使用适合物料的吸尘装置。
- 工作场所要保持空气流通。
- 最好佩戴P2滤网等级的口罩。

请留心并遵守贵国和加工物料有关的法规。

- ▶ **避免让工作场所堆积过多的尘垢。** 尘垢容易被点燃。

### 安装集尘装置 (见图片J)

集尘装置需要一个Saugfix (附件) 钻孔时Saufix会回弹, 这样可以确保Saufix头能够紧贴着表面。

- 按压限深器调节键(12)并拆下限深器(13)。重新按压按钮(12), 并将Saugfix从前面装入辅助手柄(14)。
- 将吸尘管 (直径19 mm, 附件) 连接到Saufix的排气口(24)上。

根据工件的物料选择合适的集尘装置。

抽吸可能危害健康、可能导致癌症或干燥的废尘时, 务必使用特殊的集尘装置。

### 在Saufix上调整钻孔深度 (见图片K)

也可以在已安装的Saufix上设定所需的钻孔深度X。

- 将SDS-plus工具刀头推入SDS-plus工具夹头(3), 直至极限位置。如果未安装好SDS-plus工具, 会影响设定深度的准确性。
- 松开Saufix上的翼形螺栓(28)。
- 把尚未开动的电动工具紧紧地顶在待钻孔的位置上。SDS-plus工具刀头必须安装在平面上。
- 将Saufix导管(29)推入它的支架中, 以便让Saufix头可以保持在待钻孔的平面。推入导管(29)时, 尽量不要将它超出伸缩管(27)太多, 以此保证伸缩管(27)上的绝大部分刻度能够清晰可见。
- 重新拧紧翼形螺栓(28)。松开Saufix限深器上的夹紧螺栓(25)。
- 将限深器(26)尽量套到伸缩管(27)上, 直至符合图中所示您的所需钻孔深度距离X。
- 在这个位置上拧紧夹紧螺栓(25)。

## 运行

### 投入使用

- ▶ **注意电源电压!** 电源的电压必须和电动工具铭牌上标示的电压一致。标记为230伏电动工具用220伏的电压可以驱动。

### 设置运行模式

#### GBH 2-24 RE

通过“钻孔/锤钻”转换开关(16)选择电动工具的运行模式。

- 按压用于转换运行模式的解锁按钮(15), 然后转动“钻孔/锤钻”转换开关(16)到所需位置, 直至听到卡止声。

#### GBH 2-24 DRE, GBH 2-24 DFR

通过冲击 / 转动停止开关(11)选择电动工具的运行模式。

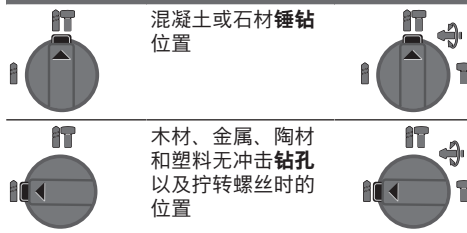
- 按压用于转换运行模式的解锁按钮(10), 然后转动冲击 / 转动停止开关(11)到所需位置, 直至听到卡止声。

**提示:** 仅可在电动工具关闭的情况下更改运行模式! 否则可能会损坏电动工具。

#### GBH 2-24 RE

#### GBH 2-24 DRE

#### GBH 2-24 DFR





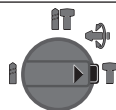
## GBH 2-24 RE

GBH 2-24 DRE  
GBH 2-24 DFR

调节凿削的**Vario-Lock**位置  
在这个位置上不卡  
止冲击 / 转动停止  
开关(11)。



凿削位置



## 调整旋转方向

► 只能在电动工具静止时操纵正逆转开关(7)。

通过正逆转开关(7)可以更改电动工具的旋转方向。  
按下起停开关(9)后无法更改。

- ➀ **正转**: 转动两面正逆转开关(7)直至极限位置  
←。
- ➁ **逆转**: 转动两面正逆转开关(7)直至极限位置  
→。
- 进行锤钻、正常钻和凿削时, 都必须把旋转方向  
设定为正转。

## 接通/关闭

- 如要**接通**电动工具, 按压电源开关(9)。
- 如要**锁定**电源开关(9), 请按住该开关并另外按压  
锁定按钮(8)。
- 如要**关闭**电动工具, 松开电源开关(9)。电源开关  
(9)锁住时, 先按压, 然后再松开。

## 调整转速 / 冲击次数

可以无级调节已接通电动工具的转速 / 冲击次数,  
视按压起停开关(9)的力度程度决定。

以较小的力按压起停开关(9)时, 转速 / 冲击次数较  
低。增强施加在起停开关上的压力, 可以提高机器  
的转速 / 冲击次数。

## 过载离合器

- 如果工具卡住了, 传往主轴的动力会中断。由于  
会产生力, 请用双手牢牢握住电动工具并站稳。
- 当电动工具卡住时, 请关闭电动工具并松开工具  
刀头。开动机器时如果安装在机器上的钻头被卡  
住了, 会产生很高的反作用扭力。

## 工作提示

- 在电动工具上进行所有操作之前都必须从插座上  
拔出电源插头。
- 在切割附件可能触及暗线或其自身软线之处进行  
操作时, 要通过绝缘握持面来握持工具。切割附  
件碰到带电导线会使工具外露的金属零件带电从  
而使操作者受到电击。

改变凿削位置 (Vario-Lock) (GBH 2-24 DRE,  
GBH 2-24 DFR)

您可以将凿削锁定在**36**的位置。如此可确保最佳的  
工作姿势。

- 把钻头装入工具夹头中。

- 将冲击 / 转动停止开关(11)旋转至“Vario-Lock”位置。
- 把钻头旋转到需要的工作位置上。
- 将冲击 / 转动停止开关(11)旋转至“凿削”位置。  
这样就能锁定工具夹头。
- 进行凿削时必须把旋转方向设定为正转。

## 安装螺丝批嘴 (见图片L)

► 先关闭电动工具, 然后再放置在螺母/螺栓上。旋  
转的工具刀头可能会滑开。

使用螺丝批嘴时, 您需要一个带SDS-plus接头柄  
(附件)的通用连杆(30)。

- 清洁接头柄的末端并在接头柄末端涂抹少许油  
脂。
- 把通用连杆插入工具夹头中, 并让连杆自动锁  
定。
- 抽拉连杆, 检查连杆是否已经正确锁牢。
- 把螺丝批嘴插入通用连杆中。必须使用与螺丝头  
大小相符的螺丝批嘴。
- 拆卸通用连杆时, 向后推锁定套筒(5), 然后从工  
具夹头中拆下通用连杆(30)。

## 保养和维修

## 维修和清洁

- 在电动工具上进行所有操作之前都必须从插座上  
拔出电源插头。
- 电动工具和通气孔必须随时保持清洁, 以确保工  
作效率和工作安全。
- 损坏的防尘盖必须立即更换。推荐由本公司的售  
后服务部门进行操作。
- 每次使用后请清洁工具夹头(3)。

如果必须更换连接线, 务必把这项工作交给**Bosch**  
或者经授权的**Bosch**电动工具售后服务部门执行,  
以避免危害工具的安全性能。

## 客户服务和应用咨询

本公司客户服务处负责回答有关本公司产品的修  
理、维护和备件的问题。备件的分解图和信息也可  
查看: [www.bosch-pt.com](http://www.bosch-pt.com)  
博世应用咨询团队乐于就我们的产品及其附件问题  
提供帮助。

[www.powertool-portal.de](http://www.powertool-portal.de), 适合工匠和DIY者的  
互联网门户网站。

如需查询和订购备件, 请务必提供产品型号铭牌上  
的10位数货号。

## 香港和澳门特别行政区

罗伯特博世有限公司  
香港北角英皇道625号,  
21楼

客户服务热线: +852 2101 0235

传真: +852 2590 9762

电子邮件: [info@hk.bosch.com](mailto:info@hk.bosch.com)

[www.bosch-pt.com.hk](http://www.bosch-pt.com.hk)

## 中国大陆

博世电动工具 (中国)

有限公司, 中国浙江省杭州市  
滨江区滨康路567号  
102/1F服务中心  
邮政编码: 310052  
电话: (0571) 8887 5566 / 5588  
传真: (0571) 8887 6688 x 5566# / 5588#  
电邮: bsc.hz@cn.bosch.com

### 中华人民共和国

#### 中国大陆

博世电动工具(中国)有限公司  
博世服务中心  
中国浙江省杭州市  
滨江区  
滨康路567号,  
310052  
电话: (0571) 8887 5566 / 5588  
传真: (0571) 8887 6688 x 5566# / 5588#  
电子邮件: bsc.hz@cn.bosch.com  
www.bosch-pt.com.cn

### 处理废弃物

必须以符合环保要求的方式回收再利用电动工具、附件和包装材料。



请勿将电动工具扔到生活垃圾中!

### 仅适用于欧盟国家:

根据废旧电气和电子设备欧洲指令2012/19/EU和转化成的国家法律, 必须将无法再使用的电动工具分开收集并以符合环保的方式回收再利用。

## 繁體中文

## 安全注意事項

### 電動工具通用安全警告

**警告** 閱讀所有警告和所有說明。不遵照以下警告和說明會導致電擊、著火和 / 或嚴重傷害。

保存所有警告和說明書以備查閱。

在所有警告中, 「電動工具」此一名詞泛指: 以市電驅動的(有線)電動工具或是以電池驅動的(無線)電動工具。

#### 工作場地的安全

- ▶ 保持工作場地清潔和明亮。雜亂和黑暗的場地會引發事故。
- ▶ 不要在易爆環境, 如有易燃液體、氣體或粉塵的環境下操作電動工具。電動工具產生的火花會點燃粉塵或氣體。
- ▶ 讓兒童和旁觀者離開後操作電動工具。注意力不集中會使您失去對工具的控制。

### 電氣安全

- ▶ 電動工具插頭必須與插座相配。絕不能以任何方式改裝插頭。需接地的電動工具不能使用任何轉換插頭。未經改裝的插頭和相配的插座將減少電擊危險。
- ▶ 避免人體接觸接地表面, 如管道、散熱片和冰箱。如果您身體接地會增加電擊危險。
- ▶ 不得將電動工具暴露在雨中或潮濕環境中。水進入電動工具將增加電擊危險。
- ▶ 不得濫用電線。絕不能用電線搬運、拉動電動工具或拔出其插頭。將電線遠離熱源、油、銳利邊緣或移動零件。受損或纏繞的軟線會增加電擊危險。
- ▶ 當在戶外使用電動工具時, 使用適合戶外使用的延長線。適合戶外使用的軟線, 將減少電擊危險。
- ▶ 如果在潮濕環境下操作電動工具是不可避免的, 應使用剩餘電流動作保護器(RCD)。使用RCD可降低電擊危險。

### 人身安全

- ▶ 保持警覺, 當操作電動工具時關注所從事的操作並保持清醒。當您感到疲倦, 或在有藥物、酒精或治療反應時, 不要操作電動工具。在操作電動工具時瞬間的疏忽會導致嚴重人身傷害。
- ▶ 使用個人防護裝置。務必佩戴護目鏡。安全裝置, 諸如適當條件下使用防塵面具、防滑安全鞋、安全帽、聽力防護等裝置能減少人身傷害。
- ▶ 防止意外起動。確保開關在連接電源和 / 或電池組、拿起或搬運工具時處於關閉位置。手指放在已接通電源的開關上或開關處於接通時插入插頭可能會導致危險。
- ▶ 在電動工具接通之前, 拿掉所有調節鑰匙或扳手。遺留在電動工具旋轉零件上的扳手或鑰匙會導致人身傷害。
- ▶ 手不要伸展得太長。時刻注意立足點和身體平衡。這樣在意外情況下能很好地控制電動工具。
- ▶ 著裝適當。不要穿著寬鬆衣服或佩戴飾品。衣服、手套和頭髮請遠離移動零件。寬鬆衣服、佩飾或長髮可能會捲入移動零件中。
- ▶ 如果有排屑、集塵設備連接用的裝置, 請確保其連接完好且使用得當。使用這些裝置可減少塵屑引起的危險。

### 電動工具使用和注意事項

- ▶ 請勿濫用電動工具, 根據用途使用適當的電動工具。選用適當設計的電動工具會使您工作更有效、更安全。
- ▶ 如果開關不能開啟或關閉工具電源, 則不能使用該電動工具。不能用開關來控制的電動工具是危險的且必須進行修理。
- ▶ 在進行任何調整、更換附件或貯存電動工具之前, 必須從電源上拔掉插頭和 / 或將電池組拆下。這種防護性措施將減少工具意外起動的危險。
- ▶ 將閒置不用的電動工具貯存在兒童所及範圍之外, 不得讓不熟悉電動工具或對這些說明不瞭解

的人操作電動工具。由未經訓練的人員使用電動工具相當危險。

- ▶ 保養電動工具。檢查移動零件是否調整到位或卡住，檢查零件破損情況和影響電動工具運轉的其他狀況。如有損壞，電動工具應在使用前修理完成。許多事故由維護不良的電動工具引發。
- ▶ 保持切削刀具鋒利和清潔。保養良好的有鋒利切削刃的刀具不易卡住而且容易控制。
- ▶ 按照使用說明書，考慮作業條件和進行的作業來使用電動工具、配件和工具的尖端等。將電動工具用於那些與其用途不符的操作可能會導致危險。

#### 檢修

- ▶ 將您的電動工具送交專業維修人員，必須使用同樣的備件進行更換。這樣將確保所維修的電動工具的安全性。

#### 鏈鑽安全警告

- ▶ 請戴上耳罩。暴露在噪音下會造成聽力喪失。
- ▶ 請使用工具的輔助把手（若有配備）。失去控制可能會造成人員受傷。
- ▶ 進行作業時，負責進行切割的配件可能會碰觸到隱藏的配線，請從絕緣握把處拿持電動工具。負責進行切割的配件及固定釘若是觸及「導電」電線，可能導致電動工具外露的金屬部件「導電」，進而使操作人員遭受電擊。
- ▶ 使用合適的偵測裝置偵察隱藏的電線，或者向當地的相關單位尋求支援。接觸電線可能引起火災並讓操作者觸電。若損壞瓦斯管會引起爆炸。鑿穿水管不僅會造成嚴重的財物損失，也可能導致觸電。
- ▶ 必須等待電動工具完全靜止後才能將它放下。嵌件工具可能卡住而使電動工具失控。
- ▶ 固定好工件。使用固定裝置或老虎鉗固定工件，會比用手持握工件更牢固。

#### 產品和功率描述



請詳讀所有安全注意事項和指示。如未遵守安全注意事項與指示，可能導致火災、人員遭受電擊及 / 或重傷。

請留意操作說明書中最前面的圖示。

#### 依規定使用機器

##### GBH 2-24 RE

本電動工具可以在混凝土、磚牆、和石材上進行鏈擊鑽孔。此外，它同樣也可以用無震動之方式在木材、金屬、陶瓷或塑膠等材質上進行鑽孔加工。具備電子調速和正逆轉功能的電動工具亦可用於拆裝螺栓。

##### GBH 2-24 DRE/DFR

本電動工具可以在混凝土、磚牆、和石材上進行鏈

擊鑽孔，而且也具備了簡單的鑿削功能。此外，它同樣也可以用無震動之方式在木材、金屬、陶瓷或塑膠等材質上進行鑽孔加工。具備電子調速和正逆轉功能的電動工具亦可用於拆裝螺栓。

#### 插圖上的機件

機件的編號和電動工具詳解圖上的編號一致。

- (1) 快換夾頭 (GBH 2-24 DFR)
- (2) SDS-plus (四坑系統) 夾頭 (GBH 2-24 DFR)
- (3) SDS-plus (四坑系統) 工具接頭
- (4) 防塵蓋
- (5) 鎖定套筒
- (6) 夾頭鎖止環 (GBH 2-24 DFR)
- (7) 正逆轉開關
- (8) 起停開關鎖止按鈕
- (9) 起停開關
- (10) 鏈擊 / 旋轉停止開關的解鎖按鈕 (GBH 2-24 DRE、GBH 2-24 DFR)
- (11) 鏈擊 / 旋轉停止開關 (GBH 2-24 DRE、GBH 2-24 DFR)
- (12) 限深擋塊調整按鈕
- (13) 限深擋塊
- (14) 輔助手柄 (絕緣握柄)
- (15) 「鑽孔 / 鏈擊鑽孔」切換開關的解鎖按鈕 (GBH 2-24 RE)
- (16) 「鑽孔 / 鏈擊鑽孔」切換開關 (GBH 2-24 RE)
- (17) 把手 (絕緣握柄)
- (18) 齒環式夾頭的防鬆螺栓<sup>A)</sup>
- (19) 齒環式夾頭<sup>A)</sup>
- (20) 插入夾頭的 SDS-plus 接頭柄<sup>A)</sup>
- (21) 夾頭轉接頭 (GBH 2-24 DFR)
- (22) 快換夾頭的前端套筒 (GBH 2-24 DFR)
- (23) 快換夾頭的固定環 (GBH 2-24 DFR)
- (24) Saugfix 裝置的抽吸口<sup>A)</sup>
- (25) Saugfix 裝置的止付螺栓<sup>A)</sup>
- (26) Saugfix 裝置的限深擋塊<sup>A)</sup>
- (27) Saugfix 裝置的伸縮管<sup>A)</sup>
- (28) Saugfix 裝置的蝶翼螺栓<sup>A)</sup>
- (29) Saugfix 裝置的導管<sup>A)</sup>
- (30) 具有 SDS-plus (四坑系統) 接頭柄的萬用接焊

A) 圖表或說明上提到的配件，並不包含在基本的供貨範圍中。本公司的配件清單中有完整的配件供應項目。



## 技術性數據

鏈鑽		GBH 2-24 RE	GBH 2-24 DRE	GBH 2-24 DFR
產品機號		3 611 B72 0..	3 611 B72 1..	3 611 B73 0..
轉速調控		●	●	●
停止旋轉		-	●	●
正逆轉功能		●	●	●
夾頭		-	-	●
額定輸入功率	W	790	790	790
衝擊次數	次 / 分	0-4200	0-4200	0-4200
單次鏈擊強度符合 EPTA-Procedure 05:2016	J	2.7	2.7	2.7
額定轉速	次 / 分	0-930	0-930	0-930
工具夾頭		SDS-plus	SDS-plus	SDS-plus
軸頭直徑	mm	48.5	48.5	48.5
最大鑽孔直徑				
- 混凝土	mm	24	24	24
- 砌牆 (使用空心鑽頭)	mm	68	68	68
- 鋼材	mm	13	13	13
- 木材	mm	30	30	30
重量符合 EPTA-Procedure 01:2014	kg	2.8	2.8	2.9
絕緣等級		□/II	□/II	□/II

本說明書提供的數值是以 230 伏特為依據，於使用不同電壓的地區，此數據有可能不同。

## 噪音 / 振動值

噪音強度是依照 EN 60745-2-6 之規定而測得的數值。

電動工具的噪音量評等為 A 級，其標準值為：音壓強度 92,5 dB(A)；聲功率級 103,5 dB(A)。不確定係數 K = 3 dB。

請佩戴耳罩！

振動總量  $a_h$  (三個方向的向量總和) 以及不確定性係數 K 是依照 EN 60745-2-6 測得：

對混凝土鏈擊鑽孔： $a_h = 13,1 \text{ m/s}^2$ ， $K = 1,5 \text{ m/s}^2$ ，

挖鑿： $a_h = 13,9 \text{ m/s}^2$ ， $K = 1,5 \text{ m/s}^2$ ，

本說明書中所載述的振動值皆是按照標準測量程序測得，可與其他電動工具的規格直接進行比較。此數值亦適用於初步評估振動負荷。

列示的振動值代表電動工具的主要用途。電動工具若是用於其他用途、使用非指定嵌件工具、或維護不當，皆可能造成振動值有所偏差，而使整個工作期間的振動負荷提高。

為能正確估算振動負荷，您應將工具關機或空轉的時間一併納入考量。這麼做可使整個工作期間的振動負荷降低。

另外請您制定一套安全措施，以免振動對操作者產生不良影響，例如：維護電動工具與嵌件工具、確保雙手保暖、適當地編排工作步驟。

## 安裝

► 維修電動工具或換裝零、配件之前，務必從插座上拔出插頭。

## 輔助手柄

操作電動工具時務必使用輔助手柄 (14)。

翻轉輔助手柄 (請參考圖 A)

輔助手柄 (14) 可隨意翻轉，以便採取一個穩固而不容易感到疲勞的工作姿勢。

- 逆時針旋轉輔助手柄 (14) 的下方握把處，以便將輔助手柄 (14) 轉至所需位置。然後再順時針旋轉輔助手柄 (14) 的下方握把處，將它重新鎖緊。注意，輔助手柄的固定套圈必須位於機殼上的固定套圈專屬凹槽中。

調整鑽孔深度 (請參考圖 B)

您可利用限深擋塊 (13) 設定所需鑽孔深度 X。

- 請按壓限深擋塊調整按鈕 (12) 然後將限深擋塊安裝到輔助手柄 (14) 上。限深擋塊 (13) 上的刻紋必須朝下。
- 將 SDS-plus 嵌件工具往 SDS-plus 工具夾頭 (3) 推入到底。如果未安裝好工具，會影響設定深度的準確性。
- 將限深擋塊拉出至，鑽頭尖端與限深擋塊尖端之間的距離等於所需的鑽孔深度 X。

## 選用夾頭和工具

進行鎚擊鑽孔和鑿削時，必須使用能夠安裝在 SDS-plus 夾頭上的 SDS-plus 工具。

若要以無震動之方式在木材、金屬、陶瓷及塑膠等材質上進行鑽孔，或是想要拆裝螺栓，請使用非 SDS-plus 系統的工具（例如具有圓柱柄的鑽頭）。使用此類鑽頭時必須在機器上安裝快速夾頭或齒環式夾頭。

GBH 2-24 DFR: SDS-plus 夾頭 (2) 可以很容易地換成本工具機隨附的快換夾頭 (1)。

## 更換齒環式夾頭 (GBH 2-24 RE、GBH 2-24 DRE)

若要使用非 SDS-plus 系統的工具（例如具有圓柱柄的鑽頭）進行作業，則必須安裝適當夾頭（齒環式夾頭或快速夾頭，配件）。

### 安裝齒環式夾頭（請參考圖 C）

- 請將 SDS-plus 接頭柄 (20) 鎖進齒環式夾頭 (19) 內。用防鬆螺栓 (18) 固定住齒環式夾頭 (19)。注意：此類防鬆螺栓為左旋螺紋。

### 裝入齒環式夾頭（請參考圖 C）

- 清潔接頭柄的末端並且塗上少許潤滑油脂。
- 把齒環式夾頭的接頭柄插入工具機的工具接頭中，直至接頭柄自動鎖定為止。
- 拉動齒環式夾頭，以確認夾頭是否已確實鎖止。

### 卸下齒環式夾頭

- 將鎖止套筒 (5) 往後推，即可卸下齒環式夾頭 (19)。

## 卸下 / 裝上夾頭 (GBH 2-24 DFR)

### 卸下夾頭（請參考圖 D）

- 將夾頭鎖止環 (6) 往後拉並讓它固定在這個位置上，然後將 SDS-plus 夾頭 (2) 或快換夾頭 (1) 往前拔下。
- 夾頭取下後需妥善保護，以免受污。

### 裝上夾頭（請參考圖 E）

- 夾頭需先進行清潔然後才可安裝，必須在接頭柄的插入端塗上少許油脂。
- 用整個手掌環握住 SDS-plus 夾頭 (2) 或快換夾頭 (1)。將夾頭一邊旋轉一邊推至夾頭轉接頭 (21) 上，直到清楚聽見卡上的聲音。
- 此時夾頭已經自動鎖定。但是仍需拉動夾頭，以檢查是否已確實鎖止。

## 更換工具

防塵蓋 (4) 可防止鑽孔時所產生的大部份粉塵侵入夾頭。安裝工具時要小心，請勿損壞防塵蓋 (4)。

- ▶ 防塵蓋若有受損，應立即更換。最好委託本公司的顧客服務處換裝。

### 裝上 SDS-plus 嵌件工具（請參考圖 F）

夾頭採 SDS-plus（四坑系統）設計，能夠簡便地更換嵌件工具，無需借助其它輔助工具。

- GBH 2-24 DFR: 直接將 SDS-plus 夾頭 (2) 裝入即可。
- 清潔嵌件工具的插入端並且塗上少許潤滑油脂。
- 把嵌件工具轉進工具夾頭中，必須轉至嵌件工具自動鎖定為止。
- 拉動工具以確認它是否已正確鎖止。

SDS-plus 嵌件工具是活動的，因此在無負載狀態下此類工具會偏心旋轉。開始鑽孔時此工具便會自動置中，因此上述現象並不會影響鑽孔準確度。

### 取出 SDS-plus 嵌件工具（請參考圖 G）

- 將鎖定套筒 (5) 往後推，然後便可取出嵌件工具。

### 裝上非 SDS-plus 系統的嵌件工具 (GBH 2-24 RE, GBH 2-24 DRE)

提示：請勿使用非 SDS-plus 系統的工具進行鎚擊鑽孔或鑿削！非 SDS-plus 系統的工具和夾頭會在進行鎚擊鑽孔和鑿削時受損。

- 請裝上齒環式夾頭 (19)。
- 透過旋轉方式，將齒環式夾頭 (19) 打開至能夠裝入工具為止。裝入工具。
- 將夾頭扳手插進齒環式夾頭 (19) 的對應孔，然後均勻地施力將工具夾緊。
- GBH 2-24 RE: 將切換開關 (16) 移至「鑽孔」符號。
- GBH 2-24 DRE: 將鎚擊 / 旋轉停止開關 (11) 轉至「鑽孔」位置。

### 卸下非 SDS-plus 系統的嵌件工具 (GBH 2-24 RE, GBH 2-24 DRE)

- 用夾頭扳手逆時針旋轉齒環式夾頭的套筒 (19)，直到能取出嵌件工具為止。

### 裝上非 SDS-plus 系統的嵌件工具 (GBH 2-24 DFR)（請參考圖 H）

提示：請勿使用非 SDS-plus 系統的工具進行鎚擊鑽孔或鑿削！非 SDS-plus 系統的工具和夾頭會在進行鎚擊鑽孔和鑿削時受損。

- 請裝上快換夾頭 (1)。
- 必須握好快換夾頭的固定環 (23)，讓它留在原位不動。旋轉前端套筒 (22)，以便工具夾頭打開至能夠裝入工具的程度。請將固定環 (23) 握住不動，然後沿箭頭方向用力轉緊前端套筒 (22)，此時必須清楚聽見軋軋聲。
- 透過拉動，確認工具是否已裝牢。

提示：如果工具夾頭先前已完全開啟至極限位置，那麼旋轉工具夾頭使之閉合時，即使聽見軋軋聲也不代表工具夾頭已鎖上。

這時候請您再沿著箭頭的相反方向轉一下前端套筒 (22)。然後工具夾頭便能確實閉合。

- 請將鎚擊 / 旋轉停止開關 (11) 轉至「鑽孔」位置。

### 卸下非 SDS-plus 系統的嵌件工具 (GBH 2-24 DFR)（請參考圖 I）

必須握好快換夾頭的固定環 (23)，讓它留在原位不動。沿著箭頭方向旋轉前端套筒 (22)，以便將工具夾頭打開至能夠取下工具的程度。

## 搭配 Saugfix 的吸塵裝置 (配件)

### 吸除廢塵 / 料屑

含鉛顏料、部分木材種類、礦石和金屬的加工廢塵有害健康。機器操作者或施工現場附近的人員如果接觸、吸入這些廢塵，可能會引發過敏反應或感染呼吸道疾病。

某些塵埃 (例如加工橡木或山毛櫸的廢塵) 可能致癌，特別是與處理木材的添加劑 (例如木材的防腐劑等) 結合之後。唯有受過專業訓練的人才能夠進行含石棉物料的加工。

— 儘可能使用適合物料的吸塵裝置。

- 工作場所要保持空氣流通。
- 建議佩戴 P2 過濾等級的口罩。

請留意並遵守貴國的物料加工相關法規。

▶ 避免讓工作場所堆積過多的塵垢。塵埃容易被點燃。

### 安裝吸塵設備 (請參考圖 J)

吸塵設備須使用 Saugfix 裝置 (配件)。鑽孔時，Saugfix 裝置頂部會往後回彈，這樣的設計可以確保 Saugfix 裝置始終緊貼著工件表面。

- 請按限深擋塊調整按鈕 (12) 然後取出限深擋塊 (13)。請再次按壓按鈕 (12) 並將 Saugfix 裝置從前面裝入輔助手柄 (14) 中。
- 將吸塵管 (直徑 19 mm, 配件) 連接至 Saugfix 裝置的抽吸口 (24) 上。

根據工件材質選擇合適的吸塵器。

吸集可能危害健康、可能致癌或乾燥的廢塵時，務必使用特殊吸塵器。

### 在 Saugfix 裝置上調整鑽孔深度 (請參考圖 K)

即使 Saugfix 裝置已裝上，您仍可確認所需的鑽孔深度 X。

- 將 SDS-plus 嵌件工具往 SDS-plus 工具夾頭 (3) 推入到底。如果未裝好工具，會影響深度設定的準確性。
- 鬆開 Saugfix 裝置上的蝶翼螺栓 (28)。
- 把尚未啟動的電動工具緊緊地頂在工件的待鑽孔位置上。SDS-plus 嵌件工具也必須緊貼著工件表面。
- 挪動 Saugfix 裝置導管 (29) 在托架中的位置，使 Saugfix 裝置頂部能完全貼合在待鑽孔的表面上。導管 (29) 推至伸縮管 (27) 之上後，請勿繼續推至超過必要距離，您應要能夠看見伸縮管 (27) 上的大部份刻度。
- 重新鎖緊蝶翼螺栓 (28)。鬆開 Saugfix 裝置限深擋塊上的止付螺栓 (25)。
- 如圖所示，將限深擋塊 (26) 推至伸縮管 (27) 上，使距離 X 等於所需的鑽孔深度。
- 將止付螺栓 (25) 鎖緊在這個位置上。

## 操作

### 操作機器

▶ 請注意電源電壓！電源的電壓必須和電動工具銘牌上標示的電壓一致。標示為 230 V 的電動工具亦可接上 220 V 電源。

### 設定操作模式

#### GBH 2-24 RE

您可利用「鑽孔 / 鎚擊鑽孔」切換開關 (16) 選擇電動工具的操作模式。

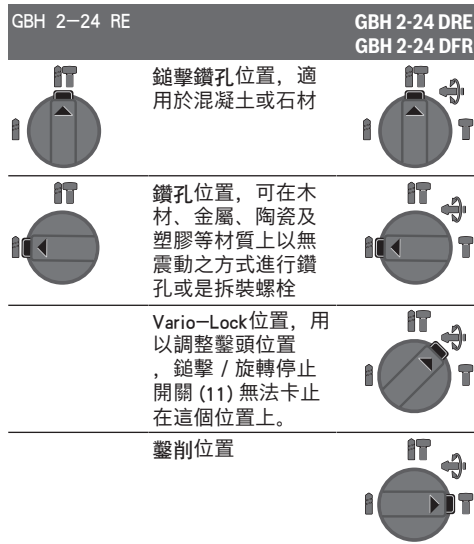
- 若要切換操作模式，請按壓解鎖按鈕 (15) 並將「鑽孔 / 鎚擊鑽孔」切換開關 (16) 轉至所需位置，此時應要聽見卡上的聲音。

#### GBH 2-24 DRE, GBH 2-24 DFR

您可利用鎚擊 / 旋轉停止開關 (11) 選擇電動工具的操作模式。





- 若要切換操作模式，請按壓解鎖按鈕 (10) 並將鎚擊 / 旋轉停止開關 (11) 轉至所需位置，此時應要聽見卡上的聲音。

提示：請務必在電動工具關閉電源時才變更操作模式！否則可能造成電動工具損壞。



### 設定旋轉方向

▶ 電動工具靜止時，才能操作正逆轉開關 (7)。透過正逆轉開關 (7) 即可變更電動工具的旋轉方向。但按下起停開關 (9) 時，將無法這樣做。

-  正轉：將兩邊的正逆轉開關 (7) 都轉到底位置，對準位置 。
-  逆轉：將兩邊的正逆轉開關 (7) 都轉到底位置，對準位置 。
- 進行鎚擊鑽孔、一般鑽孔及鑿削時，都必須設為正轉。

**啟動 / 關閉**

- 若要啟動電動工具：按下起停開關 (9)。
- 若要固定起停開關 (9) 的位置，請將它按住不放並同時按壓鎖止按鈕 (8)。
- 若要關閉電動工具，放開起停開關 (9) 即可。起停開關 (9) 的位置若是已被鎖定，請按一下該開關然後放開。

**調整轉速 / 衝擊次數**

您可為已啟動的電動工具無段調控轉速 / 衝擊次數，轉速是由按壓起停開關 (9) 的深度決定。

輕按起停開關 (9) 時，轉速 / 衝擊次數較低。逐漸在開關上加壓，轉速 / 衝擊次數也會跟著提高。

**過載離合器**

- ▶ 如果工具卡住了，傳往主軸的動力會中斷。請務必用雙手握穩電動工具並採取穩固站姿，以隨時承受此時出現的作用力。
- ▶ 如果電動工具卡死，請關閉電動工具的電源，然後鬆開嵌件工具。啟動機器時如果安裝在機器上的鑽孔工具被卡住了，會產生高的反作用扭力。

**作業注意事項**

- ▶ 維修電動工具或換裝零、配件之前，務必從插座上拔出插頭。
- ▶ 進行作業時，負責進行切割的配件可能會碰觸到隱藏的配線，請從絕緣握把處拿持電動工具。負責進行切割的配件及固定釘若是觸及「導電」電線，可能導致電動工具外露的金屬部件「導電」，進而使操作人員遭受電擊。

**改變鑿頭位置 (Vario-Lock) (GBH 2-24 DRE, GBH 2-24 DFR)**

鑿頭可固定在 36 個不同的位置上。藉此，您可採取最佳的工作姿勢。

- 把鑿頭插進工具夾頭中。
- 請將鎚擊 / 旋轉停止開關 (11) 轉至「Vario-Lock」位置。
- 把鑿頭旋轉到所需的工作位置上。
- 請將鎚擊 / 旋轉停止開關 (11) 轉至「鑿削」位置。工具夾頭隨之鎖定。
- 進行鑿削時必須設為正轉。

**裝上螺絲起子工具頭 (請參考圖 L)**

- ▶ 電動工具應先停止運轉，然後才放到螺母 / 螺栓上。轉動中的嵌件工具可能會滑開。
- 若要使用螺絲起子工具頭，須備妥一個具有 SDS-plus 接頭柄的萬用接桿 (30) (配件)。
- 清潔接頭柄的末端並且塗上少許潤滑油脂。
- 把萬用接桿轉進工具接頭中，必須轉至萬用接桿自動鎖定為止。
- 拉動萬用接桿，以確認萬用接桿是否已確實鎖止。
- 把螺絲起子工具頭插入萬用接桿中。必須使用與螺絲頭大小相符的螺絲起子工具頭。

- 若要取下萬用接桿，請將鎖定套筒 (5) 往後推，然後將萬用接桿 (30) 從工具夾頭中取出即可。

**維修和服務****維修和清潔**

- ▶ 維修電動工具或換裝零、配件之前，務必從插座上拔出插頭。
- ▶ 電動工具和通風口都必須保持清潔，這樣才能夠提高工作品質和安全性。
- ▶ 防塵蓋若有受損，應立即更換。最好委託本公司的顧客服務處換裝。
- 每次使用後，請清潔工具夾頭 (3)。

如果必須更換連接線，請務必交由 Bosch 或者經授權的 Bosch 電動工具客戶服務中心執行，以避免危及機器的安全性能。

**顧客服務處和顧客諮詢中心**

本公司顧客服務處負責回答有關本公司產品的維修、維護和備用零件的問題。如需分解圖和備件的資料，請至以下網頁：[www.bosch-pt.com](http://www.bosch-pt.com)

若對本公司產品及其配件有任何疑問，博世應用諮詢小組很樂意為您提供協助。

工匠與 DIY 玩家網路平台入口：[www.powertool-portal.de](http://www.powertool-portal.de)

當您需要諮詢或訂購備用零件時，請務必提供本產品銘牌上的 10 位零件編號。

**台灣**

台灣羅伯特博世股份有限公司

建國北路一段90號6樓

台北市10491

電話: (02) 2515 5388

傳真: (02) 2516 1176

[www.bosch-pt.com.tw](http://www.bosch-pt.com.tw)

**制造商地址:**

Robert Bosch Power Tools GmbH

羅伯特·博世電動工具有限公司

70538 Stuttgart / GERMANY

70538 斯圖加特/德國

**廢棄物處理**

必須以符合環保的方式，回收再利用損壞的機器、配件和廢棄的包裝材料。



不可以把電動工具丟入一般的家庭垃圾中。

**僅適用於歐盟國家:**

依據歐盟的廢電器電子設備指令 2012/19/EU 及其落實在各國當地的法令條文，無法再繼續使用的電動工具必須分別收集起來，然後遵照環保相關法規進行資源回收。

設備名稱：鏈鑽，型號（型式）：GBH 2-24 RE & GBH 2-24 DRE

限用物質及其符號

單元	鉛 (Pb)	汞 (Hg)	鎘 (Cd)	六價鉻 (Cr <sup>+6</sup> )	多溴聯苯 (PBB)	多溴二苯醚 (PBDE)
電源開關	超出 0.01 wt %	○	○	○	○	○
電容器	○	○	○	○	○	○
馬達	○	○	○	○	○	○
電源線	○	○	○	○	○	○
外殼(塑料)	○	○	○	○	○	○

備考 1. "超出 0.1 wt %" 及 "超出 0.01 wt %" 係指限用物質之百分比含量超出百分比含量基準值。

備考 2. "○" 係指該項限用物質之百分比含量未超出百分比含量基準值。

備考 3. "-" 係指該項限用物質為排除項目。

## 한국어

### 안전 수칙

#### 전동공구용 일반 안전수칙

**⚠ 경고** 모든 안전수칙과 지시 사항을 상세히 읽고 지켜야 합니다. 다 음의 안전수칙과 지시 사항을 준수하지 않으면 화재 위험이 있으며 감전 혹은 중상을 입을 수 있습니다. 앞으로 참고할 수 있도록 이 안전수칙과 사용 설명서를 잘 보관하십시오.

다음에서 사용되는 "전동공구"라는 개념은 전원에 연결하여 사용하는 (전선이 있는) 전동 기기나 배터리를 사용하는 (전선이 없는) 전동 기기를 의미합니다.

#### 작업장 안전

- ▶ 작업장을 항상 깨끗이 하고 조명을 밝게 하십시오. 작업장 환경이 어수선하거나 어두우면 사고를 초래할 수 있습니다.
- ▶ 가연성 유체, 가스 또는 분진이 있어 폭발 위험이 있는 환경에서 전동공구를 사용하지 마십시오. 전동공구는 분진이나 증기에 점화하는 스파크를 일으킬 수 있습니다.
- ▶ 전동공구를 사용할 때 구경꾼이나 어린이 혹은 다른 사람이 작업장에 접근하지 못하게 하십시오. 다른 사람이 주의를 산만하게 하면 기기에 대한 통제력을 잃기 쉽습니다.

#### 전기에 관한 안전

- ▶ 전동공구의 전원 플러그가 전원 콘센트에 잘 맞아야 합니다. 플러그를 절대 변경시켜서는 안 됩니다. (접지된) 전동공구를 사용할 때 어댑터 플러그를 사용하지 마십시오. 변형되지 않은 플러그와 잘 맞는 콘센트를 사용하면 감전의 위험을 줄일 수 있습니다.

- ▶ 파이프 관, 라디에이터, 레인지, 냉장고와 같은 접지 표면에 몸이 닿지 않도록 하십시오. 몸에 닿을 경우 감전될 위험이 높습니다.
- ▶ 전동공구를 비에 맞지 않게 하고 습기 있는 곳에 두지 마십시오. 전동공구에 물이 들어가면 감전될 위험이 높습니다.
- ▶ 전원 코드를 잘못 사용하는 일이 없도록 하십시오. 전원 코드를 잡고 전동공구를 운반해서는 안 되며, 콘센트에서 전원 플러그를 뽑을 때 전원 코드를 잡아 당겨서는 절대로 안 됩니다. 전원 코드가 열과 오일에 접촉하는 것을 피하고, 날카로운 모서리나 기기의 가동 부위에 닿지 않도록 주의 하십시오. 손상되거나 영긴 전원 코드는 감전을 유발할 수 있습니다.
- ▶ 실외에서 전동공구로 작업할 때는 실외용으로 적당한 연장 전원 코드만을 사용하십시오. 실외용 연장 전원 코드를 사용하면 감전의 위험을 줄일 수 있습니다.
- ▶ 전동공구를 습기 찬 곳에서 사용해야 할 경우에는 누전 차단기를 사용하십시오. 누전 차단기를 사용하면 감전 위험을 줄일 수 있습니다.

#### 사용자 안전

- ▶ 신중하게 작업하며, 전동공구를 사용할 때 경솔하게 행동하지 마십시오. 피로한 상태이거나 약물 복용 및 음주한 후에는 전동공구를 사용하지 마십시오. 전동공구를 사용할 때 잠이라도 주의가 산만해지면 중상을 입을 수 있습니다.
- ▶ 작업자 안전을 위한 장치를 사용하십시오. 항상 보안경을 착용하십시오. 전동공구의 종류와 사용에 따라 먼지 보호 마스크, 미끄러지지 않는 안전한 신발, 안전모 또는 귀마개 등의 안전한 복장을 하면 상해의 위험을 줄일 수 있습니다.
- ▶ 실수로 기기가 작동되지 않도록 주의하십시오. 전동공구를 전원에 연결하거나 배터리를 끼우기 전에, 혹은 기기를 들거나 운반하기 전에, 전원 스위치가 꺼져 있는지 다시 확인하십시오. 전동공구를 운반할 때 전원 스위치에 손가락을 대거나



전원 스위치가 켜진 상태에서 전원을 연결하면 사고 위험이 높습니다.

- ▶ **전동공구를 사용하기 전에 조절하는 톨이나 키 등을 빼 놓으십시오.** 회전하는 부위에 있는 톨이나 키로 인해 상처를 입을 수 있습니다.
- ▶ **자신을 과신하지 마십시오.** 불안정한 자세를 피하고 항상 평형을 이룬 상태로 작업하십시오. 안정된 자세와 평행한 상태로 작업해야만이 의외의 상황에서 전동공구를 안전하게 사용할 수 있습니다.
- ▶ **알맞은 작업복을 입으십시오.** 험렁한 복장을 하거나 장신구를 착용하지 마십시오. 머리카락 또는 장갑이 가동하는 기기 부위에 가까이 닿지 않도록 주의하십시오. 험렁한 복장, 장신구 혹은 긴 머리는 가동 부위에 말려 사고를 초래할 수 있습니다.
- ▶ **분진 추출장치나 수거장치의 조립이 가능한 경우, 이 장치가 연결되어 있는지, 제대로 작동이 되는지 확인하십시오.** 이러한 분진 추출장치를 사용하면 분진으로 인한 사고 위험을 줄일 수 있습니다.

#### 전동공구의 올바른 사용과 취급

- ▶ **기기를 과부하 상태에서 사용하지 마십시오. 작업할 때 이에 적당한 전동공구를 사용하십시오.** 알맞은 전동공구를 사용하면 지정된 성능 한도 내에서 더 효율적으로 안전하게 작업할 수 있습니다.
- ▶ **전원 스위치가 고장 난 전동공구를 사용하지 마십시오.** 전원 스위치가 작동되지 않는 전동공구는 위험하므로, 반드시 수리를 해야 합니다.
- ▶ **기기에 세팅을 하거나 액세서리 부품을 교환하거나 혹은 기기를 보관할 때, 항상 전원 콘센트에서 플러그를 미리 빼어 놓으십시오.** 이러한 조치는 실수로 전동공구가 작동하게 되는 것을 예방합니다.
- ▶ **사용하지 않는 전동공구는 어린이 손이 닿지 않는 곳에 보관하고, 전동공구 사용에 익숙지 않거나 이 사용 설명서를 읽지 않은 사람은 기기를 사용해서는 안됩니다.** 경험이 없는 사람이 전동공구를 사용하면 위험합니다.
- ▶ **전동공구를 조심스럽게 관리하십시오.** 가동 부위가 하자 없이 정상적인 기능을 하는지, 걸리는 부위가 있는지, 혹은 전동공구의 기능에 중요한 부품이 손상되지 않았는지 확인하십시오. 손상된 기기의 부품은 전동공구를 다시 사용하기 전에 반드시 수리를 맡기십시오. 제대로 관리하지 않은 전동공구의 경우 많은 사고를 유발합니다.
- ▶ **절단 공구를 날카롭고 깨끗하게 관리하십시오.** 날카로운 절단면이 있고 잘 관리된 절단공구는 걸리는 경우가 드물고 조절하기도 쉽습니다.
- ▶ **전동공구, 액세서리, 장착하는 공구 등을 사용할 때, 이 지시 사항과 특별히 기종 별로 나와있는 사용 방법을 준수하십시오.** 이때 작업 조건과 실시하려는 작업 내용을 고려하십시오. 원래 사용 분야가 아닌 다른 작업에 전동공구를 사용할 경우 위험한 상황을 초래할 수 있습니다.

#### 서비스

- ▶ **전동공구 수리는 반드시 전문 인력에게 맡기고, 수리 정비 시 보쉬 순정 부품만을 사용하십시오.** 그렇게 함으로써 기기의 안전성을 오래 유지할 수 있습니다.

#### 해머에 대한 안전 경고사항

- ▶ **방음 보호구를 착용하십시오.** 소음에 노출되면 청력을 상실할 수 있습니다.
- ▶ **공구에 보조 손잡이가 함께 공급된 경우, 보조 손잡이를 사용하십시오.** 통제력을 상실하면 부상을 입을 수 있습니다.
- ▶ **절단용 액세서리 또는 파스너가 숨겨진 배선이나 코드에 접촉할 가능성이 있는 작업을 수행할 경우, 전동공구의 절연된 손잡이 면만 잡으십시오.** 절단용 액세서리 및 파스너가 "전류가 흐르는" 전선에 접촉되면, 전동공구의 노출된 금속 부품에 "전류가 흐르는" 상태로 만들어 작업자가 감전될 수 있습니다.
- ▶ **보이지 않는 부위에 에너지 배선 및 배관 여부를 확인하려면 적당한 탐지기를 사용하거나 담당 전력 공급회사에 문의하십시오.** 전선에 접하게 되면 화재나 전기 충격을 야기할 수 있습니다. 가스관을 손상시키면 폭발 위험이 있습니다. 수도관을 파손하게 되면 재산 피해를 유발하거나 전기 충격을 야기할 수 있습니다.
- ▶ **전동공구를 내려놓기 전에 기기가 완전히 멈추었는지 확인하십시오.** 삽입공구가 걸리거나 전동공구에 대한 통제가 어려워질 수 있습니다.
- ▶ **작업물을 잘 고정하십시오.** 고정장치나 기계 바이스에 끼워서 작업하면 손으로 잡는 것보다 더 안전합니다.

#### 제품 및 성능 설명



모든 안전 수칙과 지침을 숙지하십시오. 다음의 안전 수칙과 지침을 준수하지 않으면 화재 위험이 있으며 감전 혹은 중상을 입을 수 있습니다.

사용 설명서 앞 부분에 제시된 그림을 확인하십시오.

#### 규정에 따른 사용

##### GBH 2-24 RE

본 전동공구는 콘크리트, 벽돌, 석재 등에 해머 드릴 작업 용도로 사용됩니다. 또한 목재, 금속, 세라믹 및 플라스틱에 타격 없는 드릴 작업에도 적합합니다. 전자 제어장치와 좌우 회전 기능이 있는 전동공구는 또한 스크류 작업에도 사용할 수 있습니다.

##### GBH 2-24 DRE/DFR

본 전동공구는 콘크리트, 벽돌, 석재 등에 해머 드릴 작업 및 간단한 치질 작업 용도로 사용됩니다. 또한 목재, 금속, 세라믹 및 플라스틱에 타격 없는 드릴 작업에도 적합합니다. 전자 제어장치와 좌우 회전 기능이 있는 전동공구는 또한 스크류 작업에도 사용할 수 있습니다.

### 제품의 주요 명칭

제품의 주요 명칭에 표기되어 있는 번호는 기기 그림이 나와있는 면을 참고하십시오.

- (1) 순간 교환 키레스 척(GBH 2-24 DFR)
- (2) SDS-plus 키레스 척(GBH 2-24 DFR)
- (3) SDS-plus 톨 홀더
- (4) 먼지 보호 캡
- (5) 잠금 슬리브
- (6) 키레스 척 잠금 링(GBH 2-24 DFR)
- (7) 회전방향 선택 스위치
- (8) 전원 스위치 잠금 버튼
- (9) 전원 스위치
- (10) 모드 선택 스위치 해제 버튼(GBH 2-24 DRE, GBH 2-24 DFR)
- (11) 모드 선택 스위치(GBH 2-24 DRE, GBH 2-24 DFR)
- (12) 깊이 조절자 조절용 버튼
- (13) 깊이 조절자
- (14) 보조 손잡이(절연된 손잡이 부위)
- (15) "드릴링/해머 드릴링" 전환 스위치용 잠금 해제 버튼(GBH 2-24 RE)

- (16) "드릴링/해머 드릴링" 전환 스위치(GBH 2-24 RE)
- (17) 손잡이(절연된 손잡이 부위)
- (18) 키 타입 척 안전 나사<sup>A)</sup>
- (19) 키 타입 척<sup>A)</sup>
- (20) 드릴 척용 SDS-plus 어댑터 축<sup>A)</sup>
- (21) 드릴 척 서포트(GBH 2-24 DFR)
- (22) 키레스 척 앞쪽 슬리브(GBH 2-24 DFR)
- (23) 순간 교환 키레스 척 고정 링(GBH 2-24 DFR)
- (24) 분진 추출장치의 흡입 부위<sup>A)</sup>
- (25) 분진 추출장치의 고정 나사<sup>A)</sup>
- (26) 분진 추출장치의 깊이 조절자<sup>A)</sup>
- (27) 분진 추출장치의 텔레스코프 튜브<sup>A)</sup>
- (28) 분진 추출장치의 날개 나사<sup>A)</sup>
- (29) 분진 추출장치의 가이드 튜브<sup>A)</sup>
- (30) SDS-plus 어댑터 축이 있는 유니버설 홀더

A) 도면이나 설명서에 나와있는 액세서리는 표준 공급부품에 속하지 않습니다. 전체 액세서리는 저희 액세서리 프로그램을 참고하십시오.

### 제품 사양

해머 드릴		GBH 2-24 RE	GBH 2-24 DRE	GBH 2-24 DFR
제품 번호		3 611 B72 0..	3 611 B72 1..	3 611 B73 0..
속도 제어		●	●	●
회전 정지		-	●	●
우회전/좌회전		●	●	●
키레스 척		-	-	●
소비 전력	W	790	790	790
타격률	min <sup>-1</sup>	0-4200	0-4200	0-4200
EPTA-Procedure 05:2016에 따른 스트로크당 타격 에너지	J	2,7	2,7	2,7
정격 속도	min <sup>-1</sup>	0-930	0-930	0-930
톨 홀더		SDS-plus	SDS-plus	SDS-plus
스핀들 넥 직경	mm	48.5	48.5	48.5
최대 드릴 직경				
- 콘크리트	mm	24	24	24
- 벽돌(코어 비트 사용 시)	mm	68	68	68
- 철재	mm	13	13	13
- 목재	mm	30	30	30
EPTA-Procedure 01:2014에 따른 중량	kg	2.8	2.8	2.9
보호 등급		□/II	□/II	□/II

자료는 정격 전압 [U] 230 V를 기준으로 한 것입니다. 전압이 다른 경우 및 국가별 사양에 따라 변동이 있을 수 있습니다.



## 소음/진동 정보

**EN 60745-2-6** 표준에 따라 산출된 소음 배출량. 전동공구의 A급 소음레벨은 일반적으로 다음과 같습니다: 소음 수준 **92,5 dB(A)**; 소음 출력 수준 **103,5 dB(A)**. 오차  $K = 3$  dB.

### 귀마개를 착용하십시오!

총진동값  $a_h$  (3방향의 벡터합)과 오차  $K$ 는 **EN 60745-2-6** 에 따라 산출됩니다:

콘크리트 소재에 해머 드릴 작업:  $a_h = 13,1$  m/s<sup>2</sup>,  $K = 1,5$  m/s<sup>2</sup>,

치출 작업:  $a_h = 13,9$  m/s<sup>2</sup>,  $K = 1,5$  m/s<sup>2</sup>,

본 지침에 제시된 진동레벨은 표준 규격에서 지정한 절차에 따라 측정되었으며, 전동공구를 서로 비교할 때 활용할 수 있습니다. 진동하중을 임의로 평가할 때도 사용할 수 있습니다.

제시된 진동레벨은 전동공구의 주된 용도를 나타냅니다. 전동공구를 다른 용도에 사용하거나 다른 공구 비트를 사용한 경우, 혹은 점검이 제대로 이뤄지지 않은 경우, 진동레벨에 차이가 발생할 수 있습니다. 이로 인해 전 작업시간에 걸친 진동하중이 현저히 증가할 수 있습니다.

진동하중을 정확하게 평가하기 위해서는 장치가 꺼져 있거나, 혹은 켜져 있더라도 실제로 작동하지 않은 시간을 고려해야 합니다. 이로 인해 전 작업시간에 걸친 진동하중이 현저히 감소될 수 있습니다.

진동 작용으로부터 작업자를 안전하게 보호하기 위해 추가적으로 다음과 같은 안전 조치가 필요합니다: 전동공구 및 공구 비트 점검, 손의 온도 유지, 작업순서 점검.

## 조립

▶ 전동공구를 보수 정비하기 전에 반드시 콘센트에 서 전원 플러그를 빼십시오.

### 보조 손잡이

반드시 보조 손잡이 (14) 를 장착하여 전동공구를 사용하십시오.

### 보조 손잡이 조절하기(그림 A 참조)

보조 손잡이 (14) 를 알맞게 젖혀서 안전하고 편안한 작업 자세를 취하십시오.

- 보조 손잡이 (14) 의 아래쪽을 시계 반대 방향으로 돌려 보조 손잡이 (14) 의 방향을 원하는 위치로 전환하십시오. 보조 손잡이 (14) 의 아래쪽을 시계 방향으로 다시 돌려 끼우십시오. 이때 보조 손잡이의 고정 밴드가 하우징에 있는 홈에 제대로 끼여 있는지 확인해야 합니다.

### 드릴 깊이 조절하기(그림 B 참조)

원하는 천공 깊이  $X$  는 깊이 조절자 (13) 로 조절할 수 있습니다.

- 깊이 조절자 조절용 버튼 (12) 을 눌러 깊이 조절자를 보조 손잡이 (14) 에 끼우십시오. 깊이 조절자 (13) 에 있는 우물두툼한 표면이 항상 아래쪽으로 향해 있어야 합니다.
- SDS-plus 비트를 SDS-plus 톨 홀더 (3) 안으로 끝까지 밀어 넣습니다. SDS-plus 비트가 움직이

게 되면 천공 깊이를 정확하게 세팅할 수 없게 됩니다.

- 드릴 비트의 끝과 깊이 조절자의 끝 부위의 간격이 원하는 천공 깊이  $X$  가 될 때까지 깊이 조절자를 잡아 당깁니다.

### 드릴 척과 비트 선택하기

해머 드릴 작업이나 치출 작업을 하려면 기기의 SDS-plus 드릴 척에 삽입되는 SDS-plus 비트를 사용해야 합니다.

목재, 금속, 세라믹 그리고 플라스틱에 타격없이 드릴 작업을 하거나 스크류 작업을 하려면 SDS-plus 가 아닌 비트를 사용해야 합니다(예: 실린더 생크 타입 드릴 비트). 이러한 비트를 사용할 경우 순간 교환 키레스 척이나 키 타입 척이 필요합니다.

**GBH 2-24 DFR**: SDS-plus 키레스 척 (2) 은 함께 공급되는 순간 교환 키레스 척 (1) 으로 쉽게 교환할 수 있습니다.

### 키 타입 척 교환하기(GBH 2-24 RE, GBH 2-24 DRE)

SDS-plus가 아닌 비트(예: 실린더 생크 타입 드릴 비트)로 작업하려면, 적당한 드릴 척을 조립해서 사용해야 합니다(키 타입 척이나 순간 교환 키레스 척, 액세서리).

### 키 타입 척 조립하기(그림 C 참조)

- SDS-plus 어댑터 축 (20) 을 키 타입 척 (19) 안으로 돌려 끼웁니다. 키 타입 척 (19) 에 안전 나사 (18) 를 끼워 고정시킵니다. **안전 나사가 좌나 사임에 유의하십시오.**

### 키 타입 척 장착하기(그림 C 참조)

- 어댑터 축의 끼워지는 부분을 깨끗이 닦고 약간 그리스를 바릅니다.
- 어댑터 축이 있는 키 타입 척이 자동으로 잠길 때까지 톨 홀더 안으로 돌리면서 끼웁니다.
- 키 타입 척을 당겨보아 제대로 잠겼는지 확인해 보십시오.

### 키 타입 척 탈착하기

- 잠금 슬리브 (5) 를 뒤쪽으로 밀고 키 타입 척 (19) 을 빼내십시오.

### 키레스 척 탈장착하기(GBH 2-24 DFR)

#### 키레스 척 탈착하기(그림 D 참조)

- 키레스 척 잠금 링 (6) 을 뒤로 당기고, 이 위치를 유지한 상태에서 SDS-plus 키레스 척 (2) 또는 순간 교환 키레스 척 (1) 을 앞으로 당겨 빼냅니다.
- 키레스 척을 탈착한 후 더러워지지 않도록 하십시오.

#### 키레스 척 장착하기(그림 E 참조)

- 키레스 척을 끼우기 전에 깨끗이 닦고 끼워지는 부분에 약간 그리스를 바릅니다.
- SDS-plus 키레스 척 (2) 또는 순간 교환 키레스 척 (1) 을 양손으로 붙잡으십시오. 확실하게 잠기

는 소리가 들릴 때까지 키레스 척을 돌리면서 드릴 척 서포트 (21) 쪽으로 미십시오.

- 키레스 척은 자동으로 잠깁니다. 키레스 척을 당겨보아 제대로 잠겼는지 확인해 보십시오.

### 액세서리의 교환

먼저 보호 캡 (4) 은 작업하는 동안 먼지가 툴 홀더 안으로 들어가는 것을 방지해 줍니다. 비트 장착 시, 먼저 보호 캡 (4) 이 손상되지 않도록 주의하십시오.

- ▶ **손상된 먼지 보호 캡은 즉시 교환하십시오. 고객 서비스 센터에서 교환하는 것을 권장합니다.**

### SDS-plus 비트 장착하기(그림 F 참조)

SDS-plus 드릴 척을 사용하면 별도의 공구를 사용하지 않고도 간단하고 쉽게 비트를 교환할 수 있습니다.

- **GBH 2-24 DFR:** SDS-plus 키레스 척 (2) 을 끼우십시오.
- 끼우려는 비트의 끝 부분을 깨끗이 닦고 그리스를 바릅니다.
- 비트가 자동으로 잠길 때까지 툴 홀더 안으로 돌려 끼우십시오.
- 치출 비트를 잡아당겨 보면서 제대로 끼워졌는지 확인해 보십시오.

SDS-plus 비트는 시스템상 충분히 움직이게 되어 있습니다. 그래서 공전 상태에서 편심 현상이 생기지만 드릴작업 시에는 다시 저절로 중심을 잡습니다. 이는 작업의 정확성에 어떠한 영향도 미치지 않습니다.

### SDS-plus 비트 탈착하기(그림 G 참조)

- 잠금 슬리브 (5) 를 뒤쪽으로 민 후, 비트를 분리합니다.

### SDS-plus가 아닌 비트 장착하기(GBH 2-24 RE, GBH 2-24 DRE)

**지침:** 해머 드릴 작업이나 치출 작업을 할 때 SDS-plus가 아닌 비트를 사용하지 마십시오! SDS-plus가 아닌 비트와 그 드릴 척이 해머 드릴 작업과 치출작업으로 인해 손상됩니다.

- 키 타입 척 (19) 을 끼우십시오.
- 공구가 삽입될 때까지 키 타입 척 (19) 을 돌려 푸십시오. 공구를 끼우십시오.
- 드릴 척 키를 키 타입 척 (19) 의 해당 구멍에 끼우고 공구를 균일하게 조이십시오.
- **GBH 2-24 RE:** 전환 스위치 (16) 위치는 항상 “드릴 작업” 기호로 두십시오.
- **GBH 2-24 DRE:** 모드 선택 스위치 (11) 을 “드릴 링” 위치로 돌리십시오.

### SDS-plus가 아닌 비트 탈착하기(GBH 2-24 RE, GBH 2-24 DRE)

- 드릴 척 키를 사용하여 키 타입 척 (19) 의 슬리브를 비트가 빠질 때까지 시계 반대 방향으로 돌립니다.

### SDS-plus가 아닌 비트 장착하기(GBH 2-24 DFR) (그림 H 참조)

**지침:** 해머 드릴 작업이나 치출 작업을 할 때 SDS-plus가 아닌 비트를 사용하지 마십시오! SDS-plus가 아닌 비트와 그 드릴 척이 해머 드릴 작업과 치출 작업으로 인해 손상됩니다.

- 순간 교환 키레스 척 (1) 을 삽입하십시오.
- 순간 교환 키레스 척의 고정 링 (23) 을 꼭 잡으십시오. 공구가 장착될 때까지 앞쪽 슬리브 (22) 를 돌려 공구 어댑터를 푸십시오. 고정 링 (23) 을 꼭 붙잡고 잠기는 소리가 확실하게 들릴 때까지 앞쪽 슬리브 (22) 를 세계 화살표 방향으로 돌리십시오.
- 비트를 당겨보면서 제대로 끼워졌는지 확인해 보십시오.

**지침:** 툴 홀더가 스톱 위치까지 열렸으면, 툴 홀더를 돌려 잠금 때 끼워지는 소리가 들리며 툴 홀더는 잠기지 않을 수 있습니다.

이 경우 앞쪽 슬리브 (22) 를 화살표 방향으로 돌리십시오. 그 이후 툴 홀더를 잠글 수 있습니다.

- 모드 선택 스위치 (11) 를 “드릴 작업” 위치로 돌리십시오.

### SDS-plus가 아닌 비트 탈착하기(GBH 2-24 DFR) (그림 I 참조)

키레스 척의 고정 링 (23) 을 꼭 잡으십시오. 공구가 분리 때까지 앞쪽 슬리브 (22) 를 화살표 방향으로 돌려 공구 어댑터를 푸십시오.

### 분진 추출장치(액세서리)를 사용한 분진 처리

#### 분진 및 톱밥 추출장치

납 성분을 포함한 페인트나 몇몇 나무 종류, 또는 광물 성분 그리고 철과 같은 재료의 분진은 건강을 해칠 수 있습니다. 이 분진을 만지거나 호흡할 경우, 사용자나 주변 사람들이 알레르기 반응이나 호흡기 장애를 일으킬 수 있습니다.

떡갈나무나 너도밤나무와 같은 특정한 분진은 암을 유발시키며, 특히 목재 처리용으로 사용되는 부가 원료 (크로마트, 목재 보호제)와 혼합되면 암을 유발시키게 됩니다. 석면 성분을 포함한 재료는 전문가만 작업할 수 있습니다.

- 가능하면 작업물 소재에 적당한 분진 추출장치를 사용하십시오.
- 작업장의 통풍이 잘 되도록 하십시오.
- 필터등급 P2가 장착된 호흡 마스크를 사용하십시오.

작업용 재료에 관해 국가가 지정한 규정을 고려하십시오.

- ▶ **작업장에 분진이 쌓이지 않도록 하십시오.** 분진이 쉽게 발화할 수 있습니다.

#### 분진 추출장치 조립하기(그림 J 참조)

분진 추출을 위해 분진 추출장치(액세서리)가 필요합니다. 드릴 작업 시 분진 추출장치는 수축되어 분진 추출장치 헤드가 항상 모체에 바짝 붙어 있게 합니다.

- 깊이 조절자 조절용 버튼 (12) 을 눌러 깊이 조절자 (13) 를 빼내십시오. 버튼 (12) 을 다시 눌러 분진 추출장치를 앞쪽부터 보조 손잡이 (14) 에 끼우십시오.
  - 흡입 호스(직경 19 mm, 액세서리)를 분진 추출 장치의 흡입 부위 (24) 에 연결하십시오.
- 진공 청소기는 작업하는 소재에 적당한 것이어야 합니다.
- 특히 건강에 유해한 발암성 혹은 건조한 분진을 처리해야 할 경우에는 특수한 청소기를 사용해야 합니다.
- 분진 추출장치의 드릴 깊이 조절하기(그림 K 참조)**  
분진 추출장치가 장착된 상태에서도 원하는 드릴 깊이 X 를 정할 수 있습니다.
- SDS-plus 비트를 SDS-plus 톨 홀더 (3) 안으로 끝까지 밀어 넣습니다. SDS-plus 비트가 움직이게 되면 천공 깊이를 정확하게 세팅할 수 없게 됩니다.
  - 분진 추출장치에서 날개 나사 (28) 를 푸십시오.
  - 전동공구의 스위치를 켜지 않은 상태로 드릴작업을 하려는 부위에 바짝 댑니다. 이때 SDS-plus 비트가 표면에 닿아야 합니다.
  - 분진 추출장치의 가이드 튜브 (29) 를 분진 추출 장치 헤드가 드릴 작업해야 할 표면에 놓이도록 고정부에서 미십시오. 가이드 튜브 (29) 를 필요한 만큼만 텔레스코프 튜브 (27) 위쪽으로 밀어 텔레스코프 튜브 (27) 에 있는 눈금이 최대한 많이 보이도록 하십시오.
  - 날개 나사 (28) 를 다시 체결하십시오. 분진 추출 장치의 깊이 조절자에서 고정 나사 (25) 를 푸십시오.
  - 깊이 조절자 (26) 를 텔레스코프 튜브 (27) 에서 밀어 그림에 표시된 간격 X 가 원하는 드릴 깊이와 일치되게 하십시오.
  - 이 위치에서 고정 나사 (25) 를 조이십시오.

## 작동

### 기계 시동

- ▶ 전원의 전압에 유의하십시오! 공급되는 전원의 전압은 전동공구의 명판에 표기된 전압과 동일해야 합니다. 230 V 로 표시된 전동공구는 220 V 에서도 작동이 가능합니다.

### 작동 모드 설정하기

#### GBH 2-24 RE

- “드릴링/해머 드릴링” 전환 스위치 (16) 를 이용하여 전동공구의 작동 모드를 선택하십시오.
- 작동 모드를 변경하려면 해제 버튼 (15) 을 누른 상태에서 “드릴링/해머 드릴링” 전환 스위치 (16) 가 맞물려 잠기는 소리가 날 때까지 원하는 위치로 돌립니다.

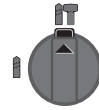
#### GBH 2-24 DRE, GBH 2-24 DFR

- 모드 선택 스위치 (11) 를 이용하여 전동공구의 작동 모드를 선택하십시오.

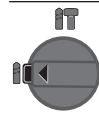
- 작동 모드를 변경하려면 해제 버튼 (10) 을 누른 상태에서 모드 선택 스위치 (11) 가 맞물려 잠기는 소리가 날 때까지 원하는 위치로 돌립니다.

**지침:** 작동 모드는 전동공구가 꺼진 상태에서만 변경하십시오! 그렇게 하지 않으면 전동공구가 손상될 수 있습니다.

#### GBH 2-24 RE



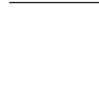
콘크리트 또는 석재에서의 **해머 드릴** 작업 위치



목재, 금속, 세라믹, 플라스틱에서 타격이 없는 **드릴 작업** 및 스크류 작업 위치

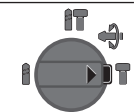
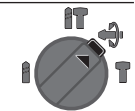
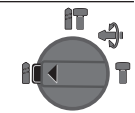
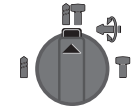


치즐 위치 조절을 위한 **Vario-Lock** 위치  
모드 선택 스위치 (11) 는 이 위치에서 잠기지 않습니다.



**치즐 작업** 위치

#### GBH 2-24 DRE GBH 2-24 DFR



### 회전방향 설정하기

- ▶ 전동공구가 정지된 상태에서만 회전방향 선택 스위치 (7) 를 작동하십시오.

회전방향 선택 스위치 (7) 를 이용해 전동공구의 회전방향을 변경할 수 있습니다. 전원 스위치 (9) 가 눌린 상태에서는 변경할 수 없습니다.

- **우회전:** 회전방향 선택 스위치 (7) 를 양쪽에 있는 스토퍼까지 ← 위치로 미십시오.
- **좌회전:** 회전방향 선택 스위치 (7) 를 양쪽에 있는 스토퍼까지 → 위치로 미십시오.
- 해머 드릴작업, 드릴작업 혹은 치즐작업을 하려면 회전방향이 반드시 우회전에 있어야 합니다.

### 전원 스위치 작동

- 전동공구의 전원을 켜려면 전원 스위치를 (9) 누르십시오.
- 전원 스위치 (9) 를 누른 상태로 고정하려면 잠금 버튼 (8) 을 위로 누릅니다.
- 전동공구의 전원을 끄려면 전원 스위치 (9) 에서 손을 떼십시오. 전원 스위치 (9) 가 잠긴 상태에서는 먼저 전원 스위치를 눌렀다가 손을 떼십시오.

### 속도/타격을 조절하기

전원이 켜진 전동공구의 속도/타격률은 전원 스위치 (9) 를 움직이는 정도에 따라 자유롭게 조절할 수 있습니다.

전원 스위치 (9) 쪽으로 약간만 밀면 낮은 속도/타격률이 설정됩니다. 좀 더 세게 누르면 속도/타격률이 증가합니다.

#### 과부하 클러치

- ▶ 드릴 비트가 끼이거나 박힌 경우 드릴 스피들의 작동이 중단됩니다. 이때 생기는 충격에 대비해서 전동공구를 두 손으로 꼭 잡고 안전한 자세로 작업해야 합니다.
- ▶ 전동공구 자동이 차단되면, 전동공구의 스위치를 끄고 비트를 푸십시오. 비트가 걸려 있는 상태에서 스위치를 켜면 강한 반동력이 생길 수 있습니다.

#### 사용 방법

- ▶ 전동공구를 보수 정비하기 전에 반드시 콘센트에서 전원 플러그를 빼십시오.
- ▶ 절단용 액세서리 또는 파스너가 숨겨진 배선이나 코드에 접촉할 가능성이 있는 작업을 수행할 경우, 전동공구의 절연된 손잡이 면만 잡으십시오. 절단용 액세서리 및 파스너가 "전류가 흐르는" 전선에 접촉되면, 전동공구의 노출된 금속 부품에 "전류가 흐르는" 상태로 만들어 작업자가 감전될 수 있습니다.

#### 치즐 위치 바꾸기 (Vario-Lock)(GBH 2-24 DRE, GBH 2-24 DFR)

36 위치에서 치즐을 고정시킬 수 있습니다. 이를 통해 각각 적의 작업 위치를 선정할 수 있습니다.

- 치즐을 톨 홀더에 끼웁니다.
- 모드 선택 스위치 (11) 를 "Vario-Lock" 위치로 돌리십시오.
- 원하는 치즐 위치로 비트를 돌리십시오.
- 모드 선택 스위치 (11) 을 "치즐 작업" 위치로 돌리십시오. 그러면 톨 홀더가 고정됩니다.
- 치즐작업을 하려면 회전방향을 오른쪽으로 맞추십시오.

#### 스크류 드라이버 비트 장착하기(그림 L 참조)

- ▶ 전동공구의 스위치가 꺼진 상태에서만 볼트/너트에 대십시오. 회전하는 드릴 비트가 미끄러질 수 있습니다.

스크류 드라이버 비트를 사용하려면 SDS-plus 어댑터 축이 있는 유니버설 홀더 (30) (액세서리)가 필요합니다.

- 어댑터 축의 끼워지는 부분을 깨끗이 닦고 약간 그리스를 바릅니다.
- 유니버설 홀더가 저절로 잠길 때까지 톨 홀더 안으로 돌리면서 끼웁니다.
- 유니버설 홀더를 당겨보아 제대로 잠겼는지 확인하십시오.
- 스크류 드라이버 비트 한 개를 유니버설 홀더에 끼웁니다. 스크류 헤드에 맞는 스크류 드라이버 비트만을 사용하십시오.
- 유니버설 홀더를 분리하려면 잠금 슬리브 (5) 를 뒤쪽으로 밀고 유니버설 홀더 (30) 를 톨 홀더에서 분리하십시오.

## 보수 정비 및 서비스

### 보수 정비 및 유지

- ▶ 전동공구를 보수 정비하기 전에 반드시 콘센트에서 전원 플러그를 빼십시오.
- ▶ 안전하고 올바른 작동을 위하여 전동공구와 전동공구의 톨공구를 항상 깨끗이 하십시오.
- ▶ 손상된 먼지 보호 캡은 즉시 교환하십시오. 고객 서비스 센터에서 교환하는 것을 권장합니다.
  - 톨 홀더 (3) 를 사용한 후에는 항상 깨끗이 닦아 주십시오.

연결 코드를 교환해야 할 경우 안전을 기하기 위해 Bosch 또는 Bosch 지정 전동공구 서비스 센터에 맡겨야 합니다.

### AS 센터 및 사용 문의

AS 센터에서는 귀하 제품의 수리 및 보수정비, 그리고 부품에 관한 문의를 받고 있습니다. 대체 부품에 관한 분해 조립도 및 정보는 인터넷에서도 찾아볼 수 있습니다 - [www.bosch-pt.com](http://www.bosch-pt.com)

보수 사용 문의 팀에서는 보수의 제품 및 해당 액세서리에 관한 질문에 기꺼이 답변 드릴 것입니다. 전문 작업자 및 개인 작업자를 위한 인터넷 포털 [www.powertool-portal.de](http://www.powertool-portal.de) 도 참조할 수 있습니다.

문의나 대체 부품 주문 시에는 반드시 제품 네임 플레이트에 있는 10자리의 부품번호를 알려 주십시오.

콜센터  
080-955-0909

### 처리

기기와 액세서리 및 포장 등은 환경 친화적인 방법으로 재생할 수 있도록 분류하십시오.



전동공구를 가정용 쓰레기로 처리하지 마십시오!

### 오직 EU 국가에만 해당:

전기장치 및 전자장치 노후기기에 관한 유럽 가이드라인 2012/19/EU 및 국가별 해당 법에 따라 더 이상 사용 불가능한 진공청소기는 별도로 수거하여 환경보호 규정에 따라 재활용해야 합니다.

## ไทย

### คำเตือนเพื่อความปลอดภัย

#### คำเตือนเพื่อความปลอดภัยทั่วไปในการใช้เครื่องมือไฟฟ้า

**คำเตือน** อ่านคำเตือนเพื่อความปลอดภัยและคำสั่งทั้งหมด การไม่ปฏิบัติตามคำเตือนและคำสั่งอาจเป็นสาเหตุให้ถูกไฟฟ้าดูด เกิดไฟไหม้ และ/หรือได้รับบาดเจ็บอย่างร้ายแรง

**เก็บรักษา** คำเตือนและคำสั่งทั้งหมดสำหรับเปิดอ่านในภายหลัง

คำว่า "เครื่องมือไฟฟ้า" ในคำเตือนหมายถึง เครื่องมือไฟฟ้าของท่านที่ทำงานด้วยพลังงานไฟฟ้าจากแหล่งจ่ายไฟหลัก (มีสายไฟฟ้า) และเครื่องมือไฟฟ้าที่ทำงานด้วยพลังงานไฟฟ้าจากแบตเตอรี่ (ไร้สาย)

#### ความปลอดภัยในสถานที่ทำงาน

- ▶ **รักษาสถานที่ทำงานให้สะอาดและมีไฟส่องสว่างดี** สถานที่ที่มีมืดหรือรกรุงรังนำมาซึ่งอุบัติเหตุ
- ▶ **อย่าใช้เครื่องมือไฟฟ้าทำงานในสภาพบรรยากาศที่จุดติดไฟได้** เช่น ในที่มีมีของเหลวไวไฟ ก๊าซ หรือฝุ่น เมื่อใช้เครื่องมือไฟฟ้าจะเกิดประกายไฟซึ่งอาจจุดฝุ่นหรือไอให้ลุกเป็นไฟได้
- ▶ **ขณะใช้เครื่องมือไฟฟ้าทำงาน ต้องกันเด็กและผู้ยี่นดูให้ออกห่าง** การหันเหความสนใจอาจทำให้ท่านขาดการควบคุมเครื่องได้

#### ความปลอดภัยเกี่ยวกับไฟฟ้า

- ▶ **ปลั๊กของเครื่องมือไฟฟ้าต้องเหมาะสมพอดีกับเต้าเสียบ** อย่าตัดแปลงปลั๊กไม่ว่าในลักษณะใดๆ อย่างเด็ดขาด อย่าใช้ปลั๊กพ่วงต่อใดๆ กับเครื่องมือไฟฟ้าที่มีสายดิน ปลั๊กที่ไม่ตัดแปลงและเต้าเสียบที่เข้ากันช่วยลดความเสี่ยงจากการถูกไฟฟ้าดูด
- ▶ **หลีกเลี่ยงอย่าให้ร่างกายสัมผัสกับพื้นผิวที่ต่อสายดินหรือลงกราวด์ไว้** เช่น ท่อ เครื่องทำความร้อน เตา และตู้เย็น จะเสี่ยงอันตรายจากการถูกไฟฟ้าดูดมากขึ้นหากกระแสไฟฟ้าวิ่งผ่านร่างกายของท่านลงดิน
- ▶ **อย่าให้เครื่องมือไฟฟ้าถูกฝนหรืออยู่ในสภาพเปียกชื้น** หากน้ำเข้าในเครื่องมือไฟฟ้า จะเพิ่มความเสี่ยงจากการถูกไฟฟ้าดูด

- ▶ **อย่าใช้สายไฟฟ้าในทางที่ผิด** อย่าใช้สายไฟฟ้าเพื่อยก ดึง หรือถอดปลั๊กเครื่องมือไฟฟ้า กันสายไฟฟ้าออกห่างจากความร้อน น้ำมัน ขอบแหลมคม หรือชิ้นส่วนที่เคลื่อนที่ สายไฟฟ้าที่ชำรุดหรือพันกันยุ่งเพิ่มความเสี่ยงจากการถูกไฟฟ้าดูด
- ▶ **เมื่อใช้เครื่องมือไฟฟ้าทำงานกลางแจ้ง ให้ใช้สายไฟต่อที่เหมาะสมสำหรับการใช้งานกลางแจ้ง** การใช้สายไฟต่อที่เหมาะสมสำหรับงานกลางแจ้งช่วยลดอันตรายจากการถูกไฟฟ้าดูด
- ▶ **หากไม่สามารถหลีกเลี่ยงการใช้เครื่องมือไฟฟ้าทำงานในสถานที่เปียกชื้นได้ ให้ใช้สวิตช์ตัดวงจรเมื่อเกิดการรั่วไหลของไฟฟ้าจากสายดิน (RCD)** การใช้สวิตช์ตัดวงจรเมื่อเกิดการรั่วไหลของไฟฟ้าจากสายดินช่วยลดความเสี่ยงต่อการถูกไฟฟ้าดูด

#### ความปลอดภัยของบุคคล

- ▶ **ท่านต้องอยู่ในสภาพเตรียมพร้อม ระมัดระวังในสิ่งที่ท่านกำลังทำอยู่ และมีสติขณะใช้เครื่องมือไฟฟ้าทำงาน** อย่าใช้เครื่องมือไฟฟ้าขณะที่ท่านกำลังเหนื่อยหรืออยู่ภายใต้การครอบงำของฤทธิ์ของยาเสพติด แอลกอฮอล์ และยา เมื่อใช้เครื่องมือไฟฟ้าทำงานในชั่วโมงที่ท่านขาดความเอาใจใส่อาจทำให้บุคคลบาดเจ็บอย่างรุนแรงได้
- ▶ **ใช้อุปกรณ์ปกป้องร่างกาย** สวมแว่นตาป้องกันเสมอ อุปกรณ์ปกป้อง เช่น หนวดกากกันฝุ่น รองเท้ากันลื่น หมวกแข็ง หรือประคบหูกันเสียงดัง ที่เลือกใช้ตามความเหมาะสมกับสภาพการทำงาน สามารถลดอันตรายต่อบุคคลได้
- ▶ **ป้องกันการติดเครื่องโดยไม่ตั้งใจ** ตรวจสอบให้แน่ใจว่าสวิตช์อยู่ในตำแหน่งปิดก่อนเชื่อมต่อเข้ากับแหล่งจ่ายไฟ และ/หรือแบตเตอรี่พิเศษ ยกหรือถือเครื่องมือถือเครื่องโดยใช้นิ้วหัวที่สวิตช์ หรือเสียบปลั๊กไฟขณะสวิตช์เปิดอยู่ อาจนำไปสู่อุบัติเหตุที่ร้ายแรงได้
- ▶ **นำเครื่องมือปรับแต่งหรือประแจปากตายออกก่อนเปิดสวิตช์เครื่องมือไฟฟ้า** เครื่องมือหรือประแจปากตายที่วางอยู่กับส่วนของเครื่องที่กำลังหมุนจะทำให้บุคคลบาดเจ็บได้
- ▶ **อย่าเอื้อมไกลเกินไป** ตั้งทำยี่นที่มั่นคงและวางน้ำหนักให้สมดุลตลอดเวลา ในลักษณะนี้ท่านสามารถควบคุมเครื่องมือไฟฟ้าในสถานการณ์ที่ไม่คาดคิดได้ดีกว่า
- ▶ **แต่งกายอย่างเหมาะสม** อย่าใส่เสื้อผ้าหลวมหรือสวมเครื่องประดับ เอาหมวก เสื้อผ้า และถุงมือ ออกห่างจากชิ้นส่วนที่กำลังหมุน เสื้อผ้าหลวม เครื่องประดับ และผมยาวอาจเข้าไปติดในส่วนของเครื่องที่กำลังหมุนได้

- ▶ หากเครื่องมือไฟฟ้ามีข้อเชื่อมต่อกับเครื่องดูดฝุ่นหรือเครื่องเก็บผง ให้ตรวจสอบให้แน่ใจว่าได้เชื่อมต่อและใช้งานอย่างถูกต้อง การใช้อุปกรณ์ดูดฝุ่นช่วยลดอันตรายที่เกิดจากฝุ่นได้

#### การใช้และการดูแลรักษาเครื่องมือไฟฟ้า

- ▶ อย่างผืนกำลังเครื่องมือไฟฟ้า ใช้เครื่องมือไฟฟ้าที่ถูกต้องตรงตามลักษณะงานของท่าน เครื่องมือไฟฟ้าที่ถูกต้องจะทำงานได้ดีกว่าและปลอดภัยกว่าในระดับสมรรถภาพที่ออกแบบไว้
- ▶ อย่าใช้เครื่องมือไฟฟ้าถ้าสวิทช์ไม่สามารถเปิดปิดได้ เครื่องมือไฟฟ้าที่ไม่สามารถควบคุมการเปิดปิดด้วยสวิทช์ได้ เป็นเครื่องมือไฟฟ้าที่ไม่ปลอดภัยและต้องส่งซ่อมแซม
- ▶ ก่อนปรับแต่งเครื่อง เปลี่ยนอุปกรณ์ประกอบ หรือเก็บเครื่องมือไฟฟ้าเข้าที่ ต้องถอดปลั๊กไฟออกจากแหล่งจ่ายไฟ และ/หรือถอดแบตเตอรี่ที่คอกออกจากเครื่องมือไฟฟ้า มาตรการป้องกันเพื่อความปลอดภัยนี้ช่วยลดความเสี่ยงจากการติดเครื่องโดยไม่ได้ตั้งใจ
- ▶ เมื่อเลิกใช้งานเครื่องมือไฟฟ้า ให้เก็บเครื่องไว้ในที่เด็กหยิบไม่ถึง และไม่อนุญาตให้บุคคลที่ไม่คุ้นเคยกับเครื่องหรือบุคคลที่ไม่ได้อ่านคำแนะนำเหล่านี้ใช้เครื่องมือไฟฟ้าเป็นของอันตรายหากตกอยู่ในมือของผู้ใช้ที่ไม่ได้รับการฝึกฝน
- ▶ บำรุงรักษาเครื่องมือไฟฟ้า ตรวจสอบชิ้นส่วนที่เคลื่อนที่ว่าวางไม่ตรงแนวหรือติดขัดหรือไม่ ตรวจสอบการแตกหักของชิ้นส่วนและสภาพอื่นใดที่อาจมีผลต่อการทำงานของเครื่องมือไฟฟ้า หากชำรุดต้องส่งเครื่องมือไฟฟ้าไปซ่อมแซมก่อนใช้งาน อุบัติเหตุหลายอย่างเกิดขึ้นเนื่องจากดูแลรักษาเครื่องไม่ดีพอ
- ▶ รักษาเครื่องมือตัดให้คมและสะอาด หากบำรุงรักษาเครื่องมือที่มีขอบตัดแหลมคมอย่างถูกต้อง จะสามารถตัดได้ลื่นไม่ติดขัดและควบคุมได้ง่ายกว่า
- ▶ ใช้เครื่องมือไฟฟ้า อุปกรณ์ประกอบ เครื่องมือ และอุปกรณ์อื่น ๆ ตรงตามคำแนะนำเหล่านี้ โดยคำนึงถึงเงื่อนไขการทำงานและงานที่จะทำ การใช้เครื่องมือไฟฟ้าทำงานที่ต่างไปจากวัตถุประสงค์การใช้งานของเครื่อง อาจนำไปสู่สถานการณ์ที่เป็นอันตรายได้

#### การบริการ

- ▶ ส่งเครื่องมือไฟฟ้าของท่านเข้ารับบริการจากช่างซ่อมที่มีคุณสมบัติเหมาะสม โดยใช้อะไหล่ที่เหมือนกันเท่านั้น ในลักษณะนี้ท่านจะแน่ใจได้ว่าเครื่องมือไฟฟ้าอยู่ในสภาพที่ปลอดภัย

#### คำเตือนเพื่อความปลอดภัยสำหรับส่วนกระแทก

- ▶ **สวมประภทหูป้องกันเสียงดัง** การรับฟังเสียงดังอาจทำให้สูญเสียการได้ยิน
- ▶ **ใช้ตามจับเพิ่มหากจัดส่งมาพร้อมกับเครื่องการสูญเสียการควบคุมอาจทำให้บุคคลได้รับบาดเจ็บ**
- ▶ **เมื่อทำงานในบริเวณที่เครื่องมือตัดหรือสกรูอาจสัมผัสสายไฟฟ้าที่ซ่อนอยู่หรือสายไฟฟ้าของตัวเครื่องเอง ต้องจับเครื่องมือไฟฟ้าตรงพื้นผิวจับที่หุ้มฉนวน หากเครื่องมือตัดและสกรูสัมผัสสายที่ “มีกระแสไฟฟ้า” ไหลผ่าน จะทำให้ชิ้นส่วนโลหะที่ไม่ได้หุ้มฉนวนของเครื่องมือไฟฟ้าเกิด “มีกระแสไฟฟ้า” ด้วย และส่งผลให้ผู้ใช้งานเครื่องถูกไฟฟ้าดูดได้**
- ▶ **ใช้เครื่องตรวจจับที่เหมาะสมเพื่อตรวจสอบหาสายไฟฟ้าหรือท่อสาธารณูปโภคที่อาจซ่อนอยู่ในบริเวณทำงานหรือติดตั้งรับท่อสาธารณูปโภคในพื้นที่เพื่อขอความช่วยเหลือ** การสัมผัสกับสายไฟฟ้าอาจทำให้เกิดไฟไหม้หรือถูกไฟฟ้าดูด การทำให้ท่อแก๊สเสียหายอาจทำให้เกิดระเบิด การเจาะเข้าในท่อน้ำทำให้ทรัพย์สินเสียหาย หรืออาจเป็นเหตุให้ถูกไฟฟ้าดูดได้
- ▶ **รอให้เครื่องมือไฟฟ้าหยุดสนิทก่อนวางเครื่องลงบนพื้น** เครื่องมือที่ปล่อยอาจติดขัดและทำให้สูญเสียการควบคุมเครื่องมือไฟฟ้า
- ▶ **ยึดชิ้นงานให้แน่น** การยึดชิ้นงานด้วยเครื่องมือหนีบหรือแท่นจับจะมั่นคงกว่าการยึดด้วยมือ

#### รายละเอียดผลิตภัณฑ์และข้อมูล

##### จำเพาะ



อ่านคำเตือนเพื่อความปลอดภัยและคำแนะนำทั้งหมด การไม่ปฏิบัติตามคำเตือนและคำสั่งอาจเป็นสาเหตุให้ถูกไฟฟ้าดูด เกิดไฟไหม้ และ/หรือได้รับบาดเจ็บอย่างร้ายแรง

กรุณาดูภาพประกอบในส่วนหน้าของคู่มือการใช้งาน

##### ประโยชน์การใช้งานของเครื่อง

###### GBH 2-24 RE

เครื่องมือไฟฟ้านี้ใช้สำหรับเจาะตอกในคอนกรีต อิฐ และหิน เครื่องนี้ยังเหมาะสำหรับเจาะโดยไม่กระทบในไม้ โลหะ เซรามิก และพลาสติกอีกด้วย เครื่องที่มีระบบควบคุมอิเล็กทรอนิกส์และการหมุนซ้าย/ขวาสามารถไขขันสกรูได้ด้วย

###### GBH 2-24 DRE/DFR

เครื่องมือไฟฟ้านี้ใช้สำหรับเจาะตอกในคอนกรีต อิฐ และหิน รวมทั้งใช้สำหรับงานสกัดเบาๆ เครื่องนี้ยังเหมาะสำหรับเจาะโดยไม่กระทบในไม้ โลหะ เซรามิก และพลาสติกอีกด้วย



เครื่องมือไฟฟ้าที่มีระบบควบคุมอิเล็กทรอนิกส์และการหมุนซ้ำ/ขวาสามารถใช้ชั้นสกรูได้ด้วย

### ส่วนประกอบที่แสดงภาพ

ลำดับเลขของส่วนประกอบผลิตภัณฑ์อ้างอิงถึงส่วนประกอบของเครื่องที่แสดงในหน้าภาพประกอบ

- (1) หัวจับดอกชนิดเปลี่ยนเร็ว (GBH 2-24 DFR)
- (2) หัวจับดอก SDS-plus (GBH 2-24 DFR)
- (3) ด้ามจับเครื่องมือ SDS-plus
- (4) ฝาครอบกันฝุ่น
- (5) ปลอกสำหรับลอค
- (6) แหวนลอคสำหรับหัวจับดอก (GBH 2-24 DFR)
- (7) สวิตช์เปลี่ยนทิศทางการหมุน
- (8) ปุ่มลอคให้สวิตช์เปิด-ปิดทำงาน
- (9) สวิตช์เปิด-ปิด
- (10) ปุ่มปลดลอคสำหรับสวิตช์หยุดกระแทก/หยุดหมุน (GBH 2-24 DRE, GBH 2-24 DFR)
- (11) สวิตช์หยุดกระแทก/หยุดหมุน (GBH 2-24 DRE, GBH 2-24 DFR)
- (12) ปุ่มสำหรับปรับก้านวัดความลึก
- (13) ก้านวัดความลึก
- (14) ด้ามจับเพิ่ม (พื้นผิวจับหุ้มฉนวน)

- (15) ปุ่มปลดลอคสำหรับสวิตช์เลือก “การเจาะ/การเจาะดอก” (GBH 2-24 RE)
- (16) สวิตช์เลือก “การเจาะ/การเจาะดอก” (GBH 2-24 RE)
- (17) ด้ามจับ (พื้นผิวจับหุ้มฉนวน)
- (18) สกรูยึดสำหรับหัวจับดอกชนิดมีเฟืองใน <sup>A)</sup>
- (19) หัวจับดอกชนิดมีเฟืองใน <sup>A)</sup>
- (20) ก้านติดตั้ง SDS-plus สำหรับหัวจับดอก <sup>A)</sup>
- (21) ขั้วรับหัวจับดอก (GBH 2-24 DFR)
- (22) ปลอกหน้าของหัวจับดอกชนิดเปลี่ยนเร็ว (GBH 2-24 DFR)
- (23) แหวนกันของหัวจับชนิดเปลี่ยนเร็ว (GBH 2-24 DFR)
- (24) ช่องดูดออกของ Saugfix <sup>A)</sup>
- (25) น็อตหนีบสำหรับ Saugfix <sup>A)</sup>
- (26) ก้านวัดความลึกของ Saugfix <sup>A)</sup>
- (27) ท่อซึมน้ำมันของ Saugfix <sup>A)</sup>
- (28) น็อตปีกของ Saugfix <sup>A)</sup>
- (29) ท่อน้ำของ Saugfix <sup>A)</sup>
- (30) ด้ามจับดอกทั่วไปที่มีก้าน SDS-plus

A) อุปกรณ์ประกอบที่แสดงภาพหรืออธิบายไม่รวมอยู่ในการจัดส่งมาตรฐาน กรุณาดูอุปกรณ์ประกอบทั้งหมดในรายการแสดงอุปกรณ์ประกอบของเรา

### ข้อมูลทางเทคนิค

ส่วนโรตารี		GBH 2-24 RE	GBH 2-24 DRE	GBH 2-24 DFR
หมายเลขสินค้า		3 611 B72 0..	3 611 B72 1..	3 611 B73 0..
การควบคุมความเร็ว		●	●	●
หยุดการหมุน		-	●	●
การหมุนซ้าย/ขวา		●	●	●
หัวจับดอก		-	-	●
กำลังไฟฟ้าที่ติดตั้งเข้า	วัตต์	790	790	790
อัตรากระแทก	นาที <sup>-1</sup>	0-4200	0-4200	0-4200
พลังงานกระแทกต่อครั้งตามระเบียบการ EPTA-Procedure 05:2016	จูล	2.7	2.7	2.7
อัตราความเร็วพิกัด	นาที <sup>-1</sup>	0-930	0-930	0-930
ด้ามจับเครื่องมือ		SDS-plus	SDS-plus	SDS-plus



ส่วนโรตารี		GBH 2-24 RE	GBH 2-24 DRE	GBH 2-24 DFR
เส้นผ่าศูนย์กลางปลอกแกน	มม.	48.5	48.5	48.5
เส้นผ่าศูนย์กลางสูงสุดของการเจาะ				
- คอนกรีต	มม.	24	24	24
- งานก่ออิฐ (ด้วยดอกเจาะควาน)	มม.	68	68	68
- เหล็กกล้า	มม.	13	13	13
- ไม้	มม.	30	30	30
น้ำหนักตามระเบียบการ EPTA-Procedure 01:2014	กก.	2.8	2.8	2.9
ระดับความปลอดภัย		☐/II	☐/II	☐/II

ค่าที่ให้นี้ใช้ได้กับแรงดันไฟฟ้าอมีนอล [U] 230 โวลท์ ค่าเหล่านี้อาจเปลี่ยนแปลงไปสำหรับแรงดันไฟฟ้าที่แตกต่างกัน และโมเดลที่ผลิตสำหรับเฉพาะประเทศ

### ข้อมูลเกี่ยวกับเสียงและการสั่นตัว

ค่าการปล่อยเสียงกำหนดตาม **EN 60745-2-6**

ตามปกติระดับเสียงแบบถ่วงน้ำหนัก-A ของเครื่องมือไฟฟ้า คือ: ระดับความดันเสียง **92,5 dB(A)**; ระดับกำลังเสียง **103,5 dB(A)** ความคลาดเคลื่อน K = **3 dB**

#### สวมอุปกรณ์ป้องกันเสียงดัง!

ค่าความสั่นสะเทือนรวม  $a_h$  (ผลรวมเชิงเวกเตอร์ของสามทิศทาง) และความคลาดเคลื่อน K กำหนดตาม **EN 60745-2-6:**

การเจาะดอกในคอนกรีต:  $a_h = 13,1 \text{ m/s}^2$ , K = **1,5 m/s}^2,**

การสกัด:  $a_h = 13,9 \text{ m/s}^2$ , K = **1,5 m/s}^2,**

ระดับความสั่นสะเทือนที่ใหไว้ในคำแนะนำนี้วัดตามกระบวนการวัดมาตรฐาน และสามารถใช้สำหรับเปรียบเทียบเครื่องมือไฟฟ้าซึ่งกันและกัน ระดับความสั่นสะเทือนนี้ยังเหมาะสำหรับใช้ประเมินภาระการสั่นสะเทือนเบื้องต้นอีกด้วย ระดับความสั่นสะเทือนที่ใหไว้ในคำแนะนำนี้หมายถึงระดับความสั่นสะเทือนของเครื่องมือไฟฟ้าเมื่อใช้งานหลัก อย่างไรก็ตาม หากเครื่องมือไฟฟ้าถูกใช้เพื่อทำงานประเภทอื่น ไซรวมกับอุปกรณ์ประกอบที่ติดแปลกไป หรือได้รับการบำรุงรักษาไม่ดีพอ ระดับความสั่นสะเทือนอาจแตกต่างกันไปจากค่าที่ใหไว้ในลักษณะนี้ภาระการสั่นสะเทือนในช่วงการทำงานทั้งหมดอาจเพิ่มขึ้นอย่างชัดเจน

สำหรับการประเมินภาระการสั่นสะเทือนที่ถูกต้อง ควรนำเวลาที่เครื่องมือไฟฟ้าเปิดสวิตช์หรือกำลังวิ่งอยู่แต่ไม่ได้ทำงานจริงมาพิจารณาด้วย ในลักษณะนี้ภาระการสั่นสะเทือนในช่วงการทำงานทั้งหมดอาจลดลงอย่างชัดเจน

กำหนดมาตรการเพื่อความปลอดภัยเพิ่มเติมเพื่อป้องกันผู้ใช้ งานจากผลกระทบจากการสั่นสะเทือน ต.ย. เช่น: บำรุงรักษาเครื่องมือไฟฟ้าและอุปกรณ์ประกอบ ทำมือให้อุ่นไว้ จัดลำดับกระบวนการทำงาน

### การติดตั้ง

▶ ดึงปลั๊กไฟออกจากเต้าเสียบก่อนปรับแต่งเครื่อง

#### ด้ามจับเพิ่ม

ใช้เครื่องมือไฟฟ้าร่วมกับด้ามจับเพิ่มเสมอ (14)

#### การหมุนด้ามจับเพิ่ม (ดูภาพประกอบ A)

ท่านสามารถหมุนด้ามจับเพิ่ม (14) ไปยังตำแหน่งใดก็ได้ เพื่อให้ได้ทำงานที่มั่นคงและไม่เหนียวล้า

- หมุนก้านจับด้านล่างของด้ามจับเพิ่ม (14) ทวนเข็มนาฬิกา และหันด้ามจับเพิ่ม (14) ไปยังตำแหน่งที่ต้องการ จากนั้นจึงหมุนก้านจับด้านล่างของด้ามจับเพิ่ม (14) ในทิศทางเข็มนาฬิกากลับเข้าที่ให้แน่น ตรวจสอบให้แน่ใจว่าสายรัดปรับความตึงของด้ามจับเพิ่มอยู่ในร่องที่ตัวเครื่อง

#### การปรับความลึกการเจาะ (ดูภาพประกอบ B)

ท่านสามารถใช้ก้านวัดความลึก (13) เพื่อตั้งความลึกการเจาะ X ที่ต้องการ

- กดปุ่มสำหรับปรับก้านวัดความลึก (12) และใส่ก้านวัดความลึกเข้าในด้ามจับเพิ่ม (14) ต้องหันพื้นผิวที่เป็นร่องบนก้านวัดความลึก (13) ลงด้านล่าง

- ดันเครื่องมือ SDS-plus เข้าในด้ามจับเครื่องมือ SDS-plus (3) จนสุด หากเครื่องมือ SDS-plus เคลื่อนไหว อาจทำให้ปรับความลึกการเจาะได้ไม่ถูกต้อง
- ดึงก้านวัดความลึกออกมาจนระยะห่างระหว่างปลายดอกสว่านและปลายก้านวัดความลึกเท่ากับความลึกการเจาะที่ต้องการ X

### การเลือกหัวจับดอกและเครื่องมือ

สำหรับการเจาะดอกและการสกัดต้องใช้เครื่องมือ SDS-plus โดยใส่เครื่องมือเข้าไปในหัวจับดอก SDS-plus

สำหรับการเจาะโดยไม่กระทบในไม้ โลหะ เซรามิก และพลาสติก รวมทั้งการขันสกรู ต้องใช้เครื่องมือที่ไม่มี SDS-plus (ต. ย. เช่น ดอกสว่านที่มีก้านทรงกระบอก) ต้องใช้หัวจับดอกชนิดเปลี่ยนเร็วหรือหัวจับดอกที่มีเฟืองในสำหรับเครื่องมือเจาะเหล่านี้

**GBH 2-24 DFR:** หัวจับดอก SDS-plus (2) สามารถสลับเปลี่ยนกับหัวจับดอกชนิดเปลี่ยนเร็ว (1) ที่จัดส่งมาได้อย่างง่ายดาย

### การเปลี่ยนหัวจับดอกชนิดมีเฟืองใน (GBH 2-24 RE, GBH 2-24 DRE)

สำหรับการทำงานกับเครื่องมือที่ไม่มี SDS-plus (ต. ย. เช่น ดอกสว่านที่มีก้านทรงกระบอก) ต้องติดตั้งหัวจับดอกที่เหมาะสมเข้า (หัวจับดอกชนิดมีเฟืองในหรือหัวจับดอกชนิดเปลี่ยนเร็ว อุปกรณ์ประกอบ)

### การติดตั้งหัวจับดอกชนิดมีเฟืองใน (รูปภาพประกอบ C)

- ขันก้านติดตั้ง SDS-plus (20) เข้าในหัวจับดอกชนิดมีเฟืองใน (19) ยึดหัวจับดอกชนิดมีเฟืองใน (19) ด้วยสกรูยึด (18) กรุณาสังเกตว่าสกรูยึดมีเกลียวเกลียวซ้าย

### การใส่หัวจับดอกชนิดมีเฟืองใน (รูปภาพประกอบ C)

- ทำความสะอาดปลายก้านติดตั้ง และเคลือบจาระบีบางๆ
- จับหัวจับดอกชนิดมีเฟืองในพร้อมก้านติดตั้งหมุนใส่ในด้ามจับเครื่องมือจนเข้าล็อกโดยอัตโนมัติ
- ดึงหัวจับดอกชนิดมีเฟืองในเพื่อตรวจสอบการล็อก

### การถอดหัวจับดอกชนิดมีเฟืองใน

- ดันปลอกสำหรับล็อก (5) ไปด้านหลัง และดึงหัวจับดอกชนิดมีเฟืองใน (19) ออก

### การถอด/การใส่หัวจับดอก (GBH 2-24 DFR)

#### การถอดหัวจับดอก (รูปภาพประกอบ D)

- ดึงแหวนล็อกสำหรับหัวจับดอก (6) ไปด้านหลัง จับแหวนล็อกให้อยู่ในตำแหน่งนี้ และดึงหัวจับดอก SDS-plus (2) หรือหัวจับดอกชนิดเปลี่ยนเร็ว (1) ออกทางด้านหน้า

- เมื่อถอดดอกแล้ว ต้องป้องกันหัวจับดอกไม่ให้เหมือนสกปรก

### การใส่หัวจับดอก (รูปภาพประกอบ E)

- ทำความสะอาดหัวจับดอกก่อนใส่ และเคลือบจาระบีบางๆ ที่ปลายก้าน
- จับหัวจับดอก SDS-plus (2) หรือหัวจับดอกชนิดเปลี่ยนเร็ว (1) เต็มๆ มือ ดันหัวจับดอกหมุนใส่บนข้อรับหัวจับดอก (21) จนได้ยินเสียงขบเข้าล็อกอย่างชัดเจน
- หัวจับดอกจะล็อกโดยอัตโนมัติ ดึงหัวจับดอกเพื่อตรวจสอบการล็อก

### การเปลี่ยนเครื่องมือ

ฝาครอบกันฝุ่น (4) ส่วนใหญ่จะป้องกันไม่ให้อันที่เกิดจากการเจาะลอดเข้าไปในหัวจับดอกในระหว่างการใช้งาน เมื่อใส่เครื่องมือ ต้องระวังอย่าให้ฝาครอบกันฝุ่น (4) ชำรุด

- ▶ **ต้องเปลี่ยนฝาครอบกันฝุ่นที่ชำรุดโดยทันที**  
**เราขอแนะนำว่า ควรส่งให้ศูนย์บริการหลังการขายเปลี่ยนให้**

### การใส่เครื่องมือ SDS-plus (รูปภาพประกอบ F)

หัวจับดอก SDS-plus ทำให้เปลี่ยนเครื่องมือเจาะได้ง่ายและสะดวกโดยไม่ต้องใช้เครื่องมืออื่นๆ ช่วย

- **GBH 2-24 DFR:** ใส่หัวจับดอก SDS-plus (2)
- ทำความสะอาดและทาสีจาระบีบางๆ ที่ปลายก้านเครื่องมือ
- จับเครื่องมือหมุนใส่ในด้ามจับเครื่องมือจนเข้าล็อกโดยอัตโนมัติ
- ดึงเครื่องมือเพื่อตรวจสอบการล็อก

ตามเงื่อนไขของระบบ เครื่องมือ SDS-plus สามารถเคลื่อนไหวได้อย่างอิสระ ดังนั้นเมื่อเดินตัวเปล่า เครื่องมือจะวิ่งส่ายจากแนวรัศมี ซึ่งจะไม่มีผลต่อความเที่ยงตรงของรูเจาะ ดอกสว่านจะตั้งตัวให้อยู่ตรงกลางเองระหว่างการเจาะ

### การถอดเครื่องมือ SDS-plus (รูปภาพประกอบ G)

- ดันปลอกสำหรับล็อก (5) ไปด้านหลังและถอดเครื่องมือออก

### การใส่เครื่องมือที่ไม่มี SDS-plus (GBH 2-24 RE, GBH 2-24 DRE)

**หมายเหตุ:** อย่าใช้เครื่องมือที่ไม่มี SDS-plus สำหรับเจาะดอกหรือสกัด! เครื่องมือที่ไม่มี SDS-plus และหัวจับดอกของเครื่องมืออาจชำรุดจากการเจาะดอกหรือสกัด

- ใส่หัวจับดอกชนิดมีเฟืองใน (19)
- เปิดหัวจับดอกชนิดมีเฟืองใน (19) โดยการหมุนจนสามารถใส่เครื่องมือได้ ใส่เครื่องมือ
- ใส่ประแจหัวจับดอกเข้าไปในรูที่ลงรอยกันของหัวจับดอกชนิดมีเฟืองใน (19) และหนีบเครื่องมือเข้าเท่าๆ กัน

- GBH 2-24 RE: สับสิทธิ์ (16) ไปที่สัญลักษณ์ "การเจาะ"
- GBH 2-24 DRE: หมุนสิทธิ์หยุดกระแทก/หยุดหมุน (11) ไปที่ตำแหน่ง "การเจาะ"

#### การถอดเครื่องมือที่ไม่มี SDS-plus (GBH 2-24 RE, GBH 2-24 DRE)

- หมุนปลอกของหัวจับดอกชนิดมีเฟืองใน (19) ด้วยประแจ หัวจับดอกไปในทิศทางขวามือจากงานสามารถถอดเครื่องมือออกมาได้

#### การใส่เครื่องมือที่ไม่มี SDS-plus (GBH 2-24 DFR) (ดูภาพประกอบ H)

**หมายเหตุ:** อย่าใช้เครื่องมือที่ไม่มี SDS-plus สำหรับเจาะดอกหรือสกัด! เครื่องมือที่ไม่มี SDS-plus และหัวจับดอกของเครื่องมืออาจชำรุดจากการเจาะดอกหรือสกัด

- ใส่หัวจับดอกชนิดเปลี่ยนเร็ว (1)
- จับแหวนกัน (23) ของหัวจับดอกชนิดเปลี่ยนเร็วให้แน่น เปิดตามจับเครื่องมือโดยหมุนปลอกหน้า (22) จนสามารถใส่เครื่องมือเข้าไปได้ จับแหวนกัน (23) ให้แน่นและหมุนปลอกหน้า (22) ไปในทิศทางลูกศรจนได้ยินเสียงขบเข้าล็อกอย่างชัดเจน
- ดึงเครื่องมือเพื่อตรวจสอบการเข้าในตำแหน่งอย่างแน่นหนา

**หมายเหตุ:** หากตามจับเครื่องมือถูกเปิดออกจนสุด อาจได้ยินเสียงขบเข้าล็อกขณะหมุนตามจับเครื่องมือให้ปิด และตามจับเครื่องมือไม่มีตกลง

ในกรณีนี้ให้หมุนปลอกหน้า (22) ไปในทิศทางตรงข้ามกับทิศทางลูกศรหนึ่งครั้ง จากนั้นตามจับเครื่องมือจะสามารถปิดได้

- หมุนสิทธิ์หยุดกระแทก/หยุดหมุน (11) ไปที่ตำแหน่ง "การเจาะ"

#### การถอดเครื่องมือที่ไม่มี SDS-plus (GBH 2-24 DFR) (ดูภาพประกอบ I)

จับแหวนกัน (23) ของหัวจับดอกชนิดเปลี่ยนเร็วให้แน่น เปิดตามจับเครื่องมือโดยหมุนปลอกหน้า (22) ไปตามทิศทางลูกศรจนสามารถถอดเครื่องมือออกมาได้

#### การดูดฝุ่นด้วย Saugfix (อุปกรณ์ประกอบ)

##### การดูดฝุ่น/ขี้เลื่อย

ฝุ่นที่ได้จากวัสดุ เช่น เคลือบผิวที่มีสารตะกั่ว ไม้ยางประเภทแรฮาดู และโลหะ อาจเป็นอันตรายต่อสุขภาพ การสัมผัสหรือการหายใจเอาฝุ่นเข้าไปอาจทำให้เกิดปฏิกิริยาแพ้ฝุ่น และ/หรือนำมาซึ่งโรคติดเชื้อระบบหายใจแก่ผู้ใช้เครื่องหรือผู้ที่ยืนอยู่ใกล้เคียง

ฝุ่นบางประเภท เช่น ฝุ่นไม้โอ๊ก หรือไม้มีขี้ นับเป็นสารที่ทำให้เกิดมะเร็ง โดยเฉพาะอย่างยิ่งเมื่อผสม

กับสารเติมแต่งเพื่อบำบัดไม้ (โครเมต ผลิตภัณฑ์รักษาเนื้อไม้) สำหรับวัสดุที่มีแอลเบสทอลต้องให้ผู้เชี่ยวชาญทำงานเท่านั้น

- ใช้ระบบดูดฝุ่นออกที่เหมาะสมกับประเภทวัสดุ มากเท่าที่จะทำได้
- จัดสถานที่ทำงานให้มีการระบายอากาศที่ดี
- ขอแนะนำให้สวมหน้ากากป้องกันการติดเชื้อที่มีระดับ-ใส่กรอง P2

ปฏิบัติตามกฎข้อบังคับสำคัญอื่นๆ ที่เกี่ยวกับวัสดุชิ้นงานที่ยังคงใช้ในประเทศของท่าน

- ▶ **ป้องกันการสะสมของฝุ่นในสถานที่ทำงาน**  
ฝุ่นสามารถถูกให้ได้อย่างง่ายดาย

##### การติดตั้ง Saugfix (ดูภาพประกอบ J)

สำหรับการดูดฝุ่นออก ต้องใช้ Saugfix (อุปกรณ์ประกอบ) ขณะเจาะรู Saugfix จะร่นกลับเพื่อให้ส่วนหัวของ Saugfix อยู่ชิดกับพื้นผิวรูเจาะเสมอ

- กดปุ่มปรับก้านวัดความลึก (12) และถอดก้านวัดความลึก (13) ออกจากปุ่ม (12) อีกครั้งและใส่ Saugfix เข้าไปตามจับเพิ่ม (14) จากด้านบน
- ต่อท่อดูดฝุ่น (เส้นผ่าศูนย์กลาง 19 มม. อุปกรณ์ประกอบ) เข้ากับช่องดูดออก (24) ของ Saugfix

เครื่องดูดฝุ่นต้องมีลักษณะการใช้งานที่เหมาะสมกับประเภทวัสดุชิ้นงาน

ในกรณีดูดฝุ่นแห้งที่เป็นอันตรายต่อสุขภาพอย่างยิ่งหรืออาจก่อให้เกิดมะเร็งได้ ให้ใช้เครื่องดูดฝุ่นพิเศษ

##### การปรับความลึกการเจาะบน Saugfix (ดูภาพประกอบ K)

ท่านสามารถปรับความลึกการเจาะที่ต้องการ X ได้แม้มี Saugfix ติดตั้งอยู่

- ดันเครื่องมือ SDS-plus เข้าในตามจับเครื่องมือ SDS-plus (3) จนสุดการเคลื่อนที่ของเครื่องมือ SDS-plus อาจทำให้ปรับความลึกการเจาะได้ไม่ถูกต้อง
- คลายน็อตบีค (28) บน Saugfix
- จับเครื่องมือไฟฟ้าเข้าหาจุดที่จะเจาะอย่างมั่นคงโดยไม่ต้องเปิดสวิตช์ เครื่องมือ SDS-plus ต้องวางบนพื้นผิวที่จะเจาะ
- เลื่อนท่อนำ (29) ของ Saugfix ในที่ยึดเพื่อให้หัวของ Saugfix วางอยู่บนพื้นผิวที่จะเจาะ อย่าเลื่อนท่อนำ (29) ครอบเหนือท่อข้อต่อสวมกัน (27) มากเกินจำเป็น ทั้งนี้เพื่อจะได้สามารถมองเห็นมาตราส่วน (27) บนท่อข้อต่อสวมกันได้มากที่สุด
- ชันน็อตบีค (28) กลับเข้าให้แน่น คลายน็อตบีค (25) บนก้านวัดความลึกของ Saugfix

- เลื่อนก้านวัดความลึก (26) บนท่อข้อสวมกัน (27) ในลักษณะให้ระยะทาง X ดังแสดงในภาพประกอบเท่ากับ ความลึกการเจาะที่ต้องการ
- ชั้นน็อตหนีบ (25) ในตำแหน่งนี้เข้าให้แน่น

## การปฏิบัติงาน

### การเริ่มต้นปฏิบัติงาน

- ▶ ให้สังเกตแรงดันไฟฟ้า! แรงดันไฟฟ้าจากแหล่งจ่ายไฟฟ้าต้องมีค่าตรงกับค่าแรงดันไฟฟ้าที่ระบุไว้บนแผ่นป้ายยึดติดเครื่อง เครื่องมือไฟฟ้าที่มีเครื่องหมาย 230 โวลต์ สามารถใช้งานกับ 220 โวลต์ ได้ด้วย

### การตั้งโหมดทำงาน

#### GBH 2-24 RE

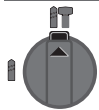
- ท่านสามารถเลือกโหมดทำงานของเครื่องมือไฟฟ้าด้วยสวิตช์เลือก "การเจาะ/การเจาะตอก" (16)
- เมื่อต้องการเปลี่ยนโหมดทำงาน ให้กดปุ่มปลดล็อก (15) และหมุนสวิตช์เลือก "การเจาะ/การเจาะตอก" (16) ไปยังตำแหน่งที่ต้องการจนได้ยินเสียงเข้าล็อก

#### GBH 2-24 DRE, GBH 2-24 DFR

- ท่านสามารถเลือกโหมดทำงานของเครื่องมือไฟฟ้าด้วยสวิตช์หยุดกระแทก/หยุดหมุน (11)
- เมื่อต้องการเปลี่ยนโหมดทำงาน ให้กดปุ่มปลดล็อก (10) และหมุนสวิตช์หยุดกระแทก/หยุดหมุน (11) ไปยังตำแหน่งที่ต้องการจนได้ยินเสียงเข้าล็อก

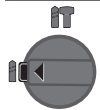
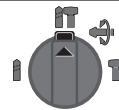
**หมายเหตุ:** เปลี่ยนโหมดทำงานเฉพาะเมื่อเครื่องมือไฟฟ้าปิดสวิตช์อยู่เท่านั้น! มิฉะนั้นเครื่องมือไฟฟ้าอาจชำรุดได้

#### GBH 2-24 RE



ตำแหน่งสำหรับการเจาะตอกในคอนกรีตหรือหิน

#### GBH 2-24 DRE GBH 2-24 DFR



ตำแหน่งสำหรับการเจาะโดยไม่กระแทกในไม้ โลหะ เซรามิก และพลาสติก รวมทั้งการขันสกรู



ตำแหน่ง Vario-Lock สำหรับปรับตำแหน่งสวิตช์หยุดกระแทก/



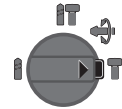
#### GBH 2-24 RE

#### GBH 2-24 DRE

#### GBH 2-24 DFR

หยุดหมุน (11) จะไม่ล็อกในตำแหน่งนี้

ตำแหน่งสำหรับการสกัด



### การกลับทิศทางการหมุน

- ▶ หมุนสวิตช์เปลี่ยนทิศทางการหมุน (7) เมื่อเครื่องหยุดนิ่งอยู่ที่ตำแหน่ง

ท่านสามารถใช้สวิตช์เปลี่ยนทิศทางการหมุน (7) เพื่อเปลี่ยนทิศทางการหมุนของเครื่องมือไฟฟ้า อย่างไรก็ตาม หากสวิตช์เปิด-ปิด (9) ถูกกดอยู่ จะไม่สามารถเปลี่ยนทิศทางการหมุน

- การหมุนทางขวา: หมุนสวิตช์เปลี่ยนทิศทางการหมุน (7) ทั้งสองข้างจนสุดไปที่ตำแหน่ง ←
- การหมุนทางซ้าย: หมุนสวิตช์เปลี่ยนทิศทางการหมุน (7) ทั้งสองข้างจนสุดไปที่ตำแหน่ง →
- ตั้งทิศทางการหมุนสำหรับการเจาะตอก การเจาะ และการสกัด ไว้ที่การหมุนทางขวาเสมอ

### การเปิด-ปิดเครื่อง

- เปิดสวิตช์เครื่องมือไฟฟ้าโดยกดสวิตช์เปิด-ปิด (9)
- ล็อกสวิตช์เปิด-ปิดโดยกดสวิตช์เปิด-ปิด (9) ค้างไว้และดันปุ่มล็อก (8) เพิ่ม
- ปิดสวิตช์เครื่องมือไฟฟ้าโดยปล่อยนิ้วจากสวิตช์เปิด-ปิด (9) หากสวิตช์เปิด-ปิด (9) ถูกล็อก ให้กดสวิตช์เปิด-ปิดก่อน แล้วจึงปล่อยนิ้ว

### การตั้งอัตราความเร็ว/อัตราการแตก

ท่านสามารถปรับการตั้งอัตราความเร็ว/อัตราการแตกของเครื่องมือไฟฟ้าที่เปิดสวิตช์ทำงานได้อย่างต่อเนื่อง ทั้งนี้ขึ้นอยู่กับแรงที่กดลงบนสวิตช์เปิด-ปิด (9)

กดสวิตช์เปิด-ปิด (9) เบาจะได้อัตราความเร็ว/อัตราการแตกต่ำ การกดสวิตช์แรงยิ่งขึ้นจะได้อัตราความเร็ว/อัตราการแตกเพิ่มขึ้น

### เคล็ดลับตัดการทำงานเกินกำลัง

- ▶ หากเครื่องมือที่ใส่อยู่เกิดขัดหรือติดแน่น แรงขับไป ยังเพลาส่วนจะสะดุดหยุด เนื่องจากแรงบิดที่เกิดขึ้น ต้องถือเครื่องมือไฟฟ้าให้แน่นด้วยมือทั้งสองข้างและหาที่ยืนที่มั่นคงเสมอ
- ▶ หากเครื่องมือไฟฟ้าติดขัด ให้ปิดสวิตช์เครื่องและปลดเครื่องมือที่ใส่อยู่ออก หากเปิดสวิตช์โดยที่เครื่องมือเจาะติดขัดอยู่ อาจเกิดแรงปฏิกิริยาบิดสูง

## ข้อแนะนำในการทำงาน

- ▶ ดึงปลั๊กไฟออกจากเต้าเสียบก่อนปรับแต่งเครื่อง
- ▶ เมื่อทำงานในบริเวณที่เครื่องมือตัดหรือสกรูอาจสัมผัสสายไฟฟ้าที่ซ่อนอยู่หรือสายไฟฟ้าของตัวเอง ต้องจับเครื่องมือไฟฟ้าตรงพื้นผิวจับที่หุ้มฉนวน หากเครื่องมือตัดและสกรูสัมผัสสายที่ "มีกระแสไฟฟ้า" ไหลผ่าน จะทำให้ชิ้นส่วนโลหะที่ไม่ได้หุ้มฉนวนของเครื่องมือไฟฟ้าเกิด "มีกระแสไฟฟ้า" ด้วย และส่งผลให้ผู้ใช้งานเครื่องถูกไฟฟ้าดูดได้

## การเปลี่ยนตำแหน่งสลัก (Vario-Lock) (GBH 2-24 DRE, GBH 2-24 DFR)

ท่านสามารถถอดดอกสลักได้ 36 ตำแหน่ง ในลักษณะนี้ท่านสามารถตั้งท่าทำงานได้เหมาะสมที่สุดสำหรับแต่ละรูปแบบการใช้งาน

- ไล่ดอกสลักเข้าไปในหัวจับดอก
- หมุนสวิตช์หยุดกระแส/หยุดหมุน (11) ไปที่ตำแหน่ง "Vario-Lock"
- หมุนเครื่องมือไปยังตำแหน่งการสลักที่ต้องการ
- หมุนสวิตช์หยุดกระแส/หยุดหมุน (11) ไปที่ตำแหน่ง "การสลัก" ด้วยวิธีนี้ด้ามจับเครื่องมือจะถูกล็อคไว้
- ตั้งทิศทางการหมุนสำหรับการสลักไว้ที่การหมุนทางขวา

## การใส่ดอกไขควง (คู่มือประกอบ L)

- ▶ จับเครื่องมือไฟฟ้าเข้านับหัวสกรู/น็อตเมื่อเครื่องปิดอยู่เท่านั้น เครื่องมือที่หมุนอยู่อาจลื่นไถล

เมื่อใช้ดอกไขควงทำงาน ต้องใช้ด้ามจับดอกทั่วไป (30) ที่มีก้านติดตั้ง SDS-plus (อุปกรณ์ประกอบ) ร่วมด้วย

- ทำความสะอาดปลายก้านติดตั้ง และเคลือบจาระบีบางๆ
- จับด้ามจับดอกทั่วไปหมุนไล่ในด้ามจับเครื่องมือจนเข้าล็อคโดยอัตโนมัติ
- ดึงด้ามจับดอกทั่วไปเพื่อตรวจสอบการล็อค
- ไล่ดอกไขควงเข้าไปในด้ามจับดอกทั่วไป ใช้ดอกไขควงที่มีขนาดพอดีกับหัวสกรูเท่านั้น
- เมื่อต้องการถอดด้ามจับดอกทั่วไปออก ให้ดึงปลอกถอด (5) ไปด้านหลัง และถอดด้ามจับดอกทั่วไป (30) ออกจากด้ามจับเครื่องมือ

## การบำรุงรักษาและบริการ

### การบำรุงรักษาและการทำความสะอาด

- ▶ ดึงปลั๊กไฟออกจากเต้าเสียบก่อนปรับแต่งเครื่อง
- ▶ เพื่อให้ทำงานได้อย่างถูกต้องและปลอดภัย ต้องรักษาเครื่องและช่องระบายอากาศให้สะอาดอยู่เสมอ

- ▶ ต้องเปลี่ยนฝาครอบกันฝุ่นที่ข่ารถโดยทันที เราขอแนะนำ ควรส่งให้ศูนย์บริการหลังการขายเปลี่ยนให้

- ทำความสะอาดด้ามจับเครื่องมือ (3) ทุกครั้งหลังใช้งาน หากจำเป็นต้องเปลี่ยนสายไฟฟ้า ต้องส่งเครื่องให้ Bosch หรือศูนย์บริการหลังการขายที่ได้รับมอบหมายสำหรับเครื่องมือไฟฟ้า Bosch เปลี่ยนให้ ทั้งนี้เพื่อหลีกเลี่ยงอันตราย

## การบริการหลังการขายและการให้คำปรึกษาการใช้งาน

ศูนย์บริการหลังการขายของเรายินดีตอบคำถามของท่านที่เกี่ยวกับการบำรุงรักษาและการซ่อมแซมผลิตภัณฑ์รวมทั้งเรื่องอะไหล่ ภาพแยกชิ้นและข้อมูลเกี่ยวกับอะไหล่ยังสามารถดูได้ใน: [www.bosch-pt.com](http://www.bosch-pt.com)

ทีมงานที่ปรึกษาของ บ็อบซ์ ยินดีให้ข้อมูลเกี่ยวกับผลิตภัณฑ์ของเราและอุปกรณ์ประกอบต่างๆ

[www.powertool-portal.de](http://www.powertool-portal.de) เว็บไซต์สำหรับช่างฝีมือและช่างสมัครเล่น

เมื่อต้องการสอบถามและสั่งซื้ออะไหล่ กรุณาแจ้งหมายเลขสินค้า 10 หลักบนแผ่นป้ายรุ่นของผลิตภัณฑ์ทุกครั้ง

### ไทย

ไทย บริษัท โรเบิร์ต บ็อบซ์ จำกัด  
เอฟวายไอ เซ็นเตอร์ อาคาร 1 ชั้น 5

เลขที่ 2525 ถนนพระราม 4  
แขวงคลองเตย เขตคลองเตย

กรุงเทพฯ 10110

โทร: +66 2012 8888

แฟกซ์: +66 2064 5800

[www.bosch.co.th](http://www.bosch.co.th)

ศูนย์บริการซ่อมและฝึกอบรม บ็อบซ์

อาคาร ลาซาลทาวเวอร์ ชั้น G ห้องเลขที่ 2

บ้านเลขที่ 10/11 หมู่ 16

ถนนศรีนครินทร์

ตำบลบางแก้ว อำเภอบางพลี

จังหวัดสมุทรปราการ 10540

ประเทศไทย

โทรศัพท์ 02 7587555

โทรสาร 02 7587525

### การกำจัดขยะ

เครื่องมือไฟฟ้า อุปกรณ์ประกอบ และที่บ่อ ต้องนำไปแยกประเภทวัสดุเพื่อการรีไซเคิลที่เป็นมิตรต่อสิ่งแวดล้อม



อย่าทิ้งเครื่องมือไฟฟ้าลงในขยะครัวเรือน!

### สำหรับประเทศสมาชิกสหภาพยุโรปเท่านั้น:

ตามระเบียบสหภาพยุโรป 2012/19/EU เกี่ยวกับเศษเหลือทิ้งของผลิตภัณฑ์ไฟฟ้าและอิเล็กทรอนิกส์และการนำไปปฏิบัติในกฎหมายระดับประเทศ ต้องเก็บคัดแยกเครื่องมือไฟฟ้าที่ไม่สามารถใช้งานได้อีกต่อไปและส่งเข้าสู่กระบวนการรีไซเคิลที่ไม่ทำลายสภาพแวดล้อม

## Bahasa Indonesia

### Petunjuk Keselamatan

#### Petunjuk Keselamatan Umum Perkakas Listrik

**⚠ PERINGATAN** Bacalah semua petunjuk keselamatan dan semua petunjuk penggunaan. Kesalahan dalam menjalankan petunjuk keselamatan dan petunjuk penggunaan dapat mengakibatkan sengatan listrik, kebakaran, dan/atau cedera serius.

**Simpanlah semua petunjuk keselamatan dan petunjuk penggunaan untuk acuan di masa mendatang.**

Istilah "perkakas listrik" dalam petunjuk keselamatan mengacu pada perkakas listrik yang dioperasikan dengan listrik (menggunakan kabel) atau perkakas listrik yang dioperasikan dengan baterai (tanpa kabel).

#### Keamanan tempat kerja

- ▶ **Jaga kebersihan dan pencahayaan area kerja.** Area yang berantakan atau gelap dapat memicu kecelakaan.
- ▶ **Jangan mengoperasikan perkakas listrik di lingkungan yang dapat memicu ledakan, seperti adanya cairan, gas, atau debu yang mudah terbakar.** Perkakas listrik dapat memancarkan bunga api yang kemudian mengakibatkan debu atau uap terbakar.
- ▶ **Jauhkan dari jangkauan anak-anak dan pengamat saat mengoperasikan perkakas listrik.** Gangguan dapat menyebabkan hilangnya kendali.

#### Keamanan listrik

- ▶ **Steker perkakas listrik harus sesuai dengan stopkontak. Jangan pernah memodifikasi steker. Jangan menggunakan steker adaptor bersama dengan perkakas listrik yang terhubung dengan sistem grounding.** Steker yang tidak dimodifikasi dan stopkontak yang cocok akan mengurangi risiko sengatan listrik.
- ▶ **Hindari kontak badan dengan permukaan yang terhubung dengan sistem grounding, seperti pipa, radiator, kompor, dan lemari es.** Terdapat peningkatan risiko terjadinya sengatan listrik jika badan Anda terhubung dengan sistem grounding.

- ▶ **Perkakas listrik tidak boleh terpapar hujan atau basah.** Air yang masuk ke dalam perkakas listrik menambah risiko terjadinya sengatan listrik.
- ▶ **Jangan menyalahgunakan kabel. Jangan gunakan kabel untuk membawa, menarik, atau melepas steker perkakas listrik. Jauhkan kabel dari panas, minyak, tepi yang tajam, atau komponen yang bergerak.** Kabel listrik yang rusak atau tersangkut menambah risiko terjadinya sengatan listrik.
- ▶ **Saat mengoperasikan perkakas listrik di luar ruangan, gunakan kabel ekstensi yang sesuai untuk penggunaan di luar ruangan.** Penggunaan kabel yang cocok untuk pemakaian di luar ruangan mengurangi risiko terjadinya sengatan listrik.
- ▶ **Jika perkakas listrik memang harus dioperasikan di tempat yang lembap, gunakan pemutus arus listrik residu (RCD).** Penggunaan RCD akan mengurangi risiko terjadinya sengatan listrik.

#### Keselamatan personel

- ▶ **Tetap waspada, perhatikan aktivitas yang sedang dikerjakan, dan gunakan akal sehat saat mengoperasikan perkakas listrik. Jangan gunakan perkakas listrik saat mengalami kelelahan atau di bawah pengaruh narkoba, alkohol, atau obat-obatan.** Jika perkakas listrik dioperasikan dengan daya konsentrasi yang rendah, hal tersebut dapat menyebabkan cedera serius.
- ▶ **Gunakan peralatan pelindung diri. Selalu kenakan pelindung mata.** Dengan memakai pakaian dan sarana pelindung, misalnya masker anti debu, sepatu tertutup yang tidak licin, helm pelindung, atau pemalut telinga sesuai dengan pekerjaan yang dilakukan, hal tersebut dapat mengurangi risiko cedera.
- ▶ **Hindari start yang tidak disengaja. Pastikan switch berada di posisi off sebelum perkakas listrik dihubungkan ke sumber daya listrik dan/atau baterai, diangkat, atau dibawa.** Membawa perkakas listrik dengan jari menempel pada tombol atau perkakas listrik dalam keadaan hidup dapat memicu kecelakaan.
- ▶ **Singkirkan kunci penyetel atau kunci pas sebelum menghidupkan perkakas listrik.** Perkakas atau kunci pas yang masih menempel pada komponen perkakas listrik yang berputar dapat menyebabkan cedera.
- ▶ **Jangan melampaui batas. Berdirilah secara mantap dan selalu jaga keseimbangan.** Hal ini akan memberikan kontrol yang lebih baik terhadap perkakas listrik pada situasi yang tak terduga.
- ▶ **Kenakan pakaian dengan wajar. Jangan mengenakan perhiasan atau pakaian yang longgar. Jauhkan rambut, pakaian, dan sarung tangan dari bagian-bagian perkakas yang bergerak.** Pakaian yang longgar, rambut panjang atau perhiasan dapat tersangkut dalam bagian perkakas yang bergerak.
- ▶ **Jika disediakan perangkat untuk sambungan pengisapan debu dan alat pengumpulan, pastikan perangkat tersebut terhubung dan digunakan dengan**



benar. Penggunaan alat pengumpulan dapat mengurangi bahaya yang disebabkan oleh debu.

#### Penggunaan dan pemeliharaan perkakas listrik

- ▶ **Jangan memaksakan perkakas listrik. Gunakan perkakas listrik yang sesuai untuk pekerjaan yang dilakukan.** Perkakas listrik yang sesuai akan bekerja dengan lebih baik dan aman sesuai tujuan penggunaan.
- ▶ **Jangan gunakan perkakas listrik dengan switch yang tidak dapat dioperasikan.** Perkakas listrik yang switchnya tidak berfungsi dapat menimbulkan bahaya dan harus diperbaiki.
- ▶ **Tariklah steker dari stopkontak dan/atau keluarkan baterai sebelum melakukan penyetelan pada perkakas listrik, penggantian aksesoris atau sebelum menyimpan perkakas listrik.** Tindakan keselamatan kerja ini mengurangi risiko perkakas listrik beroperasi secara tiba-tiba.
- ▶ **Jauhkan dan simpan perkakas listrik dari jangkauan anak-anak dan jangan biarkan orang-orang yang tidak mengetahui cara menggunakan perkakas listrik, mengoperasikan perkakas listrik.** Perkakas listrik dapat membahayakan jika digunakan oleh orang-orang yang tidak terlatih.
- ▶ **Rawatlah perkakas listrik. Periksa komponen yang bergerak apabila tidak lurus atau terikat, kerusakan komponen, dan kondisi lain yang dapat mengganggu pengoperasian perkakas listrik. Apabila rusak, perbaiki perkakas listrik sebelum digunakan.** Banyak kecelakaan terjadi karena perkakas listrik tidak dirawat dengan seksama.
- ▶ **Jaga ketajaman dan kebersihan alat.** Alat pemotong dengan pisau pemotong yang tajam dan dirawat dengan baik tidak akan mudah tersangkut dan lebih mudah dikendalikan.
- ▶ **Gunakan perkakas listrik, aksesoris, dan komponen perkakas dll sesuai dengan petunjuk ini, dengan mempertimbangkan kondisi kerja dan pekerjaan yang akan dilakukan.** Penggunaan perkakas listrik untuk tujuan berbeda dari fungsinya dapat menyebabkan situasi yang berbahaya.

#### Servis

- ▶ **Minta teknisi berkualifikasi untuk menyervis perkakas listrik dengan hanya menggunakan suku cadang yang identik.** Dengan demikian, hal ini akan memastikan keamanan perkakas listrik.

#### Petunjuk Keselamatan Hammer

- ▶ **Kenakan sumbat telinga.** Suara bising alat dapat menyebabkan berkurangnya pendengaran.
- ▶ **Gunakan handle tambahan, jika tersedia.** Kehilangan kendali dapat menyebabkan cedera.
- ▶ **Pegang perkakas listrik pada permukaan gagang isolator saat digunakan, karena aksesoris pemotong atau alat pengencang dapat saja bersentuhan dengan kabel yang tidak terlihat atau kabelnya sendiri.** Aksesoris pemotong dan alat pengencang yang

bersentuhan dengan kabel yang dialiri listrik dapat menyebabkan terbukanya bagian logam dari alat yang dialiri listrik sehingga berisiko mengakibatkan sengatan listrik pada operator.

- ▶ **Gunakanlah alat detektor logam yang cocok untuk mencari kabel dan pipa yang tidak terlihat atau hubungi perusahaan pengadaan setempat.** Sentuhan dengan kabel-kabel listrik dapat mengakibatkan api dan kontak listrik. Pipa gas yang rusak dapat mengakibatkan ledakan. Pipa air yang rusak mengakibatkan kerusakan barang-barang atau dapat mengakibatkan kontak listrik.
- ▶ **Sebelum meletakkan perkakas listrik, tunggulah hingga perkakas berhenti berputar.** Alat kerja dapat tersangkut dan menyebabkan perkakas listrik tidak dapat dikendalikan.
- ▶ **Gunakan alat kerja dengan aman.** Benda yang ditahan dalam alat pemegang atau bais lebih aman daripada benda yang dipegang dengan tangan.

## Spesifikasi produk dan performa



**Bacalah semua petunjuk keselamatan dan petunjuk penggunaan.** Kesalahan dalam menjalankan petunjuk keselamatan dan petunjuk penggunaan dapat mengakibatkan kontak listrik, kebakaran, dan/atau luka-luka

yang berat.

Perhatikan ilustrasi yang terdapat pada sisi sampul panduan pengoperasian.

#### Tujuan penggunaan

##### GBH 2-24 RE

Perkakas listrik ini dirancang untuk pengeboran pada beton, batu bata dan bebatuan. Perkakas listrik juga cocok untuk mengebor tanpa getaran di kayu, logam, keramik dan plastik. Perkakas listrik dengan penyetelan elektronik dan arah putaran ke kanan/kiri juga cocok untuk menyekrup.

##### GBH 2-24 DRE/DFR

Perkakas listrik ini dirancang untuk pengeboran pada beton, batu bata dan bebatuan serta untuk pemahatan ringan. Perkakas listrik juga cocok untuk mengebor tanpa getaran di kayu, logam, keramik dan plastik. Perkakas listrik dengan penyetelan elektronik dan arah putaran ke kanan/kiri juga cocok untuk menyekrup.

#### Ilustrasi komponen

Nomor-nomor dari bagian-bagian perkakas pada gambar sesuai dengan gambar perkakas listrik pada halaman bergambar.

- (1) Chuck bor pengencangan cepat (**GBH 2-24 DFR**)
- (2) Chuck bor penggantian SDS-plus (**GBH 2-24 DFR**)
- (3) Dudukan alat SDS-plus
- (4) Kap pelindung debu
- (5) Selongsong pengunci
- (6) Ring pengunci chuck bor penggantian (**GBH 2-24 DFR**)

- (7) Switch arah putaran
- (8) Tombol pengunci untuk tombol on/off
- (9) Tombol on/off
- (10) Tombol rilis untuk switch getaran/penghenti putaran (**GBH 2-24 DRE, GBH 2-24 DFR**)
- (11) Switch getaran/putaran (**GBH 2-24 DRE, GBH 2-24 DFR**)
- (12) Tombol untuk penyetelan pembatas kedalaman lubang
- (13) Pembatas kedalaman
- (14) Gagang tambahan (permukaan genggam berisolator)
- (15) Tombol rilis untuk switch "Pengeboran/pengeboran benda keras" (**GBH 2-24 RE**)
- (16) Switch "Pengeboran/pengeboran benda keras" (**GBH 2-24 RE**)
- (17) Gagang (permukaan genggam berisolator)
- (18) Sekrup pengunci untuk chuck bor bergerigi<sup>A)</sup>
- (19) Chuck bor bergerigi<sup>A)</sup>
- (20) Batang pemasang SDS-plus untuk chuck bor<sup>A)</sup>
- (21) Dudukan chuck bor (**GBH 2-24 DFR**)
- (22) Selongsong depan chuck bor pengencangan cepat (**GBH 2-24 DFR**)
- (23) Ring penahan chuck bor pengencangan cepat (**GBH 2-24 DFR**)
- (24) Lubang pengisapan Saugfix<sup>A)</sup>
- (25) Baut penjepit Saugfix<sup>A)</sup>
- (26) Pembatas kedalaman Saugfix<sup>A)</sup>
- (27) Pipa teleskopik Saugfix<sup>A)</sup>
- (28) Baut kupu-kupu Saugfix<sup>A)</sup>
- (29) Pipa pemandu Saugfix<sup>A)</sup>
- (30) Holder universal dengan batang pemasang SDS-plus

A) Aksesori yang ada pada gambar atau yang dijelaskan tidak termasuk dalam lingkup pengiriman standar. Semua aksesori yang ada dapat Anda lihat dalam program aksesori kami.

## Data teknis

Hammer bor		GBH 2-24 RE	GBH 2-24 DRE	GBH 2-24 DFR
Nomor seri		<b>3 611 B72 0..</b>	<b>3 611 B72 1..</b>	<b>3 611 B73 0..</b>
Kontrol kecepatan putaran		●	●	●
Penghenti putaran		-	●	●
Putaran arah ke kanan/kiri		●	●	●
Chuck bor penggantian		-	-	●
Input daya nominal	W	790	790	790
Tingkat getaran	min <sup>-1</sup>	0-4200	0-4200	0-4200
Daya tiap getaran sesuai dengan EPTA-Procedure 05:2016	J	2,7	2,7	2,7
Kecepatan nominal	min <sup>-1</sup>	0-930	0-930	0-930
Dudukan alat kerja		SDS-plus	SDS-plus	SDS-plus
Diameter leher spindle	mm	48,5	48,5	48,5
Diameter pengeboran maks.				
- Beton	mm	24	24	24
- Tembok (dengan mata bor pipa)	mm	68	68	68
- Baja	mm	13	13	13
- Kayu	mm	30	30	30
Berat sesuai dengan EPTA-Procedure 01:2014	kg	2,8	2,8	2,9
Klasifikasi keamanan		□/II	□/II	□/II

Data-data berlaku untuk tegangan nominal [U] 230 V. Pada tegangan yang berbeda dan pada model khusus tiap negara data-data ini dapat bervariasi.

## Informasi bunyi/getaran

Tingkat emisi kebisingan ditentukan berdasarkan **EN 60745-2-6**.

Tingkat kebisingan kategori A perkakas listrik biasanya adalah: tingkat tekanan suara **92,5 dB(A)**; tingkat kekuatan suara **103,5 dB(A)**. Ketidakpastian K = **3 dB**.

### Gunakan pelindung telinga!

Nilai total getaran  $a_h$  (jumlah vektor tiga arah) dan ketidakpastian K ditentukan berdasarkan **EN 60745-2-6**:

Pengeboran benda keras pada beton:  $a_h = 13,1 \text{ m/s}^2$ ,  $K = 1,5 \text{ m/s}^2$ ,

Pemahatan:  $a_h = 13,9 \text{ m/s}^2$ ,  $K = 1,5 \text{ m/s}^2$ ,

Level getaran yang terdapat dalam petunjuk penggunaan ini telah sesuai dengan standarisasi metode penghitungan yang digunakan dan nilai tersebut dapat digunakan sebagai perbandingan pada masing-masing perkakas listrik. Nilai tersebut telah memenuhi kualifikasi estimasi nilai untuk beban getaran.

Level getaran yang ditetapkan merepresentasikan penggunaan utama pada perkakas listrik. Ketika perkakas listrik digunakan untuk hal lainnya dengan berbagai alat kinerja lainnya atau perawatannya tidak memadai, maka level getaran mungkin berbeda dari yang ditetapkan. Hal ini dapat meningkatkan beban getaran pada saat alat dioperasikan.

Untuk estimasi beban getaran tertentu, waktu pada saat alat tersebut dinyalakan atau digunakan juga harus ditentukan, meskipun tidak secara langsung. Hal ini bisa mengurangi beban getaran pada saat alat dioperasikan.

Perhatikan petunjuk keamanan untuk melindungi pengguna dari efek getaran seperti misalnya: merawat perkakas listrik dan alat sisipan, menjaga tangan tetap hangat, mengatur alur kerja.

## Pemasangan

- **Sebelum mulai dengan pekerjaan pada perkakas listrik, tariklah steker dari stopkontak.**

### Gagang tambahan

Hanya gunakan perkakas listrik dengan gagang tambahan (14).

#### Memutar gagang tambahan (lihat gambar A)

Gagang tambahan (14) dapat digerakkan ke arah mana saja untuk memungkinkan posisi kerja yang aman dan tidak melelahkan.

- Putar bagian bawah gagang tambahan (14) berlawanan arah jarum jam dan gerakkan gagang tambahan (14) ke posisi yang diinginkan. Setelah itu, putar dan kencangkan kembali bagian bawah gagang tambahan (14) searah jarum jam.  
Pastikan tali pengencang gagang tambahan berada dalam alur yang tersedia di housing.

#### Mengatur kedalaman pengeboran (lihat gambar B)

Dengan pembatas kedalaman (13), kedalaman lubang X yang diinginkan dapat ditetapkan.

- Tekan tombol untuk mengatur pembatas kedalaman (12) dan pasang pembatas kedalaman ke gagang tambahan (14).  
Permukaan yang menonjol pada pembatas kedalaman (13) harus menghadap ke bawah.

- Masukkan alat sisipan SDS-plus ke dalam dudukan alat kerja SDS-plus (3) hingga maksimal. Alat kerja SDS-plus yang goyah dapat menyebabkan kesalahan dalam penyetulan kedalaman bor.
- Tarik pembatas kedalaman hingga jarak antara ujung mata bor dan ujung pembatas kedalaman sesuai dengan kedalaman pengeboran X yang diinginkan.

### Memilih chuck bor dan perkakas

Untuk mengebor dan memahat diperlukan perkakas SDS-plus yang dipasang ke dalam chuck bor SDS-plus.

Perkakas tanpa SDS-plus (misalnya bor dengan batang berbentuk silinder) digunakan untuk pengeboran tanpa getaran di kayu, logam, keramik dan plastik serta untuk penyekrupan. Untuk perkakas ini diperlukan chuck bor pengencangan cepat atau chuck bor bergigi.

**GBH 2-24 DFR:** Chuck bor penggantian SDS-plus (2) dapat diganti dengan mudah dengan chuck bor pengencangan cepat (1) yang telah disediakan.

### Mengganti chuck bor bergerigi (GBH 2-24 RE, GBH 2-24 DRE)

Chuck bor yang sesuai (chuck bor bergerigi atau chuck bor pengencangan cepat, aksesori) harus dipasang agar dapat melakukan pengerjaan dengan alat kerja tanpa SDS-plus (misalnya chuck bor dengan batang berbentuk silinder).

#### Memasang chuck bor bergerigi (lihat gambar C)

- Pasang batang pemasang SDS-plus (20) ke dalam chuck bor bergerigi (19). Kencangkan chuck bor bergerigi (19) dengan sekrup pengunci (18). **Perhatikan bahwa sekrup pengunci memiliki ulir yang berputar ke arah kiri.**

#### Memasang chuck bor bergerigi (lihat gambar C)

- Bersihkan ujung batang pemasang dan lumasi dengan sedikit minyak.
- Pasang chuck bor bergigi dengan batang pemasang ke dalam dudukan perkakas dengan cara diputar hingga terkunci.
- Periksa penguncian dengan menarik chuck bor bergerigi.

#### Melepaskan chuck bor bergigi

- Dorong selongsong pengunci (5) ke belakang dan lepaskan chuck bor bergerigi (19).

### Melepaskan/memasang chuck bor penggantian (GBH 2-24 DFR)

#### Melepaskan chuck bor penggantian (lihat gambar D)

- Tarik ring pengunci chuck bor penggantian (6) ke belakang, tahan ring pengunci pada posisi ini dan tarik chuck penggantian SDS-plus (2) atau chuck bor pengencangan cepat (1) ke depan hingga terlepas.
- Jaga kebersihan chuck bor penggantian setelah dilepaskan.

**Memasang chuck bor penggantian (lihat gambar E)**

- Bersihkan chuck bor penggantian sebelum dipasang dan lumasi ujungnya dengan sedikit minyak.
- Pegang chuck bor penggantian SDS-plus (2) atau chuck bor pengencangan cepat (1) dengan seluruh tangan. Dorong chuck bor penggantian dengan diputar ke kedudukan chuck bor (21) hingga terdengar bunyi mengunci yang jelas.
- Chuck bor penggantian mengunci secara otomatis. Periksa penguncian dengan menarik chuck bor.

**Mengganti alat**

Tutup pelindung debu (4) mencegah masuknya debu pengeboran ke dalam kedudukan alat kerja selama pengoperasian. Saat memasang alat kerja, pastikan tutup pelindung debu (4) tidak menjadi rusak.

- ▶ **Tutup pelindung debu yang rusak harus segera diganti. Disarankan untuk melakukannya di layanan pelanggan Bosch.**

**Memasang alat sisipan SDS-plus (lihat gambar F)**

Dengan chuck bor SDS-plus, alat sisipan dapat diganti dengan mudah dan cepat tanpa menggunakan alat bantu.

- **GBH 2-24 DFR:** Pasang chuck bor penggantian SDS-plus (2).
- Bersihkan ujung alat sisipan dan lumasi dengan sedikit minyak.
- Pasang alat sisipan ke dalam kedudukan alat kerja dengan diputar hingga terkunci dengan sendirinya.
- Periksa penguncian dengan menarik perkakas.

Alat sisipan SDS-plus harus dapat bergerak dengan bebas. Hal ini menimbulkan penyimpangan putaran sewaktu perkakas listrik berjalan pada kecepatan idle. Hal ini tidak memengaruhi ketepatan lubang bor karena mata bor memusatkan dengan sendirinya saat mengebor.

**Melepaskan alat sisipan SDS-plus (lihat gambar G)**

- Dorong selongsong pengunci (5) ke belakang dan lepaskan alat sisipan.

**Memasang alat sisipan tanpa SDS-plus (GBH 2-24 RE, GBH 2-24 DRE)**

**Catatan:** Jangan gunakan alat kerja tanpa SDS-plus untuk mengebor benda keras atau memahat! Alat kerja tanpa SDS-plus dan chuck bor akan menjadi rusak jika digunakan untuk mengebor benda keras dan memahat.

- Pasang chuck bor bergerigi (19).
- Buka chuck bor bergerigi (19) dengan diputar hingga alat kerja dapat dimasukkan. Pasang alat.
- Masukkan kunci chuck bor ke dalam lubang yang sesuai pada chuck bor bergerigi (19) dan kencangkan alat kerja secara merata.
- **GBH 2-24 RE:** Atur switch (16) ke simbol "Pengeboran".
- **GBH 2-24 DRE:** Putar switch getaran/penghenti putaran (11) ke posisi "Pengeboran".

**Melepaskan alat sisipan tanpa SDS-plus (GBH 2-24 RE, GBH 2-24 DRE)**

- Putar selongsong chuck bor bergerigi (19) menggunakan kunci chuck bor berlawanan arah jarum jam hingga alat sisipan dapat dilepas.

**Memasang alat sisipan tanpa SDS-plus (GBH 2-24 DFR) (lihat gambar H)**

**Catatan:** Jangan gunakan alat kerja tanpa SDS-plus untuk mengebor benda keras atau memahat! Alat kerja tanpa SDS-plus dan chuck bor akan menjadi rusak jika digunakan untuk mengebor benda keras dan memahat.

- Pasang chuck bor pengencangan cepat (1).
- Pegang ring penahan (23) chuck bor pengencangan cepat dengan kuat. Buka kedudukan alat kerja dengan memutar selongsong depan (22) hingga alat kerja dapat dimasukkan. Pegang ring penahan (23) dengan kuat dan putar selongsong depan (22) dengan kuat sesuai arah panah hingga terdengar bunyi klik secara jelas.
- Periksa kedudukannya dengan menarik alat.

**Catatan:** Jika kedudukan alat kerja dibuka hingga maksimal, bunyi klik dapat terdengar saat menutup kedudukan alat kerja dan kedudukan alat kerja tidak akan menutup.

Dalam hal ini, putar selongsong depan (22) satu kali berlawanan dengan arah panah. Lalu, kedudukan alat kerja akan dapat ditutup.

- Putar switch getaran/penghenti putaran (11) ke posisi "Pengeboran".

**Melepaskan alat sisipan tanpa SDS-plus (GBH 2-24 DFR) (lihat gambar I)**

Pegang ring penahan (23) chuck bor pengencangan cepat dengan kuat. Buka kedudukan alat kerja dengan memutar selongsong depan (22) ke arah panah hingga alat kerja dapat dilepaskan.

**Pengisapan debu dengan Saugfix (aksesori)****Pengisapan debu/serbuk**

Debu dari bahan-bahan seperti cat yang mengandung timbal, beberapa jenis kayu, bahan mineral dan logam dapat berbahaya bagi kesehatan. Menyentuh atau menghirup debu tersebut dapat mengakibatkan reaksi alergi dan/atau penyakit saluran pernapasan bagi pengguna atau orang yang berada di dekatnya.

Beberapa debu tertentu seperti misalnya debu kayu pohon ek atau pohon fagus silvatica dianggap dapat mengakibatkan penyakit kanker, terutama dalam campuran dengan bahan-bahan tambahan untuk pengolahan kayu (kromat, obat pengawet kayu). Bahan-bahan yang mengandung asbes hanya boleh dikerjakan oleh orang-orang yang ahli.

- Gunakanlah hanya pengisap debu yang cocok untuk mengisap bahan yang dikerjakan.
- Pastikan terdapat ventilasi udara yang baik di tempat kerja.
- Dianjurkan untuk memakai masker anti debu dengan filter kelas P2.

Taatilah peraturan-peraturan untuk bahan-bahan yang dikerjakan yang berlaku di negara Anda.

- **Hindari debu yang banyak terkumpul di tempat kerja.**  
Debu dapat tersulut dengan mudah.

#### Memasang alat pengisap (lihat gambar J)

Untuk pengisapan debu diperlukan Saugfix (aksesori). Saat mengebor, Saugfix akan bergerak ke tempat semula sehingga ujung Saugfix selalu ditahan rapat dengan permukaan benda kerja.

- Tekan tombol untuk mengatur pembatas kedalaman (12) dan lepaskan pembatas kedalaman (13). Tekan kembali tombol (12) dan pasang Saugfix dari depan ke dalam gagang tambahan (14).
- Sambungkan slang pengisap (diameter 19 mm, aksesori) ke lubang pengisap (24).

Mesin pengisap debu harus sesuai dengan bahan yang dikerjakan.

Gunakan mesin pengisap khusus saat mengisap debu yang sangat berbahaya bagi kesehatan, pemicu kanker atau debu kering.

#### Mengatur kedalaman pengeboran pada Saugfix (lihat gambar K)

Kedalaman pengeboran yang diinginkan **X** juga dapat diatur pada Saugfix yang terpasang.

- Dorong alat sisipan SDS-plus ke dalam dudukan alat kerja SDS-plus (3) hingga maksimal. Alat kerja SDS-plus yang goyah dapat menyebabkan kesalahan dalam penyetelan kedalaman bor.
- Kendorkan baut kupu-kupu (28) pada Saugfix.
- Pasang perkakas listrik dengan kuat tanpa menghidupkannya pada permukaan yang akan dibor. Alat kerja SDS-plus harus mengenai permukaan yang dibor.
- Posisikan pipa pemandu (29) Saugfix pada penahannya sedemikian rupa hingga ujung Saugfix berada pada permukaan yang akan dibor. Jangan terus mendorong pipa pemandu (29) pada pipa teleskopik (27) dari yang diperlukan agar sebagian besar skala pada pipa teleskopik (27) tetap terlihat.
- Kencangkan kembali baut kupu-kupu (28). Kendorkan baut penjepit (25) pada pembatas kedalaman Saugfix.
- Geser pembatas kedalaman (26) pada pipa teleskopik (27) sedemikian rupa hingga jarak **X** yang ditunjukkan pada gambar sesuai dengan kedalaman pengeboran yang diinginkan.
- Kencangkan baut penjepit (25) di posisi ini.

## Penggunaan

### Pengoperasian

- **Perhatikan tegangan listrik! Tegangan jaringan listrik harus sesuai dengan tegangan listrik yang tercantum pada label tipe perkakas listrik. Perkakas listrik dengan daya sebesar 230 V seperti yang diindikasikan pada label dapat juga dioperasikan pada daya 220 V.**

### Menyetel mode pengoperasian

#### GBH 2-24 RE

Mode pengoperasian perkakas listrik dipilih menggunakan switch "Pengeboran/pengeboran benda keras" (16).

- Untuk mengganti mode pengoperasian, tekan tombol rilis (15) dan putar switch "Pengeboran/pengeboran benda keras" (16) ke posisi yang diinginkan hingga switch terdengar mengunci.

#### GBH 2-24 DRE, GBH 2-24 DFR

Pilih mode pengoperasian perkakas listrik menggunakan switch getaran/penghenti putaran (11).

- Untuk mengganti mode pengoperasian, tekan tombol rilis (10) dan putar switch getaran/penghenti putaran (11) ke posisi yang diinginkan hingga switch terdengar mengunci.

**Catatan:** Hanya ubah mode pengoperasian saat perkakas listrik dimatikan! Jika tidak, perkakas listrik dapat rusak.

#### GBH 2-24 RE

#### GBH 2-24 DRE GBH 2-24 DFR



Posisi untuk  
**mengebor benda  
keras** di beton atau  
batu



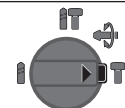
Posisi untuk  
**mengebor** tanpa  
getaran di kayu, logam,  
keramik dan plastik  
serta untuk menyekrup



Posisi **Vario-Lock**  
untuk penyesuaian  
posisi pahat  
Switch getaran/  
penghenti putaran  
(11) tidak mengunci  
pada posisi ini.



Posisi untuk **memahat**



### Menyetel arah putaran

- **Tekan switch arah putaran (7) hanya saat perkakas listrik sedang tidak beroperasi.**

Arah putaran perkakas listrik dapat diubah menggunakan switch arah putaran (7). Namun, hal ini tidak dapat dilakukan jika tombol on/off (9) ditekan.

- **Putaran ke kanan:** Putar switch arah putaran (7) pada kedua sisi ke posisi hingga maksimal.
- **Putaran ke kiri:** Putar switch arah putaran (7) pada kedua sisi ke posisi hingga maksimal.
- Selalu setel arah putaran ke kanan pada waktu mengebor benda keras, mengebor biasa dan memahat.

### Menyalakan/mematikan

- Untuk **menyalakan** perkakas listrik, tekan tombol on/off (9).

- Untuk **mengunci** tombol on/off **(9)**, tekan dan tahan tombol serta tekan tombol pengunci **(8)**.
- Untuk **mematikan** perkakas listrik, lepaskan tombol on/off **(9)**. Jika tombol on/off **(9)** terkunci, tekan tombol terlebih dulu kemudian lepaskan.

#### Menyetel kecepatan putaran/tingkat getaran

Kecepatan putaran/tingkat getaran dari perkakas listrik yang dihidupkan dapat disesuaikan tanpa tingkatan bergantung pada seberapa jauh tombol on/off **(9)** ditekan.

Jika tombol on/off **(9)** ditekan ringan, kecepatan putaran/tingkat getaran akan menjadi rendah. Jika tombol ditekan kuat, kecepatan putaran/tingkat getaran akan bertambah.

#### Kopling beban berlebihan

- ▶ Jika alat sisipan terjepit atau tersangkut, maka daya penggerak ke spindel bor akan terhenti. Akibat daya yang timbul, tahan selalu perkakas listrik dengan kuat menggunakan kedua tangan dan ambil pijakan yang kuat.
- ▶ Jika perkakas listrik macet, matikan perkakas listrik dan lepaskan alat sisipan. Jika perkakas listrik dihidupkan dengan kondisi mesin bor masih macet, hal ini dapat menyebabkan terjadinya torsi reaksi yang besar.

#### Petunjuk pengoperasian

- ▶ Sebelum mulai dengan pekerjaan pada perkakas listrik, tariklah steker dari stopkontak.
- ▶ Pegang perkakas listrik pada permukaan gagang isolator saat digunakan, karena aksesoris pemotong atau alat pengencang dapat saja bersentuhan dengan kabel yang tidak terlihat atau kabelnya sendiri. Aksesoris pemotong dan alat pengencang yang bersentuhan dengan kabel yang dialiri listrik dapat menyebabkan terbukanya bagian logam dari alat yang dialiri listrik sehingga berisiko mengakibatkan sengatan listrik pada operator.

#### Mengubah posisi pahat (Vario-Lock) (GBH 2-24 DRE, GBH 2-24 DFR)

Pahat dapat dikunci pada **36** posisi. Dengan demikian posisi kerja yang optimal dapat diperoleh.

- Masukkan pahat ke dalam dudukan alat kerja.
- Putar switch getaran/penghenti putaran **(11)** ke posisi "Vario-Lock".
- Putar alat sisipan ke posisi pahat yang diinginkan.
- Putar switch getaran/penghenti putaran **(11)** ke posisi "Pemahatan". Pahat kemudian akan terkunci.
- Untuk memahat, setel arah putaran ke kanan.

#### Memasang mata obeng (lihat gambar L)

- ▶ Pasang perkakas listrik pada mur/sekrup hanya saat dalam keadaan mati. Alat sisipan yang berputar dapat tergelincir.

Untuk menggunakan mata obeng diperlukan holder universal **(30)** dengan batang pemasang SDS-plus (aksesori).

- Bersihkan ujung batang pemasang dan lumasi dengan sedikit minyak.
- Pasang holder universal dengan cara diputar ke dalam dudukan alat kerja hingga terkunci dengan sendirinya.
- Periksa penguncian dengan menarik holder universal.
- Pasang mata obeng ke dalam holder universal. Hanya gunakan mata obeng yang sesuai dengan kepala sekrup.
- Untuk melepaskan holder universal, dorong selongsong pengunci **(5)** ke belakang dan lepaskan holder universal **(30)** dari dudukan alat kerja.

## Perawatan dan servis

### Perawatan dan pembersihan

- ▶ Sebelum mulai dengan pekerjaan pada perkakas listrik, tariklah steker dari stopkontak.
- ▶ Perkakas listrik dan lubang ventilasi harus selalu dibersihkan agar perkakas dapat digunakan dengan baik dan aman.
- ▶ Tutup pelindung debu yang rusak harus segera diganti. Disarankan untuk melakukannya di layanan pelanggan Bosch.
- Bersihkan dudukan alat kerja **(3)** setiap kali setelah digunakan.

Jika kabel perlu diganti, pekerjaan ini harus dilakukan oleh **Bosch** atau pusat layanan pelanggan resmi untuk perkakas listrik **Bosch** agar keamanan kerja selalu terjamin.

### Layanan pelanggan dan konsultasi penggunaan

Layanan pelanggan Bosch menjawab semua pertanyaan Anda tentang reparasi dan perawatan serta tentang suku cadang produk ini. Gambaran teknis (exploded view) dan informasi mengenai suku cadang dapat ditemukan di:

**www.bosch-pt.com**

Tim konsultasi penggunaan Bosch akan membantu Anda menjawab pertanyaan seputar produk kami beserta aksesorinya.

**www.powertool-portal.de**, portal internet untuk perajin dan tukang.

Jika Anda hendak menanyakan sesuatu atau memesan suku cadang, selalu sebutkan nomor model yang terdiri atas 10 angka dan tercantum pada label tipe produk.

#### Indonesia

PT Robert Bosch  
Palma Tower 10th Floor  
Jalan RA Kartini II-S Kaveling 6  
Pondok Pinang, Kebayoran Lama  
Jakarta Selatan 12310  
Tel.: (021) 3005 5800  
Fax: (021) 3005 5801  
E-Mail: boschpowertools@id.bosch.com  
www.bosch-pt.co.id

### Cara membuang

Perkakas listrik, aksesoris, dan kemasan sebaiknya didaur ulang secara ramah lingkungan.





Jangan membuang perkakas listrik ke dalam sampah rumah tangga!

### Hanya untuk negara Uni Eropa:

Menurut European Directive 2012/19/EU tentang limbah peralatan listrik dan elektronik dan kaitannya dengan hukum nasional, listrik yang tidak lagi dapat digunakan harus dikumpulkan secara terpisah dan didaur ulang dengan cara yang ramah lingkungan.

## Tiếng Việt

### Hướng dẫn an toàn

#### Cảnh báo Tổng quát Cách sử dụng An toàn Dụng cụ điện Cắm tay

**⚠ CẢNH BÁO** Đọc kỹ mọi cảnh báo an toàn và hướng dẫn. Không tuân thủ mọi cảnh báo và hướng dẫn được liệt kê dưới đây có thể bị điện giật, gây cháy và / hay bị thương tật nghiêm trọng.

**Hãy giữ tất cả tài liệu về cảnh báo và hướng dẫn để tham khảo về sau.**

Thuật ngữ "dụng cụ điện cắm tay" trong phần cảnh báo là đề cập đến sự sử dụng dụng cụ điện cắm tay của bạn, loại sử dụng điện nguồn (có dây cắm điện) hay vận hành bằng pin (không dây cắm điện).

#### Khu vực làm việc an toàn

- ▶ **Giữ nơi làm việc sạch và đủ ánh sáng.** Nơi làm việc bừa bộn và tối tăm dễ gây ra tai nạn.
- ▶ **Không vận hành dụng cụ điện cắm tay trong môi trường dễ gây nổ, chẳng hạn như nơi có chất lỏng dễ cháy, khí đốt hay rác.** Dụng cụ điện cắm tay tạo ra các tia lửa nên có thể làm rác bén cháy hay bốc khói.
- ▶ **Không để trẻ em hay người đến xem đứng gần khi vận hành dụng cụ điện cắm tay.** Sự phân tâm có thể gây ra sự mất điều khiển.

#### An toàn về điện

- ▶ **Phích cắm của dụng cụ điện cắm tay phải thích hợp với ổ cắm.** Không bao giờ được cải biến lại phích cắm dưới mọi hình thức. Không được sử dụng phích tiếp hợp nổi tiếp đất (dây mát). Phích cắm nguyên bản và ổ cắm đúng loại sẽ làm giảm nguy cơ bị điện giật.
- ▶ **Tránh không để thân thể tiếp xúc với đất hay các vật có bề mặt tiếp đất như đường ống, lò sưởi, hàng rào và tủ lạnh.** Có nhiều nguy cơ bị điện giật hơn nếu cơ thể bạn tiếp xúc với đất.
- ▶ **Không được để dụng cụ điện cắm tay ngoài mưa hay ở tình trạng ẩm ướt.** Nước vào máy sẽ làm tăng nguy cơ bị điện giật.

- ▶ **Không được lạm dụng dây dẫn điện.** Không bao giờ được nắm dây dẫn để xách, kéo hay rút phích cắm dụng cụ điện cắm tay. Không để dây gần nơi có nhiệt độ cao, dầu nhớt, vật nhọn bén và bộ phận chuyển động. Làm hỏng hay cuộn rối dây dẫn làm tăng nguy cơ bị điện giật.
- ▶ **Khi sử dụng dụng cụ điện cắm tay ngoài trời, dùng dây nối thích hợp cho việc sử dụng ngoài trời.** Sử dụng dây nối thích hợp cho việc sử dụng ngoài trời làm giảm nguy cơ bị điện giật.
- ▶ **Nếu việc sử dụng dụng cụ điện cắm tay ở nơi ẩm ướt là không thể tránh được, dùng thiết bị ngắt mạch tự động (RCD) bảo vệ nguồn.** Sử dụng thiết bị ngắt mạch tự động RCD làm giảm nguy cơ bị điện giật.

#### An toàn cá nhân

- ▶ **Hãy tỉnh táo, biết rõ mình đang làm gì và hãy sử dụng ý thức khi vận hành dụng cụ điện cắm tay.** Không sử dụng dụng cụ điện cắm tay khi đang mệt mỏi hay đang bị tác động do chất gây nghiện, rượu hay dược phẩm gây ra. Một thoáng mất tập trung khi đang vận hành dụng cụ điện cắm tay có thể gây thương tích nghiêm trọng cho bản thân.
- ▶ **Sử dụng trang bị bảo hộ cá nhân.** Luôn luôn đeo kính bảo vệ mắt. Trang bị bảo hộ như khẩu trang, giày chống trượt, nón bảo hộ, hay dụng cụ bảo vệ tai khi được sử dụng đúng nơi đúng chỗ sẽ làm giảm nguy cơ thương tật cho bản thân.
- ▶ **Phòng tránh máy khởi động bất ngờ.** Bảo đảm công tắc máy ở vị trí tắt trước khi cắm vào nguồn điện và/hay lắp pin vào, khi nhấn máy lên hay khi mang xách máy. Ngáng ngón tay vào công tắc máy để xách hay kích hoạt dụng cụ điện cắm tay khi công tắc ở vị trí mở dễ dẫn đến tai nạn.
- ▶ **Lấy mọi chìa hay khóa điều chỉnh ra trước khi mở điện dụng cụ điện cắm tay.** Khóa hay chìa còn gắn dính vào bộ phận quay của dụng cụ điện cắm tay có thể gây thương tích cho bản thân.
- ▶ **Không rướn người.** Luôn luôn giữ tư thế đứng thích hợp và thẳng băng. Điều này tạo cho việc điều khiển dụng cụ điện cắm tay tốt hơn trong mọi tình huống bất ngờ.
- ▶ **Trang phục thích hợp.** Không mặc quần áo rộng lủng thụng hay mang trang sức. Giữ tóc, quần áo và găng tay xa khỏi các bộ phận chuyển động. Quần áo rộng lủng thụng, đồ trang sức hay tóc dài có thể bị cuốn vào các bộ phận chuyển động.
- ▶ **Nếu có các thiết bị đi kèm để nối máy hút bụi và các phụ kiện khác, bảo đảm các thiết bị này được nối và sử dụng tốt.** Việc sử dụng

các thiết bị gom hút bụi có thể làm giảm các độc hại liên quan đến bụi gây ra.

#### Sử dụng và bảo dưỡng dụng cụ điện cầm tay

- ▶ **Không được ép máy. Sử dụng dụng cụ điện cầm tay đúng loại theo đúng ứng dụng của bạn.** Dụng cụ điện cầm tay đúng chức năng sẽ làm việc tốt và an toàn hơn theo đúng tiến độ mà máy được thiết kế.
- ▶ **Không sử dụng dụng cụ điện cầm tay nếu như công tắc không tắt và mở được.** Bất kỳ dụng cụ điện cầm tay nào mà không thể điều khiển được bằng công tắc là nguy hiểm và phải được sửa chữa.
- ▶ **Rút phích cắm ra khỏi nguồn điện và/hay pin ra khỏi dụng cụ điện cầm tay trước khi tiến hành bất kỳ điều chỉnh nào, thay phụ kiện, hay cất dụng cụ điện cầm tay.** Các biện pháp ngăn ngừa như vậy làm giảm nguy cơ dụng cụ điện cầm tay khởi động bất ngờ.
- ▶ **Cất giữ dụng cụ điện cầm tay không dùng tới nơi trẻ em không lấy được và không cho người chưa từng biết dụng cụ điện cầm tay hay các hướng dẫn này sử dụng dụng cụ điện cầm tay.** Dụng cụ điện cầm tay nguy hiểm khi ở trong tay người chưa được chỉ cách sử dụng.
- ▶ **Bảo quản dụng cụ điện cầm tay.** Kiểm tra xem các bộ phận chuyển động có bị sai lệch hay kẹt, các bộ phận bị rạn nứt và các tình trạng khác có thể ảnh hưởng đến sự vận hành của máy. Nếu bị hư hỏng, phải sửa chữa máy trước khi sử dụng. Nhiều tai nạn xảy ra do bảo quản dụng cụ điện cầm tay tồi.
- ▶ **Giữ các dụng cụ cất bên và sạch.** Bảo quản đúng cách các dụng cụ cất có cạnh cắt bén làm giảm khả năng bị kẹt và dễ điều khiển hơn.
- ▶ **Sử dụng dụng cụ điện cầm tay, phụ kiện, đầu cài v. v., đúng theo các chỉ dẫn này, hãy lưu ý đến điều kiện làm việc và công việc phải thực hiện.** Sự sử dụng dụng cụ điện cầm tay khác với mục đích thiết kế có thể tạo nên tình huống nguy hiểm.

#### Bảo dưỡng

- ▶ **Đưa dụng cụ điện cầm tay của bạn đến thợ chuyên môn để bảo dưỡng, chỉ sử dụng phụ tùng đúng chủng loại để thay.** Điều này sẽ đảm bảo sự an toàn của máy được giữ nguyên.

#### Cảnh báo An toàn Búa

- ▶ **Đeo bảo vệ tai.** Tiếp xúc với tiếng ồn có thể làm mất khả năng nghe.
- ▶ **Sử dụng (các) tay cầm phụ, nếu được cung cấp kèm theo dụng cụ.** Mất điều khiển có thể gây ra thương tích cho người.
- ▶ **Chỉ cầm dụng cụ điện tại các bề mặt cầm nắm có cách điện, khi thực hiện một thao tác**

**tại vị trí mà phụ kiện cắt hoặc dụng cụ kẹp có thể tiếp xúc với dây điện ngầm hoặc dây điện của thiết bị.** Phụ kiện cắt hoặc dụng cụ kẹp tiếp xúc với dây có điện có thể làm cho các phần kim loại hở của dụng cụ điện cầm tay có điện và có thể gây ra điện giật cho người vận hành.

- ▶ **Dùng thiết bị dò tìm thích hợp để xác định nếu có các công trình công cộng lắp đặt ngầm trong khu vực làm việc hay liên hệ với Cty công trình công cộng địa phương để nhờ hỗ trợ.** Dụng cụ dò tìm đường dẫn điện có thể gây ra hỏa hoạn và điện giật. Làm hư hại đường dẫn khí ga có thể gây nổ. Làm thủng đường dẫn nước gây hư hỏng tài sản hay có khả năng gây ra điện giật.
- ▶ **Luôn luôn đợi cho máy hoàn toàn ngừng hẳn trước khi đặt xuống.** Dụng cụ lắp vào máy có thể bị kẹp chặt dẫn đến việc dụng cụ điện cầm tay bị mất điều khiển.
- ▶ **Kẹp chặt vật gia công.** Vật gia công được kẹp bằng một thiết bị kẹp hay bằng ê-tô thì vững chắc hơn giữ bằng tay.

## Mô Tả Sản Phẩm và Đặc Tính Kỹ Thuật



**Đọc kỹ mọi cảnh báo an toàn và mọi hướng dẫn.** Không tuân thủ mọi cảnh báo và hướng dẫn được liệt kê dưới đây có thể bị điện giật, gây cháy và / hay bị thương tật nghiêm trọng.

Xin lưu ý các hình minh họa trong phần trước của hướng dẫn vận hành.

### Sử dụng đúng cách

#### GBH 2-24 RE

Dụng cụ điện được dùng cho các công việc dùng búa để khoan bê tông, gạch và đá. Cũng tương tự phù hợp để khoan mà không cần va đập vào gỗ, kim loại, sứ và chất dẻo. Máy có bộ phận điều khiển điện tử và quay được chiều phải/trái cũng thích hợp cho việc bắt vít.

#### GBH 2-24 DRE/DFR

Dụng cụ điện được dùng cho các công việc dùng búa để khoan bê tông, gạch và đá cũng như các công việc đục nhẹ nhàng. Cũng tương tự phù hợp để khoan mà không cần va đập vào gỗ, kim loại, sứ và chất dẻo. Máy có bộ phận điều khiển điện tử và quay được chiều phải/trái cũng thích hợp cho việc bắt vít.

### Các bộ phận được minh họa

Sự đánh số các biểu trưng của sản phẩm là để tham khảo hình minh họa của máy trên trang hình ảnh.

- (1) Mâm cặp thay nhanh không chia (GBH 2-24 DFR)

- (2) Mâm cặp thay nhanh SDS-plus (**GBH 2-24 DFR**)
- (3) Phần lắp dụng cụ SDS-plus
- (4) Chụp ngăn bụi
- (5) Vòng Khóa
- (6) Vòng khóa mâm cặp thay nhanh (**GBH 2-24 DFR**)
- (7) Gạc vận chuyển đổi chiều quay
- (8) Nút khóa giữ chế độ tự-chạy của công tắc bật/tắt
- (9) Công tắc bật/tắt
- (10) Nút mở dành cho công tắc dừng xoay/dừng đập (**GBH 2-24 DRE, GBH 2-24 DFR**)
- (11) Công tắc dừng xoay/dừng đập (**GBH 2-24 DRE, GBH 2-24 DFR**)
- (12) Nút điều chỉnh cho cỡ định độ sâu
- (13) Cỡ định độ sâu
- (14) Tay nắm phụ (có bề mặt nắm cách điện)
- (15) Nút mở cho công tắc đảo "Khoan/khoan búa" (**GBH 2-24 RE**)
- (16) Công tắc đảo "Khoan/khoan búa" (**GBH 2-24 RE**)
- (17) Tay nắm (bề mặt nắm cách điện)
- (18) Bulông an toàn cho đầu cặp mũi khoan vành răng <sup>A)</sup>
- (19) Đầu cặp mũi khoan vành răng <sup>A)</sup>
- (20) Phần chuỗi tiếp hợp SDS-plus cho đầu cặp mũi khoan <sup>A)</sup>
- (21) Thiết bị tiếp hợp đầu cặp mũi khoan (**GBH 2-24 DFR**)
- (22) Khớp vòng ngoài của mâm cặp thay nhanh không chia (**GBH 2-24 DFR**)
- (23) Vòng giữ của mâm cặp thay nhanh không chia (**GBH 2-24 DFR**)
- (24) Lỗ hút phụ kiện gá lắp hút bụi <sup>A)</sup>
- (25) Vít kẹp phụ kiện gá lắp hút bụi <sup>A)</sup>
- (26) Cỡ định độ sâu phụ kiện gá lắp hút bụi <sup>A)</sup>
- (27) Ống lồng phụ kiện gá lắp hút bụi <sup>A)</sup>
- (28) Vít tai hông phụ kiện gá lắp hút bụi <sup>A)</sup>
- (29) Ống dẫn phụ kiện gá lắp hút bụi <sup>A)</sup>
- (30) Phần lắp đầu gài phổ thông với chuỗi SDS-plus
- A) Phụ tùng được trình bày hay mô tả không phải là một phần của tiêu chuẩn hàng hóa được giao kèm theo sản phẩm. Bạn có thể tham khảo tổng thể các loại phụ tùng, phụ kiện trong chương trình phụ tùng của chúng tôi.

## Thông số kỹ thuật

Khoan Búa		GBH 2-24 RE	GBH 2-24 DRE	GBH 2-24 DFR
Mã số máy		3 611 B72 0..	3 611 B72 1..	3 611 B73 0..
Điều khiển tốc độ		●	●	●
Ngừng quay		-	●	●
Quay Phải/Trái		●	●	●
Mâm cặp thay nhanh		-	-	●
Công suất vào danh định	W	790	790	790
Tần suất đập	min <sup>-1</sup>	0-4200	0-4200	0-4200
Năng lượng va đập của từng hành trình dựa theo EPTA-Procedure 05:2016	J	2,7	2,7	2,7
Tốc độ danh định	min <sup>-1</sup>	0-930	0-930	0-930
Phần lắp dụng cụ		SDS-plus	SDS-plus	SDS-plus
Đường kính cổ trục	mm	48,5	48,5	48,5
đường kính mũi khoan tối đa				
- Bê-tông	mm	24	24	24
- Công trình nề (với mũi khoan lõi)	mm	68	68	68
- Thép	mm	13	13	13
- Gỗ	mm	30	30	30
Trọng lượng theo EPTA-Procedure 01:2014	kg	2,8	2,8	2,9
Cấp độ bảo vệ		□/II	□/II	□/II

Các giá trị đã cho có hiệu lực cho điện thế danh định [U] 230 V. Đối với điện thế thấp hơn và các loại máy dành riêng cho một số quốc gia, các giá trị này có thể thay đổi.

### Thông tin về Tiếng ồn/Độ rung

Giá trị phát thải tiếng ồn được xác minh phù hợp với **EN 60745-2-6**.

Mức ồn loại A của dụng cụ điện thường là: Mức áp suất âm thanh **92,5 dB(A)**; Mức công suất âm thanh **103,5 dB(A)**. Hệ số bất định K = **3 dB**.

#### Hãy đeo thiết bị bảo vệ tai!

Tổng giá trị rung  $a_h$  (tổng vector của ba hướng) và hệ số bất định K được xác định theo **EN 60745-2-6**:

Khoan búa trên bê tông:  $a_h = 13,1 \text{ m/s}^2$ ,  $K = 1,5 \text{ m/s}^2$ ,

Đục:  $a_h = 13,9 \text{ m/s}^2$ ,  $K = 1,5 \text{ m/s}^2$ ,

Độ rung quy định trong hướng dẫn này đã được đo theo phương pháp đo tiêu chuẩn và có thể được sử dụng để so sánh các dụng cụ điện với nhau. Nó cũng thích hợp cho việc đánh giá tạm thời áp lực rung.

Độ rung này đại diện cho những ứng dụng chính của dụng cụ điện. Tuy nhiên, nếu dụng cụ điện được sử dụng cho các ứng dụng khác, với dụng cụ gài bị sai lệch hoặc được bảo dưỡng không đúng cách, có thể làm sai lệch mức độ rung. Điều này có thể làm tăng áp lực rung trong toàn bộ thời gian làm việc một cách rõ ràng.

Để đánh giá chính xác áp lực rung cần phải tính toán những lần máy chạy tắt hay bật nhưng không thực sự hoạt động. Điều này có thể làm giảm áp lực rung trong toàn bộ thời gian làm việc một cách rõ ràng.

Thiết lập các biện pháp an toàn bổ sung để bảo vệ nhân viên vận hành trước ảnh hưởng do rung, ví dụ như: Bảo trì dụng cụ điện và các phụ tùng thay thế, giữ ấm tay, thiết lập các quy trình làm việc.

## Sự lắp vào

- ▶ Trước khi tiến hành bất cứ việc gì trên máy, kéo phích cắm điện nguồn ra.

### Tay nắm phụ

Chỉ vận hành máy của bạn khi đã gắn tay nắm phụ (14).

#### Xoay tay nắm phụ (xem hình A)

Bạn có thể xoay tay nắm phụ (14) tùy ý, để có tư thế làm việc an toàn và ít mỏi.

- Xoay phần tay cầm dưới của tay nắm phụ (14) ngược chiều kim đồng hồ và xoay tay nắm phụ (14) vào vị trí mong muốn. Sau đó xoay mẫu tay cầm dưới của tay cầm phụ (14) theo chiều kim đồng hồ để siết chặt.

Hãy lưu ý rằng nẹp định vị của tay nắm phụ được đặt trong rãnh nằm trên vỏ máy đúng như chủ định.

### Điều chỉnh độ sâu lỗ khoan (xem hình B)

Nhờ chốt chặn độ sâu (13), bạn có thể xác định được độ sâu lỗ khoan X mong muốn.

- Bấm nút điều chỉnh cỡ định độ sâu (12) và điều chỉnh cỡ định độ sâu trên tay nắm phụ (14). Rãnh trên cỡ định độ sâu (13) phải hướng lên trên.
- Hãy đẩy dụng cụ gài SDS-plus vào khe cắm dụng cụ cho tới cỡ chặn (3). Nếu không, sự chuyển dịch của dụng cụ khoan SDS-plus có thể dẫn đến sự điều chỉnh sai độ sâu khoan.
- Kéo chốt chặn độ sâu ra xa sao cho khoảng cách giữa mũi khoan và đầu chốt chặn độ sâu phù hợp với độ sâu lỗ khoan mong muốn X.

### Chọn Lựa Mâm Cặp Khoan và Dụng Cụ

Để đục hay khoan búa, cần phải sử dụng loại dụng cụ SDS-plus để lắp vào mâm cặp khoan SDS-plus. Để khoan không đập trên gỗ, kim loại, sứ và nhựa cũng như để bắt vít, cần dùng các dụng cụ không SDS-plus (ví dụ khoan có trục hình trụ). Đối với các dụng cụ này, cần sử dụng loại mâm cặp khoan dùng chia hay không dùng chia.

**GBH 2-24 DFR:** Mâm cặp thay nhanh SDS-plus (2) có thể được thay nhẹ nhàng bằng mâm cặp thay nhanh không chia giao kèm (1).

### Thay đầu cặp mũi khoan vành răng (GBH 2-24 RE, GBH 2-24 DRE)

Để có thể làm việc với các dụng cụ không SDS-plus (ví dụ khoan có trục hình trụ), bạn phải lắp một đầu cặp mũi khoan phù hợp (Đầu cặp mũi khoan vành răng hoặc đầu cặp mũi khoan không chia, phụ kiện).

#### Lắp đầu cặp mũi khoan vành răng (xem hình C)

- Hãy vận vít phần chuỗi tiếp hợp SDS-plus (20) vào một đầu cặp mũi khoan vành răng (19). Hãy cố định chặt đầu cặp mũi khoan vành răng (19) bằng bulông an toàn (18). **Chú ý rằng, vít an toàn có ren trái.**

#### Lắp đầu cặp mũi khoan vành răng (xem hình C)

- Làm sạch cán chuỗi của chuỗi tiếp hợp và bôi một lớp mỏng dầu bôi trơn lên.
- Lắp mâm cặp khoan loại dùng chia với phần chuỗi tiếp hợp vào trong phần lắp dụng cụ bằng động tác xoay cho đến khi được tự động khóa lại.
- Kiểm tra hiệu quả khóa bằng cách kéo thử mâm cặp khoan loại dùng chia ra.

#### Tháo Mâm Cặp Khoan Loại Dùng Chia

- Đẩy vòng khóa (5) về phía sau và tháo đầu cặp mũi khoan vành răng (19).

## Tháo/lắp đầu cặp mũi khoan vành răng (GBH 2-24 DFR)

### Tháo đầu cặp mũi khoan vành răng (xem hình D)

- Kéo vòng khóa mâm cặp thay nhanh (6) ra phía sau, giữ chặt tại vị trí và tháo mâm cặp thay nhanh SDS-plus (2) hoặc mâm cặp thay nhanh không chia (1) hướng về phía trước.
- Sau khi tháo ra, hãy bảo vệ cho mâm cặp thay ra không bị bẩn.

### Lắp mâm cặp thay nhanh (xem hình E)

- Trước khi lắp vào, lau sạch mâm cặp thay nhanh và bôi một lớp mỏng dầu bôi trơn lên cán chuỗi.
- Cắm mâm cặp thay nhanh SDS-plus (2) hoặc mâm cặp thay nhanh không chia (1) bằng cả bàn tay. Hãy đẩy mâm cặp thay nhanh lên thiết bị tiếp hợp đầu cặp mũi khoan (21), cho đến khi bạn nghe thấy tiếng khộp vào.
- Mâm cặp thay nhanh tự động khóa lại. Kiểm tra hiệu quả khóa bằng cách kéo thử mâm cặp thay nhanh.

## Thay Dụng Cụ

Chụp bảo vệ ngăn bụi (4) giúp ngăn cản phần lớn sự xâm nhập của bụi khoan vào dụng cụ trong thời gian hoạt động. Khi lắp dụng cụ vào, hãy lưu ý rằng chụp bảo vệ ngăn bụi (4) không bị làm hư hỏng.

- **Thay chụp ngăn bụi bị hỏng ngay lập tức. Chúng tôi khuyến nghị việc thay thế này do một đại lý phục vụ hậu mãi thực hiện.**

### Thay dụng cụ gài SDS-plus (xem hình F)

Mâm cặp khoan SDS-plus cho phép thay đổi dụng cụ khoan được đơn giản và tiện lợi mà không cần tới các dụng cụ phụ trợ khác.

- **GBH 2-24 DFR:** Lắp mâm cặp thay nhanh SDS-plus (2) vào.
- Làm sạch và thoa một lớp mỏng dầu bôi trơn lên chuỗi của dụng cụ.
- Lắp dụng cụ vào bằng cách xoay vận dụng cụ vào ổ lắp dụng cụ cho đến khi tự ăn vào khớp.
- Kiểm tra xem đã cài chắc chưa bằng cách kéo thử dụng cụ ra.

Theo như yêu cầu của hệ thống, dụng cụ khoan SDS-plus có thể chuyển động tự do. Điều này tạo ra sự đảo tủa tròn khi chạy không tải ở một mức nào đó. Việc này không làm ảnh hưởng đến độ chính xác của lỗ khoan, vì mũi khoan định tâm của chính nó trong khi khoan.

### Tháo dụng cụ gài SDS-plus (xem hình G)

- Đẩy vòng khóa (5) về phía sau và tháo phụ tùng.

### Lắp dụng cụ gài không SDS-plus vào (GBH 2-24 RE, GBH 2-24 DRE)

**Hướng dẫn:** Không sử dụng các dụng cụ không SDS-plus để khoan búa hoặc đục! Khoan hay đục

có động tác búa làm hỏng dụng cụ không phải loại SDS-plus và mâm cặp của chúng.

- Lắp đầu cặp mũi khoan vành răng vào (19).
- Hãy mở đầu cặp mũi khoan vành răng (19) bằng cách vận cho đến khi có thể lắp được dụng cụ. Lắp dụng cụ vào.
- Cắm khóa chốt kẹp mũi khoan vào lỗ tương ứng của đầu cặp mũi khoan vành răng (19) và đồng thời kẹp chặt dụng cụ.
- **GBH 2-24 RE:** Gạt công tắc đảo (16) sang biểu tượng „Khoan“.
- **GBH 2-24 DRE:** Vận công tắc dừng xoay/dừng đập (11) vào vị trí „Khoan“.

### Tháo dụng cụ gài không SDS-plus vào (GBH 2-24 RE, GBH 2-24 DRE)

- Xoay bạc lót của đầu cặp mũi khoan vành răng (19) bằng khóa chốt kẹp mũi khoan ngược chiều kim đồng hồ cho đến khi dụng cụ gài có thể được tháo ra.

### Lắp dụng cụ gài không SDS-plus vào (GBH 2-24 DFR) (xem hình H)

**Hướng dẫn:** Không sử dụng các dụng cụ không SDS-plus để khoan búa hoặc đục! Khoan hay đục có động tác búa làm hỏng dụng cụ không phải loại SDS-plus và mâm cặp của chúng.

- Lắp mâm cặp thay nhanh không chia (1).
- Hãy giữ chặt vòng giữ (23) của mâm cặp thay nhanh không chia. Hãy mở phần lắp dụng cụ bằng cách xoay bạc lót trước (22) cho đến khi dụng cụ có thể được lắp. Giữ chặt vòng giữ (23) và xoay bạc lót phía trước (22) bằng lực mạnh theo hướng mũi tên, cho đến khi nghe thấy tiếng khộp.
- Kiểm tra xem đã vào chắc chưa bằng cách kéo thử dụng cụ ra.

**Hướng dẫn:** Nếu bộ gá dụng cụ đã được mở ra cho đến khi dừng lại, thì khi xoay bộ gá dụng cụ có thể nghe thấy tiếng kêu rắc và bộ gá dụng cụ không tự đóng lại.

Trong trường hợp này, hãy xoay (22) một lần ống bọc ngoài phía trước ngược hướng mũi tên. Sau đó, bộ gá dụng cụ có thể được đóng lại.

- Vận công tắc dừng xoay/dừng đập (11) vào vị trí „Khoan“.

### Tháo dụng cụ gài không SDS-plus vào (GBH 2-24 DFR) (xem hình I)

Hãy giữ chặt vòng giữ (23) của mâm cặp thay nhanh không chia. Hãy mở phần lắp dụng cụ bằng cách xoay bạc lót trước (22) theo hướng mũi tên cho đến khi dụng cụ có thể được tháo.



## Hệ thống hút bụi có phụ kiện gá lắp hút bụi (Phụ kiện)

### Hút Dầm/Bụi

Mặt bụi từ các vật liệu được sơn phủ ngoài có chứa chì trên một số loại gỗ, khoáng vật và kim loại có thể gây nguy hại đến sức khỏe con người. Đùng chạm hay hít thở các bụi này có thể làm người sử dụng hay đứng gần bị dị ứng và/hoặc gây nhiễm trùng hệ hô hấp.

Một số mặt bụi cụ thể, ví dụ như bụi gỗ sồi hay đậu, được xem là chất gây ung thư, đặc biệt là có liên quan đến các chất phụ gia dùng xử lý gỗ (chất cromat, chất bảo quản gỗ). Có thể chỉ nên để thợ chuyên môn gia công các loại vật liệu có chứa amiăng.

- Cách xa ở mức có thể được, sử dụng hệ thống hút thích hợp cho loại vật liệu.
- Tạo không khí thông thoáng nơi làm việc.
- Khuyến nghị nên mang mặt nạ phòng độc có bộ lọc cấp P2.

Tuân thủ các qui định của quốc gia bạn liên quan đến loại vật liệu gia công.

- ▶ **Tránh không để rác tích tụ tại nơi làm việc.**  
Rác có thể dễ dàng bắt lửa.

### Lắp thiết bị hút (xem hình J)

Để hút bụi, cần phải có phụ kiện gá lắp hút bụi (phụ kiện). Khi khoan, phụ kiện gá lắp hút bụi thu lại vì thế đầu của phần gá lắp luôn luôn kề sát với bề mặt lỗ khoan.

- Bấm nút điều chỉnh cỡ định độ sâu (12) và tháo cỡ định độ sâu (13). Bấm lại nút (12) và lắp phụ kiện gá lắp hút bụi từ phía trước vào tay nắm phụ (14).
- Hãy nối ống hút (Đường kính 19 mm, phụ kiện) với lỗ hút (24) của phụ kiện gá lắp hút bụi.

Máy hút bụi phải thích hợp dành cho loại vật liệu đang gia công.

Khi hút bụi khô hoặc đặc biệt gây nguy hại đến sức khỏe hoặc gây ra ung thư, hãy sử dụng máy hút bụi loại chuyên dụng.

### Điều chỉnh độ sâu lỗ khoan ở phụ kiện gá lắp hút bụi (xem hình K)

Bạn có thể cố định độ sâu lỗ khoan mong muốn X khi lắp phụ kiện gá lắp hút bụi.

- Hãy đẩy dụng cụ gài SDS-plus vào khe cắm dụng cụ cho tới cỡ chặn (3). Nếu không, sự chuyển dịch của dụng cụ khoan SDS-plus có thể dẫn đến sự điều chỉnh sai độ sâu khoan.
- Hãy nhả vít tại hồng (28) ở phụ kiện gá lắp hút bụi.
- Không mở máy dụng cụ điện lên, ấn mạnh xuống ngay vị trí khoan. Dụng cụ khoan SDS-plus phải áp mặt lên trên bề mặt.
- Hãy di chuyển ống dẫn (29) của phụ kiện gá lắp hút bụi vào giá đỡ sao cho đầu phụ kiện gá lắp

hút bụi nằm trên bề mặt cần khoan. Không đẩy ống dẫn (29) qua ống lồng (27) như mức cần thiết, để một phần lớn hết mức có thể của thước nằm trên ống lồng (27).

- Siết chặt lại vít tại hồng (28). Hãy nhả vít kẹp (25) ở cỡ định độ sâu của phụ kiện gá lắp hút bụi.
- Hãy di chuyển cỡ định độ sâu (26) trên ống lồng (27), sao cho khoảng cách đã hiển thị trong hình ảnh X tương ứng với độ sâu lỗ khoan mong muốn.
- Hãy siết chặt vít kẹp (25) tại vị trí này.

## Vận Hành

### Bắt Đầu Vận Hành

- ▶ **Hãy cẩn thận với nguồn điện! Điện thế nguồn phải đúng với điện thế đã ghi rõ trên nhãn máy. Dụng cụ điện được ghi 230 V cũng có thể được vận hành ở 220 V.**

### Điều chỉnh chế độ vận hành

#### GBH 2-24 RE

Bằng công tắc đảo „Khoan/khoan búa“ (16) hãy chọn chế độ vận hành của dụng cụ điện.

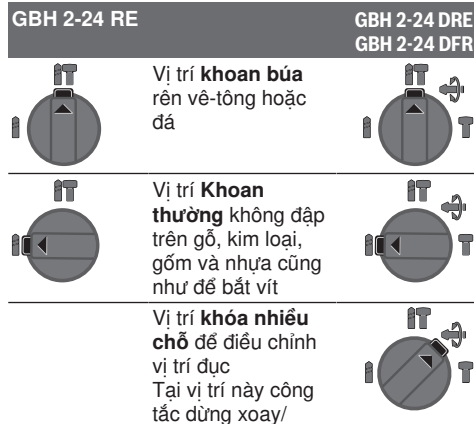
- Hãy nhấn nút mở khóa (15) để thay đổi chế độ vận hành và xoay công tắc đảo „Khoan/ khoan búa“ (16) vào vị trí mong muốn, đến khi vào khớp.

#### GBH 2-24 DRE, GBH 2-24 DFR

Bằng công tắc dừng xoay/dừng đập (11) hãy chọn chế độ vận hành của dụng cụ điện.

- Hãy nhấn nút mở khóa (10) để thay đổi chế độ vận hành và xoay công tắc dừng xoay/dừng đập (11) vào vị trí mong muốn, đến khi vào khớp.

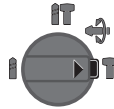
**Hướng dẫn:** Chỉ thay đổi chế độ vận hành khi dụng cụ điện tắt! Nếu không, máy có thể bị làm hỏng.





**GBH 2-24 RE****GBH 2-24 DRE  
GBH 2-24 DFR**dùng đập (11)  
không khớp.

Vị trí đục

**Đảo Chiều Quay**

- ▶ **Chỉ kích hoạt gạt vận chuyển đổi chiều quay (7) khi dụng cụ điện đã ngừng chạy.**

Với gạt vận chuyển đổi chiều quay (7) bạn có thể thay đổi hướng xoay của dụng cụ điện. Tuy nhiên, việc này không thực hiện được khi công tắc Tắt/Mở được nhấn (9).

- **↻ Xoay theo chiều kim đồng hồ:** Xoay gạt vận chuyển đổi chiều quay (7) ở hai bên vào vị trí **◀** cho đến cũ chặn.
- **↻ Xoay ngược chiều kim đồng hồ:** Xoay gạt vận chuyển đổi chiều quay (7) ở hai bên vào vị trí **▶** cho đến cũ chặn.
- Luôn luôn chỉnh đặt chiều quay để khoan búa, khoan thường và đục về chiều quay phải.

**Bật/tắt**

- Để **bật** dụng cụ điện cầm tay, bạn hãy nhấn công tắc bật/tắt (9).
- Để **khóa** công tắc bật/tắt (9), hãy bấm giữ công tắc và ấn thêm nút khóa giữ (8).
- Để **tắt** dụng cụ điện cầm tay hãy nhả công tắc bật/tắt (9). Khi công tắc bật/tắt bị khóa (9) hãy nhấn nó và sau đó nhả ra.

**Chỉnh đặt Tốc độ/Tần suất Đập**

Bạn có thể liên tục điều chỉnh tốc độ/tần suất đập của dụng cụ điện đang bật tùy theo mức độ bấm công tắc Tắt/Mở mạnh hay nhẹ (9).

Bấm nhẹ công tắc Tắt/Mở (9) sẽ cho tốc độ/tần suất đập thấp. Lực áp mạnh hơn lên công tắc làm tăng tốc độ và tần suất đập.

**Khớp Ly Hợp Chống Quá Tải**

- ▶ **Nếu dụng cụ lắp trong máy bị kẹt hay kẹt, lực truyền động đến trục khoan bị ngăn lại. Luôn giữ chặt dụng cụ điện bằng hai tay và đứng vững vì khi dụng cụ hoạt động sẽ phát sinh lực.**
- ▶ **Hãy tắt dụng cụ điện và tháo dụng cụ gài nếu dụng cụ điện bị vướng. Khi mở máy mà dụng cụ ứng dụng bị kẹt cứng, lực xoắn vận cao có thể xảy ra.**

**Hướng Dẫn Sử Dụng**

- ▶ **Trước khi tiến hành bất cứ việc gì trên máy, kéo phích cắm điện nguồn ra.**
- ▶ **Chỉ cắm dụng cụ điện tại các bề mặt cầm nắm có cách điện, khi thực hiện một thao tác**

**tại vị trí mà phụ kiện cắt hoặc dụng cụ kẹp có thể tiếp xúc với dây điện ngầm hoặc dây điện của thiết bị.** Phụ kiện cắt hoặc dụng cụ kẹp tiếp xúc với dây có điện có thể làm cho các phần kim loại hở của dụng cụ điện cầm tay có điện và có thể gây ra điện giật cho người vận hành.

**Thay Đổi Vị Trí Đục (Khóa nhiều vị trí) (GBH 2-24 DRE, GBH 2-24 DFR)**

Bạn có thể khóa mũi đục vào 36 các vị trí. Nhờ như vậy, ta có thể tạo tư thế thao tác tốt nhất cho từng ứng dụng.

- Lắp mũi đục vào trong ổ lắp dụng cụ.
- Vận công tắc dùng xoay/dùng đập (11) vào vị trí "Khóa nhiều vị trí".
- Xoay phần lắp dụng cụ về vị trí đục theo yêu cầu.
- Vận công tắc dùng xoay/dùng đập (11) vào vị trí Đục. Giá đỡ dụng cụ được khóa.
- Để đục, chỉnh đặt chiều quay về chiều quay phải.

**Lắp đầu chia vận vít (xem hình L)**

- ▶ **Chỉ đặt dụng cụ điện đã tắt lên đai ốc/vít.**

Dụng cụ đang quay có thể bị tuột ra.

Để sử dụng đầu chia vận vít bạn cần có phần lắp đầu gài phổ thông (30) với chuỗi tiếp hợp SDS-plus (Phụ kiện).

- Làm sạch cán chuỗi của chuỗi tiếp hợp và bôi một lớp mỏng dầu bôi trơn lên.
- Lắp phần lắp đầu gài phổ thông bằng động tác xoay vào trong phần lắp dụng cụ cho đến khi được tự động khóa lại.
- Kiểm tra hiệu quả khóa bằng cách kéo thử phần lắp đầu gài phổ thông ra.
- Lắp đầu gài vận vít vào trong phần lắp đầu gài phổ thông. Chỉ sử dụng đầu gài vận vít vừa với đầu vít.
- Để tháo phần lắp đầu gài phổ thông hãy đẩy vòng Khóa (5) ra phía sau và tháo phần lắp đầu gài phổ thông (30) ra khỏi phần lắp dụng cụ.

**Bảo Dưỡng và Bảo Quản****Bảo Dưỡng Và Làm Sạch**

- ▶ **Trước khi tiến hành bất cứ việc gì trên máy, kéo phích cắm điện nguồn ra.**
- ▶ **Để được an toàn và máy hoạt động đúng chức năng, luôn luôn giữ máy và các khe thông gió được sạch.**
- ▶ **Thay chụp ngăn bụi bị hỏng ngay lập tức. Chúng tôi khuyến nghị việc thay thế này do một đại lý phục vụ hậu mãi thực hiện.**
  - Hãy làm sạch phần lắp dụng cụ (3) sau khi dùng. Nếu như cần phải thay dây dẫn điện thì công việc này phải do hãng **Bosch**, hay một đại lý được

**Bosch** ủy nhiệm thực hiện để tránh gặp sự nguy hiểm do mất an toàn.

### **Dịch vụ hỗ trợ khách hàng và tư vấn sử dụng**

Bộ phận phục vụ hàng sau khi bán của chúng tôi trả lời các câu hỏi liên quan đến việc bảo dưỡng và sửa chữa các sản phẩm cũng như phụ tùng thay thế của bạn. Sơ đồ mô tả và thông tin về phụ tùng thay thế cũng có thể tra cứu theo dưới đây:

**www.bosch-pt.com**

Đội ngũ tư vấn sử dụng của Bosch sẽ giúp bạn giải đáp các thắc mắc về sản phẩm và phụ kiện.

**www.powertool-portal.de**, cổng thông tin điện tử cho thợ thủ công và người làm việc vất.

Trong tất cả các phản hồi và đơn đặt phụ tùng, xin vui lòng luôn luôn nhập số hàng hóa 10 chữ số theo nhãn của hàng hóa.

#### **Việt Nam**

CN CÔNG TY TNHH BOSCH VIỆT NAM TẠI TP.HCM

Tầng 14, Ngôi Nhà Đức, 33 Lê Duẩn  
Phường Bến Nghé, Quận 1, Thành Phố Hồ Chí Minh

Tel.: (028) 6258 3690

Fax: (028) 6258 3692 - 6258 3694

Hotline: (028) 6250 8555

Email: [tuvankhachhang-pt@vn.bosch.com](mailto:tuvankhachhang-pt@vn.bosch.com)

[www.bosch-pt.com.vn](http://www.bosch-pt.com.vn)

[www.baohanhbosch-pt.com.vn](http://www.baohanhbosch-pt.com.vn)

#### **Campuchia**

Công ty TNHH Robert Bosch (Campuchia)

Đơn nguyên 8BC, GT Tower, Tầng 08,  
Đường 169, Tiệp Khắc Blvd, Sangkat Veal Vong,  
Khan 7 Makara, Phnom Penh

VAT TIN: 100 169 511

Tel.: +855 23 900 685

Tel.: +855 23 900 660

[www.bosch.com.kh](http://www.bosch.com.kh)

### **Sự thải bỏ**

Máy, linh kiện và bao bì phải được phân loại để tái chế theo hướng thân thiện với môi trường.



Không được thải bỏ dụng cụ điện vào chung với rác sinh hoạt!

### **Chỉ dành cho các quốc gia thuộc khối Liên minh Châu Âu (EU):**

Theo chỉ thị Châu Âu 2012/19/EU về thiết bị điện, thiết bị điện tử cũ và việc sử dụng theo luật quốc gia, các dụng cụ điện cầm tay không còn giá trị sử dụng phải được thu gom riêng và tái chế theo luật môi trường.

## عربي

## إرشادات الأمان

## تحذيرات أمان عامة للعدد الكهربائية

## تحذير اقرأ جميع تحذيرات الأمان والتعليمات. عدم مراعاة

تحذيرات الأمان وعدم اتباع التعليمات قد يؤدي إلى الصدمات الكهربائية و/أو نشوب حرائق و/أو الإصابة بجروح خطيرة.

## احتفظ بجميع تحذيرات الأمان والتعليمات للرجوع إليها فيما بعد.

يقصد بمصطلح «العدد الكهربائية» المستخدم في تحذيرات الأمان، العدد الكهربائية الموصلة بالشبكة الكهربائية (بواسطة كابل الشبكة الكهربائية) وأيضا العدد الكهربائية المشغلة بمركم (دون كابل الشبكة الكهربائية).

## الأمان بمكان العمل

احرص على أن يكون مكان العمل نظيفا ومضاء بشكل جيد. الفوضى في مكان العمل ونطاقات العمل غير المضاءة قد تؤدي إلى وقوع الحوادث.

لا تشغل العدد الكهربائية في أجواء معرضة لخطر الانفجار، مثل الأماكن التي تتوفر فيها السوائل أو الغازات أو الأغبرة القابلة للاشتعال. العدد الكهربائية تولد شرراً قد يتسبب في إشعال الأغبرة والأبخرة.

احرص على بقاء الأطفال وغيرهم من الأشخاص بعيدا عند تشغيل العدد الكهربائية. تشتت الانتباه قد يتسبب في فقدان السيطرة على الجهاز.

## الأمان الكهربائي

يجب أن تكون قوابس العدد الكهربائية متلائمة مع المقابس. لا يجوز تعديل القابس بأي صورة من الصور. لا تستعمل القوابس المهيأة مع العدد الكهربائية المؤرضة (ذات طرف أرضي). تقلل القوابس التي لم يتم تعديلها والمقابس الملائمة من خطر الصدمات الكهربائية.

تجنب ملامسة جسمك للأسطح المؤرضة كالأنابيب والمبردات والمواقد أو التلجبات. يزداد خطر الصدمات الكهربائية عندما يكون جسمك مؤرض أو موصل بالأرضي.

أبعد العدد الكهربائية عن الأمطار أو الرطوبة. يزداد خطر الصدمات الكهربائية إن تسرب الماء إلى داخل العدد الكهربائية.

لا تسئ استعمال الكابل. لا تستخدم الكابل في حمل العدد الكهربائية أو سحبها أو سحب القابس من المقبس. احرص على إبعاد الكابل عن الحرارة والزيت والحواف الحادة أو الأجزاء المتحركة. تزيد الكابلات التالفة أو المتشابكة من خطر الصدمات الكهربائية.

عند استخدام العدد الكهربائية خارج المنزل اقتصر على استخدام كابلات التمديد الصالحة للاستعمال في الأماكن المكشوفة. يقلل

استعمال كابل تمديد مخصص للاستعمال في الأماكن المكشوفة من خطر الصدمات الكهربائية.

إن لم يكن بالإمكان تجنب تشغيل العدد الكهربائية في الأجواء الرطبة، فاستخدم مفتاح للوقاية من التيار المتخلف. إن استخدام مفتاح للوقاية من التيار المتخلف يقلل خطر الصدمات الكهربائية.

## أمان الأشخاص

كن يقظا وانتبه إلى ما تفعله واستخدم العدد الكهربائية بتعقل. لا تستخدم عدة كهربائية عندما تكون متعبا أو عندما تكون تحت تأثير المخدرات أو الكحول أو الأدوية. عدم الانتباه للحظة واحدة عند استخدام العدد الكهربائية قد يؤدي إلى إصابات خطيرة.

قم بارتداء تجهيزات الحماية الشخصية. وارتد دائما نظارات واقية. إن ارتداء تجهيزات الحماية الشخصية، كقناع الوقاية من الغبار وأحذية الأمان الواقية من الانزلاق والوذو أو واقية الأذنين، حسب ظروف استعمال العدد الكهربائية، يقلل من خطر الإصابة بجروح.

تجنب التشغيل بشكل غير مقصود. تأكد من كون العدد الكهربائية مطفاة قبل توصيلها بالتيار الكهربائي و/أو بالمركم، وقبل رفعها أو حملها. إن كنت تضع إصبعك على المفتاح أثناء حمل العدد الكهربائية أو إن وصلت الجهاز بالشبكة الكهربائية بينما المفتاح على وضع التشغيل، فقد يؤدي هذا إلى وقوع الحوادث.

انزع أي أداة ضبط أو مفتاح ربط قبل تشغيل العدد الكهربائية. قد يؤدي ترك أداة أو مفتاح في جزء دوار من الجهاز إلى الإصابة بجروح.

تجنب أوضاع الجسم غير الطبيعية. قف بأمان وحافظ على توازنك دائما. سيسمح لك ذلك بالتمكك في الجهاز بشكل أفضل في المواقف غير المتوقعة.

قم بارتداء ثياب مناسبة. لا ترتد الثياب الفضفاضة أو الحللي المتدلية. حافظ على إبقاء الشعر والثياب والقفازات على بعد عن أجزاء الجهاز المتحركة. قد تتشابك الثياب الفضفاضة والحلى والشعر الطويل بالأجزاء المتحركة.

في حالة التزود بتجهيزات شفط وتجميع الغبار، فتأكد من أنها موصلة ومستخدمة بشكل سليم. قد يقلل استخدام تجهيزات شفط الغبار من المخاطر الناتجة عن الغبار.

## استخدام العدد الكهربائية والعناية بها

لا تفرط في تحميل الجهاز. استخدم لتنفيذ أشغالك العدد الكهربائية المخصصة لذلك. استخدام العدد الكهربائية الصحيحة سنجز العمل بصورة أفضل وأكثر أمانا بالمعدل الذي صممت من أجله.

لا تستخدم العدد الكهربائية إن كان مفتاح تشغيلها معطل. العدد الكهربائية التي لم يعد من الممكن التمكن بها عن طريق مفتاح التشغيل والإطفاء تعتبر خطيرة ويجب أن يتم إصلاحها.

افصل القابس من المقبس و/أو انزع المركم من العدد الكهربائية قبل إجراء أي أعمال الضبط على الجهاز وقبل استبدال التوابع أو قبل تخزين العدد الكهربائية. تقلل هذه

◀ **احرص على تأمين قطعة الشغل.** قطعة الشغل المثبتة بواسطة تجهيزه شد أو بواسطة الملزمة مثبتة بأمان أكبر مما لو تم الإمساك بها بواسطة يدك.

## وصف المنتج والأداء

### اقرأ جميع إرشادات الأمان

والتعليمات. ارتكاب الأخطاء عند تطبيق إرشادات الأمان والتعليمات، قد يؤدي إلى حدوث صدمات كهربائية أو إلى نشوب الحرائق و/أو الإصابة بجروح خطيرة.



يرجى الرجوع إلى الصور الموجودة في الجزء الأول من دليل التشغيل.

### الاستعمال المطابق للتعليمات

#### GBH 2-24 RE

المعدة الكهربائية مخصصة للثقب المرفق بالطرق في الخرسانة والطوب والحجر. كما أنها صالحة للثقب بلا دق في الخشب والمعادن والخزف والبلاستيك. وتصلح المعدة الكهربائية المزودة بالتحكم الإلكتروني والدوران اليميني/اليساري لربط اللوالب أيضا.

#### GBH 2-24 DRE/DFR

المعدة الكهربائية مخصصة للثقيب المرفق بالطرق في الخرسانة والطوب والحجر وأيضا لإجراء أعمال النحت الخفيفة. كما أنها صالحة للثقب بلا دق في الخشب والمعادن والخزف والبلاستيك. وتصلح المعدة الكهربائية المزودة بالتحكم الإلكتروني والدوران اليميني/اليساري لربط اللوالب أيضا.

### الأجزاء المصورة

- يشير ترقيم الأجزاء المصورة إلى رسوم العدة الكهربائية الموجودة في صفحة الرسوم التخطيطية.
- (1) ظرف المثقاب البديل سريع الشد (GBH 2-24) (DFR)
  - (2) ظرف المثقاب البديل (GBH 2-24SDS-plus) (DFR)
  - (3) حاضن العدة SDS-plus
  - (4) غطاء الوقاية من الغبار
  - (5) جلبة إقفال
  - (6) حلقة إقفال ظرف المثقاب البديل (GBH 2-24 DFR)
  - (7) مفتاح تحويل اتجاه الدوران
  - (8) زر تثبيت مفتاح التشغيل والإطفاء
  - (9) مفتاح التشغيل والإطفاء
  - (10) زر تحرير مفتاح إيقاف الدق/الدوران (GBH 2-24 DRE, 2-24 DFR)
  - (11) مفتاح إيقاف الدق/الدوران (GBH 2-24) (DFR, DRE)
  - (12) زر ضبط محدد العمق
  - (13) محدد العمق
  - (14) مقبض إضافي (سطح قبض معزول)
  - (15) زر فك إقفال مفتاح تحويل «الثقب/الثقب الطرقي» (GBH 2-24 RE)

الإجراءات وقائية من خطر تشغيل العدة الكهربائية بشكل غير مقصود.

◀ **احتفظ بالعدد الكهربائية التي لا يتم استخدامها بعيدا عن متناول الأطفال.** لا تسمح باستخدام العدة الكهربائية لمن لا خبرة له بها أو لمن لم يقرأ تلك التعليمات. العدد الكهربائية خطيرة إن تم استخدامها من قبل أشخاص دون خبرة.

◀ **احرص على صيانة العدد الكهربائية.** تأكد أن أجزاء الجهاز المتحركة مركبة بشكل سليم وغير مستعصبة الحركة، وتفحص ما إن كانت هناك أجزاء مكسورة أو في حالة تؤثر على سلامة أداء العدة الكهربائية. ينبغي إصلاح هذه الأجزاء التالفة قبل إعادة تشغيل الجهاز. الكثير من الحوادث مصدرها العدد الكهربائية التي تتم صيانتها بشكل رديء.

◀ **احرص على إبقاء عدد القطع نظيفة وحادة.** إن عدد القطع ذات حواف القطع المادة التي تم صيانتها بعناية تتكلم بشكل أقل ويمكن توجيهها بشكل أسير.

◀ **استخدم العدد الكهربائية والتوابع وريش الشغل إلخ.** وفقا لهذه التعليمات. تراعى أثناء ذلك ظروف الشغل والعمل المراد تنفيذه. استخدام العدد الكهربائية لغير الأعمال المخصصة لأجلها قد يؤدي إلى حدوث الحالات الخطيرة.

### الخدمة

◀ **احرص على إصلاح عدتك الكهربائية فقط بواسطة الفنيين المتخصصين وباستعمال قطع الغيار الأصلية فقط.** يضمن ذلك المحافظة على أمان الجهاز.

### تحذيرات الأمان المتعلقة بالمطرقة

- ◀ **احرص على ارتداء واقيات للأذنين.** التعرض للضوضاء قد يتسبب في فقدان السمع.
- ◀ **استخدم المقبض (المقابض) الإضافية إذا كانت العدة مزودة بها.** فقدان السيطرة على المعدة قد يتسبب في حدوث إصابات.
- ◀ **أمسك العدة الكهربائية من أسطح المسك المعزولة عند القيام بأعمال قد يترتب عليها ملامسة ملحق القطع أو أداة الربط لإسلاك كهربائية غير ظاهرة أو للسلك الخاص بالعدة نفسها.** ملامسة ملحق القطع وأدوات الربط لسلك «مكهرب» قد يتسبب في مرور التيار في الأجزاء المعدنية من العدة وجعلها مكهربة مما قد يصيب المشغل بصدمة كهربائية.
- ◀ **استخدم أجهزة تنقيب ملائمة للعثور على خطوط الامداد غير الظاهرة، أو استعن بشركة الامداد المحلية.** ملامسة الفطوط الكهربائية قد تؤدي إلى اندلاع النار وإلى الصدمات الكهربائية. حدوث أضرار بخطر الغاز قد يؤدي إلى حدوث انفجارات. اختراق خط الماء بشكل الأضرار المادية أو قد يؤدي إلى الصدمات الكهربائية.
- ◀ **انتظر إلى أن تتوقف العدة الكهربائية عن الحركة قبل أن تضعها جانبا.** قد تتكلم عدة الشغل فتؤدي إلى فقدان السيطرة على العدة الكهربائية.

- (16) مفتاح التحويل «الثقب/الثقب الطرقي» (GBH 2-24 RE)  
 (17) مقبض (مقبض مسك معزول)  
 (18) لولب تأمين طرف المثقاب المسنن الطوق<sup>(A)</sup>  
 (19) طرف المثقاب المسنن الطوق<sup>(A)</sup>  
 (20) ساق حوضن SDS-plus لطرف ريش الثقب<sup>(A)</sup>  
 (21) حاضن طرف المثقاب (GBH 2-24 DFR)  
 (22) الجلبة الأمامية لطرف المثقاب البديل سريع الشد (GBH 2-24 DFR)  
 (23) حلقة تثبيت طرف المثقاب البديل سريع الشد (GBH 2-24 DFR)
- (24) فتحة الشفط بالشافط السريع<sup>(A)</sup>  
 (25) لولب القمط بالشافط السريع<sup>(A)</sup>  
 (26) محدد العمق بالشافط السريع<sup>(A)</sup>  
 (27) أنبوب متداخل بالشافط السريع<sup>(A)</sup>  
 (28) لولب مجنح بالشافط السريع<sup>(A)</sup>  
 (29) انبوب التوجيه بالشافط السريع<sup>(A)</sup>  
 (30) حامل عام بساق حوضن SDS-plus
- (A) لا يتضمن إطار التوريد الاعتيادي التوابع المصورة أو المشروحة. تجد التوابع الكاملة في برنامجنا للتوابع.

### البيانات الفنية

مطرقة تشقيب	GBH 2-24 DFR	GBH 2-24 DRE	GBH 2-24 RE	رقم الصنف
	3 611 B73 0..	3 611 B72 1..	3 611 B72 0..	
التحكم بعدد الدوران	●	●	●	
إيقاف الدوران	●	●	-	
دوران يميني/يساري	●	●	●	
طرف المثقاب البديل	●	-	-	
قدرة الدخل الاسمية	790	790	790	واط
عدد الطرقات	4200-0	4200-0	4200-0	دقيقة <sup>-1</sup>
قوة الطرقة المفردة حسب EPTA-Procedure 05:2016	2,7	2,7	2,7	جول
عدد اللفات الاسمي	930-0	930-0	930-0	دقيقة <sup>-1</sup>
حاضن العدة	SDS-plus	SDS-plus	SDS-plus	
قطر عنق محور الدوران	48,5	48,5	48,5	مم
أقصى قطر ثقب				
- الخرسانة	24	24	24	مم
- الجدران (طربوش ثقب مجوف)	68	68	68	مم
- فولاذ	13	13	13	مم
- خشب	30	30	30	مم
الوزن حسب EPTA-Procedure 01:2014	2,9	2,8	2,8	كجم
فئة الحماية	II/□	II/□	II/□	

تسرى البيانات على جهد اسمي [U] يبلغ 230 فلت. قد تختلف تلك البيانات حسب اختلاف الجهد والطرقات الخاصة بكل دولة.

**GBH 2-24 DFR**: يمكن استبدال ظرف المثقاب  
البديل (2SDS-plus) بسهولة بظرف المثقاب البديل  
سريع الشد (1).

### تغيير ظرف المثقاب المسنن الطوق (GBH 2-24 DRE، GBH 2-24 RE)

لكي تتمكن من استخدام العدد دون SDS-plus  
(مثلاً، لقم تثقيب بساق أسطوانية)، يجب عليك تركيب  
ظرف مثقاب مناسب (ظرف المثقاب المسنن الطوق  
أو ظرف ريش الثقب سريع الربط).

#### تركيب ظرف المثقاب المسنن الطوق (انظر الصورة C)

- قم بربط ساق حوض (20SDS-plus) في ظرف  
المثقاب المسنن الطوق (19). قم بتأمين ظرف  
المثقاب المسنن الطوق (19) باستخدام لولب  
التأمين (18). لاحظ أن لولب التأمين لديه  
قلاووظ أيسر.

#### تركيب ظرف المثقاب المسنن الطوق (انظر الصورة C)

- نظف طرف إدخال ساق الحوض وشحمه قليلاً.
- لقم ظرف المثقاب المسنن الطوق مع ساق  
الحوض في حاضن العدة مع فتله إلى أن يتم  
إقفاله من تلقاء نفسه.
- افحص ثبات الإقفال من خلال سحب ظرف المثقاب  
المسنن الطوق.

#### خلع ظرف المثقاب المسنن الطوق

- ادفع لييسة الإقفال (5) إلى الخلف واخلع ظرف  
المثقاب المسنن الطوق (19).

#### خلع/تركيب ظرف المثقاب البديل (GBH 2-24 DFR)

##### خلع ظرف المثقاب البديل (انظر الصورة D)

- اسحب حلقة إقفال ظرف المثقاب البديل (6) إلى  
الخلف، وأمسك بها في هذا الوضع واخلع ظرف  
المثقاب البديل (2SDS-plus) أو ظرف المثقاب  
البديل السريع الشد (1) بسحبه إلى الأمام.
- تراعى حماية ظرف المثقاب البديل من الاتساخ بعد  
نزعه.

##### تركيب ظرف المثقاب البديل (انظر الصورة E)

- نظف ظرف المثقاب البديل قبل تركيبه وشحم  
طرف الإدخال قليلاً.
- اقبض على ظرف المثقاب البديل SDS-plus (2)  
أو على طرف المثقاب البديل السريع الشد (1)  
بتطويقه بكامل اليد. ادفع ظرف المثقاب البديل  
على حاضن ظرف المثقاب (21)، أثناء إدارته، إلى  
أن تسمع صوت التعاشق بوضوح.
- يقفل ظرف المثقاب البديل من تلقاء نفسه.
- تفحص ثبات الإقفال من خلال سحب ظرف المثقاب  
البديل.

#### استبدال العدد

يعمل غطاء الوقاية من الغبار (4) على منع دخول  
غبار الثقب إلى حاضن العدة أثناء الاستخدام. احرص  
أثناء استخدام العدة الكهربائية على عدم حدوث  
أضرار بغطاء الوقاية من الغبار (4).

## التركيب

◀ اسحب القابس من مقبس الشبكة الكهربائية  
قبل إجراء أي عمل على العدة الكهربائية.

### مقبض إضافي

استخدم العدة الكهربائية فقط مع المقبض  
الإضافي (14).

#### تحريك المقبض الإضافي (انظر الصورة A)

- يمكنك تحريك المقبض الإضافي (14) كما تريد  
للوصول إلى وضع عمل آمن ومريح.
- أدر قطعة المقبض السفلية بالمقبض الإضافي  
(14) عكس اتجاه عقارب الساعة وحرك المقبض  
الإضافي (14) إلى الوضع المرغوب. أدر قطعة  
المقبض السفلية بالمقبض الإضافي (14) بعد ذلك  
في اتجاه حركة عقارب الساعة بإحكام.
- انتبه إلى دخول سير شد المقبض الإضافي في الحز  
المخصص له بالهيكل.

#### ضبط عمق الثقب (انظر الصورة B)

- باستخدام محدد العمق (13) يمكن تحديد عمق  
الثقب المرغوب X.
- اضغط على الزر الخاص بضبط محدد العمق (12)  
وقم بتركيب محدد العمق في المقبض الإضافي  
(14).
- يجب أن تشير الحوز على محدد العمق (13) إلى  
الأسفل.
- حرك عدة الشغل SDS-plus حتى النهاية في حاضن  
العدة (3SDS-plus). قد تؤدي سهولة حركة عدة  
الشغل SDS-plus إلى ضبط خطأ لعمق الثقب.
- أخرج محدد العمق بحيث تكون المسافة بين رأس  
ريشة الثقب وطرف محدد العمق مطابقة للعمق  
المرغوب X.

#### اختيار ظرف ريش الثقب والعدد

لأعمال التثقيب المرفق بالطرق والنمت تحتاج إلى  
عدد SDS-plus التي يتم تركيب ظرف ريش الثقب  
فيها SDS-plus.

من أجل الثقب دون دق في الخشب والمعادن  
والخزف واللدائن وأيضاً لربط اللوالب استخدم العدد  
دون SDS-plus (مثلاً، لقم تثقيب بساق أسطوانية).  
إنك بحاجة إلى ظرف ريش الثقب السريع الشد أو  
لظرف المثقاب المسنن الطوق من أجل هذه العدد.



بتركيب العدة. أمسك بملققة القبض (23) بإحكام وأدر الجلبة الأمامية (22) بقوة باتجاه السهم، إلى أن تسمع صوت القابض الكلابي بوضوح.

- تفحص إحكام الثبات من خلال سحب العدة.

**ملحوظة:** إن تم فتح حاضن العدة حتى النهاية، فقد تسمع صوت تعاشق القابض الكلابي أثناء تدوير حاضن العدة لإغلاقه ولن يخلق حاضن العدة.

في هذه الحالة أدر الجلبة الأمامية (22) مرة واحدة بعكس اتجاه السهم. يمكن إغلاق حاضن العدة بعد ذلك.

- أدر مفتاح إيقاف الدق/إيقاف الدوران (11) إلى وضع «الثقب».

**استخدام عدد الشغل غير المزودة بخاصية SDS- (GBH 2-24 DFRplus ( انظر الصورة 1)**

أمسك بملققة قبض (23) ظرف المثقاب البديل سريع الشد بإحكام. افتح حاضن العدة من خلال إدارة الجلبة الأمامية (22) باتجاه السهم، إلى الحد الذي يسمح بخلع العدة.

**شفط الغبار بالشفاط السريع (توابع)**

**شفط الغبار/النشارة**

إن غبار بعض المواد كالطلاء الذي يحتوي على الرصاص، وبعض أنواع الخشب والفلات والمعادن، قد تكون مضرّة بالصحة. إن ملامسة أو استنشاق غبار قد يؤدي إلى أعراض حساسية و/أو إلى أمراض الجهاز التنفسي لدى المستخدم أو لدى الأشخاص المتواجدين على مقربة من المكان.

تعتبر بعض الأغبرة المعينة، كأغبرة البلوط والزان، مسببة للسرطان، ولا سيما عند الارتباط بالمواد الإضافية لمعالجة الخشب (ملح جامض الكروميك، المواد الحافظة للخشب). يجوز أن يتم معالجة المواد التي تحتوي على الأسبستوس من قبل العمال المتخصصين فقط دون غيرهم.

- استخدم شافطة غبار ملائمة للمادة قدر الإمكان.

- حافظ على تهوية مكان الشغل بشكل جيد.

- ينصح بارتداء قناع وقاية للتنفس بفتحة المرشح P2.

تراعى الأحكام السارية في بلدكم بالنسبة للمواد المرغوب معالجتها.

◀ **تجنب تراكم الغبار بمكان العمل.** يجوز أن تستغل الأغبرة بسهولة.

**تركيب تجهيز الشفط (انظر الصورة J)**

يتطلب شفط الغبار للشفاط السريع (من التوابع). يرتد الشفاط السريع أثناء التنقيب بحيث يحافظ على إبقاء رأس الشفاط السريع دائماً على مقربة من السطح.

- اضغط على الزر الخاص بضبط محدد العمق (12) وقم بخلع محدد العمق (13). اضغط على الزر (12) مجدداً وأدخل الشفاط السريع في المقبض الإضافي (14).

- قم بتوصيل خرطوم الشفط (قطر 19 مم، توابع) بفتحة شفط (24) الشفاط السريع.

يجب أن تصلع شافطة الغبار الخوائية للاستعمال مع مادة الشغل المرغوب معالجتها.

استخدم شافطة غبار خوائية خاصة عند شفط الأغبرة المضرّة بالصحة أو المسببة للسرطان أو الشديدة الجفاف.

◀ **يجب تغيير غطاء الوقاية من الغبار التالف على الفور.** وينصح أن يتة ذلك من قبل مركز خدمة العملاء.

**تركيب عدة الشغل SDS-plus (انظر الصورة F)**

مع ظرف ريش الثقب SDS-plus يمكنك تغيير عدة الشغل بكل سهولة وراحة دون استخدام عدد إضافية.

- **GBH 2-24 DFR**: قم بتركيب ظرف المثقاب البديل SDS-plus (2).

- نظف طرف الإدخال بعدة الشغل وشحمه قليلاً.

- قم بتركيب عدة الشغل في حاضن العدة أثناء إدارتها إلى أن تعاشق من تلقاء نفسها.

- اقمص ثبات الإقفال من خلال جذب العدة.

تكون عدة الشغل SDS-plus حرة الحركة وفقاً لتصميم النظام. مما يؤدي إلى انحراف دوراني عند التشغيل بلا حمل. لا يؤثر ذلك على دقة الثقب، لأن لقمة الثقب ترتكز من تلقاء نفسها أثناء الثقب.

**فك عدة الشغل SDS-plus (انظر الصورة G)**

- ادفع لبيسة الإقفال (5) إلى الخلف وانزع عدة الشغل.

**استخدام عدد الشغل غير المزودة بخاصية SDS- (GBH 2-24 DRE، GBH 2-24 REplus (**

**ملحوظة:** لا تستخدم عدد الشغل دون خاصية SDS-plus في أعمال التنقيب المرفق بالطرق أو النحت! ستتعرض كل من العدد دون خاصية SDS-plus وظرف ريش الثقب الخاص بها لأضرار أثناء الثقب المرفق بالطرق أو النحت.

- قم بتركيب ظرف المثقاب المسنن الطوق (19).

- افتح ظرف المثقاب المسنن الطوق (19) من خلال إدارته إلى أن تتمكن من تسليم العدة. قم بتركيب العدة.

- ثبت مفتاح ظرف ريش الثقب في الفجوات

المخصصة بظرف المثقاب المسنن الطوق (19) وأحكام شد العدة بشكل متوازن.

- **GBH 2-24 RE**: اضبط مفتاح التحويل (16) على الرمز «ثقب».

- **GBH 2-24 DRE**: أدر مفتاح إيقاف الدق/إيقاف الدوران (11) إلى وضع «الثقب».

**اخلع عدد الشغل غير المزودة بخاصية SDS-plus (GBH 2-24 DRE، GBH 2-24 RE)**

- أدر جلبة ظرف المثقاب المسنن الطوق (19) من خلال تمرير مفتاح ظرف ريش الثقب عكس اتجاه عقارب الساعة حتى تتمكن من فك عدة الشغل.

**استخدام عدد الشغل غير المزودة بخاصية SDS- (GBH 2-24 DFRplus ( انظر الصورة H)**

**ملحوظة:** لا تستخدم عدد الشغل دون SDS-plus في أعمال التنقيب المرفق بالطرق أو النحت! ستتعرض كل من العدد دون خاصية SDS-plus وظرف ريش الثقب الخاص بها لأضرار أثناء الثقب المرفق بالطرق أو النحت.

- قم بتركيب ظرف المثقاب البديل السريع الشد (1).

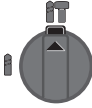
- أمسك بملققة قبض (23) ظرف المثقاب البديل السريع الشد بإحكام. افتح حاضن العدة من خلال إدارة الجلبة الأمامية (22) إلى الحد الذي يسمح

GBH 2-24 DRE  
GBH 2-24 DFR

GBH 2-24 RE



وضع الثقب  
المرفق بالطرق  
في الخرسانة والحجر



وضع الثقب دون  
دق في الخشب  
والمعادن والخزف  
واللدائن وأيضاً لربط  
الوالب



وضع القفل  
المتغير Vario-lock  
لضبط وضع النحت  
في هذا الوضع لا  
يتعاشق مفتاح  
إيقاف الدق/إيقاف  
الدوران (11).



وضع النحت

### ضبط اتجاه الدوران

◀ لا تضغط على مفتاح تحويل اتجاه الدوران (7) إلا والعدة الكهربائية متوقفة.

يمكنك أن تغير اتجاه دوران العدة الكهربائية (7) بواسطة مفتاح تغيير اتجاه الدوران. إلا أنه لا يمكن تغييره عندما يكون مفتاح التشغيل والإطفاء (9) مضغوطاً.

⤵ دوران اليمين: حرك مفتاح تحويل اتجاه الدوران (7) من الجانبين حتى النهاية إلى الوضع

⤴ دوران اليسار: حرك مفتاح تحويل اتجاه الدوران (7) من الجانبين حتى النهاية إلى الوضع

– اضبط اتجاه الدوران دائماً على الدوران اليميني من أجل التثقيب المرفق بالطرق والتثقيب والنحت.

### التشغيل والإطفاء

– لغرض تشغيل العدة الكهربائية، اضغط على مفتاح التشغيل/الإطفاء (9).

– لغرض تثبيت مفتاح التشغيل والإطفاء (9) احتفظ به مضغوطاً واضغط على القفل أيضاً (8).

– لغرض إطفاء العدة الكهربائية، اترك مفتاح التشغيل والإطفاء (9) في حالة ثبات مفتاح التشغيل والإطفاء (9)، اضغط عليه أولاً ثم اتركه بعد ذلك.

### ضبط عدد اللفات/عدد الطرقات

يمكنك أن تتحكم بعدد اللفات/عدد الطرقات بالعدة الكهربائية قيد التشغيل دون تدريج، حسب مدى الضغط على مفتاح التشغيل والإطفاء (9).

يؤدي الضغط الخفيف على مفتاح التشغيل والإطفاء (9) إلى عدد لفات/طرقات منخفض. ويرتفع عدد اللفات/الطرقات بزيادة الضغط.

### ضبط عمق التثقيب على الشافط السريع (انظر الصورة K)

يمكنك أن تحدد عمق الثقب المرغوب X حتى بعد تركيب الشافط السريع.

– حرك عدة الشغل SDS-plus حتى النهاية في حاضن العدة SDS-plus (3). قد تؤدي سهولة حركة عدة الشغل SDS-plus إلى ضبط خطأ لعمق الثقب.

– قم بفك اللولب المرنج (28) على الشافط السريع. ركز العدة الكهربائية بإحكام دون تشغيلها على المكان المرغوب ثقبه. يجب أن تركز عدة SDS-plus أثناء ذلك على السطح.

– حرك أنبوب توجيه (29) الشافط السريع في حامله بحيث يرتكز رأس الشافط السريع على السطح المرغوب ثقبه بتساطح. لا تدفع الأنبوب الدليلي (29) فوق الأنبوب المتداخل (27) عن الحد الضروري، بحيث يبقى الجزء الأكبر من التدريج على الأنبوب المتداخل (27) قابل للرؤية.

– أعد شد اللولب المرنج بإحكام (28). قم بفك لولب الزنق (25) بمحدد عمق الشافط السريع.

– حرك محدد العمق (26) على الأنبوب المتداخل (27) بحيث يتوافق موضع X الموضع في الصورة مع عمق الثقب المرغوب.

– قم بربط لولب القمط (25) في هذا الوضع بإحكام.

## التشغيل

### التشغيل

◀ يراعى جهد الشبكة الكهربائية! يجب أن يتطابق جهد منبع التيار مع البيانات المذكورة على لوحة صنع العدة الكهربائية. يمكن أن يتم تشغيل العدد الكهربائية المميزة بعلامة 230 فلت في مقبس 220 فلت أيضاً.

### ضبط نوع التشغيل

GBH 2-24 RE

يتم اختيار نوع تشغيل العدة الكهربائية بواسطة مفتاح التحويل «الثقب/الثقب المرفق بالطرق» (16).

– لتغيير نوع التشغيل اضغط على زر التمرير (15) وأدر مفتاح التحويل «الثقب/الثقب المرفق بالطرق» (16) إلى المركز المرغوب، إلى أن يتعاشق بصوت مسموع.

GBH 2-24 DFR, GBH 2-24 DRE

اختر باستخدام مفتاح إيقاف الدق/الدوران (11) نوع تشغيل العدة الكهربائية.

– اضغط على زر التمرير (10) لتغيير نوع التشغيل وأدر مفتاح إيقاف الدق/إيقاف الدوران (11) إلى الوضع المرغوب إلى أن يتعاشق بصوت مسموع.

إرشاد: قم بتغيير نوع التشغيل فقط عندما تكون العدة الكهربائية مطفأة. وإلا، فقد يتلف العدة الكهربائية.

◀ للعمل بشكل جيد وآمن حافظ دائماً على نظافة العدة الكهربائية وفتحات التهوية.  
 ▶ يجب تغيير غطاء الوقاية من الغبار التالف على الفور. وينصح أن يتنقذ ذلك من قبل مركز خدمة العملاء.

- قم بتنظيف حاضن العدة (3) بعد كل استخدام.  
 إذا تطلب الأمر استبدال خط الإمداد، فينبغي أن يتم ذلك من قبل شركة Bosch أو من قبل مركز خدمة الزبائن المعتمد لشركة Bosch للعدد الكهربائية، لتجنب التعرض للمخاطر.

### خدمة العملاء واستشارات الاستخدام

يجيب مركز خدمة العملاء على الأسئلة المتعلقة بإصلاح المنتج وصيانته، بالإضافة لقطع الغيار. تجد الرسوم التفصيلية والمعلومات الخاصة بقطع الغيار في الموقع: [www.bosch-pt.com](http://www.bosch-pt.com)  
 يسر فريق Bosch لاستشارات الاستخدام مساعدتك إذا كان لديك أي استفسارات بخصوص منتجاتنا وملحقاتها.  
[www.powertool-portal.de](http://www.powertool-portal.de)، بوابة الإنترنت للحرفيين والعمال اليدويين.  
 عند إرسال أية استفسارات أو طلبات بخصوص قطع غيار يلزم ذكر رقم الصنف ذو الخانات العشر وفقاً للوحة صنع المنتج.

### الجزائر

سيستال  
 منطقة الحدادين الصناعية  
 06000 بجاية  
 هاتف: +213 (0) 982 400 991/2  
 فاكس: +213 (0) 3 420 1569  
 بريد إلكتروني: [sav@siestal-dz.com](mailto:sav@siestal-dz.com)

### البحرين

مؤسسة حاتم الجفالي للمعدات الفنية.  
 مملكة البحرين، طريق سترة السريع، منطقة العكر  
 هاتف: +966126971777-311  
 فاكس: +97317704257  
 بريد إلكتروني: [h.berjas@eajb.com.sa](mailto:h.berjas@eajb.com.sa)

### مصر

RBEG-LLC  
 22 كمال الدين حسين  
 شيراتون هليوبوليس  
 11799 القاهرة  
 البريد الإلكتروني: [boschegypt.powertools@eg.bosch.com](mailto:boschegypt.powertools@eg.bosch.com)

### العراق

مجموعة الصهباء للتكنولوجيا  
 شارع مطار المنثى  
 بغداد  
 هاتف: +9647901906953  
 هاتف دبي: +97143973851  
 بريد إلكتروني: [bosch@sahbatechnology.com](mailto:bosch@sahbatechnology.com)

### الأردن

الجدور العربية Roots Arabia - الأردن  
 شارع ناصر بن جميل، المبنى 37 الرابية  
 عمان 11194  
 هاتف: +962 6 5545778  
 بريد إلكتروني: [bosch@rootsjordan.com](mailto:bosch@rootsjordan.com)

قايض فرط التحميل  
 ▶ تفصل قوة الدفع عن محور دوران المثقاب عندما تنقبط أو تتكبل عدة الشغل. أمسك العدة الكهربائية دائماً بكلتا اليدين بإحكام وقف بثبات بسبب القوى الناتجة عن ذلك.  
 ▶ اطفئ العدة الكهربائية وقم بمل عدة الشغل عند انحصار العدة الكهربائية. تتشكل عزوم رد فعل عالية عند تشغيل عدة ثقب مستعصية.

### إرشادات العمل

▶ اسحب القابس من مقبس الشبكة الكهربائية قبل إجراء أي عمل على العدة الكهربائية.  
 ▶ أمسك العدة الكهربائية من أسطح المسك المعزولة عند القيام بأعمال قد يترتب عليها ملامسة ملحق القطع أو أداة الربط لأسلاك كهربائية غير ظاهرة أو للسلك الخاص بالعدة نفسها. ملامسة ملحق القطع وأدوات الربط لسلك «مكهرب» قد يتسبب في مرور التيار في الأجزاء المعدنية من العدة وجعلها مكهربة مما قد يصيب المشغل بصدمة كهربائية.

### تغيير وضع الإزميل (القفل المتغير (Vario-lock) (الاسم التجاري) (GBH 2-24، GBH 2-24 DRE) (DFR)

يمكنك تثبيت الإزميل في أوضاع 36. ويمكنك بذلك أن تتخذ وضعية الشغل الأنسب في كل حالة.  
 - ركب الإزميل في حاضن العدة.  
 - أدّر مفتاح إيقاف الدق/إيقاف الدوران (11) إلى الوضع «القفل المتغير (Vario-lock)».  
 - أدّر عدة الشغل إلى وضع الإزميل المرغوب.  
 - أدّر مفتاح إيقاف الدق/إيقاف الدوران (11) إلى وضع «النحت». يتم إقفال حاضن العدة بذلك.  
 - اضبط اتجاه الدوران من أجل النحت في وضع الدوران اليميني.

### تركيب لقم ربط اللوالب (انظر الصورة L)

◀ ضع العدة الكهربائية على اللولب/الصامولة فقط عندما تكون مطفاة. إن عدد الشغل الدوارة قد تنزلق.

لاستخدام لقم ربط اللوالب تحتاج إلى حامل شامل (30) مع ساق حضن SDS-plus (توايح).  
 - نظف طرف إدخال ساق الحضن وشحمه قليلاً.  
 - اغرز الحامل العام في حاضن العدة أثناء إدارته إلى أن يتنقذ إقفاله من تلقاء نفسه.  
 - تفحص إحكام الثبات من خلال سحب الحامل العام.  
 - ركب لقم ربط لوالب في الحامل العام. استخدم فقط لقم ربط اللوالب التي تلائم رأس اللولب.  
 - لفك الحامل الشامل قم بدفع لبيسة الإقفال (5) إلى الخلف واخلع الحامل الشامل (30) من حاضن العدة.

## الصيانة والخدمة

### الصيانة والتنظيف

◀ اسحب القابس من مقبس الشبكة الكهربائية قبل إجراء أي عمل على العدة الكهربائية.

شارع الوحدة - مبنى صنعاء القديمة  
الشارقة

هاتف: +971 6 593 2777

فاكس: +971 6 533 2269

بريد إلكتروني: powertools@centralmotors.ae

#### اليمن

مؤسسة أبو الرجال التجارية

صنعاء، شارع الزبيرى. أمام مبنى البرلمان الجديد

هاتف: +967-1-202010

فاكس: +967-1-279029

بريد إلكتروني: tech-tools@abualrejal.com

#### التخلص من العدة الكهربائية

ينبغي تسليم العدد الكهربائية والتوابع والعبوة إلى  
مركز معالجة النفايات بطريقة محافظة على البيئة.

لا ترم العدد الكهربائية ضمن النفايات  
المنزلية.



#### فقط لدول الاتحاد الأوروبي:

حسب التوجيه الأوروبي 2012/19/EU بصدد الأجهزة  
الكهربائية والإلكترونية القديمة وتطبيقه ضمن  
القانون المحلي، ينبغي جمع العدد الكهربائية التي لم  
تعد صالحة للاستعمال بشكل منفصل، وتسليمها لمركز  
يقوم بإعادة استغلالها بطريقة محافظة على البيئة.

#### الكويت

شركة القرين لتجارة السيارات

منطقة الشويخ الصناعية، مبنى 1، قطعة 16، شارع  
رقم 3

صندوق بريد صندوق 164 - 13002 الصفاة

هاتف: 24810844

فاكس: 24810879

بريد إلكتروني: josephkr@aaalmutawa.com

لبنان

طميني هنا وشركاه ش.ذ.م.م.

صندوق بريد صندوق 449-90

جديده

الدورة-بيروت

هاتف: +9611255211

بريد إلكتروني: service-pt@tehini-hana.com

#### المغرب

Robert Bosch Morocco SARL

53، شارع الملازم محمد محروم

20300 الدار البيضاء

الهاتف: +212 5 29 31 43 27

البريد الإلكتروني: sav.outillage@ma.bosch.com

عمان

ملتن للتجارة والمقاولات ش.م.م.

صندوق بريد صندوق 131

حي روي، 112 سلطنة عمان

هاتف: +968 99886794

بريد إلكتروني: malatanpowertools@malatan.net

#### قطر

الدولية لملول البناء ش.م.م.

صندوق بريد صندوق 51،

هاتف الدوحة: +974 40065458

فاكس: +974 4453 8585

بريد إلكتروني: csd@icsdoha.com

#### المملكة العربية السعودية

الجبالي وأخوانه للمعدات الفنية (جيتكو)  
الكيلو 14، طريق المدينة، منطقة البوادي

جدة 21431

هاتف: +966 2 6672222 فرعي 1528

فاكس: +966 2 6676308

بريد إلكتروني: roland@eajb.com.sa

#### سوريا

مؤسسة دلال للأدوات الكهربائية

صندوق بريد صندوق 1030

حلب

هاتف: +963212116083

بريد إلكتروني: rita.dallal@hotmail.com

#### تونس

روبرت بوش تونس ش.ذ.م.م.

7 زنقة ابن بطوطة Z.I. سان جوبان

مقرين رياض

2014 ابن عروس

هاتف: +216 71 427 496/879

فاكس: +216 71 428 621

بريد إلكتروني: sav.outillage@tn.bosch.com

#### الإمارات العربية المتحدة

المركزية للسيارات والمعدات ش.م.م، صندوق بريد  
صندوق 1984

## آفارس

### دستورات ایمنی

#### هشدارهای ایمنی عمومی برای ابزارهای برقی

##### هشدار

تمامی هشدارهای ایمنی و دستورالعملها را مطالعه

کنید. عدم رعایت هشدارها و دستورالعملها ممکن است باعث برق گرفتگی، سوختگی و یا جراحتهای جدی شود.

کلیه هشدارهای ایمنی و دستورالعملها را برای مراجعات بعدی نگهداری کنید.

عبارت «ابزار برقی» در هشدارها به ابزارهایی که به پریز برق متصل میشوند (با سیم برق) و یا ابزارهای برقی باتری دار (بدون سیم برق) اشاره دارد.

##### ایمنی محل کار

محیط کار را تمیز و روشن نگه دارید. محیطهای در هم ریخته یا تاریک احتمال بروز حادثه را افزایش میدهند.

ابزار برقی را در محیطهایی که خطر انفجار وجود دارد و حاوی مایعات، گازها و بخارهای محترقه هستند، به کار نگیرید. ابزارهای برقی جرقههایی ایجاد میکنند که میتوانند باعث آتش گرفتن گرد و غبارهای موجود در هوا شوند.

هنگام کار با ابزار برقی، کودکان و سایر افراد را از دستگاه دور نگه دارید. در صورتیکه حواس شما پرت شود، ممکن است کنترل دستگاه از دست شما خارج شود.

##### ایمنی الکتریکی

دوشاخه ابزار برقی باید با پریز برق تناسب داشته باشد. هیچگونه تغییری در دوشاخه ایجاد نکنید. برای ابزارهای برقی دارای اتصال زمین (ارت)، از هیچگونه مبدل دو شاخه استفاده نکنید. دوشاخههای اصل و تغییر داده نشده و پریزهای مناسب، خطر برق گرفتگی را کاهش میدهند.

از تماس بدن با قطعات متصل به سیم اتصال زمین مانند لوله، شوفاژ، اجاق برقی و یخچال خودداری کنید. در صورت تماس بدنی با سطوح و قطعات دارای اتصال به زمین و همچنین تماس شما با زمین، خطر برق گرفتگی افزایش می یابد.

ابزارهای برقی را در معرض باران و رطوبت قرار ندهید. نفوذ آب به ابزار برقی، خطر شوک الکتریکی را افزایش میدهد.

از سیم دستگاه برای مقاصد دیگر استفاده نکنید. هرگز برای حمل ابزار برقی، کشیدن آن یا خارج کردن دوشاخه از سیم دستگاه استفاده نکنید. کابل دستگاه را از حرارت، روغن، لبههای تیز یا قطعات متحرک دور نگه دارید. کابلهای آسیب دیده و یا گره خورده خطر شوک الکتریکی را افزایش میدهند.

هنگام استفاده از ابزار برقی در محیطهای باز، تنها از کابل رابطی استفاده کنید که برای محیط باز نیز مناسب باشد. کابلهای رابط مناسب

برای محیط باز، خطر برق گرفتگی را کاهش میدهند.

در صورت لزوم به کار با ابزار برقی در محیط و اماکن مرطوب، باید از یک کلید حفاظتی جریان خطا و نشستی زمین (کلید قطع کننده اتصال با زمین) استفاده شود. استفاده از کلید حفاظتی جریان خطا و نشستی زمین خطر برق گرفتگی را کاهش میدهد.

##### رعایت ایمنی شخصی

حواس خود را خوب جمع کنید، به کار خود دقت کنید و با فکر و هوشیاری کامل با ابزار برقی کار کنید. در صورت خستگی و یا در صورتی که از مواد مخدر، الکل و دارو استفاده کردهاید، با ابزار برقی کار نکنید. یک لحظه بی توجهی هنگام کار با ابزار برقی، میتواند جراحت های شدیدی به همراه داشته باشد.

از تجهیزات ایمنی شخصی استفاده کنید. همواره از عینک ایمنی استفاده نمایید. استفاده از تجهیزات ایمنی مانند ماسک ایمنی، کفشهای ایمنی ضد لغزش، کلاه ایمنی و گوشی ایمنی متناسب با نوع کار، خطر مجروح شدن را کاهش میدهد.

مواظب باشید که ابزار برقی بطور ناخواسته بکار نیفتد. قبل از وارد کردن دوشاخه دستگاه در پریز برق، اتصال آن به باتری و برداشتن یا حمل دستگاه، دقت کنید که ابزار برقی خاموش باشد. در صورتی که هنگام حمل دستگاه انگشت شما روی دکمه قطع و وصل باشد و یا دستگاه را در حالت روشن به برق بزنید، ممکن است سوانح کاری پیش آید.

قبل از روشن کردن ابزار برقی، همه ابزارهای تنظیم کننده و آپارها را از روی دستگاه بردارید. ابزار و آپارهایی که روی بخشهای چرخنده دستگاه قرار دارند، میتوانند باعث ایجاد جراحت شوند.

وضعیت بدن شما باید در حالت عادی قرار داشته باشد. برای کار جای مطمئنی برای خود انتخاب کرده و تعادل خود را همواره حفظ کنید. به این ترتیب میتوانید ابزار برقی را در وضعیتهای غیر منتظره بهتر تحت کنترل داشته باشید.

لباس مناسب بپوشید. از پوشیدن لباسهای گشاد و حمل زینت آلات خودداری کنید. موها، لباس و دستکشها را از بخشهای در حال چرخش دستگاه دور نگه دارید. لباسهای گشاد، موی بلند و زینت آلات ممکن است در قسمتهای در حال چرخش دستگاه گیر کنند.

در صورتی که تجهیزاتی برای اتصال وسائل مکش گرد و غبار و یا وسیله جمع کننده گرد و غبار ارائه شده است، باید مطمئن شوید که این وسائل درست نصب و استفاده می شوند. استفاده از وسائل مکش گرد و غبار مصونیت شما را در برابر گرد و غبار زیادتیر میکند.

استفاده صحیح از ابزار برقی و مراقبت از آن از وارد کردن فشار زیاد روی دستگاه خودداری کنید. برای هر کاری، از ابزار برقی مناسب با آن استفاده کنید. بکار گرفتن ابزار

- دستگاه ردیاب مخصوص برای یافتن لوله ها و سیمهای تأسیسات استفاده کنید و یا با شرکت های کارهای تأسیسات ساختمان و خدمات مربوطه تماس بگیرید. تماس با کابل و سیمهای برق ممکن است باعث آتشسوزی و یا برق گرفتگی شود. ایراد و آسیب دیدگی لوله گاز میتواند باعث انفجار شود. سوراخ شدن لوله آب، باعث خسارت و یا برق گرفتگی میشود.
- قبل از کنار گذاشتن ابزار برقی صبر کنید تا دستگاه بطور کامل از کار و حرکت بایستد. ابزار ممکن است به قطعه کار گیر کرده و کنترل ابزار برقی از دست شما خارج شود.
- قطعه کار را محکم کنید. در صورتیکه قطعه کار به وسیله تجهیزات نگهدارنده و یا بوسیله گیره محکم شده باشد، قطعه کار مطمئن تر نگه داشته میشود، تا اینکه بوسیله دست نگهداشته شود.

## توضیحات محصول و کارکرد

همه دستورات ایمنی و راهنماییها را بخوانید. اشتباهات ناشی از عدم رعایت این دستورات ایمنی ممکن است باعث برقگرفتگی، سوختگی و یا سایر جراحات های شدید شود.



به تصویرهای واقع در بخشهای اول دفترچه راهنما توجه کنید.

## موارد استفاده از دستگاه

### GBH 2-24 RE

ابزار برقی برای سوراخکاری چکشی در بتن، آجر و سنگ ها در نظر گرفته شده است. علاوه بر این برای سوراخکاری بدون ضربه روی چوب، فلز، سرامیک، مواد مصنوعی مناسب است. ابزارهای برقی با کنترل الکترونیکی و قابلیت چرخش راست گرد و چپ گرد برای پیچکاری (پیچ زنی) نیز مناسب هستند.

### GBH 2-24 DRE/DFR

ابزار برقی برای سوراخکاری چکشی در بتن، آجر و سنگ ها و نیز کار سبک با قلم در نظر گرفته شده است. علاوه بر این برای سوراخکاری بدون ضربه روی چوب، فلز، سرامیک، مواد مصنوعی مناسب است. ابزارهای برقی با کنترل الکترونیکی و قابلیت چرخش راست گرد و چپ گرد برای پیچکاری (پیچ زنی) نیز مناسب هستند.

## اجزاء با تصویر

شماره های اجزاء دستگاه که در تصویر مشاهده میشود، مربوط به شرح ابزار برقی می باشد که تصویر آن در این دفترچه آمده است.

- (1) سه نظام تعویض-مهارد سریع (GBH 2-24) (DFR)
- (2) سه نظام تعویض (GBH 2-24SDS-plus) (DFR)
- (3) ابزارگیر SDS-plus
- (4) کلاهک محافظت در برابر گرد و غبار
- (5) آداپتور (سرپوش) قفل
- (6) رینگ قفل سه نظام تعویض (GBH 2-24) (DFR)

- برقی مناسب باعث میشود که بتوانید از توان دستگاه بهتر و با اطمینان بیشتر استفاده کنید.
  - در صورت ایراد در کلید قطع و وصل ابزار برقی، از دستگاه استفاده نکنید. هر نوع ابزار برقی که نمی توان آن را با استفاده از کلید قطع و وصل کرد، خطرناک بوده و باید تعمیر شود.
  - قبل از تنظیم ابزار برقی، تعویض متعلقات و یا کنار گذاشتن آن، دوشاخه را از برق بکشید و یا باتری آنرا خارج کنید. رعایت این اقدامات ایمنی پیشگیرانه از روشن شدن ناخواسته ابزار الکتریکی جلوگیری می کند.
  - ابزار برقی را در صورت عدم استفاده، از دسترس کودکان دور نگه دارید و اجازه ندهید که افراد ناوارد و یا اشخاصی که این دفترچه راهنما را نخواندهاند، با این دستگاه کار کنند. قرار گرفتن ابزار برقی در دست افراد ناوارد و بی تجربه خطرناک است.
  - از ابزار برقی خوب مراقبت کنید. مواظب باشید که قسمت های متحرک دستگاه خوب کار کرده و گیر نکنند. همچنین دقت کنید که قطعات ابزار برقی شکسته و یا آسیب دیده نباشند. قطعات آسیب دیده را قبل از شروع به کار تعمیر کنید. علت بسیاری از سوانح کاری، عدم مراقبت کامل از ابزارهای برقی است.
  - ابزارهای برش را تیز و تمیز نگه دارید. ابزار برشی که خوب مراقبت شده و از لبه های تیز برخوردار است، کمتر در قطعه کار گیر کرده و بهتر قابل هدایت است.
  - ابزار برقی، متعلقات، متهای دستگاه و غیره را مطابق دستورالعملهای این جزوه راهنما به کار بگیرید و به شرایط کاری و نوع کار نیز توجه داشته باشید. استفاده از ابزار برقی برای عملیاتی به جز مقاصد در نظر گرفته شده، میتواند به بروز شرایط خطرناک منجر شود.
- ## سرویس
- برای تعمیر ابزار برقی فقط به متخصصین حرفهای رجوع کنید و از قطعات یدکی اصل استفاده نمایید. این باعث خواهد شد که ایمنی دستگاه شما تضمین گردد.
- ## هشدارهای ایمنی برای چکشها
- از گوشی ایمنی استفاده کنید. قرار گرفتن در معرض سر و صدا، میتواند به شنوایی آسیب برساند.
  - از دسته کمکی، در صورتی که به همراه ابزار ارائه شده است استفاده کنید. از دست دادن کنترل بر روی ابزار میتواند باعث بروز جرات شود.
  - در صورت انجام کارهایی که امکان برخورد متعلقات برش یا منگنه با کابلهای حامل جریان برق مخفی وجود دارد، ابزار برقی را از دسته عایق بگیرید. در صورت برخورد با یک کابل حامل "جریان برق" ممکن است قسمتهای فلزی ابزار برقی حامل "جریان برق" شوند و باعث بروز شوک الکتریکی یا برق گرفتگی گردند.
  - برای پیدا کردن لوله ها و سیم های پنهان موجود در ساختمان و محدوده کار، از یک



- (7) کلید تغییر جهت چرخش  
(8) دکمه قفل و تثبیت کلید قطع و وصل دستگاه  
(9) کلید قطع و وصل  
(10) دکمه آزاد کننده قفل تنظیم کننده ضربه و توقف چرخش (GBH 2-24, GBH 2-24 DRE) (DFR)  
(11) کلید تغییر حالت ضربه/چرخش (GBH 2-24) (GBH 2-24 DFR, DRE)  
(12) دکمه برای تعیین و تنظیم عمق سوراخ  
(13) تنظیم کننده عمق  
(14) دسته کمکی (دسته های عایق)  
(15) دکمه آزاد کننده قفل برای کلید تغییر "سوراخکاری/سوراخکاری چکشی" (GBH 2-24) (RE)  
(16) کلید تغییر "سوراخکاری/سوراخکاری چکشی" (GBH 2-24 RE)  
(17) دسته (دارای سطح عایق)  
(18) پیچ ایمنی برای سه نظام معمولی (A)
- (19) سه نظام معمولی (A)  
(20) شفت گیرنده SDS-plus برای سه نظام (A)  
(21) گیرنده سه نظام (GBH 2-24 DFR)  
(22) بوش جلویی سه نظام تعویض-مهار سریع (GBH 2-24 DFR)  
(23) رینگ نگهدارنده برای سه نظام تعویض-مهار سریع (GBH 2-24 DFR)  
(24) دهانه مکش سر مکنده (A)  
(25) پیچ اتصال سر مکنده (A)  
(26) نگهدارنده عمق سر مکنده (A)  
(27) لوله تلسکوپی سر مکنده (A)  
(28) پیچ پروانه ای سر مکنده (A)  
(29) لوله راهنمای سر مکنده (A)  
(30) نگهدارنده یونیورسال (رابط سرپیچگوشتی) با میله مجهز به SDS-plus
- (A) کلیه متعلقاتی که در تصویر و یا در متن آمده است، بطور معمول همراه دستگاه ارائه نمی شود. لطفاً لیست کامل متعلقات را از فهرست برنامه متعلقات اقتباس نمایند.

## مشخصات فنی

GBH 2-24 DFR	GBH 2-24 DRE	GBH 2-24 RE	دریل چکشی	
3611 B73 0..	3611 B72 1..	3611 B72 0..		شماره فنی
●	●	●		کنترل و تنظیم سرعت
●	●	-		توقف چرخش
●	●	●		چرخش راستگرد/ چپگرد
●	-	-		سه نظام قابل تعویض سریع
790	790	790	W	قدرت ورودی نامی
4200-0	4200-0	4200-0	<sup>1</sup> min	تعداد ضربه
2,7	2,7	2,7	J	قدرت هر ضربه مطابق استاندارد EPTA-Procedure 05:2016
930-0	930-0	930-0	<sup>1</sup> min	تعداد دور (سرعت)
SDS-plus	SDS-plus	SDS-plus		ابزارگیر
48,5	48,5	48,5	میلیمتر	قطر محور گلوئی
				بیشینه قطر سوراخ
24	24	24	میلیمتر	- بتن
68	68	68	میلیمتر	- قطعات آجری (با دریل نمونه بردار)
13	13	13	میلیمتر	- فولاد
30	30	30	میلیمتر	- چوب
2,9	2,8	2,8	kg	وزن مطابق استاندارد EPTA-Procedure 01:2014
II/□	II/□	II/□		کلاس ایمنی

مقادیر برای ولتاژ نامی [230] U ولت میباشند. برای ولتاژهای مختلف و تولیدات مخصوص کشورها، ممکن است این مقادیر، متفاوت باشند.

## نصب

◀ پیش از انجام هرگونه کاری بر روی ابزار الکتریکی، دوشاخه اتصال آنرا از داخل پریز برق بیرون بکشید.

### دسته کمکی

از ابزار برقی تنها با دسته ی کمکی (14) استفاده کنید.

تعویض حالت دسته کمکی (رجوع کنید به تصویر A)

- دسته کمکی (14) را می توان به دلفواه جهت بدست آمدن حالت کاری مطمئن و راحت چرخاند.
- قسمت پایینی دسته کمکی (14) را در خلاف جهت چرخش عقربه‌های ساعت بچرخانید و دسته کمکی (14) را به حالت دلفواه برانید. سپس قسمت پایینی دسته کمکی (14) را در جهت چرخش عقربه‌های ساعت محکم کنید.

توجه داشته باشید که تسمه مهار دسته کمکی در شیار موجود در بدنه دستگاه که برای آن در نظر گرفته شده است، قرار بگیرد.

**نحوه تنظیم عمق سوراخ (رجوع کنید به تصویر B)**

- با نگهدارنده عمق (13) می توان عمق سوراخکاری دلفواه X را تثبیت کرد.
- دکمه برای تنظیم نگهدارنده عمق (12) را فشار دهید و آن را در دسته کمکی (14) بگذارید. برآمدگی نگهدارنده عمق (13) بایستی به طرف پایین باشد.
- ابزار SDS-plus را تا در ابزارگیر (3SDS-plus) قرار دهید. حرکت آزاد ابزار SDS-plus ممکن است به تنظیم اشتباه عمق سوراخکاری منجر شود.
- نگهدارنده عمق را آنقدر بیرون بکشید تا فاصله بین نوک مته و نوک نگهدارنده عمق با عمق مته دلفواه X مطابق باشد.

### نحوه انتخاب ابزار دریل و سه نظام

برای سوراخکاری چکشی و نیز قلم کاری نیاز به ابزارهای SDS-plus است که در سه نظام SDS-plus قرار گیرند.

- برای سوراخ کردن بدون ضربه چوب، فلز، سرامیک و پلاستیک و همچنین برای پیچکاری، ابزار (معمولی) بدون SDS-plus (از جمله مته با شفت استوانه ای) بکار برده میشود. برای این ابزار به یک سه نظام اتوماتیک و یا سه نظام معمولی نیاز است.
- GBH 2-24 DFR**: سه نظام تعویض (2SDS-plus) را نمی توان با سه نظام تعویض-مهار سریع (1) جایگزین کرد.

### تعویض سه نظام معمولی (GBH 2-24 DRE، RE)

برای کار بدون SDS-plus (مانند مته با شفت استوانه ای) بایستی یک سه نظام مناسب نصب کنید (سه نظام معمولی یا سه نظام مهار سریع، متعلقات).

### نصب سه نظام معمولی (رجوع کنید به تصویر C)

- شفت گیرنده (20SDS-plus) را در سه نظام معمولی (19) قرار دهید. سه نظام معمولی (19) را با پیچ ایمنی (18) قفل کنید. توجه داشته باشید که پیچ ایمنی دارای رزوه چپ می باشد.

### قرار دادن سه نظام معمولی (رجوع کنید به تصویر C)

- شفت آداپتور را تمیز و قسمت انتهایی آنرا کمی چرب کنید.
- شفت آداپتور سه نظام معمولی را بطور چرخان، داخل ابزارگیر قرار دهید تا اینکه بطور اتوماتیک قفل شود.
- با کشیدن سه نظام معمولی، قفل بودن آن را امتحان کنید.

### نحوه برداشتن سه نظام معمولی

- آداپتور قفل (5) را به عقب برانید و سه نظام معمولی (19) را چرخان بردارید.

### قرار دادن ابزارها بدون SDS-plus (نام تجاری GBH 2-24 DRE, GBH 2-24 RE)

**نکته:** از ابزارهای بدون SDS-plus برای سوراخکاری چکشی یا قلم کاری استفاده نکنید! ابزارهای بدون SDS-plus و سه نظام آنها هنگام سوراخکاری چکشی و قلم کاری آسیب می بینند.

- یک سه نظام معمولی (19) را قرار دهید.
- سه نظام معمولی (19) را با چرخاندن باز کنید تا ابزار قرارگیرد. ابزار را قرار دهید.
- آچار سه نظام را در سوراخ های مربوط سه نظام معمولی (19) قرار دهید و همزمان ابزار را سفت کنید.

**GBH 2-24 RE:** کلید تعویض (16) را روی نماد „سوراخکاری“ قرار دهید.

**GBH 2-24 DRE:** کلید چرخان تغییر حالت ضربه/چرخش (11) را به حالت "سوراخکاری" بچرخانید.

### برداشتن ابزارها بدون SDS-plus (نام تجاری GBH 2-24 DRE, GBH 2-24 RE)

- سه نظام معمولی (19) را به کمک آچار سه نظام در خلاف جهت عقربه های ساعت بچرخانید تا ابزار بیرون بیاید.

### قرار دادن ابزارها بدون SDS-plus (رجوع کنید به GBH 2-24 DFR H)

**نکته:** از ابزارهای بدون SDS-plus برای سوراخکاری چکشی یا قلم کاری استفاده نکنید! ابزارهای بدون SDS-plus و سه نظام آنها هنگام سوراخکاری چکشی و قلم کاری آسیب می بینند.

- سه نظام تعویض-مهار سریع (1) را قرار دهید.
- در این حین رینگ نگهدارنده (23) مربوط به سه نظام تعویض را محکم نگهدارید. ابزارگیر را با چرخاندن بوش جلویی (22) آنقدر باز کنید که بتوان ابزار را جا انداخت. رینگ نگهدارنده (23) را محکم بگیرید و آن را در بوش جلویی (22) با قدرت در جهت فلش بچرخانید تا صدای جغجغه به گوش برسد.

- با کشیدن ابزار، قرار گرفتن و نشست صحیح آن را امتحان کنید.

**نکته:** چنانچه ابزارگیر تا انتها باز شده باشد، ممکن است هنگام چرخاندن، ابزارگیر یک صدای جغجغه بدهد و بسته نشود.

- در این صورت بوش جلویی (22) را یکبار در خلاف جهت فلش بچرخانید. بعد می توان ابزارگیر را بست.
- کلید چرخان تغییر حالت ضربه/چرخش (11) را به حالت "سوراخکاری" بچرخانید.

### برداشتن ابزارها بدون (GBH 2-24SDS-plus DFR) (رجوع کنید به تصویر A)

رینگ نگهدارنده (23) مربوط به سه نظام تعویض-مهار سریع را محکم نگهدارید. ابزارگیر را با چرخاندن بوش جلویی (22) در جهت فلش آنقدر باز کنید که بتوان ابزار را درآورد.

### قرار دادن/برداشتن سه نظام تعویض (ابزار GBH 2-24 DFR)

#### برداشتن سه نظام تعویض (رجوع کنید به تصویر D)

- رینگ قفل سه نظام تعویض (6) را به پشت بکشید، آن را در این حالت محکم نگهدارید و سه نظام تعویض - SDS-plus (2) یا سه نظام تعویض-مهار سریع (1) را به جلو بکشید.
- سه نظام قابل تعویض سریع را پس از برداشتن در برابر آلودگی محافظت کنید.

#### قرار دادن سه نظام تعویض (رجوع کنید به تصویر E)

- سه نظام قابل تعویض سریع را پیش از جاگذاری آن، تمیز و قسمت انتهایی آنرا کمی چرب کنید.
- سه نظام SDS-plus (2) یا سه نظام تعویض-مهار سریع (1) را با تمام دست بگیرید. سه نظام تعویض را به طور چرخان روی گیرنده سه نظام (21) قرار دهید تا یک صدای واضح جا افتادن به گوش برسد.
- سه نظام قابل تعویض سریع بطور خودکار قفل میشود. با کشیدن سه نظام قابل تعویض سریع، قفل بودن آن را امتحان کنید.

#### تعویض ابزار

درپوش حفاظتی گرد و غبار (4) از نفوذ گرد و غبار مته کاری در گیرنده ابزار در حین کار به طور عمده جلوگیری می کند. هنگام قرار دادن ابزار دقت کنید که درپوش حفاظتی گرد و غبار (4) آسیب نبیند.

◀ **کلاسهک محافظت در برابر گرد و غبار را در صورت آسیب دیدن فوراً عوض کنید. توصیه میشود اینکار را توسط تعمیرگاه مجاز (خدمات پس از فروش) انجام دهید.**

#### قرار دادن ابزار SDS-plus (رجوع کنید به تصویر F)

توسط سه نظام SDS-plus می توان ابزار را آسان و راحت بدون استفاده از سایر ابزارالات عوض کرد.

**GBH 2-24 DFR:** سه نظام تعویض - SDS-plus (2) را قرار دهید.

- انتهایی ابزار را برای جاگذاری آن تمیز کرده و قسمت انتهایی آنرا کمی چرب کنید.
- ابزار دریل را با چرخش در داخل ابزارگیر قرار دهید، بطوریکه خود بخود در دستگاه قفل شود.
- با کشیدن ابزار از قفل شدن آن مطمئن شوید.
- ابزار SDS-plus به دلایل سیستمی آزادانه قابل حرکت است. به این ترتیب در حالت بدون بار (در حالت آزاد)، یک گردش دورانی نامنظم انجام میگیرد. این مسئله هیچگونه تأثیری بر روی دقت سوراخ کاری و سوراخ مته ندارد، زیرا مته در هنگام سوراخ کردن بطور اتوماتیک در مرکز سوراخ قرار میگیرد.

#### نحوه برداشتن ابزار SDS-plus (رجوع کنید به تصویر G)

- آداپتور قفل (5) را به عقب برانید و ابزار را چرخان از ابزارگیر بردارید.

- لوله راهنمای (29) سر مکنده را طوری در نگهدارنده قرار دهید که قسمت بالایی سر مکنده روی سطح مورد سوراخکاری قرار گیرد. لوله راهنما (29) را بیشتر از نیاز روی لوله تلسکوپی (27) نکشید، طوری که بخش زیادی از درجه بندی روی لوله تلسکوپ (27) دیده شود.
- پیچ پروانه ای (28) را دوباره سفت کنید. پیچ اتصال (25) روی نگهدارنده عمق واقع بر سر مکنده را باز کنید.
- نگهدارنده عمق (26) را طوری روی لوله تلسکوپی (27) قرار دهید که فاصله X نشان داده شده در تصویر، با عمق سوراخ دلفواه مطابق باشد.
- پیچ اتصال (25) را در این حالت سفت کنید.

## طرز کار با دستگاه

### راه اندازی و نحوه کاربرد دستگاه

- ◀ به ولتاژ شبکه برق توجه کنید! ولتاژ منبع جریان برق باید با مقادیر موجود بر روی برچسب ابزار الکتریکی مطابقت داشته باشد. ابزارهای برقی را که با ولتاژ V 230 و ولت مشخص شده اند، می توان تحت ولتاژ V 220 ولت نیز بکار برد.

### تنظیم نوع عملکرد

#### GBH 2-24 RE

- با کلید چرخان تغییر حالت "سوراخکاری/سوراخکاری چکشی" (16) نوع عملکرد ابزار برقی را انتخاب کنید.
- برای تعویض نوع عملکرد، دکمه آزاد کننده قفل (15) را فشار دهید و کلید چرخان تغییر حالت "سوراخکاری/سوراخکاری چکشی" (16) را به حالت دلخواه برانید تا به طور محسوس جابجافتند.

#### GBH 2-24 DFR, GBH 2-24 DRE

- با کلید چرخان تغییر حالت (11) نوع عملکرد ابزار برقی را انتخاب کنید.
- برای تعویض نوع عملکرد، دکمه آزاد کننده قفل (10) را فشار دهید و کلید چرخان تغییر حالت (11) را به حالت دلخواه برانید تا به طور محسوس جابجافتند.

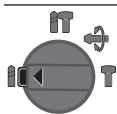
**نکته:** نوع عملکرد را تنها با ابزار برقی خاموش تغییر دهید! در غیر اینصورت امکان آسیب دیدن ابزار برقی وجود دارد.

GBH 2-24 DRE  
GBH 2-24 DFR

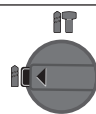
GBH 2-24 RE



حالت سوراخکاری  
چکشی در بتن و سنگ



حالت سوراخ کردن  
برای کار بدون ضربه در چوب، فلز، سرامیک و پلاستیک و همچنین برای پیچکاری بکار برده میشود



## مکش گرد و غبار با سر مکنده (متعلقات)

### مکش گرد، براده و تراشه

گرد و غبار موادی مانند رنگ های دارای سرب، بعضی از چوب ها، مواد معدنی و فلزات میتوانند برای سلامتی مضر باشند. دست زدن و یا تنفس کردن گرد و غبار ممکن است باعث بروز آلرژی و یا بیماری مجاری تنفسی شخص استفاده کننده و یا افرادی که در آن نزدیکی میباشند، بشود. گرد و غبارهای مخصوصی مانند گرد و غبار درخت بلوط و یا درخت راش سرطان زا هستند، بخصوص ترکیب آنها با سایر موادی که برای کار بر روی چوب (کرومات، مواد برای محافظت از چوب) بکار برده میشوند. فقط افراد متخصص مجازند با موادی که دارای آزیست میباشند کار کنند.

- حتی الامکان از یک دستگاه مکش مناسب و درخور ماده (قطعه کار) استفاده کنید.

- توجه داشته باشید که محل کار شما از تهویه هوای کافی برخوردار باشد.

- توصیه میشود از ماسک تنفسی ایمنی با درجه فیلتر P2 استفاده کنید.

به قوانین و مقررات معتبر در کشور خود در رابطه با استفاده از مواد و قطعات کاری توجه کنید.

◀ از تجمع گرد و غبار در محل کار جلوگیری کنید. گرد و غبار می توانند به آسانی مشتعل شوند.

### نصب تجهیزات مکش (رجوع کنید به تصویر J)

برای مکش گرد و غبار به ملحقات مکش گرد و غبار (متعلقات) نیاز دارید. هنگام سوراخ کاری، این ملحقات بطور فنی طوری به عقب رانده میشوند که سر مکنده همواره کاملاً در نزدیکی سطحی که سوراخ میشود، قرار بگیرد.

- دکمه برای تنظیم نگهدارنده عمق (12) را فشار دهید و نگهدارنده عمق (13) را بردارید. دکمه

برای تنظیم نگهدارنده عمق (12) را دوباره فشار دهید و آن را در دسته کمکی (14) بگذارید.

- شلنگ مکش (قطر 19 میلیمتر، متعلقات) را به دهانه مکش (24) سر مکنده وصل کنید.

دستگاه مکنده باید برای قطعه کار مورد نظر مناسب باشد.

برای مکش گرد و غباری که برای سلامتی مضرند و سرطان زا هستند و یا برای مکش تراشه های خشک باید از یک دستگاه مکنده مخصوص استفاده کنید.

### نحوه تنظیم عمق سوراخ روی سر مکنده (رجوع کنید به تصویر K)

عمق سوراخ دلخواه X را نیز می توان با سر مکنده نصب شده تعیین کرد.

- ابزار SDS-plus را تا در ابزارگیر (3SDS-plus) قرار دهید. حرکت آزاد ابزار SDS-plus ممکن است به تنظیم اشتباه عمق سوراخکاری منجر شود.

- پیچ پروانه ای (28) روی سر مکنده را باز کنید.

- ابزار برقی را بدون روشن کردن آن، بطور ثابت و محکم بر روی سطحی که باید سوراخ شود قرار دهید. ابزار SDS-plus باید در این حین روی سطح قرار گیرد.

ارتعاش و عکس العمل های شدید گشتاور می شود.

### راهنمایهای عملی

- ◀ پیش از انجام هرگونه کاری بر روی ابزار الکتریکی، دوشاخه اتصال آنرا از داخل پریز برق بیرون بکشید.
- ◀ در صورت انجام کارهایی که امکان برخورد متعلقات برش یا منگنه با کابلهای حامل جریان برق مخفی وجود دارد، ابزار برقی را از دسته عایق بگیرید. در صورت برخورد با یک کابل حامل "جریان برق" ممکن است قسمتهای فلزی ابزار برقی حامل "جریان برق" شوند و باعث بروز شوک الکتریکی یا برق گرفتگی گردند.

### تغییر حالت قلم (GBH 2-24 DRE Vario-Lock) (GBH 2-24 DFR)

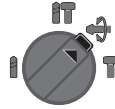
- شما می توانید قلم را در 36 حالت تغییر دهید. این ترتیب میتواند بهترین حالت کار را انتخاب کنید.
- قلم را در ابزارگیر دستگاه قرار دهید.
- کلید چرخان تغییر حالت ضربه/چرخش (11) را به حالت "Vario-Lock" بچرخانید.
- مته، قلم و یا ابزار دریل را در وضعیت دلخواه برای قلم کاری بچرخانید.
- کلید چرخان تغییر حالت ضربه/چرخش (11) را به حالت "قلم کاری" بچرخانید. ابزارگیر اینگونه قفل می شود.
- برای قلم کاری، جهت چرخش را بر روی چرخش راست گرد قرار دهید.

### قرار دادن سر پیچگوشتی (رجوع کنید به تصویر (L))

- ◀ ابزار برقی را تنها در حالت خاموش روی پیچ و یا مهره قرار دهید. امکان لغزش ابزار در حال چرخش وجود دارد.
- برای کاربری سر پیچگوشتی به یک نگهدارنده اونیورسال (30) با شفت SDS-plus (متعلقات) نیاز دارید.
- شفت آداپتور را تمیز و قسمت انتهایی آنرا کمی چرب کنید.
- نگهدارنده یونیورسال (رابط سر پیچگوشتی) را در حالت چرخان داخل ابزارگیر قرار دهید تا زمانیکه بطور اتوماتیک قفل شود.
- با کشیدن رابط سر پیچگوشتی، قفل بودن آنرا امتحان کنید.
- یک سر پیچگوشتی را داخل رابط سر پیچگوشتی (نگهدارنده یونیورسال) قرار دهید. منحصراً از سر پیچگوشتی های متناسب با سریکس استفاده کنید.
- برای درآوردن نگهدارنده اونیورسال، بوش قفل کننده (5) را به عقب برانید و نگهدارنده اونیورسال (30) را از ابزارگیر بیرون آورید.

GBH 2-24 DRE  
GBH 2-24 DFR

GBH 2-24 RE



حالت **Vario-Lock** برای تغییر حالت قلم کلید چرخان تغییر حالت در این وضعیت (11) جا نمی افتد.



حالت قلم کاری

### تنظیم جهت چرخش

◀ کلید تغییر جهت چرخش (7) را هنگام متوقف بودن دستگاه فعال کنید.

- توسط دکمه تعویض جهت چرخش (7) می توان جهت چرخش ابزار برقی را تغییر داد. هنگامی که کلید قطع و وصل (9) فشرده شده است، این امر ممکن نیست.
- **راستگرد:** کلید تغییر جهت چرخش (7) را از دو طرف تا انتها به حالت ← برانید.
- **چپگرد:** کلید تغییر جهت چرخش (7) را از دو طرف تا انتها به حالت → برانید.
- جهت چرخش را برای دریل کاری چکشی، سوراخ کاری و قلم کاری (قلم زنی) همیشه بطرف چرخش راست گرد تنظیم کنید.

### نحوه روشن و خاموش کردن

- برای روشن کردن ابزار برقی، کلید قطع و وصل (9) را فشار دهید.
- برای قفل کردن کلید قطع و وصل (9) آن را فشرده نگه دارید و علاوه بر این دکمه تثبیت (8) را فشار دهید.
- برای خاموش کردن ابزار برقی، کلید قطع و وصل (9) را رها کنید. در صورت قفل بودن کلید قطع و وصل (9) آن را ابتدا فشار دهید و دوباره رها کنید.

### نحوه تنظیم تعداد ضربه/سرعت

- سرعت ابزار برقی را می توان با فشردن دلخواه کلید قطع و وصل (9) تنظیم کرد.
- فشار کم روی کلید قطع و وصل (9) سرعت کاهش مییابد. افزایش فشار باعث افزایش سرعت و تعداد ضربه ها میشود.

### کلاج ایمنی

- ◀ هنگامی که مته یا ابزار دریل گیر کند، نیروی محرکه محور (شفت) مته قطع می شود.
- بدلیل نیروهایی که در اینصورت ایجاد می شوند، ابزار برقی را همیشه با هر دو دست محکم نگهدارید و وضعیت ایستادن شما هم باید ثابت و مستقر باشد.
- ◀ در صورتیکه ابزار برقی بلوکه شود یا گیر کند، ابزار برقی را خاموش کرده و ابزار را از روی دستگاه بردارید. روشن کردن ابزار برقی در حالیکه ابزار مته گیر کرده باشد، باعث ایجاد

## مراقبت و سرویس

### مراقبت، تعمیر و تمیز کردن دستگاه

- ◀ پیش از انجام هرگونه کاری بر روی ابزار الکتریکی، دوشاخه اتصال آنرا از داخل پریز برق بیرون بکشید.
  - ◀ ابزار الکتریکی و شیارهای تهویه آنرا تمیز نگاه دارید، تا ایمنی شما در کار تضمین گردد.
  - ◀ کلاهک محافظت در برابر گرد و غبار را در صورت آسیب دیدن فوراً عوض کنید. توصیه میشود اینکار را توسط تعمیرگاه مجاز (خدمات پس از فروش) انجام دهید.
- ابزارگیر (3) را پس از هر بار کاربری تمیز کنید. در صورت نیاز به یک کابل پدکی برای اتصال به شبکه برق، بایستی به شرکت **Bosch** و یا به نمایندگی مجاز **Bosch** (خدمات پس از فروش) برای ابزار آلات برقی مراجعه کنید تا از بروز خطرات ایمنی جلوگیری بعمل آید.

### خدمات و مشاوره با مشتریان

دفتر خدمات پس از فروش به سئوالات شما در باره تعمیرات، سرویس و همچنین قطعات یدکی و متعلقات پاسخ خواهد داد. نقشه‌های سه بعدی و اطلاعات در مورد قطعات یدکی را در تارنمای زیر میباید: [www.bosch-pt.com](http://www.bosch-pt.com)

تیم مشاوره کاربری Bosch به سئوالات شما در مورد محصولات ما و متعلقات آنها پاسخ می دهد.

[www.powertool-portal.de](http://www.powertool-portal.de)، سامانه اینترنتی برای صنعتگران و مشاغل فنی.

برای هرگونه سؤال و یا سفارش ابزار یدکی و متعلقات، حتماً شماره فنی ده رقمی کالا را مطابق برچسب روی ابزار برقی اطلاع دهید.

### ایران

روبرت بوش ایران - شرکت بوش تجارت پارس  
میدان ونک، خیابان شهید خدای، خیابان آفتاب  
ساختمان مدیران، شماره 3، طبقه سوم.  
تهران 1994834571  
تلفن: 9821+ 42039000

### از رده خارج کردن دستگاه

ابزار برقی، متعلقات و بسته بندی آن، باید طبق مقررات حفظ محیط زیست از رده خارج و بازیافت شوند.

ابزارهای برقی را داخل زباله دان خانگی نیاندازید!

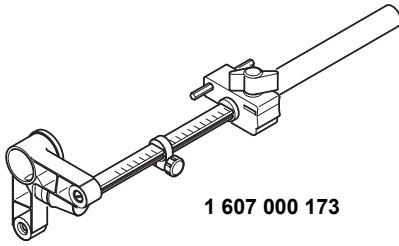


### فقط برای کشورهای عضو اتحادیه اروپا:

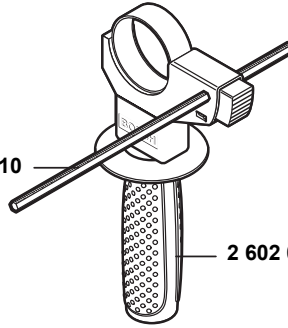
طبق آئین نامه و دستورالعمل اروپائی 2012/19/EU در باره دستگاههای کهنه الکتریکی و الکترونیکی و تبدیل آن به حق ملی، باید ابزارهای برقی غیرقابل استفاده را جداگانه جمع آوری کرد و نسبت به بازیافت مناسب با محیط زیست اقدام بعمل آورد.





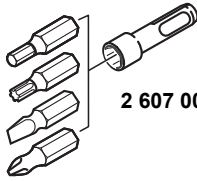


1 607 000 173



1 613 001 010

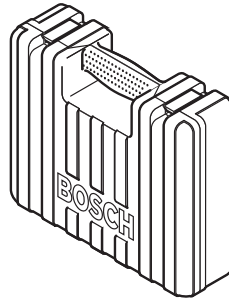
2 602 025 141



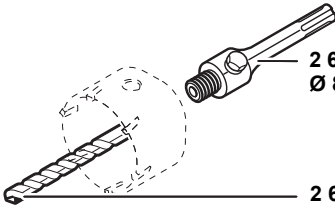
2 607 000 207



2 608 550 074 (Ø 40 mm)  
2 608 550 075 (Ø 50 mm)  
2 608 550 076 (Ø 68 mm)



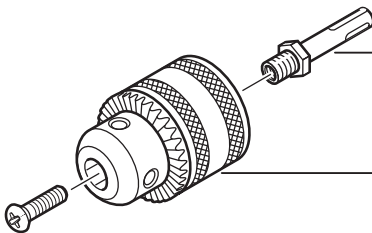
2 605 438 098



2 608 550 057  
Ø 8 mm

2 608 596 157  
Ø 8 mm

**GBH 2-24 RE/DRE**



1 617 000 132  
SDS-plus

1 608 571 062  
Ø 1,5 - 13 mm



1 607 950 045




**GBH 2-24 DFR**



2 608 572 212  
Ø 50 mm



2 608 572 213  
SDS-plus  
Ø 50 mm

<b>en EU Declaration of Conformity</b>		We declare under our sole responsibility that the stated products comply with all applicable provisions of the directives and regulations listed below and are in conformity with the following standards. Technical file at: *	
<b>Rotary Hammer</b>	Article number		
<b>fr Déclaration de conformité UE</b>		Nous déclarons sous notre propre responsabilité que les produits décrits sont en conformité avec les directives, règlements normatifs et normes énumérés ci-dessous. Dossier technique auprès de : *	
<b>Marteau perforateur</b>	N° d'article		
<b>pt Declaração de Conformidade UE</b>		Declaramos sob nossa exclusiva responsabilidade que os produtos mencionados cumprem todas as disposições e os regulamentos indicados e estão em conformidade com as seguintes normas. Documentação técnica pertencente à: *	
<b>Martelo perfurador</b>	N.º do produto		
<b>GBH 2-24 RE</b>	3 611 B72 0..	2006/42/EC 2014/30/EU 2011/65/EU	EN 60745-1:2009 + A11:2010 EN 60745-2-6:2010 EN 55014-1:2006 + A1:2009 + A2:2011 EN 55014-2:2015 EN 61000-3-2:2014 EN 61000-3-3: 2013 EN 50581:2012
<b>GBH 2-24 DRE</b>	3 611 B72 1..		
<b>GBH 2-24 DFR</b>	3 611 B73 0..		
		 <b>BOSCH</b>	* Robert Bosch Power Tools GmbH (PT/ECS) 70538 Stuttgart GERMANY
		Henk Becker Executive Vice President Engineering and Manufacturing	Helmut Heinzelmann Head of Product Certification
			
		Robert Bosch Power Tools GmbH, 70538 Stuttgart, GERMANY Stuttgart, 25.01.2019	