

Robert Bosch Power Tools GmbH
70538 Stuttgart
GERMANY

www.bosch-pt.com

1 609 92A 4EE (2018.10) 0 / 60



1 609 92A 4EE

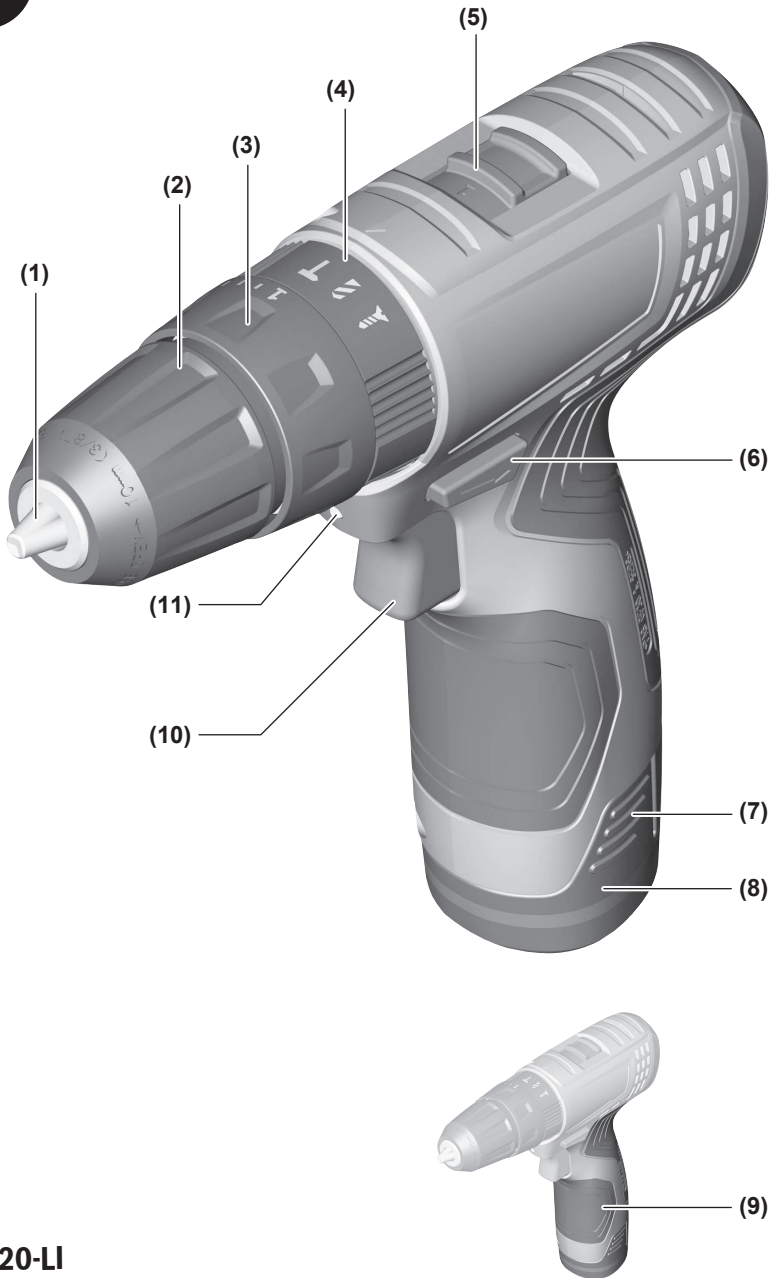
GSB | GSR Professional

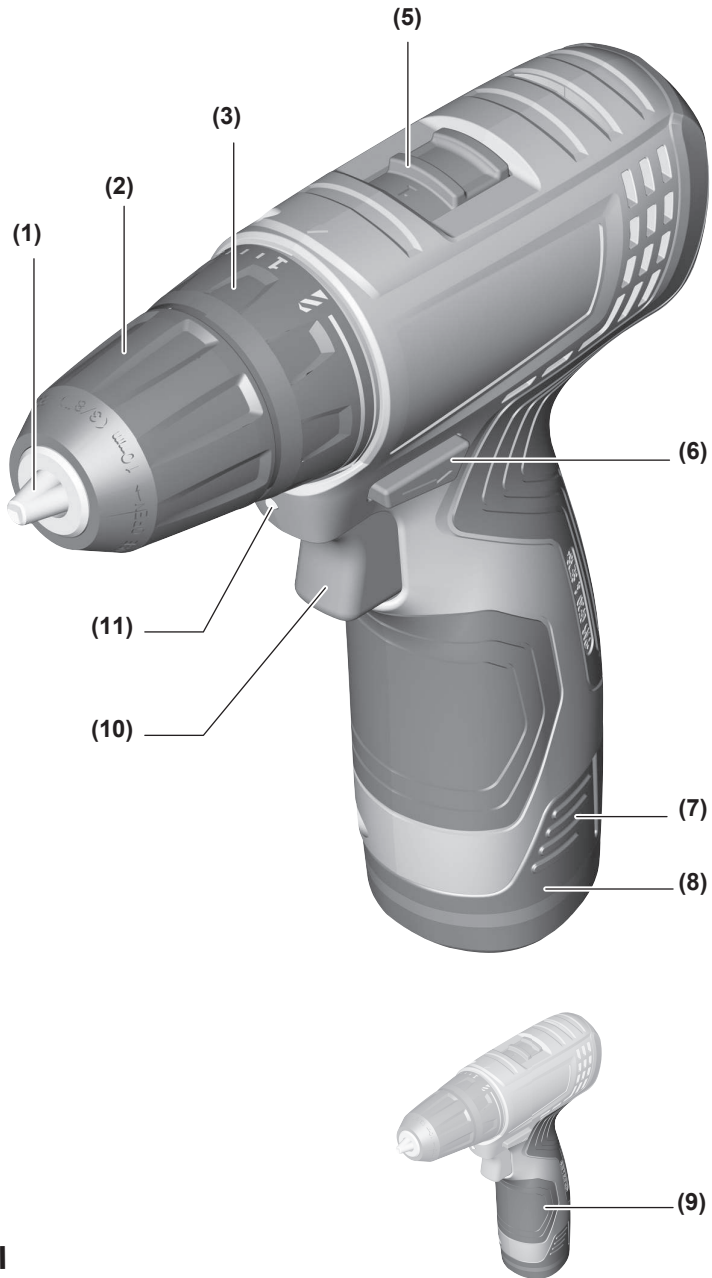
120-LI

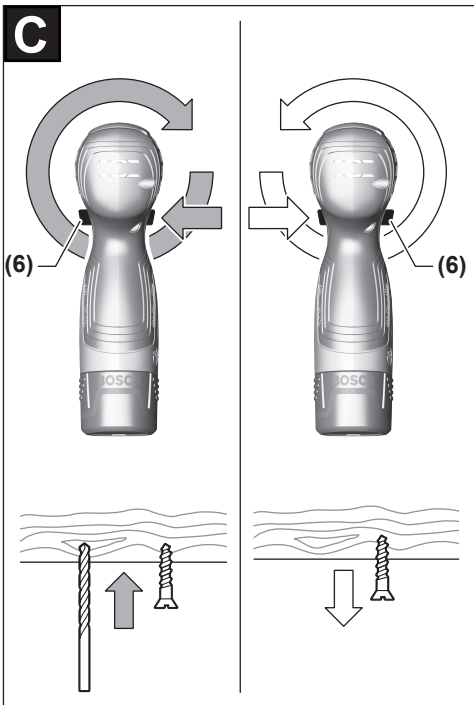
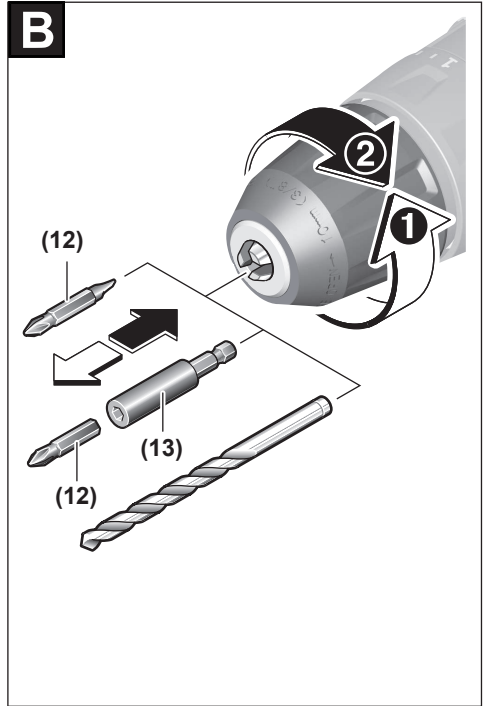
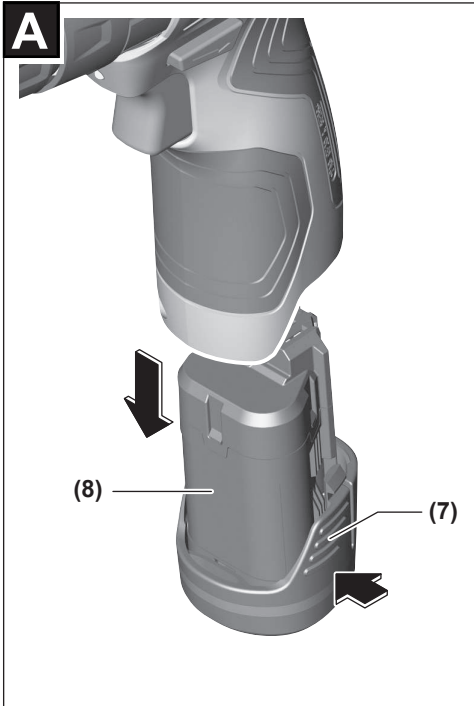


- en Original instructions
- fr Notice originale
- pt Manual original
- zh 正本使用说明书
- zh 原始使用說明書
- th หนังสือคู่มือการใช้งานฉบับต้นแบบ
- id Petunjuk-Petunjuk untuk Penggunaan Orisinal
- vi Bản gốc hướng dẫn sử dụng
- ar دليل التشغيل الأصلي
- fa دفترچه راهنمای اصلی

English	page	6
Français	Page	11
Português	Página	16
中文	页	21
繁體中文	頁	26
ไทย	หน้า	30
Bahasa Indonesia	Halaman	36
Tiếng Việt	Trang	41
عربي	الصفحة	47
آفارسى	صفحه	53

**GSB 120-LI**

**GSR 120-LI**



English

Safety instructions

General Power Tool Safety Warnings

⚠ WARNING Read all safety warnings and all instructions. Failure to follow the warnings and instructions may result in electric shock, fire and/or serious injury.

Save all warnings and instructions for future reference.

The term "power tool" in the warnings refers to your mains-operated (corded) power tool or battery-operated (cordless) power tool.

Work area safety

- ▶ **Keep work area clean and well lit.** Cluttered or dark areas invite accidents.
- ▶ **Do not operate power tools in explosive atmospheres, such as in the presence of flammable liquids, gases or dust.** Power tools create sparks which may ignite the dust or fumes.
- ▶ **Keep children and bystanders away while operating a power tool.** Distractions can cause you to lose control.

Electrical safety

- ▶ **Power tool plugs must match the outlet. Never modify the plug in any way. Do not use any adapter plugs with earthed (grounded) power tools.** Unmodified plugs and matching outlets will reduce risk of electric shock.
- ▶ **Avoid body contact with earthed or grounded surfaces, such as pipes, radiators, ranges and refrigerators.** There is an increased risk of electric shock if your body is earthed or grounded.
- ▶ **Do not expose power tools to rain or wet conditions.** Water entering a power tool will increase the risk of electric shock.
- ▶ **Do not abuse the cord. Never use the cord for carrying, pulling or unplugging the power tool. Keep cord away from heat, oil, sharp edges or moving parts.** Damaged or entangled cords increase the risk of electric shock.
- ▶ **When operating a power tool outdoors, use an extension cord suitable for outdoor use.** Use of a cord suitable for outdoor use reduces the risk of electric shock..
- ▶ **If operating a power tool in a damp location is unavoidable, use a residual current device (RCD) protected supply.** Use of an RCD reduces the risk of electric shock.

Personal safety

- ▶ **Stay alert, watch what you are doing and use common sense when operating a power tool. Do not use a power tool while you are tired or under the influence of drugs, alcohol or medication.** A moment of inattention while operating power tools may result in serious personal injury.

- ▶ **Use personal protective equipment. Always wear eye protection.** Protective equipment such as dust mask, non-skid safety shoes, hard hat, or hearing protection used for appropriate conditions will reduce personal injuries.
- ▶ **Prevent unintentional starting. Ensure the switch is in the off-position before connecting to power source and/or battery pack, picking up or carrying the tool.** Carrying power tools with your finger on the switch or engaging power tools that have the switch on invites accidents.
- ▶ **Remove any adjusting key or wrench before turning the power tool on.** A wrench or a key left attached to a rotating part of the power tool may result in personal injury.
- ▶ **Do not overreach. Keep proper footing and balance at all times.** This enables better control of the power tool in unexpected situations.
- ▶ **Dress properly. Do not wear loose clothing or jewellery. Keep your hair, clothing and gloves away from moving parts.** Loose clothes, jewellery or long hair can be caught in moving parts.
- ▶ **If devices are provided for the connection of dust extraction and collection facilities, ensure these are connected and properly used.** Use of dust collection can reduce dust-related hazards.

Power tool use and care

- ▶ **Do not force the power tool. Use the correct power tool for your application.** The correct power tool will do the job better and safer at the rate for which it was designed.
- ▶ **Do not use the power tool if the switch does not turn it on and off.** Any power tool that cannot be controlled with the switch is dangerous and must be repaired.
- ▶ **Disconnect the plug from the power source and/or the battery pack from the power tool before making any adjustments, changing accessories, or storing power tools.** Such preventive safety measures reduce the risk of starting the power tool accidentally.
- ▶ **Store idle power tools out of the reach of children and do not allow persons unfamiliar with the power tool or these instructions to operate the power tool.** Power tools are dangerous in the hands of untrained users.
- ▶ **Maintain power tools. Check for misalignment or binding of moving parts, breakage of parts and any other condition that may affect the power tool's operation. If damaged, have the power tool repaired before use.** Many accidents are caused by poorly maintained power tools.
- ▶ **Keep cutting tools sharp and clean.** Properly maintained cutting tools with sharp cutting edges are less likely to bind and are easier to control.
- ▶ **Use the power tool, accessories and tool bits etc. in accordance with these instructions, taking into account the working conditions and the work to be per-**

formed. Use of the power tool for operations different from those intended could result in a hazardous situation.

Battery tool use and care

- ▶ **Recharge only with the charger specified by the manufacturer.** A charger that is suitable for one type of battery pack may create a risk of fire when used with another battery pack.
- ▶ **Use power tools only with specifically designated battery packs.** Use of any other battery packs may create a risk of injury and fire.
- ▶ **When battery pack is not in use, keep it away from other metal objects, like paper clips, coins, keys, nails, screws or other small metal objects, that can make a connection from one terminal to another.** Shorting the battery terminals together may cause burns or a fire.
- ▶ **Under abusive conditions, liquid may be ejected from the battery; avoid contact. If contact accidentally occurs, flush with water. If liquid contacts eyes, additionally seek medical help.** Liquid ejected from the battery may cause irritation or burns.

Service

- ▶ **Have your power tool serviced by a qualified repair person using only identical replacement parts.** This will ensure that the safety of the power tool is maintained.

Safety information for drills and screwdrivers

- ▶ **Wear ear protectors when impact drilling.** Exposure to noise can cause hearing loss.
- ▶ **Use auxiliary handle(s), if supplied with the tool.** Loss of control can cause personal injury.
- ▶ **Use suitable detectors to determine if there are hidden supply lines or contact the local utility company for assistance.** Contact with electric cables can cause fire and electric shock. Damaging gas lines can lead to explosion. Breaking water pipes causes property damage.
- ▶ **Hold power tool by insulated gripping surfaces when performing an operation where the cutting accessory or the fastener may contact hidden wiring.** Cutting accessory and fasteners contacting a "live" wire may make exposed metal parts of the power tool "live" and could give the operator an electric shock.
- ▶ **Hold the power tool securely.** When tightening and loosening screws be prepared for temporarily high torque reactions.
- ▶ **Secure the workpiece.** A workpiece clamped with clamping devices or in a vice is held more secure than by hand.
- ▶ **Always wait until the power tool has come to a complete stop before placing it down.** The application tool can jam and cause you to lose control of the power tool.
- ▶ **In case of damage and improper use of the battery, vapours may be emitted.** Ensure the area is well-ventilated

and seek medical attention should you experience any adverse effects. The vapours may irritate the respiratory system.

- ▶ **Do not open the battery.** There is a risk of short-circuiting.
- ▶ **The battery can be damaged by pointed objects such as nails or screwdrivers or by force applied externally.** An internal short circuit may occur, causing the battery to burn, smoke, explode or overheat.
- ▶ **Only use the battery with products from the manufacturer.** This is the only way in which you can protect the battery against dangerous overload.



Protect the battery against heat, e.g. against continuous intense sunlight, fire, water, and moisture. There is a risk of explosion.

Product Description and Specifications



Read all the safety and general instructions.

Failure to observe the safety and general instructions may result in electric shock, fire and/or serious injury.

Please observe the illustrations at the beginning of this operating manual.

Intended use

The power tool is intended for driving and loosening screws and for drilling in wood, metal, ceramic and plastic. The GSB is also designed for impact drilling in brick, concrete and stone.

Product Features

The numbering of the product features refers to the diagram of the power tool on the graphics page.

- (1) Tool holder
- (2) Keyless chuck
- (3) Torque presetting ring
- (4) Mode selector switch (GSB 120-LI)
- (5) Gear selector switch
- (6) Rotational direction switch
- (7) Battery release button ^{A)}
- (8) Battery ^{A)}
- (9) Handle (insulated gripping surface)
- (10) On/off switch
- (11) "PowerLight"
- (12) Screwdriver bit^{A)}
- (13) Universal bit holder ^{A)}

A) Accessories shown or described are not included with the product as standard. You can find the complete selection of accessories in our accessories range.

Technical Data

Cordless screwdriver		GSR 120-LI	GSB 120-LI
Article number		3 601 JG8 0..	3 601 JG8 1..
Rated voltage	V =	12	12
No-load speed			
– First gear	rpm	0–400	0–400
– Second gear	rpm	0–1500	0–1500
Weight according to EPTA-Procedure 01:2014	kg	0.97	1.1
Permitted ambient temperature			
– during charging	°C	0... +45	0... +45
– during operation ^{A)} and during storage	°C	–20 to +50	–20 to +50
Recommended batteries		GBA 12V..	GBA 12V..
Recommended chargers		GAL 12..CV GAL 12V..	GAL 12..CV GAL 12V..

A) Limited performance at temperatures <0 °C

Assembly

- ▶ **Remove the battery from the power tool before carrying out work on the power tool (e.g. maintenance, changing tool, etc.). The battery should also be removed for transport and storage.** There is risk of injury from unintentionally pressing the on/off switch.

Removing the battery (see figure A)

- ▶ **Use only the chargers listed on the accessories page.** Only these chargers are matched to the lithium-ion battery of your power tool.

Note: The battery is supplied partially charged. To ensure full battery capacity, fully charge the battery in the charger before using your power tool for the first time.

The lithium-ion battery can be charged at any time without reducing its service life. Interrupting the charging process does not damage the battery.

The lithium-ion battery is protected against deep discharge by the Electronic Cell Protection (ECP). A protective circuit switches the cordless dust extractor off when the battery is drained.

- ▶ **Do not continue to press the On/Off switch after the power tool has automatically switched off.** The battery can be damaged.

To remove the battery (8), press the release button (7) and pull the battery downwards out of the power tool. **Do not use force to do this.**

Follow the instructions on correct disposal.

Changing the tool (see figure B)

The drill spindle is locked when the on/off switch (10) is not pressed. This makes it possible to change the application tool in the drill chuck quickly, conveniently and easily.

Open the keyless chuck (2) by turning it in the direction of rotation ① until the tool can be inserted. Insert the tool.

Firmly tighten the sleeve of the keyless chuck (2) by turning it by hand in the direction of rotation ② until it audibly clicks into place. This will automatically lock the drill chuck.

The lock will disengage again if you turn the sleeve in the opposite direction to remove the tool.

Dust/Chip Extraction

Dust from materials such as lead-containing coatings, some wood types, minerals and metal can be harmful to one's health. Touching or breathing-in the dust can cause allergic reactions and/or lead to respiratory infections of the user or bystanders.

Certain dust, such as oak or beech dust, is considered carcinogenic, especially in connection with wood-treatment additives (chromate, wood preservative). Materials containing asbestos may only be worked by specialists.

- Provide for good ventilation of the working place.
- It is recommended to wear a P2 filter-class respirator.

Observe the relevant regulations in your country for the materials to be worked.

- ▶ **Avoid dust accumulation at the workplace.** Dust can easily ignite.

Operation

Starting Operation

Inserting the battery

Note: The use of batteries unsuitable for your power tool can lead to malfunctions or damage to the power tool.

Set the rotational direction switch (6) to the middle position to avoid unintentionally switching it on. Insert the charged battery (8) into the handle until you feel it engage and it is flush with the handle.

Setting the rotational direction (see figure C)

The rotational direction switch (6) is used to change the rotational direction of the power tool. However, this is not possible while the on/off switch (10) is being pressed.

Right rotation: To drill and to drive in screws, press the rotational direction switch (6) through to the left stop.

Left Rotation: To loosen and unscrew screws and nuts, press the rotational direction switch (6) through to the right stop.

Setting the Operating Mode



Drilling

GSR 120-LI:

Set the torque selector setting ring (3) to the "drilling" symbol.

GSB 120-LI:

Set the mode selector switch (4) to the "drilling" symbol.



Screwdriving

GSR 120-LI:

Set the torque selector setting ring (3) to the required torque.

GSB 120-LI:

Set the mode selector switch (4) to the "screw-driving" symbol.

Set the torque selector setting ring (3) to the required torque.




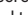
Impact drilling

GSB 120-LI:

Set the mode selector switch (4) to the "impact drilling" symbol.

Preselecting the Torque

The torque presetting ring (3) can be used to preselect the required torque in 20 stages. When the correct setting is used, the application tool will be stopped when the screw is driven flush into the material or once the set torque has been reached. In position  the overload clutch is deactivated, e.g. for drilling.

When unscrewing screws, you can select a higher setting or set the tool to the  symbol.

Mechanical gear selection

► **Only operate the gear selector (5) when the power tool is not in use.**

You can preselect two speed ranges with the gear selector (5).

Gear I:

Low speed range; for screwdriving or working with a large drilling diameter.

Gear II:

High speed range; for working with a small drilling diameter.

If the gear selector switch (5) cannot be pushed all the way, turn the tool holder (1) with the application tool slightly.

Switching on/off

To **start** the power tool, press and hold the on/off switch (10).

The lamp (11) lights up when the on/off switch (10) is lightly or fully pressed, meaning that the work area is illuminated in poor lighting conditions.

To **switch off** the power tool, release the on/off switch (10).

Adjusting the Speed

You can adjust the speed of the power tool when it is on by pressing in the on/off switch (10) to varying extents.

A light pressure on the on/off switch (10) results in a low rotational speed. Increased pressure on the switch causes an increase in speed.

Setting the speed/impact rate (GSB 120-LI)

You can adjust the speed/impact rate of the power tool when it is on by pressing in the on/off switch (10) to varying extents.

Applying light pressure to the on/off switch (10) results in a low rotational speed/impact rate. Applying increasing pressure to the switch increases the speed/impact rate.

Fully automatic spindle lock (Auto-Lock)

The drill spindle, and therefore the tool holder, are locked when the on/off switch (10) is not pressed.

This allows screws to be driven in even when the battery is discharged and enables the power tool to be used as a screwdriver.

Run-out brake

Upon releasing the on/off switch (10), the drill chuck is slowed down, which prevents the application tool from continuing to rotate.

When driving in screws, you should therefore only release the on/off switch (10) once the screw has been inserted flush into the workpiece. This way, the head of screw will not penetrate the workpiece.

Temperature-dependent overload protection

In normal conditions of use, the power tool cannot be overloaded. In the event of heaving loading or the temperature rising/falling outside the permitted battery temperature range, the speed will be reduced. The power tool will not run at full speed again until the permitted battery temperature has been reached.

Practical advice

► **Only apply the power tool to the screw/nut when the tool is switched off.** Rotating tool inserts can slip off.

After working at a low speed for an extended period, you should operate the power tool at the maximum speed for approximately three minutes without load to cool it down.

When drilling into metal, only use sharpened HSS drills (HSS = high-speed steel) which are in perfect condition. The Bosch accessory range guarantees appropriate quality.

Before screwing larger, longer screws into hard materials, it is advisable to pre-drill a pilot hole with the core diameter of the thread to approx. 2/3 of the screw length.

Maintenance and Servicing

Maintenance and Cleaning

- ▶ **Remove the battery from the power tool before carrying out work on the power tool (e.g. maintenance, changing tool, etc.). The battery should also be removed for transport and storage.** There is risk of injury from unintentionally pressing the on/off switch.
- ▶ **To ensure safe and efficient operation, always keep the power tool and the ventilation slots clean.**

After-sales service and advice on using products

Our after-sales service responds to your questions concerning maintenance and repair of your product as well as spare parts. You can find explosion drawings and information on spare parts at: www.bosch-pt.com

The Bosch product use advice team will be happy to help you with any questions about our products and their accessories.

In all correspondence and spare parts orders, please always include the 10-digit article number given on the nameplate of the product.

Great Britain

Robert Bosch Ltd. (B.S.C.)
P.O. Box 98
Broadwater Park
North Orbital Road
Denham Uxbridge
UB 9 5HJ

At www.bosch-pt.co.uk you can order spare parts or arrange the collection of a product in need of servicing or repair.

Tel. Service: (0344) 7360109

E-Mail: boschservicecentre@bosch.com

Ireland

Origo Ltd.
Unit 23 Magna Drive
Magna Business Park
City West
Dublin 24
Tel. Service: (01) 4666700
Fax: (01) 4666888

Australia, New Zealand and Pacific Islands

Robert Bosch Australia Pty. Ltd.
Power Tools
Locked Bag 66
Clayton South VIC 3169
Customer Contact Center
Inside Australia:
Phone: (01300) 307044
Fax: (01300) 307045

Inside New Zealand:
Phone: (0800) 543353
Fax: (0800) 428570

Outside AU and NZ:
Phone: +61 3 95415555
www.bosch-pt.com.au
www.bosch-pt.co.nz

Republic of South Africa

Customer service

Hotline: (011) 6519600

Gauteng – BSC Service Centre

35 Roper Street, New Centre
Johannesburg
Tel.: (011) 4939375
Fax: (011) 4930126
E-mail: bsctools@icon.co.za

KZN – BSC Service Centre

Unit E, Almar Centre
143 Crompton Street
Pinetown
Tel.: (031) 7012120
Fax: (031) 7012446
E-mail: bsc.dur@za.bosch.com

Western Cape – BSC Service Centre

Democracy Way, Prosperity Park
Milnerton
Tel.: (021) 5512577
Fax: (021) 5513223
E-mail: bsc@zsd.co.za

Bosch Headquarters

Midrand, Gauteng
Tel.: (011) 6519600
Fax: (011) 6519880
E-mail: rbsa-hq.pts@za.bosch.com

Transport

The contained lithium-ion batteries are subject to the Dangerous Goods Legislation requirements. The batteries are suitable for road-transport by the user without further restrictions.

When shipping by third parties (e.g.: by air transport or forwarding agency), special requirements on packaging and labelling must be observed. For preparation of the item being shipped, consulting an expert for hazardous material is required.

Dispatch battery packs only when the housing is undamaged. Tape or mask off open contacts and pack up the battery in such a manner that it cannot move around in the packaging. Please also observe the possibility of more detailed national regulations.

Disposal



The machine, rechargeable batteries, accessories and packaging should be sorted for environmental-friendly recycling.



Do not dispose of power tools and batteries/rechargeable batteries into household waste!

Only for EU countries:

According to the Directive 2012/19/EU, power tools that are no longer usable, and according to the Directive 2006/66/EC, defective or used battery packs/batteries, must be collected separately and disposed of in an environmentally correct manner.

Battery packs/batteries:

Li-ion:

Please observe the notes in the section on transport (see "Transport", page 10).

Français

Consignes de sécurité

Avertissements de sécurité généraux pour l'outil

⚠ AVERTISSEMENT Lire tous les avertissements de sécurité et toutes les instructions.

Ne pas suivre les avertissements et instructions peut donner lieu à un choc électrique, un incendie et/ou une blessure sérieuse.

Conserv^{er} tous les avertissements et toutes les instructions pour pouvoir s'y reporter ultérieurement.

Le terme «outil» dans les avertissements fait référence à votre outil électrique alimenté par le secteur (avec cordon d'alimentation) ou votre outil fonctionnant sur batterie (sans cordon d'alimentation).

Sécurité de la zone de travail

- ▶ **Conserv^{er} la zone de travail propre et bien éclairée.** Les zones en désordre ou sombres sont propices aux accidents.
- ▶ **Ne pas faire fonctionner les outils électriques en atmosphère explosive, par exemple en présence de liquides inflammables, de gaz ou de poussières.** Les outils électriques produisent des étincelles qui peuvent enflammer les poussières ou les fumées.
- ▶ **Maintenir les enfants et les personnes présentes à l'écart pendant l'utilisation de l'outil.** Les distractions peuvent vous faire perdre le contrôle de l'outil.

Sécurité électrique

- ▶ **Il faut que les fiches de l'outil électrique soient adaptées au socle. Ne jamais modifier la fiche de quelque façon que ce soit. Ne pas utiliser d'adaptateurs avec des outils à branchement de terre.** Des fiches non modifiées et des socles adaptés réduiront le risque de choc électrique.
- ▶ **Éviter tout contact du corps avec des surfaces reliées à la terre telles que les tuyaux, les radiateurs, les cui-**

siniers et les réfrigérateurs. Il existe un risque accru de choc électrique si votre corps est relié à la terre.

- ▶ **Ne pas exposer les outils à la pluie ou à des conditions humides.** La pénétration d'eau à l'intérieur d'un outil augmentera le risque de choc électrique.
- ▶ **Ne pas maltraiter le cordon. Ne jamais utiliser le cordon pour porter, tirer ou débrancher l'outil. Maintenir le cordon à l'écart de la chaleur, du lubrifiant, des arêtes ou des parties en mouvement.** Des cordons endommagés ou emmêlés augmentent le risque de choc électrique.
- ▶ **Lorsqu'on utilise un outil à l'extérieur, utiliser un prolongateur adapté à l'utilisation extérieure.** L'utilisation d'un cordon adapté à l'utilisation extérieure réduit le risque de choc électrique.
- ▶ **Si l'usage d'un outil dans un emplacement humide est inévitable, utiliser une alimentation protégée par un dispositif à courant différentiel résiduel (RCD).** L'usage d'un RCD réduit le risque de choc électrique.

Sécurité des personnes

- ▶ **Rester vigilant, regarder ce que vous êtes en train de faire et faire preuve de bon sens dans votre utilisation de l'outil. Ne pas utiliser un outil lorsque vous êtes fatigué ou sous l'emprise de drogues, d'alcool ou de médicaments.** Un moment d'inattention en cours d'utilisation d'un outil peut entraîner des blessures graves des personnes.
- ▶ **Utiliser un équipement de sécurité. Toujours porter une protection pour les yeux.** Les équipements de sécurité tels que les masques contre les poussières, les chaussures de sécurité antidérapantes, les casques ou les protections acoustiques utilisés pour les conditions appropriées réduiront les blessures de personnes.
- ▶ **Éviter tout démarrage intempestif. S'assurer que l'interrupteur est en position arrêt avant de brancher l'outil au secteur et/ou au bloc de batteries, de le ramasser ou de le porter.** Porter les outils en ayant le doigt sur l'interrupteur ou brancher des outils dont l'interrupteur est en position marche est source d'accidents.
- ▶ **Retirer toute clé de réglage avant de mettre l'outil en marche.** Une clé laissée fixée sur une partie tournante de l'outil peut donner lieu à des blessures de personnes.
- ▶ **Ne pas se précipiter. Garder une position et un équilibre adaptés à tout moment.** Cela permet un meilleur contrôle de l'outil dans des situations inattendues.
- ▶ **S'habiller de manière adaptée. Ne pas porter de vêtements amples ou de bijoux. Garder les cheveux, les vêtements et les gants à distance des parties en mouvement.** Des vêtements amples, des bijoux ou les cheveux longs peuvent être pris dans des parties en mouvement.
- ▶ **Si des dispositifs sont fournis pour le raccordement d'équipements pour l'extraction et la récupération des poussières, s'assurer qu'ils sont connectés et correctement utilisés.** Utiliser des collecteurs de poussière peut réduire les risques dus aux poussières.

Utilisation et entretien de l'outil

- ▶ **Ne pas forcer l'outil. Utiliser l'outil adapté à votre application.** L'outil adapté réalisera mieux le travail et de manière plus sûre au régime pour lequel il a été construit.
- ▶ **Ne pas utiliser l'outil si l'interrupteur ne permet pas de passer de l'état de marche à arrêt et vice versa.** Tout outil qui ne peut pas être commandé par l'interrupteur est dangereux et il faut le réparer.
- ▶ **Débrancher la fiche de la source d'alimentation en courant et/ou le bloc de batteries de l'outil avant tout réglage, changement d'accessoires ou avant de ranger l'outil.** De telles mesures de sécurité préventives réduisent le risque de démarrage accidentel de l'outil.
- ▶ **Conserver les outils à l'arrêt hors de la portée des enfants et ne pas permettre à des personnes ne connaissant pas l'outil ou les présentes instructions de le faire fonctionner.** Les outils sont dangereux entre les mains d'utilisateurs novices.
- ▶ **Observer la maintenance de l'outil. Vérifier qu'il n'y a pas de mauvais alignement ou de blocage des parties mobiles, des pièces cassées ou toute autre condition pouvant affecter le fonctionnement de l'outil. En cas de dommages, faire réparer l'outil avant de l'utiliser.** De nombreux accidents sont dus à des outils mal entretenus.
- ▶ **Garder affûtés et propres les outils permettant de couper.** Des outils destinés à couper correctement entretenus avec des pièces coupantes tranchantes sont moins susceptibles de bloquer et sont plus faciles à contrôler.
- ▶ **Utiliser l'outil, les accessoires et les lames etc., conformément à ces instructions, en tenant compte des conditions de travail et du travail à réaliser.** L'utilisation de l'outil pour des opérations différentes de celles prévues pourrait donner lieu à des situations dangereuses.

Utilisation des outils fonctionnant sur batteries et précautions d'emploi

- ▶ **Ne recharger qu'avec le chargeur spécifié par le fabricant.** Un chargeur qui est adapté à un type de bloc de batteries peut créer un risque de feu lorsqu'il est utilisé avec un autre type de bloc de batteries.
- ▶ **N'utiliser les outils qu'avec des blocs de batteries spécifiquement désignés.** L'utilisation de tout autre bloc de batteries peut créer un risque de blessure et de feu.
- ▶ **Lorsqu'un bloc de batteries n'est pas utilisé, le maintenir à l'écart de tout autre objet métallique, par exemple trombones, pièces de monnaie, clés, clous, vis ou autres objets de petite taille qui peuvent donner lieu à une connexion d'une borne à une autre.** Le court-circuitage des bornes d'une batterie entre elles peut causer des brûlures ou un feu.
- ▶ **Dans de mauvaises conditions, du liquide peut être éjecté de la batterie; éviter tout contact. En cas de contact accidentel, nettoyer à l'eau. Si le liquide entre en contact avec les yeux, rechercher en plus une aide**

médicale. Le liquide éjecté des batteries peut causer des irritations ou des brûlures.

Maintenance et entretien

- ▶ **Faire entretenir l'outil par un réparateur qualifié utilisant uniquement des pièces de rechange identiques.** Cela assurera que la sécurité de l'outil est maintenue.

Consignes de sécurité pour perceuses et visseuses

- ▶ **Porter des protecteurs d'oreilles lors du perçage avec des perceuses à percussion.** L'exposition aux bruits peut provoquer une perte de l'audition.
- ▶ **Utiliser la(les) poignée(s) auxiliaire(s) fournie(s) avec l'outil.** La perte de contrôle peut provoquer des blessures.
- ▶ **Utilisez un détecteur approprié pour vérifier s'il n'y a pas de conduites cachées ou contactez votre société de distribution d'eau locale.** Tout contact avec des câbles électriques peut provoquer un incendie ou un choc électrique. Tout endommagement d'une conduite de gaz peut provoquer une explosion. La perforation d'une conduite d'eau provoque des dégâts matériels.
- ▶ **Tenir l'outil par les surfaces de préhension isolées, lors de la réalisation d'une opération au cours de laquelle l'organe de coupe ou le dispositif de serrage peut entrer en contact avec un câblage non apparent.** Le contact avec un fil "sous tension" peut également mettre "sous tension" les parties métalliques exposées de l'outil électrique et provoquer un choc électrique sur l'opérateur.
- ▶ **Maintenez bien l'outil électroportatif en place.** Lors du serrage ou du desserrage des vis, des couples de réaction élevés peuvent survenir en peu de temps.
- ▶ **Bloquez la pièce à travailler.** Une pièce à travailler serrée par des dispositifs de serrage appropriés ou dans un étau est fixée de manière plus sûre que quand elle est tenue avec une main.
- ▶ **Avant de poser l'outil électroportatif, attendez que celui-ci soit complètement à l'arrêt.** L'outil risque de se coincer, ce qui entraînerait une perte de contrôle de l'outil électroportatif.
- ▶ **Si l'accu est endommagé ou utilisé de manière non conforme, des vapeurs peuvent s'échapper.** Ventilez le local et consultez un médecin en cas de malaise. Les vapeurs peuvent entraîner des irritations des voies respiratoires.
- ▶ **N'ouvrez pas l'accu.** Risque de court-circuit.
- ▶ **Les objets pointus comme un clou ou un tournevis et le fait d'exercer une force extérieure sur le boîtier risque d'endommager l'accu.** Il peut en résulter un court-circuit interne et l'accu risque de s'enflammer, de dégager des fumées, d'exploser ou de surchauffer.
- ▶ **N'utilisez l'accu qu'avec des produits du fabricant.** Tout risque de surcharge dangereuse sera alors exclu.



Conservez l'accu à l'abri de la chaleur (ensoleillement direct, flamme), de l'eau et de l'humidité. Il y a sinon risque d'explosion.

Description des prestations et du produit



Lisez attentivement toutes les instructions et consignes de sécurité. Le non-respect des instructions et consignes de sécurité peut provoquer un choc électrique, un incendie et/ou entraîner de graves blessures.

Référez-vous aux illustrations qui se trouvent à l'avant de la notice d'utilisation.

Utilisation conforme

L'outil électroportatif est conçu pour le vissage et le dévissage de vis ainsi que pour le perçage dans le bois, le métal, la céramique et les matières plastiques. La GSB est également conçue pour le perçage à percussion dans la brique, le béton et la pierre naturelle.

Éléments constitutifs

La numérotation des éléments de l'appareil se réfère à la représentation de l'outil électroportatif sur la page graphique.

- (1) Porte-outil
- (2) Mandrin automatique
- (3) Bague de présélection du couple
- (4) Sélecteur de mode (GSB 120-LI)
- (5) Sélecteur de vitesse
- (6) Sélecteur de sens de rotation
- (7) Touche de déverrouillage d'accu^{A)}
- (8) Accu^{A)}
- (9) Poignée (surface de préhension isolée)
- (10) Interrupteur Marche/Arrêt
- (11) Éclairage « PowerLight »
- (12) Embout de vissage^{A)}
- (13) Porte-embout universel^{A)}

A) Les accessoires décrits ou illustrés ne sont pas tous compris dans la fourniture. Vous trouverez les accessoires complets dans notre gamme d'accessoires.

Caractéristiques techniques

Visseuse sans fil		GSR 120-LI	GSB 120-LI
Référence		3 601 JG8 0..	3 601 JG8 1..
Tension nominale	V=	12	12
Régime à vide			
– 1re vitesse	osc/min	0 - 400	0 - 400
– 2e vitesse	osc/min	0 - 1500	0 - 1500
Poids selon EPTA-Procédure 01:2014	kg	0,97	1,1
Températures ambiantes admissibles			
– pendant la charge	°C	0... +45	0... +45
– pendant le fonctionnement ^{A)} et pour le stockage	°C	-20... +50	-20... +50
Accus recommandés		GBA 12V..	GBA 12V..
Chargeurs recommandés		GAL 12..CV GAL 12V..	GAL 12..CV GAL 12V..

A) Performances réduites à des températures <0 °C

Montage

- **Retirez l'accu de l'appareil électroportatif avant toute intervention (opérations d'entretien/de maintenance, changement d'accessoire, etc.) ainsi que lors de son transport et rangement.** Il y a sinon risque de blessure lorsqu'on appuie par mégarde sur l'interrupteur Marche/Arrêt.

Retrait de l'accu (voir figure A)

- **N'utilisez que les chargeurs indiqués à la page Accessoires.** Seuls ces chargeurs sont adaptés à l'accu Lithium-Ion de votre outil électroportatif.

Remarque : L'accu est fourni partiellement chargé. Pour que l'accu soit pleinement performant, chargez-le complètement dans le chargeur avant la première utilisation.

L'accu Lithium-ion peut être rechargé à tout moment, sans que sa durée de vie n'en soit réduite. Le fait d'interrompre le processus de charge n'endommage pas l'accu.

L'accu Lithium-ion est protégé contre une décharge complète par l'électronique de protection des cellules (ECP). Quand l'accu est déchargé, un circuit de protection désactive automatiquement l'aspirateur sans-fil.

- **Après l'arrêt automatique de l'outil électroportatif, n'appuyez plus sur l'interrupteur Marche/Arrêt.** L'accu pourrait être endommagé.

Pour retirer l'accu (8), appuyez sur la touche de déverrouillage (7) et sortez l'accu par le bas. **Ne forcez pas.** Respectez les indications concernant l'élimination.

Changement d'accessoire (voir figure B)

Lorsque l'interrupteur Marche/Arrêt (10) n'est pas actionné, la broche de perçage est bloquée. Cela permet de changer facilement et rapidement l'accessoire de travail qui se trouve dans le mandrin.

Ouvrez le mandrin automatique (2) en le tournant dans le sens ① jusqu'à ce que l'accessoire puisse être inséré. Insérez l'accessoire de travail.

Tournez fermement à la main la bague du mandrin automatique (2) dans le sens ② jusqu'à entendre un clic. Le mandrin se verrouille alors automatiquement.

Le mandrin se déverrouille lorsque la douille est tournée en sens inverse afin d'enlever l'accessoire.

Aspiration de poussières/de copeaux

Les poussières de matériaux tels que peintures contenant du plomb, certains bois, minéraux ou métaux, peuvent être nuisibles à la santé. Entrer en contact ou aspirer les poussières peut entraîner des réactions allergiques et/ou des maladies respiratoires auprès de l'utilisateur ou de personnes se trouvant à proximité.

Certaines poussières telles que les poussières de chêne ou de hêtre sont considérées comme cancérogènes, surtout en association avec des additifs pour le traitement du bois (chromate, lazure). Les matériaux contenant de l'amiante ne doivent être travaillés que par des personnes qualifiées.

- Veillez à bien aérer la zone de travail.
- Il est recommandé de porter un masque respiratoire avec un niveau de filtration de classe P2.

Respectez les règlements spécifiques aux matériaux à traiter en vigueur dans votre pays

► **Évitez toute accumulation de poussières sur le lieu de travail.** Les poussières peuvent facilement s'enflammer.

Mise en marche

Mise en marche

Montage de l'accu

Remarque : L'utilisation d'accus non conçus pour votre outil électroportatif peut entraîner des dysfonctionnements ou endommager l'outil électroportatif.

Mettez le sélecteur de sens de rotation (6) en position médiane pour éviter toute mise en marche non-intentionnelle. Montez l'accu chargé (8) dans la poignée jusqu'à ce qu'il s'encliquette de façon perceptible et affleure avec la poignée.

Sélection du sens de rotation (voir figure C)

Le sélecteur de sens de rotation (6) permet d'inverser le sens de rotation de l'outil électroportatif. Cela n'est toutefois pas possible lorsqu'on appuie sur l'interrupteur Marche/Arrêt (10).

Rotation droite : Pour percer et visser, poussez le sélecteur de sens de rotation (6) à fond vers la gauche.

Rotation gauche : Pour desserrer ou dévisser des vis et des écrous, actionnez le sélecteur de sens de rotation (6) à fond vers la droite.

Sélection du mode de fonctionnement



Perçage

GSR 120-LI :

Positionnez la bague de présélection de couple (3) sur le symbole « Perçage ».

GSB 120-LI :

Placez le sélecteur de mode (4) sur le symbole « Perçage ».



Vissage

GSR 120-LI :

Réglez le couple souhaité avec la bague de présélection de couple (3).

GSB 120-LI :

Placez le sélecteur de mode (4) sur le symbole « Vissage ».

Réglez le couple souhaité avec la bague de présélection de couple (3).




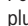
Perçage à percussion

GSR 120-LI :

Placez le sélecteur de mode (4) sur le symbole « Perçage à percussion ».

Présélection du couple

La bague de présélection de couple (3) permet de pré régler le couple dans 20 positions. En cas de réglage correct, l'accessoire de travail s'immobilise dès que la vis arrive au ras de la surface ou que le couple présélectionné est atteint. Dans la position , le limiteur de couple est désactivé, par ex. pour le perçage.

Pour dévisser les vis, choisissez éventuellement un réglage plus élevé ou réglez le sélecteur de mode sur le symbole .

Sélection mécanique de la vitesse

► **N'actionnez le sélecteur de vitesse (5) que quand l'outil électroportatif est à l'arrêt.**

Le sélecteur de vitesse (5) permet de présélectionner 2 plages de vitesse de rotation.

Vitesse I :

Plage de basses vitesses ; pour le vissage ou pour les grands diamètres de perçage.

Vitesse II :

Plage de hautes vitesses ; pour les petits diamètres de perçage.

S'il n'est pas possible de pousser le sélecteur de vitesse (5) jusqu'en butée, tournez légèrement le porte-outil (1) avec l'accessoire de travail.

Mise en marche/arrêt

Pour **mettre en marche** l'outil électroportatif, actionnez l'interrupteur Marche/Arrêt (10) et maintenez-le actionné.

La lampe (11) s'allume dès que l'interrupteur Marche/Arrêt (10) est actionné. Elle permet d'éclairer la zone de travail lorsque la luminosité est mauvaise.

Pour **arrêter** l'outil électroportatif, relâchez l'interrupteur Marche/Arrêt (10).

Réglage de la vitesse de rotation

Il est possible de faire varier en continu la vitesse de rotation de l'outil électroportatif en exerçant plus ou moins de pression sur l'interrupteur Marche/Arrêt (10).

Une légère pression sur l'interrupteur Marche/Arrêt (10) produit une faible vitesse de rotation. Plus l'on exerce de pression, plus la vitesse de rotation augmente.

Régler la vitesse de rotation/fréquence de frappe (GSB 120-LI)

Vous pouvez faire varier en continu la vitesse de rotation / la fréquence de frappe de l'outil électroportatif en jouant sur la pression exercée sur l'interrupteur Marche/Arrêt (10).

Légère pression sur l'interrupteur Marche/Arrêt (10) = faible vitesse de rotation/fréquence de frappe. Plus la pression augmente, plus la vitesse de rotation/la fréquence de frappe est élevée.

Blockage automatique de la broche (Auto-Lock)

Quand l'interrupteur Marche/Arrêt (10) n'est pas actionné, la broche de perçage et donc le porte-outil sont bloqués.

Ceci permet de visser des vis même quand l'accu est déchargé, autrement dit de se servir de l'outil électroportatif comme d'un tournevis à main.

Frein d'arrêt immédiat

Dès qu'on relâche l'interrupteur Marche/Arrêt (10), le mandrin de perçage est freiné afin d'empêcher le ralentissement par inertie de l'accessoire de travail.

Lors du serrage de vis, ne relâchez l'interrupteur Marche/Arrêt (10) que lorsque la vis est encastrée dans la pièce à travailler. Ceci prévient l'enfoncement de la vis dans la pièce à travailler.

Protection contre les surcharges en cas de surchauffe

Si l'outil électroportatif est utilisé de manière conforme, tout risque de surcharge est exclu. En cas de trop forte sollicitation de l'outil ou de surchauffe de l'accu, la vitesse de rotation de l'outil électroportatif est réduite. L'outil électroportatif se remet à fonctionner à pleine vitesse dès que la température de l'accu repasse dans la plage des températures admissibles.

Instructions d'utilisation

► **Positionnez l'outil électroportatif sur la vis/sur l'écrou seulement lorsqu'il est à l'arrêt.** Un accessoire en rotation risque de glisser.

Après avoir travaillé à une petite vitesse pendant une période relativement longue, faites tourner l'outil électroporta-

tif à vide au régime maximal pendant une durée de 3 minutes environ afin de le laisser refroidir.

Lorsque vous percez du métal, n'utilisez que des forets HSS (HSS=acier à coupe rapide haute performance) sans défauts et affûtés. La gamme d'accessoires Bosch vous assure la qualité nécessaire.

Avant de visser des vis de gros diamètre ou très longues dans des matériaux durs, il est recommandé d'effectuer un préperçage au diamètre intérieur de filetage sur approximativement les 2/3 de la longueur de la vis.

Entretien et Service après-vente

Nettoyage et entretien

- **Retirez l'accu de l'appareil électroportatif avant toute intervention (opérations d'entretien/de maintenance, changement d'accessoire, etc.) ainsi que lors de son transport et rangement.** Il y a sinon risque de blessure lorsqu'on appuie par mégarde sur l'interrupteur Marche/Arrêt.
- **Tenez toujours propres l'outil électroportatif ainsi que les fentes de ventilation afin d'obtenir un travail impeccable et sûr.**

Service après-vente et conseil utilisateurs

Notre Service après-vente répond à vos questions concernant la réparation et l'entretien de votre produit et les pièces de rechange. Vous trouverez des vues éclatées et des informations sur les pièces de rechange sur le site : www.bosch-pt.com

L'équipe de conseil utilisateurs Bosch se tient à votre disposition pour répondre à vos questions concernant nos produits et leurs accessoires.

Pour toute demande de renseignement ou commande de pièces de rechange, précisez impérativement la référence à 10 chiffres figurant sur l'étiquette signalétique du produit.

France

Passez votre commande de pièces détachées directement en ligne sur notre site www.bosch-pt.fr.

Vous êtes un utilisateur, contactez : Le Service Clientèle Bosch Outillage Electroportatif

Tel. : 0811 360122 (coût d'une communication locale)

Fax : (01) 49454767

E-Mail : contact.outillage-electroportatif@fr.bosch.com

Vous êtes un revendeur, contactez :

Robert Bosch (France) S.A.S.

Service Après-Vente Electroportatif

126, rue de Stalingrad

93705 DRANCY Cédex

Tel. : (01) 43119006

Fax : (01) 43119033

E-Mail : sav.outillage-electroportatif@fr.bosch.com

Belgique, Luxembourg

Tel. : +32 2 588 0589

Fax : +32 2 588 0595

E-Mail : outillage.gereedschap@be.bosch.com

Suísse

Passez votre commande de pièces détachées directement en ligne sur notre site www.bosch-pt.com/ch/fr.
Tel. : (044) 8471512
Fax : (044) 8471552
E-Mail : AfterSales.Service@de.bosch.com

Transport

Les accus Lithium-ion sont soumis à la réglementation relative au transport de matières dangereuses. Pour le transport par voie routière, aucune mesure supplémentaire n'a besoin d'être prise.

Lors d'une expédition par un tiers (par ex. transport aérien ou entreprise de transport), des mesures spécifiques doivent être prises concernant l'emballage et le marquage. Pour la préparation de l'envoi, faites-vous conseiller par un expert en transport de matières dangereuses.

N'expédiez que des accus dont le boîtier n'est pas endommagé. Recouvrez les contacts non protégés et emballez l'accu de manière à ce qu'il ne puisse pas se déplacer dans l'emballage. Veuillez également respecter les réglementations supplémentaires éventuellement en vigueur.

Élimination des déchets



Les outils électroportatifs, les accus ainsi que leurs accessoires et emballages doivent être rapportés dans un centre de recyclage respectueux de l'environnement.



Ne jetez pas les outils électroportatifs et les accus/piles avec les ordures ménagères !

Seulement pour les pays de l'UE :

Conformément à la directive européenne 2012/19/UE, les outils électroportatifs hors d'usage, et conformément à la directive européenne 2006/66/CE, les accus/piles usagés ou défectueux doivent être éliminés séparément et être recyclés en respectant l'environnement.

Accus/piles :

Li-ion :

Veuillez respecter les indications se trouvant dans le chapitre Transport (voir « Transport », Page 16).



Português

Instruções de segurança

Indicações gerais de advertência para ferramentas eléctricas



Devem ser lidas todas as indicações de advertência e todas as instruções.

O desrespeito das advertências e instruções

apresentadas abaixo pode causar choque eléctrico, incêndio e/ou graves lesões.

Guarde bem todas as advertências e instruções para futura referência.

O termo "ferramenta eléctrica" utilizado a seguir nas indicações de advertência, refere-se a ferramentas eléctricas operadas com corrente de rede (com cabo de rede) e a ferramentas eléctricas operadas com acumulador (sem cabo de rede).

Segurança da área de trabalho

- ▶ **Mantenha a sua área de trabalho sempre limpa e bem iluminada.** Desordem ou áreas de trabalho insuficientemente iluminadas podem levar a acidentes.
- ▶ **Não trabalhar com a ferramenta eléctrica em áreas com risco de explosão, nas quais se encontrem líquidos, gases ou pós inflamáveis.** Ferramentas eléctricas produzem faíscas, que podem inflamar pós ou vapores.
- ▶ **Manter crianças e outras pessoas afastadas da ferramenta eléctrica durante a utilização.** No caso de distração é possível que perca o controlo sobre o aparelho.

Segurança eléctrica

- ▶ **A ficha de conexão da ferramenta eléctrica deve caber na tomada. A ficha não deve ser modificada de maneira alguma. Não utilizar uma ficha de adaptação junto com ferramentas eléctricas protegidas por ligação à terra.** Fichas não modificadas e tomadas apropriadas reduzem o risco de um choque eléctrico.
- ▶ **Evitar que o corpo possa entrar em contacto com superfícies ligadas à terra, como tubos, aquecimentos, fogões e frigoríficos.** Há um risco elevado devido a choque eléctrico, se o corpo estiver ligado à terra.
- ▶ **Manter o aparelho afastado de chuva ou humidade.** A infiltração de água numa ferramenta eléctrica aumenta o risco de choque eléctrico.
- ▶ **Não deverá utilizar o cabo para outras finalidades. Nunca utilizar o cabo para transportar a ferramenta eléctrica, para pendurá-la, nem para puxar a ficha da tomada. Manter o cabo afastado do calor, do óleo, de arestas afiadas ou de peças em movimento.** Cabos danificados ou emaranhados aumentam o risco de um choque eléctrico.
- ▶ **Se trabalhar com uma ferramenta eléctrica ao ar livre, só deverá utilizar cabos de extensão apropriados para áreas exteriores.** A utilização de um cabo de extensão apropriado para áreas exteriores reduz o risco de um choque eléctrico.
- ▶ **Se não for possível evitar o funcionamento da ferramenta eléctrica em áreas húmidas, deverá ser utilizado um disjuntor de corrente de avaria.** A utilização de um disjuntor de corrente de avaria reduz o risco de um choque eléctrico.

Segurança de pessoas

- ▶ **Esteja atento, observe o que está a fazer e tenha prudência ao trabalhar com a ferramenta eléctrica. Não utilize uma ferramenta eléctrica quando estiver fatigado ou sob a influência de drogas, álcool ou medicamentos.** Um momento de descuido ao utilizar a ferramenta eléctrica, pode levar a lesões graves.
- ▶ **Utilizar equipamento de protecção individual. Utilizar sempre óculos de protecção.** A utilização de equipamento de protecção pessoal, como máscara de protecção contra pó, sapatos de segurança antiderrapantes, capacete de segurança ou protecção auricular, de acordo com o tipo e aplicação da ferramenta eléctrica, reduz o risco de lesões.
- ▶ **Evitar uma colocação em funcionamento involuntária. Assegure-se de que a ferramenta eléctrica esteja desligada, antes de conectá-la à alimentação de rede e/ou ao acumulador, antes de levantá-la ou de transportá-la.** Se tiver o dedo no interruptor ao transportar a ferramenta eléctrica ou se o aparelho for conectado à alimentação de rede enquanto estiver ligado, poderão ocorrer acidentes.
- ▶ **Remover ferramentas de ajuste ou chaves de boca antes de ligar a ferramenta eléctrica.** Uma ferramenta ou chave que se encontre numa parte do aparelho em movimento pode levar a lesões.
- ▶ **Evite uma posição anormal. Mantenha uma posição firme e mantenha sempre o equilíbrio.** Desta forma é mais fácil controlar a ferramenta eléctrica em situações inesperadas.
- ▶ **Usar roupa apropriada. Não usar roupa larga nem jóias. Mantenha os cabelos, roupas e luvas afastadas de partes em movimento.** Roupas frouxas, cabelos longos ou jóias podem ser agarrados por peças em movimento.
- ▶ **Se for possível montar dispositivos de aspiração ou de recolha, assegure-se de que estejam conectados e utilizados correctamente.** A utilização de uma aspiração de pó pode reduzir o perigo devido ao pó.

Utilização e manuseio cuidadoso de ferramentas eléctricas

- ▶ **Não sobrecarregue a ferramenta eléctrica. Utilize a ferramenta eléctrica apropriada para o seu trabalho.** É melhor e mais seguro trabalhar com a ferramenta eléctrica apropriada na área de potência indicada.
- ▶ **Não utilizar uma ferramenta eléctrica com um interruptor defeituoso.** Uma ferramenta eléctrica que não pode mais ser ligada nem desligada, é perigosa e deve ser reparada.
- ▶ **Puxar a ficha da tomada e/ou remover o acumulador antes de executar ajustes no aparelho, de substituir acessórios ou de guardar o aparelho.** Esta medida de segurança evita o arranque involuntário da ferramenta eléctrica.
- ▶ **Guardar ferramentas eléctricas não utilizadas fora do alcance de crianças e não permitir que as pessoas que**

não estejam familiarizadas com o aparelho ou que não tenham lido estas instruções utilizem o aparelho.

Ferramentas eléctricas são perigosas se forem utilizadas por pessoas inexperientes.

- ▶ **Tratar a ferramenta eléctrica com cuidado. Controlar se as partes móveis do aparelho funcionam perfeitamente e não emperram, e se há peças quebradas ou danificadas que possam prejudicar o funcionamento da ferramenta eléctrica. Permitir que peças danificadas sejam reparadas antes da utilização.** Muitos acidentes têm como causa, a manutenção insuficiente de ferramentas eléctricas.
- ▶ **Manter as ferramentas de corte afiadas e limpas.** Ferramentas de corte cuidadosamente tratadas e com cantos de corte afiados emperram com menos frequência e podem ser conduzidas com maior facilidade.
- ▶ **Utilizar a ferramenta eléctrica, acessórios, ferramentas de aplicação, etc. conforme estas instruções. Considerar as condições de trabalho e a tarefa a ser executada.** A utilização de ferramentas eléctricas para outras tarefas a não ser as aplicações previstas, pode levar a situações perigosas.

Manuseio e utilização cuidadosos de ferramentas com acumuladores

- ▶ **Só carregar acumuladores em carregadores recomendados pelo fabricante.** Há perigo de incêndio se um carregador apropriado para um certo tipo de acumuladores for utilizado para carregar acumuladores de outros tipos.
- ▶ **Só utilizar ferramentas eléctricas com os acumuladores apropriados.** A utilização de outros acumuladores pode levar a lesões e perigo de incêndio.
- ▶ **Manter o acumulador que não está sendo utilizado afastado de cliques, moedas, chaves, parafusos ou outros pequenos objectos metálicos que possam causar um curto-circuito dos contactos.** Um curto-circuito entre os contactos do acumulador pode ter como consequência queimaduras ou fogo.
- ▶ **No caso de aplicação incorrecta pode vaziar líquido do acumulador. Evitar o contacto. No caso de um contacto accidental, deverá enxaguar com água. Se o líquido entrar em contacto com os olhos, também deverá consultar um médico.** Líquido que escapa do acumulador pode levar a irritações da pele ou a queimaduras.

Serviço

- ▶ **Só permita que o seu aparelho seja reparado por pessoal especializado e qualificado e só com peças de reposição originais.** Desta forma é assegurado o funcionamento seguro do aparelho.

Indicações de segurança para berbequins e aparafusadoras

- ▶ **Use protetores auditivos ao perfurar com impacto.** A exposição ao ruído pode provocar a perda da audição.

- ▶ **Use o(s) punho(s) auxiliar(es), caso seja(m) fornecido(s) com a ferramenta.** A perda de controlo pode resultar em ferimentos pessoais.
- ▶ **Utilizar detetores apropriados, para encontrar cabos escondidos, ou consulte a companhia elétrica local.** O contacto com cabos elétricos pode provocar fogo e choques elétricos. Danos em tubos de gás podem levar à explosão. A infiltração num cano de água provoca danos materiais.
- ▶ **Segure a ferramenta elétrica nas superfícies de agarrar isoladas ao executar uma operação onde o acessório de corte ou parafuso possa entrar em contacto com cabos escondidos.** Se o acessório de corte e os parafusos entrarem em contacto com um fio "sob tensão", as partes metálicas expostas da ferramenta elétrica ficam "sob tensão" e podem produzir um choque elétrico.
- ▶ **Segure bem a ferramenta elétrica.** Ao apertar e soltar parafusos podem ocorrer temporariamente elevados momentos de reação.
- ▶ **Fixar a peça a ser trabalhada.** Uma peça a ser trabalhada fixa com dispositivos de aperto ou com torno de bancada está mais firme do que segurada com a mão.
- ▶ **Espere que a ferramenta elétrica pare completamente, antes de depositá-la.** A ferramenta de aplicação pode emperrar e levar à perda de controlo sobre a ferramenta elétrica.
- ▶ **Em caso de danos e de utilização incorreta do acumulador, podem escapar vapores.** Arejar bem o local de trabalho e consultar um médico se forem constatados quaisquer sintomas. É possível que os vapores irritem as vias respiratórias.
- ▶ **Não abrir o acumulador.** Há risco de um curto-circuito.
- ▶ **Os objetos afiados como, p. ex., pregos ou chaves de fendas, assim como o efeito de forças externas podem danificar o acumulador.** Podem causar um curto-circuito interno e o acumulador pode ficar queimado, deitar fumo, explodir ou sobreaquecer.
- ▶ **Use a bateria apenas em produtos do fabricante.** Só assim é que a bateria é protegida contra sobrecarga perigosa.



Proteger o acumulador contra calor, p. ex. também contra uma permanente radiação solar, fogo, água e humidade. Há risco de explosão.



Descrição do produto e do serviço



Leia todas as instruções de segurança e instruções. A inobservância das instruções de segurança e das instruções pode causar choque elétrico, incêndio e/ou ferimentos graves.

Respeite as figuras na parte da frente do manual de instruções.

Utilização adequada

A ferramenta elétrica destina-se a apertar e desapertar parafusos e a furar madeira, metal, cerâmica e plástico. O GSB destina-se adicionalmente a furar com percussão em tijolo, betão e pedra.

Componentes ilustrados

A numeração dos componentes ilustrados refere-se à apresentação da ferramenta elétrica na página de esquemas.

- (1) Encadadouro
- (2) Bucha de aperto rápido
- (3) Anel de ajuste da pré-seleção do binário
- (4) Seletor dos modos de operação (GSB 120-LI)
- (5) Comutador de velocidade
- (6) Comutador do sentido de rotação
- (7) Tecla de desbloqueio da bateria ^{A)}
- (8) Bateria ^{A)}
- (9) Punho (superfície do punho isolada)
- (10) Interruptor de ligar/desligar
- (11) Lâmpada "PowerLight"
- (12) Bit de aparafusamento ^{A)}
- (13) Porta-bits universal ^{A)}

A) **Acessórios apresentados ou descritos não pertencem ao volume de fornecimento padrão. Todos os acessórios encontram-se no nosso programa de acessórios.**

Dados técnicos

Aparafusadora sem fio		GSR 120-LI	GSB 120-LI
Número de produto		3 601 JG8 0..	3 601 JG8 1..
Tensão nominal	V=	12	12
N.º de rotações em vazio			
– 1.ª velocidade	r.p.m.	0 - 400	0 - 400
– 2.ª velocidade	r.p.m.	0 - 1500	0 - 1500
Peso conforme EPTA-Procedure 01:2014	kg	0,97	1,1
Temperatura ambiente admissível			
– ao carregar	°C	0... +45	0... +45

Aparafusadora sem fio		GSR 120-LI	GSB 120-LI
– em funcionamento ^{A)} e em armazenamento	°C	-20... +50	-20... +50
Baterias recomendadas		GBA 12V..	GBA 12V..
Carregadores recomendados		GAL 12..CV GAL 12 V..	GAL 12..CV GAL 12 V..

A) potência limitada com temperaturas <0 °C

Montagem

- ▶ **A bateria deverá ser retirada antes de todos os trabalhos na ferramenta elétrica (p. ex. manutenção, troca de ferramenta etc.) e antes de transportar ou armazenar a mesma.** Há perigo de ferimentos se o interruptor de ligar/desligar for acionado involuntariamente.

Retirar bateria (ver figura A)

- ▶ **Só utilizar os carregadores que constam na página de acessórios.** Só estes carregadores são apropriados para as baterias de lítio utilizadas para a sua ferramenta elétrica.

Nota: A bateria é fornecida parcialmente carregada. Para assegurar a completa potência da bateria, a bateria deverá ser carregada completamente no carregador antes da primeira utilização.

A bateria de íões de lítio pode ser carregada a qualquer altura, sem que a sua vida útil seja reduzida. Uma interrupção do processo de carga não danifica a bateria.

A bateria de íões de lítio está protegida contra descarga completa pelo sistema "Electronic Cell Protection (ECP)". Com a bateria descarregada, o aspirador sem fio é desligado através de uma comutação de proteção.

- ▶ **Não continuar a premir o interruptor de ligar/desligar após o desligamento automático da ferramenta elétrica.** A bateria pode ser danificada.

Para retirar a bateria **(8)** pressione a tecla de desbloqueio **(7)** e puxe a bateria para baixo para a retirar da ferramenta elétrica. **Não empregar força.**

Observe as indicações sobre a eliminação de forma ecológica.

Troca de ferramenta (ver figura B)

Com o interruptor de ligar/desligar não pressionado **(10)** é fixado o veio de perfuração. Isto possibilita uma troca rápida, confortável e fácil da ferramenta de trabalho no mandril de brocas.

Abra a bucha de aperto rápido **(2)** rodando no sentido **(1)** até a ferramenta poder ser inserida. Introduzir a ferramenta. Aperte bem à mão a bucha de aperto rápido **(2)** no sentido de rotação **(2)**, até se ouvir um clic. A bucha fica assim automaticamente bloqueada.

O travamento solta-se novamente, logo que girar a bucha no sentido contrário para remover a ferramenta.

Aspiração de pó/de aparas

Pós de materiais como por exemplo, tintas que contém chumbo, alguns tipos de madeira, minerais e metais, podem ser nocivos à saúde. O contacto ou a inalação dos pós pode provocar reações alérgicas e/ou doenças nas vias respiratórias do utilizador ou das pessoas que se encontrem por perto.

Certos pós, como por exemplo pó de carvalho e faia são considerados como sendo cancerígenos, especialmente quando juntos com substâncias para o tratamento de madeiras (cromato, preservadores de madeira). Material que contém asbesto só deve ser processado por pessoal especializado.

- Assegurar uma boa ventilação do local de trabalho.
- É recomendável usar uma máscara de proteção respiratória com filtro da classe P2.

Observe as diretivas para os materiais a serem processados, vigentes no seu país.

- ▶ **Evite a acumulação de pó no local de trabalho.** Pós podem entrar levemente em ignição.

Funcionamento

Colocação em funcionamento

Colocar a bateria

Nota: A utilização de baterias não indicadas para a sua ferramenta elétrica pode causar falhas de funcionamento ou danos na ferramenta elétrica.

Coloque o comutador do sentido de rotação **(6)** no centro para evitar um ligamento inadvertido. Coloque a bateria carregada **(8)** no punho até esta encaixar de forma audível e ficar à face com o punho.

Ajustar o sentido de rotação (ver figura C)

Com o comutador de sentido de rotação **(6)** é possível alterar o sentido de rotação da ferramenta elétrica. Com o interruptor de ligar/desligar pressionado **(10)** isto no entanto não é possível.

Rotação à direita: Para furar e apertar parafusos prima o comutador do sentido de rotação **(6)** completamente para a esquerda.

Rotação à esquerda: para soltar ou retirar os parafusos pressione o conversor do sentido de rotação **(6)** para trás até ao batente.

Ajustar o modo de operação



Furar

GSR 120-LI:

Ajuste o anel de ajuste para a pré-seleção do binário **(3)** para o símbolo "Furar".

GSB 120-LI:

Coloque o seletor do modo de operação **(4)** no símbolo "Furar".



Parafusos

GSR 120-LI:

Ajuste o anel de ajuste para a pré-seleção do binário **(3)** para o binário desejado.

GSB 120-LI:

Coloque o seletor do modo de operação **(4)** no símbolo "Aparafusar".

Ajuste o anel de ajuste para a pré-seleção do binário **(3)** para o binário desejado.



Furar com percussão

GSR 120-LI:

Coloque o seletor do modo de operação **(4)** no símbolo "Furar com percussão".

Pré-selecionar o binário

Com o anel de ajuste da pré-seleção do binário **(3)** pode pré-selecionar o binário necessário em 20 níveis. Com o ajuste certo, o acessório é parado, assim que parafuso esteja aparafusado à face com o material ou seja atingido o binário ajustado. Na posição a embraiagem de segurança por desengate está desativada, p. ex. para furar.

Ao desaparafusar parafusos, selecione um ajuste maior ou coloque no símbolo .

Regulação mecânica da velocidade

► **Acione o seletor de velocidade (5) apenas com a ferramenta elétrica parada.**

Com o seletor de velocidade **(5)** podem ser pré-selecionados 2 regimes de rotações.

Velocidade I:

Baixa gama de número de rotações; para aparafusar ou para trabalhar com grandes diâmetros.

Velocidade II:

Alta gama de número de rotações; para trabalhar com pequeno diâmetro de perfuração.

Se não for possível empurrar o seletor de velocidade **(5)** até ao batente, rode um pouco a fixação da ferramenta **(1)** com o acessório.

Ligar/desligar

Para a **colocação em funcionamento** da ferramenta elétrica deverá pressionar o interruptor de ligar/desligar **(10)** e mantenha-o pressionado.

A lâmpada **(11)** acende-se com o interruptor para ligar/desligar **(10)** ligeira ou completamente premido e permite

iluminar o local de trabalho em caso de condições de iluminação desfavoráveis.

Para **desligar** a ferramenta elétrica, liberte o interruptor de ligar/desligar **(10)**.

Ajustar o número de rotações

Pode regular a velocidade da ferramenta elétrica ligada de forma contínua, consoante a pressão que faz no interruptor de ligar/desligar **(10)**.

Uma leve pressão sobre o interruptor de ligar/desligar **(10)** proporciona um número de rotações/impactos baixo.

Aumentando a pressão, é aumentado o n.º de rotações/

Ajustar n.º de rotações/impactos (GSB 120-LI)

Pode regular o número de rotações/impactos da ferramenta elétrica ligada de forma contínua, consoante a pressão que faz no interruptor de ligar/desligar **(10)**.

Uma leve pressão sobre o interruptor de ligar/desligar **(10)** proporciona um número de rotações/impactos baixo.

Aumentando a pressão, é aumentado o n.º de rotações/impactos.

Bloqueio automático do veio (Auto-Lock)

Com o interruptor de ligar/desligar não pressionado **(10)** é fixado o veio de perfuração e, consequentemente, o encabadouro.

Isso permite enroscar parafusos mesmo com a bateria descarregada ou rodar a ferramenta elétrica como chave de parafusos.

Travão de funcionamento por inércia

Ao soltar o interruptor de ligar/desligar **(10)** a bucha é travada, evitando assim o funcionamento por inércia da ferramenta de trabalho.

Ao apertar parafusos, solte o interruptor de ligar/desligar **(10)** somente quando o parafuso estiver à face com a peça. A cabeça do parafuso não entra na peça a ser trabalhada.

Indicador da proteção contra sobrecarga

Numa utilização correta, a ferramenta elétrica não pode ser sobrecarregada. Em caso de sobrecarga ou saída da faixa de temperatura da bateria permitida, o número de rotações é reduzido. A ferramenta elétrica só volta ao n.º de rotações pleno depois de atingida a temperatura da bateria permitida.

Instruções de trabalho

► **Utilizar os punhos adicionais fornecidos com a ferramenta elétrica.** A perda de controle sobre a ferramenta elétrica pode levar a lesões.

Após um longo período de tempo a trabalhar com um número de rotações reduzido, deve deixar a ferramenta elétrica a funcionar aprox. 3 minutos com o número de rotações máximo em vazio para a arrefecer.

Ao furar metal utilize apenas brocas HSS afiadas e sem problemas (HSS= aço de corte rápido de alto rendimento). O programa de acessórios Bosch garante a qualidade adequada.

Antes de atarraxar parafusos, mais longos e maiores, em materiais duros, deveria furar com o diâmetro do núcleo da

rosca até aproximadamente 2/3 do comprimento do parafuso.

Manutenção e assistência técnica

Manutenção e limpeza

- ▶ **A bateria deverá ser retirada antes de todos os trabalhos na ferramenta elétrica (p. ex. manutenção, troca de ferramenta etc.) e antes de transportar ou de armazenar a mesma.** Há perigo de ferimentos se o interruptor de ligar/desligar for acionado involuntariamente.
- ▶ **Manter a ferramenta elétrica e as aberturas de ventilação sempre limpas, para trabalhar bem e de forma segura.**

Serviço pós-venda e aconselhamento

O serviço pós-venda responde às suas perguntas a respeito de serviços de reparação e de manutenção do seu produto, assim como das peças sobressalentes. Desenhos explodidos e informações acerca das peças sobressalentes também em: www.bosch-pt.com

A nossa equipa de consultores Bosch esclarece com prazer todas as suas dúvidas a respeito dos nossos produtos e acessórios.

Indique para todas as questões e encomendas de peças sobressalentes a referência de 10 dígitos de acordo com a placa de características do produto.

Portugal

Robert Bosch LDA
Avenida Infante D. Henrique
Lotes 2E – 3E
1800 Lisboa
Para efetuar o seu pedido online de peças entre na página www.ferramentasbosch.com.
Tel.: 21 8500000
Fax: 21 8511096

Brasil

Robert Bosch Ltda. – Divisão de Ferramentas Elétricas
Caixa postal 1195 – CEP: 13065-900
Campinas – SP
Tel.: 0800 7045 446
www.bosch.com.br/contato

Transporte

As baterias de íons de lítio, contidas, estão sujeitas ao direito de materiais perigosos. As baterias podem ser transportadas na rua pelo utilizador, sem mais obrigações.

Na expedição por terceiros (por ex: transporte aéreo ou expedição), devem ser observadas as especiais exigências quanto à embalagem e à designação. Neste caso é necessário consultar um especialista de materiais perigosos ao preparar a peça a ser trabalhada.

Só enviar baterias se a carcaça não estiver danificada. Colar contactos abertos e embalar a bateria de modo que não possa se movimentar dentro da embalagem. Por favor

observe também eventuais diretivas nacionais suplementares.

Eliminação



matéria prima.



As ferramentas elétricas, as baterias, os acessórios e as embalagens devem ser enviados a uma reciclagem ecológica de

Não deitar ferramentas elétricas e baterias/pilhas no lixo doméstico!

Apenas para países da UE:

Conforme a Diretiva Europeia 2012/19/UE e segundo a Diretiva Europeia 2006/66/CE é necessário recolher separadamente as ferramentas elétricas que já não são mais usadas e as baterias/pilhas defeituosas ou gastas e encaminhá-las para uma reciclagem ecológica.

Baterias/pilhas:

Lítio:

Observar as indicações no capítulo Transporte (ver "Transporte", Página 21).

中文

安全规章

电动工具通用安全警告

警告！ 警告！ 阅读所有警告和所有说明！ 不遵照以下警告和说明会导致电击、着火和 / 或严重伤害。

保存所有警告和说明书以备查阅。

在所有下列的警告中术语“电动工具”指市电驱动（有线）电动工具或电池驱动（无线）电动工具。

工作场地的安全

- ▶ **保持工作场地清洁和明亮。** 混乱和黑暗的场地会引发事故。
- ▶ **不要在易爆环境，如有易燃液体、气体或粉尘的环境下操作电动工具。** 电动工具产生的火花会点燃粉尘或气体。
- ▶ **让儿童和旁观者离开后操作电动工具。** 注意力不集中会使操作者失去对工具的控制。

电气安全

- ▶ **电动工具插头必须与插座相配。绝不能以任何方式改装插头。** 需接地的电动工具不能使用任何转换插头。未经改装的插头和相配的插座将减少电击危险。
- ▶ **避免人体接触接地表面，如管道、散热片和冰箱。** 如果你身体接地会增加电击危险。
- ▶ **不得将电动工具暴露雨中或潮湿环境中。** 水进入电动工具将增加电击危险。

- ▶ **不得滥用电线。绝不能用电线搬运、拉动电动工具或拔出其插头。使电线远离热源、油、锐边或运动部件。** 受损或缠绕的软线会增加电击危险。
- ▶ **当在户外使用电动工具时，使用适合户外使用的外接软线。** 适合户外使用的软线将减少电击危险。
- ▶ **如果在潮湿环境下操作电动工具是不可避免的，应使用剩余电流动作保护器（RCD）。** 使用 RCD 可减小电击危险。

人身安全

- ▶ **保持警觉，当操作电动工具时关注所从事的操作并保持清醒。** 当你感到疲倦，或在有药物、酒精或治疗反应时，不要操作电动工具。在操作电动工具时瞬间的疏忽会导致严重人身伤害。
- ▶ **使用个人防护装置。始终佩戴护目镜。** 安全装置，诸如适当条件下使用防尘面具、防滑安全鞋、安全帽、听力防护等装置能减少人身伤害。
- ▶ **防止意外起动。确保开关在连接电源和/或电池盒、拿起或搬运工具时处于关断位置。** 手指放在已接通电源的开关上或开关处于接通时插入插头可能会导致危险。
- ▶ **在电动工具接通之前，拿掉所有调节钥匙或扳手。** 遗留在电动工具旋转零件上的扳手或钥匙会导致人身伤害。
- ▶ **手不要伸展得太长。时刻注意立足点和身体平衡。** 这样在意外情况下能很好地控制电动工具。
- ▶ **着装适当。不要穿宽松衣服或佩戴饰品。让衣服、手套和头发远离运动部件。** 宽松衣服、配饰或长发可能会卷入运动部件中。
- ▶ **如果提供了与排屑、集尘设备连接用的装置，要确保他们连接完好且使用得当。** 使用这些装置可减少尘屑引起的危险。

电动工具使用和注意事项

- ▶ **不要滥用电动工具，根据用途使用适当的电动工具。** 选用适当设计的电动工具会使你工作更有效、更安全。
- ▶ **如果开关不能接通或关断工具电源，则不能使用该电动工具。** 如果开关不能接通或关断工具电源，则不能使用该电动工具。
- ▶ **在进行任何调节、更换附件或贮存电动工具之前，必须从电源上拔掉插头和/或使电池盒与工具脱开。** 这种防护性措施将减少工具意外起动的危险。
- ▶ **将闲置不用的电动工具贮存在儿童所及范围之外，并且不要让不熟悉电动工具或对这些说明不了解的人操作电动工具。** 电动工具在未经培训的用户手中是危险的。
- ▶ **保养电动工具。检查运动件是否调整到位或卡住，检查零件破损情况和影响电动工具运行的其他状况。** 如有损坏，电动工具应在使用前修理好。许多事故由维护不良的电动工具引发。
- ▶ **保持切削刀具锋利和清洁。** 保养良好的有锋利切削刃的刀具不易卡住而且容易控制。
- ▶ **按照使用说明书，考虑作业条件和进行的作业来使用电动工具、附件和工具的刀头等。** 将电动工

具用于那些与其用途不符的操作可能会导致危险。

电池式工具使用和注意事项

- ▶ **只用制造商规定的充电器充电。** 将适用于某种电池盒的充电器用到其他电池盒时会发生着火危险。
- ▶ **只有在配有专用电池盒的情况下才使用电动工具。** 使用其他电池盒会发生损坏和着火危险。
- ▶ **当电池盒不用时，将它远离其他金属物体，例如回形针、硬币、钥匙、钉子、螺钉或其他小金属物体，以防一端与另一端连接。** 电池端部短路会引起燃烧或火灾。
- ▶ **在滥用条件下，液体会从电池中溅出；避免接触。** 如果意外碰到了，用水冲洗。如果液体碰到了眼睛，还要寻求医疗帮助。从电池中溅出的液体会发生腐蚀或燃烧。

维修

- ▶ **让专业维修人员使用相同的备件维修电动工具。** 这将保证所维修的电动工具的安全。

针对电钻和电动扳手的安规规章

- ▶ **使用冲击钻时应佩戴护耳器。** 接触噪音会导致听力下降。
- ▶ **使用辅助手柄（如随工具提供）。** 失控会造成人身伤害。
- ▶ **使用合适的侦测装置侦察隐藏的电线，或者向当地的相关单位寻求支援。** 接触电线可能引起火灾并让操作者触电。损坏了瓦斯管会引起爆炸。如果水管被刺穿了会导致财物损失。
- ▶ **在操作期间，切割附件或紧固件可能接触暗线，要握住电动工具的绝缘握持面。** 切割附件和紧固件一旦接触“带电”导线，可能会使电动工具外露的金属部件“带电”，并使操作者触电。
- ▶ **请紧握电动工具。** 拧紧和拧松螺丝时可能短时出现高反应扭矩。
- ▶ **固定好工件。** 使用固定装置或老虎钳固定工件，会比用手持握工件更牢固。
- ▶ **等待电动工具完全静止后才能够放下机器。** 机器上的工具可能在工作中被夹住，而令您无法控制电动工具。
- ▶ **如果充电电池损坏或者未按照规定使用，充电电池中会散发出有毒蒸汽。** 工作场所必须保持空气流通，如果身体有任何不适必须马上就医。蓄电池散发的蒸汽会刺激呼吸道。
- ▶ **切勿打开充电电池。** 可能造成短路。
- ▶ **钉子、螺丝刀等尖锐物品或外力作用可能会损坏充电电池。** 有可能出现内部短路、蓄电池燃烧、发出烟雾、爆炸或过热。
- ▶ **只能将此充电电池用在制造商的产品中。** 这样才能确保充电电池不会过载。



保护充电电池免受高温（例如长期日照）、火焰、水和湿气的侵害。有爆炸的危险。

产品和性能说明



请阅读所有安全规章和指示。不遵照以下警告和说明可能导致电击、着火和/或严重伤害。

请注意本使用说明书开头部分的图示。

按照规定使用

本电动工具用于拧紧和松开螺丝以及在木材、金属、陶瓷和塑料上钻孔。GSB还可以用于在砖块、混凝土和岩石上进行冲击钻。

插图上的机件

机件的编号和电动工具详解图上的编号一致。

(1) 工具夹头

- (2) 快速夹头
- (3) 扭矩预选调节环
- (4) 运行模式选择开关 (GSB 120-LI)
- (5) 选档开关
- (6) 正逆转开关
- (7) 充电电池解锁按钮^{A)}
- (8) 充电电池^{A)}
- (9) 手柄 (绝缘握柄)
- (10) 电源开关
- (11) “PowerLight”灯
- (12) 螺丝批嘴^{A)}
- (13) 通用批嘴架^{A)}

A) 图表或说明上提到的附件，并不包含在基本的供货范围中。本公司的附件清单中有完整的附件供应项目。

技术参数

充电式起子机		GSR 120-LI	GSB 120-LI
物品代码		3 601 JG8 0..	3 601 JG8 1..
额定电压	伏=	12	12
无负载转速			
- 第1档	转/分钟	0 - 400	0 - 400
- 第2档	转/分钟	0 - 1500	0 - 1500
重量符合EPTA-Procedure 01:2014	千克	0.97	1.1
允许的环境温度			
- 充电时	摄氏度	0至+45	0至+45
- 工作时 ^{A)} 和仓储时功率受限	摄氏度	-20至+50	-20至+50
建议使用的充电电池		GBA 12V..	GBA 12V..
推荐的充电器		GAL 12..CV GAL 12V..	GAL 12..CV GAL 12V..

A) 温度<0 摄氏度时功率受限

安装

▶ 在电动工具上进行任何维护的工作（例如维修，更换工具等等），以及搬运、保存电动工具之前都必须从机器中取出蓄电池。无意间操作开关可能会造成伤害。

取出充电电池（参见插图A）

▶ 仅使用布置在配件侧的充电器。只有这些充电器才适用于本电动工具上的锂离子电池。

提示：充电电池在交货时只完成部分充电。首度使用电动工具之前，必须先充足充电电池的电量以确保充电电池的功率。

可以随时为锂离子充电电池充电，不会缩短电池的使用寿命。如果充电过程突然中断，也不会损坏电池。

本锂离子充电电池配备了电池电子保护装置 Electronic Cell Protection (ECP)，可以防止电池过度放电。卸载充电电池时通过保护回路断开便捷式吸尘器。

▶ 电动工具被关闭之后，切勿继续按住起停开关。否则可能会损坏电池。

如需取下充电电池(8)，请按压解锁按钮(7)，然后将电池向下从电动工具拔出。在此过程中请勿过度用力。

请注意有关废弃处理的规定。

更换刀具（参见插图B）

电源开关(10)未按下时可锁定钻轴。这样就能快速便捷地更换钻头中的工具刀头。

沿着方向①转动，打开快速夹头(2)，直至可以插入刀具。安装好刀具。

用手朝着方向②用力旋紧快速夹头(2)的套筒，直到听见咔嚓一声为止。由此钻头夹头会被自动锁止。

反向转动前套筒来移除刀具时，锁止件再次自动松开。

抽吸粉尘/切屑

含铅的颜料以及某些木材、矿物和金属的加工粉尘有害健康。机器操作者或者工地附近的人如果接触、吸入这些粉尘，可能会有过敏反应或者感染呼吸道疾病。

某些尘埃（例如加工橡木或山毛榉的粉尘）可能致癌，特别是和处理木材的添加剂（例如木材的防腐剂等）结合之后。只有经过专业培训的人才能够加工含石棉的物料。

- 工作场所要保持空气流通。
- 最好佩戴P2滤网等级的口罩。

请留心并遵守贵国和加工物料有关的法规。

▶ **避免让工作场所堆积过多的尘垢。** 尘埃容易被点燃。

运行

投入使用

安装充电电池

提示：如果使用的充电电池与电动工具不匹配，则可能会导致功能失灵或电动工具损坏。

将正逆转开关(6)调至中间，以防意外接通。将已充好电的电池(8)装入手柄，直至感觉到其卡入且与手柄平齐。

调整旋转方向（见图片C）

通过正逆转开关(6)可以更改电动工具的旋转方向。按下起停开关(10)后无法更改。

正转：钻孔和旋入螺栓时，向左按压正逆转开关(6)直至极限位置。

逆转：松开或拧出螺丝和螺母时，向右按压正逆转开关(6)直至极限位置。

设置运行模式



钻孔

GSR 120-LI:

将扭矩预选调节环(3)调到“钻孔”图标上。

GSB 120-LI:

将运行模式选择开关(4)调到“钻孔”图标上。



拧螺丝

GSR 120-LI:

将扭矩预选调节环(3)调到需要的扭矩上。

GSB 120-LI:

将运行模式选择开关(4)调到“拧螺丝”图标上。

将扭矩预选调节环(3)调到需要的扭矩上。



冲击钻

GSB 120-LI:

将运行模式选择开关(4)调到“冲击钻”图标上。

预选扭矩

用扭矩预选调节环(3)可在20个档位中预选所需的扭矩。如果扭矩设定正确，只要螺丝头已经平贴在工件表面，或者到达了预定的扭矩，安装在机器上的刀具便会停止转动。已在位置▲▲上停用过锁紧连接，比如钻孔时。

拧出螺栓时可以选择更高的设置或调至图标▲▲。

机械式选档

▶ **只能在电动工具静止时操纵选档开关(5)。**

利用选档开关(5)可以预选2个转速范围。

档位I:

低转速范围；适用于钻孔直径较大时或拧螺丝时。

档位II:

高转速范围；适用钻孔直径较小时。

如果选档开关(5)无法推到极限位置，就略微转动工具夹头(1)和工具刀头。

开动/关闭

将电动工具**投入使用时**按压起停开关(10)并按住。轻按或是把起停开关(10)按到底时，灯(11)会亮起，在照明状况不佳的环境中可以借此照亮操作位置。

关闭电动工具时，请松开起停开关(10)。

调整转速

根据按压起停开关(10)的程度，可以无级调节已接通的电动工具的转速。

轻按起停开关(10)，转速低。逐渐在开关上加压，转速也会跟着提高。

设置转速/冲击次数（GSB 120-LI）

可以无级调节已接通电动工具的转速 / 冲击次数，视按压起停开关(10)的力道程度决定。

以较小的力按压起停开关(10)时，转速 / 冲击次数较低。增强施加在起停开关上的压力，可以提高机器的转速 / 冲击次数。

全自动主轴锁定功能（Auto-Lock）

起停开关(10)未按下时可锁定钻轴，从而锁住工具夹头。

因此，即使充电电池没电了，也可以使用本电动工具拧入螺丝，换句话说，也可以使用本机器充当螺丝起子。

停机制动器

松开电源开关(10)后，钻夹头制动，从而防止工具刀头继续转动。

拧入螺丝时，当螺丝与工件齐平后，才能松开电源开关(10)。这样螺丝头才不会陷入物料中。

温的过载保护装置

按照规定使用时不会造成电动工具过载。负荷过大或超出允许的充电电池温度范围会导致转速降低。本电动工具在达到了允许的充电电池温度后再次以满转速运行。

工作提示

- ▶ **先关闭电动工具，然后再放置在螺母/螺栓上。**旋转的工具刀头可能会滑开。

使用低转速长时间操作之后，应该让电动工具以最大转速空转约3分钟来帮助机器冷却。

在金属上钻孔时，仅可使用锋利的HSS钻头（HSS=高速钢）。在博世的附件产品系列中，有符合这个品质等级的产品。

把大的、长的螺丝拧入坚硬的物料中之前，必须根据螺纹的中心直径预钻孔，预钻孔的深度大概为螺丝长度的2/3。

维修和服务

维护和清洁

- ▶ **在电动工具上进行任何维护的工作（例如维修，更换工具等等），以及搬运、保存电动工具之前都必须从机器中取出蓄电池。**无意间操作开关可能会造成伤害。
- ▶ **电动工具和通气孔必须随时保持清洁，以确保工作效率和工作安全。**

客户服务和应用咨询

本公司顾客服务处负责回答有关本公司产品的修理，维护和备件的问题。备件的展开图纸和信息也可查看：www.bosch-pt.com
博世应用咨询团队乐于就我们的产品及其附件问题提供帮助。

如需查询和订购备件，请务必提供产品型号铭牌上的10位数货号。

中国大陆

博世电动工具（中国）有限公司，中国浙江省杭州市滨江区滨康路567号
102/1F服务中心
邮政编码：310052

电话：(0571) 8887 5566 / 5588
传真：(0571) 8887 6688 x 5566# / 5588#
电邮：bsc.hz@cn.bosch.com

中华人民共和国
中国大陆

博世电动工具（中国）有限公司

博世服务中心
中国浙江省杭州市滨江区
滨康路567号，
310052

电话：(0571) 8887 5566 / 5588
传真：(0571) 8887 6688 x 5566# / 5588#

电子邮件：bsc.hz@cn.bosch.com
www.bosch-pt.com.cn

搬运

随着机器一起供货的锂离子充电电池必须符合危险物品法规。使用者无须另外使用保护包装便可以运送该充电电池。

但是如果将它交由第三者运送（例如：寄空运或委托运输公司）则须使用特殊的包装和标示。此时必须向危险物品专家请教有关寄送危险物品的相关事宜。

确定充电电池的外壳未受损后，才可以寄送充电电池。粘好未加盖的触点并包装好充电电池，不可以让充电电池在包装中晃动。必要时也得注意各国有关的法规。

处理废弃物



必须以符合环保的方式，回收再利用损坏的电动工具、充电电池、附件和废弃的包装材料。



不可以把电动工具和充电电池/蓄电池丢入一般的家庭垃圾中！

仅适用于欧盟国家：

无法再使用的电动工具根据欧盟第2012/19/EU号指令，损坏的或旧充电电池/蓄电池根据欧盟第2006/66/EC号指令必须单独收集并根据环保要求进行回收利用。

充电电池/电池：

锂离子：

请注意“搬运”段落中的指示（参见“搬运”，页 25）确认设置。

产品中有害物质的名称及含量

部件名称	有害物质					
	铅 (Pb)	汞 (Hg)	镉 (Cd)	六价铬 (Cr ⁶⁺)	多溴联苯 (PBB)	多溴二苯醚 (PBDE)
外壳的金属部分	○	○	○	○	○	○
外壳的非金属部分	○	○	○	○	○	○
机械传动机构	X	○	○	○	○	○
电机组件	X	○	○	○	○	○
控制组件	X	○	○	○	○	○

部件名稱	有害物質					
	鉛 (Pb)	汞 (Hg)	鎘 (Cd)	六價鉻 (Cr ⁺⁶)	多溴聯苯 (PBB)	多溴二苯醚 (PBDE)
附件	○	○	○	○	○	○
配件	○	○	○	○	○	○
連接件	X	○	○	○	○	○
電源線* ①	○	○	○	○	○	○
電池系統* ②	X	○	○	○	○	○

本表格依据SJ/T11364 的规定编制。

O: 表示该有害物质在该部件所有均质材料中的含量均在GB/T 26572 规定的限量要求以下。

X: 表示该有害物质至少在该部件的某一均质材料中的含量超出GB/T 26572 规定的限量要求。

且目前业界没有成熟的替代方案，符合欧盟RoHS 指令环保要求。

① 适用于采用电源线连接供电的产品。

② 适用于采用充电电池供电的产品。

产品环保使用期限内的使用条件参见产品说明书。

繁體中文

安全注意事項

電動工具通用安全警告

警告 閱讀所有警告和所有說明。不遵照以下警告和說明會導致電擊、著火和 / 或嚴重傷害。

保存所有警告和說明書以備查閱。

在所有警告中，「電動工具」此一名詞泛指：以市電驅動的（有線）電動工具或是以電池驅動的（無線）電動工具。

工作場地的安全

- ▶ 保持工作場地清潔和明亮。雜亂和黑暗的場地會引發事故。
- ▶ 不要在易爆環境，如有易燃液體、氣體或粉塵的環境下操作電動工具。電動工具產生的火花會點燃粉塵或氣體。
- ▶ 讓兒童和旁觀者離開後操作電動工具。注意力不集中會使您失去對工具的控制。

電氣安全

- ▶ 電動工具插頭必須與插座相配。絕不能以任何方式改裝插頭。需接地的電動工具不能使用任何轉換插頭。未經改裝的插頭和相配的插座將減少電擊危險。
- ▶ 避免人體接觸接地表面，如管道、散熱片和冰箱。如果您身體接地會增加電擊危險。
- ▶ 不得將電動工具暴露在雨中或潮濕環境中。水進入電動工具將增加電擊危險。
- ▶ 不得濫用電線。絕不能用電線搬運、拉動電動工具或拔出其插頭。將電線遠離熱源、油、銳利邊緣或移動零件。受損或纏繞的軟線會增加電擊危險。

- ▶ 當在戶外使用電動工具時，使用適合戶外使用的延長線。適合戶外使用的軟線，將減少電擊危險。

- ▶ 如果在潮濕環境下操作電動工具是不可避免的，應使用剩餘電流動作保護器（RCD）。使用RCD可降低電擊危險。

人身安全

- ▶ 保持警覺，當操作電動工具時關注所從事的操作並保持清醒。當您感到疲倦，或在有藥物、酒精或治療反應時，不要操作電動工具。在操作電動工具時瞬間的疏忽會導致嚴重人身傷害。
- ▶ 使用個人防護裝置。務必佩戴護目鏡。安全裝置，諸如適當條件下使用防塵面具、防滑安全鞋、安全帽、聽力防護等裝置能減少人身傷害。
- ▶ 防止意外起動。確保開關在連接電源和 / 或電池組、拿起或搬運工具時處於關閉位置。手指放在已接通電源的開關上或開關處於接通時插入插頭可能會導致危險。
- ▶ 在電動工具接通之前，拿掉所有調節鑰匙或扳手。遺留在電動工具旋轉零件上的扳手或鑰匙會導致人身傷害。
- ▶ 手不要伸展得太長。時刻注意立足點和身體平衡。這樣在意外情況下能很好地控制電動工具。
- ▶ 著裝適當。不要穿著寬鬆衣服或佩戴飾品。衣服、手套和頭髮請遠離移動零件。寬鬆衣服、佩飾或長髮可能會捲入移動零件中。
- ▶ 如果有排屑、集塵設備連接用的裝置，請確保其連接完好且使用得當。使用這些裝置可減少塵屑引起的危險。

電動工具使用和注意事項

- ▶ 請勿濫用電動工具，根據用途使用適當的電動工具。選用適當設計的電動工具會使您工作更有效、更安全。

- ▶ 如果開關不能開啟或關閉工具電源，則不能使用該電動工具。不能用開關來控制的電動工具是危險的且必須進行修理。
- ▶ 在進行任何調整、更換附件或貯存電動工具之前，必須從電源上拔掉插頭和 / 或將電池組拆下。這種防護性措施將減少工具意外起動的危險。
- ▶ 將閒置不用的電動工具貯存在兒童所及範圍之外，不得讓不熟悉電動工具或對這些說明不瞭解的人操作電動工具。由未經訓練的人員使用電動工具相當危險。
- ▶ 保養電動工具。檢查移動零件是否調整到位或卡住，檢查零件受損情況和影響電動工具運轉的其他狀況。如有損壞，電動工具應在使用前修理完成。許多事故由維護不良的電動工具引發。
- ▶ 保持切削刀具鋒利和清潔。保養良好的有鋒利切削刃的刀具不易卡住而且容易控制。
- ▶ 按照使用說明書，考慮作業條件和進行的作業來使用電動工具、配件和工具的尖端等。將電動工具用於那些與其用途不符的操作可能會導致危險。

電池式工具使用和注意事項

- ▶ 只用製造商規定的充電器充電。將適用於某種電池組的充電器用到其他電池組時會發生著火危險。
- ▶ 只有在配有專用電池組的情況下才使用電動工具。使用其他電池組會發生損壞和著火危險。
- ▶ 當電池組不用時，請遠離其他金屬物體，例如迴紋針、硬幣、鑰匙、釘子、螺絲或其他小金屬物體，以防一端與另一端連接。電池接點短路會引起燃燒或火災。
- ▶ 在誤用的情況下，液體會從電池中濺出；請避免接觸。如果意外接觸，應立刻用水沖洗。如果液體碰到了眼睛，務必就醫。從電池中濺出的液體會發生腐蝕或燃燒。

檢修

- ▶ 將您的電動工具送交專業維修人員，必須使用同樣的備件進行更換。這樣將確保所維修的電動工具的安全性。

電鑽和起子機的安全注意事項

- ▶ 鑽孔時請戴上耳罩。暴露在噪音下會造成聽力喪失。
- ▶ 請使用工具的輔助把手（若有配備）。失去控制可能會造成人員受傷。
- ▶ 使用合適的偵測裝置偵察隱藏的電線，或者向當地的相關單位尋求支援。接觸電線可能引起火災並讓操作者觸電。若損壞瓦斯管會引起爆炸。如果水管被刺穿會導致財物損失。
- ▶ 進行作業時，負責進行切割的配件或固定釘可能會觸碰到隱藏的配線，請從絕緣握把處拿持電動工具。負責進行切割的配件及固定釘若是觸及

「導電」電線，可能導致電動工具外露的金屬部件「導電」，進而使操作人員遭受電擊。

- ▶ 請牢牢握緊電動工具。旋緊與鬆開螺栓時，瞬間可能會有較大的反作用力。
- ▶ 固定好工件。使用固定裝置或老虎鉗固定工件，會比用手持握工件更牢固。
- ▶ 必須等待電動工具完全靜止後才能將它放下。嵌件工具可能卡住而使電動工具失控。
- ▶ 如果充電電池損壞了，或者未按照規定使用充電電池，充電電池中會散發出有毒蒸氣。工作場所必須保持空氣流通，如果身體有任何不適必須馬上就醫。充電電池散發的蒸氣會刺激呼吸道。
- ▶ 切勿拆開充電電池。可能造成短路。
- ▶ 尖銳物（例如釘子或螺絲起子）或是外力皆有可能造成充電電池損壞。進而導致內部短路而發生電池起火、冒煙、爆炸或過熱等事故。
- ▶ 僅可使用產品的原廠充電電池。如此才可依照產品提供過載保護。



保護充電電池免受高溫（例如長期日照）、火焰、水液和濕氣的侵害。有爆炸的危險。



產品和功率描述



請詳讀所有安全注意事項和指示。如未遵守安全注意事項與指示，可能導致火災、人員遭受電擊及 / 或重傷。

請留意操作說明書中最前面的圖示。

依規定使用機器

此電動工具可用來轉入或旋鬆螺絲，並且可在木材、金屬、混凝土及塑膠等材質上進行鑽孔。此外，GSB 還可在磚塊、混凝土和石材上進行衝擊鑽孔。

插圖上的機件

機件的編號和電動工具詳解圖上的編號一致。

- (1) 工具夾頭
- (2) 快速夾頭
- (3) 預設扭力調整環
- (4) 操作模式選擇開關 (GSB 120-LI)
- (5) 選檔開關
- (6) 正逆轉開關
- (7) 充電電池的解鎖按鈕^{A)}
- (8) 充電電池^{A)}
- (9) 把手（絕緣握柄）
- (10) 起停開關
- (11) 「PowerLight」照明燈
- (12) 螺絲起子工具頭^{A)}
- (13) 工具頭通用夾持器^{A)}

A) 圖表或說明上提到的配件，並不包含在基本的供貨範圍中。本公司的配件清單中有完整的配件供應項目。

技術性數據

充電式起子機		GSR 120-LI	GSB 120-LI
產品機號		3 601 JG8 0..	3 601 JG8 1..
額定電壓	V=	12	12
無負載轉速			
- 1 檔	次 / 分	0 - 400	0 - 400
- 2 檔	次 / 分	0 - 1500	0 - 1500
重量符合 EPTA-Procedure 01:2014	kg	0.97	1.1
容許環境溫度			
- 充電狀態下	°C	-15... +50	-15... +50
- 操作狀態下 ^{A)} 以及存放狀態下	°C	-20... +50	-20... +50
建議使用的充電電池		GBA 12V..	GBA 12V..
建議使用的充電器		GAL 12..CV GAL 12V..	GAL 12..CV GAL 12V..

A) 溫度 <0 °C 時，性能受限

安裝

- ▶ 在電動工具上進行任何維護的工作（例如維修，更換工具等）以及搬運和儲存電動工具之前，都必須電動工具中取出充電電池。若是不小心觸動起停開關，可能造成人員受傷。

取出充電電池（請參考圖 A）

- ▶ 請務必使用配件頁中所列出的充電器。僅有這些充電器適用於電動工具所使用的鋰離子充電電池。

提示：出貨時充電電池已部分充電。首度使用電動工具之前，請先用充電器將充電電池充飽電以確保充電電池蓄滿電力。

鋰離子充電電池可隨時充電，不會縮短電池的使用壽命。如果突然中斷充電，電池也不會損壞。

鋰離子充電電池配備了「電池保護裝置 Electronic Cell Protection (ECP)」，可以防止充電電池過度放電。充電電池的電量如果用盡了，保護開關會自動關閉本充電式吸塵器。

- ▶ 電動工具自動關機後，請勿再按壓電源開關。否則充電電池可能會損壞。

若要取出充電電池 (8)，請按解鎖鈕 (7)，然後將充電電池往下拔出電動工具。不可以強行拉出充電電池。

請您遵照廢棄物處理相關指示。

更換工具（請參考圖 B）

未按下起停開關 (10) 時，工具機轉軸將固定鎖死。因此能夠簡便、快速地更換夾頭上的工具。

往旋轉方向 ① 轉動，將快速夾頭 (2) 打開至能夠裝入工具為止。裝入工具。

沿旋轉方向 ② 徒手用力轉緊快速夾頭 (2) 的套筒，直到聽見咔嗒一聲。這樣才代表夾頭已自動上鎖。

取下工具時，當您反方旋轉套筒，此鎖止裝置便會自動解鎖。

吸除廢塵 / 料屑

含鉛的顏料及部分木材、礦物和金屬的加工廢塵有害健康。機器操作者或者工地附近的人如果接觸、吸入這些廢塵，可能會有過敏反應或者感染呼吸道疾病。

特定粉塵（例如加工橡木或山毛櫸的廢塵）可能致癌，特別是與處理木材的添加劑（例如木材的防腐劑等）混合之後。只有經過專業訓練的人才允許加工含石棉的物料。

- 工作場所要保持空氣流通。

- 建議佩戴 P2 濾網等級的口罩。

請留意並遵守貴國與加工物料有關的法規。

- ▶ 避免讓工作場所堆積過多的塵垢。塵埃容易被點燃。

操作

操作機器

安裝充電電池

提示：若是使用非本電動工具適用的充電電池，可能導致電動工具功能異常或損壞。

將正逆轉開關 (6) 調至中間位置，以防止電動工具意外啟動。將已飽電的充電電池 (8) 放入把手內，直到感覺到它卡上並與把手貼齊。

調整旋轉方向（請參考圖 C）

透過正逆轉開關 (6) 即可變更電動工具的旋轉方向。但按下起停開關 (10) 時，將無法這樣做。

正轉：若要旋入螺栓及旋緊螺母，請將正逆轉開關 (6) 往左推到底。

逆轉：若要鬆開或旋出螺栓與螺母，請將正逆轉開關 (6) 往右推到底。

設定操作模式



鑽孔

GSR 120-LI:

將預設扭力調整環 (3) 移至「鑽孔」符號。

GSB 120-LI:

將操作模式選擇開關 (4) 移至「鑽孔」符號。



拆裝螺栓

GSR 120-LI:

將預設扭力調整環 (3) 設為所需扭力。

GSB 120-LI:

將操作模式選擇開關 (4) 移至「螺栓」符號。

將預設扭力調整環 (3) 設為所需扭力。



衝擊鑽孔

GSB 120-LI:

將操作模式選擇開關 (4) 移至「衝擊鑽孔」符號。

預設扭力

預設扭力調整環 (3) 總共提供 20 段不同的扭力選擇，您可利用它來預設所需扭力。如果設定了合適的扭力，當螺栓在物料中一旋入至表面齊平後，或者說到達所設扭力之後，嵌件工具便會停止轉動。例如在鑽孔時設在 位置，即可停用過載離合器。

鬆開螺栓時，可選用較高設定值，或者請您設在 符號上。

機械式選檔

▶ 電動工具靜止時，才能操作選檔開關 (5)。

選檔開關 (5) 提供 2 種轉速範圍，供您選用。

檔位 I:

低轉速範圍；適合拆裝螺栓，或鑽大孔。

檔位 II:

高轉速範圍；適用於鑽小孔時。

如果選檔開關 (5) 無法推到底，請稍微轉動已裝上嵌件工具的工具夾頭 (1)。

啟動 / 關閉

按下電源開關 (10) 不要放開，即可讓電動工具持續運轉。

輕按起停開關 (10) 或完全按下時，照明燈 (11) 隨即亮起，可照亮光線不足的工作區域。

放開起停開關 (10)，即可讓電動工具停止運轉。

調整轉速

您可為已啟動的電動工具無段調控轉速，轉速是由按壓起停開關 (10) 的深度而定。

輕按起停開關 (10) 時，轉速較低。逐漸在開關上加壓，轉速也會跟著提高。

調整轉速 / 衝擊次數 (GSB 120-LI)

您可為已啟動的電動工具無段調控轉速 / 衝擊次數，轉速是由按壓起停開關 (10) 的深度決定。輕按起停開關 (10) 時，轉速 / 衝擊次數較低。逐漸在開關上加壓，轉速 / 衝擊次數也會跟著提高。

全自動的主軸鎖定功能 (Auto-Lock)

未按下起停開關 (10) 時，工具機轉軸將固定不動，工具夾頭也會鎖死。

因此，即使充電電池沒電了，也可以使用本電動工具旋入螺栓，換句話說，也可以將本機器當做一般螺絲起子使用。

制止慣性轉動功能

夾頭將在起停開關 (10) 放開時隨即制動，以防嵌件工具繼續轉動。

旋入螺栓時，請在螺栓旋入至與工件表面齊平時，才放開起停開關 (10)。如此螺栓頭才不會陷入工件之中。

溫控的過載保護裝置

只要按照規定使用，電動工具就不可能過載。負載過重或充電電池的溫度已超出允許範圍時，電動工具將調降轉速。待充電電池的溫度降回至允許範圍，電動工具才會恢復為全速運轉。

作業注意事項

▶ 電動工具應先停止運轉，然後才放到螺母 / 螺栓上。轉動中的嵌件工具可能會滑開。

使用低轉速長期操作之後，應該讓電動工具以最大轉速空轉約 3 分鐘來幫助機器冷卻。

在金屬上鑽孔時，僅能使用完好的銳利 HSS 鑽頭 (HSS = 高速鋼)。選用博世原廠的配件產品，即可確保符合此品質等級。

將較大、較長螺栓旋入堅硬材質之前，應先以螺紋孔底徑預鑽孔至 2/3 螺栓長度。

維修和服務

維修和清潔

▶ 在電動工具上進行任何維護的工作 (例如維修、更換工具等) 以及搬運和儲存電動工具之前，都必須電動工具中取出充電電池。若是不小心觸動起停開關，可能造成人員受傷。

▶ 電動工具和通風口都必須保持清潔，這樣才能夠提高工作品質和安全性。

顧客服務處和顧客諮詢中心

本公司顧客服務處負責回答有關本公司產品的修理，維護和備件的問題。以下的網頁中有分解圖和備件的資料：www.bosch-pt.com

如果對本公司產品及其配件有任何疑問，博世應用諮詢小組很樂意為您提供協助。

當您需要諮詢或訂購備用零組件時，請務必提供本產品型號銘牌上的 10 位項目編號。

搬運

隨貨附上的鋰離子充電電池受危險物品法的規範。使用者無須另外使用保護包裝便可運送該充電電池。

但是如果將它交由第三者運送（例如：寄空運或委託運輸公司），則應遵照包裝與標示的相關要求。此時必須向危險物品專家請教有關寄送危險物品的相關事宜。

確定充電電池的外殼未受損後，才可以寄送充電電池。用膠帶貼住裸露的接點並妥善包裝充電電池，不可以讓充電電池在包裝材料中晃動。同時也應留意各國相關法規。

廢棄物處理



必須以符合環保的方式，將損壞的電動工具、充電電池、配件和包裝材料進行回收再利用。



不可以把電動工具和充電電池 / 拋棄式電池丟入一般家庭垃圾中！

僅適用於歐盟國家：

依據歐盟指令 2012/19/EU，無法再繼續使用的電動工具必須分別收集起來，然後遵照環保相關法規進行資源回收。而歐盟指令 2006/66/EC 中則要求已故障或汰換下來的充電電池 / 一般電池亦須比照辦理。

充電電池 / 拋棄式電池：

鋰離子：

請注意「搬運」段落中的指示（參見「搬運」，頁 30）。

ไทย

คำเตือนเพื่อความปลอดภัย

คำเตือนเพื่อความปลอดภัยทั่วไปในการใช้เครื่องมือไฟฟ้า

⚠ คำเตือน

อ่านคำเตือนเพื่อความปลอดภัยและคำสั่งทั้งหมด การไม่ปฏิบัติตามคำ

เตือนและคำสั่งอาจเป็นสาเหตุให้ถูกไฟฟ้าดูด เกิดไฟไหม้ และ/หรือได้รับบาดเจ็บอย่างร้ายแรง

เก็บรักษาคำเตือนและคำสั่งทั้งหมดสำหรับเปิดอ่านในภายหลัง

คำว่า "เครื่องมือไฟฟ้า" ในคำเตือนหมายถึง เครื่องมือไฟฟ้าของท่านที่ทำงานด้วยพลังงานไฟฟ้าจากแหล่งจ่ายไฟหลัก (มีสายไฟฟ้า) และเครื่องมือไฟฟ้าที่ทำงานด้วยพลังงานไฟฟ้าจากแบตเตอรี่ (ไร้สาย)

ความปลอดภัยในสถานที่ทำงาน

- ▶ **รักษาสถานที่ทำงานให้สะอาดและมีไฟส่องสว่างดี** สถานที่ที่มีมืดหรือกรุงรุ่งน้าม่าซึ่งอุบัติเหตุ
- ▶ **อย่าใช้เครื่องมือไฟฟ้าทำงานในสภาพบรรยากาศที่จุดติดไฟได้** เช่น ในที่ที่มีของเหลวไวไฟ ก๊าซ หรือฝุ่น เมื่อใช้เครื่องมือไฟฟ้าจะเกิดประกายไฟซึ่งอาจจุดฝุ่นหรือไอให้ลุกเป็นไฟได้
- ▶ **ขณะใช้เครื่องมือไฟฟ้าทำงาน ต้องกั้นเด็กและผู้มีอคู้ให้ออกห่าง** การหันเหความสนใจอาจทำให้ท่านขาดการควบคุมเครื่องได้

ความปลอดภัยเกี่ยวกับไฟฟ้า

- ▶ **ปลั๊กของเครื่องมือไฟฟ้าต้องเหมาะสมกับเต้าเสียบ** อย่าตัดแปลงปลั๊กไม่ว่าในลักษณะใดๆ อย่างเด็ดขาด อย่าใช้ปลั๊กต่างต่อใดๆ กับเครื่องมือไฟฟ้าที่มีสายดิน ปลั๊กที่ไม่ตัดแปลงและเต้าเสียบที่เข้ากันช่วยลดความเสี่ยงจากการถูกไฟฟ้าดูด
- ▶ **หลีกเลี่ยงอย่าให้ร่างกายสัมผัสกับพื้นผิวที่ต่อสายดินหรือลงกราวด์ได้** เช่น ท่อ เครื่องทำความร้อน เต้า และตู้เย็น จะเสี่ยงอันตรายจากการถูกไฟฟ้าดูดมากขึ้นหากกระแสไฟฟ้าวิ่งผ่านร่างกายของท่านลงดิน
- ▶ **อย่าให้เครื่องมือไฟฟ้าถูกฝนหรืออยู่ในสภาพเปียกชื้น** หากน้ำเข้าในเครื่องมือไฟฟ้า จะเพิ่มความเสี่ยงจากการถูกไฟฟ้าดูด
- ▶ **อย่าใช้สายไฟฟ้าในทางที่ผิด** อย่าใช้สายไฟฟ้าเพื่อยก ดึง หรือถอดปลั๊กเครื่องมือไฟฟ้า กั้นสายไฟฟ้าออกจากความร้อน น้ำมัน ขอบแหลมคม หรือชิ้นส่วนที่เคลื่อนที่ สายไฟฟ้าที่ชำรุดหรือพันกันยังเพิ่มความเสี่ยงจากการถูกไฟฟ้าดูด
- ▶ **เมื่อใช้เครื่องมือไฟฟ้าทำงานกลางแจ้ง ให้ใช้สายไฟ** ต่อที่เหมาะสมสำหรับการใช้งานกลางแจ้ง การใช้สายไฟต่อที่เหมาะสมสำหรับงานกลางแจ้งช่วยลดอันตรายจากการถูกไฟฟ้าดูด
- ▶ **หากไม่สามารถหลีกเลี่ยงการใช้เครื่องมือไฟฟ้าทำงาน** ในสถานที่เปียกชื้นได้ ให้ใช้สวิตช์ตัดวงจรเมื่อเกิดการรั่วไหลของไฟฟ้าจากสายดิน (RCD) การใช้สวิตช์ตัดวงจรเมื่อเกิดการรั่วไหลของไฟฟ้าจากสายดินช่วยลดความเสี่ยงต่อการถูกไฟฟ้าดูด

ความปลอดภัยของบุคคล

- ▶ **ท่านต้องอยู่ในสภาพเตรียมพร้อม** ระวังระวังในสิ่งที่ท่านกำลังทำอยู่ และมีสติขณะใช้เครื่องมือไฟฟ้าทำงาน อย่าใช้เครื่องมือไฟฟ้าขณะที่ท่านกำลังเหนื่อย

หรืออยู่ภายใต้การครอบงำของฤทธิ์ของยาเสพติด แอลกอฮอล์ และยา เมื่อใช้เครื่องมือไฟฟ้าทำงาน ในชั่วโมงที่ที่ทำงานขาดความเอาใจใส่อาจทำให้บุคคลบาดเจ็บอย่างรุนแรงได้

- ▶ **ใช้อุปกรณ์ปกป้องร่างกาย สวมแว่นตานิรภัยกันแสง** อุปกรณ์ปกป้อง เช่น หน้ากากกันฝุ่น รองเท้านิรภัย หมวกแข็ง หรืออุปกรณ์กันเสียงดัง ที่เลือกใช้ตามความเหมาะสมกับสภาพการทำงาน สามารถลดอันตรายต่อบุคคลได้
- ▶ **ป้องกันการใช้เครื่องมือโดยไม่ตั้งใจ ตรวจสอบให้แน่ใจว่าสวิตช์อยู่ในตำแหน่งปิดก่อนเชื่อมต่อเข้ากับแหล่งจ่ายไฟ และ/หรือแบตเตอรี่แพ็ค ยกหรือถือเครื่องมือถือเครื่องโดยใช้นิ้วหัวที่สวิตช์ หรือเสียบปลั๊กไฟฟ้าขณะสวิตช์เปิดอยู่** อาจนำไปสู่อุบัติเหตุที่ร้ายแรงได้
- ▶ **นำเครื่องมือปรับแต่งหรือประแจปากตายออกก่อนเปิดสวิตช์เครื่องมือไฟฟ้า เครื่องมือหรือประแจปากตายที่วางอยู่กับส่วนของเครื่องที่กำลังหมุนจะทำให้บุคคลบาดเจ็บได้**
- ▶ **อย่าเอื้อมไกลเกินไป ตั้งทำยี่ห้อที่มั่นคงและวางน้ำหนักให้สมดุลตลอดเวลา**
ในลักษณะนี้ท่านสามารถควบคุมเครื่องมือไฟฟ้าในสถานการณ์ที่ไม่คาดคิดได้ดีกว่า
- ▶ **แต่งกายอย่างเหมาะสม** อย่าใส่เสื้อผ้าหลวมหรือสวมเครื่องประดับ เหน็บ เสื้อผ้า และถุงมือ ออกห่างจากชิ้นส่วนที่กำลังหมุน เสื้อผ้าหลวม เครื่องประดับ และผมยาวอาจเข้าไปติดในส่วนของเครื่องที่กำลังหมุนได้
- ▶ **หากเครื่องมือไฟฟ้ามีข้อเชื่อมต่อกับเครื่องดูดฝุ่นหรือเครื่องเก็บผง ให้ตรวจสอบให้แน่ใจว่าได้เชื่อมต่อและใช้งานอย่างถูกต้อง** การใช้อุปกรณ์ดูดฝุ่นช่วยลดอันตรายที่เกิดจากฝุ่นได้

การใช้และการดูแลรักษาเครื่องมือไฟฟ้า

- ▶ **อย่านำชิ้นกำลังเครื่องมือไฟฟ้า ใช้เครื่องมือไฟฟ้าที่ถูกต้องตรงตามลักษณะงานของท่าน** เครื่องมือไฟฟ้าที่ถูกต้องจะทำงานได้ดีกว่าและปลอดภัยกว่าในระดับสมรรถภาพที่ออกแบบไว้
- ▶ **อย่าใช้เครื่องมือไฟฟ้าถ้าสวิตช์ไม่สามารถเปิดปิดได้** เครื่องมือไฟฟ้าที่ไม่สามารถควบคุมการเปิดปิดด้วยสวิตช์ได้ เป็นเครื่องมือไฟฟ้าที่ไม่ปลอดภัยและต้องส่งซ่อมแซม
- ▶ **ก่อนปรับแต่งเครื่อง เปลี่ยนอุปกรณ์ประกอบ หรือเก็บเครื่องมือไฟฟ้าเข้าที่ ต้องถอดปลั๊กไฟออกจากแหล่งจ่ายไฟ และ/หรือถอดแบตเตอรี่แพ็คออกจากเครื่องมือไฟฟ้า** มาตรการป้องกันเพื่อความปลอดภัยนี้ช่วยลดความเสี่ยงจากการติดเครื่องโดยไม่ตั้งใจ

- ▶ **เมื่อเลิกใช้งานเครื่องมือไฟฟ้า ให้เก็บเครื่องมือไว้ในที่เด็กหยิบไม่ถึง และไม่อนุญาตให้บุคคลที่ไม่คุ้นเคยกับเครื่องหรือบุคคลที่ไม่ได้อ่านคำแนะนำเหล่านี้ใช้เครื่องมือไฟฟ้าเป็นของอันตรายหากตกอยู่ในมือของผู้ใช้ที่ไม่ได้รับการฝึกฝน**
- ▶ **บำรุงรักษาเครื่องมือไฟฟ้า ตรวจสอบชิ้นส่วนที่เคลื่อนที่ว่าวางไม่ตรงแนวหรือติดขัดหรือไม่ ตรวจหาการแตกหักของชิ้นส่วนและสภาพอื่นใดที่อาจมีผลต่อการทำงานของเครื่องมือไฟฟ้า หากชำรุดต้องส่งเครื่องมือไฟฟ้าไปซ่อมแซมก่อนใช้งาน** อุบัติเหตุหลายอย่างเกิดขึ้นเนื่องจากดูแลรักษาเครื่องมือไม่ดีพอ
- ▶ **รักษาเครื่องมือตัดให้คมและสะอาด** หากบำรุงรักษาเครื่องมือที่มีขอบตัดแหลมคมอย่างถูกต้องจะสามารถตัดได้ลื่นไม่ติดขัดและควบคุมได้ง่ายกว่า
- ▶ **ใช้เครื่องมือไฟฟ้า อุปกรณ์ประกอบ เครื่องมือ และอุปกรณ์อื่นๆ ตรงตามคำแนะนำเหล่านี้** โดยคำนึงถึงเงื่อนไขการทำงานและงานที่จะทำ การใช้เครื่องมือไฟฟ้าทำงานที่ต่างไปจากวัตถุประสงค์การใช้งานของเครื่อง อาจนำไปสู่สถานการณ์ที่เป็นอันตรายได้

การใช้และการดูแลรักษาเครื่องมือที่ใช้แบตเตอรี่

- ▶ **ชาร์จไฟใหม่ด้วยเครื่องชาร์จที่บริษัทผู้ผลิตระบุไว้เท่านั้น**
เครื่องชาร์จที่เหมาะสมสำหรับชาร์จแบตเตอรี่ประเภทหนึ่ง หากนำไปชาร์จแบตเตอรี่ประเภทอื่น อาจเกิดไฟไหม้ได้
- ▶ **ใช้เครื่องมือไฟฟ้าเฉพาะกับแบตเตอรี่แพ็คที่กำหนดไว้เท่านั้น** การใช้แบตเตอรี่แพ็คประเภทอื่นเสี่ยงต่อการเกิดไฟไหม้หรือบาดเจ็บ
- ▶ **เมื่อไม่ใช้งานแบตเตอรี่แพ็ค ให้เก็บไว้ห่างวัตถุที่เป็นโลหะอื่นๆ เช่น คลิปหนีบกระดาษ เหรียญ กุญแจ ตะปู สกรู หรือวัตถุที่เป็นโลหะขนาดเล็กอื่นๆ ที่สามารถเชื่อมต่อเข้าหนึ่งไปยังอีกเข้าหนึ่งได้**
การลัดวงจรของขั้วแบตเตอรี่อาจทำให้เกิดการไหม้หรือไฟลุกได้
- ▶ **หากใช้แบตเตอรี่อย่างอาจมีของเหลวไหลออกมาจากแบตเตอรี่ได้ ให้หลีกเลี่ยงการสัมผัส หากสัมผัสโดยบังเอิญ ให้ใช้น้ำล้าง** หากของเหลวไหลเข้าตา ให้ขอความช่วยเหลือจากแพทย์ด้วย
ของเหลวที่ไหลออกมาจากแบตเตอรี่อาจทำให้เกิดอาการคันหรือแสบผิวหนังได้

การบริการ

- ▶ **ส่งเครื่องมือไฟฟ้าของท่านเข้ารับบริการจากช่างซ่อมที่มีคุณสมบัติเหมาะสม โดยใช้อะไหล่ที่เหมือน**

กันเท่านั้น ในลักษณะนี้ท่านจะแน่ใจได้ว่าเครื่องมือไฟฟ้าอยู่ในสภาพที่ปลอดภัย

คำเตือนเพื่อความปลอดภัย

สำหรับส่วและไขควง

- ▶ **สวมประภพป้องกันเสียงดังเมื่อเจาะกระแทก** การรับฟังเสียงดังอาจทำให้สูญเสียการได้ยิน
- ▶ **ใช้ตามจับเพิ่มหากจัดส่งมาพร้อมกับเครื่อง** การสูญเสียการควบคุมอาจทำให้บุคคลได้รับบาดเจ็บ
- ▶ **ใช้เครื่องตรวจจับที่เหมาะสมเพื่อตรวจหาสายไฟฟ้าหรือท่อสาธารณูปโภคที่อาจซ่อนอยู่ในบริเวณทำงานหรือติดต่อบริษัทสาธารณูปโภคในพื้นที่เพื่อขอความช่วยเหลือ** การสัมผัสกับสายไฟฟ้าอาจทำให้เกิดไฟไหม้หรือถูกไฟฟ้าดูด การทำให้ออกแก๊สเสียหยาอาจทำให้เกิดระเบิด การเจาะเข้าไปในท่อ น้ำ ทำให้ทรัพย์สินเสียหาย
- ▶ **เมื่อทำงานในบริเวณที่เครื่องมือตัดหรือสกรูอาจสัมผัสสายไฟฟ้าที่ซ่อนอยู่ ต้องจับเครื่องมือไฟฟ้าตรงพื้นผิวจับที่หุ้มฉนวน** หากเครื่องมือตัดและสกรูล้มสัมผัสสายที่ "มีกระแสไฟฟ้า" ไหลผ่าน จะทำให้ชิ้นส่วนโลหะที่ไม่ได้หุ้มฉนวนของเครื่องมือไฟฟ้าเกิด "มีกระแสไฟฟ้า" ด้วย และส่งผลให้ผู้ใช้งานเครื่องถูกไฟฟ้าดูดได้
- ▶ **จับเครื่องมือไฟฟ้าให้แน่น** ขณะขันสกรูเข้าและคลายออก อาจเกิดแรงบิดสะท้อนช่วงสั้นๆ อย่างรุนแรงได้
- ▶ **ยึดชิ้นงานให้แน่น** การยึดชิ้นงานด้วยเครื่องหนีบหรือแท่นจับจะมั่นคงกว่าการยึดด้วยมือ
- ▶ **รอให้เครื่องมือไฟฟ้าหยุดสนิทก่อนวางเครื่องลงบนพื้น** เครื่องมือที่ใส่อยู่อาจติดขัดและทำให้สูญเสียการควบคุมเครื่องมือไฟฟ้า
- ▶ **เมื่อแบตเตอรี่ชาร์จและนำไปใช้งานอย่างไม่ถูกต้อง อาจมีไอระเหยออกมาได้** ให้สูดอากาศบริสุทธิ์ และหาแพทย์ในกรณีเจ็บปวด ไอระเหยอาจทำให้ระบบหายใจระคายเคือง
- ▶ **อย่าเปิดแบตเตอรี่** อันตรายจากการลัดวงจร
- ▶ **วัตถุที่แหลมคม ต. ย. เช่น ตะปูหรือไขควง หรือแรงกระทำภายนอก อาจทำให้แบตเตอรี่เสียหายได้** สิ่งเหล่านี้ อาจทำให้เกิดการลัดวงจรภายในและแบตเตอรี่ใหม่ มีควัน ระเบิด หรือร้อนเกินไป
- ▶ **ใช้แบตเตอรี่แพ็คเกจเฉพาะในผลิตภัณฑ์ของผู้ผลิตเท่านั้น** ในลักษณะนี้ แบตเตอรี่แพ็คเกจจะได้รับการปกป้องจากการใช้งานเกินกำลังซึ่งเป็นอันตราย



ปกป้องแบตเตอรี่จากความร้อน รวมทั้ง ต. ย. เช่น จากการถูกแสงแดดส่องต่อเนื่อง จากไฟ น้ำ และความชื้น อันตรายจากการระเบิด

รายละเอียดผลิตภัณฑ์และข้อมูล

จำเพาะ



อ่านคำเตือนเพื่อความปลอดภัยและคำแนะนำทั้งหมด การไม่ปฏิบัติตามคำเตือนและคำสั่งอาจเป็นสาเหตุให้ถูกไฟฟ้าดูด เกิดไฟไหม้ และ/หรือได้รับบาดเจ็บอย่างร้ายแรง

กรุณาดูภาพประกอบในส่วนหน้าของคู่มือการใช้งาน

ประโยชน์การใช้งานของเครื่อง

เครื่องนี้ใช้สำหรับขันสกรูเข้าและคลายออก รวมทั้งเจาะรูในไม้ โลหะ เซรามิก และพลาสติก รุ่น GSB ยังใช้สำหรับการเจาะกระแทกในอิฐ คอนกรีต และหินได้ด้วย

ส่วนประกอบที่แสดงภาพ

ลำดับเลขของส่วนประกอบผลิตภัณฑ์อ้างอิงถึงส่วนประกอบของเครื่องที่แสดงในหน้าภาพประกอบ

- (1) ด้ามจับเครื่องมือ
- (2) หัวจับดอกชนิดจับเร็ว
- (3) แหวนตั้งแรงบิดล่วงหน้า
- (4) สวิตช์เลือกโหมดการทำงาน (GSB 120-LI)
- (5) สวิตช์ตั้งเกียร์
- (6) สวิตช์เปลี่ยนทิศทางการหมุน
- (7) แป้นปลดล็อกแบตเตอรี่แพ็ค^{A)}
- (8) แบตเตอรี่แพ็ค^{A)}
- (9) ด้ามจับ (พื้นผิวจับหุ้มฉนวน)
- (10) สวิตช์เปิด-ปิด
- (11) หลอดไฟ "Power Light"
- (12) ดอกไขควง^{A)}
- (13) ก้านจับดอกทั่วไป^{A)}

A) อุปกรณ์ประกอบที่แสดงภาพหรืออธิบายไม่รวมอยู่ในการจัดส่งมาตรฐาน
กรุณาดูอุปกรณ์ประกอบทั้งหมดในรายการแสดงอุปกรณ์ประกอบของเรา

ข้อมูลทางเทคนิค

ไขควงไร้สาย		GSR 120-LI	GSB 120-LI
หมายเลขสินค้า		3 601 JG8 0..	3 601 JG8 1..
แรงดันไฟฟ้าฟัด	V=	12	12
ความเร็วรอบเดินตัวเปล่า			
- เกียร์ 1	รอบ/นาที	0 - 400	0 - 400
- เกียร์ 2	รอบ/นาที	0 - 1500	0 - 1500
น้ำหนักตามระเบียบการ-EPTA-Procedure 01:2014	กก.	0.97	1.1
อุณหภูมิโดยรอบที่อนุญาต			
- เมื่อชาร์จ	°C	0... +45	0... +45
- เมื่อใช้งาน ^{A)} และระหว่างการเก็บรักษา	°C	-20... +50	-20... +50
แบตเตอรี่แพ็คที่แนะนำ		GBA 12V..	GBA 12V..
เครื่องชาร์จที่แนะนำ		GAL 12..CV GAL 12V..	GAL 12..CV GAL 12V..

A) สมรรถภาพจะน้อยลงที่อุณหภูมิ <0 °C

การติดตั้ง

- ▶ ถอดแบตเตอรี่ออกจากเครื่องมือไฟฟ้าก่อนทำการปรับแต่งใดๆ ที่เครื่องมือไฟฟ้า (ต. ย. เช่น บำรุงรักษา เปลี่ยนเครื่องมือ ฯลฯ) รวมทั้งเมื่อขนย้ายและเก็บรักษาอันตรายจากการบาดเจ็บหากสวิตช์เปิด-ปิดติดขึ้นอย่างผิดตั้ง

การถอดแบตเตอรี่แพ็ค (ดูภาพประกอบ A)

- ▶ ใช้เฉพาะเครื่องชาร์จแบตเตอรี่ที่ระบุในหน้าอุปกรณ์ประกอบเท่านั้น เฉพาะเครื่องชาร์จแบตเตอรี่เหล่านี้เท่านั้นที่เข้าชุดกับแบตเตอรี่ลิเธียม ไอออน ของเครื่องมือไฟฟ้าของท่าน

หมายเหตุ: แบตเตอรี่แพ็คที่จัดส่งมาถูกชาร์จมาแล้วบางส่วน เพื่อให้แบตเตอรี่แพ็คทำงานได้เต็มประสิทธิภาพ

ต้องชาร์จแบตเตอรี่แพ็ค

ในเครื่องชาร์จแบตเตอรี่ให้เต็มก่อนใช้งานเครื่องมือไฟฟ้าของท่านเป็นครั้งแรก

แบตเตอรี่ลิเธียม ไอออน

สามารถชาร์จได้ตลอดเวลาโดยอายุการใช้งานจะไม่ลดลง การชาร์จจะกระบวนชาร์จไม่ทำให้แบตเตอรี่แพ็คเสียหาย “Electronic Cell Protection (ECP)” ช่วยป้องกันไม่ให้แบตเตอรี่ลิเธียม ไอออน จ่ายกระแสไฟออกอีก

เมื่อแบตเตอรี่แพ็คหมดไฟ วงจรป้องกันจะปิดสวิตช์เครื่องดูด-แบตเตอรี่แพ็ค

- ▶ เมื่อเครื่องมือไฟฟ้าปิดสวิตช์ลงโดยอัตโนมัติ อย่ากดสวิตช์เปิด-ปิด อีกต่อไป แบตเตอรี่แพ็คอาจชำรุดได้ หากต้องการถอดแบตเตอรี่แพ็ค (8) ออก ให้กดแป้นปลดล็อกแบตเตอรี่ (7) และดึงแบตเตอรี่แพ็คลงด้านล่างออกจากเครื่องมือไฟฟ้า **อย่าใช้กำลังดึง** อ่านและปฏิบัติตามข้อสังเกตสำหรับการกำจัดขยะ

การเปลี่ยนเครื่องมือ (ดูภาพประกอบ B)

แกนส่วนจะถูกล็อกไว้เมื่อไม่กดสวิตช์เปิด-ปิด (10) ในลักษณะนี้ท่านจะสามารถเปลี่ยนเครื่องมือในหัวจับดอกได้ง่าย รวดเร็ว และสะดวก

เปิดหัวจับดอกชนิดจับเร็ว (2) โดยหมุนไปในทิศทางหมุน ⚙ จนสามารถใส่เครื่องมือได้ ใส่เครื่องมือเข้า

ใช้มือหมุนปลอกของหัวจับดอกชนิดจับเร็ว (2) ไปในทิศทางหมุน ⚙ จนได้ยินเสียงคลิก ในลักษณะนี้หัวจับดอกจะถูกล็อกโดยอัตโนมัติ

การล็อกจะถูกปลดออกอีกครั้งเมื่อท่านหมุนปลอกไปในทิศทางตรงกันข้ามเพื่อถอดเครื่องมือออก

การดูแล/ขีเสี่ยว

ฝุ่นที่ได้จากวัสดุ เช่น เคลือบผิวที่มีสารตะกั่ว ไม้บางประเภท แร่ธาตุ และโลหะ อาจเป็นอันตรายต่อสุขภาพ การสัมผัสหรือการหายใจเอาฝุ่นเข้าไปอาจทำให้เกิดปฏิกิริยาแพ้ฝุ่น และ/หรือเข้ามาซึ่งโรคติดเชื้อระบบหายใจแก่ผู้ใช้เครื่องมือผู้ที่ขึ้นอยู่กับความเสี่ยง

- ฝุ่นบางประเภท เช่น ฝุ่นไม้ไผ่ หรือไม้มีซ้ นับ เป็นสารที่ทำให้เกิดมะเร็ง โดยเฉพาะอย่างยิ่งเมื่อผสม กับสารเติมแต่งเพื่อบำบัดไม้ (โครเมต ผลิตภัณฑ์รักษาเนื้อไม้) สำหรับวัสดุที่มีแอลเบสทอสต้องให้ผู้เชี่ยวชาญทำงานเท่านั้น
- จัดสถานที่ทำงานให้มีการระบายอากาศที่ดี
 - ขอแนะนำให้สวมหน้ากากป้องกันการติดเชื้อที่มีระดับ-ไล กรอง P2

ปฏิบัติตามกฎข้อบังคับสำคัญอื่นๆ ที่เกี่ยวกับวัสดุชิ้นงาน ที่บังคับใช้ในประเทศของท่าน

- ▶ **ป้องกันการสะสมของฝุ่นในสถานที่ทำงาน**
ฝุ่นสามารถถูกไล่ออกอย่างง่ายดาย

การปฏิบัติงาน

การเริ่มต้นปฏิบัติงาน

การใส่แบตเตอรี่

หมายเหตุ: การใช้แบตเตอรี่แพ็คที่ไม่เหมาะกับเครื่องมือ ไฟฟ้าของท่านอาจทำให้เครื่องมือไฟฟ้าทำงานผิดปกติหรือเสียหายได้

ตั้งสวิตช์เปลี่ยนทิศทางการหมุน (6) ไว้ที่กึ่งกลางเพื่อป้องกันการเปิดสวิตช์โดยไม่ตั้งใจ ใส่แบตเตอรี่แพ็คที่ชาร์จไฟแล้ว (8) เข้าในตามจับจนได้ยินเสียงล็อกเข้าที่และวางราบเสมอกันกับตามจับ

การตั้งทิศทางการหมุน (ดูภาพประกอบ C)

ท่านสามารถเปลี่ยนทิศทางการหมุนของเครื่องมือไฟฟ้าได้ ด้วยสวิตช์เปลี่ยนทิศทางการหมุน (6) อย่างไรก็ตาม หากสวิตช์เปิด-ปิด (10) ถูกกดอยู่ จะกลับทิศทางการหมุนไม่ได้

การหมุนทางขวา: สำหรับการเจาะและการขันสกรูเข้า ให้ กดสวิตช์เปลี่ยนทิศทางการหมุน (6) ไปทางซ้ายจนสุด

การหมุนทางซ้าย: สำหรับคลายหรือหมุนสกรูและนอตออก ให้กดสวิตช์เปลี่ยนทิศทางการหมุน (6) ไปทางขวาจนสุด

การตั้งโหมดการทำงาน



การเจาะ
GSR 120-LI:

ตั้งแหวนตั้งแรงบิดล่วงหน้า (3) ไว้ที่สัญลักษณ์ “การเจาะ”

GSR 120-LI:

ตั้งสวิตช์เลือกโหมดการทำงาน (4) ไว้ที่สัญลักษณ์ “การเจาะ”



การขันสกรู
GSR 120-LI:

ตั้งแหวนตั้งแรงบิดล่วงหน้า (3) ไว้ที่แรงบิดที่ ต้องการ

GSR 120-LI:

ตั้งสวิตช์เลือกโหมดการทำงาน (4) ไว้ที่ สัญลักษณ์ “การขันสกรู”

ตั้งแหวนตั้งแรงบิดล่วงหน้า (3) ไว้ที่แรงบิดที่ ต้องการ



การเจาะกระแทก
GSR 120-LI:

ตั้งสวิตช์เลือกโหมดการทำงาน (4) ไว้ที่ สัญลักษณ์ “การเจาะกระแทก”

การตั้งแรงบิด

ท่านสามารถเลือกแรงบิดที่ต้องการล่วงหน้าได้ 20 ชั้นด้วย แหวนตั้งแรงบิดล่วงหน้า (3) หากตั้งไว้ถูกต้อง เครื่องมือที่ใส่ อยู่จะหยุดในทันทีที่สกรูถูกขันเข้าไปเมื่อวัสดุอย่างราบ เรียบแล้ว หรือหยุดเมื่อถึงแรงบิดที่ตั้งไว้ ในตำแหน่ง **↖** คลัทช์นิรภัยจะไม่ทำงาน ต.ย. เช่น สำหรับการเจาะ เมื่อต้องการขันสกรูออก ให้เลือกค่าที่สูงขึ้นหรือสับสวิตช์ไปที่ สัญลักษณ์ **↖**

การเลือกเกียร์ ระบบกลไก

▶ **สับสวิตช์ตั้งเกียร์ (5) เมื่อเครื่องหยุดนิ่งอยู่กับที่เท่านั้น**
ปุ่มตั้งเกียร์ (5) สามารถตั้งความเร็วรอบล่วงหน้าได้สองช่วง **เกียร์ I:**

ความเร็วรอบต่ำ สำหรับการขันสกรู หรือการเจาะรูเส้น ผ่านศูนย์กลางขนาดใหญ่

เกียร์ II:

ความเร็วรอบสูงกว่า สำหรับการเจาะรูเส้นผ่านศูนย์กลางขนาดเล็ก

หากไม่สามารถเลื่อนสวิตช์ตั้งเกียร์ (5) ไปจนสุด ให้หมุนตาม จับเครื่องมือ (1) พร้อมเครื่องมือเล็กน้อย

การเปิด-ปิดเครื่อง

สตาร์ท เครื่องมือไฟฟ้าโดยกดสวิตช์เปิด-ปิด (10) และกด ค้างไว้

หลอดไฟ (11) ติดขึ้นเมื่อกดสวิตช์เปิด-ปิด (10) เล็กน้อยหรือเต็มที่ และช่วยส่องสว่างพื้นที่ทำงานเมื่อมีสภาพแสงที่ไม่เหมาะสม

ปิด เครื่องมือไฟฟ้าโดยปล่อยนิ้วจากสวิตช์เปิด-ปิด (10)

การปรับความเร็วรอบ

ท่านสามารถปรับความเร็วรอบของเครื่องมือไฟฟ้าที่เปิดสวิตช์ อยู่ได้อย่างต่อเนื่องตามแรงกดมากขึ้นหรือน้อยบนสวิตช์เปิด-ปิด (10)

การกดสวิทช์เปิด-ปิด (10) เมาะจะไ้ความเร็วรอบต่ำ การกดสวิทช์แรงยั้งขึ้นจะไ้ความเร็วรอบสูงขึ้น

การปรับความเร็วรอบ/ความเร็วกระแส (GSB 120-LI)

ท่านสามารถปรับความเร็วรอบ/ความเร็วกระแสของเครื่องมือไฟฟ้าที่เปิดสวิทช์อยู่ได้อย่างต่อเนื่องตามแรงกดมากน้อยบนสวิทช์เปิด-ปิด (10)

การกดสวิทช์เปิด-ปิด (10) เมาะจะไ้ความเร็วรอบ/ความเร็วกระแสต่ำ การกดสวิทช์แรงยั้งขึ้นจะไ้ความเร็วรอบ/ความเร็วกระแสเพิ่มขึ้น

ล็อคแกนด้วยระบบอัตโนมัติทั้งหมด (auto-lock)

แกนสว่านและต้ามจับเครื่องมือจะถูกล็อคไว้เมื่อไม่กดสวิทช์เปิด-ปิด (10)

ในลักษณะนี้จะช่วยให้สามารถขนส่งได้แม้เมื่อแบตเตอรี่หมดหรือใช้เครื่องมือไฟฟ้าเป็นไขควงได้

เบรกกันการหมุนต่อ

เมื่อปล่อยนิ้วจากสวิทช์เปิด-ปิด (10) หัวจับดอกจะถูกเบรกใหญ่หุด จึงเป็นการยั้งยั้งไม่ให้เครื่องมือหมุนต่อได้

เมื่อขันสกรูเข้า ให้รอจนสกรูถูกขันราบเสมอกับแผ่นชิ้นงาน จากนั้นจึงปล่อยนิ้วจากสวิทช์เปิด-ปิด (10) ในลักษณะนี้หัวสกรูจะไม่แทงทะลุเข้าไปในเนื้อวัสดุ

การป้องกันการใช้งานเกินกำลังโดยอาศัยอุณหภูมิ

เมื่อใช้งานเครื่องมือไฟฟ้าตรงตามวัตถุประสงค์ เครื่องจะไม่ทำงานเกินกำลัง หากเครื่องมือไฟฟ้าถูกใช้งานเกินกำลังหรือไม่อยู่ในช่วงอุณหภูมิทำงานที่อนุญาต ความเร็วรอบจะลดลง เครื่องมือไฟฟ้าจะทำงานด้วยความเร็วรอบเต็มกำลังอีกครั้ง เฉพาะเมื่อถึงอุณหภูมิทำงานที่อนุญาตแล้วเท่านั้น

ข้อแนะนำในการทำงาน

▶ **จับเครื่องมือไฟฟ้าเข้านหัวสกรู/นอตเมื่อเครื่องปิดอยู่เท่านั้น** เครื่องมือที่หมุนอยู่อาจลื่นไถล

หลังจากทำงานที่ความเร็วรอบต่ำเป็นเวลานาน ท่านควรเดินเครื่องมือไฟฟ้าตัวเปล่าที่ความเร็วสูงสุดเป็นเวลาประมาณ 3 นาทีเพื่อให้เครื่องเย็นลง

ให้ใช้เฉพาะดอกสว่าน HSS (HSS = high-speed steel) ที่ลึบคมอย่างดีสำหรับเจาะโลหะ โปรแกรม-อุปกรณ์ประกอบ-บ็อกซ์ รัยประกันคุณภาพที่เหมาะสม

ก่อนขันสกรูตัวใหญ่กว่า ยาวกว่า เข้าในเบ้นวัสดุแข็ง ท่านควรเจาะรูนำด้วยเส้นผ่าศูนย์กลางหลักของเกลียวสักประมาณ 2/3 ของความยาวสกรู

การบำรุงรักษาและการบริการ

การบำรุงรักษาและการทำความสะอาด

- ▶ **ถอดแบตเตอรี่ออกจากเครื่องมือไฟฟ้าก่อนทำการปรับแต่งใดๆ ที่เครื่องมือไฟฟ้า (ต. ย. เช่น บำรุงรักษา เปลี่ยนเครื่องมือ ฯลฯ) รวมทั้งเมื่อขนย้ายและเก็บรักษา** อันตรายจากการบาดเจ็บหากสวิทช์เปิด-ปิดติดขึ้นอย่างไม่ตั้งใจ
- ▶ **เพื่อให้ทำงานได้อย่างถูกต้องและปลอดภัย ต้องรักษาเครื่องและช่องระบายอากาศ ให้สะอาดอยู่เสมอ**

การบริการหลังการขายและการให้คำปรึกษาการใช้งาน

ศูนย์บริการหลังการขายของเรายินดีตอบคำถามของท่านที่เกี่ยวกับการบำรุงรักษาและการซ่อมแซมผลิตภัณฑ์รวมทั้งเรื่องอะไหล่ ภาพเขียนแบบการประกอบและข้อมูลเกี่ยวกับอะไหล่ กรุณาดูใน: www.bosch-pt.com ที่มงานที่ปรึกษาของ บ็อกซ์ ยินดีให้ข้อมูลเกี่ยวกับผลิตภัณฑ์ของเราและอุปกรณ์ประกอบต่างๆ

เมื่อต้องการสอบถามและสั่งซื้ออะไหล่ กรุณาแจ้งหมายเลขสินค้า 10 หลักบนแผ่นป้ายรุ่นของผลิตภัณฑ์ทุกครั้ง

ไทย

ไทย บริษัท โรเบิร์ต บ็อกซ์ จำกัด
เอฟวายไอ เซ็นเตอร์ อาคาร 1 ชั้น 5
เลขที่ 2525 ถนนพระราม 4
แขวงคลองเตย เขตคลองเตย
กรุงเทพฯ 10110

โทร: +66 2012 8888

แฟกซ์: +66 2064 5800

www.bosch.co.th

ศูนย์บริการซ่อมและฝึกอบรม บ็อกซ์
อาคาร ลาซาลทาวเวอร์ ชั้น G ห้องเลขที่ 2
บ้านเลขที่ 10/11 หมู่ 16

ถนนศรีนครินทร์

ตำบลบางแก้ว อำเภอบางพลี

จังหวัดสมุทรปราการ 10540

ประเทศไทย

โทรศัพท์ 02 7587555

โทรสาร 02 7587525

การขนส่ง

แบตเตอรี่ลิเธียม ไอออน ที่บรรจุอยู่ภายใน
ได้ออกกำหนดแห่งกฎหมายสินค้าอันตราย ผู้

ใช้สามารถขนส่งแบตเตอรี่แพ็คโดยทางถนนโดยไม่มีข้อบังคับอื่นหากขนส่งโดยบุคคลที่สาม (เช่น : การขนส่งทางอากาศ หรือตัวแทนขนส่งสินค้า) ต้องปฏิบัติตามข้อกำหนดพิเศษเกี่ยวกับการบรรจุภัณฑ์และการติดฉลาก สำหรับการจัดเตรียมสิ่งของที่จัดส่ง จำเป็นต้องปรึกษาผู้เชี่ยวชาญด้านวัตถุอันตราย

ส่งแบตเตอรี่แพ็คเมื่อตัวหุ้มไม่ชำรุดเสียหายเท่านั้น ใช้อุปกรณ์กาวพันปิดหน้าสัมผัสที่เบ็ดเตล็ด และนำแบตเตอรี่แพ็คใส่กล่องบรรจุโดยไม่ให้เคลื่อนไปมาในกล่องได้ นอกจากนี้ กรุณาปฏิบัติตามกฎระเบียบของประเทศซึ่งอาจมีรายละเอียดเพิ่มเติม

การกำจัดขยะ



เครื่องมือไฟฟ้า แบตเตอรี่แพ็ค อุปกรณ์ประกอบ และที่ห่อ ต้องนำ

ไปแยกประเภทวัสดุเพื่อนำกลับมาใช้ใหม่โดยไม่ทำลายสภาพแวดล้อม



อย่าทิ้งเครื่องมือไฟฟ้าและแบตเตอรี่แพ็ค/แบตเตอรี่ที่นำกลับมารีไซเคิลใหม่ได้ ลงในขยะบ้าน!

สำหรับประเทศสมาชิกสหภาพยุโรปเท่านั้น:

ตามระเบียบสหภาพยุโรป 2012/19/EU ต้องนำเครื่องมือไฟฟ้าที่ไม่สามารถใช้งานได้อีกต่อไป และตามระเบียบสหภาพยุโรป 2006/66/EC ต้องนำแบตเตอรี่แพ็ค/แบตเตอรี่ที่ชำรุดหรือใช้แล้วไปเก็บแยกต่างหากและส่งเข้าสู่กระบวนการรีไซเคิลที่เป็นมิตรต่อสิ่งแวดล้อม

แบตเตอรี่แพ็ค/แบตเตอรี่:

ลิเธียม ไอออน:

กรุณาปฏิบัติตามคำแนะนำในบทการขนส่ง (ดู "การขนส่ง", หน้า 35)

Bahasa Indonesia

Petunjuk Keselamatan

Petunjuk Keselamatan Umum Perangkat Listrik

⚠ PERINGATAN Bacalah semua petunjuk keselamatan dan semua petunjuk penggunaan. Kesalahan dalam menjalankan petunjuk keselamatan dan petunjuk penggunaan dapat mengakibatkan sengatan listrik, kebakaran, dan/atau cedera serius.

Simpanlah semua petunjuk keselamatan dan petunjuk penggunaan untuk acuan di masa mendatang.

Istilah "perkakas listrik" dalam petunjuk keselamatan mengacu pada perkakas listrik yang dioperasikan dengan listrik (menggunakan kabel) atau perkakas listrik yang dioperasikan dengan baterai (tanpa kabel).

Keamanan tempat kerja

- ▶ **Jaga kebersihan dan pencahayaan area kerja.** Area yang berantakan atau gelap dapat memicu kecelakaan.
- ▶ **Jangan mengoperasikan perkakas listrik di lingkungan yang dapat memicu ledakan, seperti adanya cairan, gas, atau debu yang mudah terbakar.** Perangkat listrik dapat memancarkan bunga api yang kemudian mengakibatkan debu atau uap terbakar.
- ▶ **Jauhkan dari jangkauan anak-anak dan pengamat saat mengoperasikan perkakas listrik.** Gangguan dapat menyebabkan hilangnya kendali.

Keamanan listrik

- ▶ **Steker perkakas listrik harus sesuai dengan stopkontak. Jangan pernah memodifikasi steker. Jangan menggunakan steker adaptor bersama dengan perkakas listrik yang terhubung dengan sistem grounding.** Steker yang tidak dimodifikasi dan stopkontak yang cocok akan mengurangi risiko sengatan listrik.
- ▶ **Hindari kontak badan dengan permukaan yang terhubung dengan sistem grounding, seperti pipa, radiator, kompor, dan lemari es.** Terdapat peningkatan risiko terjadinya sengatan listrik jika badan Anda terhubung dengan sistem grounding.
- ▶ **Perkakas listrik tidak boleh terpapar hujan atau basah.** Air yang masuk ke dalam perkakas listrik menambah risiko terjadinya sengatan listrik.
- ▶ **Jangan menyalahgunakan kabel. Jangan gunakan kabel untuk membawa, menarik, atau melepas steker perkakas listrik. Jauhkan kabel dari panas, minyak, tepi yang tajam, atau komponen yang bergerak.** Kabel listrik yang rusak atau tersangkut menambah risiko terjadinya sengatan listrik.
- ▶ **Saat mengoperasikan perkakas listrik di luar ruangan, gunakan kabel ekstensi yang sesuai untuk penggunaan di luar ruangan.** Penggunaan kabel yang cocok untuk pemakaian di luar ruangan mengurangi risiko terjadinya sengatan listrik.
- ▶ **Jika perkakas listrik memang harus dioperasikan di tempat yang lembap, gunakan pemutus arus listrik residu (RCD).** Penggunaan RCD akan mengurangi risiko terjadinya sengatan listrik.

Keselamatan personel

- ▶ **Tetap waspada, perhatikan aktivitas yang sedang dikerjakan, dan gunakan akal sehat saat mengoperasikan perkakas listrik. Jangan gunakan perkakas listrik saat mengalami kelelahan atau di bawah pengaruh narkoba, alkohol, atau obat-obatan.** Jika perkakas listrik dioperasikan dengan daya

konsentrasi yang rendah, hal tersebut dapat menyebabkan cedera serius.

- ▶ **Gunakan peralatan pelindung diri. Selalu kenakan pelindung mata.** Dengan memakai pakaian dan sarana pelindung, misalnya masker anti debu, sepatu tertutup yang tidak licin, helm pelindung, atau pemalut telinga sesuai dengan pekerjaan yang dilakukan, hal tersebut dapat mengurangi risiko cedera.
- ▶ **Hindari start yang tidak disengaja. Pastikan switch berada di posisi off sebelum perkakas listrik dihubungkan ke sumber daya listrik dan/atau baterai, diangkat, atau dibawa.** Membawa perkakas listrik dengan jari menempel pada tombol atau perkakas listrik dalam keadaan hidup dapat memicu kecelakaan.
- ▶ **Singkirkan kunci penyetel atau kunci pas sebelum menghidupkan perkakas listrik.** Perkakas atau kunci pas yang masih menempel pada komponen perkakas listrik yang berputar dapat menyebabkan cedera.
- ▶ **Jangan melampaui batas. Berdirilah secara mantap dan selalu jaga keseimbangan.** Hal ini akan memberikan kontrol yang lebih baik terhadap perkakas listrik pada situasi yang tak terduga.
- ▶ **Kenakan pakaian dengan wajar. Jangan mengenakan perhiasan atau pakaian yang longgar. Jauhkan rambut, pakaian, dan sarung tangan dari bagian-bagian perkakas yang bergerak.** Pakaian yang longgar, rambut panjang atau perhiasan dapat tersangkut dalam bagian perkakas yang bergerak.
- ▶ **Jika disediakan perangkat untuk sambungan pengisapan debu dan alat pengumpulan, pastikan perangkat tersebut terhubung dan digunakan dengan benar.** Penggunaan alat pengumpulan dapat mengurangi bahaya yang disebabkan oleh debu.

Penggunaan dan pemeliharaan perkakas listrik

- ▶ **Jangan memaksakan perkakas listrik. Gunakan perkakas listrik yang sesuai untuk pekerjaan yang dilakukan.** Perkakas listrik yang sesuai akan bekerja dengan lebih baik dan aman sesuai tujuan penggunaan.
- ▶ **Jangan gunakan perkakas listrik dengan switch yang tidak dapat dioperasikan.** Perkakas listrik yang switchnya tidak berfungsi dapat menimbulkan bahaya dan harus diperbaiki.
- ▶ **Tariklah steker dari stopkontak dan/atau keluarkan baterai sebelum melakukan penyetelan pada perkakas listrik, penggantian aksesori atau sebelum menyimpan perkakas listrik.** Tindakan keselamatan kerja ini mengurangi risiko perkakas listrik beroperasi secara tiba-tiba.
- ▶ **Jauhkan dan simpan perkakas listrik dari jangkauan anak-anak dan jangan biarkan orang-orang yang tidak mengetahui cara menggunakan perkakas listrik, mengoperasikan perkakas listrik.** Perkakas listrik dapat membahayakan jika digunakan oleh orang-orang yang tidak terlatih.
- ▶ **Rawatlah perkakas listrik. Periksa komponen yang bergerak apabila tidak lurus atau terikat, kerusakan**

komponen, dan kondisi lain yang dapat mengganggu pengoperasian perkakas listrik. Apabila rusak, perbaiki perkakas listrik sebelum digunakan. Banyak kecelakaan terjadi karena perkakas listrik tidak dirawat dengan seksama.

- ▶ **Jaga ketajaman dan kebersihan alat.** Alat pemotong dengan pisau pemotong yang tajam dan dirawat dengan baik tidak akan mudah tersangkut dan lebih mudah dikendalikan.
- ▶ **Gunakan perkakas listrik, aksesori, dan komponen perkakas dll sesuai dengan petunjuk ini, dengan mempertimbangkan kondisi kerja dan pekerjaan yang akan dilakukan.** Penggunaan perkakas listrik untuk tujuan berbeda dari fungsinya dapat menyebabkan situasi yang berbahaya.

Penggunaan dan pemeliharaan perkakas baterai

- ▶ **Isi ulang daya hanya dengan pengisi daya yang ditentukan oleh produsen.** Pengisi daya yang sesuai untuk satu jenis set baterai dapat menyebabkan risiko kebakaran apabila digunakan dengan set baterai lain.
- ▶ **Hanya gunakan perkakas listrik dengan set baterai yang dirancang khusus.** Penggunaan set baterai lain dapat menyebabkan risiko cedera dan kebakaran.
- ▶ **Apabila set baterai tidak digunakan, jauhkan dari benda logam lainnya, seperti klip kertas, koin, kunci, paku, sekrup, atau benda logam kecil lainnya yang dapat membuat sambungan dari satu terminal ke terminal lainnya.** Memendekkan terminal baterai dapat menyebabkan kebakaran atau api.
- ▶ **Cairan dapat keluar dari baterai jika baterai tidak digunakan dengan benar; hindari kontak. Jika terjadi kontak secara tidak disengaja, bilas dengan air. Jika cairan mengenai mata, segera hubungi bantuan medis.** Cairan yang keluar dari baterai dapat menyebabkan iritasi atau luka bakar.

Servis

- ▶ **Minta teknisi berkualifikasi untuk menyervis perkakas listrik dengan hanya menggunakan suku cadang yang identik.** Dengan demikian, hal ini akan memastikan keamanan perkakas listrik.

Petunjuk Keselamatan untuk Mesin Bor dan Obeng

- ▶ **Kenakan pemalut telinga ketika bekerja.** Suara bising alat dapat menyebabkan berkurangnya pendengaran.
- ▶ **Gunakan handle lainnya, jika tersedia.** Kehilangan kendali dapat menyebabkan cedera.
- ▶ **Gunakanlah alat detektor logam yang cocok untuk mencari kabel dan pipa yang tidak terlihat atau hubungi perusahaan pengadaan setempat.** Sentuhan dengan kabel-kabel listrik dapat mengakibatkan api dan kontak listrik. Pipa gas yang dirusak dapat mengakibatkan ledakan. Pipa air yang dirusak mengakibatkan barang-barang menjadi rusak.

- ▶ **Pegang perkakas listrik pada permukaan gagang isolator saat pengoperasian yang memungkinkan aksesoris pemotong atau alat pengencang bersentuhan dengan kabel yang tidak terlihat.** Aksesoris pemotong dan alat pengencang yang bersentuhan dengan kabel yang dialiri listrik dapat menyebabkan terbukanya bagian logam dari alat yang dialiri listrik sehingga berisiko mengakibatkan sengatan listrik pada operator.
- ▶ **Pegang perkakas listrik dengan kencang.** Saat mengencangkan dan mengendurkan obeng dapat terjadi reaksi torsi yang tinggi sesaat.
- ▶ **Gunakan alat kerja dengan aman.** Benda yang ditahan dalam alat pemegang atau basis lebih aman daripada benda yang dipegang dengan tangan.
- ▶ **Sebelum meletakkan perkakas listrik, tunggulah hingga perkakas berhenti berputar.** Alat kerja dapat tersangkut dan menyebabkan perkakas listrik tidak dapat dikendalikan.
- ▶ **Asap dapat keluar apabila terjadi kerusakan atau penggunaan yang tidak tepat pada baterai.** Biarkan udara segar mengalir masuk dan jika Anda merasa tidak enak badan, pergilah ke dokter. Uap tersebut bisa mengganggu saluran pernafasan.
- ▶ **Jangan membuka baterai.** Ada bahaya terjadinya korsleting.
- ▶ **Baterai dapat rusak akibat benda-benda lancip, seperti jarum, obeng, atau tekanan keras dari luar.** Hal ini dapat menyebabkan terjading hubungan singkat internal dan baterai dapat terbakar, berasap, meledak, atau mengalami panas berlebih.
- ▶ **Hanya gunakan baterai pada produk yang dibuat oleh produsen.** Hanya dengan cara ini, baterai dapat terlindung dari kelebihan muatan.



Lindungi baterai dari panas, misalnya terpapar sinar matahari dalam waktu yang lama, api, air, dan kelembapan. Terdapat bahaya ledakan.



Spesifikasi produk dan performa



Bacalah semua petunjuk keselamatan dan petunjuk penggunaan. Kesalahan dalam menjalankan petunjuk keselamatan dan petunjuk penggunaan dapat mengakibatkan kontak listrik, kebakaran, dan/atau luka-luka

yang berat.

Perhatikan ilustrasi yang terdapat pada sisi sampul panduan pengoperasian.

Tujuan penggunaan

Perkakas listrik ini digunakan untuk mengencangkan dan melepaskan baut, juga dapat digunakan untuk pengeboran kayu, besi, keramik dan plastik. Selain itu, GSB cocok untuk pengeboran pada batu bata, beton dan batu.

Ilustrasi komponen

Nomor-nomor dari bagian-bagian perkakas pada gambar sesuai dengan gambar perkakas listrik pada halaman bergambar.

- (1) Dudukan alat kerja
- (2) Keyless chuck
- (3) Ring untuk penyetelan awal torsi
- (4) Switch pemilih mode pengoperasian (GSB 120-LI)
- (5) Selektor pemilih tingkat putaran
- (6) Switch arah putaran
- (7) Tombol pembuka kunci baterai ^{A)}
- (8) Baterai ^{A)}
- (9) Gagang (genggaman isolator)
- (10) Tombol on/off
- (11) Lampu "PowerLight"
- (12) Mata obeng ^{A)}
- (13) Dudukan bit universal ^{A)}

A) **Aksesoris yang ada pada gambar atau yang dijelaskan tidak termasuk dalam lingkup pengiriman standar. Semua aksesoris yang ada dapat Anda lihat dalam program aksesoris kami.**

Data teknis

Obeng listrik berdaya baterai		GSR 120-LI	GSB 120-LI
Nomor seri		3 601 JG8 0..	3 601 JG8 1..
Tegangan nominal	V=	12	12
Kecepatan idle			
– Tingkat putaran 1	min ⁻¹	0 - 400	0 - 400
– Tingkat putaran 2	min ⁻¹	0 - 1500	0 - 1500
Berat sesuai dengan EPTA-Procedure 01:2014	kg	0,97	1,1
Suhu sekitar yang diizinkan			
– saat melakukan pengisian daya	°C	0... +45	0... +45
– saat pengoperasian ^{A)} dan saat disimpan	°C	-20... +50	-20... +50
Baterai yang disarankan		GBA 12V..	GBA 12V..

Obeng listrik berdaya baterai	GSR 120-LI	GSB 120-LI
Pengisi daya baterai yang direkomendasikan	GAL 12..CV	GAL 12..CV
	GAL 12V..	GAL 12V..

A) daya terbatas pada suhu <0 °C

Cara memasang

► **Sebelum melakukan semua pekerjaan pada perkakas listrik (misalnya merawat, mengganti alat kerja, dsb.) serta selama transpor dan penyimpanan, keluarkanlah baterai dari perkakas listrik.** Terdapat risiko cedera apabila tombol untuk menghidupkan dan mematikan dioperasikan tanpa sengaja.

Melepas baterai (lihat gambar A)

► **Hanya gunakan pengisi daya yang tercantum pada halaman aksesoris.** Hanya pengisi daya ini yang sesuai dengan baterai li-ion yang digunakan pada perkakas listrik Anda.

Catatan: Baterai dikirim dalam keadaan terisi sebagian. Untuk memastikan kinerja penuh baterai, isi penuh daya baterai ke pengisi daya sebelum menggunakannya untuk pertama kali.

Daya baterai li-ion dapat diisi setiap saat tanpa mengurangi masa pakainya. Penghentian proses pengisian daya tidak merusak baterai.

Baterai li-ion terlindung dari pengosongan daya total dengan "Electronic Cell Protection (ECP)". Jika daya baterai habis, alat pengisap berdaya baterai akan dimatikan oleh sirkuit pelindung.

► **Jangan menekan kembali tombol on/off jika perkakas listrik mati secara otomatis.** Baterai dapat rusak.

Untuk melepas baterai (8), tekan tombol pembuka kunci baterai (7) dan tarik baterai ke bawah dari perkakas listrik.

Jangan melepas baterai dengan paksa.

Perhatikan petunjuk untuk membuang.

Mengganti alat kerja (lihat gambar B)

Spindel bor akan terkunci saat switch on/off (10) tidak ditekan. Hal ini memungkinkan penggantian alat-alat kerja di cekaman mata bor secara cepat, nyaman dan mudah.

Buka keyless chuck (2) dengan diputar sesuai arah panah ① hingga alat sisipan dapat dipasang. Pasang alat.

Putar selongsong keyless chuck (2) dengan kuat menggunakan tangan sesuai arah panah ② untuk menutup hingga terdengar bunyi klik. Kepala bor terkunci secara otomatis.

Penguncian terbuka lagi jika selongsong diputar ke arah berlawanan untuk melepas alat.

Ekstraksi debu/serbuk

Debu dari bahan-bahan seperti cat yang mengandung timbel (timah hitam), beberapa jenis kayu, bahan mineral dan logam dapat berbahaya bagi kesehatan. Menyentuh atau menghirup debu-debu ini dapat mengakibatkan reaksi alergi

dan/atau penyakit saluran pernapasan pada pengguna atau orang yang berada di dekatnya.

Beberapa debu tertentu seperti debu kayu pohon quercus atau pohon fagus silvatica dianggap dapat mengakibatkan penyakit kanker, terutama dalam campuran dengan bahan-bahan tambahan untuk pengolahan kayu (kromat, obat pengawet kayu). Bahan-bahan yang mengandung asbestos hanya boleh dikerjakan oleh orang-orang yang ahli.

– Perhatikanlah supaya ada pertukaran udara yang baik di tempat kerja.

– Kami anjurkan Anda memakai masker anti debu dengan filter kelas P2.

Taatilah peraturan-peraturan untuk bahan-bahan yang dikerjakan yang berlaku di negara Anda.

► **Hindari debu yang banyak terkumpul di tempat kerja.**

Debu dapat tersulut dengan mudah.

Penggunaan

Cara penggunaan

Memasang baterai

Catatan: Menggunakan baterai yang tidak sesuai untuk perkakas listrik dapat menyebabkan kegagalan fungsi atau kerusakan pada perkakas listrik.

Posisikan switch pengubah arah (6) ke tengah untuk mencegah pengaktifan tiba-tiba. Pasang baterai yang sudah terisi (8) ke dalam gagang perkakas hingga terkunci dan terpasang rata pada gagang.

Mengatur arah putaran (lihat gambar C)

Arah putaran perkakas listrik dapat diubah dengan switch pengubah arah (6). Hal tersebut tidak dapat dilakukan jika tombol on/off (10) ditekan.

Search jarum jam: Untuk mengebor dan menyekrup, tekan switch arah putaran (6) ke kiri hingga maksimal.

Berlawanan arah jarum jam: Untuk mengendurkan atau melepas sekrup dan mur, tekan switch pengubah arah (6) ke kanan hingga maksimal.

Menyetel mode pengoperasian



Mengebor

GSR 120-LI:

Atur ring untuk penyetelan awal torsi (3) pada simbol "Bor".

GSB 120-LI:

Atur switch pemilih mode pengoperasian (4) pada simbol "Bor".



Menyekrup

GSR 120-LI:

Setel ring untuk penyetelan awal torsi (3) ke torsi yang diinginkan.

GSB 120-LI:

Setel switch pemilih mode pengoperasian (4) pada simbol "Sekrup".

Setel ring untuk penyetelan awal torsi (3) ke torsi yang diinginkan.




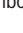
Impact drilling

GSR 120-LI:

Setel switch pemilih mode pengoperasian (4) pada simbol "Impact drilling".

Penyetelan awal torsi

Dengan menggunakan ring untuk penyetelan awal torsi (3), torsi yang diperlukan dapat dipilih terlebih dahulu dalam 20 level. Jika torsi diatur dengan benar, alat sisipan akan berhenti berputar begitu sekrup terpasang rata pada material atau torsi yang disetel tercapai. Pada posisi , kopling pengaman dinonaktifkan misalnya untuk melakukan pengeboran.

Pilih pengaturan yang lebih tinggi dan atur pada simbol  saat melepas sekrup.

Memilih tingkat putaran secara mekanis

► **Tekan switch pemilih tingkat putaran (5) hanya saat perkakas listrik sedang tidak beroperasi.**

Dengan switch pemilih tingkat putaran (5) dapat dipilih 2 rentang kecepatan putaran.

Tingkat putaran I:

Rentang kecepatan putaran rendah; untuk menyekrup atau untuk pekerjaan dengan diameter mata bor yang besar.

Tingkat putaran II:

Rentang kecepatan putaran tinggi; untuk pengerjaan dengan diameter mata bor yang kecil.

Jika selektor pemilih tingkat putaran (5) tidak digeser hingga maksimal, putar sedikit kedudukan alat (1) dengan alat sisipan.

Mengaktifkan/menonaktifkan perkakas listrik

Untuk **menggunakan pertama kali** perkakas listrik, tekan dan tahan tombol on/off (10).

Lampu (11) akan menyala saat tombol on/off (10) ditekan singkat atau ditekan kuat dan dapat membantu menerangi area kerja saat kondisi cahaya minim.

Untuk **menonaktifkan** perkakas listrik, lepaskan tombol on/off (10).

Menyetel kecepatan

Kecepatan perkakas listrik yang diaktifkan dapat disetel terus-menerus tergantung seberapa kuat tombol on/off (10) ditekan.

Jika tombol on/off (10) ditekan singkat dan tidak terlalu kuat, kecepatan putaran akan menjadi rendah. Tekanan yang

lebih besar mengakibatkan kecepatan putaran yang lebih tinggi.

Menyetel kecepatan putaran/nominal getaran (GSB 120-LI)

Kecepatan putaran/nominal getaran pada perkakas listrik yang dihidupkan dapat disetel terus-menerus tergantung seberapa lama tombol on/off (10) ditekan.

Jika tombol on/off (10) ditekan singkat, kecepatan putaran/nominal getaran akan menjadi rendah. Jika tombol ditekan lama, kecepatan putaran/nominal getaran bertambah pula.

Penguncian spindel otomatis (Auto-Lock)

Spindel bor dan kedudukan alat sisipan akan terkunci apabila switch on/off (10) tidak ditekan.

Hal ini memungkinkan alat dapat digunakan untuk menyekrup saat baterai kosong atau perkakas listrik digunakan sebagai obeng.

Rem otomatis setelah dipadamkan

Chuck bor dapat diperlambat saat switch on/off (10) dilepaskan, dengan demikian alat sisipan dapat dicegah untuk beroperasi kembali.

Lepaskan switch on/off (10) saat penyekrupan begitu sekrup telah terpasang rata pada benda kerja. Dengan demikian kepala sekrup tidak masuk ke dalam benda kerja.

Perlindungan kelebihan beban yang tergantung suhu

Pada penggunaan yang normal, perkakas listrik tidak akan mengalami kelebihan beban. Pada saat mengalami beban berlebih atau suhu baterai melebihi batas yang diizinkan, kecepatan putaran akan kurangi. Perkakas listrik tidak akan berjalan hingga kembali mencapai suhu baterai yang diizinkan dengan kecepatan putaran penuh.

Petunjuk pengoperasian

► **Pasang perkakas listrik pada mur/sekrup hanya saat dalam keadaan mati.** Alat sisipan yang berputar dapat tergelincir.

Setelah digunakan dalam waktu yang lama dengan kecepatan rendah, biarkan perkakas listrik beroperasi dengan putaran maksimal pada kecepatan idle sekitar 3 menit agar menjadi dingin..

Hanya gunakan mata bor HSS yang diasah (HSS=high performance superspeed steel) untuk pengeboran logam. Kualitas terkait dijamin oleh program aksesoris Bosch.

Sebelum memutar masuk sekrup yang besar dan panjang ke dalam bahan yang keras, buat lubang bor terlebih dulu dengan diameter inti ulir sekitar 2/3 dari panjang sekrup.

Perawatan dan servis

Perawatan dan pembersihan

► **Sebelum melakukan semua pekerjaan pada perkakas listrik (misalnya merawat, mengganti alat kerja, dsb.) serta selama transpor dan penyimpanan, keluarkanlah baterai dari perkakas listrik.** Terdapat risiko cedera

apabila tombol untuk menghidupkan dan mematikan dioperasikan tanpa sengaja.

- ▶ **Perkakas listrik dan lubang ventilasi harus selalu dibersihkan agar perkakas dapat digunakan dengan baik dan aman.**

Layanan pelanggan dan konsultasi penggunaan

Layanan pelanggan Bosch menjawab semua pertanyaan Anda tentang reparasi dan perawatan serta tentang suku cadang produk ini. Gambaran teknis (exploded view) dan informasi mengenai suku cadang dapat ditemukan di:

www.bosch-pt.com

Tim konsultasi penggunaan Bosch akan membantu Anda menjawab pertanyaan seputar produk kami beserta aksesorinya.

Jika Anda hendak menanyakan sesuatu atau memesan suku cadang, sebutkan selalu nomor model yang terdiri atas 10 angka dan tercantum pada label tipe produk.

Indonesia

PT Robert Bosch

Palma Tower 10th Floor

Jalan RA Kartini II-S Kaveling 6

Pondok Pinang, Kebayoran Lama

Jakarta Selatan 12310

Tel.: (021) 3005 5800

Fax: (021) 3005 5801

E-Mail: boschpowertools@id.bosch.com

www.bosch-pt.co.id

Transpor

Pada baterai-baterai li-ion yang digunakan diterapkan persyaratan terkait peraturan-peraturan tentang bahan-bahan yang berbahaya. Baterai-baterai dapat diangkat oleh penguasanya tanpa pembatasan lebih lanjut di jalan.

Pada pengiriman oleh pihak ketiga (misalnya transportasi udara atau perusahaan ekspedisi) harus ditaati syarat-syarat terkait kemasan dan pemberian tanda. Dalam hal ini, diperlukan konsultasi dengan ahli bahan-bahan berbahaya saat mengatur barang pengiriman.

Kirimkan baterai hanya jika housing-nya tidak rusak. Tutup bagian-bagian yang terbuka dan kemas baterai agar tidak bergerak-gerak di dalam kemasan. Taatilah peraturan-peraturan nasional lainnya yang mungkin lebih rinci yang berlaku di negara Anda.

Cara membuang



Perkakas listrik, baterai, aksesoris dan kemasan harus didaur ulang dengan cara yang ramah lingkungan.



Jangan membuang perkakas listrik, aki/baterai ke dalam sampah rumah tangga!

Hanya untuk negara Uni Eropa:

Berdasarkan pedoman Eropa Directive 2012/19/EU, alat listrik yang tidak lagi dapat digunakan dan berdasarkan pedoman Eropa Directive 2006/66/EC, baterai yang rusak

atau yang telah dipakai harus dikumpulkan secara terpisah dan didaur ulang dengan cara yang ramah lingkungan.

Baterai:

Li-ion:

Perhatikanlah petunjuk-petunjuk dalam bab Transpor (lihat „Transpor“, Halaman 41).

Tiếng Việt

Hướng dẫn an toàn

Cảnh báo Tổng quát Cách sử dụng An toàn Dụng cụ điện Cầm tay

⚠ CẢNH BÁO Đọc kỹ mọi cảnh báo an toàn và hướng dẫn. Không tuân

thủ mọi cảnh báo và hướng dẫn được liệt kê dưới đây có thể bị điện giật, gây cháy và / hay bị thương tật nghiêm trọng.

Hãy giữ tất cả tài liệu về cảnh báo và hướng dẫn để tham khảo về sau.

Thuật ngữ "dụng cụ điện cầm tay" trong phần cảnh báo là đề cập đến sự sử dụng dụng cụ điện cầm tay của bạn, loại sử dụng điện nguồn (có dây cắm điện) hay vận hành bằng pin (không dây cắm điện).

Khu vực làm việc an toàn

- ▶ **Giữ nơi làm việc sạch và đủ ánh sáng.** Nơi làm việc bừa bộn và tối tăm dễ gây ra tai nạn.
- ▶ **Không vận hành dụng cụ điện cầm tay trong môi trường dễ gây nổ, chẳng hạn như nơi có chất lỏng dễ cháy, khí đốt hay rác.** Dụng cụ điện cầm tay tạo ra các tia lửa nên có thể làm rác bén cháy hay bốc khói.
- ▶ **Không để trẻ em hay người đến xem đứng gần khi vận hành dụng cụ điện cầm tay.** Sự phân tâm có thể gây ra sự mất điều khiển.

An toàn về điện

- ▶ **Phích cắm của dụng cụ điện cầm tay phải thích hợp với ổ cắm. Không bao giờ được cải biến lại phích cắm dưới mọi hình thức. Không được sử dụng phích tiếp hợp nối tiếp đất (dây mát).** Phích cắm nguyên bản và ổ cắm đúng loại sẽ làm giảm nguy cơ bị điện giật.
- ▶ **Tránh không để thân thể tiếp xúc với đất hay các vật có bề mặt tiếp đất như đường ống, lò sưởi, hàng rào và tủ lạnh.** Có nhiều nguy cơ bị điện giật hơn nếu cơ thể bạn bị tiếp hay nối đất.
- ▶ **Không được để dụng cụ điện cầm tay ngoài mưa hay ở tình trạng ẩm ướt.** Nước vào máy sẽ làm tăng nguy cơ bị điện giật.
- ▶ **Không được lạm dụng dây dẫn điện. Không bao giờ được nắm dây dẫn để xách, kéo hay rút phích cắm dụng cụ điện cầm tay. Không**

để dây gần nơi có nhiệt độ cao, dầu nhớt, vật nhọn bén và bộ phận chuyển động. Làm hỏng hay cuộn rối dây dẫn làm tăng nguy cơ bị điện giật.

- ▶ **Khi sử dụng dụng cụ điện cầm tay ngoài trời, dùng dây nối thích hợp cho việc sử dụng ngoài trời.** Sử dụng dây nối thích hợp cho việc sử dụng ngoài trời làm giảm nguy cơ bị điện giật.
- ▶ **Nếu việc sử dụng dụng cụ điện cầm tay ở nơi ẩm ướt là không thể tránh được, dùng thiết bị ngắt mạch tự động (RCD) bảo vệ nguồn.** Sử dụng thiết bị ngắt mạch tự động RCD làm giảm nguy cơ bị điện giật.

An toàn cá nhân

- ▶ **Hãy tỉnh táo, biết rõ mình đang làm gì và hãy sử dụng ý thức khi vận hành dụng cụ điện cầm tay.** Không sử dụng dụng cụ điện cầm tay khi đang mệt mỏi hay đang bị tác động do chất gây nghiện, rượu hay dược phẩm gây ra. Một thoáng mất tập trung khi đang vận hành dụng cụ điện cầm tay có thể gây thương tích nghiêm trọng cho bản thân.
- ▶ **Sử dụng trang bị bảo hộ cá nhân. Luôn luôn đeo kính bảo vệ mắt.** Trang bị bảo hộ như khẩu trang, giày chống trượt, nón bảo hộ, hay dụng cụ bảo vệ tai khi được sử dụng đúng nơi đúng chỗ sẽ làm giảm nguy cơ thương tật cho bản thân.
- ▶ **Phòng tránh máy khởi động bất ngờ. Bảo đảm công tắc máy ở vị trí tắt trước khi cắm vào nguồn điện và/hay lắp pin vào, khi nhắc máy lên hay khi mang xách máy.** Ngáng ngón tay vào công tắc máy để xách hay kích hoạt dụng cụ điện cầm tay khi công tắc ở vị trí mở dễ dẫn đến tai nạn.
- ▶ **Lấy mọi chìa hay khóa điều chỉnh ra trước khi mở điện dụng cụ điện cầm tay.** Khóa hay chìa còn gắn dính vào bộ phận quay của dụng cụ điện cầm tay có thể gây thương tích cho bản thân.
- ▶ **Không rướn người. Luôn luôn giữ tư thế đứng thích hợp và thăng bằng.** Điều này tạo cho việc điều khiển dụng cụ điện cầm tay tốt hơn trong mọi tình huống bất ngờ.
- ▶ **Trang phục thích hợp. Không mặc quần áo rộng lủng thụng hay mang trang sức. Giữ tóc, quần áo và găng tay xa khỏi các bộ phận chuyển động.** Quần áo rộng lủng thụng, đồ trang sức hay tóc dài có thể bị cuốn vào các bộ phận chuyển động.
- ▶ **Nếu có các thiết bị đi kèm để nối máy hút bụi và các phụ kiện khác, bảo đảm các thiết bị này được nối và sử dụng tốt.** Việc sử dụng các thiết bị gom hút bụi có thể làm giảm các độc hại liên quan đến bụi gây ra.

Sử dụng và bảo dưỡng dụng cụ điện cầm tay

- ▶ **Không được ép máy. Sử dụng dụng cụ điện cầm tay đúng loại theo đúng ứng dụng của bạn.** Dụng cụ điện cầm tay đúng chức năng sẽ làm việc tốt và an toàn hơn theo đúng tiến độ mà máy được thiết kế.
- ▶ **Không sử dụng dụng cụ điện cầm tay nếu như công tắc không tắt và mở được.** Bất kỳ dụng cụ điện cầm tay nào mà không thể điều khiển được bằng công tắc là nguy hiểm và phải được sửa chữa.
- ▶ **Rút phích cắm ra khỏi nguồn điện và/hay pin ra khỏi dụng cụ điện cầm tay trước khi tiến hành bất kỳ điều chỉnh nào, thay phụ kiện, hay cắt dụng cụ điện cầm tay.** Các biện pháp ngăn ngừa như vậy làm giảm nguy cơ dụng cụ điện cầm tay khởi động bất ngờ.
- ▶ **Cất giữ dụng cụ điện cầm tay không dùng tới nơi trẻ em không lấy được và không cho người chưa từng biết dụng cụ điện cầm tay hay các hướng dẫn này sử dụng dụng cụ điện cầm tay.** Dụng cụ điện cầm tay nguy hiểm khi ở trong tay người chưa được chỉ cách sử dụng.
- ▶ **Bảo quản dụng cụ điện cầm tay. Kiểm tra xem các bộ phận chuyển động có bị sai lệch hay kẹt, các bộ phận bị rạn nứt và các tình trạng khác có thể ảnh hưởng đến sự vận hành của máy. Nếu bị hư hỏng, phải sửa chữa máy trước khi sử dụng.** Nhiều tai nạn xảy ra do bảo quản dụng cụ điện cầm tay tồi.
- ▶ **Giữ các dụng cụ cất bện và sạch.** Bảo quản đúng cách các dụng cụ cất có cạnh cất bện làm giảm khả năng bị kẹt và dễ điều khiển hơn.
- ▶ **Sử dụng dụng cụ điện cầm tay, phụ kiện, đầu cài v. v., đúng theo các chỉ dẫn này, hãy lưu ý đến điều kiện làm việc và công việc phải thực hiện.** Sự sử dụng dụng cụ điện cầm tay khác với mục đích thiết kế có thể tạo nên tình huống nguy hiểm.

Sử dụng và bảo quản dụng cụ dùng pin

- ▶ **Chỉ được sạc pin lại với bộ nạp điện do nhà sản xuất chỉ định.** Bộ nạp điện thích hợp cho một loại pin có thể gây nguy cơ cháy khi sử dụng cho một loại pin khác.
- ▶ **Chỉ sử dụng dụng cụ điện cầm tay với loại pin được thiết kế đặc biệt dành riêng cho máy.** Sử dụng bất cứ loại pin khác có thể dẫn đến thương tật hay cháy.
- ▶ **Khi không sử dụng pin, để cách xa các vật bằng kim loại như kẹp giấy, tiền xu, chìa khóa, đinh, ốc vít hay các đồ vật kim loại nhỏ khác, thứ có thể tạo sự nối tiếp từ một đầu cực với một đầu cực khác.** Sự chập mạch của các đầu cực với nhau có thể gây bỏng hay cháy.
- ▶ **Bảo quản ở tình trạng tối, dung dịch từ pin có thể tứa ra; tránh tiếp xúc. Nếu vô tình chạm**

phải, hãy xối nước để rửa. Nếu dung dịch vào mắt, cần thêm sự hỗ trợ của y tế. Dung dịch tiết ra từ pin có thể gây ngứa hay bỏng.

Bảo dưỡng

- ▶ **Đưa dụng cụ điện cầm tay của bạn đến thợ chuyên môn để bảo dưỡng, chỉ sử dụng phụ tùng đúng chủng loại để thay.** Điều này sẽ đảm bảo sự an toàn của máy được giữ nguyên.

Các hướng dẫn an toàn cho máy khoan và bắt vít

- ▶ **Đeo bảo vệ tai khi khoan động lực.** Tiếp xúc với tiếng ồn có thể làm mất khả năng nghe.
- ▶ **Sử dụng (các) tay cầm phụ, nếu được cung cấp kèm theo dụng cụ.** Mất điều khiển có thể gây ra thương tích cho người.
- ▶ **Dùng thiết bị dò tìm thích hợp để xác định nếu có các công trình công cộng lắp đặt ngầm trong khu vực làm việc hay liên hệ với Cty công trình công cộng địa phương để nhờ hỗ trợ.** Đụng chạm đường dẫn điện có thể gây ra hỏa hoạn và điện giật. Làm hư hại đường dẫn khí ga có thể gây nổ. Làm thủng ống dẫn nước có thể làm hư hại tài sản hay có thể gây ra điện giật.
- ▶ **Chỉ cầm dụng cụ điện tại các bề mặt cầm nắm có cách điện, khi thực hiện một thao tác tại vị trí mà phụ kiện cắt hoặc dụng cụ kẹp có thể tiếp xúc với dây điện ngầm.** Phụ kiện cắt hoặc dụng cụ kẹp tiếp xúc với dây có điện có thể làm cho các phần kim loại hở của dụng cụ điện cầm tay có điện và có thể gây ra điện giật cho người vận hành.
- ▶ **Giữ chặt dụng cụ điện.** Khi siết chặt và nới lỏng các vít, những mô-men phản ứng cao có thể xuất hiện trong thời gian ngắn.
- ▶ **Kẹp chặt vật gia công.** Vật gia công được kẹp bằng một thiết bị kẹp hay bằng ê-tô thì vững chắc hơn giữ bằng tay.
- ▶ **Luôn luôn đợi cho máy hoàn toàn ngừng hẳn trước khi đặt xuống.** Dụng cụ lắp vào máy có thể bị kẹp chặt dẫn đến việc dụng cụ điện cầm tay bị mất điều khiển.
- ▶ **Trong trường hợp pin bị hỏng hay sử dụng sai cách, hơi nước có thể bốc ra.** Hãy làm cho thông thoáng khí và trong trường hợp bị đau phải nhờ y tế chữa trị. Hơi nước có thể gây ngứa hệ hô hấp.
- ▶ **Không được tháo pin ra.** Nguy cơ bị chập mạch.
- ▶ **Pin có thể bị hư hại bởi các vật dụng nhọn như đinh hay tước-nơ-vít hoặc bởi các tác**

động lực từ bên ngoài. Nó có thể dẫn tới đoản mạch nội bộ và làm pin bị cháy, bốc khói, phát nổ hoặc quá nóng.

- ▶ **Chỉ sử dụng pin trong các sản phẩm của nhà sản xuất.** Chỉ bằng cách này, pin sẽ được bảo vệ tránh nguy cơ quá tải.



Bảo vệ pin không để bị làm nóng, ví dụ, chống để lâu dài dưới ánh nắng gay gắt, lửa, nước, và sự ẩm ướt. Sự nguy hiểm của nổ.

Mô Tả Sản Phẩm và Đặc Tính Kỹ Thuật



Đọc kỹ mọi cảnh báo an toàn và mọi hướng dẫn. Không tuân thủ mọi cảnh báo và hướng dẫn được liệt kê dưới đây có thể bị điện giật, gây cháy và / hay bị thương tật nghiêm trọng.

Xin lưu ý các hình minh họa trong phần trước của hướng dẫn vận hành.

Sử dụng đúng cách

Máy được cung cấp dành cho mục đích cố định và tháo các vít và đế khoan trên các chất liệu gỗ, kim loại, gốm và nhựa. Ngoài ra, GSB còn phù hợp với khoan xung động ngoài, bê tông và đá.

Các bộ phận được minh họa

Sự đánh số các biểu trưng của sản phẩm là để tham khảo hình minh họa của máy trên trang hình ảnh.

- (1) Phần lắp dụng cụ
- (2) Mâm Cặp Không Dùng Khóa
- (3) Vòng xoay chọn trước lực xoắn
- (4) Công tắc chọn chế độ hoạt động (GSB 120-LI)
- (5) Bộ phận chọn vòng truyền động
- (6) Gạc vận chuyển đổi chiều quay
- (7) Nút tháo pin ^{A)}
- (8) Pin ^{A)}
- (9) Tay nắm (bề mặt nắm cách điện)
- (10) Công tắc Tắt/Mở
- (11) Đèn "PowerLight"
- (12) Chia vận vít ^{A)}
- (13) Ống cặp mũi khoan vạn năng ^{A)}

A) Phụ tùng được trình bày hay mô tả không phải là một phần của tiêu chuẩn hàng hóa được giao kèm theo sản phẩm. Bạn có thể tham khảo tổng thể các loại phụ tùng, phụ kiện trong chương trình phụ tùng của chúng tôi.

Thông số kỹ thuật

Máy Vặn Vít Pin		GSR 120-LI	GSB 120-LI
Mã số máy		3 601 JG8 0..	3 601 JG8 1..
Điện thế danh định	V=	12	12
Tốc độ không tải			
– 1. Vòng truyền lực	min ⁻¹	0 - 400	0 - 400
– 2. Vòng truyền lực	min ⁻¹	0 - 1500	0 - 1500
Trọng lượng theo Quy trình EPTA-Procedure 01:2014	kg	0,97	1,1
hiệt độ môi trường cho phép			
– trong quá trình sạc điện	°C	0... +45	0... +45
– khi vận hành ^{A)} và khi bảo quản	°C	-20... +50	-20... +50
pin được khuyến dùng		GBA 12V..	GBA 12V..
thiết bị nạp được giới thiệu		GAL 12..CV GAL 12V..	GAL 12..CV GAL 12V..

A) hiệu suất giới hạn ở nhiệt độ <0 °C

Sự lắp vào

- ▶ **Trước khi tiến hành bất cứ công việc gì với máy (ví dụ bảo dưỡng, thay dụng cụ v.v..) cũng như khi vận chuyển hay lưu kho, tháo pin ra khỏi dụng cụ điện.** Có nguy cơ gây thương tích khi vô tình làm kích hoạt công tắc Tắt/Mở.

Tháo pin (xem hình A)

- ▶ **Chỉ sử dụng các bộ sạc được liệt kê trên trang phụ kiện.** Chỉ những bộ sạc này phù hợp cho dụng cụ điện cầm tay của bạn có sử dụng pin Li-Ion.

Hướng dẫn: Pin đã được sạc một phần. Để bảo đảm đầy đủ điện dung, nạp điện hoàn toàn lại cho pin trong bộ nạp điện pin trước khi sử dụng cho lần đầu tiên.

Pin Li-Ion hợp khối có thể nạp điện bất cứ lúc nào mà không làm giảm tuổi thọ của pin. Sự gián đoạn trong quá trình nạp điện không làm hư hại pin hợp khối.

Pin Li-Ion được bảo vệ ngăn sự phóng điện quá lớn nhờ vào "Electronic Cell Protection (ECP)". Khi hết pin, máy hút bụi chạy pin sẽ tắt nhờ cơ chế bảo vệ.

- ▶ **Có nguy cơ gây thương tích khi vô tình làm kích hoạt công tắc Tắt/Mở.** Pin có thể bị hỏng.

Để tháo pin (8) bạn hãy ấn nút mở (7) và đẩy pin xuống dưới ra khỏi dụng cụ điện cầm tay. **Không dùng sức.**

Quy trình hoạt động được chia ra làm hai giai đoạn.

Thay dụng cụ (xem hình B)

Khi công tắc Tắt/Mở không được nhấn (10) trục máy khoan sẽ bị khóa. Điều này làm cho việc thay

dụng cụ ở mâm cặp được nhanh, tiện lợi và dễ dàng có thể thực hiện được.

Hãy mở mâm cặp mũi khoan tự động (2) bằng cách xoay theo hướng ❶, cho đến khi có thể lắp được dụng cụ. Lắp dụng cụ vào.

Hãy xoay bạc lót của đầu cặp mũi khoan tự động (2) vào theo chiều xoay ❷ của tay thật mạnh, cho tới khi nghe thấy tiếng clic. Bằng cách đó, đầu cặp mũi khoan sẽ tự động được khóa.

Khóa được mở ra lại để lấy dụng cụ ra khi cổ mâm cặp được vận theo chiều ngược lại.

Hút Dăm/Bụi

Mặt bụi từ các vật liệu được sơn phủ ngoài có chứa chì trên một số loại gỗ, khoáng vật và kim loại có thể gây nguy hại đến sức khoẻ con người. Đụng chạm hay hít thở các bụi này có thể làm người sử dụng hay đứng gần bị dị ứng và/hoặc gây nhiễm trùng hệ hô hấp.

Một số mặt bụi cụ thể, ví dụ như bụi gỗ sồi hay đầu, được xem là chất gây ung thư, đặc biệt là có liên quan đến các chất phụ gia dùng xử lý gỗ (chất cromat, chất bảo quản gỗ). Có thể chỉ nên để thợ chuyên môn gia công các loại vật liệu có chứa amiăng.

- Tạo không khí thông thoáng nơi làm việc.
- Khuyến nghị nên mang mặt nạ phòng độc có bộ lọc cấp P2.

Tuân thủ các quy định của quốc gia bạn liên quan đến loại vật liệu gia công.

- ▶ **Tránh không để rác tích tụ tại nơi làm việc.** Rác có thể dễ dàng bắt lửa.

Vận Hành

Bắt Đầu Vận Hành

Tháo Pin

Hướng dẫn: Việc sử dụng pin không phù hợp với dụng cụ điện có thể dẫn đến lỗi chức năng hoặc gây hỏng dụng cụ điện.

Đặt gạc vận chuyển đổi chiều quay (6) vào giữa để tránh vô tình bật. Hãy lắp pin đã sạc (8) vào tay cầm, đến khi nó được gài vào khớp và nằm chính xác trên tay cầm.

Điều chỉnh hướng xoay (xem hình C)

Với gạc vận chuyển đổi chiều quay (6) bạn có thể thay đổi hướng xoay của dụng cụ điện. Tuy nhiên, việc này không thực hiện được khi công tắc Tắt/Mở được nhấn (10).

Quay phải: Để khoan hay bắt vít, đẩy gạc vận chuyển đổi chiều quay (6) sang trái đến cỡ chặn.

Xoay ngược chiều kim đồng hồ: Để nới lỏng hoặc tháo các vít và đai ốc hãy nhấn gạc vận chuyển đổi chiều quay (6) sang bên phải cho tới cỡ chặn.

Chỉnh Đặt Phương Thức Hoạt Động



Khoan thường

GSR 120-LI:

Đặt vòng điều chỉnh chọn trước mô-men xoắn (3) thành biểu tượng "Khoan".

GSB 120-LI:

Đặt công tắc chọn chế độ hoạt động (4) thành biểu tượng "Khoan".



Bắt vít

GSR 120-LI:

Thiết lập vòng điều chỉnh chọn trước mô-men xoắn (3) mức mô-men xoắn mong muốn.

GSB 120-LI:

Đặt công tắc chọn chế độ hoạt động (4) thành biểu tượng "Bắt vít".

Thiết lập vòng điều chỉnh chọn trước mô-men xoắn (3) mức mô-men xoắn mong muốn.




Khoan xung động


GSB 120-LI:

Đặt công tắc chọn chế độ hoạt động (4) thành biểu tượng "Khoan xung động".

Chỉnh đặc lực xoắn

Với vòng điều chỉnh chọn trước mô-men xoắn (3) bạn có thể chọn trước mô-men xoắn cần thiết ở 20 mức. Với việc chỉnh đặt đúng, dụng cụ lắp trong máy ngừng ngay sau khi vít được bắt vào bằng với bề mặt vật liệu hay khi lực vận chính đặt đã đạt

được. Ở vị trí , khớp nối chặn bị vô hiệu, ví dụ để khoan.

Chọn một cài đặt cao hơn khi vận vít ra hoặc vận sang biểu tượng .

Sự chọn lực Truyền động, Cơ học

► Chỉ kích hoạt công tắc chọn vòng truyền động (5) khi dụng cụ điện đã ngừng chạy.

Với công tắc chọn vòng truyền động (5), có thể chọn sẵn 2 tầm tốc độ.

Số I:

Tầm tốc độ thấp; dành để bắt vít hay tháo tác với đường kính khoan lớn.

Số II:

Tầm tốc độ cao hơn; dùng để khoan có đường kính nhỏ.

Nếu công tắc chọn vòng truyền động (5) không đẩy được đến cỡ chặn, hãy xoay nhẹ phần lắp dụng cụ (1) với dụng cụ gài.

Bật Mở và Tắt

Để vận hành thử dụng cụ điện hãy nhấn công tắc Tắt/Mở (10) và nhấn giữ.

Đèn (11) bật sáng khi nhấn nhẹ hoặc nhấn hoàn toàn công tắc Tắt/Mở (10) và cho phép chiếu sáng khu vực làm việc trong các điều kiện ánh sáng không tốt.

Để tắt máy, nhả công tắc Tắt/Mở (10) ra.

Điều chỉnh tốc độ

Bạn có thể điều tiết liên tục số vòng quay của dụng cụ điện đã bật, tùy vào việc bạn nhấn công tắc Tắt/Mở như thế nào (10).

Nhấn nhẹ trên công tắc Tắt/Mở (10) sẽ kích hoạt số vòng quay thấp. Tăng lực nhấn lên công tắc làm tăng tốc độ quay.

Điều chỉnh tốc độ vòng quay/tần suất đập (GSB 120-LI)

Bạn có thể liên tục điều chỉnh tốc độ/tần suất đập của dụng cụ điện đang bật tùy theo mức độ bấm công tắc Tắt/Mở mạnh hay nhẹ (10).

Bấm nhẹ công tắc Tắt/Mở (10) sẽ cho tốc độ/tần suất đập thấp. Lực áp mạnh hơn lên công tắc làm tăng tốc độ và tần suất đập.

Khóa tự động toàn bộ trục (Khóa tự động)

Khi công tắc Tắt/mở không được nhấn (10) trục máy khoan và khe cắm sẽ bị khóa.

Do vậy nên vẫn có thể bắt vít vào, ngay cả khi điện pin đã cạn và cho phép máy được sử dụng như là một tua-vít.

Hãm Trón Quay

Khi nhả công tắc Tắt/Mở, (10) đầu cặp mũi khoan sẽ được hãm lại và nhờ đó dụng cụ gài sẽ không bị chạy theo trón.

Khi vận vít, không được nhả công tắc Tắt/Mở (10) cho đến khi vít được vận vào dụng cụ. Bằng cách thức như thế, đầu vít không ăn thâm vào vật liệu.

Bảo Vệ Chống Quá Tải Dựa Trên Nhiệt Độ

Trong quá trình sử dụng sắp tới, không được để dụng cụ điện bị quá tải. Khi vận hành liên tục hoặc khi không nằm trong khu vực nhiệt độ pin cho phép, tốc độ vòng quay sẽ giảm. Dụng cụ điện chỉ chạy với công suất ra tối đa sau khi đạt nhiệt độ pin cho phép.

Hướng Dẫn Sử Dụng

► Chỉ đặt dụng cụ điện đã tắt lên đai ốc/vít.

Dụng cụ đang quay có thể bị tuột ra.

Sau một thời gian làm việc dài với tốc độ vòng quay thấp, bạn cần cho dụng cụ điện quay không tải với tốc độ tối đa trong khoảng 3 phút để làm mát.

Chỉ sử dụng mũi khoan HSS (HSS=thép gió) sắc và không bị lỗi. Chất lượng đáp ứng chuẩn được đảm bảo trong chương trình phụ kiện của Bosch.

Trước khi bắt một vít lớn, dài hơn bình thường và vào vật liệu cứng, nên khoan trước một lỗ mỗi có cùng đường kính răng vít vào sâu vào khoảng 2/3 của chiều dài vít.

Bảo Dưỡng và Bảo Quản

Bảo Dưỡng Và Làm Sạch

► Trước khi tiến hành bất cứ công việc gì với máy (ví dụ bảo dưỡng, thay dụng cụ v.v..) cũng như khi vận chuyển hay lưu kho, tháo pin ra khỏi dụng cụ điện. Có nguy cơ gây thương tích khi vô tình làm kích hoạt công tắc Tắt/Mở.

► Để được an toàn và máy hoạt động đúng chức năng, luôn luôn giữ máy và các khe thông gió được sạch.

Dịch vụ hỗ trợ khách hàng và tư vấn sử dụng

Bộ phận phục vụ hàng sau khi bán của chúng tôi trả lời các câu hỏi liên quan đến việc bảo dưỡng và sửa chữa các sản phẩm cũng như phụ tùng thay thế của bạn. Sơ đồ mô tả và thông tin về phụ tùng thay thế cũng có thể tra cứu theo dưới đây:

www.bosch-pt.com

Đội ngũ tư vấn sử dụng của Bosch sẽ giúp bạn giải đáp các thắc mắc về sản phẩm và phụ kiện.

Trong tất cả các phản hồi và đơn đặt phụ tùng, xin vui lòng luôn luôn nhập số hàng hóa 10 chữ số theo nhãn của hàng hóa.

Việt Nam

CN CÔNG TY TNHH BOSCH VIỆT NAM TẠI

TP.HCM

Tầng 14, Ngôi Nhà Đức, 33 Lê Duẩn

Phường Bến Nghé, Quận 1, Thành Phố Hồ Chí Minh

Tel.: (028) 6258 3690

Fax: (028) 6258 3692 - 6258 3694

Hotline: (028) 6250 8555

Email: tuvankhachhang-pt@vn.bosch.com

www.bosch-pt.com.vn

www.baohanhbosch-pt.com.vn

Campuchia

Công ty TNHH Robert Bosch (Campuchia)

Đơn nguyên 8BC, GT Tower, Tầng 08,

Đường 169, Tiệp Khắc Blvd, Sangkat Veal Vong, Khan 7 Makara, Phnom Penh

VAT TIN: 100 169 511

Tel.: +855 23 900 685

Tel.: +855 23 900 660

www.bosch.com.kh

Vận chuyển

Pin có chứa Li-Ion là đối tượng phải tuân theo các qui định của Pháp Luật về Hàng Hóa Nguy Hiểm. Người sử dụng có thể vận chuyển pin hợp khối bằng đường bộ mà không cần thêm yêu cầu nào khác.

Khi được vận chuyển thông qua bên thứ ba (vd. vận chuyển bằng đường hàng không hay đại lý giao nhận), phải tuân theo các yêu cầu đặc biệt về đóng gói và dán nhãn. Phải tham vấn chuyên gia về hàng hóa nguy hiểm khi chuẩn bị gói hàng.

Chỉ gửi pin hợp khối khi vỏ ngoài không bị hư hỏng. Dán băng keo hay che kín các điểm tiếp xúc hở và đóng gói pin hợp khối theo cách sao cho pin không thể xô dịch khi nằm trong bao bì. Ngoài ra, xin vui lòng chấp hành các qui định chi tiết có thể được bổ sung thêm của quốc gia.

Sự thải bỏ



Dụng cụ điện, pin, phụ kiện và bao bì cần được tái sử dụng theo quy định về môi trường.



Bạn không được ném dụng cụ điện và pin vào thùng rác gia đình!

Chỉ dành cho các quốc gia thuộc khối Liên minh Châu Âu (EU):

Các dụng cụ điện cầm tay không còn giá trị sử dụng theo chỉ thị châu Âu 2012/19/EU và ắc quy/pin bị hỏng hoặc đã qua sử dụng theo chỉ thị số 2006/66/EG phải được thu gom riêng và có thể tái sử dụng theo luật môi trường.

Pin/ắc quy:

Li-Ion:

Tuân thủ những hướng dẫn trong phần vận chuyển (xem „Vận chuyển“, Trang 46).

عربي

إرشادات الأمان

تحذيرات أمان عامة للعدد الكهربائية

تحذير اقرأ جميع تحذيرات الأمان والتعليمات. عدم مراعاة

تحذيرات الأمان وعدم اتباع التعليمات قد يؤدي إلى الصدمات الكهربائية و/أو نشوب حرائق و/أو الإصابة بجروح خطيرة.

احتفظ بجميع تحذيرات الأمان والتعليمات للرجوع إليها فيما بعد.

يقصد بمصطلح «العدد الكهربائية» المستخدم في تحذيرات الأمان، العدد الكهربائية الموصلة بالشبكة الكهربائية (بواسطة كابل الشبكة الكهربائية) وأيضاً العدد الكهربائية المشغلة بمركم (دون كابل الشبكة الكهربائية).

الأمان بمكان العمل

احرص على أن يكون مكان العمل نظيفاً ومضاءً بشكل جيد. الفوضى في مكان العمل ونطاقات العمل غير المضاءة قد تؤدي إلى وقوع الحوادث.

لا تشغل العدد الكهربائية في أجواء معرضة لخطر الانفجار، مثل الأماكن التي تتوفر فيها السوائل أو الغازات أو الأبخرة القابلة للاشتعال. العدد الكهربائية تولد شرراً قد يتسبب في إشعال الأبخرة والأبخرة.

احرص على بقاء الأطفال وغيرهم من

الأشخاص بعيداً عند تشغيل العدد الكهربائية. تشتيت الانتباه قد يتسبب في فقدان السيطرة على الجهاز.

الأمان الكهربائي

يجب أن تكون قوايس العدد الكهربائية متلائمة مع المقابس. لا يجوز تعديل القابس بأي صورة من الصور. لا تستعمل القوايس المهيأة مع العدد الكهربائية المؤرّضة (ذات طرف أرضي). تقلل القوايس التي لم يتم تعديلها والمقابس المتلائمة من خطر الصدمات الكهربائية.

تجنب ملامسة جسمك للأسطح المؤرّضة كالأنابيب والمبردات والمواقف أو التلجّات. يزداد خطر الصدمات الكهربائية عندما يكون جسمك مؤرّض أو موصل بالأرضي.

أبعد العدد الكهربائية عن الأمطار أو الرطوبة. يزداد خطر الصدمات الكهربائية إن تسرب الماء إلى داخل العدد الكهربائية.

لا تسئ استعمال الكابل. لا تستخدم الكابل في حمل العدد الكهربائية أو سحبها أو سحب القابس من المقبس. احرص على إبعاد الكابل عن الحرارة والزيوت والحواف الحادة أو الأجزاء المتحركة. تزيد الكابلات التالفة أو المتشابكة من خطر الصدمات الكهربائية.

عند استخدام العدد الكهربائية خارج المنزل اقتصر على استخدام كابلات التمديد الصالحة للاستعمال في الأماكن المكشوفة. يقلل

استعمال كابل تمديد مخصص للاستعمال في الأماكن المكشوفة من خطر الصدمات الكهربائية.

إن لم يكن بالإمكان تجنب تشغيل العدد الكهربائية في الأجواء الرطبة، فاستخدم مفتاح للوقاية من التيار المتخلف. إن استخدام مفتاح للوقاية من التيار المتخلف يقلل خطر الصدمات الكهربائية.

أمان الأشخاص

كن يقظاً وانتبه إلى ما تفعله واستخدم العدد الكهربائية بتعقل. لا تستخدم عدة كهربائية عندما تكون متعباً أو عندما تكون تحت تأثير المخدرات أو الكحول أو الأدوية. عدم الانتباه للحظة واحدة عند استخدام العدد الكهربائية قد يؤدي إلى إصابات خطيرة.

قم بارتداء تجهيزات الحماية الشخصية. وارتد دائماً نظارات واقية. إن ارتداء تجهيزات الحماية الشخصية، كقناع الوقاية من الغبار وأحذية الأمان الواقية من الانزلاق والوذو أو واقية الأذنين، حسب ظروف استعمال العدد الكهربائية، يقلل من خطر الإصابة بجروح.

تجنب التشغيل بشكل غير مقصود. تأكد من كون العدد الكهربائية مطفأة قبل توصيلها بالتيار الكهربائي و/أو بالمركم، وقبل رفعها أو حملها. إن كنت تضع إصبعك على المفتاح أثناء حمل العدد الكهربائية أو إن وصلت الجهاز بالشبكة الكهربائية بينما المفتاح على وضع التشغيل، فقد يؤدي هذا إلى وقوع الحوادث.

انزع أي أداة ضبط أو مفتاح ربط قبل تشغيل العدد الكهربائية. قد يؤدي ترك أداة أو مفتاح في جزء دوار من الجهاز إلى الإصابة بجروح.

تجنب أوضاع الجسم غير الطبيعية. قف بأمان وحافظ على توازنك دائماً. سيسمح لك ذلك بالتمكك في الجهاز بشكل أفضل في المواقف غير المتوقعة.

قم بارتداء ثياب مناسبة. لا ترتد الثياب الفضفاضة أو الحلي المتدلية. حافظ على إبقاء الشعر والثياب والغفازات على بعد عن أجزاء الجهاز المتحركة. قد تتشابك الثياب الفضفاضة والملى والشعر الطويل بالأجزاء المتحركة.

في حالة التزود بتجهيزات شطف وتجميع الغبار، فتأكد من أنها موصلة ومستخدمة بشكل سليم. قد يقلل استخدام تجهيزات شطف الغبار من المخاطر الناتجة عن الغبار.

استخدام العدد الكهربائية والعناية بها

لا تقطر في تحميل الجهاز. استخدم لتنفيذ أشغالك العدد الكهربائية المخصصة لذلك. استخدام العدد الكهربائية الصحيحة سنجز العمل بصورة أفضل وأكثر أماناً بالمعدل الذي صممت من أجله.

لا تستخدم العدد الكهربائية إن كان مفتاح تشغيلها معطل. العدد الكهربائية التي لم يعد من الممكن التحكم بها عن طريق مفتاح التشغيل والإطفاء تعتبر خطرة ويجب أن يتم إصلاحها.

افصل القابس من المقبس و/أو انزع المركم من العدد الكهربائية قبل إجراء أي أعمال الضبط على الجهاز وقبل استبدال التوابع أو قبل تخزين العدد الكهربائية. تقلل هذه

تعليمات الأمان لآلات الثقب ومفكات اللوالب

- ◀ **احرص على ارتداء واقبات السمع أثناء الثقب الطرقي.** التعرض للضوضاء الناتجة عن ذلك قد يتسبب في فقدان السمع.
- ◀ **استخدم المقبض (المقابض) الإضافية إذا كانت العدة مزودة بها.** فقدان السيطرة على المعدة قد يتسبب في حدوث إصابات.
- ◀ **استخدم أجهزة تنقيب ملائمة للعثور على الامداد المحلية.** ملامسة الخطوط الكهربائية قد تؤدي إلى اندلاع النار وإلى الصدمات الكهربائية. حدوث أضرار بنخ الغاز قد يؤدي إلى حدوث انفجارات. اختراق خط الماء يتسبب في وقوع أضرار مادية.
- ◀ **أمسك العدة الكهربائية من أسطح المسك المعزولة عند القيام بأعمال قد يترتب عليها ملامسة ملحق القطع أو أداة الربط لأسلاك كهربائية غير ظاهرة.** ملامسة ملحق القطع وأدوات الربط لسلك «مكهرب» قد يتسبب في مرور التيار في الأجزاء المعدنية من العدة وجعلها مكهربة مما قد يصيب المشغل بصدمة كهربائية.
- ◀ **أمسك بالعدة الكهربائية بإحكام.** قد تتشكل عزوم رد فعل عالية لوهلة قصيرة عند إحكام شد وحل اللوالب.
- ◀ **احرص على تأمين قطعة الشغل. قطعة الشغل المثبتة بواسطة تجهيزه شد أو بواسطة الملزمة مثبتة بأمان أكبر مما لو تم الإمساك بها بواسطة يدك.**
- ◀ **انتظر إلى أن تتوقف العدة الكهربائية عن الحركة قبل أن تضعها جانباً.** قد تتكبد عدة الشغل فتؤدي إلى فقدان السيطرة على العدة الكهربائية.
- ◀ **قد تنطلق أبخرة عند تلف المرمك واستخدامه بطريقة غير ملائمة.** أمن توفر الهواء النقي وراجع الطبيب إن شعرت بالأم. قد تهيج هذه الأبخرة المجاري التنفسية.
- ◀ **لا تفتح المرمك.** يتشكل خطر تقصير الدائرة الكهربائية.
- ◀ **يمكن أن يتعرض المرمك لأضرار من خلال الأشياء المدببة مثل المسامير والمفكات أو من خلال تأثير القوى الخارجية.** وقد يؤدي هذا إلى تقصير الدائرة الكهربائية الداخلية واختراق المرمك وأخروج الأدخنة منه أو انفجاره وتعرضه لسخونة مفرطة.
- ◀ **اقتصر على استخدام المرمك في منتجات الجهة المصنعة.** يتم حماية المرمك من فرط التحميل الخطير بهذه الطريقة فقط دون غيرها.
- ◀ **احم المرمك من الحرارة، بما فيه التعرض لأشعة الشمس باستمرار ومن النار والماء والرطوبة.** قد يتشكل خطر الانفجار.



الإجراءات وقائية من خطر تشغيل العدة الكهربائية بشكل غير مقصود.

- ◀ **احتفظ بالعدد الكهربائية التي لا يتم استخدامها بعيداً عن متناول الأطفال.** لا تسمح باستخدام العدة الكهربائية لمن لا خبرة له بها أو لمن لم يقرأ تلك التعليمات. العدد الكهربائية خطيرة إن تم استخدامها من قبل أشخاص دون خبرة.
- ◀ **احرص على صيانة العدد الكهربائية.** تأكد أن أجزاء الجهاز المتمركبة مركبة بشكل سليم وغير مستعصبة المركبة، وتفحص ما إن كانت هناك أجزاء مكسورة أو في حالة تؤثر على سلامة أداء العدة الكهربائية. ينبغي إصلاح هذه الأجزاء التالفة قبل إعادة تشغيل الجهاز. الكثير من المواد مصدرها العدد الكهربائية التي تتم صيانتها بشكل ردي.
- ◀ **احرص على إبقاء عدد القطع نظيفة وحادة.** إن عدد القطع ذات حواف القطع المادة التي تم صيانتها بعناية تتكبد بشكل أقل ويمكن توجيهها بشكل أسير.
- ◀ **استخدم العدد الكهربائية والتوابع وريش الشغل إلخ. وفقاً لهذه التعليمات. تراعى أثناء ذلك ظروف الشغل والعمل المراد تنفيذه.** استخدام العدد الكهربائية لغير الأعمال المخصصة لأجلها قد يؤدي إلى حدوث الحلات الخطيرة.
- ◀ **استخدام العدد المزودة بمرمك والعيانة بها**
- ◀ **اشحن المراكم فقط في أجهزة الشحن التي أوصت الجهة الصانعة باستخدامها.** قد يتسبب جهاز الشحن المخصص لنوع معين من المراكم في خطر الحريق إن تم استخدامه مع نوع آخر من المراكم.
- ◀ **استخدم العدد الكهربائية فقط مع المراكم المصممة لهذا الغرض.** قد يؤدي استخدام المراكم الأخرى إلى إصابات وإلى خطر نشوب الحرائق.
- ◀ **حافظ على إبعاد المرمك الذي لا يتم استعماله عن القطع المعدنية مثل مشابك الورق وقطع النقود المعدنية والمفاتيح والمسامير واللوالب أو غيرها من الأغراض المعدنية الصغيرة التي قد تتسبب في توصيل الملامسين ببعضهما البعض.** قد يؤدي تقصير الدارة الكهربائية بين ملامسي المرمك إلى الإصابة بحروق أو إلى اندلاع النار.
- ◀ **قد يتسرب السائل من المرمك في حالة سوء الاستعمال.** تجنب ملامسته. في حال ملامسته بشكل غير مقصود اشطف الجزء المصاب بالماء. إن وصل السائل إلى العينين، استشر الطبيب بالإضافة إلى ذلك. قد يؤدي سائل المرمك المتسرب إلى تهيج البشرة أو إلى الاحتراق.
- ◀ **الخدمة**
- ◀ **احرص على إصلاح عدتك الكهربائية فقط بواسطة الفنيين المتخصصين وباستعمال قطع الغيار الأصلية فقط.** يضمن ذلك المحافظة على أمان الجهاز.

وصف المنتج والأداء



اقرأ جميع إرشادات الأمان والتعليمات. ارتكاب الأخطاء عند تطبيق إرشادات الأمان والتعليمات، قد يؤدي إلى حدوث صدمات كهربائية أو إلى نشوب الحرائق و/أو الإصابة بجروح خطيرة.

يرجى الرجوع إلى الصور الموجودة في الجزء الأول من دليل التشغيل.

الاستعمال المخصص

العدة الكهربائية مخصصة لربط وحل اللوالب بالإضافة إلى الثقب في الخشب والمعدن والسيراميك واللدائن. العدة الكهربائية GSB مخصصة بالإضافة إلى ذلك للثقب الطرقي في الطوب والخرسانة والمجر.

الأجزاء المصورة

يشير ترقيم الأجزاء المصورة إلى رسوم العدة الكهربائية الموجودة في صفحة الرسوم التخطيطية.

البيانات الفنية

مفك براغي بمركم			
GSB 120-LI	GSR 120-LI		
3 601 JG8 1..	3 601 JG8 0..		
12	12	=	فلط
			عدد اللفات اللاحملي
400 - 0	400 - 0	دقيقة ⁻¹	- السرعة الأولى
1500 - 0	1500 - 0	دقيقة ⁻¹	- السرعة الثانية
1,1	0,97	كجم	الوزن حسب EPTA-Procedure 01:2014
			درجة الحرارة المحيطة المسموح بها
45+ ...0	45+ ...0	°م	- عند الشحن
50+ ...20-	50+ ...20-	°م	- عند التشغيل ^(A) وعند التخزين
..GBA 12V	..GBA 12V		المراكم الموصى بها
GAL 12..CV	GAL 12..CV		أجهزة الشحن الموصى بها
..GAL 12V	..GAL 12V		

(A) قدرة محدودة في درجات الحرارة > 0 °م

التركيب

◀ **انزع المركم عن العدة الكهربائية قبل إجراء أي أعمال بالعدة الكهربائية (مثلاً: الصيانة، استبدال العدد وإلخ..)** وأيضاً عند نقلها أو تخزينها. هناك خطر إصابة بجروح عند الضغط على مفاتيح التشغيل والإطفاء بشكل غير مقصود.

إخراج المركم (انظر الصورة A)

◀ **استخدم فقط أجهزة الشحن المذكورة في صفحة التوايح.** أجهزة الشحن هذه دون غيرها هي المتوائمة مع مركم أيونات الليثيوم المستخدم في عدتك الكهربائية.

إرشاد: يتم تسليم المركم وهو بحالة شحن جزئي. لضمان قدرة أداء المركم الكاملة، يتوجب شحن الركم

- (1) حاضن العدة
- (2) ظرف المثقاب سريع الربط
- (3) حلقة ضبط اختيار عزم الدوران مسبقاً
- (4) مفاتيح اختيار أنواع التشغيل (GSB 120-LI)
- (5) مفاتيح اختيار ترس السرعة
- (6) مفاتيح تحويل اتجاه الدوران
- (7) زر فك إقفال المركم^(A)
- (8) مركم^(A)
- (9) مقبض (مقبض مسك معزول)
- (10) مفاتيح التشغيل والإطفاء
- (11) مصباح الضوء القوي „PowerLight“
- (12) لقمة مفك براغي^(A)
- (13) حامل اللقم العام^(A)

(A) لا يتضمن إطار التوريد الاعتيادي التوايح المصورة أو المشروحة. تجد التوايح الكاملة في برنامجنا للتوايح.

في تجهيزه الشحن بشكل كامل قبل الاستعمال الأول.

يمكن أن يتم شحن مركم أيونات الليثيوم في أي وقت، دون الحد من فترة صلاحيته. لا يضر قطع عملية الشحن بالمركم.

لقد تمّ وقاية مركم أيونات الليثيوم من التفريغ الشديد بواسطة واقية الخلايا الإلكترونية (ECP). في حالة فراغ شحنة المركم يتم إيقاف الشاقطة العاملة بمركم من خلال خاصية الفصل الوقائي.

◀ **لا تتابع الضغط على مفاتيح التشغيل والإطفاء بعد انطفاء العدة الكهربائية بشكل آلي.** فقد يتلف المركم.

لخلع المركم (8) اضغط على زر فك الإقفال (7) واجذب المركم من العدة الكهربائية إلى أسفل. لا تستخدم القوة أثناء ذلك.

تراعى الملاحظات بصدد التخلص من العدد.

استبدال العدد (انظر الصورة B)

عند عدم الضغط على مفتاح التشغيل والإطفاء (10) يتم تثبيت محور دوران المثقاب. يسمع ذلك باستبدال عدة الشغل بطرف المثقاب بشكل سريع ومرعب وبسيط.

افتح ظرف ريش الثقب سريع الربط (2) من خلال إدارته في اتجاه دوران ①، إلى أن تتمكن من تلقيم العدة. قم بتركيب العدة.

أغلق جلبة ظرف ريش الثقب سريع الربط (2) بإدارتها في الاتجاه ② يدويا بقوة، إلى حد سماع صوت التعاقب بوضوح. يتم تأمين قفل ظرف ريش الثقب بذلك أوتوماتيكيا.

بثقة إعادة فك الإقفال عند إدارة الجلبة إلى الاتجاه المعاكس من أجل خلع العدة.

شفط الغبار/النشارة

إن أغبرة بعض المواد كالطلاء الذي يحتوي على الرصاص، وبعض أنواع الخشب والفلزات والمعادن، قد تكون مضرّة بالصحة. إن ملامسة أو استنشاق الأغبرة قد يؤدي إلى ردود فعل زائدة الحساسية و/أو إلى أمراض المجاري التنفسية لدى المستخدم أو لدى الأشخاص المتواجدين على مقربة من المكان. تعتبر بعض الأغبرة المعينة، كأغبرة البلوط والزان من مسببات السرطان، وبالأخص عند اتصالها بالمواد الإضافية الخاصة بمعالجة الخشب (ملح حامض الكروميك، المواد الحافظة للخشب). يجوز أن يتم معالجة المواد التي تحتوي على الأسبستوس من قبل العمال المتخصصين فقط دون غيرهم.

- حافظ على تهوية مكان الشغل بشكل جيد.
- ينصح بارتداء قناع وواقي للتنفس من فئة المرشح P2.

تراعى الأحكام السارية في بلدكم بالنسبة للمواد المرعوب معالجتها.

◀ تجنب تراكم الغبار بمكان العمل. يجوز أن تشتعل الأغبرة بسهولة.

التشغيل

بدء التشغيل

تركيب المركب

إرشاد: استخدام المراكم غير المناسبة لعدتك الكهربائية يمكن أن يؤدي إلى حدوث اختلالات وظيفية أو إلى إلحاق الضرر بالعدة الكهربائية. اضبط مفتاح تحويل اتجاه الدوران (6) على الوضع المتوسط لمنع التشغيل غير المقصود. ضع المركب المشحون (8) في المقبض إلى أن يثبت بصوت مسموع، ويتساطع مع المقبض.

ضبط اتجاه الدوران (انظر الصورة C)

يمكنك أن تغير اتجاه دوران العدة الكهربائية (6) بواسطة مفتاح تغيير اتجاه الدوران. إلا أنه لا يمكن تغييره عندما يكون مفتاح التشغيل والإطفاء (10) مضغوطة.

دوران يميني: للثقب ولربط اللوالب، اضغط على مفتاح تحويل اتجاه الدوران (6) إلى اليسار حتى النهاية.

دوران إلى اليسار: لحل أو فك اللوالب والصواميل اضغط مفتاح تغيير اتجاه الدوران (6) إلى اليمين حتى المصدر.

ضبط نوع التشغيل

الثقب

GSR 120-LI



اضبط طارة ضبط الاختيار المسبق لعزم الدوران (3) على رمز «الثقب».

GSB 120-LI

اضبط زر اختيار نوع التشغيل (4) على رمز «الثقب».

لوالب

GSR 120-LI



اضبط طارة ضبط الاختيار المسبق لعزم الدوران (3) على عزم الدوران المرغوب.

GSB 120-LI

اضبط زر اختيار نوع التشغيل (4) على رمز «ربط اللوالب».

اضبط طارة ضبط الاختيار المسبق لعزم الدوران (3) على عزم الدوران المرغوب.

الثقب المرفق بالطرق

GSB 120-LI



اضبط زر اختيار نوع التشغيل (4) على رمز «الثقب المرفق بالطرق».

ضبط عزم الدوران مسبقا

تسمح لك حلقة ضبط اختيار عزم الدوران مسبقا (3) بضبط عزم الدوران المطلوب على 20 درجة بشكل مسبق. عند الضبط الصحيح يتم إيقاف عدة الشغل بمجرد استواء اللولب بعد ربطه مع سطح الخامة أو الوصول إلى عزم لدوران المضبوط. في الوضع ④ تكون القارئة الكلايية مطفاة، من أجل إجراء أعمال التثقيب مثلاً.

اختر ضبط أعلى عند فك اللوالب أو اضبط على رمز ④.

اختيار ترس السرعة ميكانيكيا

◀ اضبط مفتاح اختيار ترس السرعة (5) فقط عندما تكون العدة الكهربائية متوقفة عن الحركة.

يمكنك بواسطة مفتاح اختيار ترس السرعة (5) أن تختار مجالين اثنين لسرعة الدوران مسبقا.

ترس السرعة ا:

مجال عدد لفات منخفض، لربط اللوالب أو للشغل بقطر ثقب كبير.

ترس السرعة اا:

مجال عدد لفات مرتفع لأداء العمل بقطر ثقب صغير. إن لم يسمع مفتاح اختيار ترس السرعة (5) بدفقه إلى حد المصادمة، فأدر حاضن العدة (1) بواسطة عدة الشغل بعض الشيء.

استخدم عند تنقيب المعادن فقط لقم التنقيب (HSS= الفولاذ العالي القدرة والسريع القطع).
يضمن برنامج توابع بوش الجودة المناسبة.
قبل ربط اللوالب الكبيرة الطويلة في الخيامات القاسية، ينصح بإجراء ثقب تمهيدي بقطر 1/3 طول اللولب وبمقدار 2/3 طول اللولب.

الصيانة والخدمة

الصيانة والتنظيف

- ◀ **انزع المرمك عن العدة الكهربائية قبل إجراء أي أعمال بالعدة الكهربائية (مثلاً: الصيانة، استبدال العدد وإلخ..)** وأيضاً عند نقلها أو تخزينها. هناك خطر إصابة بروج عند الضغط على مفتاح التشغيل والإطفاء بشكل غير مقصود.
- ◀ **للعمل بشكل جيد وأمن حافظ دائماً على نظافة العدة الكهربائية وقتما التهوية.**

خدمة العملاء واستشارات الاستخدام

يجب مركز خدمة العملاء على الأسئلة المتعلقة بإصلاح المنتج وصيانته، بالإضافة لقطع الغيار. تجد الرسوم التفصيلية والمعلومات الخاصة بقطع الغيار في الموقع: www.bosch-pt.com
يسر فريق Bosch لاستشارات الاستخدام مساعدتك إذا كان لديك أي استفسارات بخصوص منتجنا وملحقاتها.

عند إرسال أية استفسارات أو طلبيات بخصوص قطع غيار يلزم ذكر رقم الصنف ذو الخانات العشر وفقاً للوحة صنع المنتج.

الجزائر

سيستال
منطقة الحدادين الصناعية
06000 بجاية
هاتف: +213 0982 400 991/2
فاكس: +213 03 420 1569
بريد إلكتروني: sav@siestal-dz.com

البحرين

مؤسسة حاتم الجفالي للمعدات الفنية.
مملكة البحرين، طريق سترة السريع، منطقة العكر
هاتف: +966126971777-311
فاكس: +97317704257
بريد إلكتروني: h.berjas@eajb.com.sa

مصر

يونيمار
20 مركز خدمات
التجمع الأول - القاهرة الجديدة
هاتف: +20 2224 76091-95
هاتف: +20 2224 78072-73
فاكس: +20222478075
بريد إلكتروني: adelzaki@unimaregypt.com

العراق

مجموعة الصهبا للتكنولوجيا
شارع مطار المثنى
بغداد
هاتف: +9647901906953

التشغيل والإطفاء

لغرض تشغيل العدة الكهربائية اضغط على مفتاح التشغيل والإطفاء (10) وحافظ على إبقائه مضغوطاً. يضيء المصباح (11) عند الضغط على مفتاح التشغيل والإطفاء (10) بشكل جزئي أو كامل ويسمع بإضاءة مكان الشغل إن كانت ظروف الإضاءة غير ملائمة. لغرض إطفاء العدة الكهربائية اترك مفتاح التشغيل والإطفاء (10).

ضبط عدد الدوران

يمكنك أن تتحكم بعدد دوران العدة الكهربائية قيد التشغيل دون تدريج، حسب مدى الضغط على مفتاح التشغيل والإطفاء (10).
يؤدي الضغط الخفيف على مفتاح التشغيل والإطفاء (10) إلى عدد لفات منخفض. يزداد عدد اللفات بزيادة الضغط.

ضبط عدد اللفات/الطرقات مسبقاً (GSB 120-LI)

يمكنك أن تتحكم بعدد اللفات/عدد الطرقات بالعدة الكهربائية قيد التشغيل دون تدريج، حسب مدى الضغط على مفتاح التشغيل والإطفاء (10).
يؤدي الضغط الخفيف على مفتاح التشغيل والإطفاء (10) إلى عدد لفات/طرقات منخفض. ويرتفع عدد اللفات/الطرقات بزيادة الضغط.

تثبيت آلي كامل لمحور الدوران (إفقال آلي)

عندما يكون مفتاح التشغيل/الإطفاء (10) غير مضغوط يتم تثبيت محور دوران المثقاب وبالتالي الحاضر.
ويسمح ذلك بربط اللوالب حتى لو كان المرمك فارغ أو باستخدام العدة الكهربائية بمثابة مفك براغي اعتيادي.

مكبح إنهاء الدوران

عند إطلاق مفتاح التشغيل والإطفاء (10) يتم كبح ظرف المثقاب مما يمنع عدة الشغل من متابعة دورانها.

لا تطلق مفتاح التشغيل والإطفاء (10) عند ربط اللوالب، إلا بعد أن يكون قد تم ربط اللولب بمادة الشغل بتساطح. لن يغطس رأس اللولب في مادة الشغل عندئذ.

وسيلة حماية من التحميل الزائد المرتبطة بدرجة الحرارة

في الاستعمال المطابق للتعليمات لا يمكن تعريض العدة الكهربائية للتحميل الزائد. في حالة التحميل الشديد أو الخروج من النطاق المسموح به لدرجة حرارة المرمك يتم تقليل عدد اللفات. لا تعمل العدة الكهربائية بسرعة الدوران الكاملة إلا بعد الوصول إلى درجة الحرارة المقررة للمرمك مرة أخرى.

إرشادات العمل

◀ **ضع العدة الكهربائية على اللولب/الصامولة فقط عندما تكون مطفأة.** إن عدد الشغل الدوارة قد تنزلق.

بعد العمل لفترة طويلة بعدد لفات منخفض ينبغي إدارة العدة الكهربائية لمدة 3 دقائق بأقصى عدد لفات من أجل تبريدها.

هاتف دبي: +97143973851
 بريد إلكتروني: bosch@sahbatechnology.com
الأردن
 الجذور العربية Roots Arabia – الأردن
 شارع ناصر بن جميل، المبنى 37 الرابية
 11194 عمان
 هاتف: +962 6 5545778
 بريد إلكتروني: bosch@rootsjordan.com
الكويت
 شركة القرين لتجارة السيارات
 منطقة الشويخ الصناعية، مبنى 1، قطعة 16، شارع
 رقم 3
 صندوق بريد صندوق 164 – 13002 الصفاة
 هاتف: 24810844
 فاكس: 24810879
 بريد إلكتروني: josephkr@aaalmutawa.com
 لبنان
 طيني هنا وشركاه ش.ذ.م.م.
 صندوق بريد صندوق 90-449
 جديده
 الدورة-بيروت
 هاتف: +9611255211
 بريد إلكتروني: service-pt@tehini-hana.com

المغرب
 روبرت بوش المغرب ش.ذ.م.م.
 53، زنقة الملازم مرهود محمد
 20300 كازابلانكا
 بريد إلكتروني: sav.outillage@ma.bosch.com
 عُمان
 ملتن للتجارة والمقاولات ش.م.م.
 صندوق بريد صندوق 131
 حي روي، 112 سلطة عُمان
 هاتف: +968 99886794
 بريد إلكتروني: malatanpowertools@malatan.net

النقل
 تخضع مراكم أيونات الليثيوم المركبة لأحكام قانون
 المواد الخطيرة. يسمح للمستخدم أن يقوم بنقل
 المراكم على الطرقات دون التقيد بأية شروط
 إضافية.
 عندما يتم إرسالها عن طريق طرف آخر (مثلاً: الشحن
 الجوي أو شركة شحن)، يتوجب التقيد بشروط خاصة
 بصدد التغليف ووضع العلامات. ينبغي استشارة خبير
 متخصص بنقل المواد الخطيرة عندما يرغب بتحضير
 المرمك المراد شحنه في هذه الحالة.
 لا تقوم بشحن المراكم إلا إذا كان هيكلها الخارجي
 سليم. قم بتغطية الملامسات المكشوفة بلبصقات،
 وقم بتغليف المرمك بحيث لا يتحرك في الطرد. يرجى
 أيضاً مراعاة التشريعات المحلية المتعلقة إن وجدت.

التخلص من العدة الكهربائية
 يجب التخلص من العدة الكهربائية
 والمركم والتوابع والتغليف بطريقة
 صديقة للبيئة عن طريق النفايات القابلة
 لإعادة التصنيع.
 لا تلق العدة الكهربائية والمراكم/
 البطاريات ضمن النفايات المنزلية!



فقط لدول الاتحاد الأوروبي:

حسب التوجيه الأوروبي 2012/19/EU، يجب أن يتم
 جمع العدة الكهربائية غير الصالحة للاستعمال، وحسب
 التوجيه الأوروبي 2006/66/EC يجب أن يتم جمع
 المراكم/البطاريات التالفة أو المستهلكة كل على حدة
 ليتم التخلص منها بطريقة محافظة على البيئة عن
 طريق تسليمها لمراكز النفايات القابلة لإعادة التصنيع.

المراكم/البطاريات:

مراكم أيونات الليثيوم:

يرجى مراعاة الإرشادات الواردة في جزء النقل (انظر
 „النقل“، الصفحة 52).

قطر

الدولية لحلول البناء ش.م.م.
 صندوق بريد صندوق 51،
 هاتف الدوحة: +974 40065458
 فاكس: +974 4453 8585
 بريد إلكتروني: csd@icsdoha.com

المملكة العربية السعودية

الجمالي وأخوانه للمعدات الفنية (جيتكو)
 الكيلو 14، طريق المدينة، منطقة البوادي
 21431 جدة

هاتف: +966 2 6672222 فرعي 1528
 فاكس: +966 2 6676308
 بريد إلكتروني: roland@ejb.com.sa

سوريا

مؤسسة دلال للأدوات الكهربائية
 صندوق بريد صندوق 1030
 حلب

هاتف: +963212116083
 بريد إلكتروني: rita.dallal@hotmail.com

تونس

روبرت بوش تونس ش.ذ.م.م.
 7 زنقة ابن بطوطة Z.I. سان جوبان
 مقرين رياض

آفارسى

دستورات ایمنی

هشدارهای ایمنی عمومی برای ابزارهای برقی

⚠ هشدار

تمامی هشدارهای ایمنی و دستورالعملها را مطالعه

کنید. عدم رعایت هشدارها و دستورالعملها ممکن است باعث برق گرفتگی، سوختگی و یا جراحتهای جدی شود.

کلیه هشدارهای ایمنی و دستورالعملها را برای مراجعات بعدی نگهداری کنید.

عبارت «ابزار برقی» در هشدارها به ابزارهایی که به پریز برق متصل میشوند (با سیم برق) و یا ابزارهای برقی باتری دار (بدون سیم برق) اشاره دارد.

ایمنی محل کار

◀ محیط کار را تمیز و روشن نگه دارید. محیطهای در هم ریخته یا تاریک احتمال بروز حادثه را افزایش میدهند.

◀ ابزار برقی را در محیطهایی که خطر انفجار وجود دارد و حاوی مایعات، گازها و بخارهای متحرکه هستند، به کار نگیرید. ابزارهای برقی جرقههایی ایجاد میکنند که میتوانند باعث آتش گرفتن گرد و غبارهای موجود در هوا شوند.

◀ هنگام کار با ابزار برقی، کودکان و سایر افراد را از دستگاه دور نگه دارید. در صورتیکه حواس شما پرت شود، ممکن است کنترل دستگاه از دست شما خارج شود.

ایمنی الکتریکی

◀ دوشاخه ابزار برقی باید با پریز برق تناسب داشته باشد. هیچگونه تغییری در دوشاخه ایجاد نکنید. برای ابزارهای برقی دارای اتصال زمین (ارت)، از هیچگونه مبدل دو شاخه استفاده نکنید. دوشاخههای اصل و تغییر داده نشده و پریزهای مناسب، خطر برق گرفتگی را کاهش میدهند.

◀ از تماس بدن با قطعات متصل به سیم اتصال زمین مانند لوله، شوفاژ، اجاق برقی و یخچال خودداری کنید. در صورت تماس بدنی با سطوح و قطعات دارای اتصال به زمین و همچنین تماس شما با زمین، خطر برق گرفتگی افزایش می یابد.

◀ ابزارهای برقی را در معرض باران و رطوبت قرار ندهید. نفوذ آب به ابزار برقی، خطر شوک الکتریکی را افزایش میدهد.

◀ از سیم دستگاه برای مقاصد دیگر استفاده نکنید. هرگز برای حمل ابزار برقی، کشیدن آن یا خارج کردن دوشاخه از سیم دستگاه استفاده نکنید. کابل دستگاه را از حرارت، روغن، لپهای تیز یا قطعات متحرک دور نگه دارید. کابلهای آسیب دیده و یا گره خورده خطر شوک الکتریکی را افزایش میدهند.

◀ هنگام استفاده از ابزار برقی در محیطهای باز، تنها از کابل رابطی استفاده کنید که برای محیط باز نیز مناسب باشد. کابلهای رابط مناسب

برای محیط باز، خطر برق گرفتگی را کاهش میدهند.

◀ در صورت لزوم به کار با ابزار برقی در محیط و اماکن مرطوب، باید از یک کلید حفاظتی جریان خطا و نشستی زمین (کلید قطع کننده اتصال با زمین) استفاده شود. استفاده از کلید حفاظتی جریان خطا و نشستی زمین خطر برق گرفتگی را کاهش میدهد.

رعایت ایمنی شخصی

◀ حواس خود را خوب جمع کنید، به کار خود دقت کنید و با فکر و هوشیاری کامل با ابزار برقی کار کنید. در صورت سستی و یا در صورتی که از مواد مخدر، الکل و دارو استفاده کرده‌اید، با ابزار برقی کار نکنید. یک لحظه بی توجهی هنگام کار با ابزار برقی، میتواند جراحت های شدیدی به همراه داشته باشد.

◀ از تجهیزات ایمنی شخصی استفاده کنید. همواره از عینک ایمنی استفاده نمایید. استفاده از تجهیزات ایمنی مانند ماسک ایمنی، کفشهای ایمنی ضد لغزش، کلاه ایمنی و گوشی ایمنی متناسب با نوع کار، خطر مجروح شدن را کاهش میدهد.

◀ مواظب باشید که ابزار برقی بطور ناخواسته بکار نیفتد. قبل از وارد کردن دوشاخه دستگاه در پریز برق، اتصال آن به باتری و برداشتن یا حمل دستگاه، دقت کنید که ابزار برقی خاموش باشد. در صورتی که هنگام حمل دستگاه انگشت شما روی دکمه قطع و وصل باشد و یا دستگاه را در حالت روشن به برق بزنید، ممکن است سوانح کاری پیش آید.

◀ قبل از روشن کردن ابزار برقی، همه ابزارهای تنظیم کننده و آپارها را از روی دستگاه بردارید. ابزار و آپارهایی که روی بخشهای چرخنده دستگاه قرار دارند، میتوانند باعث ایجاد جراحت شوند.

◀ وضعیت بدن شما باید در حالت عادی قرار داشته باشد. برای کار جای مطمئنی برای خود انتخاب کرده و تعادل خود را همواره حفظ کنید. به این ترتیب میتوانید ابزار برقی را در وضعیتهای غیر منتظره بهتر تحت کنترل داشته باشید.

◀ لباس مناسب بپوشید. از پوشیدن لباسهای گشاد و حمل زینت آلات خودداری کنید. موها، لباس و دستکشها را از بخشهای در حال چرخش دستگاه دور نگه دارید. لباسهای گشاد، موی بلند و زینت آلات ممکن است در قسمتهای در حال چرخش دستگاه گیر کنند.

◀ در صورتی که تجهیزاتی برای اتصال وسایل مکش گرد و غبار و یا وسیله جمع کننده گرد و غبار ارائه شده است، باید مطمئن شوید که این وسایل درست نصب و استفاده می شوند. استفاده از وسایل مکش گرد و غبار مصنوعیت شما را در برابر گرد و غبار زیادتار میکند.

◀ استفاده صحیح از ابزار برقی و مراقبت از آن از وارد کردن فشار زیاد روی دستگاه خودداری کنید. برای هر کاری، از ابزار برقی مناسب با آن استفاده کنید. بکار گرفتن ابزار

خارج شده از باتری می‌تواند باعث التهاب پوست و سوختگی شود.

سرویس

- ◀ برای تعمیر ابزار برقی فقط به متخصصین حرفه‌ای رجوع کنید و از قطعات بدکی اصل استفاده ننمایید. این باعث خواهد شد که ایمنی دستگاه شما تضمین گردد.

نکات ایمنی برای دریل ها و پیچ گوشتی ها

- ◀ هنگام کار با دریل ضربهای از گوشی ایمنی استفاده کنید. قرار گرفتن در معرض سر و صدا، می‌تواند به شنوایی آسیب برساند.
- ◀ از دسته کمکی، در صورتی که به همراه ابزار ارائه شده است استفاده کنید. از دست دادن کنترل بر روی ابزار می‌تواند باعث بروز جراحت شود.
- ◀ برای پیدا کردن لوله ها و سیم های پنهان موجود در ساختمان و محدوده کار، از یک دستگاه ردیاب مخصوص برای یافتن لوله ها و سیمهای تأسیسات استفاده کنید و یا با شرکت های کارهای تأسیسات ساختمان و خدمات مربوطه تماس بگیرید. تماس با کابل و سیمهای برق ممکن است باعث آتشسوزی و یا برق گرفتگی شود. ایراد و آسیب دیدگی لوله گاز می‌تواند باعث انفجار شود. سوراخ شدن لوله آب باعث ایجاد خسارت میشود.
- ◀ در صورت انجام کارهایی که امکان برخورد با کابلهای حامل جریان برق مخفی وجود دارد، ابزار برقی را از دسته عایق بگیرید در صورت برخورد با یک کابل حامل "جریان برق" ممکن است قسمتهای فلزی ابزار برقی حامل "جریان برق" شوند و باعث بروز شوک الکتریکی یا برق گرفتگی گردند.
- ◀ ابزار برقی را محکم بگیرید. هنگام سفت و باز کردن پیچها ممکن است گشتاورهای بازگشتی بالایی به طور موقت ایجاد شوند.
- ◀ قطعه کار را محکم کنید. در صورتیکه قطعه کار به وسیله تجهیزات نگهدارنده و یا بوسیله گیره محکم شده باشد، قطعه کار مطمئن تر نگه داشته میشود، تا اینکه بوسیله دست نگهداشته شود.
- ◀ قبل از کنار گذاشتن ابزار برقی صبر کنید تا دستگاه بطور کامل از کار و حرکت بایستد. ابزار ممکن است به قطعه کار گیر کرده و کنترل ابزار برقی از دست شما خارج شود.
- ◀ در صورتیکه باتری آسیب دیده باشد و یا از آن بطور بی رویه استفاده شود، ممکن است از باتری بخارهایی بلند شود. در این حالت هوای محیط را تازه کنید؛ اگر احساس ناراحتی کردید، به پزشک مراجعه نمائید. استنشاق این بخارها ممکن است به مجاری تنفسی شما آسیب برساند.
- ◀ باتری را باز نکنید. خطر اتصال کوتاه وجود دارد.
- ◀ بوسیله ی اشیاء تیز مانند میخ یا پیچگوشتی یا تأثیر نیروی خارجی ممکن است باتری آسیب ببیند. ممکن است اتصالی داخلی رخ دهد و باتری آتش گیرد، دود کند، منفجر شود یا بیش از حد داغ گردد.

برقی مناسب باعث میشود که بتوانید از توان دستگاه بهتر و با اطمینان بیشتر استفاده کنید.

- ◀ در صورت ایراد در کلید قطع و وصل ابزار برقی، از دستگاه استفاده نکنید. هر نوع ابزار برقی که نمی‌توان آن را با استفاده از کلید قطع و وصل کرد، خطرناک بوده و باید تعمیر شود.
- ◀ قبل از تنظیم ابزار برقی، تعویض متعلقات و یا کنار گذاشتن آن، دو شاخه را از برق بکشید و یا باتری آنرا خارج کنید. رعایت این اقدامات ایمنی پیشگیرانه از روشن شدن ناخواسته ابزار الکتریکی جلوگیری می‌کند.
- ◀ ابزار برقی را در صورت عدم استفاده، از دسترس کودکان دور نگه دارید و اجازه ندهید که افراد ناوارد و یا اشخاصی که این دفترچه راهنما را نخوانده‌اند، با این دستگاه کار کنند. قرار گرفتن ابزار برقی در دست افراد ناوارد و بی تجربه خطرناک است.
- ◀ از ابزار برقی خوب مراقبت کنید. مواظب باشید که قسمت های متحرک دستگاه خوب کار کرده و گیر نکند. همچنین دقت کنید که قطعات ابزار برقی شکسته و یا آسیب دیده نباشند. قطعات آسیب دیده را قبل از شروع به کار تعمیر کنید. علت بسیاری از سوانح کاری، عدم مراقبت کامل از ابزارهای برقی است.
- ◀ ابزارهای برقی را تیز و تمیز نگه دارید. ابزار برقی که خوب مراقبت شده و از لایه های تیز برخوردار است، کمتر در قطعه کار گیر کرده و بهتر قابل هدایت است.
- ◀ ابزار برقی، متعلقات، متنها، دستگاه و غیره را مطابق دستورالعملهای این جزوه راهنما به کار بگیرید و به شرایط کاری و نوع کار نیز توجه داشته باشید. استفاده از ابزار برقی برای عملیاتی به جز مقاصد در نظر گرفته شده، می‌تواند به بروز شرایط خطرناک منجر شود.
- ◀ مراقبت و طرز استفاده از ابزارهای شارژی باتریها را منحصراً توسط شارژرهایی که توسط سازنده توصیه شده‌اند، شارژ کنید. در صورتی که برای شارژ باتری، آنرا در شارژری قرار دهید که برای آن باتری ساخته نشده است، خطر آتش سوزی وجود دارد.
- ◀ در ابزارهای برقی فقط از باتریهایی استفاده کنید که برای آن نوع ابزار برقی در نظر گرفته شده‌اند. استفاده از باتریهای متفرقه می‌تواند منجر به بروز جراحت و حریق گردد.
- ◀ در صورت عدم استفاده از باتری، آنرا از اشیاء فلزی مثل گیره کاغذ، سکه، کلید، میخ، پیچ و دیگر وسایل کوچک فلزی دور نگه دارید، زیرا این وسایل ممکن است باعث ایجاد اتصالی شوند. ایجاد اتصالی بین دو قطب باتری (ترمینالهای باتری) می‌تواند باعث سوختگی و ایجاد حریق شود.
- ◀ استفاده بی رویه از باتری می‌تواند باعث خروج مایعات از آن شود؛ از هر گونه تماس با این مایعات خودداری کنید. در صورت تماس اتفاقی با آن، دست خود و یا محل تماس را با آب بشوئید. در صورت آلوده شدن چشم با این مایع، باید به پزشک مراجعه کنید. مایع

اجزاء دستگاہ

شماره های اجزاء دستگاہ که در تصویر مشاهده میشود، مربوط به شرح ابزار برقی می باشد که تصویر آن در این دفترچه آمده است.

- (1) ابزارگیر
- (2) سه نظام مهر سریع
- (3) حلقه تنظیم انتخاب گشتاور
- (4) کلید انتخاب انواع عملکرد (GSB 120-LI)
- (5) دکمه انتخاب دنده
- (6) کلید تغییر جهت چرخش
- (7) دکمه آزاد کننده قفل باتری^(A)
- (8) باتری^(A)
- (9) دسته (دارای سطح عایق)
- (10) کلید قطع و وصل
- (11) لامپ (PowerLight)
- (12) سربکس^(A)
- (13) نگهدارنده عمومی^(A)

(A) **کلید متعلقاتی که در تصویر و یا در متن آمده است، بطور معمول همراه دستگاہ ارائه نمی شود. لطفا لیست کامل متعلقات را از فهرست برنامه متعلقات اقتباس نمایند.**

◀ **تنها از باتری برای محصولات تولیدی شرکت استفاده کنید.** فقط در اینصورت باتری در برابر خطر اعمال فشار بیش از حد محافظت میشود.

باتری را در برابر حرارت، از جمله در برابر تابش مداوم خورشید و همچنین در برابر آتش، آب و رطوبت محفوظ بدارید. خطر انفجار وجود دارد.



توضیحات محصول و کارکرد

همه دستورات ایمنی و راهنماییها را بخوانید. اشتباهات ناشی از عدم رعایت این دستورات ایمنی ممکن است باعث برقگرفتگی، سوختگی و یا سایر جراحات های شدید شود.



به تصویرهای واقع در بخشهای اول دفترچه راهنما توجه کنید.

موارد استفاده از دستگاہ

این ابزار برقی برای پیچ کاری اعم از باز و بسته کردن پیچ ها و همچنین برای دریل کاری در چوب، فلزات، سرامیک و پلاستیک مناسب است. GSB به طور خاص برای سوراخکاری چکشی در آجر، بتن و سنگ در نظر گرفته شده است.

مشخصات فنی

GSB 120-LI		GSR 120-LI		پیچگوشتی شارژی	
3 601 JG8 1..		3 601 JG8 0..		شماره فنی	
12	12	=V		ولتاژ نامی	
				سرعت در حالت آزاد	
400-0	400-0	⁻¹ min		- دنده 1	
1500-0	1500-0	⁻¹ min		- دنده 2	
1,1	0,97	kg		وزن مطابق استاندارد EPTA-Procedure 01:2014	
				دمای محیط مجاز	
45+ ...0	45+ ...0	C°		- هنگام شارژ	
50+ ...20-	50+ ...20-	C°		- هنگام کار ^(A) و هنگام نگهداری	
..GBA 12V	..GBA 12V			باتریهای مورد توصیه	
GAL 12..CV	GAL 12..CV			شارژرهای مورد توصیه	
..-GAL 12V	..-GAL 12V				

(A) توان محدود برای دمای > 0°C

نصب

◀ **قبل از انجام هر گونه کاری با ابزار برقی (از جمله سرویس، تعویض ابزار و غیره) و همچنین به هنگام حمل و نقل و یا در انبار نگهداری کردن، باتری را از داخل ابزار برقی خارج کنید.** در صورت تماس اتفاقی با کلید قطع و وصل، خطر آسیب دیدگی وجود دارد.

برداشتن باتری (رجوع کنید به تصویر A)

◀ **همواره از شارژرهای مطابق با مندرجات صفحه مربوط به متعلقات ابزارهای شارژی**

استفاده کنید. تنها این دستگاہ های شارژ با باتری های لیتیوم-یونی (Li-Ion) ابزار برقی شما منطبق میباشند.

نکته: باتری با شارژ نسبی ارسال می شود. برای دست یافتن به توان کامل باتری، قبل از بکار گیری آن برای اولین بار باید شارژ باتری بطور کامل در دستگاہ شارژ تکمیل شود.

باتری های لیتیوم-یونی (Li-Ion) را میتوان همه وقت شارژ نمود، بدون اینکه از طول عمر آن کاسته شود. قطع کردن جریان شارژ آسبایی به باتری نمرساند.

طرز کار با دستگاه

راه اندازی و نحوه کاربرد دستگاه

جاگذاری باتری

نکته: استفاده از از باتریهای نامناسب با ابزار اندازه‌گیری ممکن است منجر به بروز خطا در عملکرد یا آسیب‌دیدگی ابزار اندازه‌گیری شود.

کلید انتخاب جهت چرخش (6) را به وسط برانید تا از روشن شدن ناخواسته جلوگیری کنید. باتری شارژ شده (8) را در دستگیره قرار دهید تا به طور محسوس جا بیفتد و همسطح با دستگیره شود.

نحوه تنظیم جهت چرخش (رجوع کنید به تصویر C)

توسط دکمه تعویض جهت چرخش (6) می‌توان جهت چرخش ابزار برقی را تغییر داد. هنگامی که کلید قطع و وصل (10) فشرده شده است، این امر ممکن نیست.

گردش به راست: برای سوراخکاری و چرخاندن پیچ‌ها، کلید تغییر جهت چرخش (6) را تا انتها به چپ فشار دهید.

گردش به چپ: برای چرخاندن و بپیچاندن و نیز سفت کردن مهرهها، کلید تغییر جهت چرخش (6) را تا انتها به راست فشار دهید.

تنظیم نوع عملکرد

دریل کاری

GSR 120-LI



رینگ تنظیم انتخاب از پیش گشتاور (3) را روی نماد „سوراخکاری“ قرار دهید.

GSB 120-LI

کلید انتخاب نوع عملکرد (4) را روی علامت "سوراخکاری" قرار دهید.

پیچکاری

GSR 120-LI



رینگ تنظیم انتخاب از پیش گشتاور (3) را روی گشتاور دلخواه قرار دهید.

GSB 120-LI

کلید انتخاب انواع عملکرد (4) را روی علامت "پیچکاری" قرار دهید.

رینگ تنظیم انتخاب از پیش گشتاور (3) را روی گشتاور دلخواه قرار دهید.

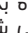
دریل کاری ضربه ای

GSR 120-LI



کلید انتخاب انواع عملکرد (4) را روی علامت "سوراخکاری چکشی" قرار دهید.

نحوه انتخاب گشتاور

توسط رینگ تنظیم انتخاب از پیش گشتاور (3) می‌توان گشتاور لازم را در 20 درجه انتخاب کرد. به محض اینکه پیچ همسطح با قطعه کار شود یا گشتاور تنظیم شده بدست آید، در صورت تنظیم صحیح، ابزار متوقف می‌شود. در حالت  کلاچ ایمنی غیر فعال است، مثلاً هنگام سوراخکاری.

باتری‌های لیتیوم-یونی دارای سیستم حفاظت الکترونیک (ECP) بوده و در برابر خالی شدن حفاظت می‌شوند. در صورت خالی بودن باتری، مکندۀ شارژی توسط سیستم حفاظتی خاموش می‌شود.

◀ پس از خاموش شدن اتوماتیک ابزار برقی، از فشار دادن مجدد کلید قطع و وصل

خودداری کنید. این می‌تواند باعث آسیب دیدن باتری شود.

برای برداشتن و خارج کردن باتری (8)، نخست دکمه آزادکننده قفل باتری (7) را فشار دهید و با کشیدن باتری بطرف پایین آنرا از داخل ابزار برقی خارج کنید. **برای این کار از افعال فشار خودداری کنید.**

به نکات مربوط به نحوه از رده خارج کردن باتری توجه کنید.

تعویض ابزار (رجوع کنید به تصویر B)

در صورت فشرده نبودن کلید قطع و وصل (10) محور دریل قفل می‌شود. این امر باعث تعویض آسان و سریع ابزار و متعلقات سه نظام میشود.

سه نظام سریع (2) را با چرخاندن در جهت 1 باز کنید تا ابزار فرارگیرد. ابزار را جا گذاری کنید.

بوش سه نظام مهار سریع (2) را در جهت 2 با دست محکم بچرخانید تا یک صدای کلیک به گوش برسد. اینگونه سه نظام به طور اتوماتیک قفل می‌شود. قفل هنگامی باز میشود، که بخواهید برای برداشتن ابزار، سه نظام را در جهت مخالف بچرخانید.

مکش گرد، براده و تراشه

گرد و غبار موادی مانند رنگ‌های دارای سرب، بعضی از چوب‌ها، مواد معدنی و فلزات میتوانند برای سلامتی مضر باشند. دست زدن و یا تنفس کردن گرد و غبار ممکن است باعث بروز آلرژی و یا بیماری مجاری تنفسی شخص استفاده کننده و یا افرادی که در آن نزدیکی می‌باشند، بشود.

گرد و غبارهای مخصوصی مانند گرد و غبار درخت بلوط و یا درخت راش سرطان زا هستند، بخصوص ترکیب آنها با سایر موادی که برای کار بر روی چوب (کرومات، مواد برای محافظت از چوب) بکار برده میشوند. فقط افراد متخصص مجازند با موادی که دارای آزیست میباشند کار کنند.

– توجه داشته باشید که محل کار شما از تهویه هوای کافی برخوردار باشد.

– توصیه میشود از ماسک تنفسی ایمنی با درجه فیلتر P2 استفاده کنید.

به قوانین و مقررات معتبر در کشور خود در رابطه با استفاده از مواد و قطعات کاری توجه کنید.

◀ **از تجمع گرد و غبار در محل کار جلوگیری کنید.** گرد و غبار می‌تواند به آسانی مشتعل شوند.

برقی دوباره پس از رسیدن به دمای مجاز باتری شارژی با تعداد دور کامل کار می کند.

راهنماییهای عملی

◀ **ابزار برقی را تنها در حالت خاموش روی پیچ و یا مهره قرار دهید.** امکان لغزش ابزار در حال چرخش وجود دارد.

پس از کار طولانی با تعداد لرزش پایین بایستی ابزار برقی جهت خنک شدن حدود 3 دقیقه با بیشترین تعداد لرزش بدون بار کار کند.

هنگام سوراخکاری در فلز تنها از متههای HSS بینقص و تیزشده (HSS=برش سریع و پرتوان فولادی) استفاده کنید. لیست ابزار و متعلقات شرکت بوش تضمین کننده بهترین کیفیت ابزار میباشد. پیش از پیچ کردن پیچ های بزرگ و بلند داخل قطعات سخت، باید نخست يك سوراخ به قطر مغزی رزوه پیچ و به اندازه 2/3 طول پیچ داخل قطعه کار ایجاد کنید.

مراقبت و سرویس

مراقبت، تعمیر و تمیز کردن دستگاه

◀ **قبل از انجام هر گونه کاری با ابزار برقی (از جمله سرویس، تعویض ابزار و غیره) و همچنین به هنگام حمل و نقل و یا در انبار نگهداری کردن، باتری را از داخل ابزار برقی خارج کنید.** در صورت تماس اتفاقی با کلید قطع و وصل، خطر آسیب دیدگی وجود دارد.

◀ **ابزار الکتریکی و شیارهای تهبه آنرا تمیز نگاه دارید، تا ایمنی شما در کار تضمین گردد.**

خدمات و مشاوره با مشتریان

دفتر خدمات پس از فروش به سئوالات شما در باره تعمیرات، سرویس و همچنین قطعات بدکی و متعلقات پاسخ خواهد داد. نقشه های سه بعدی و اطلاعات در مورد قطعات بدکی را در www.bosch-pt.com میباید: گروه مشاوره به مشتریان Bosch با کمال میل به سئوالات شما درباره محصولات و متعلقات پاسخ می دهند.

برای هرگونه سئوال و یا سفارش ابزار بدکی و متعلقات، حتماً شماره فنی ده رقمی کالا را مطابق برچسب روی ابزار برقی اطلاع دهید.


ایران

روبرت بوش ایران - شرکت بوش تجارت پارس میدان ونک، خیابان شهید خدای، خیابان آفتاب ساختمان مادران، شماره 3، طبقه سوم.

تهران 42039000 +9821
1994834571

حمل دستگاه

باتریهای لیتیوم-یونی تابع مقررات حمل کالاهای پر خطر می باشند. کاربر می تواند باتریها را بدون استفاده از روکش در خیابان حمل کند. در صورت ارسال توسط شخص ثالث (مانند: حمل و نقل هوایی یا زمینی) باید تمهیدات مربوط به بسته

برای بیرون کشیدن پیچ ها یک درجه بالاتر را انتخاب کنید یا روی نماد  بگذارید.

انتخاب مکانیکی دنده

◀ **کلید تغییر جهت چرخش (5) را هنگام متوقف بودن دستگاه فعال کنید.**

با کلید انتخاب دنده (5) می توان 2 محدوده سرعت را از پیش تنظیم کرد.

دنده ا:

محدوده سرعت کم برای پیچ کردن و یا کار با مته قطور برای سوراخهای بزرگ.

دنده اا:

محدوده سرعت بالا، برای کار با مته های کم قطر. چنانچه کلید انتخاب دنده (5) تا انتها رانده نمیشود، ابزارگیر (1) را توسط ابزار کمی بچرخانید.

نحوه روشن و خاموش کردن

برای **راهاندازی** ابزار برقی، کلید قطع و وصل (10) را فشار داده و آنرا در حالت فشرده نگهدارید. چراغ (11) هنگام کم فشرده بودن کلید قطع و وصل (10) روشن میشود و محیط کار را در صورت عدم وجود شرایط مناسب نور، روشن می کند. برای **خاموش کردن** ابزار برقی، کلید قطع و وصل (10) را رها کنید.

تنظیم سرعت (دور موتور)

سرعت ابزار برقی را می توان با فشردن دلخواه کلید قطع و وصل (10) تنظیم کرد. فشار کم روی کلید قطع و وصل (10) سرعت کاهش مییابد. افزایش فشار بر روی کلید قطع و وصل باعث افزایش سرعت میشود.

تنظیم تعداد دور/تعداد ضربه (GSB 120-LI)

سرعت ابزار برقی را می توان با فشردن دلخواه کلید قطع و وصل (10) تنظیم کرد. فشار کم روی کلید قطع و وصل (10) سرعت کاهش مییابد. افزایش فشار باعث افزایش سرعت و تعداد ضربه ها میشود.

قفل محور تمام خودکار (قفل اتوماتیک)

در صورت فشرده نبودن کلید قطع و وصل (10) محور دریل و همراه آن ابزارگیر قفل می شود. این امر امکان پیچ کردن حتی در حالت خالی بودن باتری و همچنین استفاده از دستگاه بعنوان پیچگوشی را فراهم میسازد.

ترمز متوقف کننده تدریجی

با رها کردن کلید قطع و وصل (10) ترمز سه نظام فعال می شود و اینگونه از ادامه حرکت ابزار جلوگیری می گردد.

هنگام چرخاندن پیچ ها، کلید قطع و وصل (10) را وقتی رها کنید که پیچ به طور همسطح با قطعه کار قرار گرفته باشد. به این ترتیب سر پیچ (گل پیچ) در داخل قطعه کار فرو نمی رود.

کلاج ایمنی وابسته به دما

در صورت استفاده ی اصولی فشاری به ابزار برقی وارد نمی شود. در صورت فشار زیاد یا خارج شدن از محدوده ی دمای باتری، سرعت کاهش می یابد. ابزار

بندی و علامتگذاری مورد توجه قرار گیرد. در اینصورت باید حتماً جهت آماده سازی قطعه ارسالی به کارشناس حمل کالاهای پر خطر مراجعه کرد. باتریها را فقط در صورتی ارسال کنید که بدنه آنها آسیب ندیده باشد. اتصالات (کنتاکتهای) باز را بیوشانید و باتری را طوری بسته بندی کنید که در بسته بندی تکان نخورد. در این باره لطفاً به مقررات و آیین نامه های ملی توجه کنید.

از رده خارج کردن دستگاه

ابزارهای برقی، باتری ها، متعلقات و بسته بندی ها، باید طبق مقررات حفظ محیط زیست از رده خارج و بازیافت



شوند.

ابزار برقی و باتری ها/ باتری های قابل شارژ را داخل زباله دان خانگی نیندازید!



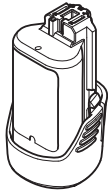
فقط برای کشورهای عضو اتحادیه اروپا:

ابزارهای اندازهگیری کهنه و غیر قابل استفاده الکتریکی طبق آئین نامه و دستورالعمل اروپائی EG/2012/19 و باتریهای خراب یا فرسوده براساس آیین نامه ی اروپایی EG/2006/66 بابستی جداگانه و متناسب با محیط زیست جمع آوری شوند

باتریهای شارژی/قلمی:

لیتیوم-یونی:

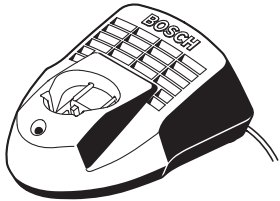
لطفاً به تذکرات بخش (رجوع کنید به „حمل دستگاه“، صفحه 57) توجه کنید.



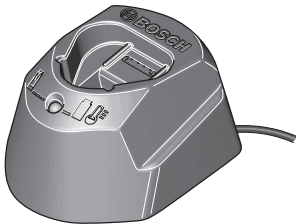
GBA 12 V...



GAL 1230 CV



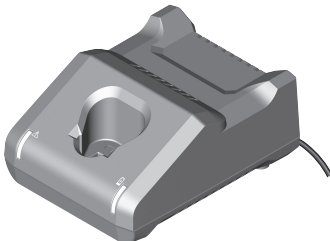
GAL 1215 CV



GAL 1210 CV



GAL 12V-20



GAL 12V-40