

Robert Bosch Power Tools GmbH
70538 Stuttgart
GERMANY

www.bosch-pt.com

1 609 92A 3N6 (2017.06) AS / 62



1 609 92A 3N6

GDC 140 Professional



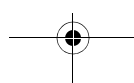
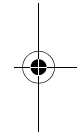
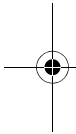
en Original instructions
fr Notice originale
pt Manual original
cn 正本使用说明书
tw 原始使用說明書

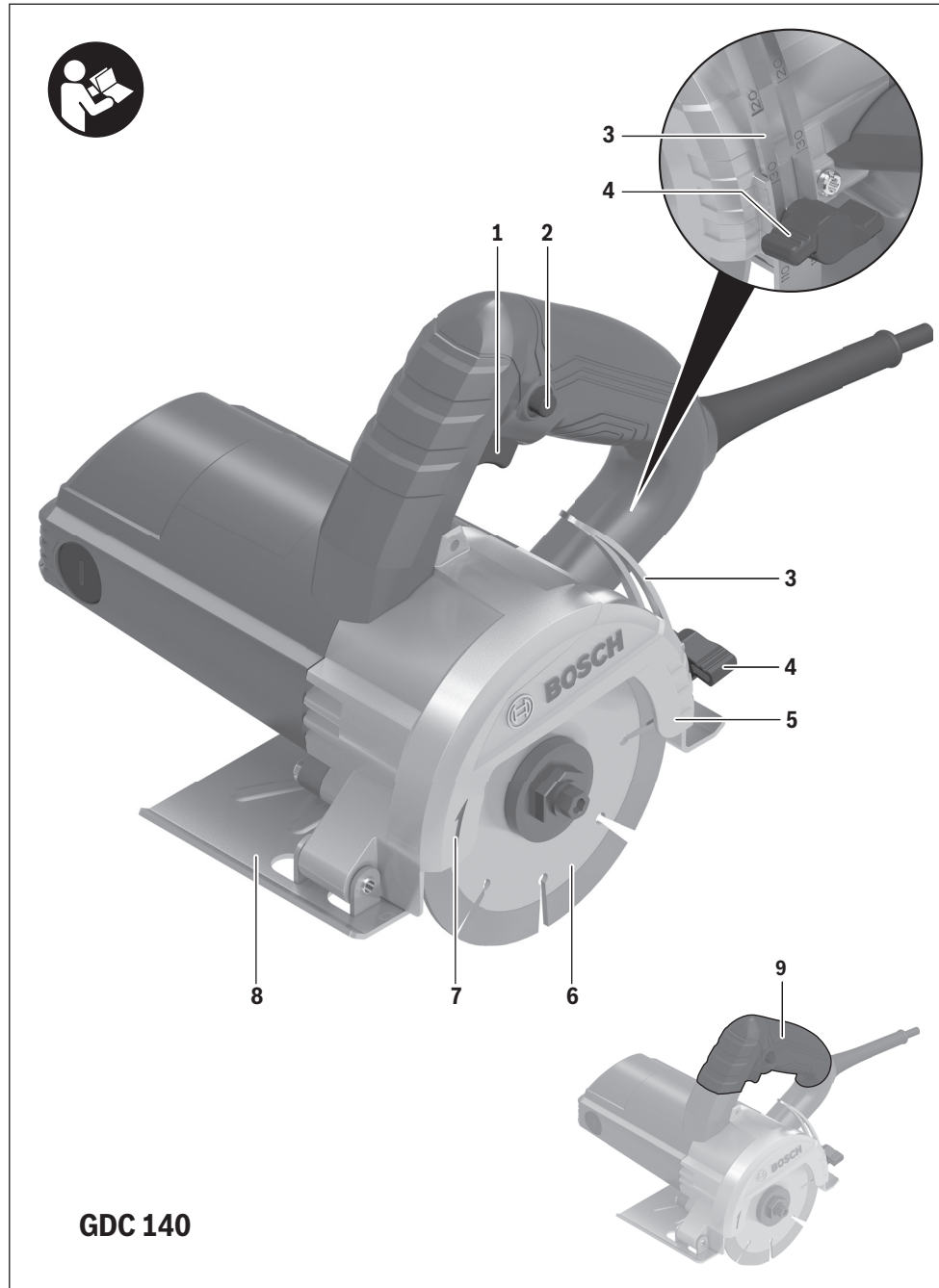
th หนังสือคู่มือการใช้งานฉบับต้นแบบ
id Petunjuk-Petunjuk untuk Penggunaan Orisinal
vi Bản gốc hướng dẫn sử dụng
ar تعليمات التشغيل الأصلية
fa دفترچه راهنمای اصلی



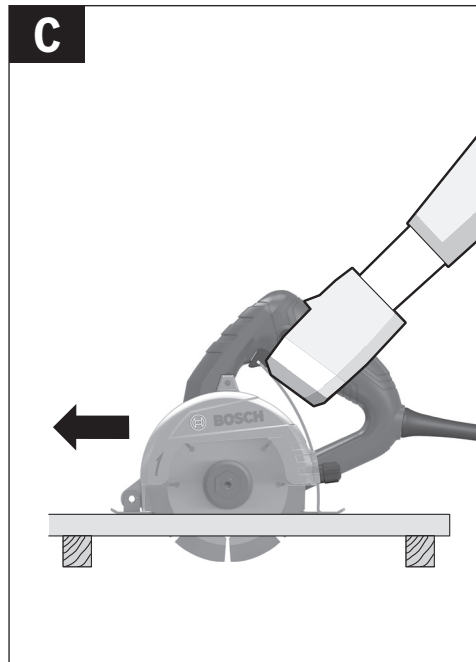
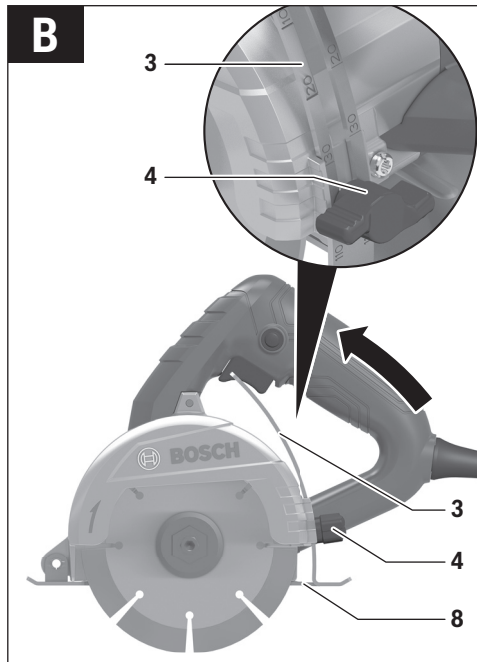
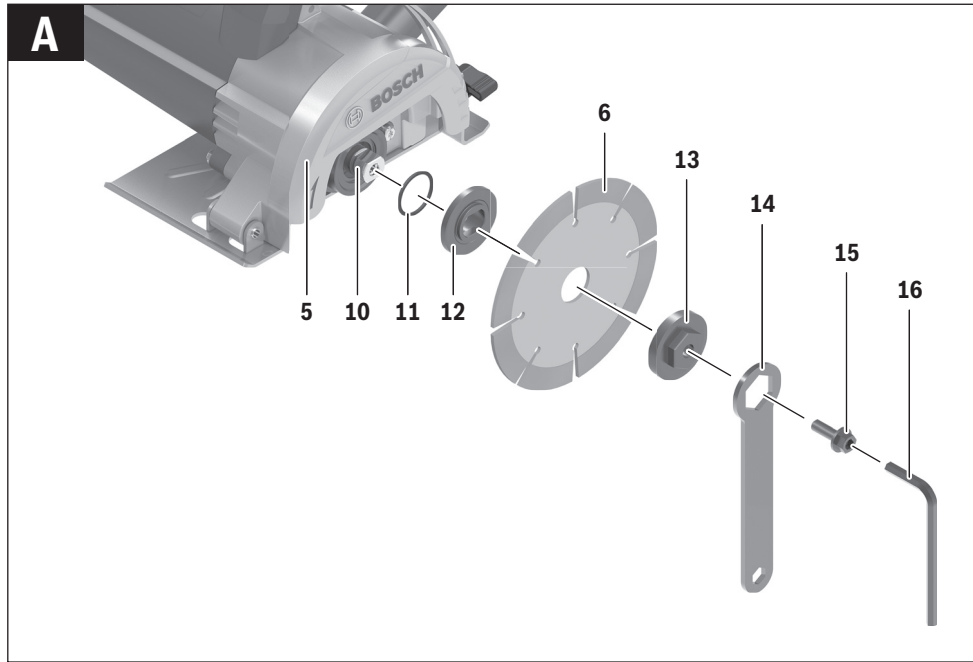


English	Page	5
Français	Page	12
Português	Página	18
中文	頁	23
中文	頁	28
ภาษาไทย	หน้า	32
Bahasa Indonesia	Halaman	37
Tiếng Việt	Trang	43
عربي	صفحة	55
فارسی	صفحه	61





4 |



English

Safety Notes

General Power Tool Safety Warnings

⚠ WARNING Read all safety warnings and all instructions. Failure to follow the warnings and instructions may result in electric shock, fire and/or serious injury.

Save all warnings and instructions for future reference. The term "power tool" in the warnings refers to your mains-operated (corded) power tool or battery-operated (cordless) power tool.

Work area safety

- ▶ **Keep work area clean and well lit.** Cluttered or dark areas invite accidents.
- ▶ **Do not operate power tools in explosive atmospheres, such as in the presence of flammable liquids, gases or dust.** Power tools create sparks which may ignite the dust or fumes.
- ▶ **Keep children and bystanders away while operating a power tool.** Distractions can cause you to lose control.

Electrical safety

- ▶ **Power tool plugs must match the outlet. Never modify the plug in any way. Do not use any adapter plugs with earthed (grounded) power tools.** Unmodified plugs and matching outlets will reduce risk of electric shock.
- ▶ **Avoid body contact with earthed or grounded surfaces, such as pipes, radiators, ranges and refrigerators.** There is an increased risk of electric shock if your body is earthed or grounded.
- ▶ **Do not expose power tools to rain or wet conditions.** Water entering a power tool will increase the risk of electric shock.
- ▶ **Do not abuse the cord. Never use the cord for carrying, pulling or unplugging the power tool. Keep cord away from heat, oil, sharp edges and moving parts.** Damaged or entangled cords increase the risk of electric shock.
- ▶ **When operating a power tool outdoors, use an extension cord suitable for outdoor use.** Use of a cord suitable for outdoor use reduces the risk of electric shock.
- ▶ **If operating a power tool in a damp location is unavoidable, use a residual current device (RCD) protected supply.** Use of an RCD reduces the risk of electric shock.

Personal safety

- ▶ **Stay alert, watch what you are doing and use common sense when operating a power tool. Do not use a power tool while you are tired or under the influence of drugs, alcohol or medication.** A moment of inattention while operating power tools may result in serious personal injury.
- ▶ **Use personal protective equipment. Always wear eye protection.** Protective equipment such as dust mask, non-skid safety shoes, hard hat, or hearing protection

used for appropriate conditions will reduce personal injuries.

- ▶ **Prevent unintentional starting. Ensure the switch is in the off-position before connecting to power source and/or battery pack, picking up or carrying the tool.** Carrying power tools with your finger on the switch or energising power tools that have the switch on invites accidents.
- ▶ **Remove any adjusting key or wrench before turning the power tool on.** A wrench or a key left attached to a rotating part of the power tool may result in personal injury.
- ▶ **Do not overreach. Keep proper footing and balance at all times.** This enables better control of the power tool in unexpected situations.
- ▶ **Dress properly. Do not wear loose clothing or jewellery. Keep your hair, clothing and gloves away from moving parts.** Loose clothes, jewellery or long hair can be caught in moving parts.
- ▶ **If devices are provided for the connection of dust extraction and collection facilities, ensure these are connected and properly used.** Use of dust collection can reduce dust-related hazards.

Power tool use and care

- ▶ **Do not force the power tool. Use the correct power tool for your application.** The correct power tool will do the job better and safer at the rate for which it was designed.
- ▶ **Do not use the power tool if the switch does not turn it on and off.** Any power tool that cannot be controlled with the switch is dangerous and must be repaired.
- ▶ **Disconnect the plug from the power source and/or the battery pack from the power tool before making any adjustments, changing accessories, or storing power tools.** Such preventive safety measures reduce the risk of starting the power tool accidentally.
- ▶ **Store idle power tools out of the reach of children and do not allow persons unfamiliar with the power tool or these instructions to operate the power tool.** Power tools are dangerous in the hands of untrained users.
- ▶ **Maintain power tools. Check for misalignment or binding of moving parts, breakage of parts and any other condition that may affect the power tool's operation. If damaged, have the power tool repaired before use.** Many accidents are caused by poorly maintained power tools.
- ▶ **Keep cutting tools sharp and clean.** Properly maintained cutting tools with sharp cutting edges are less likely to bind and are easier to control.
- ▶ **Use the power tool, accessories and tool bits etc. in accordance with these instructions, taking into account the working conditions and the work to be performed.** Use of the power tool for operations different from those intended could result in a hazardous situation.

Service

- ▶ **Have your power tool serviced by a qualified repair person using only identical replacement parts.** This will ensure that the safety of the power tool is maintained.

6 | English

Cut-off machine safety warnings

- ▶ **The guard provided with the tool must be securely attached to the power tool and positioned for maximum safety, so the least amount of wheel is exposed towards the operator. Position yourself and bystanders away from the plane of the rotating wheel.** The guard helps to protect operator from broken wheel fragments and accidental contact with wheel.
- ▶ **Use only diamond cut-off wheels for your power tool.** Just because an accessory can be attached to your power tool, it does not assure safe operation.
- ▶ **The rated speed of the accessory must be at least equal to the maximum speed marked on the power tool.** Accessories running faster than their rated speed can break and fly apart.
- ▶ **Wheels must be used only for recommended applications. For example: do not grind with the side of cut-off wheel.** Abrasive cut-off wheels are intended for peripheral grinding, side forces applied to these wheels may cause them to shatter.
- ▶ **Always use undamaged wheel flanges that are of correct diameter for your selected wheel.** Proper wheel flanges support the wheel thus reducing the possibility of wheel breakage.
- ▶ **The outside diameter and the thickness of your accessory must be within the capacity rating of your power tool.** Incorrectly sized accessories cannot be adequately guarded or controlled.
- ▶ **The arbour size of wheels and flanges must properly fit the spindle of the power tool.** Wheels and flanges with arbour holes that do not match the mounting hardware of the power tool will run out of balance, vibrate excessively and may cause loss of control.
- ▶ **Do not use damaged wheels. Before each use, inspect the wheels for chips and cracks. If power tool or wheel is dropped, inspect for damage or install an undamaged wheel. After inspecting and installing the wheel, position yourself and bystanders away from the plane of the rotating wheel and run the power tool at maximum no load speed for one minute.** Damaged wheels will normally break apart during this test time.
- ▶ **Wear personal protective equipment. Depending on application, use face shield, safety goggles or safety glasses. As appropriate, wear dust mask, hearing protectors, gloves and workshop apron capable of stopping small abrasive or workpiece fragments.** The eye protection must be capable of stopping flying debris generated by various operations. The dust mask or respirator must be capable of filtrating particles generated by your operation. Prolonged exposure to high intensity noise may cause hearing loss.
- ▶ **Keep bystanders a safe distance away from work area. Anyone entering the work area must wear personal protective equipment.** Fragments of workpiece or of a broken accessory may fly away and cause injury beyond immediate area of operation.
- ▶ **Hold the power tool by insulated gripping surfaces only, when performing an operation where the cutting accessory may contact hidden wiring or its own cord.** Cutting accessory contacting a "live" wire may make exposed metal parts of the power tool "live" and could give the operator an electric shock.
- ▶ **Position the cord clear of the spinning accessory.** If you lose control, the cord may be cut or snagged and your hand or arm may be pulled into the spinning wheel.
- ▶ **Never lay the power tool down until the accessory has come to a complete stop.** The spinning wheel may grab the surface and pull the power tool out of your control.
- ▶ **Do not run the power tool while carrying it at your side.** Accidental contact with the spinning accessory could snag your clothing, pulling the accessory into your body.
- ▶ **Regularly clean the power tool's air vents.** The motor's fan will draw the dust inside the housing and excessive accumulation of powdered metal may cause electrical hazards.
- ▶ **Do not operate the power tool near flammable materials.** Sparks could ignite these materials.
- ▶ **Do not use accessories that require liquid coolants.** Using water or other liquid coolants may result in electrocution or shock.

Kickback and related warnings

- ▶ Kickback is a sudden reaction to a pinched or snagged rotating wheel. Pinching or snagging causes rapid stalling of the rotating wheel which in turn causes the uncontrolled power tool to be forced in the direction opposite of the wheel's rotation at the point of the binding. For example, if an abrasive wheel is snagged or pinched by the workpiece, the edge of the wheel that is entering into the pinch point can dig into the surface of the material causing the wheel to climb out or kick out. The wheel may either jump toward or away from the operator, depending on direction of the wheel's movement at the point of pinching. Abrasive wheels may also break under these conditions. Kickback is the result of power tool misuse and/or incorrect operating procedures or conditions and can be avoided by taking proper precautions as given below.
- ▶ **Maintain a firm grip on the power tool and position your body and arm to allow you to resist kickback forces. Always use auxiliary handle, if provided, for maximum control over kickback or torque reaction during start-up.** The operator can control torque reactions or kickback forces, if proper precautions are taken.
- ▶ **Never place your hand near the rotating accessory.** Accessory may kickback over your hand.
- ▶ **Do not position your body in line with the rotating wheel.** Kickback will propel the tool in direction opposite to the wheel's movement at the point of snagging.
- ▶ **Use special care when working corners, sharp edges, etc. Avoid bouncing and snagging the accessory.** Corners, sharp edges or bouncing have a tendency to snag the rotating accessory and cause loss of control or kickback.

- ▶ **Do not attach a saw chain, woodcarving blade, segmented diamond wheel with a peripheral gap greater than 10 mm or toothed saw blade.** Such blades create frequent kickback and loss of control.
- ▶ **Do not “jam” the wheel or apply excessive pressure. Do not attempt to make an excessive depth of cut.** Over-stressing the wheel increases the loading and susceptibility to twisting or binding of the wheel in the cut and the possibility of kickback or wheel breakage.
- ▶ **When wheel is binding or when interrupting a cut for any reason, switch off the power tool and hold the power tool motionless until the wheel comes to a complete stop. Never attempt to remove the wheel from the cut while the wheel is in motion otherwise kickback may occur.** Investigate and take corrective action to eliminate the cause of wheel binding.
- ▶ **Do not restart the cutting operation in the workpiece. Let the wheel reach full speed and carefully re-enter the cut.** The wheel may bind, walk up or kickback if the power tool is restarted in the workpiece.
- ▶ **Support panels or any oversized workpiece to minimize the risk of wheel pinching and kickback.** Large workpieces tend to sag under their own weight. Supports must be placed under the workpiece near the line of cut and near the edge of the workpiece on both sides of the wheel.
- ▶ **Use extra caution when making a “pocket cut” into existing walls or other blind areas.** The protruding wheel may cut gas or water pipes, electrical wiring or objects that can cause kickback.

Additional safety warnings



Wear safety goggles.



Wear a dust respirator.

- ▶ **Use clamps or another practical way to secure and support the workpiece to a stable platform.** Holding the work by your hand or against the body leaves it unstable and may lead to loss of control.
- ▶ **Wear hearing protection, safety goggles, dust mask and gloves. As dust mask, use at least a particle filtering half mask of filter class FFP 2.**
- ▶ **Use suitable detectors to determine if utility lines are hidden in the work area or call the local utility company for assistance.** Contact with electric lines can lead to fire and electric shock. Damaging a gas line can lead to explosion. Penetrating a water line causes property damage or may cause an electric shock.
- ▶ **Do not touch the cutting disc after working before it has cooled.** The cutting disc becomes very hot while working.

- ▶ **When working with the machine, always hold it firmly with both hands and provide a secure stance.** The power tool is guided more secure with both hands.

Products sold in GB only: Your product is fitted with a BS 1363/A approved electric plug with internal fuse (ASTA approved to BS 1362).

If the plug is not suitable for your socket outlets, it should be cut off and an appropriate plug fitted in its place by an authorised customer service agent. The replacement plug should have the same fuse rating as the original plug.

The severed plug must be disposed of to avoid a possible shock hazard and should never be inserted into a mains socket elsewhere.

Product Description and Specifications



Read all safety warnings and all instructions. Failure to follow the warnings and instructions may result in electric shock, fire and/or serious injury.

Intended Use

With firm support of the base plate and using the blade guard, the machine is intended for horizontal cutting or slotting of mainly mineral materials such as marble without the use of water. The machine is not intended for cutting in wood, plastic or metal.

Product Features

The numbering of the product features refers to the illustration of the machine on the graphics page.

- 1 On/Off switch
- 2 Lock-on button for On/Off switch
- 3 Cutting-depth scale
- 4 Wing bolt for cutting depth preselection
- 5 Blade guard
- 6 Diamond cutting disc*
- 7 Direction-of-rotation arrow for grinding spindle
- 8 Base plate
- 9 Handle (insulated gripping surface)
- 10 Drive spindle
- 11 O-ring
- 12 Mounting flange
- 13 Clamping flange
- 14 Ring spanner
- 15 Clamping bolt
- 16 Hex key

*Accessories shown or described are not part of the standard delivery scope of the product. A complete overview of accessories can be found in our accessories program.

8 | English

Technical Data

Masonry Saw		GDC 140
Article number		0 601 3A0 0..
Rated power input	W	1400
No-load speed	min ⁻¹	13200
Max. diameter for diamond cutting discs	mm	110/115
Cutting discs width, min.	mm	1.6
Cutting discs width, max.	mm	2.2
Mounting bore	mm	20
Cutting depth, max.	mm	32.5/35
Weight according to EPTA-Procedure 01:2014	kg	2.9
Protection class		□/II

The values given are valid for a nominal voltage [U] of 230 V. For different voltages and models for specific countries, these values can vary.

Assembly

- ▶ **Before any work on the machine itself, pull the mains plug.**

Dust Extraction

- ▶ Dust from materials such as lead-containing coatings, some wood types, minerals and metal can be harmful to one's health. Touching or breathing-in the dust can cause allergic reactions and/or lead to respiratory infections of the user or bystanders. Certain dust, such as oak or beech dust, is considered carcinogenic, especially in connection with wood-treatment additives (chromate, wood preservative). Materials containing asbestos may only be worked by specialists.
 - Provide for good ventilation of the working place.
 - It is recommended to wear a P2 filter-class respirator.

- ▶ **Prevent dust accumulation at the workplace.** Dust can easily ignite.

Mounting/Replacing the Diamond Cutting Disc (see figure A)

- ▶ **When mounting and replacing diamond cutting discs, it is recommended to wear protective gloves.**
- ▶ **Diamond cutting discs become very hot during operation; do not touch them until they have cooled down.**
- ▶ **Always use a correctly sized diamond cutting disc with the fitting mounting hole that corresponds with the information listed in the technical data.**
- ▶ **Use only diamond-tipped cutting discs. Segmented diamond wheels may only have negative cutting angles and slots between the segments to a maximum of 10 mm.**

Mounting the Diamond Cutting Disc

- Clean the diamond cutting disc **6** and all clamping parts to be mounted.

- Fit the mounting flange **12** with the O-ring **11** to the drive spindle **10**.
- Place the diamond cutting disc **6** onto the mounting flange **12**. The direction arrow on the diamond cutting disc **6** and the direction-of-rotation arrow on the blade guard **5** must correspond.
- Mount the clamping flange **13** and screw in the clamping bolt **15**.
- Hold the clamping flange **13** with the ring spanner **14** and tighten the clamping bolt **15** with the hex key **16**.

Removal of the Diamond Cutting Disc

- Hold the clamping flange **13** with the ring spanner **14** and loosen the clamping bolt **15** with the hex key **16**.
- Remove the clamping flange **13** and diamond cutting disc **6** from the drive spindle **10**.

Operation

Operating Modes

- ▶ **Before any work on the machine itself, pull the mains plug.**

Pre-selecting the Cutting Depth (see figure B)

- ▶ **The cutting depth may only be pre-selected when the machine is switched off.**

Adapt the cutting depth to the thickness of the workpiece. For optimum results, the diamond cutting disc must protrude approx. 2 mm out of the material.

- Loosen wing bolt **4**. For a smaller cutting depth, pull the machine from the base plate **8**; for a larger cutting depth, push the machine toward the base plate **8**. Adjust the desired cutting depth at the cutting-depth scale **3**. Tighten wing bolt **4** again.

Starting Operation

- ▶ **Observe correct mains voltage! The voltage of the power source must agree with the voltage specified on the nameplate of the machine. Power tools marked with 230 V can also be operated with 220 V.**

Products sold in AUS and NZ only: Use a residual current device (RCD) with a rated residual current of 30 mA or less.

Switching On and Off

To save energy, only switch the power tool on when using it.

- To **start** the machine, press the On/Off switch **1** and keep it pressed.
- To **lock** the pressed On/Off switch **1**, press the lock-on button **2**.
- To **switch off** the machine, release the On/Off switch **1** or when it is locked with the lock-on button **2**, briefly press the On/Off switch **1** and then release it.

- ▶ **Check the diamond cutting discs before use. The diamond cutting disc(s) must be mounted properly and be able to rotate freely. Carry out a test run for at least one minute without any load. Do not use diamond cutting discs that are damaged, out-of-balance, or vibrate.**

Damaged diamond cutting discs can rupture and lead to injuries.

Working Advice

- ▶ **Exercise caution when cutting slots in structural walls; see Section "Information on Structures".**
- ▶ **Do not strain the machine so heavily that it comes to a standstill.**
- ▶ **After heavily straining the power tool, continue to run it at no-load for several minutes to cool down the accessory.**
- ▶ **For cutting-depths greater than 20 mm in hard materials, e. g., concrete, apply several worksteps so that the motor is not overloaded.**
- ▶ **Clamp the workpiece if it does not remain stationary due to its own weight.**
- ▶ **The machine may only be used for dry cutting.**
- ▶ **Diamond cutting discs become very hot during operation; do not touch them until they have cooled down.**

Protect the cutting disc against impact, shock and grease. Do not subject the cutting disc to lateral pressure.

Do not brake coasting diamond cutting discs by applying side-ward pressure.

For cutting especially hard material, e. g., concrete with high pebble content, the diamond cutting disc can overheat and become damaged as a result. This is clearly indicated by circular sparking, rotating with the diamond cutting disc.

In this case, interrupt the cutting process and allow the diamond cutting disc to cool by running the machine for a short time at maximum speed with no load.

Noticeably decreasing work progress and circular sparking are indications of a diamond cutting disc that has become dull. Briefly cutting into abrasive material (e. g. lime-sand brick) can resharpen the disc again.

Direction of Cut (see figure C)

The machine must always work in an up-grinding motion. Otherwise, the danger exists of it being pushed **uncontrolled** out of the cut.

Information on Structures

Slots in structural walls are subject to the Standard DIN 1053 Part 1, or country-specific regulations.

These regulations are to be observed under all circumstances. Before beginning work, consult the responsible structural engineer, architect or the construction supervisor.

Maintenance and Service

Maintenance and Cleaning

- ▶ **Before any work on the machine itself, pull the mains plug.**
- ▶ **For safe and proper working, always keep the machine and ventilation slots clean.**

If the replacement of the supply cord is necessary, this has to be done by Bosch or an authorized Bosch service agent in order to avoid a safety hazard.

Please store and handle the accessory(-ies) carefully.

After-sales Service and Application Service

Our after-sales service responds to your questions concerning maintenance and repair of your product as well as spare parts. Exploded views and information on spare parts can also be found under:

www.bosch-pt.com

Bosch's application service team will gladly answer questions concerning our products and their accessories.

In all correspondence and spare parts orders, please always include the 10-digit article number given on the nameplate of the product.

Cambodia

Robert Bosch (Cambodia) Co., Ltd
Unit 8BC, GT Tower, 08th Floor, Street 169,
Czechoslovakia Blvd, Sangkat Veal Vong
Khan 7 Makara, Phnom Penh
VAT TIN: 100 169 511
Tel.: +855 23 900 685
Tel.: +855 23 900 660
www.bosch.com.kh

People's Republic of China

China Mainland

Bosch Power Tools (China) Co., Ltd.
567, Bin Kang Road
Bin Jiang District 310052
Hangzhou, P. R. China
Tel.: 4008268484
Fax: (0571) 87774502
E-Mail: contact.ptcn@cn.bosch.com
www.bosch-pt.com.cn

HK and Macau Special Administrative Regions

Robert Bosch Co. Ltd.
21st Floor, 625 King's Road
North Point, Hong Kong
Customer Service Hotline: +852 2101 0235
Fax: +852 2590 9762
E-Mail: info@hk.bosch.com
www.bosch-pt.com.hk

India

Bosch Service Center
69, Habibullah Road, (Next to PSBB School), T. Nagar
Chennai – 600077
Phone: (044) 64561816

Bosch Service Center Rishyamook
85A, Panchkuin Road
New Delhi – 110001
Phone: (011) 43166190

Bosch Service Center
79, Crystal Bldg., Dr. Annie Besant Road, Worli
Mumbai – 400018
Phone: (022) 39569936 / (022) 39569959 /
(022) 39569967 / (022) 24952071

10 | English**Indonesia**

PT Robert Bosch
 Palma Tower 10th Floor
 Jalan RA Kartini II-S Kaveling 6
 Pondok Pinang, Kebayoran Lama
 Jakarta Selatan 12310
 Tel.: (21) 3005-5800
 www.bosch-pt.co.id

Malaysia

Robert Bosch Sdn. Bhd. (220975-V) PT/SMY
 No. 8A, Jalan 13/6
 46200 Petaling Jaya
 Selangor
 Tel.: (03) 79663194
 Toll-Free: 1800 880188
 Fax: (03) 79583838
 E-Mail: kiathoe.chong@my.bosch.com
 www.bosch-pt.com.my

Pakistan

Robert Bosch Middle East FZE – Pakistan Liaison Office
 2nd Floor Plaza # 10, CCA Block, DHA Phase 5
 Lahore, 54810
 Phone: +92(303)4444311
 Email: Faisal.Khan@bosch.com

Philippines

Robert Bosch, Inc.
 28th Floor Fort Legend Towers,
 3rd Avenue corner 31st Street,
 Fort Bonifacio, Global City,
 1634 Taguig City
 Tel.: (632) 8703871
 Fax: (632) 8703870
 www.bosch-pt.com.ph

Singapore

Powerwell Service Centre Ptd Ltd
 Bosch Authorised Service Centre (Power Tools)
 4012 Ang Mo Kio Ave 10, #01-02 TECHplace
 Singapore 569628
 Tel.: 6452 1770
 Fax: 6452 1760
 E-Mail: ask@powerwellsc.com
 www.powerwellsc.com
 www.bosch-pt.com.sg

Thailand

Robert Bosch Ltd.
 Liberty Square Building
 No. 287, 11 Floor
 Silom Road, Bangrak
 Bangkok 10500
 Tel.: 02 6393111
 Fax: 02 2384783
 Robert Bosch Ltd., P. O. Box 2054
 Bangkok 10501
 www.bosch.co.th

Bosch Service – Training Centre
 La Salle Tower Ground Floor Unit No.2
 10/11 La Salle Moo 16
 Srinakharin Road
 Bangkaew, Bang Plee
 Samutprakarn 10540
 Tel.: 02 7587555
 Fax: 02 7587525

Vietnam

Branch of Bosch Vietnam Co., Ltd in HCMC
 Floor 10, 194 Golden Building
 473 Dien Bien Phu Street
 Ward 25, Binh Thanh District, Ho Chi Minh City
 Tel.: (08) 6258 3690
 Fax: (08) 6258 3692
 Hotline: (08) 6250 8555
 www.bosch-pt.com.vn

Armenia, Azerbaijan, Georgia, Kyrgyzstan, Mongolia, Tajikistan, Turkmenistan, Uzbekistan

TOO "Robert Bosch" Power Tools, After Sales Service
 Rayimbek Ave., 169/1
 050050, Almaty, Kazakhstan
 Service Email: service.pt.ka@bosch.com
 Official Website: www.bosch.com, www.bosch-pt.com

Bahrain

Hatem Al Juffali Technical Equipment Establishment.
 Kingdom of Bahrain, Setra Highway, Al Aker Area
 Phone: +966126971777-311
 Fax: +97317704257
 Email: h.berjas@ejb.com.sa

Egypt

Unimar
 20 Markaz kadmat
 El tagmoa EL Aoul – New Cairo
 Phone: + 20 2224 76091-95
 Phone: + 20 2224 78072-73
 Fax: + 20 2224 78075
 Email: adelzaki@unimaregypt.com

Iran

Robert Bosch Iran
 3rd Floor, No 3, Maadiran Building
 Aftab St., Khodami St., Vanak Sq.
 Tehran 1994834571
 Phone: +9821- 86092057

Iraq

Sahba Technology Group
 Al Muthana airport road
 Baghdad
 Phone: +9647901906953
 Phone Dubai: +97143973851
 Email: bosch@sahbatechnology.com

Jordan

Roots Arabia – Jordan
Nasser Bin Jameel street, Building 37 Al Rabiah
11194 Amman
Phone: +962 6 5545778
Email: bosch@rootsjordan.com

Kuwait

Al Qurain Automotive Trading Company
Shuwaikh Industrial Area, Block 1, Plot 16, Street 3rd
P.O. Box 164 – Safat 13002
Phone: 24810844
Fax: 24810879
E-mail: josephkr@aaalmutawa.com

Lebanon

Tehini Hana & Co. S.A.R.L.
P.O. Box 90-449
Jdeideh
Dora-Beirut
Phone: +9611255211
Email: service-pt@tehini-hana.com

Libya

El Naser for Workshop Tools
Swanee Road, Alfalah Area
Tripoli
Phone: +218 21 4811184

Oman

Malatan Trading & Contracting LLC
P.O. Box 131
Ruwi, 112 Sultanate of Oman
Phone: +968 99886794
Email: malatanpowertools@malatan.net

Qatar

International Construction Solutions W L L
P. O. Box 51, Doha
Phone: +974 40065458
Fax: +974 4453 8585
Email: csd@icsdoha.com

Saudi Arabia

Juffali Technical Equipment Co. (JTECO)
Kilo 14, Madinah Road, Al Bawadi District
Jeddah 21431
Phone: +966 2 6672222 Ext. 1528
Fax: +966 2 6676308
Email: roland@ejb.com.sa

Syria

Dallal Establishment for Power Tools
P.O. Box 1030
Aleppo
Phone: +963212116083
Email: rita.dallal@hotmail.com

United Arab Emirates

Central Motors & Equipment LLC, P.O. Box 1984
Al-Wahda Street – Old Sana Building
Sharjah
Phone: +971 6 593 2777
Fax: +971 6 533 2269
Email: powertools@centralmotors.ae

Yemen

Abualrejal Trading Corporation
Sana'a Zubieri St. Front to new Parliament Building
Phone: +967-1-202010
Fax: +967-1-279029
Email: tech-tools@abualrejal.com

Ethiopia

Forever plc
Kebele 2,754, BP 4806,
Addis Ababa
Phone: +251 111 560 600
Email: foreverplc@ethionet.et

Ghana

C.WOERMANN LTD.
Nsawam Road/Avenor Junction, P.O. Box 1779
Accra
Phone: +233 302 225 141

Kenya

Robert Bosch East Africa Ltd
Mpaka Road P.O. Box 856
00606 Nairobi

Nigeria

Robert Bosch Nigeria Ltd.
52 – 54 Isaac John Street P.O. Box
GRA Ikeja – Lagos

Republic of South Africa

Customer service
Hotline: (011) 6519600

Gauteng – BSC Service Centre

35 Roper Street, New Centre
Johannesburg
Tel.: (011) 4939375
Fax: (011) 4930126
E-Mail: bsctools@icon.co.za

KZN – BSC Service Centre

Unit E, Almar Centre
143 Crompton Street
Pinetown
Tel.: (031) 7012120
Fax: (031) 7012446
E-Mail: bsc.dur@za.bosch.com

Western Cape – BSC Service Centre

Democracy Way, Prosperity Park
Milnerton
Tel.: (021) 5512577
Fax: (021) 5513223
E-Mail: bsc@zsd.co.za

12 | Français

Bosch Headquarters

Midrand, Gauteng
Tel.: (011) 6519600
Fax: (011) 6519880
E-Mail: rbsa-hq.pts@za.bosch.com

Tanzania

Diesel & Autoelectric Service Ltd.
117 Nyerere Rd., P.O. Box 70839
Vingunguti 12109, Dar Es Salaam
Phone: +255 222 861 793/794

Australia, New Zealand and Pacific Islands

Robert Bosch Australia Pty. Ltd.
Power Tools
Locked Bag 66
Clayton South VIC 3169
Customer Contact Center
Inside Australia:
Phone: (01300) 307044
Fax: (01300) 307045
Inside New Zealand:
Phone: (0800) 543353
Fax: (0800) 428570
Outside AU and NZ:
Phone: +61 3 95415555
www.bosch-pt.com.au
www.bosch-pt.co.nz

Disposal

The machine, accessories and packaging should be sorted for environmental-friendly recycling.



Do not dispose of power tools into household waste!

Subject to change without notice.

Français

Avertissements de sécurité

Avertissements de sécurité généraux pour l'outil

⚠ AVERTISSEMENT Lire tous les avertissements de sécurité et toutes les instructions. Ne pas suivre les avertissements et instructions peut donner lieu à un choc électrique, un incendie et/ou une blessure sérieuse.

Conserver tous les avertissements et toutes les instructions pour pouvoir s'y reporter ultérieurement.

Le terme « outil » dans les avertissements fait référence à votre outil électrique alimenté par le secteur (avec cordon d'alimentation) ou votre outil fonctionnant sur batterie (sans cordon d'alimentation).

Sécurité de la zone de travail

- ▶ **Conserver la zone de travail propre et bien éclairée.** Les zones en désordre ou sombres sont propices aux accidents.
- ▶ **Ne pas faire fonctionner les outils électriques en atmosphère explosive, par exemple en présence de liquides inflammables, de gaz ou de poussières.** Les outils électriques produisent des étincelles qui peuvent enflammer les poussières ou les fumées.
- ▶ **Maintenir les enfants et les personnes présentes à l'écart pendant l'utilisation de l'outil.** Les distractions peuvent vous faire perdre le contrôle de l'outil.

Sécurité électrique

- ▶ **Il faut que les fiches de l'outil électrique soient adaptées au socle. Ne jamais modifier la fiche de quelque façon que ce soit. Ne pas utiliser d'adaptateurs avec des outils à branchement de terre.** Des fiches non modifiées et des socles adaptés réduiront le risque de choc électrique.
- ▶ **Eviter tout contact du corps avec des surfaces reliées à la terre telles que les tuyaux, les radiateurs, les cuisinières et les réfrigérateurs.** Il existe un risque accru de choc électrique si votre corps est relié à la terre.
- ▶ **Ne pas exposer les outils à la pluie ou à des conditions humides.** La pénétration d'eau à l'intérieur d'un outil augmentera le risque de choc électrique.
- ▶ **Ne pas maltraiter le cordon. Ne jamais utiliser le cordon pour porter, tirer ou débrancher l'outil. Maintenir le cordon à l'écart de la chaleur, du lubrifiant, des arêtes ou des parties en mouvement.** Les cordons endommagés ou emmêlés augmentent le risque de choc électrique.
- ▶ **Lorsqu'on utilise un outil à l'extérieur, utiliser un prolongateur adapté à l'utilisation extérieure.** L'utilisation d'un cordon adapté à l'utilisation extérieure réduit le risque de choc électrique.
- ▶ **Si l'usage d'un outil dans un emplacement humide est inévitable, utiliser une alimentation protégée par un dispositif à courant différentiel résiduel (RCD).** L'usage d'un RCD réduit le risque de choc électrique.

Sécurité des personnes

- ▶ **Rester vigilant, regarder ce que vous êtes en train de faire et faire preuve de bon sens dans l'utilisation de l'outil. Ne pas utiliser un outil lorsque vous êtes fatigué ou sous l'emprise de drogues, d'alcool ou de médicaments.** Un moment d'inattention en cours d'utilisation d'un outil peut entraîner des blessures graves des personnes.
- ▶ **Utiliser un équipement de sécurité. Toujours porter une protection pour les yeux.** Les équipements de sécurité tels que les masques contre les poussières, les chaussures de sécurité antidérapantes, les casques ou les protections acoustiques utilisés pour les conditions appropriées réduiront les blessures des personnes.
- ▶ **Eviter tout démarrage intempestif. S'assurer que l'interrupteur est en position arrêt avant de brancher l'outil au secteur et/ou au bloc de batteries, de le ramasser**

ou de le porter. Porter les outils en ayant le doigt sur l'interrupteur ou brancher des outils dont l'interrupteur est en position marche est source d'accidents.

- ▶ **Retirer toute clé de réglage avant de mettre l'outil en marche.** Une clé laissée fixée sur une partie tournante de l'outil peut donner lieu à des blessures de personnes.
- ▶ **Ne pas se précipiter. Garder une position et un équilibre adaptés à tout moment.** Cela permet un meilleur contrôle de l'outil dans des situations inattendues.
- ▶ **S'habiller de manière adaptée. Ne pas porter de vêtements amples ou de bijoux. Garder les cheveux, les vêtements et les gants à distance des parties en mouvement.** Des vêtements amples, des bijoux ou les cheveux longs peuvent être pris dans des parties en mouvement.
- ▶ **Si des dispositifs sont fournis pour le raccordement d'équipements pour l'extraction et la récupération des poussières, s'assurer qu'ils sont connectés et correctement utilisés.** Utiliser des collecteurs de poussière peut réduire les risques dus aux poussières.

Utilisation et entretien de l'outil

- ▶ **Ne pas forcer l'outil. Utiliser l'outil adapté à votre application.** L'outil adapté réalisera mieux le travail et de manière plus sûre au régime pour lequel il a été construit.
- ▶ **Ne pas utiliser l'outil si l'interrupteur ne permet pas de passer de l'état de marche à arrêt et vice versa.** Tout outil qui ne peut pas être commandé par l'interrupteur est dangereux et il faut le faire réparer.
- ▶ **Débrancher la fiche de la source d'alimentation en courant et/ou le bloc de batteries de l'outil avant tout réglage, changement d'accessoires ou avant de ranger l'outil.** De telles mesures de sécurité préventives réduisent le risque de démarrage accidentel de l'outil.
- ▶ **Conserver les outils à l'arrêt hors de la portée des enfants et ne pas permettre à des personnes ne connaissant pas l'outil ou les présentes instructions de le faire fonctionner.** Les outils sont dangereux entre les mains d'utilisateurs novices.
- ▶ **Observer la maintenance de l'outil. Vérifier qu'il n'y a pas de mauvais alignement ou de blocage des parties mobiles, des pièces cassées ou toute autre condition pouvant affecter le fonctionnement de l'outil. En cas de dommages, faire réparer l'outil avant de l'utiliser.** De nombreux accidents sont dus à des outils mal entretenus.
- ▶ **Garder affûtés et propres les outils permettant de couper.** Des outils destinés à couper correctement entretenus avec des pièces coupantes tranchantes sont moins susceptibles de bloquer et sont plus faciles à contrôler.
- ▶ **Utiliser l'outil, les accessoires et les lames etc., conformément à ces instructions, en tenant compte des conditions de travail et du travail à réaliser.** L'utilisation de l'outil pour des opérations différentes de celles prévues pourrait donner lieu à des situations dangereuses.

Maintenance et entretien

- ▶ **Faire entretenir l'outil par un réparateur qualifié utilisant uniquement des pièces de rechange identiques.** Cela assurera que la sécurité de l'outil est maintenue.

Avertissements de sécurité pour les tronçonneuses à disques

- ▶ **Le carter fourni avec l'outil doit être solidement fixé sur l'outil électrique et positionné pour assurer une sécurité maximale, la partie de la meule exposée à l'opérateur étant la plus faible possible. Se placer soi-même et faire placer les personnes présentes hors du plan de la meule rotative.** Le carter aide à protéger l'opérateur des fragments cassés de meule et d'un contact accidentel avec la meule.
- ▶ **Utiliser uniquement des meules pour tronçonnage diamantées avec votre outil électrique.** Le fait qu'un accessoire puisse être fixé sur votre outil électrique ne suffit pas à assurer un fonctionnement en toute sécurité.
- ▶ **La vitesse assignée de l'accessoire doit être au moins égale à la vitesse maximale indiquée sur l'outil électrique.** Les accessoires fonctionnant plus vite que leur vitesse assignée peuvent se rompre et voler en éclat.
- ▶ **Les meules ne doivent être utilisées que pour les applications recommandées. Par exemple: ne pas meuler avec la tranche de la meule.** Les meules de tronçonnage abrasives sont prévues pour un meulage périphérique, les forces transversales appliquées à ces meules peuvent les briser.
- ▶ **Toujours utiliser des flasques de meules en bon état d'un diamètre adapté à la meule choisie.** Les flasques adaptés supportent les meules et réduisent ainsi le risque de rupture de celles-ci.
- ▶ **Le diamètre extérieur et l'épaisseur de votre accessoire doivent se situer dans le cadre des caractéristiques de capacité de votre outil électrique.** Les accessoires dimensionnés de façon incorrecte ne peuvent pas être protégés ou commandés de manière appropriée.
- ▶ **L'alésage des meules et des flasques doit être adapté à l'axe de l'outil électrique.** Les meules et les flasques dont les trous d'alésage ne sont pas adaptés au matériel de montage de l'outil vont se déséquilibrer, vibrer de manière excessive et peuvent être à l'origine d'une perte de contrôle.
- ▶ **Ne pas utiliser de meules endommagées. Avant chaque utilisation, vérifier l'absence de fragments et de fissures sur les meules. En cas de chute de l'outil ou de la meule, vérifier l'absence de dommages ou installer une meule en bon état. Après examen et installation de la meule, se placer soi-même et faire placer les personnes présentes hors du plan de la meule rotative et faire fonctionner l'outil pendant une minute à vide à la vitesse maximale.** Les meules endommagées vont normalement se casser au cours de cette période d'essai.
- ▶ **Porter un équipement de protection individuelle. En fonction de l'application, utiliser un écran facial, des lunettes de sécurité ou des verres de sécurité. Le cas échéant, utiliser un masque antipoussières, des protections auditives, des gants et un tablier capables d'arrêter les petits fragments abrasifs ou des pièces à usiner.** La protection oculaire doit être capable d'arrêter les débris volants produits par les diverses opérations. Le

14 | Français

masque antipoussières ou le respirateur doit être capable de filtrer les particules produites par vos travaux. L'exposition prolongée aux bruits de forte intensité peut provoquer une perte de l'audition.

- ▶ **Maintenir les personnes présentes à une distance de sécurité par rapport à la zone de travail. Toute personne entrant dans la zone de travail doit porter un équipement de protection individuelle.** Des fragments de pièce à usiner ou d'un accessoire cassé peuvent être projetés et provoquer des blessures en dehors de la zone immédiate d'opération.
- ▶ **Tenir l'outil uniquement par les surfaces de préhension isolantes, pendant les opérations au cours desquelles l'accessoire coupant peut être en contact avec des conducteurs cachés ou avec son propre câble.** Le contact de l'accessoire coupant avec un fil « sous tension » peut mettre « sous tension » les parties métalliques exposées de l'outil électrique et provoquer un choc électrique sur l'opérateur.
- ▶ **Positionner le cordon à l'écart de l'accessoire rotatif.** En cas de perte de contrôle, le cordon peut être coupé ou accroché, entraînant votre main ou votre bras dans l'accessoire rotatif.
- ▶ **Ne jamais reposer l'outil électrique avant l'arrêt complet de l'accessoire.** En tournant, la meule peut agripper la surface et rendre l'outil incontrôlable.
- ▶ **Ne pas faire fonctionner l'outil électrique en le portant sur le côté.** Un contact accidentel avec l'accessoire en rotation pourrait accrocher vos vêtements et attirer l'accessoire sur vous.
- ▶ **Nettoyer régulièrement les orifices d'aération de l'outil électrique.** Le ventilateur du moteur attirera la poussière à l'intérieur du boîtier et une accumulation excessive de poudre de métal peut provoquer des dangers électriques.
- ▶ **Ne pas faire fonctionner l'outil électrique à proximité de matériaux inflammables.** Des étincelles pourraient enflammer ces matériaux.
- ▶ **Ne pas utiliser d'accessoires qui nécessitent des réfrigérants fluides.** L'utilisation d'eau ou d'autres réfrigérants fluides peut aboutir à une électrocution ou un choc électrique.

Rebonds et mises en garde correspondantes

- ▶ Le rebond est une réaction soudaine d'une meule en rotation lorsque celle-ci est pincée ou accrochée. Le pincement ou l'accrochage provoque un décrochage rapide de la meule en rotation qui force l'outil électrique qui n'est plus contrôlé dans la direction opposée à celle du sens de rotation de la meule au point du coincement. Par exemple, si une meule abrasive est accrochée ou pincée par l'ouvrage, le bord de la meule qui entre dans le point de pincement peut entrer dans la surface du matériau et amener la meule à sortir de la pièce ou à rebondir. La meule peut s'éjecter en direction de l'opérateur ou au loin en fonction du sens de rotation de la meule au point de pincement. Dans de telles conditions, les meules abrasives peuvent aussi se casser.

Le phénomène de rebond est le résultat d'une utilisation inadéquate de l'outil et/ou de procédures ou de conditions de fonctionnement incorrectes et il peut être évité en prenant les précautions appropriées indiquées ci-dessous.

- ▶ **Maintenir solidement l'outil et positionner le corps et le bras de manière à pouvoir résister aux forces de rebond. Toujours utiliser la poignée auxiliaire, le cas échéant, pour contrôler au maximum les rebonds ou les réactions de couple au moment du démarrage.** L'opérateur est en mesure de contrôler les réactions de couple ou les forces de rebond, si des précautions appropriées ont été prises.
- ▶ **Ne jamais placer votre main à proximité de l'accessoire en rotation.** L'accessoire peut effectuer un rebond sur votre main.
- ▶ **Ne pas positionner le corps dans l'alignement de la meule en rotation.** Un rebond propulsera l'outil dans la direction opposée à celle du mouvement de la meule au point où s'est produit l'accrochage.
- ▶ **Etre particulièrement prudent lors d'opérations sur des coins, des arêtes vives etc. Éviter que l'accessoire ne rebondisse et ne s'accroche.** Les coins, les arêtes vives ou les rebondissements ont tendance à accrocher l'accessoire en rotation et à provoquer une perte de contrôle ou un rebond.
- ▶ **Ne pas monter de chaîne coupante, de lame à ciseler, de meule diamantée segmentée avec un espace périphérique supérieur à 10 mm ou de lame de scie dentée.** De telles lames sont souvent à l'origine de rebonds ou de pertes de contrôle.
- ▶ **Ne pas « bloquer » la meule ou lui appliquer une pression excessive. Ne pas tenter de réaliser une découpe trop profonde.** Une surcharge de la meule augmente la charge et la susceptibilité de torsion ou de blocage de la meule à l'intérieur de la coupe et la possibilité de rebond ou de cassure de la meule.
- ▶ **Lorsque la meule se coince ou si on interrompt la coupe pour une raison quelconque, couper l'alimentation de l'outil et tenir l'outil sans bouger jusqu'à l'arrêt complet de la meule. Ne jamais essayer de sortir la meule de la coupe tant que celle-ci est en mouvement, sinon il peut se produire un phénomène de rebond.** Examiner la situation et corriger de manière à éliminer la cause du blocage de la meule.
- ▶ **Ne pas démarrer de nouveau le travail directement sur la pièce. Laissez le disque atteindre sa vitesse maximale et entrer en contact avec la pièce prudemment.** Le disque peut s'accrocher, se soulever brusquement ou avoir un mouvement arrière si l'appareil est redémarré en charge.
- ▶ **Prévoir un support de panneaux ou de toute pièce à usiner surdimensionnée pour réduire le risque de pincement et de rebond de la meule.** Les grandes pièces à usiner ont tendance à fléchir sous leur propre poids. Les supports doivent être placés sous la pièce à usiner près de la ligne de coupe et près du bord de la pièce des deux côtés de la meule.

- **Soyez particulièrement prudent lorsque vous faites une « coupe en retrait » dans des parois existantes ou dans d'autres zones sans visibilité.** La meule saillante peut couper des tuyaux de gaz ou d'eau, des câblages électriques ou des objets, ce qui peut entraîner des rebonds.

Avertissements supplémentaires



Portez toujours des lunettes de protection.



Portez un masque anti-poussières.

- **Utiliser des pinces ou tout autre moyen pratique pour fixer et supporter la pièce à travailler sur une plateforme stable.** La tenue de la pièce à travailler à la main ou contre le corps la rend instable et peut conduire à une perte de contrôle de l'outil.
- **Portez une protection auditive, des lunettes de protection, un masque antipoussière et des gants. Utilisez comme masque antipoussière au moins un demi-masque filtrant de la classe FFP 2.**
- **Utiliser des détecteurs appropriés afin de déceler des conduites cachées ou consulter les entreprises d'approvisionnement locales.** Un contact avec des lignes électriques peut provoquer un incendie ou un choc électrique. Un endommagement d'une conduite de gaz peut provoquer une explosion. La perforation d'une conduite d'eau provoque des dégâts matériels et peut provoquer un choc électrique.
- **Ne touchez pas le disque à tronçonner avant qu'il ne se soit refroidi.** Le disque à tronçonner chauffe énormément durant le travail.
- **Toujours bien tenir l'outil électroportatif des deux mains et veiller à toujours garder une position de travail stable.** Avec les deux mains, l'outil électroportatif est guidé de manière plus sûre.

Description et performances du produit



Il est impératif de lire toutes les consignes de sécurité et toutes les instructions. Le non-respect des avertissements et instructions indiqués ci-après peut conduire à une électrocution, un incendie et/ou de graves blessures.

Utilisation conforme

Equipé d'un support solide avec plaque de base et avec utilisation du capot de protection, l'outil électroportatif est conçu pour des travaux de tronçonnage ou de rainurage horizontal sur des matériaux essentiellement composés de minéraux tels que marbre, sans utilisation d'eau. L'outil électroportatif n'est pas conçu pour couper dans le bois, le métal ou les matières plastiques.

Éléments de l'appareil

La numérotation des éléments de l'appareil se réfère à la représentation de l'outil électroportatif sur la page graphique.

- 1 Interrupteur Marche/Arrêt
- 2 Bouton de blocage de l'interrupteur Marche/Arrêt
- 3 Graduation de la profondeur de coupe
- 4 Vis papillon pour présélection de la profondeur de coupe
- 5 Capot de protection
- 6 Disque à tronçonner diamanté*
- 7 Flèche de sens de rotation de la broche d'entraînement
- 8 Plaque de base
- 9 Poignée (surface de préhension isolante)
- 10 Arbre d'entraînement
- 11 Rondelle élastique
- 12 Bride porte-outil
- 13 Bride de serrage
- 14 Clé polygonale
- 15 Vis de serrage
- 16 Clé mâle coudée pour vis à six pans creux

*Les accessoires décrits ou illustrés ne sont pas tous compris dans la fourniture. Vous trouverez les accessoires complets dans notre programme d'accessoires.

Caractéristiques techniques

Scie diamant		GDC 140
N° d'article		0 601 3A0 0..
Puissance nominale absorbée	W	1400
Vitesse à vide	tr/min	13200
Diamètre max. meules à tronçonner diamantées	mm	110/115
Épaisseur min. du disque à tronçonner	mm	1,6
Épaisseur max. du disque à tronçonner	mm	2,2
Perçage de positionnement	mm	20
Profondeur de coupe max.	mm	32,5/35
Poids suivant EPTA-Procédure 01:2014	kg	2,9
Classe de protection		□/II

Ces indications sont valables pour une tension nominale de [U] 230 V. Ces indications peuvent varier pour des tensions plus basses ainsi que pour des versions spécifiques à certains pays.

Montage

- **Avant d'effectuer des travaux sur l'outil électroportatif, retirez la fiche de la prise de courant.**

Dispositif d'aspiration de la poussière

- Les poussières de matériaux tels que peintures contenant du plomb, certains bois, minéraux ou métaux, peuvent être nuisibles à la santé. Entrer en contact ou aspirer les poussières peut entraîner des réactions allergiques et/ou des maladies respiratoires auprès de l'utilisateur ou de personnes se trouvant à proximité.

16 | Français

Certaines poussières telles que les poussières de chêne ou de hêtre sont considérées comme cancérigènes, surtout en association avec des additifs pour le traitement du bois (chromate, lazure). Les matériaux contenant de l'amiante ne doivent être travaillés que par des personnes qualifiées.

- Veillez à bien aérer la zone de travail.
- Il est recommandé de porter un masque respiratoire avec un niveau de filtration de classe P2.

Respectez les règlements spécifiques aux matériaux à traiter en vigueur dans votre pays.

- ▶ **Évitez toute accumulation de poussières à l'emplacement de travail.** Les poussières peuvent facilement s'enflammer.

Montage/remplacement du disque à tronçonner diamanté (voir figure A)

- ▶ **Il est recommandé de porter des gants de protection pour le montage et le changement des meules à tronçonner diamantées.**
- ▶ **Les meules à tronçonner chauffent énormément durant le travail ; ne les touchez pas avant qu'elles ne soient complètement refroidies.**
- ▶ **Toujours utiliser un disque à tronçonner diamanté avec la taille et l'alésage approprié qui correspond aux indications mentionnées dans les caractéristiques techniques.**
- ▶ **N'utilisez pas des disques à tronçonner diamantés. Les disques à tronçonner diamantés segmentés ne doivent avoir que des angles de coupe négatifs et des fentes d'un maximum de 10 mm entre les segments.**

Montage du disque à tronçonner diamanté

- Nettoyer le disque à tronçonner diamanté **6** ainsi que toutes les pièces de serrage à monter.
- Emboîtez la bride porte-outil **12** avec le rondelle élastique **11** sur la broche d'entraînement **10**.
- Monter le disque à tronçonner diamanté **6** sur la bride porte-outil **12**. Le sens de la flèche sur le disque à tronçonner diamanté **6** et la flèche indiquant le sens de rotation sur le capot de protection **5** doivent coïncider.
- Poser la bride de serrage **13** et visser la vis de serrage **15**.
- À l'aide de la clé polygonale **14**, tenir la bride de serrage **13** et, à l'aide de la clé mâle pour vis à six pans **16**, serrer la vis de serrage **15**.

Démontage du disque à tronçonner diamanté

- À l'aide de la clé polygonale **14**, tenir la bride de serrage **13** et, à l'aide de la clé mâle pour vis à six pans **16**, desserrer la vis de serrage **15**.
- Enlever la bride de serrage **13** et le disque à tronçonner diamanté **6** de l'arbre d'entraînement **10**.

Mise en marche

Modes opératoires

- ▶ **Avant d'effectuer des travaux sur l'outil électroportatif, retirez la fiche de la prise de courant.**

Présélectionner la profondeur de coupe (voir figure B)

- ▶ **La présélection de la profondeur de coupe ne doit être effectuée que lorsque l'outil électroportatif est mis hors service.**

Adapter la profondeur de coupe à l'épaisseur de la pièce à scier. Pour obtenir un résultat optimal, le disque à tronçonner diamanté doit dépasser le matériau de 2 mm.

- Desserrer la vis papillon **4**. Pour une profondeur de coupe plus petite, éloigner l'outil électroportatif de la plaque de base **8**, pour une profondeur de coupe plus élevée, approcher l'outil électroportatif de la plaque de base **8**. Régler la mesure souhaitée sur la graduation de la profondeur de coupe **3**. Resserrer fermement la vis papillon **4**.

Mise en service

- ▶ **Tenez compte de la tension du réseau ! La tension de la source de courant doit correspondre aux indications se trouvant sur la plaque signalétique de l'outil électroportatif. Les outils électroportatifs marqués 230 V peuvent également fonctionner sur 220 V.**

Mise en Marche/Arrêt

Afin d'économiser l'énergie, ne mettez l'outil électroportatif en marche que quand vous l'utilisez.

- Pour **mettre** l'outil électroportatif **en marche**, appuyez sur l'interrupteur Marche/Arrêt **1** et maintenez-le appuyé.
- Pour **bloquer** l'interrupteur Marche/Arrêt en fonction **1**, appuyez sur le bouton de blocage **2**.
- Pour **arrêter** l'appareil électroportatif, relâchez l'interrupteur Marche/Arrêt **1** ou, s'il est bloqué par le bouton de blocage **2**, appuyez brièvement sur l'interrupteur Marche/Arrêt **1**, puis relâchez-le.

- ▶ **Contrôlez la meule à tronçonner diamantée avant de l'utiliser. La meule à tronçonner diamantée doit être parfaitement montée et elle doit pouvoir tourner librement. Effectuez un essai de marche en laissant tourner sans sollicitation l'outil pendant au moins 1 minute. N'utilisez pas des meules à tronçonner diamantées endommagées, déséquilibrées ou générant des vibrations.** Les meules à tronçonner diamantées endommagées peuvent se fendre lors du travail et provoquer de graves blessures.

Instructions d'utilisation

- ▶ **Attention lors de la réalisation de saignées dans les murs porteurs, voir chapitre « Indications concernant les normes de construction ».**
- ▶ **Ne sollicitez pas l'outil électroportatif au point qu'il s'arrête.**
- ▶ **Laissez tourner l'outil électroportatif à vide pendant quelques minutes après une forte sollicitation pour refroidir l'outil de travail.**
- ▶ **Travailler en plusieurs fois dans des matériaux durs lorsque la profondeur de coupe est supérieure à 20 mm pour ne pas surcharger le moteur.**
- ▶ **Serrez correctement la pièce à travailler lorsque celle-ci ne repose pas de manière sûre malgré son propre poids.**

► **N'utilisez l'outil électroportatif que pour des travaux de découpage à sec.**

► **Les meules à tronçonner chauffent énormément durant le travail ; ne les touchez pas avant qu'elles ne se soient complètement refroidies.**

Protégez le disque à tronçonner contre les chocs, les coups et la graisse. N'exposez pas le disque à tronçonner à une pression latérale.

Ne freinez pas les meules à tronçonner diamantées qui ralentissent en exerçant une pression latérale.

Lors du tronçonnage de matériaux particulièrement durs, p. ex. le béton avec une teneur élevée en agrégats, le disque à tronçonner diamanté risque de s'échauffer et de subir ainsi des dommages. Des gerbes d'étincelles autour du disque à tronçonner diamanté en sont le signe.

Dans un tel cas, interrompez le processus de tronçonnage et laissez tourner pendant quelque temps le disque à tronçonner diamanté à pleine vitesse en marche à vide pour le laisser se refroidir.

Un ralentissement perceptible du rythme de travail et des gerbes d'étincelles circonférentielles constituent des indices signalant un émoussage du disque à tronçonner diamanté.

Vous pouvez le réaffûter en coupant dans un matériau abrasif (p. ex. brique silico-calcaire).

Direction de la coupe (voir figure C)

L'outil électroportatif doit toujours travailler en sens opposé. Sinon, il risque de sortir de la ligne de coupe **de façon incontrôlée**.

Indications concernant les normes de construction

Les saignées dans les murs porteurs sont soumises à la norme DIN 1053 Partie 1 ou aux directives spécifiques à un pays. Respectez impérativement ces directives. Avant de commencer le travail, consultez l'ingénieur responsable des travaux, l'architecte compétent ou la Direction responsable des travaux.

Entretien et Service Après-Vente

Nettoyage et entretien

► **Avant d'effectuer des travaux sur l'outil électroportatif, retirez la fiche de la prise de courant.**

► **Veillez à ce que l'outil électroportatif ainsi que les ouïes de ventilation soient toujours propres afin d'obtenir un travail impeccable et sûr.**

Si le remplacement du câble d'alimentation est nécessaire, ceci ne doit être effectué que par Bosch ou une station de Service Après-Vente agréée pour outillage Bosch afin d'éviter des dangers de sécurité.

Stockez et traitez les accessoires avec précaution.

Service Après-Vente et Assistance

Notre Service Après-Vente répond à vos questions concernant la réparation et l'entretien de votre produit et les pièces de rechange. Vous trouverez des vues éclatées ainsi que des informations concernant les pièces de rechange également sous :

www.bosch-pt.com

Les conseillers techniques et assistants Bosch sont à votre disposition pour répondre à vos questions concernant nos produits et leurs accessoires.

Pour toute demande de renseignement ou commande de pièces de rechange, précisez-nous impérativement le numéro d'article à dix chiffres indiqué sur la plaque signalétique du produit.

Algeria

Siestal
Zone Industrielle Ihaddaden
06000 Bejaia
Tel. : + 213 (0) 982 400 991/2
Fax : + 213 (0) 3 420 1569
E-Mail : sav@siestal-dz.com

Morocco

Robert Bosch Morocco SARL
53, Rue Lieutenant Mahroud Mohamed
20300 Casablanca
E-Mail : sav.outillage@ma.bosch.com

Tunisia

Robert Bosch Tunisie SARL
7 Rue Ibn Battouta Z. I. Saint Gobain
Mégrine Riadh
2014 Ben Arous
Tél. : + 216 71 427 496/879
Fax : + 216 71 428 621
E-Mail : sav.outillage@tn.bosch.com

Côte d'Ivoire


Rimco
ZONE 3, 9 RUE DU CANAL
01 BP V230, Abidjan 01
Tel. : +225 21 25 93 38

Sénégal

Bernabé
Km 2,5 – Bd du Centenaire de la Commune de Dakar
B.P. 2098 DAKAR
Tel. : +221 33 849 01 01
Fax : +221 33 823 34 20

Élimination des déchets

Les outils électroportatifs, ainsi que leurs accessoires et emballages, doivent pouvoir suivre chacun une voie de recyclage appropriée.

 Ne jetez pas les outils électroportatifs avec les ordures ménagères !

Sous réserve de modifications.



Português

Indicações de segurança

Indicações gerais de advertência para ferramentas elétricas

⚠ ATENÇÃO Devem ser lidas todas as indicações de advertência e todas as instruções.

O desrespeito das advertências e instruções apresentadas abaixo pode causar choque elétrico, incêndio e/ou graves lesões.

Guarde bem todas as advertências e instruções para futura referência.

O termo "Ferramenta elétrica" utilizado a seguir nas indicações de advertência, refere-se a ferramentas elétricas operadas com corrente de rede (com cabo de rede) e a ferramentas elétricas operadas com acumulador (sem cabo de rede).

Segurança da área de trabalho

- ▶ **Mantenha a sua área de trabalho sempre limpa e bem iluminada.** Desordem ou áreas de trabalho insuficientemente iluminadas podem levar a acidentes.
- ▶ **Não trabalhar com a ferramenta elétrica em áreas com risco de explosão, nas quais se encontrem líquidos, gases ou pós inflamáveis.** Ferramentas elétricas produzem faíscas, que podem inflamar pós ou vapores.
- ▶ **Manter crianças e outras pessoas afastadas da ferramenta elétrica durante a utilização.** No caso de distração é possível que perca o controlo sobre o aparelho.

Segurança elétrica

- ▶ **A ficha de conexão da ferramenta elétrica deve caber na tomada. A ficha não deve ser modificada de maneira alguma. Não utilizar uma ficha de adaptação junto com ferramentas elétricas protegidas por ligação à terra.** Fichas não modificadas e tomadas apropriadas reduzem o risco de um choque elétrico.
- ▶ **Evitar que o corpo possa entrar em contacto com superfícies ligadas à terra, como tubos, aquecimentos, fogões e frigoríficos.** Há um risco elevado devido a choque elétrico, se o corpo estiver ligado à terra.
- ▶ **Manter o aparelho afastado de chuva ou humidade.** A infiltração de água numa ferramenta elétrica aumenta o risco de choque elétrico.
- ▶ **Não deverá utilizar o cabo para outras finalidades. Jamais utilizar o cabo para transportar a ferramenta elétrica, para pendurá-la, nem para puxar a ficha da tomada. Manter o cabo afastado de calor, óleo, cantos afiados ou partes do aparelho em movimento.** Cabos danificados ou emaranhados aumentam o risco de um choque elétrico.
- ▶ **Se trabalhar com uma ferramenta elétrica ao ar livre, só deverá utilizar cabos de extensão apropriados para áreas exteriores.** A utilização de um cabo de extensão apropriado para áreas exteriores reduz o risco de um choque elétrico.

- ▶ **Se não for possível evitar o funcionamento da ferramenta elétrica em áreas húmidas, deverá ser utilizado um disjuntor de corrente de avaria.** A utilização de um disjuntor de corrente de avaria reduz o risco de um choque elétrico.

Segurança de pessoas

- ▶ **Esteja atento, observe o que está a fazer e tenha prudência ao trabalhar com a ferramenta elétrica. Não utilizar uma ferramenta elétrica quando estiver fatigado ou sob a influência de drogas, álcool ou medicamentos.** Um momento de descuido ao utilizar a ferramenta elétrica, pode levar a lesões graves.
- ▶ **Utilizar equipamento de proteção pessoal e sempre óculos de proteção.** A utilização de equipamento de proteção pessoal, como máscara de proteção contra pó, sapatos de segurança antiderrapantes, capacete de segurança ou proteção auricular, de acordo com o tipo e aplicação da ferramenta elétrica, reduz o risco de lesões.
- ▶ **Evitar uma colocação em funcionamento involuntária. Assegure-se de que a ferramenta elétrica esteja desligada, antes de conectá-la à alimentação de rede e/ou ao acumulador, antes de levantá-la ou de transportá-la.** Se tiver o dedo no interruptor ao transportar a ferramenta elétrica ou se o aparelho for conectado à alimentação de rede enquanto estiver ligado, poderão ocorrer acidentes.
- ▶ **Remover ferramentas de ajuste ou chaves de boca antes de ligar a ferramenta elétrica.** Uma ferramenta ou chave que se encontre numa parte do aparelho em movimento pode levar a lesões.
- ▶ **Evite uma posição anormal. Mantenha uma posição firme e mantenha sempre o equilíbrio.** Desta forma é mais fácil controlar a ferramenta elétrica em situações inesperadas.
- ▶ **Usar roupa apropriada. Não usar roupa larga nem joias. Mantenha os cabelos, roupas e luvas afastadas de partes em movimento.** Roupas frouxas, cabelos longos ou joias podem ser agarrados por peças em movimento.
- ▶ **Se for possível montar dispositivos de aspiração ou de recolha, assegure-se de que estejam conectados e utilizados corretamente.** A utilização de uma aspiração de pó pode reduzir o perigo devido ao pó.

Utilização e manuseio cuidadoso de ferramentas elétricas

- ▶ **Não sobrecarregue o aparelho. Utilize a ferramenta elétrica apropriada para o seu trabalho.** É melhor e mais seguro trabalhar com a ferramenta elétrica apropriada na área de potência indicada.
- ▶ **Não utilizar uma ferramenta elétrica com um interruptor defeituoso.** Uma ferramenta elétrica que não pode mais ser ligada nem desligada, é perigosa e deve ser reparada.
- ▶ **Puxar a ficha da tomada e/ou remover o acumulador antes de executar ajustes no aparelho, de substituir acessórios ou de guardar o aparelho.** Esta medida de segurança evita o arranque involuntário da ferramenta elétrica.

- ▶ **Guardar ferramentas elétricas não utilizadas fora do alcance de crianças. Não permita que pessoas que não estejam familiarizadas com o aparelho ou que não tenham lido estas instruções, utilizem o aparelho.** Ferramentas elétricas são perigosas se forem utilizadas por pessoas inespertas.
 - ▶ **Tratar a ferramenta elétrica com cuidado. Controlar se as partes móveis do aparelho funcionam perfeitamente e não emperram, e se há peças quebradas ou danificadas que possam prejudicar o funcionamento da ferramenta elétrica. Permitir que peças danificadas sejam reparadas antes da utilização.** Muitos acidentes têm como causa, a manutenção insuficiente de ferramentas elétricas.
 - ▶ **Manter as ferramentas de corte afiadas e limpas.** Ferramentas de corte cuidadosamente tratadas e com cantos de corte afiados emperram com menos frequência e podem ser conduzidas com maior facilidade.
 - ▶ **Utilizar a ferramenta elétrica, acessórios, ferramentas de aplicação, etc. conforme estas instruções. Considerar as condições de trabalho e a tarefa a ser executada.** A utilização de ferramentas elétricas para outras tarefas a não ser as aplicações previstas, pode levar a situações perigosas.
- Serviço**
- ▶ **Só permita que o seu aparelho seja reparado por pessoal especializado e qualificado e só com peças de reposição originais.** Desta forma é assegurado o funcionamento seguro do aparelho.
- Indicações de segurança para fresadoras de abrir roços**
- ▶ **A capa de proteção que pertence à ferramenta elétrica deve ser aplicada de forma segura e ajustada de modo a alcançar um máximo de segurança, ou seja, uma parte mínima do rebolo mostre abertamente para a pessoa a operar o aparelho. Mantenha-se, e mantenha as pessoas que se encontrem nas proximidades, afastadas do nível do rebolo em rotação.** A capa de proteção deve proteger o operador contra estilhaços e contra um contacto accidental com o rebolo.
 - ▶ **Só utilizar discos de corte com revestimento diamantado para a sua ferramenta elétrica.** O facto de ser possível fixar o acessório a esta ferramenta elétrica, não garante uma aplicação segura.
 - ▶ **O número de rotação admissível da ferramenta de trabalho deve ser no mínimo tão alto quanto o máximo número de rotação indicado na ferramenta elétrica.** Acessórios que girem mais rápido do que permitido, podem quebrar e serem atirados para longe.
 - ▶ **Rebolos só devem ser usados para as finalidades de aplicação recomendadas. por ex.: nunca se deve lixar com a superfície lateral de um disco de corte.** Discos de corte são destinados para o desbaste de material com o canto do disco. Uma pressão lateral sobre estes rebolos pode quebrá-los.
 - ▶ **Sempre utilizar flanges de aperto intactos, de tamanho e forma corretos para o disco abrasivo selecionado.** Flanges apropriados apoiam o disco abrasivo e reduzem assim o perigo de uma rutura do disco abrasivo.
 - ▶ **O diâmetro exterior e a espessura da ferramenta de trabalho devem corresponder às indicações de medida da sua ferramenta elétrica.** Ferramentas de trabalho incorretamente medidas podem não ser suficientemente blindadas nem controladas.
 - ▶ **Os discos abrasivos e os flanges devem caber exatamente no veio de retificação da sua ferramenta elétrica.** Ferramentas de trabalho, que não cabem exatamente no veio de retificação da ferramenta elétrica, giram irregularmente, vibram fortemente e podem levar à perda de controlo.
 - ▶ **Não usar discos abrasivos danificados. Controlar os discos abrasivos, antes de cada utilização, quanto a estilhaços e rachaduras. Se a ferramenta elétrica ou o disco abrasivo caírem, deverá ser verificado se sofreram danos, ou utilizado um disco abrasivo não danificado. Se tiver controlado e colocado o disco abrasivo, deverá manter-se, e as pessoas que se encontrem por perto, afastadas do nível do disco abrasivo em rotação e deixar o aparelho funcionar durante um minuto com o máximo número de rotações.** A maioria dos discos abrasivos quebram durante este período de teste.
 - ▶ **Utilizar um equipamento de proteção pessoal. De acordo com a aplicação, deverá utilizar uma proteção para todo o rosto, proteção para os olhos ou uns óculos protetores. Se for necessário, deverá utilizar uma máscara contra pó, proteção auricular, luvas de proteção ou um avental especial, para proteger-se de pequenas partículas de amoladura e de material.** Os olhos devem ser protegidos contra partículas a voar, produzidas durante as diversas aplicações. A máscara contra pó ou a máscara de respiração deve ser capaz de filtrar o pó produzido durante a respetiva aplicação. Se for sujeito durante longo tempo a fortes ruídos, poderá sofrer a perda da capacidade auditiva.
 - ▶ **Observe que as outras pessoas mantenham uma distância segura em relação ao seu local de trabalho. Cada pessoa que entrar na área de trabalho, deverá usar um equipamento de proteção pessoal.** Estilhaços da peça a ser trabalhada ou ferramentas de trabalho quebradas podem voar e causar lesões fora da área imediata de trabalho.
 - ▶ **Ao executar trabalhos durante os quais podem ser atingidos cabos elétricos ou o próprio cabo de rede deverá sempre segurar a ferramenta elétrica pelas superfícies de punho isoladas.** O contacto com um cabo sob tensão também pode colocar sob tensão as peças metálicas do aparelho e levar a um choque elétrico.
 - ▶ **Manter o cabo de rede afastado de ferramentas de trabalho em rotação.** Se perder o controlo sobre o aparelho, é possível que o cabo de rede seja cortado ou enganchado e a sua mão ou braço sejam puxados contra a ferramenta de trabalho em rotação.

20 | Português

- ▶ **Jamais depositar a ferramenta elétrica, antes que a ferramenta de trabalho esteja completamente parada.** A ferramenta de trabalho em rotação pode entrar em contacto com a superfície de apoio, provocando uma perda de controlo da ferramenta elétrica.
- ▶ **Não permitir que a ferramenta elétrica funcione enquanto estiver a transportá-la.** A sua roupa pode ser agarrada devido a um contacto accidental com a ferramenta de trabalho em rotação, de modo que a ferramenta de trabalho possa ferir o seu corpo.
- ▶ **Limpar regularmente as aberturas de ventilação da sua ferramenta elétrica.** A ventoinha do motor puxa pó para dentro da carcaça, e uma grande quantidade de pó de metal pode causar perigos elétricos.
- ▶ **Não utilizar a ferramenta elétrica perto de materiais inflamáveis.** Fâscas podem incendiar estes materiais.
- ▶ **Não utilizar ferramentas de trabalho que necessitem agentes de refrigeração líquidos.** A utilização de água ou de outros agentes de refrigeração líquidos pode provocar um choque elétrico.

Contragolpe e respetivas advertências

- ▶ **Contragolpe** é uma reação repentina provocada devido ao bloqueio do disco abrasivo durante o movimento. A ferramenta de trabalho para de repente se for bloqueada ou se enganchar durante a rotação. Com isto uma ferramenta elétrica é acelerada descontroladamente no local do bloqueio, no sentido contrário da rotação da ferramenta de trabalho.
Se por ex. um disco de lixar for emperrado ou bloqueado na peça a ser trabalhada, é possível que o canto do disco de lixar, que mergulha na peça a ser trabalhada, fique preso, causando uma rutura do disco de lixar ou um contragolpe. O disco de lixar se movimenta então na direção da pessoa a operar a ferramenta ou se movimenta para longe dela, dependendo do sentido de rotação do disco no local do bloqueio. Isto pode quebrar os discos de lixar.
Um contragolpe é a consequência de uma utilização errada ou incorreta da ferramenta elétrica. Um manuseio incorreto pode ser evitado através de medidas de cuidado apropriadas, descritas a seguir.
- ▶ **Segurar firmemente a ferramenta elétrica e posicionar o seu corpo e os braços de modo que possa resistir às forças de um contragolpe. Sempre utilizar o punho adicional, se existente, para assegurar o máximo controlo possível sobre as forças de um contragolpe ou sobre momentos de reação durante o arranque.** O operador pode controlar as forças de contragolpe e as forças de reação através de medidas de precaução apropriadas.
- ▶ **Jamais permita que as suas mãos se encontrem perto de ferramentas de trabalho em rotação.** No caso de um contragolpe a ferramenta de trabalho poderá passar pela sua mão.
- ▶ **Evitar a área que se encontra na frente ou atrás do disco de corte em rotação.** O contragolpe força a ferramenta elétrica no sentido contrário ao movimento do disco abrasivo no local do bloqueio.

- ▶ **Trabalhar com especial cuidado na área ao redor de esquinas, cantos afiados etc. Evite que ferramentas de trabalho sejam ricocheteadas e travadas pela peça a ser trabalhada.** A ferramenta de trabalho em rotação tende a travar em esquinas, em cantos afiados ou se for ricocheteada. Isto causa uma perda de controlo ou um contragolpe.
- ▶ **Não devem ser usadas lâminas de serra de corrente ou lâminas dentadas, nem discos de diamante segmentados com fendas com mais de 10 mm de largura.** Estas ferramentas de trabalho causam frequentemente um contragolpe ou a perda de controlo sobre a ferramenta elétrica.
- ▶ **Deve ser evitado o bloqueio do disco de corte ou uma demasiada força de pressão. Não devem ser realizados cortes profundos demais.** Uma sobrecarga do disco de corte aumenta o desgaste e a predisposição para emperrar e bloquear e portanto a possibilidade de um contragolpe ou uma rutura do corpo abrasivo.
- ▶ **Se o disco de corte emperrar ou se o trabalho for interrompido, o aparelho deve ser desligado e segurado com cuidado até o disco parar completamente. Jamais tente puxar o disco de corte para fora da fenda de corte enquanto ainda estiver a girar, caso contrário pode ocorrer um contragolpe.** Verificar e eliminar a causa do emperramento.
- ▶ **Não ligar novamente a ferramenta elétrica, enquanto ainda estiver na peça a ser trabalhada. Permita que o disco de corte alcance o seu completo número de rotação, antes de continuar cuidadosamente a cortar.** Caso contrário é possível que o disco emperre, pule para fora da peça a ser trabalhada ou cause um contragolpe.
- ▶ **Apoiar placas ou peças grandes, para reduzir um risco de contragolpe devido a um disco de corte emperrado.** Peças grandes podem curvar-se devido ao próprio peso. A peça a ser trabalhada deve ser apoiada de ambos os lados, tanto nas proximidades do corte como também nos cantos.
- ▶ **Tenha o cuidado ao efetuar “Cortes de bolso” em paredes existentes ou em outras superfícies, onde não é possível reconhecer o que há por detrás.** O disco de corte pode causar um contragolpe se cortar accidentalmente tubulações de gás ou de água, cabos elétricos ou outros objetos.

Advertências de segurança adicionais

Usar óculos de proteção.



Usar uma máscara de proteção contra pó.

- ▶ **Fixar a peça a ser trabalhada com sargentos, ou de outra maneira, a uma base firme.** Se a peça a ser trabalhada for segurada com a mão ou apoiada contra o seu próprio

corpo, ela permanecerá instável, levando à perda de controlo.

- ▶ **Usar uma proteção auricular, óculos protetores, máscara de proteção contra pó e luvas. Utilizar no mínimo uma máscara da classe FFP 2 que filtre partículas como proteção contra o pó.**
- ▶ **Utilizar detetores apropriados, para encontrar cabos escondidos, ou consulte a companhia elétrica local.** O contacto com cabos elétricos pode provocar fogo e choques elétricos. Danos em tubos de gás podem levar à explosão. A penetração num cano de água causa danos materiais ou pode provocar um choque elétrico.
- ▶ **Jamais tocar no disco de corte após terminar o trabalho, antes que possa esfriar.** O disco de corte torna-se extremamente quente durante o trabalho.
- ▶ **Segurar a ferramenta elétrica firmemente com ambas as mãos durante o trabalho e manter uma posição firme.** A ferramenta elétrica é conduzida com segurança com ambas as mãos.

Descrição do produto e da potência



Devem ser lidas todas as indicações de advertência e todas as instruções. O desrespeito das advertências e instruções apresentadas abaixo pode causar choque elétrico, incêndio e/ou graves lesões.

Utilização conforme as disposições

A ferramenta elétrica, com apoio fixo na placa base e utilização de cobertura de proteção na horizontal, destina-se a cortar ou ranhar materiais predominantemente minerais, como por exemplo o mármore, sem a utilização de água. A ferramenta elétrica não se destina a cortar madeira, plástico ou metal.

Componentes ilustrados

A numeração dos componentes ilustrados refere-se à apresentação da ferramenta elétrica na página de esquemas.

- 1 Interruptor de ligar-desligar
- 2 Tecla de fixação para o interruptor de ligar-desligar
- 3 Escala de profundidade de corte
- 4 Parafuso de orelhas para pré-seleção de profundidade de corte
- 5 Capa de proteção
- 6 Disco de corte diamantado*
- 7 Seta do sentido de rotação do veio de retificação
- 8 Placa de base
- 9 Punho (superfície isolada)
- 10 Veio de acionamento
- 11 O-Ring
- 12 Flange de admissão
- 13 Flange de aperto
- 14 Chave anular
- 15 Parafuso de aperto
- 16 Chave de sextavado interno

***Acessórios apresentados ou descritos não pertencem ao volume de fornecimento padrão. Todos os acessórios encontram-se no nosso programa de acessórios.**

Dados técnicos

Serra para pedra		GDC 140
N.º do produto		0 601 3A0 0..
Potência nominal consumida	W	1400
N.º de rotações em ponto morto	rpm	13200
máx. diâmetro dos discos de corte de diamante	mm	110/115
min. espessura do disco de corte	mm	1,6
máx. espessura do disco de corte	mm	2,2
Furo de centragem	mm	20
máx. profundidade de corte	mm	32,5/35
Peso conforme EPTA-Procedure 01:2014	kg	2,9
Classe de proteção		□/II

As indicações valem para tensões nominais [U] de 230 V. Estas indicações podem variar dependendo de tensões inferiores e dos modelos específicos dos países.

Montagem

- ▶ **Antes de todos trabalhos na ferramenta elétrica deverá puxar a ficha de rede da tomada.**

Dispositivo de aspiração de pó

- ▶ Pós de materiais como por exemplo, tintas que contém chumbo, alguns tipos de madeira, minerais e metais, podem ser nocivos à saúde. O contacto ou a inalação dos pós pode provocar reações alérgicas e/ou doenças nas vias respiratórias do utilizador ou das pessoas que se encontram por perto. Certos pós, como por exemplo pó de carvalho e faia são considerados como sendo cancerígenos, especialmente quando juntos com substâncias para o tratamento de madeiras (cromato, preservadores de madeira). Material que contém asbesto só deve ser processado por pessoal especializado.
 - Assegurar uma boa ventilação do local de trabalho.
 - É recomendável usar uma máscara de proteção respiratória com filtro da classe P2.
 Observe as diretivas para os materiais a serem trabalhados, vigentes no seu país.
- ▶ **Evite o acúmulo de pó no local de trabalho.** Pós podem entrar levemente em ignição.

Introduzir/substituir o disco de corte diamantado (veja figura A)

- ▶ **É recomendável usar luvas protetoras para introduzir e para substituir discos de corte de diamante.**
- ▶ **Os discos de corte de diamante tornam-se extremamente quentes durante o trabalho; não toque neles antes que arrefeçam.**

22 | Português

► **Sempre usar um disco de corte diamantado do tamanho correto e com o furo de fixação apropriado, de acordo com as indicações dos dados técnicos.**

► **Só utilizar discos de corte diamantados. Discos diamantados segmentados só devem apresentar ângulos de corte negativos e fendas de no máximo 10 mm entre os segmentos.**

Montar o disco de corte de diamante

- Limpar o disco de corte diamantado **6** e todas as peças de aperto a serem montadas.
- Insira o flange de admissão **12** com o O-Ring **11** no fuso de acionamento **10**.
- Colocar o disco de corte diamantado **6** sobre o flange de admissão **12**. O sentido da seta sobre o disco de corte diamantado **6** e seta do sentido de rotação sobre a cobertura de proteção **5** devem coincidir.
- Colocar o flange de aperto **13** e atarraxar o parafuso de aperto **15**.
- Segure com a chave anular **14** o flange de aperto **13** e aperte com uma chave de sextavado interior **16** o parafuso de aperto **15**.

Montar o disco de corte diamantado

- Segure com a chave anular **14** o flange de aperto **13** e solte com a chave de sextavado interior **16** o parafuso de aperto **15**.
- Retirar o flange de aperto **13** e o disco de corte diamantado **6** do veio de acionamento **10**.

Funcionamento

Tipos de funcionamento

► **Antes de todos trabalhos na ferramenta elétrica deverá puxar a ficha de rede da tomada.**

Pré-selecionar a profundidade de corte (veja figura B)

► **A pré-seleção da profundidade de corte só deve ser realizada com a ferramenta elétrica desligada.**

Adaptar a profundidade de corte à espessura da peça a ser trabalhada. Para um resultado ideal é necessário que o disco de corte diamantado sobressaia aprox. 2 mm do material.

- Soltar o parafuso de orelhas **4**. Para uma menor profundidade de corte, deverá puxar a ferramenta elétrica da placa de base **8**, para maiores profundidades de corte, deverá premir a ferramenta elétrica na direção da placa de base **8**. Ajustar a medida desejada na escala de profundidade de corte **3**. Reapertar a porca de orelhas **4**.

Colocação em funcionamento

► **Observar a tensão de rede! A tensão da fonte de corrente deve coincidir com a indicada na chapa de identificação da ferramenta elétrica. Ferramentas elétricas marcadas para 230 V também podem ser operadas com 220 V.**

Ligar e desligar

Para poupar energia só deverá ligar a ferramenta elétrica quando ela for utilizada.

- Para a **colocação em funcionamento** da ferramenta elétrica deverá pressionar o interruptor de ligar-desligar **1** e manter pressionado.
- Para **fixar** o interruptor de ligar-desligar **1** deverá premir a tecla de fixação **2**.
- Para **desligar** a ferramenta elétrica, deverá soltar o interruptor de ligar-desligar **1** ou se estiver travado com a tecla de fixação **2**, deverá pressionar o interruptor de ligar-desligar **1** por instantes e em seguida soltar novamente.

► **Controlar o disco de corte de diamante antes de cada utilização. O disco de corte de diamante deve estar montado de forma correta e deve movimentar-se livremente. Executar um funcionamento de teste, sem carga, de no mínimo 1 minuto. Não utilizar discos de corte de diamante, descentrados ou a vibrar.** Discos de corte de diamante danificados podem estoirar e causar lesões.

Indicações de trabalho

► **Cuidado ao cortar em paredes portantes, veja a secção "Notas sobre a estática".**

► **Não carregue demasiadamente a ferramenta elétrica, de modo que chegue a parar.**

► **Após um trabalho com carga elevada, deverá permitir que a ferramenta elétrica funcione alguns minutos em vazio, para que a ferramenta de trabalho possa arrefecer.**

► **Trabalhos com profundidades de corte superiores a 20 mm, em materiais duros, tais como betão, devem ser executados em várias etapas de trabalho, para não sobrecarregar o motor.**

► **Fixar a peça a ser trabalhada se esta não estiver firmemente apoiada devido ao seu próprio peso.**

► **A ferramenta elétrica só deve ser utilizada para cortar a seco.**

► **Os discos de corte de diamante tornam-se extremamente quentes durante o trabalho; não toque neles antes que arrefeçam.**

Proteger o disco de corte contra golpes, pancadas e gordura. O disco de corte não deve ser exposto à qualquer pressão lateral.

Não travar discos de corte de diamante, em funcionamento por inércia, através de uma pressão lateral.

Para cortar materiais especialmente duros, como p. ex. betão com alto teor de sílex, é possível que o disco de corte diamantado seja sobreaquecido e danificado. Uma coroa de faúlhas em volta do disco de corte diamantado é um indício nítido.

Neste caso deverá interromper o processo de corte e deixar o disco de corte diamantado girar em vazio, com máximo número de rotações, durante alguns instantes, para se arrefecer.

Um avanço de trabalho nitidamente reduzido e uma coroa de faúlhas em volta do disco são indícios nítidos de um disco de corte diamantado embotado. Estes podem ser reafiados através de curtos cortes em material abrasivo, p. ex. arenito calcário.

Direção do corte (veja figura C)

A ferramenta elétrica deve sempre ser conduzida no sentido contrário da rotação. Caso contrário há perigo de que seja premedida **descontroladamente** do corte.

Notas sobre a estática

Cortes em paredes portantes obedecem à norma DIN 1053 parte 1 ou disposições específicas dos países. É imprescindível respeitar estes regulamentos. Antes de iniciar o trabalho deverá consultar o técnico de estabilidade, o arquiteto ou o supervisor da obra responsáveis.

Manutenção e serviço**Manutenção e limpeza**

- ▶ **Antes de todos trabalhos na ferramenta elétrica deverá puxar a ficha de rede da tomada.**
- ▶ **Manter a ferramenta elétrica e as aberturas de ventilação sempre limpas, para trabalhar bem e de forma segura.**

Se for necessário substituir o cabo de conexão, isto deverá ser realizado pela Bosch ou por uma oficina de serviço pós-venda autorizada para todas as ferramentas elétricas Bosch para evitar riscos de segurança.

Os acessórios devem ser armazenados e tratados com cuidado.

Serviço pós-venda e consultoria de aplicação

O serviço pós-venda responde às suas perguntas a respeito de serviços de reparação e de manutenção do seu produto, assim como das peças sobressalentes. Desenhos explodidos e informações sobre peças sobressalentes encontram-se em: www.bosch-pt.com

A nossa equipa de consultoria de aplicação Bosch esclarece com prazer todas as suas dúvidas a respeito da compra, aplicação e ajuste dos produtos e acessórios.

Indique para todas as questões e encomendas de peças sobressalentes a referência de 10 dígitos de acordo com a placa de características do produto.

Brasil

Robert Bosch Ltda. – Divisão de Ferramentas Elétricas
Caixa postal 1195 – CEP: 13065-900
Campinas – SP
Tel.: 0800 7045 446
www.bosch.com.br/contato

Angola

InvestGlobal
Parque Logístico
Estrada de Viana Km 12
Luanda
Tel. : +212 948 513 580
E-Mail: helderribeiro@investglobal-ang.com

Eliminação

Ferramentas elétricas, acessórios e embalagens devem ser enviados a uma reciclagem ecológica de matérias-primas.



Não deitar ferramentas elétricas no lixo doméstico!

Sob reserva de alterações.

中文

安全规章

电动工具通用安全警告

警告！ 阅读所有警告和所有说明！不遵照以下警告和说明会导致电击、着火和/或严重伤害。

保存所有警告和说明书以备查阅。

在所有下列的警告中术语“电动工具”指市电驱动（有线）电动工具或电池驱动（无线）电动工具。

工作场地的安全

- ▶ **保持工作场地清洁和明亮。** 混乱和黑暗的场地会引发事故。
- ▶ **不要在易爆环境，如有易燃液体、气体或粉尘的环境下操作电动工具。** 电动工具产生的火花会点燃粉尘或气体。
- ▶ **让儿童和旁观者离开后操作电动工具。** 注意力不集中会使操作者失去对工具的控制。

电气安全

- ▶ **电动工具插头必须与插座相配。绝不能以任何方式改装插头。** 需接地的电动工具不能使用任何转换插头。未经改装的插头和相配的插座将减少电击危险。
- ▶ **避免人体接触接地表面，如管道、散热片和冰箱。** 如果你身体接地会增加电击危险。
- ▶ **不得将电动工具暴露在雨中或潮湿环境中。** 水进入电动工具将增加电击危险。
- ▶ **不得滥用电线。** 绝不能用电线搬运、拉动电动工具或拔出其插头。使电线远离热源、油、锐边或运动部件。受损或缠绕的软线会增加电击危险。
- ▶ **当在户外使用电动工具时，使用适合户外使用的外接软线。** 适合户外使用的软线将减少电击危险。
- ▶ **如果在潮湿环境下操作电动工具是不可避免的，应使用剩余电流动作保护器（RCD）。** 使用 RCD 可减少电击危险。

人身安全

- ▶ **保持警觉，当操作电动工具时关注所从事的操作并保持清醒。** 当你感到疲倦，或在有药物、酒精或治疗反应时，不要操作电动工具。在操作电动工具时瞬间的疏忽会导致严重人身伤害。

24 | 中文

- ▶ **使用个人防护装置。始终佩戴护目镜。** 安全装置，诸如适当条件下使用防尘面具、防滑安全鞋、安全帽、听力防护等装置能减少人身伤害。
 - ▶ **防止意外启动。确保开关在连接电源和 / 或电池盒、拿起或搬运工具时处于关断位置。** 手指放在已接通电源的开关上或开关处于接通时插入插头可能会导致危险。
 - ▶ **在电动工具接通之前，拿掉所有调节钥匙或扳手。** 遗留在电动工具旋转零件上的扳手或钥匙会导致人身伤害。
 - ▶ **手不要伸展得太长。时刻注意立足点和身体平衡。** 这样在意外情况下能很好地控制电动工具。
 - ▶ **着装适当。不要穿宽松衣服或佩戴饰品。让衣服、手套和头发远离运动部件。** 宽松衣服、佩饰或长发可能会卷入运动部件中。
 - ▶ **如果提供了与排屑、集尘设备连接用的装置，要确保他们连接完好且使用得当。** 使用这些装置可减少尘屑引起的危险。
- 电动工具使用和注意事项**
- ▶ **不要滥用电动工具，根据用途使用适当的电动工具。** 选用适当设计的电动工具会使你工作更有效、更安全。
 - ▶ **如果开关不能接通或关断工具电源，则不能使用该电动工具。** 不能用开关来控制的电动工具是危险的且必须进行修理。
 - ▶ **在进行任何调节、更换附件或贮存电动工具之前，必须从电源上拔掉插头和 / 或使电池盒与工具脱开。** 这种防护性措施将减少工具意外启动的危险。
 - ▶ **将闲置不用的电动工具贮存在儿童所及范围之外，并且不要让不熟悉电动工具或对这些说明不了解的人操作电动工具。** 电动工具在未经培训的用户手中是危险的。
 - ▶ **保养电动工具。检查运动件是否调整到位或卡住，检查零件破损情况和影响电动工具运行的其他状况。** 如有损坏，电动工具应在使用前修理好。许多事故由维护不良的电动工具引发。
 - ▶ **保持切削刀具锋利和清洁。** 保养良好的有锋利切削刃的刀具不易卡住而且容易控制。
 - ▶ **按照使用说明书，考虑作业条件和进行的作业来使用电动工具、附件和工具的刀头等。** 将电动工具用于那些与其用途不符的操作可能会导致危险。
- 维修**
- ▶ **将你的电动工具送交专业维修人员，使用同样的备件进行修理。** 这样将确保所维修的电动工具的安全性。
- 针对云石切割机的安全规章**
- ▶ **不得使用砂轮。**
 - ▶ **不得使用不符合制造商规定的金刚石锯片。** 就算能将附件固定在电动工具上，也未必能确保它的使用安全。
 - ▶ **不得使用破损、变形或有裂痕的切割片。** 在每次使用前要检查砂轮是否产生剥落和存在裂缝。如果电动工具或砂轮跌落了，要检查上述机件是否有损坏或安装没有损坏的砂轮。检查和安装好砂轮后，您自己和附近的人都要远离旋转中的砂轮。并让电动工具以最大空载速度运行 1 分钟。损坏的砂轮通常会在这段试验时间内碎裂。
 - ▶ **不得在拆除固定护罩的状态下运行。必须固定好电动工具专属的防护罩，并且把它调整在最具安全性的位置，只能有最小部分的砂轮暴露在操作者前面。您自己和附近的人都要远离旋转中的砂轮。** 防护罩必须能够保护操作者免受到爆裂砂轮碎片割伤，避免操作者偶然触及砂轮。
 - ▶ **不得在切割片与工件接触的情况下启动切割机。不能在工件上重新启动切割操作。让砂轮达到全速后再小心地重新进入切割。** 如果电动工具在工件上重新启动，砂轮可能会卡住、爬出或反弹。
 - ▶ **切割机断电后，在切割片完全停转之前，不要放下切割机，并且不得使用任何外力迫使金刚石切割片停转。** 仍然旋转的安装件可能会割损放置处的表面并拉动电动工具而让你失去对工具的控制。
 - ▶ **更换切割片，调节切割深度或水管，或维修切割机前，应将插头从电源上拔脱，金刚石锯片处于静止状态。**
 - ▶ **对带剩余电流动作保护器的切割机，操作前应检查剩余电流动作保护器的动作可靠性。**
 - ▶ **当在切割附件有可能切割到暗线或自身电线的场所进行操作时，只能通过绝缘握持面来握住电动工具。** 切割附件碰到一根带电导线可能会使电动工具外露的金属零件带电并使操作者发生电击危险。
 - ▶ **当进行“盲切割”进入墙体或其他盲区时要格外小心。** 伸出的砂轮可能会割到煤气管或水管，电线或由此引起反弹的物体。
 - ▶ **附件的额定速度必须至少等于电动工具上标出的最大速度。** 附件以比其额定速度大的速度运转会发生爆裂和飞溅。
 - ▶ **只能根据我们的推荐用途使用砂轮。例如：千万不可以使用分割片的侧面研磨。** 分割片是利用它的边缘来割除物料。从侧面对研磨体施压会造成研磨体破裂。
 - ▶ **要使用无损的固定法兰，根据您所使用的砂轮选择尺寸正确的法兰。** 合适的法兰可以支撑砂轮并降低砂轮破裂的危险。
 - ▶ **附件的外径和厚度必须在电动工具额定能力范围之内。** 不正确的附件尺寸不能得到充分防护或控制。

- ▶ **砂轮和法兰的轴孔必须与电动工具的主轴完全吻合。** 带轴孔的，与电动工具安装件不配的附件将会失稳，过度振动并会引起失控。
- ▶ **戴上防护用品。** 根据适用情况，使用面罩，安全护目镜或安全眼镜。适用时，戴上防尘面具，听力保护器，手套和能挡小磨料或工件碎片的工作围裙。眼防护罩必须挡住各种操作产生的飞屑。防尘面具或口罩必须能够过滤操作产生的颗粒。长期暴露在高强度噪音中会引起失聪。
- ▶ **让旁观者与工作区域保持一安全距离。任何进入工作区域的人必须戴上防护用品。** 工件或破损附件的碎片可能会飞出并引起紧靠着操作区域的旁观者的伤害。切割附件触及带电导线会使电动工具外露的金属零件带电，并使操作者触电。
- ▶ **电线要远离旋转中的安装件。** 如果控制不当，电线可能被切断或缠绕住，您的手或手臂可能被卷入旋转的安装件中。
- ▶ **当携带电动工具时不要开动它。** 意外地触及旋转附件可能会缠绕您的衣服而使附件伤害身体。
- ▶ **经常清理电动工具的通风口。** 电动机风扇会将灰尘吸进机壳，过多的金属粉末沉积会导致电气危险。
- ▶ **不要在易燃材料附近操作电动工具。** 火星可能会点燃这些材料。
- ▶ **不要使用需用冷却液的附件。** 用水或其他冷却液可能导致电腐蚀或电击。

反弹和相关警告

- ▶ **反弹是因卡住或缠绕住的砂轮而产生的突然反作用力。** 卡住或缠绕会引起旋转中的安装件迅速堵转，随之失控的电动工具在卡住点产生与安装件旋转方向相反的运动。
例如，如果砂轮被工件缠绕或卡住了，陷入卡住点的砂轮边缘可能会被材料表面缠住而造成砂轮破裂或产生反弹。砂轮可能飞向或飞离操作者，这取决于砂轮在卡住点的运动方向。在此状况下砂轮也可能碎裂。
反弹是因为误用电动工具和 / 或不正确的操作工序或条件而造成。透过执行以下的预防措施可以避免产生反弹。
- ▶ **保持紧握电动工具，使你的身体和手臂处于正确状态以抵抗反弹力。** 如有辅助手柄，则要一直使用，以便最大限度控制住起动时的反弹力或反力矩。如采取合适的预防措施，操作者就可以控制反力矩或反弹力。
- ▶ **绝不能将手靠近旋转附件。** 附件可能会反弹碰到手。
- ▶ **身体不要对着旋转砂轮，也不要站在其后。** 反弹时，电动工具将由缠绕点朝着砂轮运动方向的逆向运动。

- ▶ **当在尖角、锐边等处作业时要特别小心。避免附件的弹跳和缠绕。** 尖角、锐边和弹跳具有缠绕旋转附件的趋势并引起反弹的失控。
- ▶ **不要附上锯链、木雕刀片、镶金刚石且间隙大过 10 毫米的锯片或带齿锯片。** 这些安装件容易产生反弹并且造成电动工具失控。
- ▶ **不要“夹”住切割砂轮或对砂轮施加过大的压力。不要试图做过深的切割。** 给砂轮施加过度的应力会增加砂轮在切割时的负载，砂轮容易缠绕或卡住，而且也增加了反弹或砂轮爆裂的可能性。
- ▶ **当砂轮被卡住或因为其他任何原因而中断切割时，要先关掉电动工具并握住工具不要动，直到砂轮完全停止转动。决不要试图当砂轮仍然运转时从切割线中拉出砂轮，否则会发生反弹。** 调查并采取校正措施以消除砂轮卡住的原因。
- ▶ **支撑住板材或超大工件可使得砂轮卡住和反弹的危险降到最低限度。** 大工件凭借自重而下垂。必须在工件靠近切割线处和砂轮两侧近工件边缘处放置支撑。

其它的警告事项



请佩戴护目镜。



请佩戴防尘面具。

- ▶ **让手始终远离锯割区域和金刚石锯片。你的另一只手始终握住辅助手柄。** 如果双手都握住切割机，就不会被锯片伤害。
- ▶ **不得接触工件的下面。** 护罩无法防护下方的锯片。
- ▶ **始终使用尺寸和轴心形状（菱形或圆形）配合得当的金刚石锯片。** 如果金刚石锯片与切割机夹装部件不符将引起偏心运转而导致失控。
- ▶ **不得使用损坏的和尺寸不符的垫圈和螺栓。** 使用损坏的或尺寸不符的垫圈和螺栓会导致操作失控。
- ▶ **使用老虎钳或其他的固定装置把工件固定在稳定的底座上。** 如果只是用手握住工件，或以身体顶住工件，工件仍然会摇晃，可能会造成操作失控。
- ▶ **佩戴护耳罩、护目镜、防尘面罩和手套。至少要以 FFP 2 等级的微粒过滤口罩充当防尘面罩。**
- ▶ **使用合适的侦测装置侦察隐藏的电线，或者向当地的相关单位寻求支援。** 接触电线可能引起火灾并让操作者触电。损坏了瓦斯管会引起爆炸。凿穿水管不仅会造成严重的财物损失，也可能导致触电。
- ▶ **工作结束后，如果切割片尚未冷却，不可以触摸切割片。** 工作时切割片会变得非常灼热。

26 | 中文

- ▶ **工作时必须用双手握紧电动工具，并且要确保立足稳固。** 使用双手比较能够握稳电动工具。

产品和功率描述



阅读所有的警告提示和指示。 如未确实遵循警告提示和指示，可能导致电击、火灾并且 / 或其他的严重伤害。

按照规定使用机器

本电动工具适合在高矿物材料（例如大理石）上开槽缝或切割，切割时不须用水。务必在稳固的底垫上操作机器，并且要使用防护罩。不可以使用本机器切割木材、塑胶或金属。

插图上的机件

机件的编号和电动工具详解图上的编号一致。

- 1 起停开关
- 2 起停开关的锁紧键
- 3 锯深刻度
- 4 设定锯深的蝶翼螺丝
- 5 防护罩
- 6 金刚石切割片*
- 7 磨削主轴的旋转方向箭头
- 8 底座
- 9 手柄（绝缘握柄）
- 10 传动轴
- 11 O-形环
- 12 接头法兰
- 13 固定法兰
- 14 环形扳手
- 15 固定螺丝
- 16 内六角扳手

*图表或说明上提到的附件，并不包含在基本的供货范围中。本公司的附件清单中有完整的附件供应项目。

技术数据

云石切割机		GDC 140
物品代码		0 601 3A0 0..
额定输入功率	瓦	1400
无负载转速	次 / 分	13200
金刚石切割片的最大直径	毫米	110/115
最小切割片厚度	毫米	1.6
最大切割片厚度	毫米	2.2
接头孔径	毫米	20
最大锯割深度	毫米	32.5/35

本说明书提供的参数是以 230 V 为依据，于低电压地区，此数据有可能不同。

云石切割机		GDC 140
重量符合 EPTA-Procedure		
01:2014	公斤	2.9
绝缘等级		□/II

本说明书提供的参数是以 230 V 为依据，于低电压地区，此数据有可能不同。

安装

- ▶ **维修电动工具或换装零、配件之前，务必从插座上拔出插头并使金刚石锯片处于静止状态。**

吸尘功能

- ▶ 含铅的颜料以及某些木材、矿物和金属的加工废尘有害健康。机器操作者或者工地附近的人如果接触、吸入这些废尘，可能会有过敏反应或者感染呼吸道疾病。

某些尘埃（例如加工橡木或山毛榉的废尘）可能致癌，特别是和处理木材的添加剂（例如木材的防腐剂等）结合之后。只有经过专业训练的人才能够加工含石棉的物料。

- 工作场所要保持空气流通。
- 最好佩戴 P2 滤网等级的口罩。

请留心并遵守贵国和加工物料有关的法规。

- ▶ **避免让工作场所堆积过多的尘垢。** 尘埃容易被点燃。

安装 / 更换金刚石切割刀（参考插图 A）

- ▶ **安装和更换金刚石切割片时必须佩戴防护手套。**
- ▶ **工作时金刚石切割片会变得非常炙热，在切割片未冷却之前勿触摸。**
- ▶ **只能使用大小正确的金刚石切割片。切割片的接头孔尺寸必须和技术数据上提供的尺寸相符。**
- ▶ **只能使用镶了金刚石的切割片。分段的金刚石切割片只能呈现负棱角而且最大的边隙为 10 毫米。**

安装金刚石切割片

- 清洁金刚石切割片 6 和所有即将安装的固定零件。
- 将固定法兰 12 带着 O 型环 11 套到驱动轴 10 上。
- 将金刚石切割片 6 安装在接头法兰 12 上。金刚石切割片 6 上的箭头方向，必须和防护罩 5 上的箭头方向一致。
- 套上固定法兰 13 并拧入固定螺丝 15。
- 使用环形扳手 14 固定住固定法兰 13 接着以内六角扳手 16 拧紧固定螺丝 15。

拆卸金刚石切割片

- 使用环形扳手 14 固定住固定法兰 13 接着以内六角扳手 16 拧松固定螺丝 15。
- 从传动轴 10 上拿下固定法兰 13 和其切割片 6。

操作

操作功能

- ▶ **维修电动工具或换装零、配件之前，务必从插座上拔出插头并使金刚石锯片处于静止状态。**

设定铣削深度（参考插图 B）

- ▶ **必须先关闭电动工具，之后才能够设定铣削深度。**

根据工件的厚度调整好锯深。金刚石切割片必须突出于工件约 2 毫米，才能够确保最佳的锯割效果。

- 拧松蝶翼螺丝 4。缩小锯深时要将电动工具拉离底座 8。加大锯深时要将电动工具推向底座 8。在锯深刻度 3 上调正好需要的深度。再度拧紧蝶翼螺丝 4。

操作机器

- ▶ **注意电源的电压！电源的电压必须和电动工具铭牌上标示的电压一致。**

开动 / 关闭

为了节约能源，只在当您使用机器时，才开动电动工具。

- 操作电动工具时先按下电动工具的起停开关 1，并持续按着。
- 按下锁紧键 2 即可锁定被按住的起停开关 1。
- 放开起停开关 1 即可关闭电动工具。如果起停开关被锁紧键 2 固定了，先按下起停开关 1 并随即将其放开。
- ▶ 使用前，先检查是否已经正确地安装好金刚石切割片，观察金刚石切割片转动时会不会产生摩擦，并且要进行至少 1 分钟的无负载试机。切勿使用损坏、变形或转动时会震动的金刚石切割片。损坏的金刚石切割片可能断裂并造成伤害。

有关操作方式的指点

- ▶ 在支撑墙上开缝时必须特别小心，参考 "有关静力学的注意事项"。
- ▶ 勿让电动工具因为过载而停止转动。
- ▶ 强烈过载之后必须让电动工具在无载的状况下运转数分钟，这样能够帮助电动工具冷却。
- ▶ 当您在硬的矿物材料，例如大理石，上锯割超过 20 毫米的槽缝时，最好多进行几次锯割的工作，以防止马达超荷。
- ▶ 固定好站立不稳的工件。
- ▶ 本电动工具只能进行乾式切割。
- ▶ 工作时金刚石切割片会变得非常炙热，在切割片未冷却之前勿触摸。

保护切割片免受冲、撞，切割片要远离油渍。不可以使用侧压的方式，制止切割片继续转动。

不可以使用侧压的方式来制止仍然继续转动的切割片。

切割高硬度的工件时，例如碎石含量很高的水泥，可能因为金刚石切割片过热而导致切割片损坏。如果切割工件过硬，操作机器时金刚石切割片的周围会出现火花。

此时必须停下工作，让切割片在空载的状况下以最高转速运作片刻，如此可以帮助降低切割片的温度。

如果切割片的切割效率明显降低，而且进行切割时会出现火花环，则表示金刚石切割片已经变钝。如果发生上述状况，可以把切割片在研磨材料上（例如石灰砂石）来回打磨数次，这样切割片又会锋利如初。

锯割方向（参考插图 C）

必须逆著机器的转向推动电动工具，否则容易失控，并导致电动工具从切线中滑出。

有关静力学的注意事项

关于在支撑墙上开缝时应该注意的事项，请参考 DIN 1053 第一部上的规定，或各国有关的法规。务必确实遵循相关的法令规定。正式动工以前，先向负责的静力学者，工程师或工程负责人请教有关细节。

维修和服务

维修和清洁

- ▶ **维修电动工具或换装零、配件之前，务必从插座上拔出插头并使金刚石锯片处于静止状态。**
- ▶ **电动工具和通风间隙都必须保持清洁，这样才能够提高工作品质和安全性。**

如果必须更换连接线，务必把这项工作交给博世或者经授权的博世电动工具客户服务执行，以避免危害机器的安全性能。

小心地保存和使用附件。

顾客服务处和顾客咨询中心

本公司顾客服务处负责回答有关本公司产品的修理、维护和备件的问题。以下的网页中有爆炸图和备件的资料：

www.bosch-pt.com

博世顾客咨询团队非常乐意为您解答有关本公司产品及附件的问题。

如需查询和订购备件，请务必提供产品型号铭牌上的 10 位数货号。

有关保证，维修或更换零件事宜，请向合格的经销商查询。

28 | 中文

中国大陆

博世电动工具（中国）有限公司
 中国 浙江省 杭州市
 滨江区滨康路 567 号
 邮政编码：310052
 免费服务热线：4008268484
 传真：(0571) 87774502
 电邮：contact.ptcn@cn.bosch.com
 www.bosch-pt.com.cn

羅伯特·博世有限公司
 香港北角英皇道 625 號 21 樓
 客戶服務熱線：+852 2101 0235
 傳真：+852 2590 9762
 電郵：info@hk.bosch.com
 網站：www.bosch-pt.com.hk

制造商地址：

Robert Bosch Power Tools GmbH
 羅伯特·博世电动工具有限公司
 70538 Stuttgart / GERMANY
 70538 斯图加特 / 德国

处理废弃物

必须以符合环保的方式，回收再利用损坏的机器、附件和废弃的包装材料。



不可以把电动工具丢入家庭垃圾中！

保留修改权。**中文****安全規章****電動工具通用安全警告**

警告 閱讀所有警告和所有說明。不遵照以下警告和說明會導致電擊、著火和/或嚴重傷害。

保存所有警告和說明書以備查閱。

在所有下列的警告中術語“電動工具”指市電驅動（有線）電動工具或電池驅動（無線）電動工具。

工作場地的安全

- ▶ **保持工作場地清潔和明亮。** 混亂和黑暗的場地會引發事故。
- ▶ **不要在易爆環境，如有易燃液體、氣體或粉塵的環境下操作電動工具。** 電動工具產生的火花會點燃粉塵或氣體。
- ▶ **讓兒童和旁觀者離開後操作電動工具。** 注意力不集中會使你失去對工具的控制。

電氣安全

- ▶ **電動工具插頭必須與插座相配。絕不能以任何方式改裝插頭。** 需接地的電動工具不能使用任何轉換插頭。未經改裝的插頭和相配的插座將減少電擊危險。
- ▶ **避免人體接觸接地表面，如管道、散熱片和冰箱。** 如果你身體接地會增加電擊危險。
- ▶ **不得將電動工具暴露在雨中或潮濕環境中。** 水進入電動工具將增加電擊危險。
- ▶ **不得濫用電線。** 絕不能用電線搬運、拉動電動工具或拔出其插頭。使電線遠離熱源、油、銳邊或運動部件。受損或纏繞的軟線會增加電擊危險。
- ▶ **當在戶外使用電動工具時，使用適合戶外使用的外接軟線。** 適合戶外使用的軟線，將減少電擊危險。
- ▶ **如果在潮濕環境下操作電動工具是不可避免的，應使用剩餘電流動作保護器（RCD）。** 使用 RCD 可減少電擊危險。

人身安全

- ▶ **保持警覺，當操作電動工具時關注所從事的操作並保持清醒。** 當你感到疲倦，或在有藥物、酒精或治療反應時，不要操作電動工具。在操作電動工具時瞬間的疏忽會導致嚴重人身傷害。
- ▶ **使用個人防護裝置。始終佩戴護目鏡。** 安全裝置，諸如適當條件下使用防塵面具、防滑安全鞋、安全帽、聽力防護等裝置能減少人身傷害。
- ▶ **防止意外起動。確保開關在連接電源和/或電池盒、拿起或搬運工具時處於關斷位置。** 手指放在已接通電源的開關上或開關處於接通時插入插頭可能會導致危險。
- ▶ **在電動工具接通之前，拿掉所有調節鑰匙或扳手。** 遺留在電動工具旋轉零件上的扳手或鑰匙會導致人身傷害。
- ▶ **手不要伸展得太長。時刻注意立足點和身體平衡。** 這樣在意外情況下能很好地控制電動工具。
- ▶ **著裝適當。不要穿寬鬆衣服或佩戴飾品。讓你的衣服、手套和頭髮遠離運動部件。** 寬鬆衣服、飾物或長髮可能會捲入運動部件中。
- ▶ **如果提供了與排屑、集塵設備連接用的裝置，要確保他們連接完好且使用得當。** 使用這些裝置可減少塵屑引起的危險。

電動工具使用和注意事項

- ▶ **不要濫用電動工具，根據用途使用適當的電動工具。** 選用適當設計的電動工具會使你工作更有效、更安全。
- ▶ **如果開關不能接通或關斷工具電源，則不能使用該電動工具。** 不能用開關來控制的電動工具是危險的且必須進行修理。

- ▶ 在進行任何調節、更換附件或貯存電動工具之前，必須從電源上拔掉插頭和 / 或使電池盒與工具脫開。這種防護性措施將減少工具意外起動的危險。
- ▶ 將閒置不用的電動工具貯存在兒童所及範圍之外，並且不要讓不熟悉電動工具或對這些說明不瞭解的人操作電動工具。電動工具在未經培訓的用戶手中是危險的。
- ▶ 保養電動工具。檢查運動件是否調整到位或卡住，檢查零件破損情況和影響電動工具運行的其他狀況。如有損壞，電動工具應在使用前修理好。許多事故由維護不良的電動工具引發。
- ▶ 保持切削刀具鋒利和清潔。保養良好的有鋒利切削刃的刀具不易卡住而且容易控制。
- ▶ 按照使用說明書，考慮作業條件和進行的作業來使用電動工具、附件和工具的刀頭等。將電動工具用於那些與其用途不符的操作可能會導致危險。

檢修

- ▶ 將你的電動工具送交專業維修人員，必須使用同樣的備件進行更換。這樣將確保所維修的電動工具的安全性。

針對分割研磨機的安全規章

- ▶ 必須固定好電動工具專屬的防護罩，並且把它調整在最具安全性的位置，只能有最小部分的砂輪暴露在操作者前面。您自己和附近的人都要遠離旋轉中的砂輪。防護罩必須能夠保護操作者免受到爆裂砂輪碎片割傷，避免操作者偶然觸及砂輪。
- ▶ 只能使用您的電動工具專用的金剛石分割片。就算能將附件固定在電動工具上，也未必能確保它的使用安全。
- ▶ 附件的額定速度必須至少等於電動工具上標出的最大速度。附件以比其額定速度大的速度運轉會發生爆裂和飛濺。
- ▶ 只能根據我們的推薦用途使用砂輪。例如：千萬不可以使用分割片的側面研磨。分割片是利用它的邊緣來割除物料。從側面對研磨體施壓會造成研磨體破裂。
- ▶ 要使用無損的固定法蘭，根據您所使用的砂輪選擇尺寸正確的法蘭。合適的法蘭可以支撐砂輪並降低砂輪破裂的危險。
- ▶ 附件的外徑和厚度必須在電動工具額定能力範圍之內。不正確的附件尺寸不能得到充分防護或控制。
- ▶ 砂輪和法蘭的軸孔必須與電動工具的主軸完全吻合。帶軸孔的，與電動工具安裝件不配的附件將會失穩，過度振動並會引起失控。
- ▶ 不要使用損壞的砂輪。在每次使用前要檢查砂輪是否產生剝落和存在裂縫。如果電動工具或砂輪跌落了，要檢查上述構件是否有損壞或安裝沒有損壞的砂輪。檢查和安裝好砂輪後，您自己和附近的人都要遠離旋轉中的砂輪。並讓電動工具以最大空載速

度運行 1 分鐘。損壞的砂輪通常會在這段試驗時間內碎裂。

- ▶ 戴上防護用品。根據適用情況，使用面罩，安全護目鏡或安全眼鏡。適用時，戴上防塵面具，聽力保護器，手套和能擋小磨料或工件碎片的工作圍裙。眼防護罩必須擋住各種操作產生的飛屑。防塵面具或口罩必須能夠過濾操作產生的顆粒。長期暴露在高強度噪音中會引起失聰。
- ▶ 讓旁觀者與工作區域保持一安全距離。任何進入工作區域的人必須戴上防護用品。工件或破損附件的碎片可能會飛出並引起緊靠著操作區域的旁觀者的傷害。切割附件觸及帶電導線會使電動工具外露的金屬零件帶電，並使操作者觸電。
- ▶ 當在切割附件有可能切割到暗線或自身電線的場所進行操作時，只能通過絕緣握持面來握持電動工具。切割附件碰到一根帶電導線會使電動工具外露的金屬零件帶電並使操作者發生電擊危險。
- ▶ 電線要遠離旋轉中的安裝件。如果控制不當，電線可能被切斷或纏繞住，您的手或手臂可能被卷入旋轉的安裝件中。
- ▶ 直到安裝件完全停止運動才放下電動工具。並且不得使用任何外力迫使金剛石切割片停轉。仍然旋轉的安裝件可能會割損放置處的表面並拉動電動工具而讓你失去對工具的控制。
- ▶ 當攜帶電動工具時不要開動它。意外地觸及旋轉附件可能會纏繞你的衣服而使附件傷害身體。
- ▶ 經常清理電動工具的通風口。電動機風扇會將灰塵吸進機殼，過多的金屬粉末沉積會導致電氣危險。
- ▶ 不要在易燃材料附近操作電動工具。火星可能會點燃這些材料。
- ▶ 不要使用需用冷卻液的附件。用水或其他冷卻液可能導致電腐蝕或電擊。

反彈和相關警告

- ▶ 反彈是因卡住或纏繞住的砂輪而產生的突然反作用力。卡住或纏繞會引起旋轉中的安裝件迅速堵轉，隨之使失控的電動工具在卡住點產生與安裝件旋轉方向相反的運動。
例如，如果砂輪被工件纏繞或卡住了，陷入卡住點的砂輪邊緣可能會被材料表面絆住而造成砂輪破裂或產生反彈。砂輪可能飛向或飛離操作者，這取決於砂輪在卡住點的運動方向。在此狀況下砂輪也可能碎裂。
反彈是因為誤用電動工具和 / 或不正確的操作工序或條件而造成。透過執行以下的預防措施可以避免產生反彈。
- ▶ 保持緊握電動工具，使你的身體和手臂處於正確狀態以抵抗反彈力。如有輔助手柄，則要一直使用，以便最大限度控制住起動時的反彈力或反力矩。如採取合適的預防措施，操作者就可以控制反力矩或反彈力。

30 | 中文

- ▶ **絕不能將手靠近旋轉附件。** 附件可能會反彈碰到手。
- ▶ **身體不要對著旋轉砂輪，也不要站在其後。** 反彈時，電動工具將由纏繞點朝著砂輪運動方向的逆向運動。
- ▶ **當在尖角、銳邊等處作業時要特別小心。** 避免附件的彈跳和纏繞。尖角、銳邊和彈跳具有纏繞旋轉附件的趨勢並引起反彈的失控。
- ▶ **不要附裝上鋸鏈、木雕刀片、鑲金剛石且邊緣大過 10 毫米的鋸片或帶齒鋸片。** 這些安裝件容易產生反彈並且造成電動工具失控。
- ▶ **不要“夾”住切割砂輪或對砂輪施加過大的壓力。** 不要試圖做過深的切割。給砂輪施加過度的應力會增加砂輪在切割時的負載，砂輪容易纏繞或卡住，而且也增加了反彈或砂輪爆裂的可能性。
- ▶ **當砂輪被卡住或因為其他任何原因而中斷切割時，要先關掉電動工具並握住工具不要動，直到砂輪完全停止轉動。決不要試圖當砂輪仍然運轉時從切割線中拉出砂輪，否則會發生反彈。** 調查並採取校正措施以消除砂輪卡住的原因。
- ▶ **不得在切割片與工件接觸的情況下啟動切割機，不能在工件上重新啟動切割操作。** 讓砂輪達到全速後再小心地重新進入切割。如果電動工具在工件上重新啟動，砂輪可能會卡住，爬出或反彈。
- ▶ **支撐住板材或超大工件可使得砂輪卡住和反彈的危險降到最低限度。** 大工件憑借自重而下垂。必須在工件靠近切割線處和砂輪兩側近工件邊緣處放置支承。
- ▶ **當進行“盲切割”進入牆體或其他盲區時要格外小心。** 伸出的砂輪可能會割到煤氣管或水管，電線或由此引起反彈的物體。

其它的警告事項



請佩戴護目鏡。



請佩戴防塵面具。

- ▶ **使用老虎鉗或其他的固定裝置把工件 固定在穩定的底墊上。** 如果只是用手握住工件，或以 身體頂住工件，工件仍然會搖晃，可能會造成操作失控。
- ▶ **佩戴護耳罩、護目鏡、防塵面罩和手套。** 至少要以 FFP 2 等級的微粒過濾口罩充當防塵面罩。
- ▶ **使用合適的偵測裝置偵察隱藏的電線，或者向當地的相關單位尋求支援。** 接觸電線可能引起火災並讓操作者觸電。損壞了瓦斯管會引起爆炸。鑿穿水管不僅會造成嚴重的財物損失，也可能導致觸電。

- ▶ **工作結束後，如果切割片尚未冷卻，不可以觸摸切割片。** 工作時切割片會變得非常灼熱。
- ▶ **工作時必須用雙手握緊電動工具，並且要確保立足穩固。** 使用雙手比較能夠握穩電動工具。

產品和功率描述



閱讀所有的警告提示和指示。如未確實遵循警告提示和指示，可能導致電擊、火災並且 / 或其他的嚴重傷害。

按照規定使用機器

本電動工具適合在高礦物材料（例如大理石）上開槽縫或切割，切割時不須用水。務必在穩固的底墊上操作機器，並且要使用防護罩。不可以使用本機器切割木材、塑膠或金屬。

插圖上的機件

機件的編號和電動工具詳解圖上的編號一致。

- 1 起停開關
- 2 起停開關的鎖緊鍵
- 3 鋸深刻度
- 4 設定鋸深的蝶翼螺絲
- 5 防護罩
- 6 金剛石切割片*
- 7 磨削主軸的旋轉方向指示箭頭
- 8 底座
- 9 手柄（絕緣握柄）
- 10 傳動軸
- 11 O 形環
- 12 接頭法蘭
- 13 固定法蘭
- 14 環形扳手
- 15 固定螺絲
- 16 內六角扳手

*圖表或說明上提到的附件，並不包含在基本的供貨範圍中。本公司的附件清單中有完整的附件供應項目。

技術性數據

雲石切割機	GDC 140	
物品代碼	0 601 3A0 0..	
額定輸入功率	瓦	1400
無負載轉速	次 / 分	13200
金剛石切割片的最大直徑	毫米	110 / 115
最小切割片厚度	毫米	1.6
最大切割片厚度	毫米	2.2
接頭孔徑	毫米	20
本說明書提供的參數是以 230 伏特為依據，於低電壓地區，此數據有可能不同。		

鑽石切割機		GDC 140
最大鋸割深度	毫米	32.5 / 35
重量符合 EPTA-Procedure 01:2014	公斤	2.9
絕緣等級		□ / II

本說明書提供的參數是以 230 伏特為依據，於低電壓地區，此數據有可能不同。

安裝

- ▶ **維修電動工具或換裝零、配件之前，務必從插座上拔出插頭。**

吸塵功能

- ▶ 含鉛的顏料以及某些木材、礦物和金屬的加工廢塵有害健康。機器操作者或者工地附近的人如果接觸、吸入這些廢塵，可能會有過敏反應或者感染呼吸道疾病。

某些塵埃（例如加工橡木或山毛櫸的廢塵）可能致癌，特別是和處理木材的添加劑（例如木材的防腐劑等）結合之後。只有經過專業訓練的人才能夠加工含石棉的物料。

- 工作場所要保持空氣流通。
- 最好佩戴 P2 濾網等級的口罩。

請留心並遵守貴國和加工物料有關的法規。

- ▶ **避免讓工作場所堆積過多的塵垢。** 塵埃容易被點燃。

安裝 / 更換金剛石切割刀（參考插圖 A）

- ▶ 安裝和更換金剛石切割片時必須佩戴防護手套。
- ▶ 工作時金剛石切割片會變得非常炙熱，在切割片未冷卻之前勿觸摸。
- ▶ 只能使用大小正確的金剛石切割片。切割片的接頭孔尺寸必須和技術數據上提供的尺寸相符。
- ▶ 只能使用鑲了金剛石的切割片。分段的金剛石切割片只能呈現負鋸角而且最大的邊隙為 10 毫米。

安裝金剛石切割片

- 清潔金剛石切割片 6 和所有即將安裝的固定零件。
- 固定法蘭 12 先裝上 O 形環 11 後再套到驅動主軸 10 上。
- 將金剛石切割片 6 安裝在接頭法蘭 12 上。金剛石切割片 6 上的箭頭方向，必須和防護罩 5 上的箭頭方向一致。
- 套上固定法蘭 13 並擰入固定螺絲 15。
- 使用環形扳手 14 固定住固定法蘭 13 接著以內六角扳手 16 擰緊固定螺絲 15。

拆卸金剛石切割片

- 使用環形扳手 14 固定住固定法蘭 13 接著以內六角扳手 16 擰松固定螺絲 15。
- 從傳動軸 10 上拿下固定法蘭 13 和其切割片 6。

操作

操作方式

- ▶ **維修電動工具或換裝零、配件之前，務必從插座上拔出插頭。**

設定銑割深度（參考插圖 B）

- ▶ **必須先關閉電動工具，之後才能夠設定銑割深度。**

根據工件的厚度調整好鋸深。金剛石切割片必須突出于工件約 2 毫米，才能夠確保最佳的鋸割效果。

- 擰松蝶翼螺絲 4。縮小鋸深時 要將電動工具拉離底座 8。加大鋸深時 要將電動工具推向底座 8。在鋸深刻度 3 上調整好需要的深度。再度擰緊蝶翼螺絲 4。

操作機器

- ▶ **注意電源的電壓！電源的電壓必須和電動工具銘牌上標示的電壓一致。**

開動 / 關閉

為了節約能源，只在當您要使用機器時，才開動電動工具。

- 操作電動工具時先按下電動工具的起停開關 1，並持續按著。
- 按下鎖緊鍵 2 即可鎖定被按住的起停開關 1。
- 放開起停開關 1 即可關閉電動工具。如果起停開關被鎖緊鍵 2 固定了，先按下起停開關 1 並隨即將其放開。
- ▶ 使用前，先檢查是否已經正確地安裝好金剛石切割片，觀察金剛石切割片轉動時會不會產生磨擦，並且要進行至少 1 分鐘的無負載試機。切勿使用損壞、變形或轉動時會震動的金剛石切割片。損壞的金剛石切割片可能斷裂並造成傷害。

有關操作方式的指點

- ▶ 在支撐牆上開縫時必須特別小心，參考 "有關靜力學的注意事項"。
- ▶ 勿讓電動工具因為過載而停止轉動。
- ▶ 強烈過載之後必須讓電動工具在無載的狀況下運轉數分鐘，這樣能夠幫助電動工具冷卻。
- ▶ 當您在硬的礦物材料，例如大理石，上鋸割超過 20 毫米的槽縫時，最好多進行幾次鋸割的工作，以防止馬達超荷。
- ▶ 固定好站立不穩的工件。
- ▶ 本電動工具只能夠進行乾式切割。
- ▶ 工作時金剛石切割片會變得非常炙熱，在切割片未冷卻之前勿觸摸。

保護切割片免受衝、撞，切割片要遠離油漬。不可以使用側壓的方式，制止切割片繼續轉動。

32 | ภาษาไทย

不可以使用側壓的方式來制止仍然繼續轉動的切割片。

切割高硬度的工件時，例如碎石含量很高的水泥，可能因為金剛石切割片過熱而導致切割片損壞。如果切割工件過硬，操作機器時金剛石切割片的周圍會出現火花。

此時必須停下工作，讓切割片在空載的狀況下以最高轉速運作片刻，如此可以幫助降低切割片的溫度。

如果切割片的切割效率明顯降低，而且進行切割時會出現火花環，則表示金剛石切割片已經變鈍。如果發生上述狀況，可以把切割片在研磨材料上（例如石灰砂石）來回刷磨數次，這樣切割片又會鋒利如初。

鋸割方向（參考插圖 C）

必須逆著機器的轉向推動電動工具，否則容易失控，並導致電動工具從切線中滑出。

有關靜力學的注意事項

關於在支撐牆上開縫時應該注意的事項，請參考 DIN 1053 第一部上的規定，或各國有關的法規。務必確實遵循相關的法令規定。正式動工以前，先向負責的靜力學者，工程師或工程負責人請教有關細節。

維修和服務

維修和清潔

- ▶ **維修電動工具或換裝零、配件之前，務必從插座上拔出插頭。**
- ▶ **電動工具和通風間隙都必須保持清潔，這樣才能夠提高工作品質和安全性。**

如果必須更換連接線，務必把這項工作交給博世或者經授權的博世電動工具顧客服務執行，以避免危害機器的安全性能。

小心地保存和使用附件。

顧客服務處和顧客諮詢中心

本公司顧客服務處負責回答有關本公司產品的修理、維護和備件的問題。以下的網頁中有爆炸圖和備件的資料：

www.bosch-pt.com

博世顧客諮詢團隊非常樂意為您解答有關本公司產品及附件的問題。

當您需要諮詢或訂購備用零組件時，請務必提供本產品型號銘牌上的 10 位項目編號。

台灣

台灣羅伯特博世股份有限公司

建國北路一段 90 號 6 樓

台北市 10491

電話：(02) 2515 5388

傳真：(02) 2516 1176

www.bosch-pt.com.tw

製造商地址：

Robert Bosch Power Tools GmbH
羅伯特·博世電動工具有限公司
70538 Stuttgart / GERMANY
70538 斯圖加特 / 德國

處理廢棄物

必須以符合環保的方式，回收再利用損壞的機器、附件和廢棄的包裝材料。



不可以把電動工具丟入家庭垃圾中。

保留修改權。

ภาษาไทย

กฎระเบียบเพื่อความปลอดภัย

คำเตือนทั่วไปเพื่อความปลอดภัยในการใช้เครื่องมือไฟฟ้า

⚠ คำเตือน ต้องอ่านคำเตือนเพื่อความปลอดภัยและคำสั่งทั้งหมด การไม่ปฏิบัติตามคำเตือนและคำสั่งอาจเป็นสาเหตุให้ถูกไฟฟ้าดูด เกิดไฟไหม้ และ/หรือได้รับบาดเจ็บอย่างร้ายแรง

เก็บรักษาคำเตือนและคำสั่งทั้งหมดสำหรับเปิดอ่านในภายหลัง

คำว่า "เครื่องมือไฟฟ้า" ในคำเตือนหมายถึง เครื่องมือไฟฟ้าของท่านที่ทำงานด้วยพลังงานไฟฟ้าที่ต่อจากเต้าเสียบ (มีสายไฟฟ้า) และเครื่องมือไฟฟ้าที่ทำงานด้วยพลังงานไฟฟ้าจากแบตเตอรี่ (ไร้สาย)

ความปลอดภัยในสถานที่ทำงาน

- ▶ **รักษาสถานที่ทำงานให้สะอาดและมีไฟส่องสว่างดี** สถานที่ที่มีมืดหรือรกรุงรังนำมาซึ่งอุบัติเหตุ
- ▶ **อย่าใช้เครื่องมือไฟฟ้าในสภาพแวดล้อมที่เสี่ยงต่อการติดระเบิดได้ เช่น ในที่มีของเหลว แก๊ส หรือฝุ่นที่ติดไฟได้** เมื่อใช้เครื่องมือไฟฟ้าจะเกิดประกายไฟซึ่งอาจจุดฝุ่นหรือไอให้ลุกเป็นไฟได้
- ▶ **ขณะใช้เครื่องมือไฟฟ้าทำงาน ต้องกั้นเด็กและผู้ยืนดูให้ออกห่าง** การหันเหความสนใจอาจทำให้ท่านขาดการควบคุมเครื่องได้

ความปลอดภัยเกี่ยวกับไฟฟ้า

- ▶ **ปลั๊กของเครื่องมือไฟฟ้าต้องมีขนาดพอดีกับเต้าเสียบ** อย่าตัดแปลงหรือแก้ไขตัวปลั๊กอย่างเด็ดขาด อย่าต่อปลั๊กต่อใดๆ เข้ากับเครื่องมือไฟฟ้าที่มีสายดิน ปลั๊กที่ไม่ตัดแปลงและเต้าเสียบที่เข้ากันช่วยลดความเสี่ยงจากการถูกไฟฟ้าดูด
- ▶ **หลีกเลี่ยงไม่ให้ร่างกายสัมผัสกับพื้นผิวของสิ่งของที่อยู่ต่อสายดินไว้ เช่น ท่อ เครื่องทำความร้อน เตา และ**

ตู้เย็น จะเสี่ยงอันตรายจากการถูกไฟฟ้าดูดมากขึ้นหากกระแสไฟฟ้าวิ่งผ่านร่างกายของท่านลงดิน

- ▶ **อย่าวางเครื่องมือไฟฟ้าตากฝนหรือทิ้งไว้ในที่ชื้นและหากน้ำเข้าในเครื่องมือไฟฟ้า จะเพิ่มความเสี่ยงจากการถูกไฟฟ้าดูด**
- ▶ **อย่าใช้สายไฟฟ้าอย่างผิดๆ อย่าถือเครื่องมือไฟฟ้าที่สาย อย่าใช้สายแวนเครื่อง หรืออย่าดึงสายไฟฟ้าเพื่อถอดปลั๊กออกจากเต้าเสียบ กันสายไฟฟ้าออกห่างจากความร้อน น้ำมัน ขอบแหลมคม หรือส่วนของเครื่องที่กำลังเคลื่อนไหว สายไฟฟ้าที่ชำรุดหรือพันกันยุ่ง เพิ่มความเสี่ยงจากการถูกไฟฟ้าดูด**
- ▶ **เมื่อใช้เครื่องมือไฟฟ้าทางกลางแจ้ง ให้ใช้สายไฟต่อที่ได้รับการรับรองให้ใช้ต่อในที่กลางแจ้งเท่านั้น การใช้สายไฟต่อที่เหมาะสมสำหรับงานกลางแจ้งช่วยลดอันตรายจากการถูกไฟฟ้าดูด**
- ▶ **หากไม่สามารถหลีกเลี่ยงการใช้เครื่องมือไฟฟ้าทำงานในสถานที่เปียกชื้นได้ ให้ใช้สวิตช์ตัดวงจรเมื่อเกิดการรั่วไหลของไฟฟ้าจากสายดินช่วยลดความเสี่ยงต่อการถูกไฟฟ้าดูด**

ความปลอดภัยของคุณ

- ▶ **ท่านต้องอยู่ในสภาพพร้อมพร้อม ระมัดระวังในสิ่งที่กำลังทำอยู่ และมีสติขณะใช้เครื่องมือไฟฟ้าทำงาน อย่าใช้เครื่องมือไฟฟ้าขณะที่ท่านกำลังเหนื่อย หรืออยู่ภายใต้การครอบงำของฤทธิ์ของยาเสพติด แอลกอฮอล์ และยา เมื่อใช้เครื่องมือไฟฟ้าทำงาน ในชั่วนาทีที่ท่านขาดความเอาใจใส่อาจทำให้บุคคลบาดเจ็บอย่างรุนแรงได้**
- ▶ **ใช้อุปกรณ์ปกป้องร่างกาย สวมแว่นตาป้องกันเสมอ อุปกรณ์ปกป้อง เช่น หน้ากากกันฝุ่น รองเท้านิรภัย หมวกแข็ง หรือประภทกันเสียงดัง ที่เลือกใช้ตามความเหมาะสมกับสภาพการทำงาน สามารถลดอันตรายต่อบุคคลได้**
- ▶ **ป้องกันการติดเครื่องโดยไม่ตั้งใจ ต้องดูให้แน่ใจว่าสวิตช์อยู่ในตำแหน่งปิดก่อนเสียบปลั๊กไฟเข้าไปในเต้าเสียบ และ/หรือใส่แท่งเบรคเตอร์ ยุกขึ้นหรือถือเครื่องมือ การถือเครื่องโดยใช้นิ้วหัวที่สวิตช์ หรือเสียบปลั๊กไฟขณะสวิตช์เปิดอยู่ อาจนำไปสู่อุบัติเหตุที่ร้ายแรงได้**
- ▶ **เอาเครื่องมือปรับแต่งหรือประแจปากตายออกจากเครื่องมือไฟฟ้าก่อนเปิดสวิตช์ เครื่องมือหรือประแจปากตายที่วางอยู่กับส่วนของเครื่องที่กำลังหมุนจะทำให้บุคคลบาดเจ็บได้**
- ▶ **หลีกเลี่ยงการตัดง่าที่ผิดปกติ ตั้งทำยีนที่มั่นคงและวางน้ำหนักให้สมดุลตลอดเวลา ในลักษณะนี้ท่านสามารถควบคุมเครื่องมือไฟฟ้าในสถานการณ์ที่ไม่คาดคิดได้ดีกว่า**
- ▶ **ใส่เสื้อผ้าที่เหมาะสม อย่าใส่เสื้อผ้าหลวมหรือสวมเครื่องประดับ เอาผม เลือ่ผ้า และถุงมือออกห่างส่วนของเครื่องที่กำลังหมุน เสื้อผ้าหลวม เครื่องประดับ และผมยาวอาจเข้าไปติดในส่วนของเครื่องที่กำลังหมุนได้**
- ▶ **หากต้องต่อเครื่องมือไฟฟ้าเข้ากับเครื่องดูดฝุ่นหรือเครื่องเก็บผง ดูให้แน่ใจว่าการเชื่อมต่อและการใช้งานเป็นไปอย่างถูกต้อง การใช้อุปกรณ์ดูดฝุ่นช่วยลดอันตรายที่เกิดจากฝุ่นได้**

การใช้และการดูแลรักษาเครื่องมือไฟฟ้า

- ▶ **อย่าใช้เครื่องมือไฟฟ้าอย่างหักโหม ใช้เครื่องมือไฟฟ้าที่ถูกต้องตรงตามลักษณะงาน เครื่องมือไฟฟ้าที่ถูกต้องจะทำงานได้ดีกว่าและปลอดภัยกว่าในระดับสมรรถภาพที่ออกแบบไว้**
- ▶ **อย่าใช้เครื่องมือไฟฟ้าที่สวิตช์เปิดปิดเสีย เครื่องมือไฟฟ้าที่ไม่สามารถควบคุมการเปิดปิดด้วยสวิตช์ได้ เป็นเครื่องมือไฟฟ้าที่ไม่ปลอดภัยและต้องส่งซ่อมแซม**
- ▶ **ก่อนปรับแต่งเครื่อง เปลี่ยนอุปกรณ์ประกอบ หรือเก็บเครื่องเข้าที่ ต้องถอดปลั๊กไฟออกจากเต้าเสียบและ/หรือถอดแท่งเบรคเตอร์ออกจากเครื่องมือไฟฟ้า มาตรการป้องกันเพื่อความปลอดภัยนี้ช่วยลดความเสี่ยงจากการติดเครื่องโดยไม่ตั้งใจ**
- ▶ **เมื่อเลิกใช้งานเครื่องมือไฟฟ้า ให้เก็บเครื่องมือไฟฟ้าที่เด็กหยิบไม่ถึง และไม่อนุญาตให้บุคคลที่ไม่คุ้นเคยกับเครื่องหรือบุคคลที่ไม่ได้อ่านคำแนะนำนี้ใช้เครื่องมือไฟฟ้าเป็นของอันตรายหากตกอยู่ในมือของผู้ใช้ที่ไม่ได้รับการฝึกฝน**
- ▶ **เอาใจใส่ดูแลรักษาเครื่อง ตรวจหาส่วนที่เคลื่อนไหวได้ของเครื่องว่าวางอยู่ตรงแนวหรือติดขัดหรือไม่ ตรวจหาการแตกหักของชิ้นส่วนและสภาพอื่นใดที่อาจมีผลต่อการทำงานของเครื่องมือไฟฟ้า หากชำรุดต้องส่งเครื่องมือไฟฟ้าซ่อมแซมก่อนใช้งาน อุบัติเหตุหลายอย่างเกิดขึ้นเนื่องจากดูแลรักษาเครื่องมือไม่ดีพอ**
- ▶ **รักษาเครื่องมือตัดให้คมและสะอาด หากบำรุงรักษาเครื่องมือที่มีขอบตัดแหลมคมอย่างถูกต้อง จะสามารถตัดได้สั้น ไม่ติดขัดและความคมได้ง่ายกว่า**
- ▶ **ใช้เครื่องมือไฟฟ้า อุปกรณ์ประกอบ เครื่องมือ และอุปกรณ์อื่นๆ ให้ตรงตามคำแนะนำนี้ และในลักษณะตามที่เครื่องมือไฟฟ้าประเภทนั้นๆ กำหนดไว้ โดยต้องคำนึงถึงเงื่อนไขการทำงานและงานที่จะทำด้วย การใช้เครื่องมือไฟฟ้าทำงานที่ต่างไปจากวัตถุประสงค์การใช้งานของเครื่อง อาจนำไปสู่สถานการณ์ที่เป็นอันตรายได้**

การบริการ

- ▶ **ส่งเครื่องมือไฟฟ้าให้ช่างผู้เชี่ยวชาญตรวจสอบและใช้อะไหล่เปลี่ยนของแท้เท่านั้น ในลักษณะนี้ท่านจะแน่ใจได้ว่าเครื่องมือไฟฟ้าอยู่ในสภาพที่ปลอดภัย**

คำแนะนำเพื่อความปลอดภัยสำหรับเครื่องตัดออก

- ▶ **ต้องประกอบกระบังที่จัดส่งมากับเครื่องมือไฟฟ้าเข้ากับเครื่องมือไฟฟ้าให้แน่นหนาและปรับตำแหน่งให้ได้ความปลอดภัยสูงสุด เพื่อให้จานโผล่เข้าหาตัวผู้ใช้ เครื่องมือที่สุด ตัวท่านเองและตัวบุคคลที่อยู่ใกล้เคียงต้องออกห่างจากแนวระดับจานที่หมุน กระบังช่วยป้องกันผู้ใช้เครื่องจากเศษจานที่แตกออก และจากการสัมผัสกับจานโดยไม่ตั้งใจ**
- ▶ **ใช้เฉพาะจานตัดเพชรสำหรับเครื่องมือไฟฟ้าของท่านเท่านั้น ด้วยเหตุนี้เพราะท่านสามารถประกอบอุปกรณ์เข้ากับเครื่องมือไฟฟ้าของท่านได้ ก็มีได้เป็นการรับรองว่าท่านจะปฏิบัติงานได้อย่างปลอดภัย**
- ▶ **ความเร็วรอบกำหนดของอุปกรณ์ประกอบอย่างน้อยที่สุดต้องสูงเท่ากับความเร็วรอบกำหนดสูงสุดที่ระบุไว้บนเครื่องมือไฟฟ้า อุปกรณ์ประกอบที่หมุนเร็วกว่าความเร็วรอบกำหนดของตัวเองอาจกระเด็นออกเป็นชิ้นๆ**

34 | ภาษาไทย

- ▶ **ต้องใช้จานตามประโยชน์การใช้งานที่แนะนำเท่านั้น**
ตัวอย่าง เช่น อย่าใช้ด้านข้างของจานตัดสำหรับขัดวัสดุ จานตัดผลิตไว้เพื่อให้ใช้ตรงขอบนอกของจานขัดวัสดุ แรงดันข้างที่กดลงบนแผ่นจานเหล่านี้อาจทำให้จานแตกละเอียดได้
- ▶ **ใช้น็อตรองจานที่ไม่ชำรุดที่มีขนาดเส้นผ่าศูนย์กลางที่ถูกต้องสำหรับจานที่ท่านเลือกใช้เสมอ** น็อตรองจานที่ถูกต้องจะหนุนจาน และด้วยเหตุนี้จึงลดโอกาสที่จานจะแตกหัก
- ▶ **เส้นผ่าศูนย์กลางรอบนอกและความหนาของอุปกรณ์ประกอบของท่านต้องอยู่ในขีดความสามารถของเครื่องมือไฟฟ้าของท่าน** อุปกรณ์ประกอบผิดขนาดจะได้รับการปกป้องและควบคุมได้ไม่เพียงพอ
- ▶ **ปลอกแกนของจานและน็อตรองจานต้องมีขนาดเหมาะสมกับแกนเครื่องมือไฟฟ้า** จานและน็อตรองจานที่มีรูปลอกแกนไม่เข้าคู่กับแกนของเครื่องมือไฟฟ้าจะหมุนเสียหลัก สั่นตัวมาก และอาจทำให้ขาดการควบคุม
- ▶ **อย่าใช้จานที่ชำรุด** ก่อนใช้งานทุกครั้งให้ตรวจสอบจานเพื่อหารอยบิ่นและรอยแตกร้าว หากเครื่องมือไฟฟ้าหรือจานตกพื้น ให้ตรวจสอบความเสียหายหรือประกอบจานที่ไม่ชำรุดเข้า เมื่อตรวจสอบและใส่จานเสร็จแล้ว ตัวท่านเองและตัวบุคคลที่อยู่ใกล้เคียงต้องออกห่างจากแนวระตัมจานที่หมุน และเปิดเครื่องมือไฟฟ้าเดินตัวเปล่าที่ความเร็วรอบสูงสุดนาน 1 นาที ตามปกติจานที่ชำรุดจะแตกออกเป็นชิ้นๆ ในช่วงเวลาทดสอบวิ่งนี้
- ▶ **สวมอุปกรณ์ป้องกันเฉพาะตัว** สุดท้ายแต่กรณีให้ใช้กระบังป้องกันหน้า สวมแว่นตากันลมและฝุ่นหรือแว่นตาป้องกันอันตราย สุดท้ายแต่ความเหมาะสมให้สวมหมวกกันน็อก สวมประภทป้องกันเสียงดัง สวมถุงมือ และสวมหน้ากากป้องกันพิษที่สามารถกันผงขัดหรือเศษชิ้นงานออกจากตัวท่านได้ แวนป้องกันตาต้องสามารถหยุดเศษผงที่ปลิวว่อนที่เกิดจากการปฏิบัติงานแบบต่างๆ ได้ หน้ากากกันฝุ่นหรือหน้ากากป้องกันการติดเชื้อต้องสามารถกรองอนุภาคที่เกิดจากการปฏิบัติงานของท่านได้ การได้ยินเสียงดังมากเป็นเวลานานอาจทำให้ท่านสูญเสียการได้ยิน
- ▶ **กั้นบุคคลที่อยู่ใกล้เคียงให้อยู่ในระยะปลอดภัยห่างจากบริเวณทำงาน** บุคคลใดที่เข้ามายังบริเวณทำงานต้องสวมอุปกรณ์ป้องกันเฉพาะตัว เศษวัสดุชิ้นงานหรืออุปกรณ์ประกอบที่แตกหักอาจปลิวออกนอกจุดปฏิบัติงานและทำให้บาดเจ็บได้
- ▶ **เมื่อทำงานในบริเวณที่อุปกรณ์ตัดอาจสัมผัสกับสายไฟฟ้าที่ซ่อนอยู่หรือสายไฟฟ้าของเครื่อง** ต้องจับเครื่องมือไฟฟ้าตรงด้ามจับที่หุ้มฉนวนเท่านั้น หากอุปกรณ์ตัดสัมผัสกับสายที่มีกระแสไฟฟ้าไหลผ่านจะทำให้ส่วนที่เป็นโลหะของเครื่องมือไฟฟ้าเกิดมีกระแสไฟฟ้าด้วย และส่งผลให้ผู้ใช้เครื่องถูกไฟฟ้ากระตุกได้
- ▶ **จับสายไฟฟ้าออกจากอุปกรณ์ประกอบที่หมุน** หากท่านสูญเสียการควบคุม สายไฟฟ้าอาจถูกตัดขาดหรือถูกดึงรั้งไว้ และมือหรือแขนของท่านอาจถูกกระชากเข้าหาจานที่หมุน
- ▶ **อย่าวางเครื่องมือไฟฟ้าลงบนพื้นจนกว่าอุปกรณ์ประกอบจะหยุดหมุนและนิ่งอยู่กับที่แล้ว** จานที่หมุนอยู่

- อาจเฉี่ยวถูกพื้นและกระชากเครื่องมือไฟฟ้าออกจากการควบคุมของท่าน
- ▶ **อย่าเปิดเครื่องมือไฟฟ้าทำงานขณะถือเครื่องไว้ข้างตัว**
เสื้อผ้าของท่านอาจเกี่ยวพันกับอุปกรณ์ประกอบที่กำลังหมุนโดยไม่ตั้งใจ และจุดอุปกรณ์ประกอบเข้าหาร่างกายของท่านได้
- ▶ **ท่าความสะอาดของระบายอากาศของเครื่องมือไฟฟ้าอย่างสม่ำเสมอ** พัดลมของมอเตอร์จะดูดผงฝุ่นเข้าในหม้อครอบ และผงโลหะที่พอกสะสมกันมากๆ อาจทำให้เกิดอันตรายจากไฟฟ้าได้
- ▶ **อย่าใช้เครื่องมือไฟฟ้าทำงานใกล้วัตถุติดไฟได้** ประกายไฟสามารถจุดวัตถุเหล่านี้ให้ลุกเป็นไฟ
- ▶ **อย่าใช้อุปกรณ์ประกอบที่ต้องใช้สารหล่อเย็นที่เป็นของเหลว** การใช้น้ำหรือสารหล่อเย็นอื่นๆ ที่เป็นของเหลว อาจทำให้กระแสไฟฟ้าวิ่งผ่านเข้าตัวจนเสียชีวิตหรือถูกไฟฟ้ากระตุกได้

การตีกลับและค่าเดือนเกี่ยวเนื่อง

- ▶ การตีกลับคือแรงสะท้อนกะทันหันซึ่งเป็นผลจากการที่จานเกิดบิดหรือถูกเหนี่ยวรั้งขณะกำลังหมุน การบิดหรือการเหนี่ยวรั้งทำให้จานที่กำลังหมุนหยุดกะทันหัน ด้วยเหตุนี้เครื่องมือไฟฟ้าขาดการควบคุมจึงถูกผลักไปในทิศทางตรงกันข้ามกับการหมุนของจาน ณ จุดที่เกิดการติดขัด ตัวอย่าง เช่น หากจานขัดถูกเหนี่ยวรั้งหรือบิดโดยชิ้นงานขอบของจานที่จุ่มอยู่ในจุดบิดอาจขูดเข้าไปในผิวของชิ้นงาน ทำให้จานบินออกมาหรือตีกลับ จานอาจกระโดดเข้าหาหรือกระโดดออกจากผู้ใช้เครื่อง ทั้งนี้ขึ้นอยู่กับทิศทางเคลื่อนที่ของจาน ณ จุดบิด ในสถานการณ์เช่นนี้จานขัดอาจแตกหักได้ด้วย
- ▶ การตีกลับเป็นผลจากการใช้เครื่องมือไฟฟ้าอย่างผิดวิธี และ/หรือมีกระบวนการหรือเงื่อนไขการทำงานที่ไม่ถูกต้อง และสามารถหลีกเลี่ยงได้ด้วยการป้องกันไว้ก่อนอย่างถูกต้อง ดังคำแนะนำด้านล่างนี้
- ▶ **จับเครื่องมือไฟฟ้าให้แน่น และตั้งตัวและแขนในตำแหน่งด้านรับแรงตีกลับ** หากมีด้ามจับเพิ่ม ต้องใช้ด้ามจับเพิ่มร่วมด้วยเสมอ เพื่อควบคุมการตีกลับหรือกำลังสะท้อนจากแรงบิดขณะสแตร์ทเครื่องให้ได้ดีที่สุด ผู้ใช้เครื่องสามารถควบคุมกำลังสะท้อนจากแรงบิดหรือการตีกลับ หากได้ระมัดระวังอย่างถูกต้องไว้ก่อน
- ▶ **อย่ายื่นมือเข้าใกล้อุปกรณ์ประกอบที่กำลังหมุน** อุปกรณ์ประกอบอาจตีกลับมาที่มือของท่านได้
- ▶ **อย่ายืนอยู่ในบริเวณด้านหน้าและด้านหลังของจานที่หมุน** การตีกลับจะผลักเครื่องมือไฟฟ้าไปยังทิศทางตรงกันข้ามกับการเคลื่อนที่ของจาน ณ จุดเหนี่ยวรั้ง
- ▶ **ใช้ความระมัดระวังเป็นพิเศษเมื่อใช้เครื่องทำงานบริเวณมุม ขอบแหลมคม ฯลฯ** หลีกเลี่ยงไม่ให้อุปกรณ์ประกอบกระแทกและเหนี่ยวรั้งกับชิ้นงาน มุม ขอบแหลมคม และการกระแทกมักจะเหนี่ยวรั้งอุปกรณ์ประกอบที่กำลังหมุน และทำให้ขาดการควบคุมหรือทำให้เกิดการตีกลับ
- ▶ **อย่าประกอบใบเลื่อยโซ่ ไม้มีดแกะสลักไม้ จานตัดเพชรแบบเชกเมนต์ที่มีช่องกว้างเกินกว่า 10 มม. หรือใบเลื่อยมีฟัน** ใบเลื่อยเหล่านี้ทำให้เกิดการตีกลับและสูญเสียการควบคุมบ่อยครั้ง

- ▶ **หลีกเลี่ยงอย่าให้จัน "ติดขัด" หรือยกจันแรงเกินไป** อย่าพยายามตัดให้ได้ร่องลึกเกินไป การกดจันลงมากเกินไปจะเพิ่มภาระแก่จัน และทำให้จันบิดหรือติดขัดในร่องตัดได้ง่ายขึ้น และเพิ่มความเสี่ยงการตีกลับหรือทำให้จันแตกหักได้
- ▶ **เมื่อจันติดขัดหรือเมื่องานตัดหยุดชะงักด้วยเหตุใดก็ตาม ให้ปิดสวิทช์เครื่องมือไฟฟ้าและถือเครื่องมือไฟฟ้าไว้อย่าได้เคลื่อนไหวจนกว่าจันจะหยุดนิ่งอยู่กับที่** อย่าพยายามถอดจันออกจากร่องตัดขณะที่จันยังหมุนอยู่ มิฉะนั้นอาจเกิดการตีกลับได้ ตรวจสอบและแก้ไขสาเหตุที่ทำให้จันติดขัด
- ▶ **อย่าเปิดเครื่องมือไฟฟ้าทำงานอีกครั้งขณะที่จันยังคาอยู่ในชิ้นงาน** ปลดปล่อยจันหมุนที่ความเร็วรอบสูงสุดแล้วจึงตัดต่อไปอย่างระมัดระวัง จันอาจติดขัด กระโดดขึ้น หรือตีกลับ หากเปิดเครื่องมือไฟฟ้าทำงานอีกครั้งในชิ้นงาน
- ▶ **หมุนแผ่นกระดานหรือชิ้นงานใดๆ ที่มีขนาดใหญ่เกินไปเพื่อลดความเสี่ยงการบิดงอและการตีกลับของจัน** ชิ้นงานขนาดใหญ่มักจะห้อยหย่อนตามความถ่วงน้ำหนักของตัวเอง ต้องสอดแผ่นหนุนใต้ชิ้นงานทั้งสองด้าน ทั้งใกล้เส้นตัดและใกล้ขอบของชิ้นงาน
- ▶ **ใช้ความระมัดระวังเป็นพิเศษเมื่อ "ตัดรูปทรงกระเป่า" เข้าในฝาผนังหรือในบริเวณอื่นที่ไม่สามารถมองเห็นได้** จันที่ยื่นออกมาอาจตัดเข้าในท่อแก๊ซหรือท่อน้ำ สายไฟฟ้า หรือวัตถุที่อาจทำให้เกิดการตีกลับได้

คำสั่งเพิ่มเติมเพื่อความปลอดภัย



สวมแว่นตาป้องกันอันตราย



สวมหน้ากากป้องกันฝุ่น

- ▶ **ใช้เครื่องมือหรือวิธีอื่นที่ได้ผลเพื่อยึดและหนุนชิ้นงานกับแท่นยกที่มั่นคง** การจับงานด้วยมือหรือยืนไว้กับร่างกายจะไม่มั่นคง และอาจทำให้สูญเสียการควบคุม
- ▶ **สวมประภหุกันเสียงดัง แว่นตากันลมและฝุ่น หน้ากากกันฝุ่น และถุงมือ** สำหรับหน้ากากกันฝุ่น อย่างน้อยที่สุดต้องใช้หน้ากากกรองอนุภาคแบบครึ่งหน้าที่มีระดับไส้กรอง FFP 2
- ▶ **ใช้เครื่องตรวจที่เหมาะสมตรวจหาท่อ สายไฟฟ้า หรือสายโทรศัพท์** ที่อาจซ่อนอยู่ในบริเวณที่ทำงาน หรือขอความช่วยเหลือจากบริษัทสาธารณูปโภคในท้องถิ่น การสัมผัสกับสายไฟฟ้าอาจทำให้เกิดไฟไหม้หรือถูกไฟฟ้าดูด การทำให้ท่อแก๊ซเสียหายอาจทำให้เกิดระเบิด การเจาะเข้าในท่อน้ำทำให้ทรัพย์สินเสียหาย หรืออาจเป็นเหตุให้ถูกไฟฟ้าดูดได้
- ▶ **หลังเลิกงาน อย่าสัมผัสจันตัดจนกว่าจะเย็นลง** จันตัดจะร้อนขึ้นมากขณะทำงาน
- ▶ **เมื่อใช้เครื่องทำงาน ต้องใช้มือทั้งสองจับเครื่องให้แน่น และตั้งท้ายที่มั่นคงเสมอ** เครื่องมือไฟฟ้าสามารถเคลื่อนนำได้มั่นคงกว่าเมื่อใช้มือทั้งสองข้างจับ

รายละเอียดผลิตภัณฑ์และข้อมูลจำเพาะ



ต้องอ่านคำเตือนเพื่อความปลอดภัยและคำสั่งทั้งหมด การไม่ปฏิบัติตามคำเตือนและคำสั่งอาจเป็นสาเหตุให้ถูกไฟฟ้าดูด เกิดไฟไหม้ และ/หรือได้รับบาดเจ็บอย่างร้ายแรง

ประโยชน์การใช้งานของเครื่อง

เครื่องนี้ใช้สำหรับตัดหรือเจาะช่องเป็นรูแคบตามแนวนอน ใช้ตัดหรือเจาะวัสดุจำพวกแร่เป็นส่วนใหญ่ เช่น หินอ่อน โดยไม่ใช้น้ำ เมื่อทำงานต้องหนุนแผ่นฐานอย่างมั่นคงและใช้กระบ้งป้องกันใบเลื่อย เครื่องนี้ไม่ได้ผลิตไว้สำหรับตัดไม้ พลาสติก หรือโลหะ

ส่วนประกอบผลิตภัณฑ์

ลำดับเลขของส่วนประกอบผลิตภัณฑ์อ้างอิงถึงส่วนประกอบของเครื่องที่แสดงในหน้าภาพประกอบ

- 1 สวิทช์เปิด-ปิด
- 2 ปุ่มล็อคสวิทช์เปิด-ปิด
- 3 มาตราส่วนความลึกการตัด
- 4 น็อตปีกสำหรับเลือกความลึกการตัดล่วงหน้า
- 5 กระบ้งป้องกัน
- 6 จันตัดเพชร*
- 7 ลูกศรทิศทางหมุนของแกนเครื่อง
- 8 แผ่นฐาน
- 9 ด้ามจับ (พื้นผิวจับหุ้มฉนวน)
- 10 เพลลาขับ
- 11 โอ-ริง
- 12 น็อตรอง
- 13 น็อตยึด
- 14 ประแจรูปวงแหวน
- 15 ไบส์ทียึด
- 16 ประแจขันหกเหลี่ยม

*อุปกรณ์ประกอบที่แสดงหรือระบุไม่รวมอยู่ในการจัดส่งมาตรฐาน กรุณาดูอุปกรณ์ประกอบทั้งหมดในรายการแสดงอุปกรณ์ประกอบของเรา

ข้อมูลทางเทคนิค

เลือกตัดหิน	GDC 140	
หมายเลขสินค้า	0 601 3A0 0..	
กำลังไฟฟ้าเข้ากำหนด	วัตต์	1400
ความเร็วรอบเดินดิวเปล่า	รอบ/นาที	13200
เส้นผ่าศูนย์กลางสูงสุดสำหรับจันตัดเพชร	มม.	110/115
ความกว้างจันตัด ต่ำสุด	มม.	1.6
ความกว้างจันตัด สูงสุด	มม.	2.2
รูปประกอบ	มม.	20
ความสามารถในการเลื่อยสูงสุด	มม.	32.5/35
ค่าที่ใช้ได้กับแรงดันไฟฟ้าระบุ [U] 230 โวลต์ ค่าเหล่านี้อาจผิดแผกไปสำหรับแรงดันไฟฟ้าที่ต่ำกว่า และไม่เคลือบสำหรับเฉพาะประเทศ		

36 | ภาษาไทย

เลือกตัดหิน	GDC 140	
นำนักตามระเบียบการ-EPTA-Procedure 01:2014	กค.	2.9
ระดับความปลอดภัย		☐/II
ค่าที่ให้นี้ใช้ได้กับแรงดันไฟฟ้าระบุ [U] 230 โวลต์ ค่าเหล่านี้อาจผิดแผกไปสำหรับแรงดันไฟฟ้าที่ต่ำกว่า และไม่เคลือบสำหรับเฉพาะประเทศ		

การประกอบ

- ▶ **ตั้งปลั๊กไฟออกจากเต้าเสียบก่อนปรับแต่งเครื่อง**

การคู่มือ

- ▶ **ฝุ่นที่ได้จากวัสดุ** เช่น เคลือบผิวที่มีสารตะกั่ว ไม้ยางประเภท แร่ธาตุ และโลหะ อาจเป็นอันตรายต่อสุขภาพ การสัมผัสหรือการหายใจเอาฝุ่นเข้าไปอาจทำให้เกิดปฏิกิริยาแพ้ฝุ่นและ/หรือนำมาซึ่งโรคติดเชื้อระบบหายใจแก่ผู้ใช้เครื่องหรือผู้ที่ยืนอยู่ใกล้เคียง
- ▶ ฝุ่นบางประเภท เช่น ฝุ่นไม้โอ๊ก หรือไม้บีช นับเป็นสารที่ทำให้เกิดมะเร็ง โดยเฉพาะอย่างยิ่งเมื่อผสมกับสารเติมแต่งเพื่อบำบัดไม้ (โครเมต ผลัดกันที่รักษาเนื้อไม้) สำหรับวัสดุที่มีแอลกอฮอล์ต้องให้ผู้เชี่ยวชาญทำงานเท่านั้น
- ▶ จัดสถานที่ทำงานให้มีการระบายอากาศที่ดี
- ▶ ขอแนะนำให้สวมหน้ากากป้องกันการติดเชื้อที่มีระดับ-ได้กรอง P2

ปฏิบัติตามกฎข้อบังคับสำคัญอื่นๆ ที่เกี่ยวกับวัสดุชิ้นงานที่บังคับใช้ในประเทศของท่าน

- ▶ **ป้องกันการสะสมของฝุ่นในสถานที่ทำงาน** ฝุ่นสามารถถูกใหม่อย่างง่ายดาย

การประกอบ/การเปลี่ยนจานตัดเพชร (ดูภาพประกอบ A)

- ▶ **เมื่อประกอบและเปลี่ยนจานตัดเพชร ขอแนะนำให้สวมถุงมือป้องกันอันตราย**
- ▶ **จานตัดเพชรจะร้อนขึ้นมากขณะทำงาน อย่าสัมผัสจานจนกว่าจานจะเย็นลง**
- ▶ **ใช้จานตัดเพชรที่ถูกต้องที่รูปประกอบมีขนาดตรงตามรายละเอียดที่กำหนดไว้ในข้อมูลทางเทคนิคเสมอ**
- ▶ **ใช้เฉพาะจานตัดปลายเพชรเท่านั้น จานตัดเพชรแบบเซกเมนต์จะต้องมีมุมตัดที่เป็นค่าลบ (negative) เท่านั้น และมีความกว้างของช่องระหว่างเซกเมนต์สูงสุด 10 มม.**

การประกอบจานตัดเพชร

- ทำความสะอาดจานตัดเพชร 6 และชิ้นส่วนยึดหนีบที่จะประกอบเข้าทั้งหมด
- สวมมือรอง 12 พร้อมโอริง 11 เข้าบนเพลลาชัป 10
- ประกอบจานตัดเพชร 6 เข้าบนมือรอง 12 ทิศทางลูกศรบนจานตัดเพชร 6 และทิศทางหมุนของลูกศรที่แสดงบนกระบังป้องกันใบเลื่อย 5 ต้องชี้ไปทางเดียวกัน
- ประกอบน็อตยึด 13 และขันโบลท์ยึด 15 เข้า
- จับน็อตยึด 13 ด้วยประแจรูปวงแหวน 14 และขันโบลท์ยึด 15 เข้าให้แน่นด้วยประแจขันหกเหลี่ยม 16

การถอดจานตัดเพชร

- จับน็อตยึด 13 ด้วยประแจรูปวงแหวน 14 และคลายโบลท์ยึด 15 ออกด้วยประแจขันหกเหลี่ยม 16
- ถอดน็อตยึด 13 และจานตัดเพชร 6 ออกจากเพลลาชัป 10

การปฏิบัติงาน

วิธีการปฏิบัติงาน

- ▶ **ตั้งปลั๊กไฟออกจากเต้าเสียบก่อนปรับแต่งเครื่อง**

การเลือกความลึกการตัดล่วงหน้า (ดูภาพประกอบ B)

- ▶ **เลือกความลึกการตัดล่วงหน้าเมื่อเครื่องปิดสวิตช์อยู่เท่านั้น**

ปรับความลึกการตัดให้เหมาะสมกับความหนาของชิ้นงาน เพื่อให้ได้ผลการตัดที่ดีที่สุด จานตัดเพชรต้องไหลย้อนออกมาจากวัสดุชิ้นงานประมาณ 2 มม.

- คลายน็อตบีบ 4 ออก สำหรับความลึกการตัดน้อย ให้ตั้งเครื่องออกจากแผ่นฐาน 8; สำหรับความลึกการตัดมาก ให้ตั้งเครื่องเข้าหาแผ่นฐาน 8 ปรับความลึกการตัดที่ต้องการที่มาตราร่วมความลึกการตัด 3 ชน็อตบีบ 4 กลับเข้าให้แน่น

เริ่มต้นปฏิบัติงาน

- ▶ **ให้สังเกตแรงดันไฟฟ้า! แรงดันไฟฟ้าจากแหล่งจ่ายไฟฟ้าต้องมีค่าตรงกับค่าแรงดันไฟฟ้าที่ระบุไว้บนแผ่นป้ายติดเครื่อง**

การเปิด-ปิดเครื่อง

เพื่อประหยัดพลังงาน เปิดสวิตช์เครื่องมือไฟฟ้าเฉพาะเมื่อใช้งานเท่านั้น

- **เปิดเครื่อง** ทำงานโดยกดสวิตช์เปิด-ปิด 1 และกดค้างไว้
- **ล็อคสวิตช์เปิด-ปิด 1 ที่กดค้างไว้** โดยกดปุ่มล็อคสวิตช์เปิด-ปิด 2
- **ปิดเครื่อง** โดยปล่อยนิ้วจากสวิตช์เปิด-ปิด 1 หรือในกรณีที่ถูกล็อคด้วยปุ่มล็อค 2 อยู่ ให้กดสวิตช์เปิด-ปิด 1 สั้นๆ และปล่อยนิ้ว

- ▶ **ตรวจสอบสภาพจานตัดก่อนใช้งาน** จานตัดเพชรต้องประกอบเข้าอย่างถูกต้อง และหมุนได้อย่างอิสระ ทำการทดสอบโดยให้วิ่งตัวเปล่าอย่างน้อย 1 นาที อย่าใช้จานตัดเพชรที่ชำรุด ขาดการทรงตัว หรือสันคลอน จานตัดเพชรที่ชำรุดอาจแตกออก และทำให้ได้รับบาดเจ็บได้

ข้อแนะนำในการทำงาน

- ▶ **ใช้ความระมัดระวังเมื่อเจาะรูในฝาผนังที่รับน้ำหนัก; ดูบท "ข้อมูลเกี่ยวกับโครงสร้าง"**
- ▶ **อย่าใช้งานเครื่องหนักเกินไปจนเครื่องหยุดทำงาน**
- ▶ **หลังใช้เครื่องทำงานอย่างหนักหน่วง ต้องปล่อยให้เครื่องวิ่งตัวเปล่าต่อเป็นเวลานานหลายนาทีเพื่อให้เครื่องมือตัด/ขัดเย็นลง**
- ▶ **สำหรับการตัดที่ลึกกว่า 20 มม. ในวัสดุแข็ง ด.ย. เช่น คอนกรีต ให้ใช้ขั้นตอนการทำงานที่หลากหลาย มอเตอร์จะได้ไม่ถูกใช้งานเกินกำลัง**

- ▶ ยึดชิ้นงานให้แน่น หากชิ้นงานไม่หนักพอที่จะส่งตัวเองให้ตั้งอยู่กับที่ได้
- ▶ เครื่องนี้ใช้สำหรับการตัดแห้งเท่านั้น
- ▶ จานตัดเพชรจะร้อนขึ้นมากขณะทำงาน อย่าสัมผัสจานจนกว่าจานจะเย็นลง

ต้องป้องกันจานตัดจากการกระทบกระแทก และจากระบี่ยอย่าให้ด้านข้างของจานตัดถูกกด

อย่าหยุดจานตัดเพชรที่ยังหมุนอยู่โดยกดลงด้านข้าง

เมื่อตัดวัสดุที่แข็งเป็นพิเศษ ต.ย. เช่น คอนกรีตที่มีกรวดผสมอยู่มาก จานตัดเพชรจะร้อนเกินไป และด้วยเหตุนี้ก็จะชำรุดได้ ซึ่งจะสังเกตเห็นได้ชัดจากวงประกายไฟที่หมุนไปพร้อมๆ กับจานตัดเพชร

ในกรณีนี้ ให้หยุดการตัด และทำให้จานตัดเพชรเย็นลงโดยปล่อยให้เครื่องเดินตัวเปล่าที่ความเร็วรอบสูงสุดสักครู่หนึ่ง การทำงานได้น้อยลงอย่างเห็นได้ชัด และวงประกายไฟหมุนขึ้นให้เห็นว่า จานตัดเพชรกำลังจะท้อ การตัดวัสดุชนิดก่อน (ต.ย. เช่น อิฐจากทรายผสมปูนขาว) เพียงเล็กน้อย จะทำให้จานกลับมาคมอีกครั้ง

ทิศทางการตัด (ดูภาพประกอบ C)

เครื่องต้องทำงานในทิศทางตรงกันข้ามกับการหมุนเสมอ มิฉะนั้นจะเกิดอันตรายจากการที่เครื่องถูกดันออกจากร่องตัดโดย **ควบคุมไม่ได้**

ข้อมูลเกี่ยวกับโครงสร้าง

การเจาะร่องในฝาผนังที่รับน้ำหนักอยู่ภายใต้การควบคุมของมาตรฐาน DIN 1053 ตอน 1 หรือกฎระเบียบเฉพาะในแต่ละประเทศ ต้องปฏิบัติตามกฎระเบียบนี้ในทุกกรณี ก่อนเริ่มงานให้ปรึกษาวิศวกรโครงสร้าง สถาปนิก หรือหัวหน้าก่อสร้างที่รับผิดชอบ

การบำรุงรักษาและการบริการ

การบำรุงรักษาและการทำความสะอาด

- ▶ ดึงปลั๊กไฟออกจากเต้าเสียบก่อนปรับแต่งเครื่อง
- ▶ เพื่อให้ทำงานได้อย่างถูกต้องและปลอดภัย ต้องรักษาเครื่องและช่องระบายอากาศให้สะอาดอยู่เสมอ

เมื่อจำเป็นต้องเปลี่ยนสายไฟฟ้า ให้ส่งเครื่องให้บริษัท บ็อสชหรือศูนย์บริการลูกค้าสำหรับเครื่องมือไฟฟ้า บ็อสช ที่ได้รับมอบหมายทำการเปลี่ยนให้ เพื่อหลีกเลี่ยงอันตรายด้านความปลอดภัย

กรุณาเก็บรักษาและจับถืออุปกรณ์ประกอบอย่างระมัดระวัง

การบริการหลังการขายและคำแนะนำการใช้งาน

ศูนย์บริการหลังการขายของเรายินดีตอบคำถามเกี่ยวกับการบำรุงรักษาและการซ่อมแซมผลิตภัณฑ์ของท่าน รวมทั้งชิ้นส่วนอะไหล่ ภาพแยกชิ้นประกอบและข้อมูลเกี่ยวกับชิ้นส่วนอะไหล่ยังสามารถดูได้ใน:

www.bosch-pt.com

ทีมงานให้คำแนะนำการใช้งานของ บ็อสช ยินดีตอบคำถามเกี่ยวกับผลิตภัณฑ์ของเราและอุปกรณ์ประกอบของผลิตภัณฑ์ เมื่อต้องการสอบถามและสั่งซื้ออะไหล่ กรุณาแจ้งหมายเลขสินค้า 10 หลักบนแผ่นป้ายรุ่นของผลิตภัณฑ์ทุกครั้ง

ไทย

บริษัท โรเบิร์ต บ็อสช จำกัด
ชั้น 11 ดิกลีเบอร์ตี สแควร์
287 ถนนสีลม บางรัก
กรุงเทพฯ 10500
โทรศัพท์ 02 6393111
โทรสาร 02 2384783
บริษัท โรเบิร์ต บ็อสช จำกัด ตู้ ปณ. 2054
กรุงเทพฯ 10501 ประเทศไทย
www.bosch.co.th

ศูนย์บริการซ่อมและฝึกอบรม บ็อสช
อาคาร ลานชาลาทาวเวอร์ ชั้น G ห้องเลขที่ 2
บ้านเลขที่ 10/11 หมู่ 16
ถนนศรีนครินทร์
ตำบลบางแก้ว อำเภอบางพลี
จังหวัดสมุทรปราการ 10540
ประเทศไทย
โทรศัพท์ 02 7587555
โทรสาร 02 7587525

การกำจัดขยะ

เครื่องมือ อุปกรณ์ประกอบ และหีบห่อ ต้องนำไปแยกประเภทวัสดุเพื่อนำกลับมาใช้ใหม่โดยไม่ทำลายสภาพแวดล้อม



อย่าทิ้งเครื่องมือไฟฟ้าลงในขยะบ้าน!

ขอสงวนสิทธิ์ในการเปลี่ยนแปลงโดยไม่ต้องแจ้งล่วงหน้า

Bahasa Indonesia

Petunjuk-Petunjuk untuk Keselamatan Kerja

Petunjuk-Petunjuk Umum untuk Perkakas Listrik

PERHATIKANLAH Bacalah semua petunjuk-petunjuk untuk keselamatan kerja dan petunjuk-petunjuk untuk penggunaan.

Kesalahan dalam menjalankan petunjuk-petunjuk untuk keselamatan kerja dan petunjuk-petunjuk untuk penggunaan dapat mengakibatkan kontak listrik, kebakaran dan/atau luka-luka yang berat.

Simpanlah semua petunjuk-petunjuk untuk keselamatan kerja dan petunjuk-petunjuk lainnya untuk penggunaan di masa depan.

Kata „perkakas listrik“ yang disebutkan di dalam petunjuk-petunjuk untuk keselamatan kerja adalah sebutan untuk perkakas listrik pakai listrik jaringan (dengan kabel) dan untuk perkakas listrik tenaga baterai (tanpa kabel listrik).

Keselamatan kerja di tempat kerja

- ▶ Jagalah supaya tempat kerja selalu bersih dan terang. Tempat kerja yang tidak rapi atau tidak terang dapat mengakibatkan terjadinya kecelakaan.

38 | Bahasa Indonesia

- ▶ **Janganlah menggunakan perkakas listrik di tempat di mana dapat terjadi ledakan, di mana ada cairan, gas atau debu yang mudah terbakar.** Perkakas listrik dapat memancarkan bunga api yang lalu mengakibatkan debu atau uap terbakar.
- ▶ **Selama menggunakan perkakas listrik, jauhkan anak-anak dan orang-orang lain dari tempat kerja.** Jika konsentrasi terganggu, bisa jadi Anda tidak bisa mengendalikan perkakas listrik tersebut.

Keamanan listrik

- ▶ **Steker dari perkakas listrik harus cocok pada stopkontak. Janganlah sekali-kali merubah steker.** Janganlah menggunakan steker perantara bersama dengan perkakas listrik yang mempunyai hubungan arde. Steker yang tidak dirubah dan stopkontak yang cocok mengurangi bahaya terjadinya kontak listrik.
- ▶ **Jagalalah supaya badan Anda tidak bersentuhan dengan permukaan yang mempunyai hubungan arde, misalnya pipa-pipa, radiator pemanas ruangan, kompor listrik dan lemari es.** Ada risiko besar terjadi kontak listrik, jika badan Anda mempunyai hubungan arde.
- ▶ **Jagalalah supaya perkakas listrik tidak kena hujan atau menjadi basah.** Air yang masuk ke dalam perkakas listrik menambah risiko terjadinya kontak listrik.
- ▶ **Janganlah menyalah gunakan kabel listrik untuk mengangkat dan menggantungkan perkakas listrik atau untuk menarik steker dari stopkontak. Jagalah supaya kabel listrik tidak kena panas, minyak, pinggiran yang tajam atau bagian-bagian perkakas yang bergerak.** Kabel listrik yang rusak atau tersangkut menambah risiko terjadinya kontak listrik.
- ▶ **Jika Anda menggunakan perkakas listrik di luar gedung, gunakanlah hanya kabel sambungan yang juga cocok untuk pemakaian di luar gedung.** Penggunaan kabel sambungan yang cocok untuk pemakaian di luar gedung mengurangi risiko terjadinya kontak listrik.
- ▶ **Jika penggunaan perkakas listrik di tempat yang basah tidak bisa dihindarkan, gunakanlah sakelar pengaman terhadap arus penyimpangan.** Penggunaan sakelar pengaman terhadap arus penyimpangan mengurangi risiko terjadinya kontak listrik.

Keselamatan kerja

- ▶ **Berhati-hatilah selalu, perhatikanlah apa yang Anda kerjakan dan bekerjalah dengan seksama jika menggunakan perkakas listrik. Janganlah menggunakan perkakas listrik, jika Anda capai atau berada di bawah pengaruh narkoba, minuman keras atau obat.** Jika Anda sekejap mata saja tidak berhati-hati sewaktu menggunakan perkakas listrik, dapat terjadi luka-luka berat.
- ▶ **Pakailah pakaian dan sarana pelindung dan pakailah selalu kaca mata pelindung.** Dengan memakai pakaian dan sarana pelindung, misalnya kedok anti debu (masker), sepatu tertutup yang tidak licin, helm pelindung atau pemalut telinga sesuai dengan pekerjaan yang dilakukan dengan perkakas listrik, bahaya terjadinya luka-luka dapat dikurangi.

- ▶ **Jagalalah supaya perkakas listrik tidak dihidupkan secara tidak disengaja. Perhatikan bahwa perkakas listrik dalam penyetelan mati, jika steker disambungkan pada pengadaan listrik dan/atau baterai, jika perkakas listrik diangkat atau dibawa.** Jika selama mengangkat perkakas listrik jari Anda berada pada tombol untuk menghidupkan dan mematikan atau perkakas listrik yang dalam penyetelan hidup disambungkan pada listrik, dapat terjadi kecelakaan.
 - ▶ **Lepaskan semua perkakas-perkakas penyetelan atau kunci-kunci pas sebelum perkakas listrik dihidupkan.** Perkakas atau kunci yang berada di dalam bagian yang berputar dapat mengakibatkan terjadinya luka-luka.
 - ▶ **Aturkan badan sedemikian sehingga Anda bisa bekerja dengan aman. Berdirilah secara mantap dan jagalah selalu keseimbangan.** Dengan demikian Anda bisa mengendalikan perkakas listrik dengan lebih baik, jika terjadi sesuatu dengan tiba-tiba.
 - ▶ **Pakailah pakaian yang cocok. Janganlah memakai pakaian yang longgar atau perhiasan. Jagalah supaya rambut, pakaian dan sarung tangan tidak masuk dalam bagian-bagian perkakas yang bergerak.** Pakaian yang longgar, rambut panjang atau perhiasan dapat tersangkut dalam bagian perkakas yang bergerak.
 - ▶ **Jika ada kemungkinan untuk memasang sarana penghisapan dan penampungan debu, perhatikan bahwa sarana-sarana ini telah dipasangkan dan digunakan dengan betul.** Penggunaan sarana penghisapan bisa mengurangi bahaya yang disebabkan debu.
- Penggunaan dan penanganan perkakas listrik dengan seksama**
- ▶ **Janganlah membebankan perkakas listrik terlalu berat. Gunakan selalu perkakas listrik yang cocok untuk pekerjaan yang dilakukan.** Dengan perkakas listrik yang cocok Anda bekerja lebih baik dan lebih aman dalam batas-batas kemampuan yang ditentukan.
 - ▶ **Janganlah menggunakan perkakas listrik yang tombolnya rusak.** Perkakas listrik yang tidak bisa dihidupkan atau dimatikan, berbahaya dan harus direparasikan.
 - ▶ **Tariklah steker dari stopkontak dan/atau keluarkan baterai, sebelum Anda melakukan penyetelan pada perkakas listrik, mengganti alat-alat kerja atau sebelum menyimpan perkakas listrik.** Tindakan keselamatan kerja ini mengurangi bahaya perkakas listrik hidup secara tidak disengaja.
 - ▶ **Simpanlah perkakas listrik yang tidak digunakan di luar jangkauan anak-anak. Janganlah mengizinkan orang-orang yang tidak mengenal perkakas listrik ini atau yang belum membaca petunjuk-petunjuk ini, menggunakan perkakas listrik ini.** Perkakas listrik bisa menjadi berbahaya, jika digunakan oleh orang-orang yang tidak mengenalnya.
 - ▶ **Rawatlah perkakas listrik dengan seksama. Periksa, apakah bagian-bagian perkakas listrik yang bergerak berfungsi dengan baik dan tidak tersangkut, apakah ada bagian-bagian yang patah atau**

rusak sedemikian, sehingga dapat mempengaruhi jalannya perkakas listrik. Biarkan bagian-bagian perkakas yang rusak direparasikan, sebelum Anda mulai menggunakan perkakas listrik. Banyak kecelakaan terjadi karena perkakas listrik tidak dirawat dengan seksama.

- ▶ **Perhatikan supaya alat-alat pemotong selalu tajam dan bersih.** Alat-alat pemotong dengan mata-mata pemotong yang tajam dan dirawat dengan seksama tidak mudah tersangkut dan lebih mudah dikendalikan.
- ▶ **Gunakanlah semua perkakas listrik, aksesoris, alat-alat kerja dsb. sesuai dengan petunjuk-petunjuk.** Perhatikan syarat-syarat kerja dan macam pekerjaan yang dilakukan. Penggunaan perkakas listrik untuk macam pekerjaan yang tidak cocok dengan kegunaannya bisa mengakibatkan keadaan yang berbahaya.

Servis

- ▶ **Biarkan perkakas listrik Anda direparasikan hanya oleh orang-orang ahli yang berpengalaman dan hanya dengan menggunakan suku cadang yang asli.** Dengan demikian terjamin keselamatan kerja dengan perkakas listrik ini secara berkesinambungan.

Petunjuk-petunjuk untuk keselamatan kerja untuk mesin gerinda pemotong

- ▶ **Kap pelindung yang merupakan bagian dari perkakas listrik harus dipasangkan dengan betul dan harus disetelkan sedemikian, sehingga penggunaan perkakas listrik paling aman, artinya bagian dari alat kerja yang menghadap ke orang yang menggunakan perkakas listrik harus tertutup oleh kap pelindung sebesar mungkin. Anda dan orang-orang yang berada di dekat tempat kerja harus menjauh dari lingkungan gerak alat kerja yang memutar.** Kap pelindung harus melindungi orang yang menggunakan perkakas listrik terhadap bahan yang terpatah dan persentuhan yang tidak disengaja dengan alat kerja.
- ▶ **Gunakanlah hanya mata potong dengan intan untuk perkakas listrik Anda.** Jika suatu aksesoris bisa dipasangkan pada perkakas listrik milik Anda, ini tidak berarti bahwa penggunaannya yang aman terjamin.
- ▶ **Kecepatan putaran yang diizinkan dari alat kerja harus paling sedikit sebesar kecepatan putaran maksimal yang tercantum pada perkakas listrik.** Aksesoris yang diputar lebih cepat daripada kecepatan putaran yang diizinkan, bisa terpatah dan beterbangan.
- ▶ **Alat kerja-alat kerja hanya boleh digunakan untuk jenis penggunaan yang disarankan. Misalnya: janganlah sekali-kali menggerinda dengan sisi samping dari mata potong.** Mata potong digunakan untuk mengikis bahan dengan pinggiran dari piringan. Tekanan dari samping pada alat kerja ini bisa mematahkannya.
- ▶ **Gunakanlah selalu flens penjepit yang mulus dan dalam ukuran dan bentuk yang cocok untuk alat kerja yang Anda pilih.** Flens yang cocok menopang mata gerinda dan dengan demikian menghindarkan mata gerinda patah.
- ▶ **Diameter luar dan ketebalan alat kerja harus sesuai dengan ukuran-ukuran yang dianjurkan bagi perkakas listrik milik Anda.** Alat kerja-alat kerja yang tidak cocok ukurannya tidak bisa dilindungi atau dikendalikan dengan baik.
- ▶ **Mata gerinda-mata gerinda dan flens-flens harus duduk pas pada poros kerja dari perkakas listrik milik Anda.** Alat kerja-alat kerja yang tidak duduk pas pada poros kerja dari perkakas listrik, berputar tidak sempurna karena tidak balans, bervibrasi keras sekali dan bisa membuat perkakas listrik tidak bisa dikendalikan.
- ▶ **Janganlah menggunakan alat kerja-alat kerja yang tidak mulus. Sebelum setiap penggunaannya, periksalah selalu mata gerinda apakah ada bagian yang sembul dan retak. Jika perkakas listrik atau alat kerja jatuh, periksalah apakah menjadi rusak atau gunakanlah alat kerja lain yang tidak rusak. Jika Anda telah memeriksa alat kerja dan telah memasangkannya, Anda dan orang-orang yang berada di dekat tempat kerja harus menjauh dari lingkungan gerak alat kerja yang memutar dan biarkan perkakas listrik berjalan dengan kecepatan putaran maksimal selama satu menit.** Kebanyakan alat kerja yang rusak akan putus selama masa uji coba ini.
- ▶ **Pakailah sarana pelindung bagi diri Anda. Tergantung dari macam pekerjaan yang dilakukan, pakailah kedok penutup muka, pelindung mata atau kaca mata pelindung. Jika perlu, pakailah kedok anti debu, pemalut telinga, sarung tangan pelindung atau pakaian pelindung khusus yang melindungi Anda dari butir-butir gerinda dan butir-butir bahan (serbuk).** Mata harus dilindungi terhadap benda-benda yang beterbangan, yang terjadi pada beberapa macam pemakaian perkakas listrik. Kedok anti debu atau kedok pelindung pernafasan harus mampu menyaring debu yang terjadi selama pemakaian perkakas listrik. Jika Anda mendengar suara bising untuk waktu yang lama, daya pendengaran bisa berkurang.
- ▶ **Perhatikanlah supaya orang-orang lain cukup jauh dari tempat kerja Anda. Semua orang yang mendekati tempat kerja Anda harus memakai sarana pelindung badan.** Pecahan-pecahan dari benda yang dikerjakan atau alat kerja-alat kerja yang patah bisa beterbangan dan mengakibatkan luka-luka, juga di tempat yang agak jauh dari lingkungan gerak mesin.
- ▶ **Peganglah perkakas listrik hanya pada pegangan yang terisolir, jika Anda melakukan pekerjaan di mana alat kerjanya bisa terkena pada saluran listrik yang tidak terlihat atau kabelnya sendiri.** Alat kerja yang bersentuhan dengan kabel yang bertegangan dapat mengakibatkan bagian-bagian logam dari perkakas listrik juga bertegangan dan lalu mengakibatkan kontak listrik.
- ▶ **Jauhkan kabel listrik dari alat kerja-alat kerja yang sedang berputar.** Jika Anda tidak bisa mengendalikan perkakas listrik, kabel listrik bisa terpotong atau tersangkut dan lalu tangan atau lengan Anda bisa terkena pada alat kerja yang berputar.

40 | Bahasa Indonesia

- ▶ **Janganlah sekali-kali meletakkan perkakas listrik jika alat kerjanya belum berhenti sama sekali.** Alat kerja yang masih berputar bisa terkena pada permukaan di mana perkakas listrik diletakkan sehingga Anda tidak bisa mengendalikan perkakas listrik.
- ▶ **Janganlah membiarkan perkakas listrik hidup jika Anda sedang mengangkatnya.** Pakaian Anda secara tidak disengaja bisa tersangkut pada alat kerja yang berputar dan alat kerja ini bisa menancap dalam badan Anda.
- ▶ **Bersihkan lubang-lubang ventilasi pada perkakas listrik Anda secara berkala.** Kipas angin motor menarik debu ke dalam rumahannya dan debu logam dalam jumlah yang besar dan listrik bisa mengakibatkan bahaya.
- ▶ **Janganlah menggunakan perkakas listrik di dekat bahan-bahan yang mudah terbakar.** Bunga api bisa menyulut bahan-bahan ini.
- ▶ **Janganlah menggunakan alat kerja-alat kerja yang memerlukan cairan pendingin.** Penggunaan air atau cairan pendingin lainnya bisa mengakibatkan kontak listrik.

Bantingan dan petunjuk-petunjuk khusus

- ▶ Bantingan (kickback) adalah reaksi yang terjadi tiba-tiba jika mata gerinda yang berputar tersangkut atau memblok. Jika alat kerja yang berputar tersangkut atau memblok, alat kerja berhenti memutar secara tiba-tiba. Dengan demikian perkakas listrik yang tidak bisa dikendalikan terpelanting ke arah yang berlawanan dengan arah putaran alat kerja di tempat di mana alat kerja memblok. Jika misalnya satu mata gerinda tersangkut atau memblok dalam benda yang dikerjakan, maka pinggiran mata gerinda yang berada di dalam benda yang dikerjakan tersangsang dan bisa mengakibatkan mata gerinda patah atau terjadi bantingan. Dalam hal demikian mata gerinda bergerak mendekati atau menjauh orang yang menggunakan perkakas listrik, tergantung dari arah putaran mata gerinda di tempat di mana mata gerinda memblok. Dalam hal ini mata gerinda juga bisa patah. Bantingan adalah akibat dari penggunaan perkakas listrik yang tidak cocok atau tidak betul. Bantingan bisa dihindarkan dengan cara-cara yang dijelaskan di bawah ini.
- ▶ **Peganglah perkakas listrik dengan baik dan aturkan badan dan lengan-lengan Anda sedemikian, sehingga Anda bisa mengimbangi jika perkakas listrik membanting.** Gunakan selalu gagang tambahan jika memang ada, sehingga Anda bisa mengendalikan daya bantingan-daya bantingan atau momen reaksi-momen reaksi sebaik-baiknya pada waktu putaran sedang bertambah. Orang yang menggunakan perkakas listrik bisa mengendalikan bantingan atau daya reaksi-daya reaksi jika orang ini menaati petunjuk-petunjuk untuk keselamatan kerja.
- ▶ **Janganlah sekali-kali mendekatkan tangan Anda pada alat kerja-alat kerja yang sedang berputar.** Jika perkakas listrik membanting, alat kerja bisa bergerak di atas tangan Anda.

- ▶ **Janganlah mendekati lingkungan di depan atau di belakang mata potong yang sedang berputar.** Bantingan membuat perkakas listrik terpelanting dalam arah yang berlawanan dengan arah putaran mata gerinda di tempat di mana mata gerinda memblok.
- ▶ **Bekerjalah dengan sangat hati-hati di sudut-sudut, pinggiran yang tajam dsb. Jagalah supaya alat kerja-alat kerja tidak memantul dari benda yang dikerjakan dan terjepit.** Alat kerja yang berputar cenderung terjepit di sudut-sudut, pinggiran yang tajam atau bisa memantul. Ini mengakibatkan perkakas listrik tidak bisa dikendalikan atau mengakibatkan bantingan.
- ▶ **Janganlah menggunakan mata gergaji rantai atau mata gergaji yang bergerigi serta mata potong intan yang bersekmen dengan celah yang lebih lebar dari 10 mm.** Alat kerja-alat kerja demikian seringkali mengakibatkan bantingan atau membuat perkakas listrik tidak bisa dikendalikan.
- ▶ **Perhatikanlah supaya mata potong tidak memblok dan janganlah menekannya terlalu keras. Janganlah membuat pemotongan yang terlalu dalam.** Pembebanan yang terlalu berat pada mata potong meningkatkan pembebanannya dan membuatnya mudah tersangkut atau memblok dan dengan demikian bisa terjadi bantingan atau mata potong patah.
- ▶ **Jika mata potong terjepit atau jika Anda menghentikan sebentar pekerjaan, matikanlah perkakas listrik dan janganlah menggoyangkannya hingga mata potong berhenti memutar. Janganlah sekali-kali mencoba untuk menarik mata potong yang masih berputar dari jalur pemotongannya, karena bisa terjadi bantingan.** Periksa mengapa mata potong terjepit dan betulkan.
- ▶ **Janganlah menghidupkan kembali perkakas listrik, selama perkakas listrik masih berada dalam benda yang dikerjakan. Biarkan mata potong mencapai kecepatan putaran nominal dahulu sebelum Anda melanjutkan pemotongan dengan hati-hati.** Jika tidak, mata potong bisa tersangkut, melompat ke luar dari jalur pemotongan atau mengakibatkan bantingan.
- ▶ **Topangkan pelat-pelat atau benda-benda yang besar yang dikerjakan untuk mengurangi risiko terjadinya bantingan karena mata potong yang terjepit.** Benda-benda yang besar bisa melengkung ke bawah karena beratnya sendiri. Benda yang dikerjakan harus ditopangkan pada kedua sisinya, baik di dekat jalur pemotongan maupun di pinggirannya.
- ▶ **Berhati-hatilah sekali jika melakukan pemotongan „kantong“ di tembok atau tempat-tempat lain yang tidak terlihat bagian dalamnya.** Mata potong yang masuk ke dalam bahan dan tanpa disengaja memotong pipa gas atau pipa air, saluran listrik atau benda-benda lainnya, bisa mengakibatkan bantingan.

Petunjuk-petunjuk untuk keselamatan kerja lainnya
Pakailah kaca mata pelindung.





Pakailah masker anti debu.

- ▶ **Kencangkan dan amankan benda yang dikerjakan dengan klamer-klamer atau cara yang lain pada alas yang stabil.** Jika Anda menahan benda yang dikerjakan hanya dengan tangan atau dengan cara ditekankan pada tubuh Anda, benda yang dikerjakan tidak stabil dan mungkin Anda tidak dapat mengendalikannya.
- ▶ **Pakailah pemalut telinga, kacamata pelindung, masker anti debu dan sarung tangan. Sebagai masker anti debu pakailah paling sedikit masker penutup hidung dan mulut yang menyaring partikel debu kelas FFP 2.**
- ▶ **Gunakanlah alat detektor logam yang cocok untuk mencari kabel dan pipa yang tidak terlihat atau hubungi perusahaan pengadaan setempat.** Sentuhan dengan kabel-kabel listrik dapat mengakibatkan api dan kontak listrik. Pipa gas yang dirusak dapat mengakibatkan ledakan. Pipa air yang dirusak mengakibatkan kerusakan barang-barang atau dapat mengakibatkan kontak listrik.
- ▶ **Janganlah memegang piringan pemotong segera setelah berhenti bekerja, tunggulah sampai piringan pemotong menjadi dingin.** Piringan pemotong menjadi sangat panas jika digunakan.
- ▶ **Selama digunakan, peganglah perkakas listrik dengan kedua belah tangan dan perhatikanlah supaya Anda berdiri secara teguh.** Perkakas listrik bisa dikendalikan lebih baik jika dipegang dengan kedua belah tangan.

Penjelasan tentang produk dan daya



Bacalah semua petunjuk-petunjuk untuk keselamatan kerja dan petunjuk-petunjuk untuk penggunaan. Kesalahan dalam menjalankan petunjuk-petunjuk untuk keselamatan kerja dan petunjuk-petunjuk untuk penggunaan dapat mengakibatkan kontak listrik, kebakaran dan/atau luka-luka yang berat.

Penggunaan alat

Perkakas listrik ini cocok untuk memotong atau membuat alur secara horisontal dalam bahan-bahan yang bermineral misalnya marmer, tanpa menggunakan air, dengan ketentuan harus diletakkan secara langsung di atas benda yang dikerjakan dengan menggunakan pelat dasar dan kap pelindung. Perkakas listrik ini tidak cocok untuk pemotongan dalam bahan kayu, bahan sintetik atau logam.

Bagian-bagian pada gambar

Nomor-nomor dari bagian-bagian perkakas pada gambar sesuai dengan gambar perkakas listrik pada halaman bergambar.

- 1 Tombol untuk menghidupkan dan mematikan
- 2 Tombol pengunci untuk tombol untuk menghidupkan dan mematikan
- 3 Skala untuk kedalaman pemotongan

- 4 Baut kupu-kupu untuk penyetelan pendahuluan kedalaman pemotongan
- 5 Kap pelindung
- 6 Mata potong intan*
- 7 Tanda panah arah pada poros gerinda
- 8 Pelat dasar
- 9 Pegangan (genggaman terisolir)
- 10 Poros kerja
- 11 Ring-O
- 12 Flens untuk poros kerja
- 13 Flens pemegang
- 14 Kunci ring
- 15 Baut pemegang
- 16 Kunci mur dalam

*Aksesori yang ada pada gambar atau yang dijelaskan, tidak termasuk pasokan standar. Semua aksesori yang ada bisa Anda lihat dalam program aksesori Bosch.

Data teknis

Mesin gergaji batu	GDC 140	
Nomor model	0 601 3A0 0..	
Masukan nominal	W	1400
Kecepatan putaran tanpa beban	min ⁻¹	13200
Diameter maks. mata potong intan	mm	110/115
Ketebalan min. piringan pemotong	mm	1,6
Ketebalan maks. piringan pemotong	mm	2,2
Garis tengah lubang	mm	20
Kedalaman pemotongan maks.	mm	32,5/35
Berat sesuai dengan EPTA-Procedure 01:2014	kg	2,9
Klasifikasi keamanan	□/II	

Data-data berlaku untuk tegangan nominal [U] 230 V. Pada tegangan yang lebih rendah dan pada model khusus mancanegara data-data ini bisa berlainan.

Cara memasang

- ▶ **Sebelum mulai dengan pekerjaan pada perkakas listrik, tariklah steker dari stopkontak.**

Penghisapan debu

- ▶ Debu dari bahan-bahan seperti misalnya cat yang mengandung timbel (timah hitam), beberapa jenis kayu, bahan mineral dan logam bisa berbahaya bagi kesehatan. Menyentuh atau menghirup debu-debu ini bisa mengakibatkan reaksi alergi dan/atau penyakit saluran pernafasan dari orang yang menggunakan mesin atau orang yang berada di dekatnya. Beberapa debu tertentu seperti misalnya debu kayu pohon quercus atau pohon fagus silvatica dianggap bisa mengakibatkan penyakit kanker, terutama dalam campuran dengan bahan-bahan tambahan untuk pengolahan kayu (kromat, obat pengawet kayu). Bahan-

42 | Bahasa Indonesia

bahan yang mengandung asbes hanya boleh dikerjakan oleh orang-orang yang ahli.

- Perhatikanlah supaya ada pertukaran udara di tempat kerja.
- Kami anjurkan supaya Anda memakai kedok anti debu dengan saringan (filter) kelas P2.

Taatilah peraturan-peraturan untuk bahan-bahan yang dikerjakan yang berlaku di negara Anda.

- ▶ **Hindari debu yang banyak terkumpul di tempat kerja.** Debu dapat menyulut dengan mudahnya.

Memasang/mengganti mata potong intan (lihat gambar A)

- ▶ **Untuk memasang dan mengganti mata potong intan kami anjurkan supaya Anda memakai sarung tangan pelindung.**
- ▶ **Mata potong intan menjadi sangat panas selama penggunaan, janganlah memegangnya, tunggulah sampai menjadi dingin.**
- ▶ **Gunakanlah selalu hanya mata potong intan yang betul ukurannya dan cocok garis tengah lubangnya, yang sesuai dengan data-data yang tercantum dalam bab Data teknis.**
- ▶ **Gunakanlah hanya mata potong berintan. Mata potong intan yang bersekmen hanya boleh mempunyai sudut pemotong negatif dan celah maksimal sebesar 10 mm di antara sekmen-sekmen.**

Memasang mata potong intan

- Bersihkan mata potong intan **6** dan semua jepitan dan bagian-bagian jepitan yang akan dipasangkan.
- Pasang flange penyangga **12** menggunakan O-ring **11** pada poros kerja **10**.
- Pasangkan mata potong intan **6** pada flens untuk poros kerja **12**. Arah panah pada mata potong intan **6** dan arah putaran pada kap pelindung **5** harus saling mencocoki.
- Pasangkan flens pemegang **13** dan putarkan masuk baut pemegang **15**.
- Dengan menggunakan kunci ring **14**, tahanan flens pemegang **13** dan dengan menggunakan kunci mur dalam **16**, kencangkan baut pemegang **15**.

Melepaskan mata potong intan

- Dengan menggunakan kunci ring **14**, tahanan flens pemegang **13** dan dengan menggunakan kunci mur dalam **16**, lepaskan baut pemegang **15**.
- Copotkan flens pemegang **13** dan mata potong intan **6** dari poros kerja **10**.

Penggunaan

Macam penggunaan

- ▶ **Sebelum mulai dengan pekerjaan pada perkakas listrik, tariklah steker dari stopkontak.**

Penyetelan pendahuluan kedalaman pemotongan (lihat gambar B)

- ▶ **Penyetelan pendahuluan kedalaman pemotongan hanya boleh dilakukan pada perkakas listrik yang berada pada penyetelan mati.**

Cocokkan kedalaman pemotongan pada ketebalan dari benda yang akan dikerjakan. Hasil pemotongan yang paling bagus didapatkan jika mata potong intan melampaui benda yang dikerjakan kira-kira 2 mm.

- Kendorkan baut kupu-kupu untuk penyetelan pendahuluan kedalaman pemotongan **4**. Untuk mengurangi kedalaman pemotongan, tarikkan perkakas listrik menjauh dari pelat dasar **8**, untuk menambah kedalaman pemotongan, tekan perkakas listrik ke pelat dasar **8**. Setelkan ukuran yang diperlukan pada skala untuk kedalaman pemotongan **3**. Kencangkan kembali baut kupu-kupu **4**.

Cara penggunaan

- ▶ **Perhatikan tegangan jaringan listrik! Tegangan jaringan listrik harus sesuai dengan tegangan listrik yang tercantum pada label tipe perkakas listrik.**

Menghidupkan/mematikan

Untuk menghemat energi, hidupkan perkakas listrik hanya jika Anda menggunakannya.

- Untuk **menghidupkan**, tekan tombol untuk menghidupkan dan mematikan **1** dan tahan tekanan.
- Untuk **mengunci** tombol untuk menghidupkan dan mematikan **1** yang tertekan, tekan tombol pengunci **2**.
- Untuk **mematikan**, lepaskan tombol untuk menghidupkan dan mematikan **1** atau jika dikunci dengan tombol pengunci **2**, tekan sebentar tombol **1** dan lepaskan.
- ▶ **Periksalah selalu mata potong intan sebelum menggunakan perkakas listrik. Mata potong intan harus dipasangkan dengan betul dan harus bisa berputar bebas. Lakukanlah uji coba selama paling sedikit 1 menit tanpa pembebanan. Janganlah menggunakan mata potong intan yang rusak, sembul atau yang menyebabkan getaran. Mata potong intan yang rusak bisa pecah dan menyebabkan luka-luka.**

Petunjuk-petunjuk untuk pemakaian

- ▶ **Berhati-hatilah jika membuat aluran instalasi pada dinding-dinding yang memikul beban, lihat bab „Petunjuk-petunjuk untuk statika“.**
- ▶ **Janganlah membebani perkakas listrik terlalu berat sehingga berhenti.**
- ▶ **Setelah pembebanan yang berat, biarkan perkakas listrik jalan tanpa pembebanan selama beberapa menit untuk mendinginkan alat kerja yang digunakan.**
- ▶ **Untuk pemotongan dengan kedalaman pemotongan melebihi 20 mm di bahan-bahan yang keras, misalnya beton, jangan memotong sekaligus, melainkan lakukan pemotongan beberapa kali, supaya motor tidak dibebani terlalu berat.**
- ▶ **Tahankan benda yang dikerjakan dengan alat pemegang, jika benda tidak mantap karena beratnya sendiri.**

► **Perkakas listrik ini hanya boleh digunakan untuk pemotongan tanpa air.**

► **Mata potong intan menjadi sangat panas selama penggunaan, janganlah memegangnya, tunggulah sampai menjadi dingin.**

Lindungilah piringan pemotong terhadap sengkolan, benturan dan lemak. Janganlah menekan piringan pemotong dari sisi sampingnya.

Janganlah meremkan mata potong intan yang masih berputar dengan cara menekankan sisi sampingnya.

Selama memotong bahan-bahan yang sangat keras, misalnya beton dengan kadar kerikil yang tinggi, mata potong intan bisa menjadi terlalu panas dan karena itu bisa rusak. Lingkaran bunga api yang berputar bersama dengan mata potong intan adalah tanda untuk hal ini.

Dalam hal ini hentikan pekerjaan memotong dan biarkan mata potong intan berputar sebentar tanpa beban pada kecepatan putaran maksimal untuk mendinginkannya.

Jika pekerjaan makan waktu semakin lama dan terjadi lingkaran bunga api, maka ini adalah tanda bahwa mata potong intan telah menjadi tumpul. Ini bisa diasah dengan cara memotong sedikit-sedikit pada bahan pengikisan, misalnya batu pasir kapur.

Arah pemotongan (lihat gambar C)

Arah pemotongan harus selalu berlawanan dengan arah gerak dari alat kerja. Jika tidak, ada bahaya perkakas listrik terlompat **dengan tiba-tiba** dari jalur pemotongan.

Petunjuk-petunjuk untuk statika

Membuat aluran insulasi pada dinding yang memikul beban harus tunduk pada peraturan-peraturan norma DIN 1053 Bagian 1 atau peraturan-peraturan yang berlaku di mancanegara.

Peraturan-peraturan ini mutlak harus ditaati. Sebelum memulai pekerjaan sedemikian, mintalah nasehat dari ahli statika, arsitek atau pengawas bangunan.

Rawatan dan servis

Rawatan dan kebersihan

- **Sebelum mulai dengan pekerjaan pada perkakas listrik, tarikhlah steker dari stopkontak.**
- **Perkakas listrik dan lubang ventilasi harus selalu dibersihkan supaya perkakas bisa digunakan dengan baik dan aman.**

Jika kabel listrik harus digantikan, pekerjaan ini harus dilakukan oleh Bosch atau Service Center untuk perkakas listrik Bosch yang resmi, supaya keselamatan kerja selalu terjamin.

Simpanlah dan tangani aksesoris secara cermat.

Layanan pasca beli dan konseling terkait pengoperasian

Layanan pasca beli Bosch menjawab semua pertanyaan Anda terkait reparasi dan maintenance serta suku cadang produk ini. Gambar tiga dimensi dan informasi terkait suku cadang dapat Anda lihat di:

www.bosch-pt.com

Tim konseling pengoperasian dari Bosch dengan senang hati membantu Anda, jika Anda hendak bertanya tentang produk-produk kami dan aksesorisnya.

Jika Anda hendak menanyakan sesuatu atau memesan suku cadang, sebutkan selalu nomor model yang terdiri dari 10 angka dan tercantum pada label tipe produk.

Indonesia

PT Robert Bosch
Palma Tower 10th Floor
Jl. RA Kartini II-S Kaveling 6 Sek II
Pondok Pinang, Kebayoran Lama
Jakarta Selatan 12310
Tel.: (021) 3005 5800
Fax: (021) 3005 5801
E-Mail: boschpowertools@id.bosch.com
www.bosch-pt.co.id

Cara membuang

Perkakas listrik, aksesoris dan kemasan sebaiknya didaur ulang sesuai dengan upaya untuk melindungi lingkungan hidup.



Janganlah membuang perkakas listrik dalam sampah rumah tangga!

Perubahan dapat terjadi tanpa pemberitahuan sebelumnya.

Tiếng Việt

Các Nguyên Tắc An Toàn

Cảnh báo tổng quát cách sử dụng an toàn dụng cụ điện cầm tay

⚠ CẢNH BÁO Đọc kỹ mọi cảnh báo an toàn và hướng dẫn. Không tuân thủ mọi cảnh báo và hướng dẫn được liệt kê dưới đây có thể bị điện giật, gây cháy và/hay bị thương tật nghiêm trọng.

Hãy giữ tất cả tài liệu về cảnh báo và hướng dẫn để tham khảo về sau.

Thuật ngữ “dụng cụ điện cầm tay” trong phần cảnh báo là để cập đến sự sử dụng dụng cụ điện cầm tay của bạn, loại sử dụng điện nguồn (có dây cắm điện) hay vận hành bằng pin (không dây cắm điện).

Khu vực làm việc an toàn

- **Giữ nơi làm việc sạch và đủ ánh sáng.** Nơi làm việc bừa bộn và tối tăm dễ gây ra tai nạn.
- **Không vận hành dụng cụ điện cầm tay trong môi trường dễ gây nổ, chẳng hạn như nơi có chất lỏng dễ cháy, khí đốt hay rác.** Dụng cụ

44 | Tiếng Việt

điện cầm tay tạo ra các tia lửa nên có thể làm rác bén cháy hay bốc khói.

- ▶ **Không để trẻ em hay người đến xem đứng gần khi vận hành dụng cụ điện cầm tay.** Sự phân tâm có thể gây ra sự mất điều khiển.

An toàn về điện

- ▶ **Phích cắm của dụng cụ điện cầm tay phải thích hợp với ổ cắm. Không bao giờ được cải biến lại phích cắm dưới mọi hình thức. Không được sử dụng phích tiếp hợp nối tiếp đất (dây mát).** Phích cắm nguyên bản và ổ cắm đúng loại sẽ làm giảm nguy cơ bị điện giật.
- ▶ **Tránh không để thân thể tiếp xúc với đất hay các vật có bề mặt tiếp đất như đường ống, lò sưởi, hàng rào và tủ lạnh.** Có nhiều nguy cơ bị điện giật hơn nếu cơ thể bạn bị tiếp hay nối đất.
- ▶ **Không được để dụng cụ điện cầm tay ngoài mưa hay ở tình trạng ẩm ướt.** Nước vào máy sẽ làm tăng nguy cơ bị điện giật.
- ▶ **Không được lạm dụng dây dẫn điện. Không bao giờ được nắm dây dẫn để xách, kéo hay rút phích cắm dụng cụ điện cầm tay. Không để dây gần nơi có nhiệt độ cao, dầu nhớt, vật nhọn bén hay bộ phận chuyển động.** Làm hỏng hay cuộn rối dây dẫn làm tăng nguy cơ bị điện giật.
- ▶ **Khi sử dụng dụng cụ điện cầm tay ngoài trời, dùng dây nối thích hợp cho việc sử dụng ngoài trời.** Sử dụng dây nối thích hợp cho việc sử dụng ngoài trời làm giảm nguy cơ bị điện giật.
- ▶ **Nếu việc sử dụng dụng cụ điện cầm tay ở nơi ẩm ướt là không thể tránh được, dùng thiết bị ngắt mạch tự động (RCD) bảo vệ nguồn.** Sử dụng thiết bị ngắt mạch tự động RCD làm giảm nguy cơ bị điện giật.

An toàn cá nhân

- ▶ **Hãy tỉnh táo, biết rõ mình đang làm gì và hãy sử dụng ý thức khi vận hành dụng cụ điện cầm tay. Không sử dụng dụng cụ điện cầm tay khi đang mệt mỏi hay đang bị tác động do chất gây nghiện, rượu hay dược phẩm gây ra.** Một thoáng mất tập trung khi đang vận hành dụng cụ điện cầm tay có thể gây thương tích nghiêm trọng cho bản thân.
- ▶ **Sử dụng trang bị bảo hộ cá nhân. Luôn luôn đeo kính bảo vệ mắt.** Trang bị bảo hộ như khẩu trang, giày chống trượt, nón bảo hộ, hay dụng cụ bảo vệ tai khi được sử dụng đúng nơi đúng chỗ sẽ làm giảm nguy cơ thương tật cho bản thân.
- ▶ **Phòng tránh máy khởi động bất ngờ. Bảo đảm công tắc máy ở vị trí tắt trước khi cắm vào nguồn điện và/hay lắp pin vào, khi nhắc máy lên hay khi mang xách máy.** Ngáng ngón tay vào công tắc máy để xách hay kích hoạt dụng cụ

điện cầm tay khi công tắc ở vị trí mở để dẫn đến tai nạn.

- ▶ **Lấy mọi chìa hay khóa điều chỉnh ra trước khi mở điện dụng cụ điện cầm tay.** Khóa hay chìa còn gắn dính vào bộ phận quay của dụng cụ điện cầm tay có thể gây thương tích cho bản thân.
- ▶ **Không rướn người. Luôn luôn giữ tư thế đứng thích hợp và thẳng bằng.** Điều này tạo cho việc điều khiển dụng cụ điện cầm tay tốt hơn trong mọi tình huống bất ngờ.
- ▶ **Trang phục thích hợp. Không mặc quần áo rộng lung thùng hay mang trang sức. Giữ tóc, quần áo và găng tay xa khỏi các bộ phận chuyển động.** Quần áo rộng lung thùng, đồ trang sức hay tóc dài có thể bị cuốn vào các bộ phận chuyển động.
- ▶ **Nếu có các thiết bị đi kèm để nối máy hút bụi và các phụ kiện khác, bảo đảm các thiết bị này được nối và sử dụng tốt.** Việc sử dụng các thiết bị gom hút bụi có thể làm giảm các độc hại liên quan đến bụi gây ra.

Sử dụng và bảo dưỡng dụng cụ điện cầm tay

- ▶ **Không được ép máy. Sử dụng dụng cụ điện cầm tay đúng loại theo đúng ứng dụng của bạn.** Dụng cụ điện cầm tay đúng chức năng sẽ làm việc tốt và an toàn hơn theo đúng tiến độ mà máy được thiết kế.
- ▶ **Không sử dụng dụng cụ điện cầm tay nếu như công tắc không tắt và mở được.** Bất kỳ dụng cụ điện cầm tay nào mà không thể điều khiển được bằng công tắc là nguy hiểm và phải được sửa chữa.
- ▶ **Rút phích cắm ra khỏi nguồn điện và/hay pin ra khỏi dụng cụ điện cầm tay trước khi tiến hành bất kỳ điều chỉnh nào, thay phụ kiện, hay cất dụng cụ điện cầm tay.** Các biện pháp ngăn ngừa như vậy làm giảm nguy cơ dụng cụ điện cầm tay khởi động bất ngờ.
- ▶ **Cất giữ dụng cụ điện cầm tay không dùng tới nơi trẻ em không lấy được và không cho người chưa từng biết dụng cụ điện cầm tay hay các hướng dẫn này sử dụng dụng cụ điện cầm tay.** Dụng cụ điện cầm tay nguy hiểm khi ở trong tay người chưa được chỉ cách sử dụng.
- ▶ **Bảo quản dụng cụ điện cầm tay. Kiểm tra xem các bộ phận chuyển động có bị sai lệch hay kẹt, các bộ phận bị rạn nứt và các tình trạng khác có thể ảnh hưởng đến sự vận hành của máy. Nếu bị hư hỏng, phải sửa chữa máy trước khi sử dụng.** Nhiều tai nạn xảy ra do bảo quản dụng cụ điện cầm tay tồi.
- ▶ **Giữ các dụng cụ cất bên và sạch.** Bảo quản đúng cách các dụng cụ cất có cạnh cắt bén làm giảm khả năng bị kẹt và dễ điều khiển hơn.

► **Sử dụng dụng cụ điện cầm tay, phụ kiện, đầu cài v. v., đúng theo các chỉ dẫn này, hãy lưu ý đến điều kiện làm việc và công việc phải thực hiện.** Sử dụng dụng cụ điện cầm tay khác với mục đích thiết kế có thể tạo nên tình huống nguy hiểm.

Bảo dưỡng

► **Đưa dụng cụ điện cầm tay của bạn đến thợ chuyên môn để bảo dưỡng, chỉ sử dụng phụ tùng đúng chủng loại để thay.** Điều này sẽ đảm bảo sự an toàn của máy được giữ nguyên.

Các cảnh báo an toàn dành cho máy cắt rời

- **Chấn bảo vệ được giao kèm phải được gắn chắc chắn vào dụng cụ điện, và đặt ở tư thế tạo sự an toàn tối đa, sao cho phần đĩa phô ra hướng về người vận hành là ít nhất. Đặt tư thế của bạn và người đứng gần tránh khỏi cùng nằm trên một mặt phẳng của đĩa đang quay.** Chấn bảo vệ giúp bảo vệ người vận hành tránh khỏi các mảnh vỡ của đĩa và sự vô ý chạm phải đĩa.
- **Chỉ sử dụng đĩa cắt đứt kim cương cho dụng cụ điện của bạn.** Bạn lắp một phụ kiện nào đó vào, chỉ vì nó có thể lắp vào dụng cụ điện của bạn, phụ kiện này không bảo đảm an toàn để hoạt động.
- **Tốc độ danh định của phụ tùng phải ít nhất là bằng với tốc độ tối đa được ghi trên dụng cụ điện cầm tay.** Phụ tùng chạy nhanh hơn tốc độ danh định của chúng có thể văng vỡ ra.
- **Chỉ được sử dụng đĩa đúng như khuyến cáo dành cho ứng dụng. Ví dụ: không được dùng mặt hông của đĩa cắt đứt để mài.** Đĩa cắt đứt hạt mài được thiết kế để mài bằng rìa ngoài biên, dùng lực áp lên hông các đĩa này có thể làm chúng bị vỡ.
- **Luôn luôn sử dụng gờ vành đĩa có đường kính đúng, còn nguyên vẹn cho đĩa được bạn chọn.** Gờ vành đĩa thích hợp chống đỡ cho đĩa do đó, làm giảm khả năng làm cho đĩa bị vỡ.
- **Đường kính ngoài và độ dày phụ tùng của bạn phải nằm trong công suất danh định của dụng cụ điện của bạn.** Không thể bảo vệ hay điều khiển đúng cách được với phụ tùng không đúng kích cỡ.
- **Kích cỡ của lỗ lắp trục gá của đĩa và mặt bích phải vừa đúng với trục của dụng cụ điện.** Đĩa và mặt bích mà lỗ lắp trục gá của đĩa không vừa với bộ phận gá lắp của dụng cụ điện sẽ chạy chao đảo, rung lắc mạnh và có thể dẫn đến sự mất kiểm soát máy.

- **Không được sử dụng đĩa đã bị hư hỏng. Trước mỗi lần sử dụng, kiểm tra đĩa xem có bị nứt hay sứt mẻ không. Nếu dụng cụ điện hay đĩa bị rơi, kiểm tra xem có hư hỏng hoặc lắp đĩa còn tốt vào. Sau khi kiểm tra và lắp đĩa vào, đặt tư thế của bạn và người đứng gần tránh khỏi cùng nằm trên một mặt phẳng của đĩa đang quay, và cho dụng cụ điện chạy không tải tối đa trong một phút.** Đĩa bị hư hỏng thông thường sẽ bị vỡ ra trong thời gian chạy kiểm tra này.
- **Hãy mang trang bị bảo hộ vào. Tùy theo loại công việc, sử dụng chắn che mặt, kính chụp mắt hay kính bảo hộ. Để thích hợp, mang mặt nạ chống bụi, đồ dùng bảo hộ tai nghe, găng tay và quần áo bảo hộ có khả năng ngăn bụi đá hay các mảnh vỡ của vật gia công bắn vào.** Sự bảo vệ mắt là phải có khả năng ngăn được các mảnh vỡ văng ra từ các ứng dụng khác nhau tạo nên. Mặt nạ chống bụi hay khẩu trang phải có khả năng lọc được các hạt nhỏ phát sinh ra từ chính các hoạt động máy của bạn. Kéo dài thời gian để tai trần tiếp xúc với tiếng ồn có cường độ mạnh có thể gây điếc.
- **Bố trí những người đứng xem ở khoảng cách an toàn ra xa khỏi nơi làm việc. Những ai đi vào khu vực làm việc phải có trang bị bảo hộ cá nhân.** Mảnh vỡ của vật gia công hay của phụ tùng có khả năng văng ra và gây thương tích bên ngoài khu vực vận hành máy.
- **Chỉ nắm giữ dụng cụ điện ở phần nắm đã được cách điện, khi vận hành máy ở nơi mà dụng cụ cắt có thể chạm phải dây điện được thiết kế dấu không nhìn thấy được hay chính dây dẫn của máy.** Dụng cụ cắt chạm phải dây "có điện" có thể làm cho các bộ phận kim loại không được bao bọc "có điện" và giết người vận hành máy.
- **Đặt vị trí của dây dẫn tránh xa các phụ kiện xoay.** Nếu bạn bị mất điều khiển, dây có thể bị cắt đứt hay gặp sự cố bất ngờ, tay hay cánh tay của bạn có thể bị kéo vào đĩa đang quay.
- **Không bao giờ được đặt dụng cụ điện xuống cho đến khi phụ kiện đã dừng quay hoàn toàn.** Đĩa đang quay có thể bám vào bề mặt và kéo dụng cụ điện ra khỏi sự kiểm soát của bạn.
- **Không cho dụng cụ điện hoạt động khi đang mang bên hông.** Vô tình chạm vào phụ tùng đang quay, quần áo bạn có thể bị quấn vào, kéo phụ tùng xia vào mình bạn.
- **Thường xuyên làm sạch các khe thông gió của dụng cụ điện.** Quạt gió mô tơ sẽ kéo bụi nằm trong vỏ máy ra và sự tích tụ quá nhiều bột kim loại có thể gây nên các nguy hiểm về điện.
- **Không được vận hành dụng cụ điện gần nơi có các chất dễ cháy.** Tia lửa bắn ra có thể gây cháy các nguyên liệu này.

46 | Tiếng Việt

- ▶ **Không sử dụng phụ tùng loại cần có chất lỏng làm mát.** Sử dụng nước hay các loại chất lỏng làm mát khác có thể dẫn đến việc chết do điện giật hay bị điện giật.

Lực dội ngược và các cảnh báo liên quan

- ▶ Dội ngược là một phản ứng đột ngột do đĩa đang quay bị kẹt chặt lại hay gặp sự cố bất ngờ. Sự cố bất ngờ hay bị kẹt chặt làm cho phụ tùng đang quay nhanh bị ngừng đột ngột, hậu quả là làm cho dụng cụ điện bị mất điều khiển nên quay ngược lại chiều quay của đĩa ngay thời điểm bị kẹt chặt. Ví dụ, nếu một đĩa hạt mài bị vật gia công kẹt chặt hay gặp sự cố bất ngờ, cạnh của đĩa đang tiến vào điểm bị kẹt có thể bập lên bề mặt của vật liệu làm cho đĩa leo ra hay bật ngược lại. Đĩa có thể nhảy hướng về phía trước hay vắng ra khỏi người điều khiển máy, tùy theo hướng chuyển động của đĩa ngay thời điểm bị kẹt. Các đĩa dạng hạt cũng có thể bị vỡ khi gặp phải sự cố này. Sự dội ngược là hậu quả của việc sử dụng dụng cụ điện không đúng chức năng và/hay qui trình thao tác không đúng cách hoặc do điều kiện và có thể tránh được bằng cách tuân theo các cách phòng tránh thích hợp được trình bày dưới đây.
- ▶ **Luôn giữ chắc dụng cụ điện và tạo tư thế thân thể và cánh tay cho phép bạn chịu được lực dội ngược. Luôn luôn sử dụng tay nắm phụ, nếu có kèm theo máy, để khống chế tối đa các phản ứng dội ngược hay vặn xoắn trong thời điểm khởi động.** Người vận hành máy có thể kiểm soát được các phản ứng vặn xoắn hay lực dội ngược nếu tuân thủ các chỉ dẫn phòng tránh đúng cách.
- ▶ **Không bao giờ được để tay của bạn gần phụ tùng đang quay.** Phụ tùng có thể động ngược lên tay của bạn.
- ▶ **Không bao giờ được để thân thể của bạn cùng hàng với đĩa đang quay.** Sự dội ngược sẽ làm quay dụng cụ điện ngược chiều với chiều chuyển động của đĩa tại thời điểm gặp sự cố bất ngờ.
- ▶ **Hãy đặt biệt lưu ý khi gia công các góc cạnh, cạnh bên v.v. Tránh không để phụ tùng bị nảy lên hay bị chèn chặt.** Các góc, cạnh bên hay sự nảy lên có khuynh hướng làm cho phụ tùng đang quay bị trở ngại và làm mất điều khiển hay bị dội ngược.
- ▶ **Không lắp lưới cửa xích, dao khắc gỗ hay đĩa kim cương hình quạt có khe hở ở rìa ngoài biên lớn hơn 10 mm hay đĩa cửa răng.** Những loại lưới như vậy thường xuyên tạo ra sự dội ngược và làm mất điều khiển.
- ▶ **Không được “làm kẹt” đĩa hay đặt áp lực lên đĩa quá mức. Không được cố cắt sâu quá mức.** Sự đặt áp lực lên đĩa quá mức làm tăng trọng tải

và dễ làm đĩa bị xoắn hay kẹt chặt trong mạch cắt và tạo ra khả năng bị dội ngược hay làm vỡ đĩa.

- ▶ **Khi đĩa bị kẹt chặt hay khi việc cắt bị gián đoạn do bất cứ nguyên nhân nào, tắt dụng cụ điện và giữ dụng cụ điện nguyên tại vị trí cho đến khi đĩa hoàn toàn dừng quay hẳn. Không bao giờ cố lấy đĩa ra khỏi mạch cắt khi đĩa còn đang chuyển động, nếu không, có thể xảy ra sự dội ngược.** Kiểm tra và áp dụng các biện pháp thích hợp để loại bỏ các nguyên nhân gây ra kẹt đĩa.
- ▶ **Không được mở máy lại để cắt khi đĩa còn nằm trong vật gia công. Hãy để cho đĩa chạy hết công suất và cẩn thận đưa vào mạch cắt lại.** Đĩa có thể bị kẹt, leo lên trên hay giật ngược nếu dụng cụ điện được khởi động lại khi còn ở trong vật gia công.
- ▶ **Kê đỡ các tấm ván hay bất cứ vật gia công quá khổ nào để làm giảm thiểu thấp nhất nguy cơ làm đĩa bị kẹt hay bị dội ngược.** Các vật liệu gia công lớn có khuynh hướng võng xuống do chính trọng lượng của chúng. Các vật kê đỡ phải được đặt dưới vật gia công, gần mạch cắt và gần rìa của vật gia công ở hai bên đĩa.
- ▶ **Hãy cẩn trọng hơn khi thực hiện việc “cắt mò” vào các bức tường có sẵn hay các khu vực không nhìn thấy được.** Phần nhô ra của đĩa có thể cắt phạm vào ống dẫn khí đốt hay nước, đường điện hay các vật thể khác, sự cố này có thể gây ra sự dội ngược.

Các cảnh báo phụ thêm

Hãy mang kính bảo hộ.



Hãy mang mặt nạ chống bụi.



- ▶ **Sử dụng kẹp hay một phương cách thực tế nào khác để tạo sự an toàn, và hỗ trợ vật gia công gắn chắc vào sàn làm việc có tư thế vững chắc.** Dùng tay hay tựa vào thân mình để giữ vật gia công làm cho vật này không ổn định, và có thể dẫn đến sự mất kiểm soát.
- ▶ **Mang dụng cụ bảo vệ thính giác, kính bảo hộ, khẩu trang chống bụi và găng tay.** Về khẩu trang chống bụi, ít nhất là nên sử dụng khẩu trang lọc được các hạt bụi nhỏ nhất, loại che nửa mặt có bộ lọc cấp FFP 2.
- ▶ **Dùng thiết bị dò tìm thích hợp để xác định nếu có các công trình công cộng lắp đặt ngầm trong khu vực làm việc hay liên hệ với Cty**

công trình Công cộng địa phương để nhờ hỗ trợ. Dụng cụ đường dẫn điện có thể gây ra hỏa hoạn và điện giật. Làm hư hại đường dẫn khí ga có thể gây nổ. Làm thủng đường dẫn nước gây hư hỏng tài sản hay có khả năng gây ra điện giật.

- ▶ **Không được chạm vào lưỡi cắt ngay sau khi xong việc, hãy để cho lưỡi cắt nguội lại trước đã.** Lưỡi cắt trở nên rất nóng trong thời gian hoạt động.
- ▶ **Khi sử dụng máy, luôn luôn giữ chặt máy bằng cả hai tay và tạo tư thế đứng vững chãi.** Dụng cụ điện cầm tay vận hành an toàn hơn khi dùng cả hai tay.

Mô Tả Sản Phẩm và Đặc Tính Kỹ Thuật



Đọc kỹ mọi cảnh báo an toàn và mọi hướng dẫn. Không tuân thủ mọi cảnh báo và hướng dẫn được liệt kê dưới đây có thể bị điện giật, gây cháy và/hay bị thương tật nghiêm trọng.

Dành sử dụng cho

Với sự kèm tựa chắc chắn của chân đế khuôn bao cùng với việc sử dụng chắn bảo vệ lưỡi cắt, máy được thiết kế để cắt theo đường ngang hay cắt rãnh các loại vật liệu khoáng chất như là đá hoa cương mà không cần sử dụng nước. Máy không được thiết kế để cắt gỗ, nhựa mù hay kim loại.

Biểu trưng của sản phẩm

Sự đánh số các biểu trưng của sản phẩm là để tham khảo hình minh họa của máy trên trang hình ảnh.

- 1 Công tắc Tắt/Mở
- 2 Nút khóa giữ chế độ tự-chạy của công tắc Tắt/Mở
- 3 Thước đo cỡ sâu cắt
- 4 Bu-long tai hồng dùng chọn trước chiều sâu cắt
- 5 Chắn bảo vệ lưỡi cắt
- 6 Đĩa cắt hạt kim cương*
- 7 Mũi tên chỉ hướng xoay của trục quay
- 8 Chân đế khuôn bao
- 9 Tay nắm (bề mặt nắm cách điện)
- 10 Trục dẫn động
- 11 Vòng chữ O
- 12 Bích lắp
- 13 Bích kẹp
- 14 Chia vận đầu vòng
- 15 Bu-long bắt cố định
- 16 Khóa lực giác

*Phụ tùng được trình bày hay mô tả không phải là một phần của tiêu chuẩn hàng hóa được giao kèm theo sản

phẩm. Bạn có thể tham khảo tổng thể các loại phụ tùng, phụ kiện trong chương trình phụ tùng của chúng tôi.

Thông số kỹ thuật

Máy Cắt Gạch Đá	GDC 140	
Mã số máy		0 601 3A0 0..
Công suất vào danh định	W	1400
Tốc độ không tải	v/p	13200
Đường kính tối đa cho đĩa cắt kim cương	mm	110/115
Chiều rộng đĩa cắt, tối thiểu	mm	1,6
Chiều rộng đĩa cắt, tối đa	mm	2,2
Lỗ lắp vào	mm	20
Công suất cắt, tối đa	mm	32,5/35
Trọng lượng theo Qui trình EPTA-Procedure 01:2014 (chuẩn EPTA 01:2014)	kg	2,9
Cấp độ bảo vệ		□/II
Các giá trị đã cho có hiệu lực cho điện thế danh định [U] 230 V. Đối với điện thế thấp hơn và các loại máy dành riêng cho một số quốc gia, các giá trị này có thể thay đổi.		

Sự lắp vào

- ▶ **Trước khi tiến hành bất cứ việc gì trên máy, kéo phích cắm điện nguồn ra.**

Bộ phận hút bụi

- ▶ Mặt bụi từ các vật liệu được sơn phủ ngoài có chứa chì trên một số loại gỗ, khoáng vật và kim loại có thể gây nguy hại đến sức khỏe con người. Dụng cụ hay hít thở các bụi này có thể làm người sử dụng hay đứng gần bị dị ứng và/hoặc gây nhiễm trùng hệ hô hấp.

Một số mặt bụi cụ thể, ví dụ như bụi gỗ sỏi hay đá, được xem là chất gây ung thư, đặc biệt là có liên quan đến các chất phụ gia dùng xử lý gỗ (chất cromat, chất bảo quản gỗ). Có thể chỉ nên để thợ chuyên môn gia công các loại vật liệu có chứa amiăng.

- Tạo không khí thông thoáng nơi làm việc.
- Khuyến nghị nên mang mặt nạ phòng độc có bộ lọc cấp P2.

Tuân thủ các qui định của quốc gia bạn liên quan đến loại vật liệu gia công.

- ▶ **Tránh không để rác tích tụ tại nơi làm việc.** Rác có thể dễ dàng bắt lửa.

Lắp/Thay Đĩa Cắt Kim Cương (xem hình A)

- ▶ **Khi lắp hay thay đĩa cắt kim cương, xin khuyến cáo nên mang găng tay bảo vệ vào.**
- ▶ **Đĩa cắt kim cương trở nên rất nóng trong thời gian hoạt động; không được chạm vào chúng cho đến khi đã nguội.**

48 | Tiếng Việt

► **Luôn luôn sử dụng đĩa cắt kim cương đúng kích cỡ, có lỗ lắp đĩa vừa khớp, và phù hợp với thông tin được liệt kê trong phần dữ liệu kỹ thuật.**

► **Chỉ sử dụng đĩa cắt có đầu cắt kim cương. Đĩa cắt kim cương hình quạt chỉ có thể được có các góc cắt âm và khe nằm giữa các phân đoạn tối đa 10 mm.**

Lắp Đĩa Cắt Kim Cương

- Lau sạch đĩa cắt kim cương 6 và tất cả các bộ phận kẹp được ráp vào.
- Cắm mặt bích nhận 12 với vòng O 11 lên trục chính truyền động 10.
- Đặt đĩa cắt kim cương 6 lên trên bích lắp 12. Chiều mũi tên trên đĩa cắt kim cương 6 và mũi tên chỉ chiều quay trên chắn bảo vệ lưỡi cắt 5 phải cùng chiều.
- Lắp bích lắp 13 và vận bu-long cố định 15 vào.
- Giữ chắc bích kẹp 13 bằng chia vận đầu vòng 14 và siết chặt bu-long cố định 15 bằng chia vận sáu cạnh 16.

Tháo Đĩa Cắt Kim Cương

- Giữ chắc bích kẹp 13 bằng chia vận đầu vòng 14 và nới lỏng bu-long cố định 15 bằng chia vận sáu cạnh 16.
- Tháo bích kẹp 13 và đĩa cắt kim cương 6 ra khỏi trục dẫn động 10.

Vận Hành**Chế Độ Hoạt Động**

► **Trước khi tiến hành bất cứ việc gì trên máy, kéo phích cắm điện nguồn ra.**

Chọn Trước Cỡ Sâu Cắt (xem hình B)

► **Cỡ sâu cắt chỉ có thể chọn đặt trước khi đã tắt máy.**

Đáp ứng theo độ dày của vật liệu để điều chỉnh cỡ sâu cắt. Để đạt được hiệu quả tốt nhất, đĩa cắt kim cương phải nhô ra ngoài vật liệu khoảng 2 mm.

- Nới lỏng bu-long tại hồng 4. Đối với cỡ sâu được cắt nhỏ, kéo máy từ chân đế khuôn bao 8; Đối với cỡ sâu được cắt lớn, đẩy máy về hướng chân đế khuôn bao 8. Điều chỉnh cỡ sâu cắt yêu cầu tại thước điều chỉnh cỡ sâu cắt 3. Siết chặt bu-long tại hồng 4 lại như trước.

Bắt Đầu Vận Hành

► **Tuân thủ theo đúng điện thế! Điện thế nguồn phải đúng với điện thế đã ghi rõ trên nhãn máy.**

Bật Mở và Tắt

Để tiết kiệm năng lượng, chỉ cho dụng cụ điện hoạt động khi sử dụng.

- Để khởi **động máy**, nhấn công tắc Tắt/Mở 1 và nhấn giữ xuống.
- Để khóa, **nhấn công tắc Tắt/Mở 1**, nhấn nút khóa tự-chạy 2 vào.
- Để **tắt máy**, nhả công tắc Tắt/Mở 1 ra hay khi công tắc đã được khóa bằng nút khóa tự-chạy 2, nhấn nhanh công tắc Tắt/Mở 1 và rời nhả ra.

► **Kiểm tra đĩa cắt kim cương trước khi sử dụng. Đĩa cắt kim cương phải được lắp vào đúng cách và có thể quay tự do. Tiến hành cho chạy thử không tải ít nhất là 1 phút. Không được sử dụng đĩa cắt kim cương bị hỏng, chạy mất thăng bằng, hay bị rung lắc.** Đĩa cắt kim cương bị hỏng có thể bị vỡ và gây thương tích cho người sử dụng.

Hướng Dẫn Sử Dụng

- **Vận dụng sự thận trọng khi cắt rãnh vào các vách tường có cấu trúc phức hợp; xem Phần “Thông Tin Về Cấu Trúc”.**
- **Không được bắt máy làm việc quá sức đến mức máy bị liệt.**
- **Sau khi để dụng cụ điện hoạt động với cường độ cao, tiếp tục cho máy chạy không tải vài phút để làm nguội dụng cụ cắt/mài xuống.**
- **Để cắt độ sâu lớn hơn 20 mm vào loại vật liệu cứng chắc, ví dụ như bê-tông, ứng dụng nhiều lần cắt để cho mô-tơ không bị quá tải.**
- **Kẹp chặt vật gia công nếu vật đó không cố định được do sức nặng của chính nó.**
- **Máy chỉ có thể sử dụng để cắt khô.**
- **Đĩa cắt kim cương trở nên rất nóng trong thời gian hoạt động; không được chạm vào chúng cho đến khi đã nguội.**

Bảo vệ đĩa cắt không bị đập mạnh, va đập hay dính dầu mỡ. Không để cho đĩa cắt phải chịu lực áp lên hông.

Không được hãm tròn quay của đĩa cắt kim cương bằng cách tạo lực áp ngang hông đĩa.

Để cắt loại vật liệu đặc biệt rắn, vd., bê-tông có mật độ sỏi cao, đĩa cắt hạt kim cương có thể bị quá nóng và hậu quả là bị hư hỏng. Sự cố này được biểu hiện rõ bằng tia lửa bắn ra vòng tròn, quay cùng với đĩa cắt.

Trong trường hợp này, ngừng ngay công việc cắt và làm cho đĩa cắt nguội xuống bằng cách cho máy chạy với tốc độ tối đa không tải một thời gian ngắn.

Tiến độ gia công bị giảm thấy rõ và tia lửa bắn ra vòng tròn là biểu hiện của đĩa cắt đã bắt đầu cùn. Cắt lại nhanh gọn vào vật liệu có chất mài mòn (vd., gạch vôi pha cát) có thể mài cho đĩa bén lại.

Chiều Cắt (xem hình C)

Máy luôn luôn phải được vận hành theo chuyển động mài ở tư thế thẳng đứng. Nếu không như vậy,

có sẵn nguy cơ bị đẩy mà không điều khiển được máy ra khỏi mạch cắt.

Thông Tin Về Cấu Trúc

Cắt rãnh trên các vách tường có kết cấu phức hợp phải tuân theo Tiêu chuẩn DIN 1053 Phần 1, hay theo qui định của nước sở tại.

Những qui định này phải được tuân thủ trong mọi tình huống. Trước khi tiến hành công việc, hãy tham khảo ý kiến của kỹ sư thiết kế, kiến trúc sư hay người giám sát công trình có trách nhiệm.

Bảo Dưỡng và Bảo Quản

Bảo Dưỡng Và Làm Sạch

- ▶ **Trước khi tiến hành bất cứ việc gì trên máy, kéo phích cắm điện nguồn ra.**
- ▶ **Để được an toàn và máy hoạt động đúng chức năng, luôn luôn giữ máy và các khe thông gió được sạch.**

Nếu như cần phải thay dây dẫn điện thì công việc này phải do hãng Bosch, hay một đại lý được Bosch ủy nhiệm thực hiện để tránh gặp sự nguy hiểm do mất an toàn.

Xin vui lòng bảo quản và giữ gìn tay nắm và phụ tùng cẩn thận.

Dịch Vụ Sau Khi Bán và Dịch Vụ Ứng Dụng

Bộ phận phục vụ hàng sau khi bán của chúng tôi sẽ trả lời các câu hỏi liên quan đến việc bảo trì và sửa chữa các sản phẩm cũng như các phụ tùng thay thế của bạn. Hình ảnh chi tiết và thông tin phụ tùng thay thế có thể tìm hiểu theo địa chỉ dưới đây:

www.bosch-pt.com

Bộ phận dịch vụ ứng dụng Bosch sẽ hân hạnh trả lời các câu hỏi liên quan đến các sản phẩm của chúng tôi và linh kiện của chúng.

Trong tất cả các phản hồi và đơn đặt phụ tùng, xin vui lòng luôn luôn nhập số hàng hóa 10 chữ số theo nhãn của hàng hóa.

Việt Nam

CN Cty TNHH Bosch Vietnam tại TP. Hồ Chí Minh
Tầng 10, Tòa nhà 194 Golden
473 Điện Biên Phủ
Phường 25, Quận Bình Thạnh
Tp. Hồ Chí Minh
Tel.: (08) 6258 3690
Fax: (08) 6258 3692
Hotline: (08) 6250 8555
www.bosch-pt.com.vn

Campuchia

Công ty TNHH Robert Bosch (Campuchia)
Đơn nguyên 8BC, GT Tower, Tầng 08,
Đường 169, Tiệp Khắc Blvd, Sangkat Veal Vong,
Khan 7 Makara, Phnom Penh
VAT TIN : 100 169 511
Tel.: +855 23 900 685
Tel.: +855 23 900 660
www.bosch.com.kh

Thải bỏ

Máy, linh kiện và bao bì phải được phân loại để tái chế theo hướng thân thiện với môi trường.



Không được thải bỏ dụng cụ điện vào chung với rác sinh hoạt!

Được quyền thay đổi nội dung mà không phải thông báo trước.

مصر

يونيمار

رقم 20 مركز الخدمات

التجمع الاول - القاهرة الجديدة - مصر

الهاتف: +2 02 224 78072 - 73 / +2 02 224 76091 - 95

لفاكس: +2 022 2478075

البريد الالكتروني: boschegypt@unimaregypt.com

التخلص من العدة الكهربائية

ينبغي التخلص من العدد الكهربائية والتوابع والغلاف بطريقة منصفة للبيئة عن طريق النفايات القابلة لإعادة التصنيع.

لا ترم العدد الكهربائية في النفايات المنزلية!



نحتفظ بحق إدخال التعديلات.

ينبغي تسير العدة الكهربائية دائماً بعكس اتجاه الدوران، وإلا فقد يتشكل خطر انصغاطها إلى خارج خط القطع دون إمكانية التحكم بها.

الملاحظات بصدد الاستاتيك

تخضع الشطوب في الجدران الحاملة إلى معيار المقاييس الدولية 1053 الجزء 1 أو للمعايير المحلية المقررة. التقيد بهذه الأحكام ضروري. استشر مهندس الاستاتيك أو مهندس العمار المسؤول أو مدير العمار المسؤول قبل البدء بالشغل.

الصيانة والخدمة

الصيانة والتنظيف

◀ اسحب القابس من مقبس الشبكة الكهربائية قبل إجراء أي عمل على العدة الكهربائية.

◀ حافظ دائماً على نظافة العدة الكهربائية وسقوق التهوية للعمل بشكل جيد وأمن.

إن تطلب الأمر استبدال خط الامداد، فينبغي أن يتم ذلك من قبل شركة بوش أو من قبل مركز خدمة زبائن وكالة بوش للعدد الكهربائية، لتجنب التعرض للمخاطر. خزن وعامل التوابع بعناية.

خدمة الزبائن ومشورة الاستخدام

يجيب مركز خدمة الزبائن على أسئلتكم بصدد تصليح وصيانة المنتج وأيضاً بما يخص قطع الغيار. يعثر على الرسوم المصددة وعلى المعلومات عن قطع الغيار بموقع: www.bosch-pt.com

سيكون من دواعي سرور فرقة مشورة الاستخدام بشركة بوش أن تساعدكم بخصوص الأسئلة عن منتجاتنا وتوابعها. يلزم ذكر رقم الصنف ذو الغانات العشر وفقاً للوحة صنع المنتج عند إرسال أية استفسارات أو طلبيات قطع غيار. يرجى التوجه إلى التاجر المختص بما يتعلّق بأمر الضمان والتصليح وتأمين قطع الغيار.

المغرب

اوتبرو

ر3، زنقة الملازم محمد محروض

الدار البيضاء- 20300 المغرب

الهاتف: +212 (0) 522 400 615 / +212 (0) 522 400 409

البريد الإلكتروني: service@outipro.ma

الجزائر

سيستال

المنطقة الصناعية احمادان

بجاية 06000 - الجزائر

الهاتف: +213 (0) 982 400 992

الفاكس: +213 (0) 34201569

البريد الإلكتروني: sav@siestal-dz.com

تونس

صوتال

م.ص. المجمع سان كوبان رقم 99-25

2014. مكرين رياض تونس

الهاتف: +216 71 428 770

الفاكس: +216 71 354 175

البريد الإلكتروني: sotel2@planet.tn

◀ انتبه إلى جهد الشبكة الكهربائية! يجب أن يتطابق جهد منبع التيار مع المعلومات المذكورة على لائحة طراز الجهاز. يمكن أن يتم تشغيل العدد الكهربائية المحددة بـ 230 فولت بـ 220 فولت أيضاً.

التشغيل والإطفاء

شغل العدة الكهربائية فقط عندما تستخدمها، من أجل توفير الطاقة.

- اضغط من أجل تشغيل العدة الكهربائية على مفتاح التشغيل والإطفاء 1 وحافظ على إبقائه مضغوطاً.

- لتثبيت مفتاح التشغيل والإطفاء 1 وهو في حالة الانصغاط، يضغط زر التثبيت 2.

- من أجل إطفاء العدة الكهربائية يترك مفتاح التشغيل والإطفاء 1 أو إن كان قد تم تثبيته بواسطة مفتاح التثبيت 2 فيضغط مفتاح التشغيل والإطفاء 1 للحظة ثم يترك بعد ذلك.

◀ تفحص قرص القطع الاملاسي قبل الاستخدام. يجب أن يكون قد تم تركيب قرص القطع الاملاسي بشكل سليم وأن يتمكن من الدوران بلاطاقة. شغله بشكل تجريبي دون حمل لمدة دقيقة واحدة على الأقل. لا تستخدم أقراص القطع الاملاسية التالفة أو الغير دائرية أو المهترئة. قد تتفجر أقراص القطع الاملاسية التالفة، فتسبب الإصابات.

ملاحظات شغل

◀ احترس عند الشطب بالجدران الحاملة: تراجع فقرة "الملاحظات بصدد الاستاتيك".

◀ لا تزيد الحمل على العدة الكهربائية إلى حد توقفها عن الحركة.

◀ اترك العدة الكهربائية تدور على الفاضي لعدة دقائق بعد تحميلها بشكل شديد من أجل تبريد عدة الشغل.

◀ عند إجراء القطوع التي يزيد عمقها عن 20 مم في المواد الصلبة كالخرسانة مثلاً، ينبغي تنفيذ العمل على عدة مراحل، لكي لا يتم فرط تحميل المحرك.

◀ شدّ قطعة الشغل بملزمة إن لم تثبت بأمان من جراء وزنها.

◀ يجوز استعمال العدة الكهربائية للقطع الجاف فقط.

◀ تسخن أقراص القطع الاملاسية أثناء العمل كثيراً، لا تلمسها قبل أن تبرد.

احم قرص القطع من الطرقات والصدمات والشحم. لا تعرض قرص القطع لضغط جانبي.

لا تكبح حركة أقراص القطع الاملاسية التي تنهي دورانها من خلال ضغط جانبي معاكس.

إن قطع المواد الشديدة القساوة كالخرسانة ذات نسبة حمصي عالية مثلاً، قد يؤدي إلى فرط إحماء قرص القطع الاملاسي مما يؤدي إلى تلفه. ويشير طوق من الشرر يدور حول قرص القطع الاملاسي إلى ذلك بشكل واضح.

ويجب التوقف عن عملية القطع في هذه الحالة وتشغيل قرص القطع الاملاسي لفترة وجيزة دون حمل بعدد الدوران اللاحملي لتبريده.

يشير تراجع قدرة الأداء بوضوح وتشكل طوق من الشرر إلى أن قرص القطع الاملاسي قد أمسى تالماً. ويمكن إعادة شحذه عن طريق إجراء قطوع قصيرة في مادة تجليخ، كاللجر الرملي الكلسي مثلاً.

اتجاه القطع (تراجع الصورة C)

◀ تجنب تراكم الغبار بمكان العمل. يجوز أن تشتعل الأغبرة بسهولة.

تركيب/استبدال قرص القطع الالماسي (تراجع الصورة A)

- ◀ ينصح بارتداء قفازات واقية عند تركيب واستبدال أقراص القطع الالماسية.
- ◀ تسخن أقراص القطع الالماسية أثناء العمل كثيرا، لا تلمسها قبل أن تبرد.
- ◀ استخدم دائما قرص قطع الماسي بالمقاس الصحيح وبغجوة الحضن الملائمة التي تتوافق مع البيانات الفنية.
- ◀ استخدم فقط أقراص القطع المرصعة بالألماس. يجوز لأقراص القطع بالمقاطع الالماسية أن تمتاز بزوايا قص سلبية فقط وبشقوق أقصاها 10 مم بين المقاطع.

تركيب قرص القطع الالماسي

- نظف قرص القطع الالماسي 6 وجميع أجزاء الشد المطلوب تركيبها.
 - أدخل فلانشة التثبيت 12 مع حلقة منع التسرب 11 في بريمة الإدارة 10.
 - ركب قرص القطع الالماسي 6 على شفة الوصل 12.
 - ينبغي أن يتطابق اتجاه السهم على قرص القطع الالماسي 6 مع سهم اتجاه الدوران على غطاء الوقاية 5.
 - ركب شفة الشد 13 واربط لولب الشد 15.
 - اقبض بواسطة مفتاح الربط الحلقي 14 على شفة الشد 13 ثم ركز مفتاح الربط السداسي الحواف داخليا 16 على لولب الشد 15 واحكم شده.
- ### فك قرص القطع الالماسي
- اقبض بواسطة مفتاح الربط الحلقي 14 على شفة الشد 13 ثم ركز مفتاح الربط السداسي الحواف داخليا 16 على لولب الشد 15 وفكه.
 - انزع شفة الشد 13 وقرص القطع الالماسي 6 عن محور الدفع 10.

التشغيل

أنواع التشغيل

- ◀ اسحب القابض من مقبس الشبكة الكهربائية قبل إجراء أي عمل على العدة الكهربائية.

ضبط عمق القطع مسبقا (تراجع الصورة B)

- ◀ يجوز أن يتم ضبط عمق القطع مسبقا فقط عندما تكون العدة الكهربائية مطفاة.

لائم عمق القطع مع ثخن قطعة الشغل. ينبغي أن يبرز قرص القطع الالماسي عن المادة بمقدار 2 مم للتوصل إلى نتيجة مثالية.

- حل اللولب المجنح 4. للتوصل إلى عمق قطع أصغر تسحب العدة الكهربائية عن صفيحة القاعدة 8، للتوصل إلى عمق قطع أكبر تضغط العدة الكهربائية نحو صفيحة القاعدة 8. اضبط المقاس المرغوب على مقياس عمق القطع 3. احكم شد اللولب المجنح 4.

بدء التشغيل

- 8 صفيحة القاعدة
 - 9 مقبض يدوي (سطح القبض معزول)
 - 10 محور الدفع
 - 11 حلقة دائرية
 - 12 شفة وصل
 - 13 شفة شد
 - 14 مفتاح ربط حلقي
 - 15 لولب الشد
 - 16 مفتاح ربط سداسي الحواف داخليا
- * لا يتضمن إطار التوريد الاعتيادي التوابع المصورة أو الموصوفة. يعثر على التوابع الكاملة في برنامجنا للتوابع.

البيانات الفنية

منشار الحجر		GDC 140
رقم الصنف	0 601 3A0 0..	
القدرة الاسمية المقنية	واط	1400
عدد الدوران الاسمي	دقيقة ¹	15000
القطر الأقصى لأقراص القطع الالماسية	مم	115/110
ثخن أقراص القطع الأدنى	مم	1,6
ثخن قرص القطع الأقصى	مم	2,2
فجوة الحضن	مم	20
عمق القطع الأقصى	مم	35/32,5
الوزن حسب EPTA-Procedure 01:2014	كغ	2,9
فئة الوقاية		II (□)

القيم سارية المفعول لجهد اسمي [U] بمقدار 230 فولط. قد تختلف هذه القيم عندما يتفك الجهد عن ذلك أو بطرازات خاصة ببلدان معينة.

التركيب

- ◀ اسحب القابض من مقبس الشبكة الكهربائية قبل إجراء أي عمل على العدة الكهربائية.

شفط الغبار

- ◀ إن أغبرة بعض المواد كالطلاء الذي يحتوي على الرصاص، وبعض أنواع الخشب والفلزات والمعادن، قد تكون مضرّة بالصحة. إن ملامسة أو استنشاق الأغبرة قد يؤدي إلى ردود فعل زائدة الحساسية و/أو إلى أمراض المجاري التنفسية لدى المستخدم أو لدى الأشخاص المتواجدين على مقربة من المكان.
- تعتبر بعض الأغبرة المعينة، كأغبرة البلوط والزان بأنها مسببة للسرطان، ولا سيما بالاتصال مع المواد الإضافية لمعالجة الخشب (ملع حامض الكروميك، المواد الحافظة للخشب). يجوز أن يتم معالجة المواد التي تحتوي على الأسبستوس من قبل العمال المتخصصين فقط دون غيرهم.
- حافظ على تهوية مكان الشغل بشكل جيد.
- ينصح بارتداء قناع وقاية للتنفس بفئة المرشح P2. تراعى الأحكام السارية في بلدكم بالنسبة للمواد المرغوب معالجتها.

تعليمات تحذير إضافية ارتد نظارات واقية.



ارتد قناع للوقاية من الغبار.



- ◀ **ثبت وأمن قطعة الشغل على أرضية ثابتة بواسطة الملازم أو بطريقة أخرى.** إن أمسكت بقطعة الشغل بواسطة يدك فقط أو من خلال ضغطها نحو جسدك، فإنها ستبقى غير ثابتة، مما قد يؤدي إلى فقدان التحكم.
- ◀ **ارتد واقية للسمع ونظارات واقية وقناع للوقاية من الغبار وفخازات واقية.** استخدم كقناع للوقاية من الغبار على الأقل قناع نصف مرشح للجسيمات الدقيقة من الفئة 2 FFP.
- ◀ **استخدم أجهزة تنقيب ملائمة للعثور على خطوط الامداد المخفية أو استعن بشركة الامداد المحلية.** إن ملامسة الخطوط الكهربائية قد يؤدي إلى اندلاع النار وإلى الصدمات الكهربائية. إتلاف خط الغاز قد يؤدي إلى الانفجارات. اختراق خط الماء يشكل الأضرار المادية أو قد يؤدي إلى الصدمات الكهربائية.
- ◀ **لا تلمس قرص القطع بعد إنهاء الشغل قبل أن يبرد.** يحمي قرص القطع كثيراً أثناء العمل.
- ◀ **اقبض على العدة الكهربائية أثناء الشغل بكلتا اليدين بإحكام وقف بثبات.** يتم توجيه العدة الكهربائية بكلتا اليدين بأمان أكبر.

وصف المنتج والأداء

- ◀ **اقرأ جميع الملاحظات التحذيرية والتعليمات.** إن ارتكاب الأخطاء عند تطبيق الملاحظات التحذيرية والتعليمات قد يؤدي إلى الصدمات الكهربائية، إلى نشوب الحرائق و/أو الإصابة بجروح خطيرة.



الاستعمال المخصص

لقد خصصت العدة الكهربائية لقطع وشطب مواد الشغل المعدنية غالباً كالرخام مثلاً بالاستخدام الثابت أفقياً مع صفيحة القاعدة ومع استعمال غطاء الوقاية دون استخدام الماء. لم تخصص العدة الكهربائية لقطع الخشب واللدائن والفلزات المعدنية.

الأجزاء المصورة

يستند ترقيم الأجزاء المصورة إلى رسوم العدة الكهربائية الموجودة في صفحة الرسوم التخطيطية.

- 1 مفتاح التشغيل والإطفاء
- 2 زر تثبيت مفتاح التشغيل والإطفاء
- 3 مقياس عمق القطع
- 4 لولب مجنح لضبط عمق القطع مسبقاً
- 5 غطاء الوقاية
- 6 قرص القطع الاملاسي *
- 7 سهم اتجاه دوران محور دوران الجلاخة

الارتدادية هي نتيجة لاستخدام العدة الكهربائية بشكل خاطئ أو غير صحيح. ويمكن تجنبها من خلال إجراءات الاحتياطات الملائمة لللاحقة الذكر.

- ◀ **اقبض على العدة الكهربائية بإحكام وركز جسدك وذراعيك بوضع يسمح لك بصد قوى الصدمات الارتدادية.** استخدم المقيض الإضافي دائماً إن وجد للتوصل إلى أكبر تحكم ممكن بقوى الصدمات الارتدادية أو عزوم رد الفعل أثناء ارتفاع عدد الدوران. يمكن للمستخدم أن يسيطر على قوى الصدمات الارتدادية وعزوم رد الفعل من خلال إجراءات الاحتياطات المناسبة.
- ◀ **لا تقترب بيدك من عدة الشغل الدوارة أبداً.** قد تتمرك عدة الشغل عبر يدك عند حدوث صدمة ارتدادية.
- ◀ **تجنب المجال الواقع أمام وخلف قرص القطع الدوار.** تترك الصدمة الارتدادية العدة الكهربائية إلى الاتجاه المعاكس لحركة قرص الجلبج عند مكان الاستعصاء.
- ◀ **اشتغل باحتراس خاص في مجال الزوايا والموايف الحادة والخب.** تجنب ارتداد عدد الشغل عن قطعة الشغل واستعصائها. ترجع عدة الشغل الدوارة إلى التكلب عند الزوايا والموايف الحادة أو عندما ترتد. ويؤدي ذلك إلى فقدان التحكم أو إلى الصدمات الارتدادية.
- ◀ **لا تستخدم نصال المنشار المسننة أو الجنزيرية أو أقراص القطع الاملاسية ذات المقاطع التي يزيد طول مقاطعها عن 10 مم.** إن عدد الشغل هذه غالباً ما تؤدي إلى الصدمات الارتدادية أو إلى فقدان السيطرة على العدة الكهربائية.
- ◀ **تجنب استعصاء قرص القطع أو ضغط الارتكاز الزائد.** لا تقوم بأعمال القص الشديدة العمق. إن زيادة تحميل قرص القطع تزيد استهلاكه وقابليته للميلان أو الاستعصاء، وبذلك احتمال الصدمة الارتدادية أو كسر قرص القطع.
- ◀ **اطفئ الجهاز وامسكه بهدوء إلى أن يتوقف القرص عن الحركة في حال انقماط قرص القطع أو إن توقفت عن العمل.** لا تحاول أبداً أن تسحب قرص القطع الدوار عن الشق، وإلا فقد تتشكل صدمة ارتدادية. ابحث عن سبب الانقماط واتخذ الإجراءات اللازمة لإنهائه.
- ◀ **لا تعاود تشغيل العدة الكهربائية ما دامت غاطسة في قطعة الشغل.** اسمع لقرص القطع أن يتوصل إلى عدد دورانه الكامل قبل أن تتابع بإجراء عملية القطع باحتراس. وإلا فقد يتكلم القرص، فيقفز إلى خارج قطعة الشغل أو قد يسبب صدمة ارتدادية.
- ◀ **اسند الصفايح أو قطع الشغل الكبيرة لكي تقلل خطر الصدمات الارتدادية الناتجة عن قرص قطع مستعص.** قد تمنحني قطع الشغل الكبيرة من جراء وزنها الذاتي. يجب أن تسند قطعة الشغل من الطرفين وأيضاً على مقربة من مكان القطع ومن الحافة.
- ◀ **احترس بشكل خاص عند إجراء "القطوع الجيبية" في الجدران القديمة أو غيرها من المجالات المحجوبة الرؤية.** قد يؤدي قرص القطع الغاطس إلى حصول صدمة ارتدادية عند قطع خطوط الغاز أو الماء أو الكهرباء أو غيرها من الأغراض.

◀ ارتد عتاد وقاية شخصي. استخدم حسب الاستعمال وقاية كاملة للوجه، وواقية للعينين أو نظارات واقية. ارتد عند الضرورة قناع للوقاية من الغبار وواقية سمع وقفازات واقية أو مريول خاص يبعد عنك جسيمات التلجيج والمواد الدقيقة. ينبغي وقاية العينين من الجسيمات الغريبة المتطايرة التي تنتج عن الاستعمالات المختلفة. يجب أن تقوم الأقنعة الواقية للتنفس والواقية من الغبار بترشيح الأغبرة الناتجة عن الاستخدام. قد تصاب بفقدان السمع إن تعرضت لضجيج عال لفترة طويلة.

◀ انتبه إلى ابتعاد الآخرين عن مجال عملك بمسافة آمنة. ينبغي أن يرتدي كل من يطئ مجال العمل عتاد وقاية شخصي. قد تتطاير أجزاء من الشغل أو قطع العمل المشغول المكسورة لتسبب الإصابات حتى خارج مجال العمل المباشر.

◀ امسك بالعدة الكهربائية من قبل سطوح القبض المعزولة فقط عند تنفيذ الأعمال التي من المحتمل أن تلامس عدة القطع خلالها الأسلاك الكهربائية المخفية أو الكبل الكهربائي نفسه. إن عدد القطع التي تلامس سلك كهربائي يسري به جهد كهربائي قد تكهرب الأجزاء المعدنية المكشوفة بالعدة الكهربائية لتصيب المستخدم بصدمة كهربائية.

◀ حافظ على إبعاد كبل الشبكة الكهربائية عن عدد الشغل الدوارة. إن فقدت السيطرة على الجهاز، فقد يتم سحب أو قطع كبل الشبكة الكهربائية، فتسحب يدك أو ذراعك إلى عدة الشغل الدوارة.

◀ لا تترك العدة الكهربائية أبداً قبل أن تتوقف عدة الشغل عن الحركة تماماً. قد تلامس عدة الشغل الدوارة مع سطح التركيب مما قد يؤدي إلى فقدان التحكم بالعدة الكهربائية.

◀ لا تترك العدة الكهربائية قيد الحركة أثناء حملها. قد تتكبل ثيابك عند ملامسة عدة الشغل بشكل غير مقصود وقد تنغرز عدة الشغل في جسدك.

◀ نظف شقوق التهوية بعدك الكهربائية بشكل منتظم. إن منافخ المبرك يسمح للغبار إلى داخل الهيكل، وتراكم الأغبرة المعدنية الشديد قد يشكل المخاطر الكهربائية.

◀ لا تستخدم العدة الكهربائية على مقربة من المواد القابلة للاحتراق. قد يؤدي الشرر إلى اشتعال هذه المواد.

◀ لا تستخدم عدد الشغل التي تتطلب مواد التبريد السائلة. قد يؤدي استعمال الماء أو غيرها من مواد التبريد السائلة إلى حدوث الصدمات الكهربائية.

◀ الصدمات الارتدادية وتعليمات التحذير المتعلقة بها الصدمات الارتدادية هي عبارة عن رد الفعل الفجائي على أثر قرص الجلج الدوار المتكلبة أو المستعصية. يؤدي التكلب أو الاستعصاء إلى توقف عدة الشغل الدوارة بشكل مفاجئ. يتم بذلك تسارع العدة الكهربائية التي فقدت التحكم بها بعكس اتجاه دوران عدة الشغل عند مكان الاستعصاء. إن استعصى أو تكلب قرص الجلج مثلاً في قطعة الشغل، فقد تنفصط حافة قرص الجلج التي غطست في مادة الشغل مما يؤدي إلى انحراف قرص الجلج أو إلى حدوث صدمة ارتدادية. يتمرك قرص الجلج عندئذ إما نحو المستخدم أو مبتعداً عنه حسب اتجاه دوران القرص عند مكان الاستعصاء. قد تكسر أقراص الجلج أيضاً أثناء ذلك. إن الصدمة

◀ حافظ على إبقاء عدد القطع نظيفة وحادة. إن عدد القطع ذات حواف القطع الحادة التي تم صيانتها بعناية تتكلب بشكل أقل ويمكن توجيهها بشكل أسير.

◀ استخدم العدد الكهربائية والتوابع وعدد الشغل وإلخ حسب هذه التعليمات. تراعى أثناء ذلك شروط الشغل والعمل المراد تنفيذه. استخدام العدد الكهربائية لغير الأشغال المخصصة لأجلها قد يؤدي إلى حدوث الحلات الخطيرة.

الخدمة

◀ اسمع بتصليح عدتك الكهربائية فقط من قبل العمال المتخصصين فقط باستعمال قطع الغيار الأصلية. يؤمن ذلك المحافظة على أمان الجهاز.

ملاحظات الأمان لآلات القطع بالجلج

◀ ينبغي أن يكون قد تم تركيب غطاء الوقاية الخاص بالعدة الكهربائية بأمان وأن يكون قد تم ضبطه بحيث يؤمن أكبر قدر ممكن من الأمان، أي أن أصغر جزء ممكن من عدة الجلج يدل بشكل مكشوف نحو المستخدم. ينبغي أن يحمي غطاء الوقاية المستخدم من الأجزاء المكسورة ومن ملامسة عدة الجلج صديقة.

◀ استخدم بعدتك الكهربائية فقط أقراص القطع المرصعة بالألماس دون غيرها. إن مجرد إمكانية تثبيت التوابع بعدتك الكهربائية لا يضمن إمكانية الاستخدام بأمان.

◀ يجب أن توافق قيمة عدد دوران عدة الشغل المسموع به على الأقل قيمة عدد الدوران الأقصى المذكور على العدة الكهربائية. إن التوابع التي تدور بسرعة تزيد عن السرعة المسموحة، قد تنكسر وتتطاير.

◀ يجوز استخدام عدد القطع فقط بمجالات الاستعمال المنصوح بها. مثلاً: لا تقوم بالتلجيج بواسطة السطح الجانبي لقرص القطع أبداً. لقد خصصت أقراص القطع لإزالة المادة بواسطة حافة القرص. إن تأثير القوى على جانب أقراص الجلج هذه قد يؤدي إلى كسرها.

◀ استخدم دائماً شفات الشد السليمة بالمقاس الصحيح من أجل قرص الجلج الذي اخترته. إن الشفات الملائمة تسند قرص الجلج وتقلل بذلك مخاطر كسر قرص الجلج.

◀ يجب أن يتوافق كلاً من قطر وثخن عدد الشغل مع قيم القياسات بالعدة الكهربائية. لا يمكن التحكم بعدد الشغل ذات المقاسات الفاطئة أو الاتقاء منها بشكل كاف.

◀ يجب أن تتركب أقراص الجلج والشفات بدقة على محور دوران الجلاخة بعدتك الكهربائية. إن عدد الشغل التي لا تتركب بدقة على محور دوران الجلاخة بالعدة الكهربائية تدور بشكل غير منتظم وتهتز بشكل شديد وقد تؤدي إلى فقدان التحكم.

◀ لا تستخدم أقراص الجلج التالية. افحص أقراص الجلج قبل كل استعمال على تواجد الشقوق ومعالم الاستهلاك والاحتكاك. إن سقطت العدة الكهربائية أو قرص الجلج على الأرض، فافحص عما إن كانت قد تلفت أو استخدم قرص جلج سليم. إن كنت قد تفحصت وركبت قرص الجلج، فحافظ على تواجدك أنت وغيرك من الأشخاص المتواجدين على مقربة من المكان خارج مستوى قرص الجلج الدوار واطرك الجهاز يدور لمدة دقيقة واحدة بعدد الدوران الأقصى. غالباً ما تكسر أقراص الجلج الثالثة ضمن هذه المدة التجريبية.

عربي

تعليمات الأمان

ملاحظات تحذيرية عامة للعدد الكهربائية

- ⚠ تحذير** اقرأ جميع الملاحظات التحذيرية والتعليمات. إن ارتكاب الأخطاء عند تطبيق الملاحظات التحذيرية والتعليمات قد يؤدي إلى الصدمات الكهربائية، إلى نشوب الحرائق و/أو الإصابة بجروح خطيرة. احتفظ بجميع الملاحظات التحذيرية والتعليمات للمستقبل.

يقصد بمصطلح "العدة الكهربائية" المستخدم في الملاحظات التحذيرية، العدد الكهربائي الموصولة بالشبكة الكهربائية (بواسطة كابل الشبكة الكهربائية) وأيضاً العدد الكهربائي المزودة بمركم (دون كابل الشبكة الكهربائية).

الأمان بمكان الشغل

- أمان الأشخاص
- ◀ كن يقظاً وانتبه إلى ما تفعله وقم بالعمل بواسطة العدة الكهربائية بتعقل. لا تستخدم عدة كهربائية عندما تكون متعب أو عندما تكون تحت تأثير المخدرات أو الكحول أو الأدوية. عدم الانتباه للحظة واحدة عند استخدام العدة الكهربائية قد يؤدي إلى إصابات خطيرة.
 - ◀ ارتد عتاد الوقاية الخاص وارتد دائماً نظارات واقية. يحد ارتداء عتاد الوقاية الخاص، كقناع الوقاية من الغبار وأحذية الأمان الواقية من الانزلاق والحد أو واقية الأذنين، حسب نوع واستعمال العدة الكهربائية، من خطر الإصابة بجروح.
 - ◀ تجنب التشغيل بشكل غير مقصود. تأكد من كون العدة الكهربائية مطفاة قبل وصلها بإمداد التيار الكهربائي و/أو بالمركم، وقبل رفعها أو حملها. إن كنت تضع إصبعك على المفتاح أثناء حمل العدة الكهربائية أو إن وصلت الجهاز بالشبكة الكهربائية عندما يكون قيد التشغيل، فقد يؤدي ذلك إلى حدوث الحوادث.
 - ◀ انزع عدد الضبط أو مفتاح الربط قبل تشغيل العدة الكهربائية. قد تؤدي العدة أو المفتاح المتواجد في جزء دوار من الجهاز إلى الإصابة بجروح.
 - ◀ تجنب أوضاع الجسد الغير طبيعية. قف بأمان وحافظ على توازنك دائماً، سيسمح لك ذلك من السيطرة على الجهاز بشكل أفضل في المواقف الغير متوقعة.
 - ◀ ارتد ثياب مناسبة. لا ترتد الثياب الفضفاضة أو الملبي. حافظ على إبقاء الشعر والثياب والقفازات على بعد عن أجزاء الجهاز المتحركة. قد تشاك الثياب الفضفاضة والملبي والشعر الطويل بالأجزاء المتحركة.
 - ◀ إن جاز تركيب تجهيزات شفت وجميع الغبار، فتأكد من أنها موصولة وبأنه يتم استخدامها بشكل سليم. قد يقلل استخدام تجهيزات لشفت الأعبرة من المخاطر الناتجة عن الأعبرة.
- حسن معاملة واستخدام العدد الكهربائية
- ◀ لا تفرط بتحميل الجهاز. استخدم لتنفيذ أشغالك العدة الكهربائية المخصصة لذلك. إنك تعمل بشكل أفضل وأكثر أماناً بواسطة العدة الكهربائية الملائمة في مجال الأداء المذكور.
 - ◀ لا تستخدم العدة الكهربائية إن كان مفتاح تشغيلها تالف. العدة الكهربائية التي لم تعد تسمح بتشغيلها أو بإطفاؤها خطيرة ويجب أن يتم تصليحها.
 - ◀ اسحب القابض من المقبس و/أو انزع المركم قبل ضبط الجهاز وقبل استبدال قطع التوايح أو قبل وضع الجهاز جانباً. تمنع إجراءات الامتياط هذه تشغيل العدة الكهربائية بشكل غير مقصود.
 - ◀ احتفظ بالعدد الكهربائية التي لا يتم استخدامها بعيداً عن منال الأطفال. لا تسمح باستخدام العدة الكهربائية لمن لا خبرة له بها أو لمن لا يقرأ تلك التعليمات. العدد الكهربائية خطيرة إن تم استخدامها من قبل أشخاص دون خبرة.
 - ◀ اعن بالعدة الكهربائية بشكل جيد. تفحص عما إذا كانت أجزاء الجهاز المتحركة تعمل بشكل سليم وبأنها غير مستحصية عن الحركة أو إن كانت هناك أجزاء مكسورة أو تالفة لدرجة تؤثر فيها على حسن أداء العدة الكهربائية. ينبغي تصليح هذه الأجزاء التالفة قبل إعادة تشغيل الجهاز. الكثير من الحوادث مصدرها العدد الكهربائية التي تم صيانتها بشكل رديء.

- ◀ حافظ على نظافة وحسن إضاءة مكان شغلك. الفوضى في مكان الشغل ومجالات العمل الغير مضاءة قد تؤدي إلى حدوث الحوادث.

- ◀ لا تشغل بالعدة الكهربائية في محيط معرض لخطر الانفجار والذي تتوفر فيه السوائل أو الغازات أو الأعبرة القابلة للاشتعال. العدد الكهربائية تشكل الشر الذي قد يتطاير، فيشعل الأعبرة والأبخرة.

- ◀ حافظ على بقاء الأطفال وغيرهم من الأشخاص على بعد عندما تستعمل العدة الكهربائية. قد تفقد السيطرة على الجهاز عند التلهي.

الأمان الكهربائي

- ◀ يجب أن يتلائم قابس وصل العدة الكهربائية مع المقبس. لا يجوز تغيير القابض بأي حال من الأحوال. لا تستعمل القوابس المهيأة مع العدد الكهربائية المؤرضة تاريض وقائي. تخفص القوابس التي لم يتم تغييرها والمقابس الملائمة من خطر الصدمات الكهربائية.
- ◀ تجنب ملامسة السطوح المؤرضة كالأنياب ورادياتورات التدفئة والمدافئ أو البرادات بواسطة جسمك. يزداد خطر الصدمات الكهربائية عندما يكون جسمك مؤرض.
- ◀ أبعد العدة الكهربائية عن الأمطار أو الرطوبة. يزداد خطر الصدمات الكهربائية إن تسرب الماء إلى داخل العدة الكهربائية.
- ◀ لا تسيء استعمال الكابل لحمل العدة الكهربائية أو تعليقها أو لسحب القابض من المقبس. حافظ على إبعاد الكابل عن الحرارة والزيت والمواف الحادة أو عن أجزاء الجهاز المتحركة. تزيد الكابلات التالفة أو المتشابكة من خطر الصدمات الكهربائية.
- ◀ استخدم فقط كابلات التمديد الصالحة للاستعمال الخارجي أيضاً عندما تشغل بالعدة الكهربائية في الخلاء. يخفص استعمال كابل تمديد مخصص للاستعمال الخارجي من خطر الصدمات الكهربائية.
- ◀ إن لم يكن بالإمكان تجنب تشغيل العدة الكهربائية في الأجواء الرطبة، فاستخدم مفتاح للوقاية من التيار المتخلف. إن استخدام مفتاح للوقاية من التيار المتخلف يقلل خطر الصدمات الكهربائية.

از رده خارج کردن دستگاه

ابزار برقی، متعلقات و بسته بندی آن، باید طبق مقررات حفظ محیط زیست از رده خارج و بازیافت شوند.

ابزارهای برقی را داخل زباله دان خانگی نیاندازید!



حق هرگونه تغییری محفوظ است.

هنگام برش مواد سخت، از جمله بتن با مقدار خرده سنگ بالا، ممکن است صفحه برش الماسه بسیار داغ شده و صدمه ببیند. جرقه های حلقه واری که دور صفحه برش الماسه بوجود میآیند، نمایانگر این امر می باشد. در اینصورت برش کاری را قطع کنید و بگذارید صفحه برش الماسه برای مدت کوتاهی با حداکثر سرعت در حالت آزاد کار کند تا خنک شود.

چنانچه پیشرفت کار به طرز قابل توجهی کاهش پیدا کند و جرقه های مدوری مشاهده شود، این امر نشان میدهد که صفحه برش الماسه کند شده است. با پرداخت آن بوسیله مواد ساینده و صیقل دهنده از جمله ماسه سنگ آهک (آجر آهکی) میتوانید آنرا مجدداً تیز کنید.

مسیر برش (رجوع شود به تصویر C)

ابزار برقی باید همیشه در جهت مخالف حرکت هدایت شود، در غیر اینصورت خطر بیرون افتادن ناخواسته و بدون کنترل آن از داخل برش وجود دارد.

تذکر در باره استاتیک ساختمان

شکاف ها در دیوارهای پایه تحت نورم 1053 قسمت 1 و یا تحت مقررات ویژه کشور مربوطه معین شده است. این مقررات باید رعایت شوند. قبل از شروع کار در این زمینه با مهندس ناظر، مهندس آرشیتکت و یا افراد مسئول نظارت ساختمان مشورت کنید.

مراقبت و سرویس

مراقبت، تعمیر و تمیز کردن دستگاه

- ◀ پیش از انجام هرگونه کاری بر روی ابزار الکتریکی، دوشاخه اتصال آنرا از داخل پریز برق بیرون بکشید.
- ◀ ابزار الکتریکی و شیارهای تهویه آنرا تمیز نگاه دارید، تا ایمنی شما در کار تضمین گردد.

در صورت نیاز به یک کابل بدکی برای اتصال به شبکه برق، بایستی به شرکت بوش و یا به نمایندگی مجاز بوش (خدمات پس از فروش) برای ابزار آلات برقی بوش مراجعه کنید تا از بروز خطرات ایمنی جلوگیری بعمل آید. لطفاً ابزار و متعلقات دستگاه را به دقت محافظت و به خوبی نگهداری کنید.

خدمات پس از فروش و مشاوره با

مشتریان

دفتر خدمات پس از فروش به سئوالات شما در باره تعمیرات، سرویس و همچنین قطعات بدکی و متعلقات پاسخ خواهد داد. تصاویر و اطلاعات در باره قطعات بدکی و متعلقات را میتوانید در سایت نامبرده زیر جستجو نمایید:

www.bosch-pt.com

تیم مشاور خدمات پس از فروش شرکت بوش با کمال میل به سئوالات شما در باره خرید، طرز استفاده و تنظیم محصولات و متعلقات پاسخ میدهد.

برای هرگونه سؤال و یا سفارش ابزار بدکی و متعلقات، حتماً شماره فنی ده رقمی کالا را مطابق برچسب روی ابزار برقی اطلاع دهید.

برای استفاده از گارانتی، تعمیر دستگاه و تهیه ابزار بدکی فقط به افراد متخصص مراجعه کنید.

راه اندازی و نحوه کاربرد دستگاه

- به ولتاژ برق شبکه توجه کنید! ولتاژ منبع جریان برق باید با مقادیر موجود بر روی برچسب ابزار الکتریکی مطابقت داشته باشد. ابزارهای برقی را که با ولتاژ 230V ولت مشخص شده اند، می توان تحت ولتاژ 220V ولت نیز بکار برد.

نحوه روشن و خاموش کردن

- جهت صرفه جویی در انرژی، ابزار برقی را فقط وقتی روشن کنید که می خواهید از آن استفاده کنید.
- برای روشن کردن ابزار برقی، کلید قطع و وصل 1 را فشار داده و آنرا در حالت فشرده نگهدارید.
- برای قفل و تثبیت کلید قطع و وصل 1 در حالی که به داخل فشرده باشد، دکمه تثبیت 2 را فشار بدهید.
- برای خاموش کردن ابزار برقی، کلید قطع و وصل 1 را ثابت مانده باشد، کلید قطع و وصل 1 را کمی فشار داده و آنرا دوباره رها کنید.
- صفحه های برش الماسه را پیش از استفاده کنترل کنید. صفحه برش الماسه باید کاملاً بدرستی نصب شده و قادر به چرخش بطور آزاد باشد. به منظور آزمایش بگذارید به مدت حداقل یک دقیقه در حالت آزاد کار کند. از استفاده از صفحه های برش الماسه آسیب دیده و غیرمردور و یا صفحه برشی که حرکت نوسانی دارد خودداری کنید. صفحه های برش الماسه که آسیب دیده اند ممکن است بشکنند و جراحت هایی را منجر گردند.

راهنمایی های عملی

- هنگام ایجاد برش در دیوارهای اصلی نگهدارنده ساختمان، کاملاً احتیاط کنید «تذکر در باره استاتیک ساختمان».
- از اعمال فشار بیش از حد و بکارگیری بدون وقفه ابزار برقی که منجر به از کار افتادن آن شود، خودداری کنید.
- پس از کار با ابزار برقی تحت فشار زیاد، بگذارید دستگاه برای چند دقیقه بطور آزاد (بدون بار) کار کند تا ابزار و متعلقات بکار گرفته شده، خنک شود.
- برای ایجاد برش در قطعات سخت و محکم، از جمله در بتن، با عمق بیش از 20 میلیمتر، بایستی در چند مرحله کار کنید تا به موتور فشار وارد نشود.
- در صورت عدم برقراری تعادل قطعه کار به سبب وزن آن، باید قطعه کار را توسط تجهیزات مهار محکم کنید.
- این ابزار برقی باید منحصراً برای برش های خشک (بدون استفاده از آب) بکار برده شود.
- از تماس با صفحه های برش الماسه پیش از خنک شدن آنها خودداری کنید، زیرا صفحه های برش به هنگام کار بسیار گرم (داغ) می شوند.
- صفحه برش را در برابر ضربه، افتادن، چربی و روغن محفوظ بدارید. از اعمال فشار جانبی به صفحه برش خودداری کنید.
- از اعمال فشار جانبی بر صفحه برش الماسه در حال حرکت به منظور متوقف ساختن آن خودداری کنید.

نحوه قراردادن/تعویض کردن صفحه برش

الماسه (رجوع شود به تصویر A)

- استفاده از دستکش ایمنی به هنگام نصب کردن و یا تعویض صفحه های برش الماسه توصیه می شود.
- از تماس با صفحه های برش الماسه پیش از خنک شدن آنها خودداری کنید، زیرا صفحه های برش به هنگام کار بسیار گرم (داغ) می شوند.
- همواره از یک صفحه برش الماسه با اندازه صحیح و دارای سوراخ فلانژ مناسب که مطابق ارقام ذکر شده در مشخصات فنی می باشند، استفاده کنید.
- فقط از صفحه برش داری الماس استفاده کنید.
- صفحه های الماسه بایستی تنها دارای زاویه برش منحنی و حداکثر شکاف 10 میلیمتر بین لبه ها باشند.

نحوه نصب و قرار دادن صفحه برش الماسه

- صفحه برش الماسه 6 و همچنین تمامی قطعات مهاری که باید نصب بشوند را تمیز کنید.
- فلانژ نگهدارنده 12 همراه با رینگ O شکل 11 را روی محور دستگاه 10 قرار دهید.
- صفحه برش الماسه 6 را روی فلانژ ابزارگیر (مهره زیر) 12 جاگذاری کنید. جهت علامت فلش موجود روی صفحه برش الماسه 6 باید با جهت چرخش علامت فلش موجود بر روی قاب محافظ 5 مطابقت داشته باشد.
- فلانژ مهار (مهره رو) 13 را جاگذاری کنید و پیچ مهار 15 را ببندید.
- بوسیله آچار تخت 14، فلانژ مهار (مهره رو) 13 را نگهدارید و با آچار آلن شش گوش 16، پیچ مهار 15 را محکم کنید.

نحوه باز کردن و برداشتن صفحه برش الماسه

- بوسیله آچار تخت 14، فلانژ مهار (مهره رو) 13 را نگهدارید و با آچار آلن شش گوش 16، پیچ مهار 15 را باز کنید. فلانژ مهار (مهره رو) 13 و صفحه برش الماسه 6 را از محور موتور 10 جدا کنید و بردارید.

طرز کار با دستگاه

انواع عملکردها

- پیش از انجام هرگونه کاری بر روی ابزار الکتریکی، دوشاخه اتصال آنرا از داخل پریز برق بیرون بکشید.
- نحوه انتخاب عمق برش (شیار) (رجوع شود به تصویر B)
- ابزار برقی باید هنگام انتخاب عمق برش همواره خاموش باشد.
- عمق برش را با ضخامت قطعه کار مطابقت دهید. برای دستیابی به نتیجه ایده آل، باید صفحه برش الماسه بمقدار تقریباً 2 میلیمتر بیرون از قطعه کار قرار بگیرد، عبارتی قطر صفحه برش بیش از ضخامت قطعه کار باشد.
- پیچ خروسکی 4 را باز (شل) کنید. برای ایجاد برش با عمق کم، ابزار برقی را از کفی 8 ابزار، به طرف خارج (دور از کفی) بکشید. برای ایجاد برش عمیق، ابزار برقی را به طرف کفی 8 ابزار فشار بدهید. اندازه مورد نظر را در مقیاس عمق برش 3 تنظیم کنید. سپس پیچ خروسکی 4 را مجدداً محکم کنید.

15 پیچ مهار برای نصب فلائز مه‌ار (مه‌ر رو)

16 آچار آلن شش گوش

* کلیه متعلقاتی که در تصویر و یا در متن آمده است، بطور معمول همراه دستگاه ارائه نمی‌شود. لطفاً لیست کامل متعلقات را از فهرست برنامه متعلقات اقتباس نمایند.

مشخصات فنی

مرمریر (اره سنگری)		GDC 140
0 601 3A0 0..		شماره فنی
1400	W	قدرت ورودی نامی
15000	min ⁻¹	تعداد دور (سرعت)
115/110	mm	حداکثر قطر صفحه برش الماسه
1,6	mm	حداقل قطر صفحه
2,2	mm	حداقل قطر صفحه برش
20	mm	قطر سوراخ میانی تیغه
35/32,5	mm	حداکثر عمق برش
2,9	kg	وزن مطابق استاندارد EPTA-Procedure 01:2014
II/□		کلاس ایمنی
این اطلاعات برای ولتاژ نامی [U] 230V ولت می‌باشند و در صورت تغییر ولتاژ و یا در کشورهای دیگر می‌تواند تغییر کنند.		

نصب

◀ **پیش از انجام هرگونه کاری بر روی ابزار الکتریکی، دوشاخه اتصال آنرا از داخل پریز برق بیرون بکشید.**

مکش گرد و غبار

◀ گرد و غبار موادی مانند رنگ‌های دارای سرب، بعضی از چوب‌ها، مواد معدنی و فلزات می‌توانند برای سلامتی مضر باشند. دست زدن و یا تنفس کردن گرد و غبار ممکن است باعث بروز آلرژی و یا بیماری‌های تنفسی شخص استفاده‌کننده و یا افرادی که در آن نزدیکی می‌باشند، بشود.

گرد و غبارهای مخصوصی مانند گرد و غبار درخت بلوط و یا درخت راش سرطان‌زا هستند. بخصوص ترکیب آنها با سایر موادی که برای کار بر روی چوب (کرومات، مواد برای محافظت از چوب) بکار برده می‌شوند. فقط افراد متخصص مجازند با موادی که دارای آزیست می‌باشند کار کنند.

- توجه داشته باشید که محل کار شما از تهویه هوای کافی برخوردار باشد.
- توصیه می‌شود از ماسک تنفسی ایمنی با درجه فیلتر P2 استفاده کنید.

به قوانین و مقررات معتبر در کشور خود در رابطه با استفاده از مواد و قطعات کاری توجه کنید.

◀ **از تجمع گرد و غبار در محل کار خود جلوگیری بعمل آورید.** گرد و غبار می‌تواند به آسانی مشتعل شوند.

◀ **برای یافتن لوله‌ها و سیم‌های برق پنهان تأسیسات، از دستگاه‌های ردیاب مناسب آن استفاده کنید و در صورت نیاز با شرکت‌های کارهای تأسیسات ساختمان محل تماس بگیرید.** تماس با سیم‌های برق می‌تواند باعث آتش‌سوزی و یا برق‌گرفتگی شود. آسیب دیدن لوله‌گاز می‌تواند باعث ایجاد انفجار شود. سوراخ شدن لوله آب، باعث خسارت و یا برق‌گرفتگی می‌شود.

◀ **پس از انجام کار، از تماس با صفحه برش تا قبل از خنک شدن آن خودداری کنید.** صفحه برش به هنگام کار بسیار داغ می‌شود.

◀ **ابزار الکتریکی را هنگام کار، با هر دو دست محکم گرفته و جایگاه مطمئنی برای خود انتخاب کنید.** ابزار برقی را میتوان با دو دست بهتر و مطمئن‌تر بکار گرفت و آنرا هدایت کرد.

تشریح دستگاه و عملکرد آن

کلیه دستورات ایمنی و راهنمایی‌ها را مطالعه کنید. اشتباهات ناشی از عدم رعایت این دستورات ایمنی ممکن است باعث برق‌گرفتگی، سوختگی و یا سایر جراحت‌های شدید شود.



موارد استفاده از دستگاه

این ابزار برقی غالباً برای برش و جداسازی یا شیار زدن مواد معدنی از جمله سنگ مرمر بدون استفاده از آب مناسب است. این ابزار برقی توسط کفی ابزار، تحت استفاده از حفاظ ایمنی (قاب محافظ)، بطور محکم بطور افقی بر روی قطعه کار قرار می‌گیرد. این ااره برای برش قطعات چوبی، پلاستیکی یا فلزی در نظر گرفته نشده است.

اجزاء دستگاه

شماره‌های اجزاء دستگاه که در تصویر مشاهده می‌شود، مربوط به شرح ابزار برقی می‌باشد که تصویر آن در این دفترچه آمده است.

- 1 کلید قطع و وصل
- 2 دکمه قفل و تثبیت کلید قطع و وصل دستگاه
- 3 درجه بندی عمق برش
- 4 پیچ خروسی برای انتخاب و تنظیم عمق برش
- 5 حفاظ ایمنی (قاب محافظ)
- 6 صفحه برش الماسه*
- 7 فلش جهت چرخش محور
- 8 کفی (صفحه پایه)
- 9 دسته (با روکش عایق دار)
- 10 محور موتور
- 11 ه-رینگ
- 12 فلائز ابزارگیر (مه‌ر زیر)
- 13 فلائز مه‌ار (مه‌ر رو)
- 14 آچار بکس/آچار تفت

- ◀ ابزار برقی را تنها پس از ایست کامل ابزار زمین بگذارید. ابزار کار در حال چرخش می تواند با سطح، تماس پیدا کند و باعث از دست دادن کنترل روی دستگاه گردد.
- ◀ هنگام حمل ابزاری الکتریکی، دستگاه را خاموش نگه دارید. در غیر اینصورت امکان تماس اتفاقی لباس شما و گیر کردن آن به ابزار در حال چرخش روی دستگاه وجود داشته و این منجر به اصابت ابزار به بدن شما می گردد.
- ◀ شیارهای تهویه ابزار الکتریکی خود را بطور مرتب تمیز کنید. گرد و غباری که از طریق پروانه موتور به داخل محفظه وارد شود و یا تجمع زیاد براده فلز در آن ممکن است سوانح و خطرات الکتریکی را منجر گردد.
- ◀ از بارگیری ابزار الکتریکی در مجاورت مواد قابل اشتعال خودداری کنید. جرقه ها میتوانند باعث حریق در این مواد شوند.
- ◀ از ابزار و متعلقاتی که نیاز به خنک کننده سیال دارند استفاده نکنید. استفاده از آب و یا سایر مواد خنک کننده مایع میتواند موجب بروز برق گرفتگی شود.
- ضربه زدن (پس زدن یا گیر کردن دستگاه هنگام کار) و هشدارهای ایمنی
 - ◀ پس زدن نتیجه واکنش ناگهانی صفحه سنگ بلوکه شده یا گیر کرده در کار می باشد. گیر کردن یا بلوکه شدن منجر به ایست ناگهانی ابزار کار در حال چرخش می باشد. از این طریق ابزار برقی به صورت کنترل نشده در خلاف جهت چرخش ابزار کار در محل بلوکه سرعت می گیرد. چنانچه بطور مثال یک صفحه سنگ در قطعه کار گیر کند یا بلوکه شود، امکان گیر کردن لبه صفحه سنگ در قطعه کار وجود دارد که می تواند منجر به شکستن و پس زدن آن شود. آنگاه صفحه سنگ به طرف کاربر حرکت می کند یا از او بسته به جهت چرخش صفحه سنگ در محل بلوکه دور می شود. اینگونه هم امکان شکسته شدن صفحات سنگ وجود دارد. پس زدن نتیجه استفاده اشتباه از ابزار برقی می باشد. این عکس العمل می تواند با اقدامات مشروح زیر مهار شود:
 - ◀ ابزار برقی را خوب محکم گرفته و بدن، ساعد و دستهایتان را به گونه ای قرار دهید که قادر به کنترل و خنثی کردن نیروهای ضربه زن دستگاه باشید. در صورت در اختیار داشتن دسته کمکی، همواره از آن استفاده کنید تا با کمک آن بتوانید هنگام کارکرد ابزار برقی در سرعت زیاد، حداکثر کنترل را بر نیروهای ضربه زننده و گشتاور واکنشی آن داشته باشید. شخص کاربر میتواند با رعایت احتیاط و اقدامات ایمنی مناسب بر نیروهای ضربه زننده و نیروهای واکنشی دستگاه تسلط داشته باشد.
 - ◀ هرگز دست خود را به ابزار کار متحرک و در حال چرخش نزدیک نکنید. زیرا ممکن است ابزار کار متحرک هنگام پس زدن با دست شما اصابت کند.
 - ◀ خود را از محدوده جلو یا پشت صفحه برش در حال چرخش دور نگه دارید. پس زدن، ابزار برقی را در جهت مخالف چرخش صفحه سنگ در محل بلوکه می راند.
 - ◀ خصوصاً در گوشه ها، لبه های تیز و غیره با احتیاط خاص کار کنید. از در رفتن و خارج شدن ابزار و متعلقات از داخل قطعه کار و گیر کردن آنها جلوگیری کنید. امکان گیر کردن ابزار در حال چرخش خصوصاً در گوشه ها، لبه های تیز وجود دارد. این امر باعث پس زدن و یا از دست دادن کنترل بر ابزار برقی می شود.
- ◀ از تیغه اره زنجیری یا دندان دار و نیز از صفحه الماسه دارای شکافهای با عرض بیشتر از 10 میلیمتر استفاده نکنید. اینگونه ابزارها منجر به پس زدن یا از دست دادن کنترل روی ابزار برقی می شوند.
- ◀ از بلوکه شدن صفحه برش یا اعمال فشار بیش از اندازه جلوگیری کنید. از انجام برشهای با عمق بسیار زیاد خودداری کنید. فشار زیاد روی صفحه برش، آن را زیر بار قرار می دهد و احتمال کج شدن یا بلوکه شدن آن و در نتیجه پس زدن یا شکسته شدن صفحه برش را افزایش می دهد.
- ◀ چنانچه صفحه برش گیر کند یا شما کار را متوقف می کنید، دستگاه را رامت خاموش کنید تا صفحه به ایست کامل برسد. هرگز تلاش نکنید، صفحه برش در حال چرخش را از محل برش بیرون بکشید، در غیر اینصورت دستگاه پس می زند. دلیل گیر کردن را پیدا و رفع کنید.
- ◀ از روشن کردن مجدد ابزار الکتریکی و برش با آن تا زمانی که قطعه کار در داخل دستگاه است، خودداری کنید. پیش از آنکه با احتیاط مجدداً به برش پردازید، نخست بگذارید صفحه برش به حداکثر (سرعت) دور چرخش خود برسد. در غیر اینصورت امکان گیر کردن و بیرون پریدن صفحه برش از داخل قطعه کار وجود دارد و پس زدن را منجر می شود.
- ◀ صفحه های بزرگ و قطعه های کار با ابعاد بزرگ را طوری ثابت و محکم قرار دهید، تا خطر پس زدن دستگاه در اثر گیر کردن صفحه برش کاهش پیدا کند. امکان خم شدن و تاب برداشتن قطعات بزرگ به دلیل وزن و سنگینی آنها وجود دارد. از اینرو باید قطعه کار از هر دو طرف، هم در نزدیکی خط برش و هم در نزدیکی لبه قطعه، ثابت و محکم قرار داشته باشد.
- ◀ به ویژه هنگام ایجاد برش های عمقی جیبی (شیار زدن) در دیوار و یا سایر قسمت های غیر قابل رؤیت احتیاط کنید. صفحه برش که وارد قطعه کار میشود، میتواند هنگام برش با لوله های گاز، لوله های آب، کابل های برق و یا سایر اشیاء اصابت نموده و باعث پس زدن دستگاه بشود.

سایر هشدارهای ایمنی

از عینک ایمنی استفاده کنید.



از ماسک ایمنی تنفس در برابر گرد و غبار استفاده کنید.



◀ قطعه کار را با وسیله گیر دادن یا با روش دیگر روی یک سطح کار ثابت محکم کنید. چنانچه قطعه کار را با یک دست یا مقابل بدن خود نگه دارید، ثابت نمی ماند و باعث از دست دادن کنترل شما می شود.

◀ از گوشی ایمنی، عینک ایمنی، ماسک ضد غبار و دستکش ایمنی استفاده کنید. برای ماسک ضد غبار از نیم ماسک فیلتر کننده درجه FFP2 استفاده نمایید.

- ▶ **تتها از فلائز گیرنده سالم در اندازه مناسب برای صفحه سنگ مورد نظر خود استفاده کنید.** فلائزهای مناسب، صفحه سنگ را موصون نگه می دارند و اینگونه خطر شکستگی صفحه سنگ را کاهش می دهند.
- ▶ **قطر و ضخامت ابزار و متعلقاتی که بر روی دستگاه قرار میگیرند، باید با اندازه ها و مقادیر قید شده ابزار برقی مطابقت داشته باشند.** ابزار و متعلقات با اندازه های نامتناسب و نادرست نمی توانند به حد کافی تحت حفاظت و قابل کنترل باشند.
- ▶ **صفحه های سنگ و فلائزها باید دقیقاً روی محور ابزار برقی جا بیافتند.** ابزارهایی که به محور دستگاه نمی خورند، بطور نامتعادل می چرخند، شدید می لرزند و می توانند باعث از بین رفتن کنترل روی دستگاه شوند.
- ▶ **از صفحه های سنگ آسیب دیده استفاده نکنید.** قبل از هر استفاده، صفحات سنگ را از لحاظ لب پریزدگی و ترک خوردگی کنترل کنید. چنانچه ابزار برقی یا صفحه سنگ روی زمین افتاد، آن را از نظر آسیب دیدگی کنترل کنید یا یک صفحه سنگ سالم را بکار برید. پس از جایگذاری و کنترل صفحه سنگ، خود و افراد نزدیک خود را دور از سطح سنگ چرخان قرار دهید و بگذارید دستگاه یک دقیقه یا بیشترین سرعت کار کند. صفحات سنگ آسیب دیده اغلب در این مدت زمان آزمایش شکسته می شوند.
- ▶ **از تجهیزات ایمنی و پوشش محافظ شخصی استفاده کنید.** متناسب با نوع کار از پوشش ایمنی یا ماسک ایمنی برای محافظت کامل از تمام صورت، چشم و پا از عینک ایمنی استفاده کنید. در صورت لزوم از ماسک ضد غبار، گوشی ایمنی، دستکش ایمنی و یا پیش بند ایمنی مخصوصی که ذرات مواد، تراشه و زوائد را از شما دور نگاه میدارد، استفاده کنید. چشمان شما باید در برابر جهش ذرات خارجی، براده، تراشه و زوائدی که در هنگام کارهای متفرقه تولید میشوند، محفوظ بماند. ماسک های ایمنی ضد غبار و ماسک های تنفس باید قادر به فیلتر کردن گرد و غبار ناشی از کار باشند. در صورتی که به مدت طولانی در معرض سر و صدای بلند قرار گرفته باشید، امکان تضعیف قدرت شنوایی شما وجود دارد.
- ▶ **دقت کنید که سایر افراد، فاصله کافی با محل کار شما داشته باشند.** هر فردی که به محل کار شما نزدیک میشود، موظف است از تجهیزات ایمنی و پوشش محافظ شخصی برخوردار باشد. امکان پرتاب شدن قطعات شکسته و جدا شده از قطعه کار و یا ابزار و متعلقات شکسته حتی در خارج از محدوده کار نیز وجود دارد و میتواند منجر به جراحاتی گردد.
- ▶ **ابزار برقی را منحصراً از دسته و سطوح عایق دار آن در دست بگیرید،** چرا که بسته به نوع کار خود، امکان تماس ابزار برش و متعلقات ابزار برقی با کابل های برق غیر قابل رؤیت داخل ساختمان و یا تماس آنها با کابل خود دستگاه وجود دارد. تماس ابزار برش و متعلقات ابزار برقی با سیم و کابلی که هادی جریان برق است، می تواند در بخش های فلزی ابزار برقی نیز جریان برق تولید کند و باعث برق گرفتگی شود.
- ▶ **کابل اتصال را از ابزارهای در حال چرخش دور نگهدارید.** در صورت از دست دادن کنترل روی دستگاه، امکان گرفته شدن کابل و بریدگی آن وجود دارد و دست یا بازوی شما در معرض قسمتهای چرخان ابزار برقی قرار گیرند.

باتری آنرا خارج کنید. رعایت این اقدامات پیشگیری ایمنی از راه افتادن ناخواسته ابزار الکتریکی جلوگیری می کند.

- ▶ **ابزار الکتریکی را در صورت عدم استفاده، از دسترس کودکان دور نگهدارید.** اجازه ندهید که افراد ناوارد و یا اشخاصی که این دفترچه راهنما را نخوانده اند، با این دستگاه کار کنند. قرار گرفتن ابزار الکتریکی در دست افراد ناوارد و بی تجربه خطرناک است.
- ▶ **از ابزار الکتریکی خوب مراقبت کنید.** مواظب باشید که قسمت های متمرک دستگاه خوب کار کرده و گیر نکنند. همچنین دقت کنید که قطعات ابزار الکتریکی شکسته و یا آسیب دیده نباشند. قطعات آسیب دیده را قبل از شروع به کار تعمیر کنید. علت بسیاری از سوانح کاری، عدم مراقبت کامل از ابزارهای الکتریکی می باشد.
- ▶ **ابزار برش را تیز و تمیز نگهدارید.** ابزار برشی که خوب مراقبت شده و از لبه های تیز برخوردارند، کمتر در قطعه کار گیر کرده و بهتر قابل هدایت می باشند.
- ▶ **ابزارهای الکتریکی، متعلقات، ابزاری که روی دستگاه نصب می شوند و غیره را مطابق دستورات این جزوه راهنما طوری به کار بگیرید که با مدل این دستگاه تناسب داشته باشند.** همچنین به شرایط کاری و نوع کار توجه کنید. کاربرد ابزار برقی برای موارد کاری که برای آن در نظر گرفته نشده است، میتواند شرایط خطرناکی را منجر شود.

سرویس

- ▶ **برای تعمیر ابزار الکتریکی فقط به متخصصین حرفه ای رجوع کرده و از وسائل یدکی اصل استفاده کنید.** این باعث خواهد شد که ایمنی دستگاه شما تضمین گردد.

دستورات ایمنی برای ابزارهای فرز برش

- ▶ **قاب محافظ باید روی ابزار برقی مطمئن نصب گردد و حداکثر ایمنی لازم تنظیم شود تا کمترین بخش صفحه سنگ به صورت باز به طرف کاربر قرار گیرد.** خود و افراد نزدیک خود را دور از سطح سنگ چرخان قرار دهید. قاب محافظ باید کاب را در برابر تکه های شکسته و تماس اتفاقی با صفحه سنگ مصون نگهدارد.
- ▶ **برای ابزار برقی خود منحصراً از صفحات برش الماسه استفاده کنید.** صرف اینکه این قطعات روی ابزار برقی قابل نصب هستند، دلیل تضمین کننده ایمنی در کار نیست.
- ▶ **میزان تحمل سرعت مجاز متعلقات سایش و برش باید حداقل معادل با حداکثر سرعت تعیین شده بر روی ابزار برقی باشد.** ابزار و متعلقاتی که سریعتر از حد مجاز میچرخند، ممکن است بشکنند و به اطراف پرتاب بشوند.
- ▶ **صفحه های سنگ بایستی فقط برای انواع کارهای توصیه شده بکار برده شوند.** بطور مثال: هرگز با سطح یک سنگ برش سایش ندهید. سنگهای برش برای برداشتن سطح با لبه صفحه در نظر گرفته شده اند. اعمال نیرو از کنار می تواند باعث شکسته شدن صفحه سنگ شود.

فارسی

راهنمائی های ایمنی

راهنمائی های ایمنی عمومی برای ابزارهای الکتریکی

هشدار همه دستورات ایمنی و راهنمائی ها را بخوانید. اشتباهات ناشی از عدم رعایت این دستورات ایمنی ممکن است باعث برق گرفتگی، سوختگی و یا سایر جراحات های شدید شود.

همه هشدار های ایمنی و راهنمائی ها را برای آینده خوب نگهداری کنید.

هر جا در این راهنما از «ابزار الکتریکی» صحبت میشود، منظور ابزارهای الکتریکی (با سیم برق) و یا ابزارهای الکتریکی باطری دار (بدون سیم برق) می باشد.

ایمنی محل کار

محل کار خود را تمیز، مرتب و مجزه به نور کافی نگهدارید. محیط کار نامرتب و کم نور میتواند باعث سوانح کاری شود.

با ابزار الکتریکی در محیط هایی که در آن خطر انفجار وجود داشته و حاوی مایعات، گازها و بخارهای محترقه باشد، کار نکنید. ابزار های الکتریکی جرقه هایی ایجاد می کنند که می توانند باعث آتش گرفتن گرد و غبارهای موجود در هوا شوند.

هنگام کار با ابزار الکتریکی، کودکان و سایر افراد را از دستگاه دور نگهدارید. در صورتیکه حواس شما پرت شود، ممکن است کنترل دستگاه از دست شما خارج شود.

ایمنی الکتریکی

دوشاخه ابزار الکتریکی باید با پریز برق تناسب داشته باشد. هیچگونه تغییری در دوشاخه ندهید. مبدل دوشاخه نباید همراه با ابزار الکتریکی دارای اتصال به زمین استفاده شود. دوشاخه های اصل و تغییر داده نشده و پریزهای مناسب، خطر شوک الکتریکی و برق گرفتگی را کم می کنند.

از تماس بدنی با قطعات متصل به سیم اتصال به زمین مانند لوله، شوفاز، اجاق برقی و یخچال خودداری کنید. در صورت تماس بدنی با سطوح و قطعات دارای اتصال به زمین و همچنین تماس شما با زمین، خطر برق گرفتگی افزایش می یابد.

دستگاه را از باران و رطوبت دور نگهدارید. نفوذ آب به ابزار الکتریکی، خطر شوک الکتریکی را افزایش میدهد.

از سیم دستگاه برای کارهایی چون حمل ابزار الکتریکی، آویزان کردن آن و یا خارج کردن دوشاخه از برق استفاده نکنید. کابل دستگاه را در مقابل حرارت، روغن، لبه های تیز و بخش های متحرک دستگاه دور نگهدارید. کابل های آسیب دیده و یا گره خورده خطر شوک الکتریکی را افزایش میدهند.

در صورتیکه با ابزار الکتریکی در محیط باز کار میکنید، تنها از کابل رابطی استفاده کنید که برای محیط باز نیز مناسب باشد. کابل های رابط مناسب برای محیط باز، خطر برق گرفتگی را کم می کنند.

در صورت لزوم کار با ابزار برقی در محیط و اماکن مرطوب، باید از یک کلید حفاظتی جریان خطا و نشتی زمین (کلید قطع کننده اتصال با زمین) استفاده کنید. استفاده از کلید حفاظتی جریان خطا و نشتی زمین خطر برق گرفتگی را کاهش می دهد.

رعایت ایمنی اشخاص

حواس خود را خوب جمع کنید، به کار خود دقت کنید و با فکر و هوش کامل با ابزار الکتریکی کار کنید. در صورت خستگی و یا در صورتیکه مواد مخدر، الکل و دارو استفاده کرده اید، با ابزار الکتریکی کار نکنید. یک لحظه بی توجهی هنگام کار با ابزار الکتریکی، میتواند جراحات های شدیدی به همراه داشته باشد.

از تجهیزات ایمنی شخصی و از عینک ایمنی همواره استفاده کنید. استفاده از تجهیزات ایمنی مانند ماسک ایمنی، کفش های ایمنی ضد لغزش، کلاه ایمنی و گوشی ایمنی متناسب با نوع کار با ابزار الکتریکی، خطر مجروح شدن را کاهش میدهد.

مواظب باشید که ابزار الکتریکی بطور ناخواسته بکار نیفتد. قبل از وارد کردن دوشاخه دستگاه در پریز برق، اتصال آن به باطری، برداشتن آن و یا حمل دستگاه، باید دقت کنید که ابزار الکتریکی خاموش باشد. در صورتیکه هنگام حمل دستگاه انگشت شما روی دکمه قطع و وصل باشد و یا دستگاه را در حالت روشن به برق بزنید، ممکن است سوانح کاری پیش آید.

قبل از روشن کردن ابزار الکتریکی، باید همه ابزارهای تنظیم کننده و آچار ها را از روی دستگاه بردارید. ابزار و آچارهایی که روی بخش های چرخنده دستگاه قرار دارند، میتوانند باعث ایجاد جراحات شوند. وضعیت بدن شما باید در حالت عادی قرار داشته باشد. برای کار جای مطمئنی برای خود انتخاب کرده و تعادل خود را همواره حفظ کنید. به این ترتیب می توانید ابزار الکتریکی را در وضعیت های غیر منتظره بهتر تحت کنترل داشته باشید.

لباس مناسب بپوشید. از پوشیدن لباس های گشاد و حمل زینت آلات خودداری کنید. موها، لباس و دستکش ها را از بخش های در حال چرخش دستگاه دور نگهدارید. لباس های گشاد، موی بلند و زینت آلات ممکن است در قسمت های در حال چرخش دستگاه گیر کنند.

در صورتیکه میتوانید وسایل مکش گرد و غبار و یا وسیله جمع کننده گرد و غبار را به دستگاه نصب کنید، باید مطمئن شوید که این وسایل درست نصب و استفاده می شوند. استفاده از وسایل مکش گرد و غبار مصونیت شما را در برابر گرد و غبار زیاد تر میکند.

استفاده صحیح از ابزار الکتریکی و مراقبت از آن

از وارد کردن فشار زیاد روی دستگاه خودداری کنید. برای هر کاری، از ابزار الکتریکی مناسب با آن استفاده کنید. بکار گرفتن ابزار الکتریکی مناسب باعث میشود که بتوانید از توان دستگاه بهتر و با اطمینان بیشتر استفاده کنید.

در صورت ایراد در کلید قطع و وصل ابزار برقی، از دستگاه استفاده نکنید. ابزار الکتریکی که نمی توان آنها را قطع و وصل کرد، خطرناک بوده و باید تعمیر شوند.

قبل از تنظیم ابزار الکتریکی، تعویض متعلقات و یا کنار گذاشتن آن، دوشاخه را از برق کشیده و یا