

**Robert Bosch Power Tools GmbH**  
70538 Stuttgart  
Germany

[www.bosch-pt.com](http://www.bosch-pt.com)

**1 609 92A 1X1** (2014.04) 0 / 49 ASIA



1 609 92A 1X1

## GDR | GDS Professional

10,8 V-EC



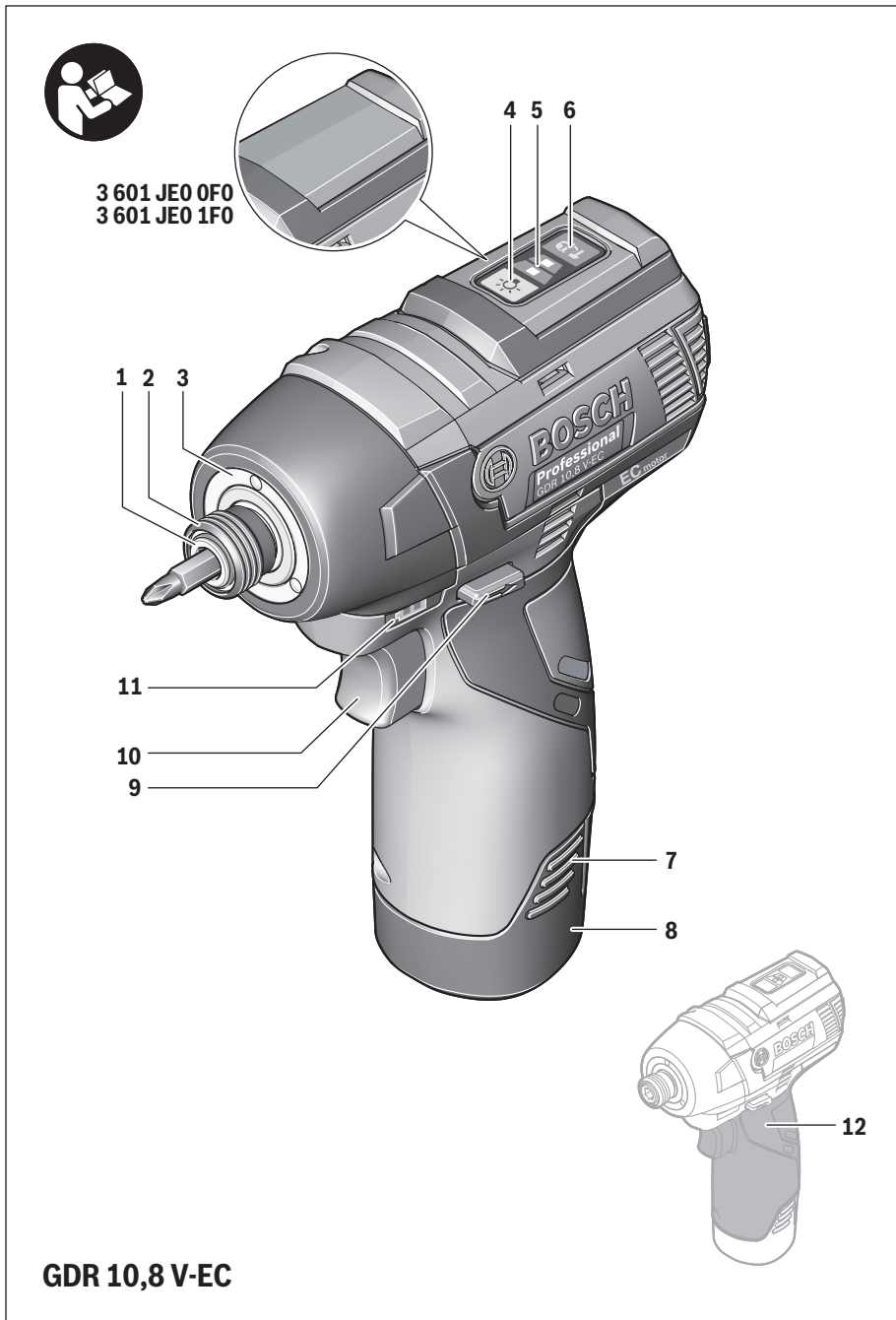
- en** Original instructions
- cn** 正本使用说明书
- tw** 原始使用說明書
- ko** 사용 설명서 원본
- th** หนังสือคู่มือการใช้งานฉบับต้นแบบ
- id** Petunjuk-Petunjuk untuk Penggunaan Orisinal
- vi** Bản gốc hướng dẫn sử dụng



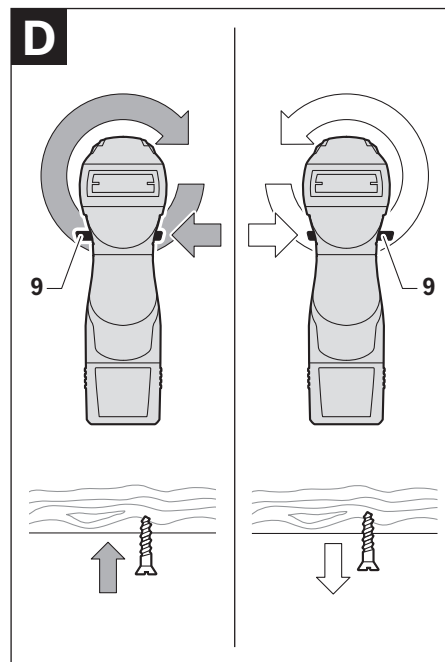
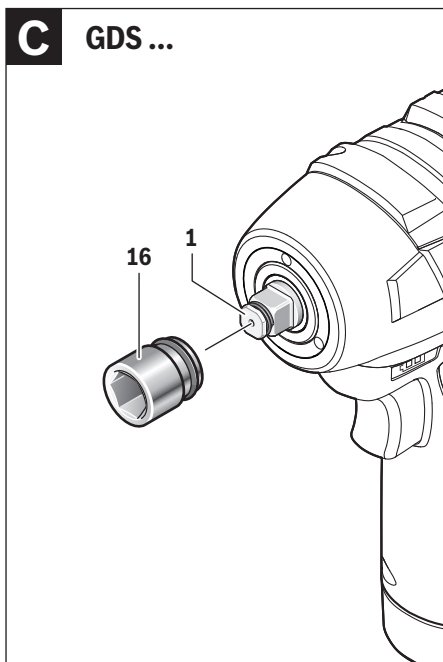
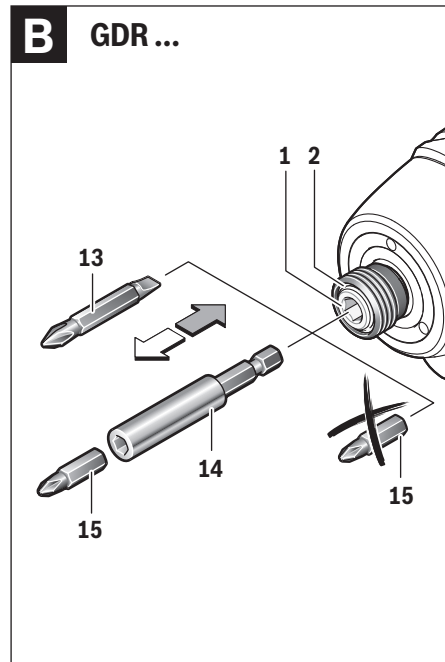
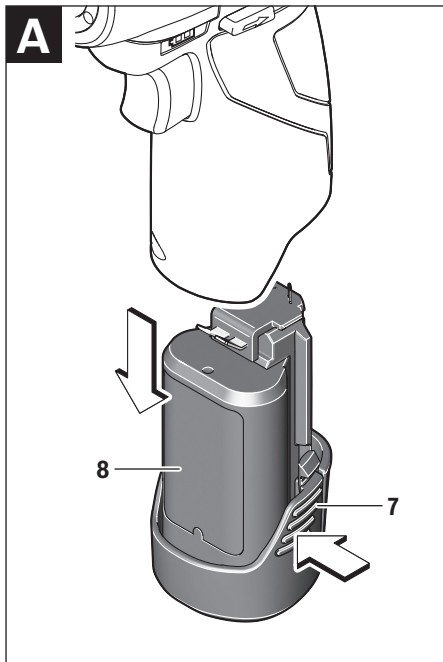


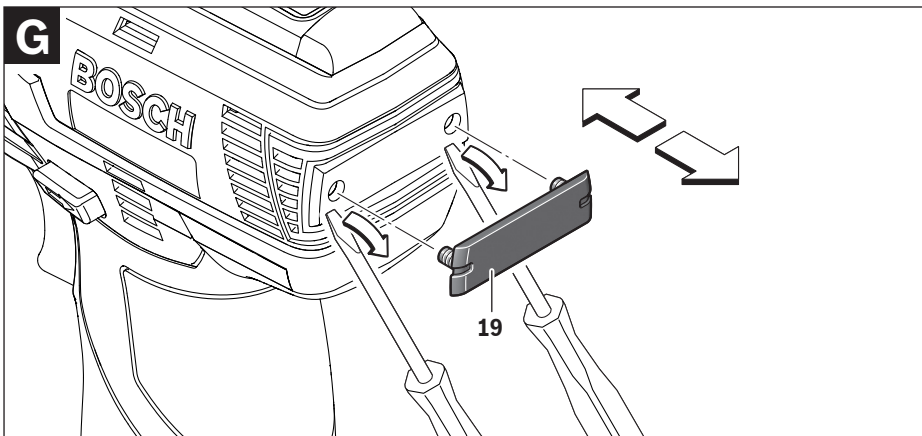
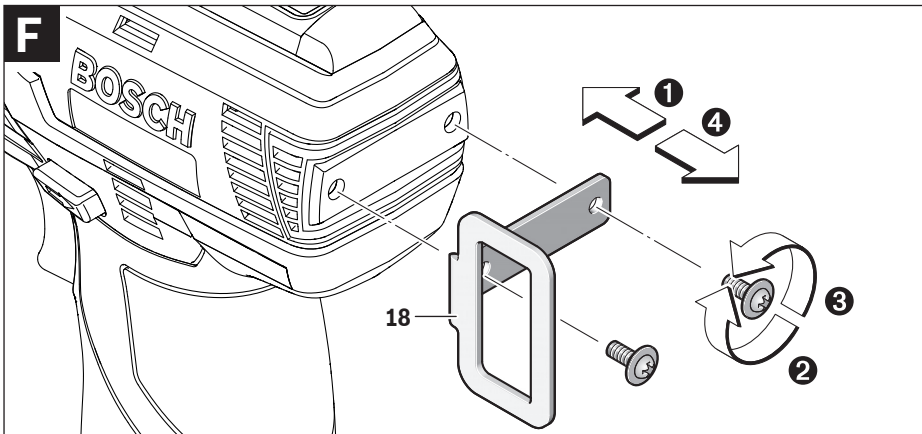
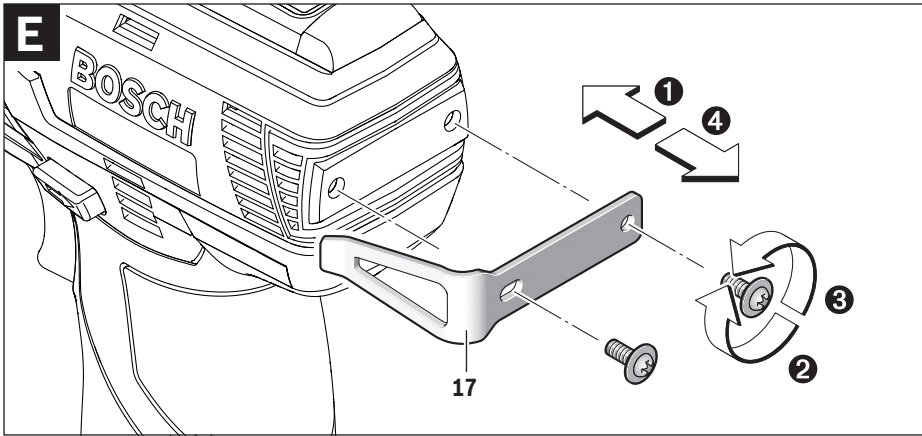
English ..... Page 6  
 中文 . . . . . 页 12  
 中文 . . . . . 頁 17  
 한국어 . . . . . 페이지 21  
 ภาษาไทย..... หน้า 27  
 Bahasa Indonesia ..... Halaman 33  
 Tiếng Việt . . . . . Trang 39





**GDR 10,8 V-EC**





## English

### Safety Notes

#### General Power Tool Safety Warnings

**⚠ WARNING** Read all safety warnings and all instructions. Failure to follow the warnings and instructions may result in electric shock, fire and/or serious injury.

#### Save all warnings and instructions for future reference.

The term "power tool" in the warnings refers to your mains-operated (corded) power tool or battery-operated (cordless) power tool.

#### Work area safety

- ▶ **Keep work area clean and well lit.** Cluttered or dark areas invite accidents.
- ▶ **Do not operate power tools in explosive atmospheres, such as in the presence of flammable liquids, gases or dust.** Power tools create sparks which may ignite the dust or fumes.
- ▶ **Keep children and bystanders away while operating a power tool.** Distractions can cause you to lose control.

#### Electrical safety

- ▶ **Power tool plugs must match the outlet. Never modify the plug in any way. Do not use any adapter plugs with earthed (grounded) power tools.** Unmodified plugs and matching outlets will reduce risk of electric shock.
- ▶ **Avoid body contact with earthed or grounded surfaces, such as pipes, radiators, ranges and refrigerators.** There is an increased risk of electric shock if your body is earthed or grounded.
- ▶ **Do not expose power tools to rain or wet conditions.** Water entering a power tool will increase the risk of electric shock.
- ▶ **Do not abuse the cord. Never use the cord for carrying, pulling or unplugging the power tool. Keep cord away from heat, oil, sharp edges and moving parts.** Damaged or entangled cords increase the risk of electric shock.
- ▶ **When operating a power tool outdoors, use an extension cord suitable for outdoor use.** Use of a cord suitable for outdoor use reduces the risk of electric shock.
- ▶ **If operating a power tool in a damp location is unavoidable, use a residual current device (RCD) protected supply.** Use of an RCD reduces the risk of electric shock.

#### Personal safety

- ▶ **Stay alert, watch what you are doing and use common sense when operating a power tool. Do not use a power tool while you are tired or under the influence of drugs, alcohol or medication.** A moment of inattention while operating power tools may result in serious personal injury.
- ▶ **Use personal protective equipment. Always wear eye protection.** Protective equipment such as dust mask, non-skid safety shoes, hard hat, or hearing protection used for appropriate conditions will reduce personal injuries.

- ▶ **Prevent unintentional starting. Ensure the switch is in the off-position before connecting to power source and/or battery pack, picking up or carrying the tool.** Carrying power tools with your finger on the switch or energising power tools that have the switch on invites accidents.
- ▶ **Remove any adjusting key or wrench before turning the power tool on.** A wrench or a key left attached to a rotating part of the power tool may result in personal injury.
- ▶ **Do not overreach. Keep proper footing and balance at all times.** This enables better control of the power tool in unexpected situations.
- ▶ **Dress properly. Do not wear loose clothing or jewellery. Keep your hair, clothing and gloves away from moving parts.** Loose clothes, jewellery or long hair can be caught in moving parts.
- ▶ **If devices are provided for the connection of dust extraction and collection facilities, ensure these are connected and properly used.** Use of dust collection can reduce dust-related hazards.

#### Power tool use and care

- ▶ **Do not force the power tool. Use the correct power tool for your application.** The correct power tool will do the job better and safer at the rate for which it was designed.
- ▶ **Do not use the power tool if the switch does not turn it on and off.** Any power tool that cannot be controlled with the switch is dangerous and must be repaired.
- ▶ **Disconnect the plug from the power source and/or the battery pack from the power tool before making any adjustments, changing accessories, or storing power tools.** Such preventive safety measures reduce the risk of starting the power tool accidentally.
- ▶ **Store idle power tools out of the reach of children and do not allow persons unfamiliar with the power tool or these instructions to operate the power tool.** Power tools are dangerous in the hands of untrained users.
- ▶ **Maintain power tools. Check for misalignment or binding of moving parts, breakage of parts and any other condition that may affect the power tool's operation. If damaged, have the power tool repaired before use.** Many accidents are caused by poorly maintained power tools.
- ▶ **Keep cutting tools sharp and clean.** Properly maintained cutting tools with sharp cutting edges are less likely to bind and are easier to control.
- ▶ **Use the power tool, accessories and tool bits etc. in accordance with these instructions, taking into account the working conditions and the work to be performed.** Use of the power tool for operations different from those intended could result in a hazardous situation.

#### Battery tool use and care

- ▶ **Recharge only with the charger specified by the manufacturer.** A charger that is suitable for one type of battery pack may create a risk of fire when used with another battery pack.

- ▶ **Use power tools only with specifically designated battery packs.** Use of any other battery packs may create a risk of injury and fire.
- ▶ **When battery pack is not in use, keep it away from other metal objects, like paper clips, coins, keys, nails, screws or other small metal objects, that can make a connection from one terminal to another.** Shorting the battery terminals together may cause burns or a fire.
- ▶ **Under abusive conditions, liquid may be ejected from the battery; avoid contact. If contact accidentally occurs, flush with water. If liquid contacts eyes, additionally seek medical help.** Liquid ejected from the battery may cause irritation or burns.

#### Service

- ▶ **Have your power tool serviced by a qualified repair person using only identical replacement parts.** This will ensure that the safety of the power tool is maintained.

#### Safety Warnings for Impact Wrenches

- ▶ **Hold power tool by insulated gripping surfaces, when performing an operation where the fastener may contact hidden wiring.** Fasteners contacting a "live" wire may make exposed metal parts of the power tool "live" and could give the operator an electric shock.
- ▶ **Secure the workpiece.** A workpiece clamped with clamping devices or in a vice is held more secure than by hand.
- ▶ **Always wait until the machine has come to a complete stop before placing it down.** The tool insert can jam and lead to loss of control over the power tool.
- ▶ **Do not open the battery.** Danger of short-circuiting.



**Protect the battery against heat, e. g., against continuous intense sunlight, fire, water, and moisture.** Danger of explosion.

- ▶ **In case of damage and improper use of the battery, vapours may be emitted. Ventilate the area and seek medical help in case of complaints.** The vapours can irritate the respiratory system.
- ▶ **Use the battery only in conjunction with your Bosch product.** This measure alone protects the battery against dangerous overload.
- ▶ **The battery can be damaged by pointed objects such as nails or screwdrivers or by force applied externally.** An internal short circuit can occur and the battery can burn, smoke, explode or overheat.

## Product Description and Specifications



**Read all safety warnings and all instructions.** Failure to follow the warnings and instructions may result in electric shock, fire and/or serious injury.

#### Intended Use

The machine is intended for driving in and loosening screws and bolts as well as for tightening and loosening nuts within the respective range of dimension.

The light of this power tool is intended to illuminate the power tool's direct area of working operation and is not suitable for household room illumination.

#### Product Features

The numbering of the product features refers to the illustration of the machine on the graphics page.

- 1 Tool holder
- 2 Locking sleeve
- 3 "PowerLight"
- 4 "PowerLight" button\*\*
- 5 Speed indication\*\*
- 6 Button for electronic speed preselection\*\*
- 7 Battery unlocking button
- 8 Battery pack
- 9 Rotational direction switch
- 10 On/Off switch
- 11 Battery charge-control indicator
- 12 Handle (insulated gripping surface)
- 13 Double bit\*
- 14 Universal bit holder\*
- 15 Screwdriver bit\*
- 16 Application tool (e. g. an impact socket)\*
- 17 Belt clip\*
- 18 Holder\*
- 19 Colour clip\*

\*Accessories shown or described are not part of the standard delivery scope of the product. A complete overview of accessories can be found in our accessories program.

\*\* not for power tools with article number 3 601 JEO 0F0 and 3 601 JEO 1F0

#### Technical Data

Cordless Impact Screwdriver		GDR 10,8 V-EC	GDR 10,8 V-EC	GDS 10,8 V-EC	GDS 10,8 V-EC
Article number		3 601 JEO 0..	3 601 JEO 0F0	3 601 JEO 1..	3 601 JEO 1F0
Rated voltage	V=	10.8	10.8	10.8	10.8
No-load speed	min <sup>-1</sup>	–	0 – 2600	–	0 – 2600
No-load speed					
– Setting 1	min <sup>-1</sup>	0 – 1200	–	0 – 1200	–
– Setting 2	min <sup>-1</sup>	0 – 2600	–	0 – 2600	–

8   English					
Cordless Impact Screwdriver		GDR 10,8 V-EC	GDR 10,8 V-EC	GDS 10,8 V-EC	GDS 10,8 V-EC
Impact rate	min <sup>-1</sup>	–	0 – 3100	–	0 – 3100
Impact rate					
– Setting 1	min <sup>-1</sup>	0 – 2700	–	0 – 2700	–
– Setting 2	min <sup>-1</sup>	0 – 3100	–	0 – 3100	–
Maximum torque, hard screw-driving application according to ISO 5393	Nm	110	110	115	115
Bolt size	mm	M4 – M12	M4 – M12	M4 – M12	M4 – M12
Max. screw dia.	mm	8	8	8	8
Tool holder		¼" hexagon socket	¼" hexagon socket	■ 3/8"	■ 3/8"
Weight according to EPTA-Procedure 01:2014	kg	0.92 - 1.1	0.92 - 1.1	0.91 - 1.1	0.91 - 1.1

### Battery

Permitted ambient temperature

– when charging	°C	0 ... +45
– during operation*	°C	–20 ... +50
– during storage	°C	–20 ... +60

Recommended batteries GBA 10,8V x,xAh 0–.

\* Limited performance at temperatures < 0 °C

## Assembly

### Removing the Battery (see figure A)

► **Use only the battery chargers listed on the accessories page.** Only these battery chargers are matched to the lithium ion battery of your power tool.

**Note:** The battery is supplied partially charged. To ensure full capacity of the battery, completely charge the battery in the battery charger before using your power tool for the first time.

The lithium-ion battery can be charged at any time without reducing its service life. Interrupting the charging procedure does not damage the battery.

The lithium-ion battery is protected against deep discharging by the "Electronic Cell Protection (ECP)". When the battery is empty, the machine is switched off by means of a protective circuit: The inserted tool no longer rotates.

► **Do not continue to press the On/Off switch after the machine has been automatically switched off.** The battery can be damaged.

To remove the battery **8** press the unlocking buttons **7** and pull out the battery downwards. **Do not exert any force.**

Observe the notes for disposal.

### Changing the Tool

► **Before any work on the machine itself (e. g. maintenance, tool change, etc.) as well as during transport and storage, remove the battery from the power tool.** There is danger of injury when unintentionally actuating the On/Off switch.

► **Regularly clean the power tool's air vents.** The motor's fan will draw the dust inside the housing and excessive accumulation of powdered metal may cause electrical hazards.

### GDR 10,8 V-EC: Inserting (see figure B)

Pull the locking sleeve **2** forward, push the insert tool to the stop into the tool holder **1** and release the locking sleeve **2** to lock the insert tool.

Screwdriver bits **15** can be inserted using a universal bit holder with ball lock **14**.

### Removing

Pull the locking sleeve **2** forward and remove the insert tool.

### GDS 10,8 V-EC: (see figure C)

► **When working with an application tool, pay attention that the application tool is connected securely on the tool holder.** When the application tool is not securely connected with the tool holder, it can come off during application.

Slide the application tool **16** onto the square drive of the tool holder **1**.

However based on the system, if the application tool **16** appears wobbly after connecting securely on the tool holder **1**; this has no influence on the function/safety.

## Operation

### Method of Operation

The tool holder **1** with the tool is driven by an electric motor via a gear and impact mechanism.

The working procedure is divided into two phases:

**Screwing in and tightening** (impact mechanism in action).

The impact mechanism is activated as soon as the screwed connection runs tight and thus load is put on the motor. In this instance, the impact mechanism converts the power of the motor to steady rotary impacts. When loosening screws or nuts, the process is reversed.



## Starting Operation

### Inserting the battery

► **Use only original Bosch lithium ion batteries with the voltage listed on the nameplate of your power tool.** Using other batteries can lead to injuries and pose a fire hazard.

Set the rotational direction switch **9** to the centre position to protect the power tool against accidental starting.

Insert the charged battery **8** from the front into the base of the power tool until the battery is securely locked.

### Reversing the rotational direction (see figure D)

The rotational direction switch **9** is used to reverse the rotational direction of the machine. However, this is not possible with the On/Off switch **10** actuated.

**Right rotation:** For driving in screws and tightening nuts, press the rotational direction switch **9** through to the left stop.

**Left Rotation:** For loosening and unscrewing screws and nuts, press the rotational direction switch **9** through to the right stop.

### Switching On and Off

To **start** the machine, press the On/Off switch **10** and keep it pressed.

To **switch off** the machine, release the On/Off switch **10**.

### Adjusting the Speed

The speed of the switched on power tool can be variably adjusted, depending on how far the On/Off switch **10** is pressed.

Light pressure on the On/Off switch **10** results in a low rotational speed. Further pressure on the switch results in an increase in speed.

### Preselecting the Speed/Impact Frequency (not for power tools with article number 3 601 JE0 0F0 and 3 601 JE0 1F0)

With the button **6** you can preselect the required speed/impact rate in 2 stages. Press the button **6** repeatedly until the desired setting appears in the speed indicator **5**. The selected setting will be saved.

The required speed/impact frequency depends on the material and the working conditions, and can be determined through practical testing.

### Switching the "PowerLight" On/Off (not for power tools with article number 3 601 JE0 0F0 and 3 601 JE0 1F0)

To switch the "PowerLight" **3 on**, press button **4**. To switch the "PowerLight" **3 off**, press button **4** again.

### Battery Charge-control Indication

The battery charge-control indicator **11** consists of three green LEDs, and indicates the charge condition of the battery for a few seconds when the On/Off switch **10** is pressed half-way or fully.

LED	Capacity
Continuous lighting 3 x green	≥ 2/3
Continuous lighting 2 x green	≥ 1/3
Continuous lighting 1 x green	< 1/3
Flashing light 1 x green	Reserve

### Temperature Dependent Overload Protection

In normal conditions of use, the power tool cannot be overloaded. In the event of excessive load or temperatures outside of the permitted battery temperature range of 0 – 70 °C, the power output will be reduced or the power tool switched off. The power tool will not run at full power output again until the permitted battery temperature has been reached.

### Working Advice

► **Apply the power tool to the screw/nut only when it is switched off.** Rotating tool inserts can slip off.

The torque depends on the impact duration. The maximum achieved torque results from the sum of all individual torques achieved through impact. The maximum torque is achieved after an impact duration of 6 – 10 seconds. After this duration, the tightening torque is increased only minimally.

The impact duration is to be determined for each required tightening torque. The actually achieved tightening torque is always to be checked with a torque wrench.

### Screw Applications with Hard, Spring-loaded or Soft Seat

When in a test, the achieved torques in an impact series are measured and transferred into a diagram, resulting in the curve of a torque characteristic. The height of the curve corresponds with the maximum reachable torque, and the steepness indicates the duration in which this is achieved.

A torque gradient depends on the following factors:

- Strength properties of the screws/nuts
- Type of backing (washer, disc spring, seal)
- Strength properties of the material being screwed/bolted together
- Lubrication conditions at the screw/bolt connection

The following application cases result accordingly:

- A **hard seat** is given for metal-to-metal screw applications with the use of washers. After a relatively short impact duration, the maximum torque is reached (steep characteristic curve). Unnecessary long impact duration only causes damage to the machine.
- A **spring-loaded seat** is given for metal-to-metal screw applications, however with the use of spring washers, disc springs, studs or screws/nuts with conical seat as well as when using extensions.
- A **soft seat** is given for screw applications, e. g., metal on wood or when using lead washers or fibre washers as backing.

For a spring-loaded seat as well as for a soft seat, the maximum tightening torque is lower than for a hard seat. Also, a clearly longer impact duration is required.

**10 | English****Reference Values for Maximum Screw/Bolt Tightening Torques**

Calculated from the tensional cross-section; utilization of the yield point 90 % (with friction coefficient  $\mu_{\text{total}} = 0.12$ ). As a control measure, always check the tightening torque with a torque wrench.

Property Classes according to DIN 267	Standard Screws/Bolts						High-strength Bolts				
	3.6	4.6	5.6	4.8	6.6	5.8	6.8	6.9	8.8	10.9	12.9
M 6	2.71	3.61	4.52	4.8	5.42	6.02	7.22	8.13	9.7	13.6	16.2
M 8	6.57	8.7	11	11.6	13.1	14.6	17.5	19.7	23	33	39
M 10	13	17.5	22	23	26	29	35	39	47	65	78
M 12	22.6	30	37.6	40	45	50	60	67	80	113	135
M 14	36	48	60	65	72	79	95	107	130	180	215
M 16	55	73	92	98	110	122	147	165	196	275	330

**Tips**

Before screwing larger, longer screws into hard materials, it is advisable to predrill a pilot hole with the core diameter of the thread to approx.  $\frac{2}{3}$  of the screw length.

**Note:** Pay attention that no metal particles enter the power tool.

**Belt Clip (see figure E)**

With the belt clip **17**, the machine can be hung onto a belt. The user has both hands free and the machine is always at hand.

**Holder (see figure F)**

You can use the holder **18** to hang the power tool, for example on a carabiner hook. The user has both hands free and the machine is always at hand.

**Colour clip (see figure G)**

You can use the colour clip **19** to individually label the power tool.

**Recommendations for Optimal Handling of the Battery**

Protect the battery against moisture and water.

Store the battery only within a temperature range between 0 °C and 50 °C. As an example, do not leave the battery in the car in summer.

Occasionally clean the venting slots of the battery using a soft, clean and dry brush.

A significantly reduced working period after charging indicates that the battery is used and must be replaced.

Observe the notes for disposal.

**Maintenance and Service****Maintenance and Cleaning**

- ▶ **Before any work on the machine itself (e. g. maintenance, tool change, etc.) as well as during transport and storage, remove the battery from the power tool.**

There is danger of injury when unintentionally actuating the On/Off switch.

- ▶ **For safe and proper working, always keep the machine and ventilation slots clean.**

**After-sales Service and Application Service**

Our after-sales service responds to your questions concerning maintenance and repair of your product as well as spare parts. Exploded views and information on spare parts can also be found under:

**www.bosch-pt.com**

Bosch's application service team will gladly answer questions concerning our products and their accessories.

In all correspondence and spare parts order, please always include the 10-digit article number given on the type plate of the machine.

**People's Republic of China****China Mainland**

Bosch Power Tools (China) Co., Ltd.  
567, Bin Kang Road  
Bin Jiang District 310052  
Hangzhou, P. R. China  
Service Hotline: 4008268484  
Fax: (0571) 87774502  
E-Mail: contact.ptcn@cn.bosch.com  
www.bosch-pt.com.cn

**HK and Macau Special Administrative Regions**

Robert Bosch Hong Kong Co. Ltd.  
21st Floor, 625 King's Road  
North Point, Hong Kong  
Customer Service Hotline: +852 2101 0235  
Fax: +852 2590 9762  
E-Mail: info@hk.bosch.com  
www.bosch-pt.com.hk

**Indonesia**

PT Robert Bosch  
Palma Tower 9<sup>th</sup> & 10<sup>th</sup> Floor  
Jl. Let. Jend. TB Simatupang II S/06  
Jakarta Selatan 12960  
Indonesia  
Tel.: (021) 3005 6565  
Fax: (021) 3005 5801  
E-Mail: boschpowertools@id.bosch.com  
www.bosch-pt.co.id

**Philippines**

Robert Bosch, Inc.  
28th Floor Fort Legend Towers,  
3rd Avenue corner 31st Street,  
Fort Bonifacio Global City,  
1634 Taguig City, Philippines  
Tel.: (02) 8703871  
Fax: (02) 8703870  
matheus.contiero@ph.bosch.com  
www.bosch-pt.com.ph

Bosch Service Center:  
9725-27 Kamagong Street  
San Antonio Village  
Makati City, Philippines  
Tel.: (02) 8999091  
Fax: (02) 8976432  
rosalie.dagdagan@ph.bosch.com

**Malaysia**

Robert Bosch (S.E.A.) Sdn. Bhd.  
No. 8A, Jalan 13/6  
G.P.O. Box 10818  
46200 Petaling Jaya  
Selangor, Malaysia  
Tel.: (03) 79663194  
Fax: (03) 79583838  
cheehoe.on@my.bosch.com  
Toll-Free: 1800 880188  
www.bosch-pt.com.my

**Thailand**

Robert Bosch Ltd.  
Liberty Square Building  
No. 287, 11 Floor  
Silom Road, Bangrak  
Bangkok 10500  
Tel.: 02 6393111, 02 6393118  
Fax: 02 2384783  
Robert Bosch Ltd., P. O. Box 2054  
Bangkok 10501, Thailand  
www.bosch.co.th

Bosch Service – Training Centre  
La Salle Tower Ground Floor Unit No.2  
10/11 La Salle Moo 16  
Srinakharin Road  
Bangkaew, Bang Plee  
Samutprakarn 10540  
Thailand  
Tel.: 02 7587555  
Fax: 02 7587525

**Singapore**

Robert Bosch (SEA) Pte. Ltd.  
11 Bishan Street 21  
Singapore 573943  
Tel.: 6571 2772  
Fax: 6350 5315  
leongheng.leow@sg.bosch.com  
Toll-Free: 1800 3338333  
www.bosch-pt.com.sg

**Vietnam**

Robert Bosch Vietnam Co. Ltd  
10/F, 194 Golden Building  
473 Dien Bien Phu Street  
Ward 25, Binh Thanh District  
84 Ho Chi Minh City  
Vietnam  
Tel.: (08) 6258 3690 ext. 413  
Fax: (08) 6258 3692  
hieu.lagia@vn.bosch.com  
www.bosch-pt.com

**Australia, New Zealand and Pacific Islands**

Robert Bosch Australia Pty. Ltd.  
Power Tools  
Locked Bag 66  
Clayton South VIC 3169  
Customer Contact Center  
Inside Australia:  
Phone: (01300) 307044  
Fax: (01300) 307045  
Inside New Zealand:  
Phone: (0800) 543353  
Fax: (0800) 428570  
Outside AU and NZ:  
Phone: +61 3 95415555  
www.bosch.com.au

**Transport**

The contained lithium-ion batteries are subject to the Dangerous Goods Legislation requirements. The user can transport the batteries by road without further requirements.

When being transported by third parties (e. g.: air transport or forwarding agency), special requirements on packaging and labelling must be observed. For preparation of the item being shipped, consulting an expert for hazardous material is required.

Dispatch batteries only when the housing is undamaged. Tape or mask off open contacts and pack up the battery in such a manner that it cannot move around in the packaging. Please also observe possibly more detailed national regulations.

**Disposal**

The machine, rechargeable batteries, accessories and packaging should be sorted for environmental-friendly recycling.

Do not dispose of power tools and batteries/rechargeable batteries into household waste!

**Battery packs/batteries:****Li-ion:**

Please observe the instructions in section "Transport", page 11.

Subject to change without notice.

## 中文

### 安全规章

#### 电动工具通用安全警告

**警告！** 阅读所有警告和所有说明！不遵照以下警告和说明会导致电击、着火和/或严重伤害。

保存所有警告和说明书以备查阅。

在所有下列的警告中术语“电动工具”指市电驱动（有线）电动工具或电池驱动（无线）电动工具。

#### 工作场地的安全

- ▶ 保持工作场地清洁和明亮。混乱和黑暗的场地会引发事故。
- ▶ 不要在易爆环境，如有易燃液体、气体或粉尘的环境下操作电动工具。电动工具产生的火花会点燃粉尘或气体。
- ▶ 让儿童和旁观者离开后操作电动工具。注意力不集中会使操作者失去对工具的控制。

#### 电气安全

- ▶ 电动工具插头必须与插座相配。绝不能以任何方式改装插头。需接地的电动工具不能使用任何转换插头。未经改装的插头和相配的插座将减少电击危险。
- ▶ 避免人体接触接地表面，如管道、散热片和冰箱。如果你身体接地会增加电击危险。
- ▶ 不得将电动工具暴露在雨中或潮湿环境中。水进入电动工具将增加电击危险。
- ▶ 不得滥用电线。绝不能用电线搬运、拉动电动工具或拔出其插头。使电线远离热源、油、锐边或运动部件。受损或缠绕的软线会增加电击危险。
- ▶ 当在户外使用电动工具时，使用适合户外使用的外接软线。适合户外使用的软线将减少电击危险。
- ▶ 如果在潮湿环境下操作电动工具是不可避免的，应使用剩余电流动作保护器（RCD）。使用 RCD 可减小电击危险。

#### 人身安全

- ▶ 保持警觉，当操作电动工具时关注所从事的操作并保持清醒。当你感到疲倦，或在有药物、酒精或治疗反应时，不要操作电动工具。在操作电动工具时瞬间的疏忽会导致严重人身伤害。
- ▶ 使用个人防护装置。始终佩戴护目镜。安全装置，诸如适当条件下使用防尘面具、防滑安全鞋、安全帽、听力防护等装置能减少人身伤害。
- ▶ 防止意外起动。确保开关在连接电源和/或电池盒、拿起或搬运工具时处于关断位置。手指放在已接通电源的开关上或开关处于接通时插入插头可能会导致危险。

- ▶ 在电动工具接通之前，拿掉所有调节钥匙或扳手。遗留在电动工具旋转零件上的扳手或钥匙会导致人身伤害。
- ▶ 手不要伸展得太长。时刻注意立足点和身体平衡。这样在意外情况下能很好地控制电动工具。
- ▶ 着装适当。不要穿宽松衣服或佩戴饰品。让衣服、手套和头发远离运动部件。宽松衣服、佩饰或长发可能会卷入运动部件中。
- ▶ 如果提供了与排屑、集尘设备连接用的装置，要确保他们连接完好且使用得当。使用这些装置可减少尘屑引起的危险。

#### 电动工具使用和注意事项

- ▶ 不要滥用电动工具，根据用途使用适当的电动工具。选用适当设计的电动工具会使你工作更有效、更安全。
- ▶ 如果开关不能接通或关断工具电源，则不能使用该电动工具。不能用开关来控制的电动工具是危险的且必须进行修理。
- ▶ 在进行任何调节、更换附件或贮存电动工具之前，必须从电源上拔掉插头和/或使电池盒与工具脱开。这种防护性措施将减少工具意外起动的危险。
- ▶ 将闲置不用的电动工具贮存在儿童所及范围之外，并且不要让不熟悉电动工具或对这些说明不了解的人操作电动工具。电动工具在未经培训的用户手中是危险的。
- ▶ 保养电动工具。检查运动件是否调整到位或卡住，检查零件破损情况和影响电动工具运行的其他状况。如有损坏，电动工具应在使用前修理好。许多事故由维护不良的电动工具引发。
- ▶ 保持切削刀具锋利和清洁。保养良好的有锋利切削刃的刀具不易卡住而且容易控制。
- ▶ 按照使用说明书，考虑作业条件和进行的作业来使用电动工具、附件和工具的刀头等。将电动工具用于那些与其用途不符的操作可能会导致危险。

#### 电池式工具使用和注意事项

- ▶ 只用制造商规定的充电器充电。将适用于某种电池盒的充电器用到其他电池盒时会发生着火危险。
- ▶ 只有在配有专用电池盒的情况下才使用电动工具。使用其他电池盒会发生损坏和着火危险。
- ▶ 当电池盒不用时，将它远离其他金属物体，例如回形针、硬币、钥匙、钉子、螺钉或其他小金属物体，以防一端与另一端连接。电池端部短路会引起燃烧或火灾。
- ▶ 在滥用条件下，液体会从电池中溅出；避免接触。如果意外碰到了，用水冲洗。如果液体碰到了眼睛，还要寻求医疗帮助。从电池中溅出的液体会发生腐蚀或燃烧。

**维修**

- ▶ **将你的电动工具送交专业维修人员，使用同样的备件进行修理。** 这样将确保所维修的电动工具的安全性。

**针对冲击扳手的安全规章**

- ▶ **在紧固件可能触及暗线进行操作时，要通过绝缘握持面来握持工具。** 紧固件碰到带电导线会使工具外露的金属零件带电从而使操作者受到电击。
- ▶ **固定好工件。** 使用固定装置或老虎钳固定工件，会比用手持握工件更牢固。
- ▶ **等待电动工具完全静止后才能够放下机器。** 机器上的工具可能在工作中被夹住，而令您无法控制电动工具。
- ▶ **切勿打开蓄电池。** 可能造成短路。



**保护蓄电池免受高温（例如长期日照），火焰，水和湿气的侵害。有爆炸的危险。**

- ▶ **如果蓄电池损坏了，或者未按照规定使用蓄电池，** 蓄电池中会散发出有毒蒸汽。工作场所必须保持空气流通，如果身体有任何不适必须马上就医。蓄电池散发的蒸汽会刺激呼吸道。
- ▶ **本蓄电池只能使用在博世的的产品上。** 这样才能够避免蓄电池发生危险的过载现象。
- ▶ **通过尖的物件如钉子或螺丝刀通过外力作用时，可能损坏蓄电池。** 有可能出现内部短路、蓄电池燃烧、发出烟雾、爆炸或过热。

**产品和功率描述**

**阅读所有的警告提示和指示。** 如未确实遵循警告提示和指示，可能导致电击，火灾并且 / 或其他的严重伤害。

**按照规定使用机器**

本电动工具适用于拧入和拧出螺丝，并且可以拧紧和放松规定尺寸内的螺母。

本电动工具的照明灯用于电动工具工作范围周围的照明，不适用于家庭房间照明。

**插图上的机件**

机件的编号和电动工具详解图上的编号一致。

- 1 工具接头
- 2 锁定套筒
- 3 灯 "PowerLight"
- 4 "PowerLight" 照明灯按钮\*\*
- 5 转速显示\*\*
- 6 电子转速预选按钮\*\*
- 7 蓄电池的解锁按键
- 8 蓄电池
- 9 正逆转开关
- 10 起停开关
- 11 蓄电池的充电电量指示灯
- 12 手柄（绝缘握柄）
- 13 双批咀\*
- 14 通用批嘴连杆\*
- 15 螺丝批嘴\*
- 16 安装件（例如螺母起子头）\*
- 17 腰带夹\*
- 18 支架\*
- 19 彩色卡子\*

\* 图表或说明上提到的附件，并不包含在基本的供货范围中。本公司的附件清单中有完整的附件供应项目。

\*\* 不适用于物品代码 3 601 JEO 0F0 和 3 601 JEO 1F0 的电动工具

**技术数据**

充电式冲击钻 / 起子机	GDR 10,8 V-EC	GDR 10,8 V-EC	GDS 10,8 V-EC	GDS 10,8 V-EC
物品代码	3 601 JEO 0..	3 601 JEO 0F0	3 601 JEO 1..	3 601 JEO 1F0
额定电压	伏特 = 10,8	10,8	10,8	10,8
无负载转速	次 / 分 -	0 - 2600	-	0 - 2600
无负载转速				
- 设置 1	次 / 分 0 - 1200	-	0 - 1200	-
- 设置 2	次 / 分 0 - 2600	-	0 - 2600	-
冲击次数	次 / 分 -	0 - 3100	-	0 - 3100
冲击次数				
- 设置 1	次 / 分 0 - 2700	-	0 - 2700	-
- 设置 2	次 / 分 0 - 3100	-	0 - 3100	-
根据 ISO 5393, 硬垫拧转的 最大扭矩	牛頓米 110	110	115	115

## 14 | 中文

充电式冲击钻 / 起子机		GDR 10,8 V-EC	GDR 10,8 V-EC	GDS 10,8 V-EC	GDS 10,8 V-EC
螺丝直径	毫米	M4 - M12	M4 - M12	M4 - M12	M4 - M12
最大螺丝直径	毫米	8	8	8	8
工具夹头		1/4" 内六角	1/4" 内六角	■ 3/8"	■ 3/8"
重量符合 EPTA-Procedure 01:2014	公斤	0.92 - 1.1	0.92 - 1.1	0.91 - 1.1	0.91 - 1.1

## 充电电池

允许的环境温度

- 充电时	°C	0...+45
- 工作时 *	°C	-20...+50
- 仓储时	°C	-20...+60

建议使用的充电电池 GBA 10,8V x, xAh 0 - .

\* 温度 &lt; 0 °C 时功率受限

## 安装

## 取出蓄电池 (参考插图 A)

▶ 只能选用附件页上提供的充电器。此充电器是电动工具上的锂离子蓄电池的专用充电器。

**提示:** 蓄电池在交货时只完成部分充电。首度使用电动工具之前, 必须先充足蓄电池的电以确保蓄电池的功率。

可以随时为锂离子蓄电池充电, 不会缩短电池的使用寿命。如果充电过程突然中断, 也不会损坏电池。

本锂离子蓄电池配备了 "电子充电室保护装置 (ECP)", 可以防止蓄电池过度放电。电池的电量如果用尽了, 保护开关会自动关闭电动工具: 安装在机器上的工具会停止转动。

▶ 电动工具被关闭之后, 切勿继续按住起停开关。可能损坏电池。

先按下解锁按键 7, 接著才能够从电动工具中, 向下抽出蓄电池 8。切勿强行拉出蓄电池。

请注意有关作废处理的规定。

## 更换工具

▶ 在电动工具上进行任何维护的工作 (例如维修, 更换工具等等), 以及搬运、保存电动工具之前都必须从机器中取出蓄电池。不小心开动了起停开关可能造成伤害。

▶ 经常清理电动工具的通风口。电动机风扇会将灰尘吸进机壳, 过多的金属粉末沉积会导致电气危险。

GDR 10,8 V- EC;

## 安装工具 (参考插图 B)

先向前抽拉锁定套筒 2, 将工具插入工具接头 1 中并把工具推到接头的末端, 接著再放开锁定套筒 2 以锁定工具。

可借用带滚珠制动功能的通用批咀架 14 安装螺丝批咀 15。

## 拆卸工具

先向前抽拉锁定套筒 2, 并取出工具。

## GDS 10,8 V- EC: (参考插图 C)

▶ 装入安装件时务必要确认它是否牢牢地固定在工具接头上。如果安装件未牢固地插在工具接头中, 可能是在拧转螺丝时松脱。

把工作头 16 套在工具接头 1 上。

由于系统设计的关系, 安装件 16 和工具接头 1 之间会存在些微的游隙; 这并不会影响机器的功能 / 安全性能。

## 操作

## 运作原理

工具接头 1 和安装在接头上的工具, 是靠著电子马达带动传动装置和敲击体来驱动的。

整个运作过程可以划分为两个阶段:

**旋转** 和 **拧紧** (冲击体投入运作)。

一旦螺丝咬入工件中而且发动机开始受荷, 冲击体便投入运作。冲击体把发动机的传动力转换为均匀的旋转式敲击动作。放松螺丝或螺母时, 整个运作过程会反向进行。

## 操作机器

## 安装蓄电池

▶ 只能使用博世原厂的锂离子蓄电池, 电池的电压必须和机器铭牌上提供的电压一致。使用其它厂牌的蓄电池, 可能导致意外伤害并造成火灾。

把正逆转开关 9 设定在中央的位置, 以避免不小心开动电动工具。

把充好电的蓄电池 8 从前端推入电动工具的底座中, 必须让蓄电池确实卡牢。

## 改变转向 (参考插图 D)

使用正逆转开关 9 可以改变机器的转向。如果按住了起停开关 10, 则无法改变转向。

**正转:** 适用于转入螺丝和拧紧螺母时, 把正逆转开关 9 向左推到底。

**逆转:** 适用于放松 / 转出螺丝和螺母, 把正逆转开关 9 向右推到底。

**开动 / 关闭**

操作电动工具时先按下电动工具的起停开关 **10**，并持续按着。

放开起停开关 **10** 便可以 **关闭** 电动工具。

**调整转速**

你可以无级式调整转速，把起停开关 **10** 按得越紧，转速就越快。

轻按起停开关 **10** 机器以低转速运转。逐渐在开关上加压，转速也会跟着提高。

**设定转速 / 冲击次数（不适用于物品代码****3 601 JEO 0F0 和 3 601 JEO 1F0 的电动工具）**

通过按键 **6**，您可在 2 档中预先选择所需的转速 / 冲击次数。反复按压按键 **6**，直到所需设置在转速显示 **5** 上亮起。所选设置将被存储。

正确的转速 / 冲击次数必须视加工物料和工作状况而定，唯有实际操作才能够得到最合适的结果。

**打开 / 关闭 "PowerLight" 照明灯（不适用于物品代码 3 601 JEO 0F0 和 3 601 JEO 1F0 的电动工具）**

要启用照明灯 **3**，按压按钮 **4**。要关闭照明灯 **3**，则再次按压按钮 **4**。

**蓄电池的充电电量指示灯**

当您半按住起停开关，或完全按下起停开关 **10** 数秒钟之后，蓄电池的充电电量指示灯 **11** 便会显示蓄电池的现有电量，而电量的多寡则透过 3 个绿灯来显示。

LED	容量
3 个绿灯持续亮着	≥ 2/3
2 个绿灯持续亮着	≥ 1/3
1 个绿灯持续亮着	< 1/3
1 个绿灯闪烁	备用电量

**温控的过载保护装置**

按照规定使用时不会造成电动工具过载。过大负荷或超出允许的蓄电池温度范围 0 - 70 °C，会导致转速

**最大螺丝拉紧扭力的参考值**

所提供的数据的单位是牛顿米，数据是由切削截面面积运算所得；屈服点的利用为百分之 90 %（在摩擦系数  $\mu_{时} = 0,12$ ）。随时以扭力测量仪检查拉紧扭力。

强度等级根据 DIN 267	标准螺丝				高强度螺丝						
	3.6	4.6	5.6	4.8	6.6	5.8	6.8	6.9	8.8	10.9	12.9
M 6	2.71	3.61	4.52	4.8	5.42	6.02	7.22	8.13	9.7	13.6	16.2
M 8	6.57	8.7	11	11.6	13.1	14.6	17.5	19.7	23	33	39
M 10	13	17.5	22	23	26	29	35	39	47	65	78
M 12	22.6	30	37.6	40	45	50	60	67	80	113	135
M 14	36	48	60	65	72	79	95	107	130	180	215
M 16	55	73	92	98	110	122	147	165	196	275	330

**建议**

把大的、长的螺丝拧入坚硬的物料中之前，必须根据

降低或造成电动工具关闭。该电动工具在达到了允许的蓄电池温度后才能再次以满功率运行。

**有关操作方式的指点**

▶ **先关闭电动工具，然后再把工具放置在螺母 / 螺丝上。** 安装在接头上的工具如果仍继续转动，容易从螺丝头上滑开。

扭力大小和冲击时间长短有关。最大扭矩是所有经由冲击所产生的单一扭力的总和。在冲击约 6 - 10 秒之后扭力可以达到最大。超过这段时间，拉紧扭力只轻微增加。

必须测量每个拉紧扭力的持续冲击时间。随时以扭力测量仪，检查测得的拉紧扭力。

**硬垫拧转，弹簧垫拧转或软垫拧转**

如果把单一冲击过程中测得的各个扭力记载在线图上，可以得到扭力变化的曲线。曲线的最高点是最大扭矩。上升的线段则代表到达最大扭矩所需的时间。

扭力曲线的演变会受以下因素影响：

- 螺丝 / 螺母的强度
- 垫片的种类（螺片，冠状弹簧，密封片）
- 即将被拧入螺丝的物料的强度
- 螺丝是否涂抹了润滑油

综合以上因素，大概可以归类出下列的工作状况：

- **硬垫拧转**，是指在使用垫片的前提下把金属螺丝拧入金属材料中。经过短暂的冲击之后便可达到最大扭矩（比较陡的上升曲线）。不必要的延长冲击时间只会损坏机器。
- **弹簧垫拧转**，是指在使用了弹簧圈、冠状弹簧、螺栓、带圆锥座的螺丝 / 螺母以及延长零件等的情况下把金属螺丝拧入金属材料中。
- **软垫拧转**，以下几个例子都属于软垫拧转：把金属螺丝拧入木材中，或者拧紧螺丝时使用了铅垫片、纤维垫片。

弹簧垫拧转和软垫拧转的最大扭力小于硬垫拧转的最大扭力。而且前者需要的冲击时间却明显超越后者。

螺纹的中心直径打预钻孔，预钻孔的深度大概为螺丝长度的  $2/3$ 。

## 16 | 中文

**指示：** 请留意，勿让小的金属物品掉入电动工具中。

#### 腰带夹 (参考插图 E)

使用腰带夹 17 可以把电动工具挂在腰带上。不但能够空出双手而且电动工具也随手可即。

#### 支架 (参考插图 F)

利用支架 18，您可将电动工具挂在例如弹簧钩上。不但能够空出双手而且电动工具也随手可即。

#### 彩色卡子 (参考插图 G)

您可用彩色卡子 19 个性化标记该电动工具。

#### 如何正确地使用蓄电池

保护蓄电池，避免湿气和水分渗入。

蓄电池必须储存在摄氏 0 到 50 度的环境中。夏天不可以把蓄电池搁置在汽车中。

不时地使用柔软、清洁而且干燥的毛刷清洁蓄电池的通气孔。

充电后如果蓄电池的使用时间明显缩短，代表蓄电池已经损坏，必须更换新的蓄电池。

请注意有关作废处理的规定。

## 维修和服务

### 维修和清洁

- ▶ 在电动工具上进行任何维护的工作 (例如维修, 更换工具等等), 以及搬运、保存电动工具之前都必须从机器中取出蓄电池。不小心开动了起停开关可能造成伤害。
- ▶ 电动工具和通风间隙都必须保持清洁, 这样才能提高工作品质 and 安全性。

### 顾客服务处和顾客咨询中心

本公司顾客服务处负责回答有关本公司产品的修理、维护和备件的问题。以下的网页中有爆炸图和备件的资料：

[www.bosch-pt.com](http://www.bosch-pt.com)

博世顾客咨询团队非常乐意为您解答有关本公司产品及附件的问题。

询问和订购备件时，务必提供机器铭牌上标示的 10 位数物品代码。

有关保证，维修或更换零件事宜，请问合格的经销商查询。

### 中国大陆

博世电动工具 (中国) 有限公司  
中国 浙江省 杭州市  
滨江区滨康路 567 号  
邮政编码：310052  
免费服务热线：4008268484  
传真：(0571) 87774502  
电邮：[contact.ptcn@cn.bosch.com](mailto:contact.ptcn@cn.bosch.com)  
[www.bosch-pt.com.cn](http://www.bosch-pt.com.cn)

羅伯特·博世有限公司  
香港北角英皇道 625 號 21 樓  
客戶服務熱線：+852 2101 0235  
傳真：+852 2590 9762  
電郵：[info@hk.bosch.com](mailto:info@hk.bosch.com)  
網站：[www.bosch-pt.com.hk](http://www.bosch-pt.com.hk)

### 制造商地址：

Robert Bosch Power Tools GmbH  
罗伯特·博世电动工具有限公司  
70538 Stuttgart / GERMANY  
70538 斯图加特 / 德国

### 搬运


随着机器一起供货的锂离子蓄电池必须受危险物品法规范。使用者无须另外使用保护包装便可以运送该蓄电池。

但是如果将它交由第三者运送 (例如：寄空运或委托运输公司) 则使用特殊的包装和标示。此时必须向危险物品专家请教有关寄送危险物品的相关事宜。

确定蓄电池的外壳未受损后，才可以寄送蓄电池。粘好未加盖的触点并包装好蓄电池，不可以让蓄电池在包装中晃动。

必要时也得注意各国有关的法规。

### 处理废弃物

 必须以符合环保的方式，回收再利用损坏的电动工具、蓄电池、附件和废弃的包装材料。

不可以把电动工具和蓄电池 / 电池丢入一般的家庭垃圾中！

### 充电电池 / 电池：



**锂离子：**  
请注意“搬运”段落中的指示，页 16。

保留修改权。



## 中文

### 安全規章

#### 電動工具通用安全警告

**警告** 閱讀所有警告和所有說明。不遵照以下警告和說明會導致電擊、着火和/或嚴重傷害。

保存所有警告和說明書以備查閱。

在所有下列的警告中術語 " 電動工具 " 指市電驅動 (有線) 電動工具或電池驅動 (無線) 電動工具。

#### 工作場地的安全

- ▶ 保持工作場地清潔和明亮。混亂和黑暗的場地會引發事故。
- ▶ 不要在易爆環境，如有易燃液體、氣體或粉塵的環境下操作電動工具。電動工具產生的火花會點燃粉塵或氣體。
- ▶ 讓兒童和旁觀者離開後操作電動工具。注意力不集中會使你失去對工具的控制。

#### 電氣安全

- ▶ 電動工具插頭必須與插座相配。絕不能以任何方式改裝插頭。需接地的電動工具不能使用任何轉換插頭。未經改裝的插頭和相配的插座將減少電擊危險。
- ▶ 避免人體接觸接地表面，如管道、散熱片和冰箱。如果你身體接地會增加電擊危險。
- ▶ 不得將電動工具暴露在雨中或潮濕環境中。水進入電動工具將增加電擊危險。
- ▶ 不得濫用電線。絕不能用電線搬運、拉動電動工具或拔出其插頭。使電線遠離熱源、油、銳邊或運動部件。受損或纏繞的軟線會增加電擊危險。
- ▶ 當在戶外使用電動工具時，使用適合戶外使用的外接軟線。適合戶外使用的軟線，將減少電擊危險。
- ▶ 如果在潮濕環境下操作電動工具是不可避免的，應使用剩餘電流動作保護器 (RCD)。使用 RCD 可減小電擊危險。

#### 人身安全

- ▶ 保持警覺，當操作電動工具時關注所從事的操作並保持清醒。當你感到疲倦，或在有藥物、酒精或治療反應時，不要操作電動工具。在操作電動工具時瞬間的疏忽會導致嚴重人身傷害。
- ▶ 使用個人防護裝置。始終佩戴護目鏡。安全裝置，諸如適當條件下使用防塵面具、防滑安全鞋、安全帽、聽力防護等裝置能減少人身傷害。
- ▶ 防止意外起動。確保開關在連接電源和/或電池盒、拿起或搬運工具時處於關斷位置。手指放在已接通電源的開關上或開關處於接通時插入插頭可能會導致危險。

- ▶ 在電動工具接通之前，拿掉所有調節鑰匙或扳手。遺留在電動工具旋轉零件上的扳手或鑰匙會導致人身傷害。
- ▶ 手不要伸展得太長。時刻注意立足點和身體平衡。這樣在意外情況下能很好地控制電動工具。
- ▶ 著裝適當。不要穿寬鬆衣服或佩戴飾品。讓你的衣服、手套和頭髮遠離運動部件。寬鬆衣服、佩飾或長髮可能會捲入運動部件中。
- ▶ 如果提供了與排屑、集塵設備連接用的裝置，要確保他們連接完好且使用得當。使用這些裝置可減少塵屑引起的危險。

#### 電動工具使用和注意事項

- ▶ 不要濫用電動工具，根據用途使用適當的電動工具。選用適當設計的電動工具會使你工作更有效、更安全。
- ▶ 如果開關不能接通或關斷工具電源，則不能使用該電動工具。不能用開關來控制的電動工具是危險的且必須進行修理。
- ▶ 在進行任何調節、更換附件或貯存電動工具之前，必須從電源上拔掉插頭和/或使電池盒與工具脫開。這種防護性措施將減少工具意外起動的危險。
- ▶ 將閒置不用的電動工具貯存在兒童所及範圍之外，並且不要讓不熟悉電動工具或對這些說明不瞭解的人操作電動工具。電動工具在未經培訓的用戶手中是危險的。
- ▶ 保養電動工具。檢查運動件是否調整到位或卡住，檢查零件破損情況和影響電動工具運行的其他狀況。如有損壞，電動工具應在使用前修理好。許多事故由維護不良的電動工具引發。
- ▶ 保持切削刀具鋒利和清潔。保養良好的有鋒利切刃的刀具不易卡住而且容易控制。
- ▶ 按照使用說明書，考慮作業條件和進行的作業來使用電動工具、附件和工具的刀頭等。將電動工具用於那些與其用途不符的操作可能會導致危險。

#### 電池式工具使用和注意事項

- ▶ 只用製造商規定的充電器充電。將適用於某種電池盒的充電器用到其他電池盒時會發生著火危險。
- ▶ 只有在配有專用電池盒的情況下才使用電動工具。使用其他電池盒會發生損壞和著火危險。
- ▶ 當電池盒不用時，將它遠離其他金屬物體，例如回形針、硬幣、鑰匙、釘子、螺釘或其他小金屬物體，以防一端與另一端連接。電池端部短路會引起燃燒或火災。
- ▶ 在濫用條件下，液體會從電池中濺出；避免接觸。如果意外碰到了，用水沖洗。如果液體碰到了眼睛，還要尋求醫療幫助。從電池中濺出的液體會發生腐蝕或燃燒。

## 18 | 中文

**檢修**

- ▶ 將你的電動工具送交專業維修人員，必須使用同樣的備件進行更換。這樣將確保所維修的電動工具的安全性。

**針對衝擊扳手的安全規章**

- ▶ 工作時如果電動起子機可能割斷隱藏的電線，一定要握住絕緣手柄操作機器。電動起子機如果接觸了帶電的線路，電動工具上的金屬部件會導電，可能造成操作者觸電。
- ▶ 固定好工件。使用固定裝置或老虎鉗固定工件，會比用手持握工件更牢固。
- ▶ 等待電動工具完全靜止後才能夠放下機器。機器上的工具可能在工作中被夾住，而令您無法控制電動工具。
- ▶ 切勿打開蓄電池。可能造成短路。



保護蓄電池免受高溫（例如長期日照），火焰，水和濕氣的侵害。有爆炸的危險。

- ▶ 如果蓄電池損壞了，或者未按照規定使用蓄電池，蓄電池中會散發出有毒蒸汽。工作場所必須保持空氣流通，如果身體有任何不適必須馬上就醫。蓄電池散發的蒸汽會刺激呼吸道。
- ▶ 本蓄電池只能使用在博世的產品上。這樣才能夠避免蓄電池發生危險的過載現象。
- ▶ 尖銳物品（例如釘子或螺絲起子）或是外力皆有可能造成充電電池損壞，進而導致內部短路而發生電池起火、冒煙、爆炸或過熱等事故。

**產品和功率描述**

閱讀所有的警告提示和指示。如未確實遵循警告提示和指示，可能導致電擊、火災並且 / 或其他的嚴重傷害。

**技術性數據**

充電式衝擊鑽 / 起子機	GDR 10,8 V-EC	GDR 10,8 V-EC	GDS 10,8 V-EC	GDS 10,8 V-EC
物品代碼	3 601 JEO 0..	3 601 JEO 0F0	3 601 JEO 1..	3 601 JEO 1F0
額定電壓	伏特 = 10,8	10,8	10,8	10,8
無負載轉速	次 / 分 -	0 - 2600	-	0 - 2600
無負載轉速				
- 設定 1	次 / 分 0 - 1200	-	0 - 1200	-
- 設定 2	次 / 分 0 - 2600	-	0 - 2600	-
衝擊次數	次 / 分 -	0 - 3100	-	0 - 3100
衝擊次數				
- 設定 1	次 / 分 0 - 2700	-	0 - 2700	-
- 設定 2	次 / 分 0 - 3100	-	0 - 3100	-
根據 ISO 5393, 硬墊轉轉的 最大扭矩	牛頓米 110	110	115	115

**按照規定使用機器**

本電動工具適用於擰入和擰出螺絲，並且可以擰緊和放松規定尺寸內的螺母。

本電動工具的燈光設計用於照明電動工具的工作範圍，並不適合用於居家照明。

**插圖上的機件**

機件的編號和電動工具詳解圖上的編號一致。

- 1 工具接頭
- 2 鎖定套筒
- 3 燈 "PowerLight"
- 4 "PowerLight" 燈按鍵\*\*
- 5 轉數顯示器\*\*
- 6 電子式轉數預設鍵\*\*
- 7 蓄電池的解鎖按鍵
- 8 蓄電池
- 9 正逆轉開關
- 10 起停開關
- 11 蓄電池的充電電量指示燈
- 12 手柄（絕緣握柄）
- 13 雙頭式工具頭\*
- 14 通用批嘴連桿\*
- 15 螺絲批嘴\*
- 16 安裝件（例如螺母起子頭）\*
- 17 腰帶夾\*
- 18 固定支架\*
- 19 彩色夾\*

\*圖表或說明上提到的附件，並不包含在基本的供貨範圍中。本公司的附件清單中有完整的附件供應項目。

\*\*不適用於項目編號為 3 601 JEO 0F0 與 3 601 JEO 1F0 的電動工具

充電式沖擊鑽 / 起子機		GDR 10,8 V-EC	GDR 10,8 V-EC	GDS 10,8 V-EC	GDS 10,8 V-EC
螺絲直徑	毫米	M4 - M12	M4 - M12	M4 - M12	M4 - M12
最大螺絲直徑	毫米	8	8	8	8
工具夾頭		1/4" 內六角	1/4" 內六角	■ 3/8"	■ 3/8"
重量符合 EPTA-Procedure 01:2014	公斤	0.92 - 1.1	0.92 - 1.1	0.91 - 1.1	0.91 - 1.1

### 蓄電池

#### 容許環境溫度

- 充電狀態下	°C	0...+45
- 操作狀態下*	°C	-20...+50
- 存放狀態下	°C	-20...+60

建議使用之充電電池 GBA 10,8V x, xAh 0 - .

\* 溫度 < 0 °C 時，性能受限

## 安裝

### 取出充電電池 (參考插圖 A)

- ▶ 只能選用附件頁上提供的充電器。此充電器是電動工具上的鋰離子蓄電池的專用充電器。

**指示：**蓄電池在交貨時只完成部分充電。首度使用電動工具之前，必須先充足蓄電池的電以確保蓄電池的功率。

可以隨時為鋰離子蓄電池充電，不會縮短電池的使用壽命。如果充電過程突然中斷，也不會損壞電池。

本鋰離子蓄電池配備了 "電子充電室保護裝置 (ECP)"，可以防止蓄電池過度放電。電池的電量如果用盡了，保護開關會自動關閉電動工具：安裝在機器上的工具會停止轉動。

- ▶ 電動工具被關閉之後，切勿繼續按住起停開關。可能損壞電池。

先按下解鎖按鍵 7，接著才能夠從電動工具中，向下抽出蓄電池 8。切勿強行拉出蓄電池。

請注意有關作廢處理的規定。

### 更換工具

- ▶ 在電動工具上進行任何維護的工作 (例如維修、更換工具等等)，以及搬運、保存電動工具之前都必須從機器中取出蓄電池。不小心開動了起停開關可能造成傷害。

- ▶ 經常清理電動工具的通風口。電動機風扇會將灰塵吸進機殼，過多的金屬粉末沉積會導致電氣危險。

### GDR 10,8 V- EC:

#### 安裝工具 (參考插圖 B)

先向前抽拉鎖定套筒 2，將工具插入工具接頭 1 中並把工具推到接頭的盡端，接著再放開鎖定套筒 2 以鎖定工具。

起子頭 15 可透過一個具有球型卡榫設計 14 的通用連桿安裝上去。

### 拆卸工具

先向前抽拉鎖定套筒 2，並取出工具。

### GDS 10,8 V- EC: (參考插圖 C)

- ▶ 裝入安裝件時務必確認它是否牢牢地固定在工具接頭上。如果安裝件未牢固地插在工具接頭中，可能在擰轉螺絲時鬆脫。

把插入工具 16 套在工具接頭 1 上。

由於系統設計的關係，安裝件 16 和工具接頭 1 之間會存在些微的游隙；這並不會影響機器的功能 / 安全性能。

## 操作

### 運作原理

工具接頭 1 和安裝在接頭上的工具，是靠著電子馬達帶動傳動裝置和敲擊體來驅動的。

整個運作過程可以劃分為兩個階段：

**旋轉** 和 **擰緊** (沖擊體投入運作)。

一當螺絲咬入工件中而且發動機開始受荷，沖擊體便投入運作。沖擊體把發動機的傳動力轉換為均勻的旋轉式敲擊動作。放鬆螺絲或螺母時，整個運作過程會反向進行。

### 操作機器

#### 安裝蓄電池

- ▶ 只能使用博世原廠的鋰離子蓄電池，電池的電壓必須和機器銘牌上提供的電壓一致。使用其它廠牌的蓄電池，可能導致意外傷害並造成火災。

把正逆轉開關 9 設定在中央的位置，以避免不小心開動電動工具。

把充好電的蓄電池 8 從前端推入電動工具的底座中，必須讓蓄電池確實卡牢。

#### 改變轉向 (參考插圖 D)

使用正逆轉開關 9 可以改變機器的轉向。如果按住了起停開關 10，則無法改變轉向。

**正轉：**適用於轉入螺絲和擰緊螺母時，把正逆轉開關 9 向左推到底。

**逆轉：**適用於放鬆 / 轉出螺絲和螺母，把正逆轉開關 9 向右推到底。

## 20 | 中文

**開動 / 關閉**

**操作電動工具**時先按下電動工具的起停開關 **10**，並持續按著。

放開起停開關 **10** 便可以 **關閉** 電動工具。

**調整轉速**

你可以無級式調整轉速，把起停開關 **10** 按得越緊，轉速就越快。

輕按起停開關 **10** 機器以低轉速運轉。逐漸在開關上加壓，轉速也會跟著提高。

**設定轉速 / 沖擊次數（不適用於項目編號為 3 601 JEO OFO 與 3 601 JEO 1FO 的電動工具）**

按鍵 **6** 可預設所需轉速 / 衝擊次數，共分為 2 個檔速。請連續按壓按鍵 **6**，直到轉數顯示器 **5** 中出現所需設定的記號。工具機將自動記憶所選設定。

正確的轉速 / 衝擊次數必須視加工物料和工作狀況而定，唯有實際操作才能夠得到最合適的結果。

**開啟 / 關閉 "PowerLight" 燈按鍵（不適用於項目編號為 3 601 JEO OFO 與 3 601 JEO 1FO 的電動工具）**

若要**啟用**此燈 **3** 功能，請按壓按鍵 **4**。若要將此燈 **3** 的功能**關閉**，再次按壓按鍵 **4** 即可。

**蓄電池的充電電量指示燈**

當您半按住起停開關，或完全按下起停開關 **10** 數秒鐘之後，蓄電池的充電電量指示燈 **11** 便會顯示蓄電池的現有電量，而電量的多寡則透過 3 個綠燈來顯示。

LED	容量
3 個綠燈持續亮著	≥ 2/3
2 個綠燈持續亮著	≥ 1/3
1 個綠燈持續亮著	< 1/3
1 個綠燈閃爍	備用電量

**溫控的過載保護裝置**

只要按照規定使用，電動工具就不可能過載。萬一負載過重或充電電池的溫度已超出允許範圍 0 - 70 ° C，

**最大螺絲拉緊扭力的參考值**

所提供的數據的單位是牛頓米，數據是由切削截面積運算所得；屈服點的利用為百分之 90 %（在摩擦係數  $\mu_{時} = 0,12$ ）。隨時以扭力測量儀檢查拉緊扭力。

強度等級根據 DIN 267	標準螺絲								高強度螺絲			
	3.6	4.6	5.6	4.8	6.6	5.8	6.8	6.9	8.8	10.9	12.9	
M 6	2.71	3.61	4.52	4.8	5.42	6.02	7.22	8.13	9.7	13.6	16.2	
M 8	6.57	8.7	11	11.6	13.1	14.6	17.5	19.7	23	33	39	
M 10	13	17.5	22	23	26	29	35	39	47	65	78	
M 12	22.6	30	37.6	40	45	50	60	67	80	113	135	
M 14	36	48	60	65	72	79	95	107	130	180	215	
M 16	55	73	92	98	110	122	147	165	196	275	330	

**建議**

把大的、長的螺絲擰入堅硬的物料中之前，必須根據

電動工具的輸出功率就會調降或是直接停機。待充電電池的溫度降回至允許範圍，電動工具才會恢復為全功率輸出。

**有關操作方式的指點**

▶ **先關閉電動工具，然后再把工具放置在螺母 / 螺絲上。** 安裝在接頭上的工具如果仍繼續轉動，容易從螺絲頭上滑開。

扭力大小和沖擊時間長短有關。最大扭力是所有經由沖擊所產生的單一扭力的總和。在沖擊約 6 - 10 秒之後扭力可以達到最大。超過這段時間，拉緊扭力只輕微增加。

必須測量每個拉緊扭力的持續沖擊時間。隨時以扭力測量儀，檢查測得的拉緊扭力。

**硬墊擰轉，彈簧墊擰轉或軟墊擰轉**

如果把單一沖擊過程中測得的各個扭力記載在線圖上，可以得到扭力變化的曲線。曲線的最高點是最大扭力。上升的線段則代表到達最大扭力所須的時間。

扭力曲線的演變會受以下因素影響：

- 螺絲 / 螺母的強度
- 墊片的種類（螺片，冠狀彈簧，密封片）
- 即將被擰入螺絲的物料的強度
- 螺絲是否塗抹了潤滑油

綜合以上因素，大概可以歸類出下列的工作狀況：

- **硬墊擰轉**，是指在使用墊片的前提下把金屬螺絲擰入金屬物料中。經過短暫的沖擊之後便可以達到最大扭力（比較陡的上升曲線）。不必要的延長沖擊時間只會損壞機器。
- **彈簧墊擰轉**，是指在使用了彈簧圈、冠狀彈簧、螺柱、帶圓錐座的螺絲 / 螺母以及延長零件等的情況下把金屬螺絲擰入金屬物料中。
- **軟墊擰轉**，以下幾個例子都屬於軟墊擰轉：把金屬螺絲擰入木材中，或者擰緊螺絲時使用了鉛墊片、纖維墊片。

彈簧墊擰轉和軟墊擰轉的最大扭力小於硬墊擰轉的最大扭力。而且前者需要的沖擊時間卻明顯超越後者。

螺紋的中心直徑打預鑽孔，預鑽孔的深度大概為螺絲長度的  $\frac{2}{3}$ 。

**指示：** 請留意，勿讓小的金屬物品掉入電動工具中。

#### 腰帶夾 (參考插圖 E)

使用腰帶夾 17 可以把電動工具掛在腰帶上。不但能夠空出雙手而且電動工具也隨手可即。

#### 固定支架 (參考插圖 F)

使用固定支架 18 可以把電動工具掛在例如扣環上。不但能夠空出雙手而且電動工具也隨手可即。

#### 彩色夾 (參考插圖 G)

彩色夾 19 可協助您辨識個別電動工具。

#### 如何正確地使用蓄電池

保護蓄電池，避免濕氣和水分滲入。

蓄電池必須儲存在攝氏 0 到 50 度的環境中。夏天不可以把蓄電池擱置在汽車中。

不定時地使用柔軟，清潔而且乾燥的毛刷清潔蓄電池的通氣孔。

充電後如果蓄電池的使用時間明顯縮短，代表蓄電池已經損壞，必須更換新的蓄電池。

請注意有關作廢處理的規定。

## 維修和服務

### 維修和清潔

- ▶ 在電動工具上進行任何維護的工作（例如維修，更換工具等等），以及搬運、保存電動工具之前都必須從機器中取出蓄電池。不小心開動了起停開關可能造成傷害。
- ▶ 電動工具和通風間隙都必須保持清潔，這樣才能夠提高工作品質和安全性。

### 顧客服務處和顧客諮詢中心

本公司顧客服務處負責回答有關本公司產品的修理、維護和備件的問題。以下的網頁中有爆炸圖和備件的資料：

[www.bosch-pt.com](http://www.bosch-pt.com)

博世顧客諮詢團隊非常樂意為您解答有關本公司產品及附件的問題。

詢問和訂購備件時，務必提供機器銘牌上標示的 10 位數物品代碼。

#### 台灣

台灣羅伯特博世股份有限公司

建國北路一段 90 號 6 樓

台北市 10491

電話：(02) 2515 5388

傳真：(02) 2516 1176

[www.bosch-pt.com.tw](http://www.bosch-pt.com.tw)

#### 制造商地址：

Robert Bosch Power Tools GmbH  
羅伯特·博世電動工具有限公司  
70538 Stuttgart / GERMANY  
70538 斯圖加特 / 德國

#### 搬運


隨著機器一起供貨的鋰離子蓄電池必須受危險物品法規範。使用者無須另外使用保護包裝便可以運送該蓄電池。

但是如果將它交由第三者運送（例如：寄空運或委託運輸公司）則要使用特殊的包裝和標示。此時必須向危險物品專家請教有關寄送危險物品的相關事宜。

確定蓄電池的外殼未受損後，才可以寄送蓄電池。粘好未加蓋的觸點並包裝好蓄電池，不可以讓蓄電池在包裝中晃動。

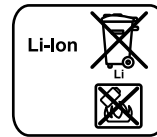
必要時也得注意各國有關的法規。

#### 處理廢棄物

 必須以符合環保的方式，回收再利用損壞的電動工具，蓄電池，附件和廢棄的包裝材料。

不可以把電動工具和蓄電池 / 電池丟入一般的家庭垃圾中！

#### 蓄電池 / 一般電池：



#### 鋰離子：

請注意 "搬運" 段落中的指示，頁 21。

保留修改權。

## 한국어

### 안전 수칙

#### 전동공구용 일반 안전수칙

**경고** 모든 안전수칙과 지시 사항을 상세히 읽고 지켜야 합니다. 다음의 안전수칙과 지시 사항을 준수하지 않으면 화재 위험이 있으며 감전 혹은 중상을 입을 수 있습니다.

앞으로의 참고를 위해 이 안전수칙과 사용 설명서를 잘 보관하십시오.

다음에서 사용되는 "전동공구" 라는 개념은 전원에 연결하여 사용하는 전동 기기 (전선이 있는) 나 배터리를 사용하는 전동 기기 (전선이 없는) 를 의미합니다.

## 22 | 한국어

**작업장 안전**

- ▶ **작업장을 항상 깨끗이 하고 조명을 밝게 하십시오.** 작업장 환경이 어수선하거나 어두우면 사고를 초래할 수 있습니다.
- ▶ **가연성 유체, 가스 또는 분진이 있어 폭발 위험이 있는 환경에서 전동공구를 사용하지 마십시오.** 전동공구는 분진이나 증기에 점화하는 스파크를 일으킬 수 있습니다.
- ▶ **전동공구를 사용할 때 구경꾼이나 어린이 혹은 다른 사람이 작업장에 접근하지 못하게 하십시오.** 다른 사람이 주의를 산만하게 하면 기기에 대한 통제를 잃기 쉽습니다.

**전기에 관한 안전**

- ▶ **전동공구의 전원 플러그가 전원 콘센트에 잘 맞아야 합니다.** 플러그를 조금이라도 변경시켜서는 안됩니다. 접지된 전동공구를 사용할 때 어댑터 플러그를 사용하지 마십시오. 변형되지 않은 플러그와 잘 맞는 콘센트를 사용하면 감전의 위험을 감소할 수 있습니다.
- ▶ **파이프 관, 라디에이터, 레인지, 냉장고와 같은 접지 표면에 물이 닿지 않도록 하십시오.** 물에 닿을 경우 감전될 위험이 높습니다.
- ▶ **전동공구를 비에 맞지 않게 하고 습기 있는 곳에 두지 마십시오.** 전동공구에 물이 들어가면 감전될 위험이 높습니다.
- ▶ **전원 코드를 잡고 전동공구를 운반하거나 걸어 놓아서 안되며, 콘센트에서 전원 플러그를 뽑을 때 전원 코드를 잡아 당겨서는 절대로 안됩니다.** 전원 코드가 열과 오일에 접촉하는 것을 피하고, 날카로운 모서리나 기기의 가동 부위에 닿지 않도록 주의하십시오. 손상되거나 엉킨 전원 코드는 감전을 유발할 수 있습니다.
- ▶ **실외에서 전동공구로 작업할 때는 실외용으로 적당한 연장 전원 코드만을 사용하십시오.** 실외용 연장 전원 코드를 사용하면 감전의 위험을 줄일 수 있습니다.
- ▶ **전동공구를 습기 찬 곳에서 사용해야 할 경우에는 누전 차단기를 사용하십시오.** 누전 차단기를 사용하면 감전 위험을 줄일 수 있습니다.

**사용자 안전**

- ▶ **신중하게 작업하십시오.** 작업을 할 때 주의를 하며, 전동공구를 사용할 때 경솔하게 행동하지 마십시오. 피로한 상태이거나 약을 복용 및 음주한 후에는 전동공구를 사용하지 마십시오. 전동공구를 사용할 때 잠시라도 주의를 산만해지면 중상을 입을 수 있습니다.
- ▶ **작업자 안전을 위한 장치를 사용하십시오.** 항상 보안경을 착용하십시오. 전동공구의 종류와 사용에 따라 먼지 보호 마스크, 미끄러지지 않는 안전한 신발, 안전모 또는 귀마개 등의 안전한 복장을 하면 상해의 위험을 줄일 수 있습니다.

- ▶ **실수로 기기가 작동되지 않도록 주의하십시오.** 전동공구를 전원에 연결하거나 배터리를 끼우기 전에, 혹은 기기를 들거나 운반하기 전에, 전원 스위치가 꺼져 있는지 다시 확인하십시오. 전동공구를 운반할 때 전원 스위치에 손가락을 대거나 전원 스위치가 켜진 상태에서 전원을 연결하면 사고 위험이 높습니다.
- ▶ **전동공구를 사용하기 전에 조절하는 톨이나 나사 키 등을 빼 놓으십시오.** 회전하는 부위에 있는 톨이나 나사 키로 인해 상처를 입을 수 있습니다.
- ▶ **자신을 과신하지 마십시오.** 불안정한 자세를 피하고 항상 평형을 이룬 상태로 작업하십시오. 안정된 자세와 평형한 상태로 작업해야만이 의외의 상황에서 전동공구를 안전하게 사용할 수 있습니다.
- ▶ **알맞은 작업복을 입으십시오.** 헐렁한 복장을 하거나 장신구를 착용하지 마십시오. 머리카락 또는 장갑이 가동하는 기기 부위에 가까이 닿지 않도록 주의하십시오. 헐렁한 복장, 장신구 혹은 긴 머리는 가동 부위에 말려 사고를 초래할 수 있습니다.
- ▶ **분진 추출장치나 수거장치의 조립이 가능한 경우, 이 장치가 연결되어 있는지, 제대로 작동이 되는지 확인하십시오.** 이러한 분진 추출장치를 사용하면 분진으로 인한 사고 위험을 줄일 수 있습니다.

**전동공구의 올바른 사용과 취급**

- ▶ **기기를 과부하 상태에서 사용하지 마십시오.** 작업할 때 이에 적당한 전동공구를 사용하십시오. 알맞은 전동공구를 사용하면 지정된 성능 한도 내에서 더 효율적으로 안전하게 작업할 수 있습니다.
- ▶ **전원 스위치가 고장 난 전동공구를 사용하지 마십시오.** 전원 스위치가 작동되지 않는 전동공구는 위험하므로, 반드시 수리를 해야 합니다.
- ▶ **기기에 세팅을 하거나 액세서리 부품을 교환하거나 혹은 기기를 보관할 때, 항상 전원 콘센트에서 플러그를 미리 빼어 놓으십시오.** 이러한 조치는 실수로 전동공구가 작동하게 되는 것을 예방합니다.
- ▶ **사용하지 않는 전동공구는 어린이 손이 닿지 않는 곳에 보관하고, 전동공구 사용에 익숙지 않거나 이 사용 설명서를 읽지 않은 사람은 기기를 사용해서는 안 됩니다.** 경험이 없는 사람이 전동공구를 사용하면 위험합니다.
- ▶ **전동공구를 조심스럽게 관리하십시오.** 가동 부위가 하자 없이 정상적인 기능을 하는지, 걸리는 부위가 있는지, 혹은 전동공구의 기능에 중요한 부품이 손상되지 않았는지 확인하십시오. 손상된 기기의 부품은 전동공구를 다시 사용하기 전에 반드시 수리를 맡기십시오. 제대로 관리하지 않은 전동공구의 경우 많은 사고를 유발합니다.
- ▶ **절단 공구를 날카롭고 깨끗하게 관리하십시오.** 날카로운 절단면이 있고 잘 관리된 절단공구는 걸리는 경우가 드물고 조절하기도 쉽습니다.
- ▶ **전동공구, 액세서리, 장착하는 공구 등을 사용할 때, 이 지시 사항과 특별히 기종 별로 나와있는 사용 방법을 준수하십시오.** 이때 작업 조건과 실시하려는 작업 내용을 고려하십시오. 원래 사용 분야가 아닌

다른 작업에 전동공구를 사용할 경우 위험한 상황을 초래할 수 있습니다.

**충전 전동공구의 올바른 사용과 취급**

- ▶ 배터리를 충전할 때 제조 회사가 추천하는 충전기만을 사용하여 재충전해야 합니다. 특정 제품의 배터리를 위하여 제조된 충전기에 적합하지 않은 다른 배터리를 충전할 경우 화재 위험이 있습니다.
- ▶ 각 전동공구용으로 나와있는 배터리만을 사용하십시오. 다른 종류의 배터리를 사용하면 상해를 입거나 화재를 초래할 수 있습니다.
- ▶ 배터리를 사용하지 않을 때는, 각 극 사이에 브리징 상태가 생길 수 있으므로 페이퍼 클립, 동전, 열쇠, 못, 나사 등 유사한 금속성 물체와 멀리하여 보관하십시오. 배터리 극 사이에 쇼트가 일어나 화상을 입거나 화재를 야기할 수 있습니다.
- ▶ 배터리를 잘못 사용하면 누수가 생길 수 있습니다. 누수가 생긴 배터리에 닿지 않도록 하십시오. 피부에 접하게 되었을 경우 즉시 물로 씻으십시오. 유체가 눈에 닿았을 경우 바로 의사와 상담하십시오. 배터리에서 나오는 유체는 피부에 자극을 주거나 화상을 입힐 수 있습니다.

**서비스**

- ▶ 전동공구 수리는 반드시 전문 인력에게 맡기고, 수리 정비 시 보쉬 순정 부품만을 사용하십시오. 그렇게 함으로써 기기의 안전성을 오래 유지할 수 있습니다.

**임팩트 렌치용 안전수칙**

- ▶ 작업할 때 나사못으로 보이지 않는 전선에 닿을 위험이 있으면 전동공구의 절연된 손잡이 면을 잡으십시오. 나사못이 전류가 흐르는 전선에 접하게 되면 기기의 금속 부위에 전기가 통해 감전될 위험이 있습니다.
- ▶ 작업물을 잘 고정하십시오. 고정장치나 기계 바이스에 끼워서 작업하면 손으로 잡는 것보다 더 안전합니다.
- ▶ 전동공구를 내려놓기 전에 기기가 완전히 멈추었는지를 확인하십시오. 벨트가 걸려 전동공구에 대한 통제가 어려워질 수 있습니다.
- ▶ 배터리를 분해하지 마십시오. 단락이 발생할 위험이 있습니다.



배터리를 태양 광선 등 고열에 장시간 노출되지 않도록 하고 불과 물, 수분이 있는 곳에 두지 마십시오. 폭발할 위험이 있습니다.

- ▶ 배터리가 손상되었거나 잘못 사용될 경우 증기가 발생할 수 있습니다. 작업장을 환기시키고, 필요한 경우 의사와 상담하십시오. 증기로 인해 호흡기가 자극될 수 있습니다.
- ▶ 귀하의 보쉬 제품용으로 나와있는 배터리만 사용하십시오. 그래야만 배터리가 위험하게 과부하되는 것을 방지할 수 있습니다.

- ▶ 못이나 스크류 드라이버 같은 뾰족한 물체 또는 외부에서 오는 충격 등으로 인해 배터리가 손상될 수 있습니다. 내부 단락이 발생하여 배터리가 타거나 연기가 발생하고, 폭발 또는 과열될 수 있습니다.

**제품 및 성능 소개**



모든 안전수칙과 지시 사항을 상세히 읽고 지켜야 합니다. 다음의 안전수칙과 지시 사항을 준수하지 않으면 화재 위험이 있으며 감전 혹은 중상을 입을 수 있습니다.

**규정에 따른 사용**

본 전동공구는 각각 정해진 치수 범위 내에서 나사못을 끼우거나 푸는 작업 그리고 너트를 조이거나 푸는 작업을 하는 데 사용해야 합니다.

전동공구의 라이트는 직접 공구 작업 범위를 조명하는 데에 최적화되어 있으며, 가정 공간 조명에는 적합하지 않습니다.

**제품의 주요 명칭**

제품의 주요 명칭에 표기되어 있는 번호는 기기 그림이 나와있는 면을 참고하십시오.

- 1 톨 홀더
- 2 잠금 슬라이브
- 3 "PowerLight" 램프
- 4 "PowerLight" 램프 버튼\*\*
- 5 회전 속도 표시 램프\*\*
- 6 회전 속도 선택 버튼\*\*
- 7 배터리 해제 버튼
- 8 배터리
- 9 회전방향 선택 스위치
- 10 전원 스위치
- 11 배터리 충전 상태 표시기
- 12 손잡이 (절연된 손잡이 부위)
- 13 양날 비트\*
- 14 유니버설 비트 홀더\*
- 15 스크류 드라이버 비트\*
- 16 장착 액세서리 (임팩트 소켓 등)\*
- 17 벨트 고정클립\*
- 18 홀더\*
- 19 컬러 클립\*

\*도면이나 설명서에 나와있는 액세서리는 표준 공급부품에 속하지 않습니다. 전체 액세서리는 저회 액세서리 프로그램을 참고하십시오.

\*\* 부품 번호가 3 601 JE0 0F0 및 3 601 JE0 1F0 인 전동공구 제외

24 | 한국어

제품 사양

충전 임팩트 드라이버		GDR 10,8 V-EC	GDR 10,8 V-EC	GDS 10,8 V-EC	GDS 10,8 V-EC
제품 번호		3 601 JE0 0..	3 601 JE0 0F0	3 601 JE0 1..	3 601 JE0 1F0
정격 전압	V=	10.8	10.8	10.8	10.8
무부하 속도	rpm	-	0-2600	-	0-2600
무부하 속도					
- 설정 1	rpm	0-1200	-	0-1200	-
- 설정 2	rpm	0-2600	-	0-2600	-
타격률	min <sup>-1</sup>	-	0-3100	-	0-3100
타격률					
- 설정 1	min <sup>-1</sup>	0-2700	-	0-2700	-
- 설정 2	min <sup>-1</sup>	0-3100	-	0-3100	-
ISO 5393 에 따른 경질 스크류작업 시 최대 토크	Nm	110	110	115	115
볼트 크기 - Ø	mm	M4 - M12	M4 - M12	M4 - M12	M4 - M12
나사못 직경, 최대	mm	8	8	8	8
툴 홀더		6.35 mm 육각 소켓	6.35 mm 육각 소켓	■ 3/8"	■ 3/8"
EPTA 공정 01:2014 에 따른 중량	kg	0.92 - 1.1	0.92 - 1.1	0.91 - 1.1	0.91 - 1.1

배터리

허용되는 주변 온도		
- 충전 시	°C	0...+45
- 작동 시 *	°C	- 20...+50
- 보관 시	°C	- 20...+60
권장 배터리		GBA 10,8V x,xAh O - .

\* 온도가 0 °C 보다 낮은 경우 성능 제한 있음

조립

배터리 탈착하기 (그림 A 참조)

▶ 액세서리 목록에 기재되어 있는 충전기만을 사용하십시오. 이 충전기만이 귀하의 전동공구에 사용된 리튬이온 배터리에 맞게 되어 있습니다.

**참고:** 배터리는 일부 충전되어 공급됩니다. 배터리의 성능을 완전하게 보장하기 위해서는 처음 사용하기 전에 배터리를 완전히 충전기에 충전하십시오.

리튬이온 배터리는 항상 충전할 수 있으며, 이로 인해 수명이 단축되지 않습니다. 충전을 하다 중간에 중지해도 배터리가 손상되지 않습니다.

리튬이온 배터리는 "전자 셀 보호 (ECP)" 기능이 있어 과도한 방전이 되지 않습니다. 배터리가 방전되면 안전 스위치가 작동하여 전동공구가 꺼지고 비트가 더 이상 움직이지 않습니다.

▶ 전동공구가 자동으로 작동이 중단된 경우 전원 스위치를 더 계속 누르지 마십시오. 이로 인해 배터리가 손상될 수 있습니다.

배터리 8을 빼려면 해제 버튼 7을 누른 상태로 배터리를 전동공구 아래쪽으로 잡아 당깁니다. 이때 무리하게 힘을 가하지 마십시오.

처리에 관련된 지시 사항을 준수하십시오.

액세서리의 교환

▶ 전동공구에 각종 작업 (보수 정비 및 액세서리 교환 등) 을 하거나 전동공구를 운반하거나 보관할 경우 배터리를 전동공구에서 빼십시오. 실수로 전원 스위치가 작동하게 되면 상해를 입을 위험이 있습니다.

▶ 전동공구의 통공구를 정기적으로 깨끗이 닦으십시오. 모터 팬이 하우징 안으로 분진을 끌어 들이며, 금속 분진이 많이 쌓이면 전기적인 위험을 야기할 수 있습니다.

GDR 10,8 V- EC:

비트 장착하기 (그림 B 참조)

잠금 슬리브 2를 앞으로 당기고 비트를 툴 홀더 1안으로 끝까지 밀어 넣습니다. 비트를 고정하려면 잠금 슬리브 2를 다시 놓으면 됩니다.

스크류 비트 15를 볼 로크 방식의 유니버설 비트 홀더 14를 통해 끼울 수 있습니다.

비트 탈착하기

잠금 슬리브 2를 앞으로 당긴 다음에 드릴 비트를 빼냅니다.

GDS 10,8 V- EC: (그림 C 참조)

▶ 삽입공구를 끼울 때 툴 홀더에 확실히 끼워졌는지 확인하십시오. 삽입공구가 툴 홀더에 제대로 연결되어 있지 않으면 스크류작업 시 빠질 수 있습니다.



사각형의 툴 홀더 1에 비트 16을 밀어 넣습니다.  
시스템상 삽입공구 16가 툴 홀더 1에 느슨하게 장착  
됩니다; 그러나 이는 기능이나 안전에 아무런 영향을 주  
지 않습니다.

## 작동

### 작동 방법

비트가 끼워진 툴 홀더 1은 기어와 충격 메커니즘을 통  
한 전동기에 의해 작동됩니다.

작업 과정은 두 단계로 나뉘어집니다:

**스크류작업과 고정 작업** (임팩트 장치 작동).

충격 장치는 나사못과 연결이 되어 모터에 부하가 걸리  
게 되면 작동하기 시작합니다. 이때 충격 메커니즘은  
모터의 힘을 균일한 회전 임팩트로 변환시킵니다. 나사  
못이나 너트를 풀 경우 이 과정이 반대로 진행됩니다.

### 기계 시동

#### 배터리 장착하기

▶ 반드시 귀하의 전동공구 타입 표시판에 나와 있는 전  
압의 보워 순정 리튬이온 배터리만을 사용하십시오.  
다른 배터리를 사용하면 상해를 입거나 화재가 발생  
할 위험이 있습니다.

전동공구가 실수로 켜지는 것을 방지하기 위해 회전방  
향 선택 스위치 9를 가운데 위치로 두십시오.

충전된 배터리 8을 앞에서 부터 전동공구의 베이스 쪽  
으로 완전히 잠길 때까지 밀어 넣습니다.

#### 회전방향 설정하기 (그림 D 참조)

회전방향 선택 스위치 9로 기기의 회전 방향을 선택할  
수 있습니다. 그러나 전원 스위치 10이 눌러진 상태에  
서는 작동이 불가능합니다.

**정회전:** 나사못을 끼우거나 너트를 조이는 작업을 하  
려면 회전방향 선택 스위치 9를 왼쪽으로 끝까지 미니  
다.

**역회전:** 나사못이나 너트를 느슨하게 하거나 푸는 작  
업을 하려면, 회전방향 선택 스위치 9를 오른쪽 끝까  
지 미니다.

#### 전원 스위치 작동

전동공구를 작동하려면 전원 스위치 10을 누르고 누른  
상태를 유지하십시오.

전동공구의 스위치를 끄려면 전원 스위치 10을 놓으면  
됩니다.

#### 속도 조절

작동하고 있는 전동공구의 속도를 연속적으로 조절할  
수 있는데, 전원 스위치 10을 어느 정도 세게 누르는  
가에 달려 있습니다.

전원 스위치 10을 살짝 누르면 저속으로 작동합니다.  
세게 누르면 속도가 빨라집니다.

#### 속도 / 타격을 설정하기 (부품 번호가

#### 3 601 JE0 0F0 및 3 601 JE0 1F0 인 전동공구 제외)

버튼 6을 눌러 요구되는 회전수 / 타격수를 미리 2 단  
계로 선택할 수 있습니다. 회전속도 표시램프 5에 원  
하는 설정이 표시될 때까지 버튼 6을 여러 번 누르십  
시오. 선택한 설정이 저장됩니다.

필요한 속도 / 타격률은 소재와 작업 조건에 따라 달라  
지므로 실제 시험을 통해 결정할 수 있습니다.

#### “PowerLight” 램프 켜기 / 끄기 (부품 번호가 3 601 JE0 0F0 및 3 601 JE0 1F0 인 전동공구 제외)

램프 3을 작동시키려면 버튼 4를 누르십시오. 램프 3  
을 끄려면 다시 버튼 4를 누르십시오.

#### 배터리 충전 상태 표시기

배터리 충전 상태 표시기 11은 전원 스위치 10을 중  
간 정도 혹은 완전히 누르면 배터리의 충전 상태를 몇  
초 동안 나타내며 이는 3 개의 녹색 LED로 되어 있습  
니다.

LED	용량
연속등 3 x 녹색	≥ 2/3
연속등 2 x 녹색	≥ 1/3
연속등 1 x 녹색	< 1/3
점멸등 1 x 녹색	예비

#### 온도에 따른 과부하 방지 기능

규정에 맞춰 사용할 경우 전동공구는 과부하되지 않습  
니다. 과도하게 부하가 가해지거나 허용되는 배터리 온  
도 범위 0-70 °C 을 넘어가면 출력 성능이 떨어지거  
나 전동공구가 꺼집니다. 전동공구는 허용되는 배터리  
온도에 다시 도달하면 완벽한 출력 성능으로 다시 작동  
됩니다.

#### 사용방법

▶ 전동공구의 스위치가 꺼진 상태에서만 나사못에 대  
십시오. 회전하는 드릴 비트가 미끄러질 수 있습니  
다.

토크는 임팩트 시간에 따라 좌우됩니다. 도달한 최대  
토크는 임팩트에 의해 나타난 각 토크에서 나온 결과입  
니다. 일반적으로 6-10 초 간의 임팩트 시간 후에 최  
대 토크에 달하게 됩니다. 이 시간이 지나면 고정 토크  
는 최소로 증가합니다.

임팩트 시간은 매 필요한 고정 토크에 따라 계산해야  
합니다. 실제 정해진 고정 토크는 항상 토크 렌치로 확  
인해야 합니다.

#### 경질, 스프링 혹은 연질 시트의 스크류작업

일련의 임팩트에 의해 나타난 토크를 측정하여 그래프  
로 표시하면 토크 커브 곡선이 생깁니다. 곡선의 높이는  
달성할 수 있는 최대 토크이며, 경사 부위는 최대  
토크에 달하는 시간을 나타냅니다.

토크의 기울기는 다음의 요소에 따라 달라집니다:

- 나사못 / 너트의 강도

**26 | 한국어**

- 받침대의 종류 (와셔, 판 스프링, 실)
- 고정하려는 작업물의 강도
- 스크류 / 볼트 연결 부위의 윤활 상태

이에 따라 기기를 다음과 같이 사용할 수 있습니다:

- **경질 시트**는 와셔를 사용하여 금속과 금속에 나사못 연결을 할 경우입니다. 이때 비교적 짧은 임팩트 시간 내에 최대 토크에 도달할 수 있습니다 (금경사 특성 곡선). 불필요하게 장시간 작업하는 것은 기기에 손상을 줄 뿐입니다.

- **스프링 시트**는 금속과 금속에 나사못 연결을 하는 경우로, 단지 스프링 와셔, 판 스프링, 원뿔형 스티드와 볼트/너트 혹은 연장 부품을 사용할 때입니다.
- **연질 시트**는 예를 들면 금속을 목재에 나사못 연결을 하는 경우나 혹은 납이나 섬유로 된 와셔를 기본 받침대로 사용하는 경우입니다.

스프링 시트나 연질 시트의 경우 최대 고정 토크는 경질 시트 경우 보다 낮습니다. 또한 임팩트 시간도 훨씬 오래 걸립니다.

**최대 볼트 고정 토크 권장치**

자료의 단위는 Nm 으로 응력 단면도에서 산출한 것임; 탄성 한계의 사용치 90% (마찰 계수  $\mu_{\text{전체}} = 0.12$ ). 점검하기 위해 항상 고정 토크를 토크 렌치를 사용하여 확인해야 합니다.

DIN 267 에 따른 강도 등 일반 볼트	고강도 볼트										
	3.6	4.6	5.6	4.8	6.6	5.8	6.8	6.9	8.8	10.9	12.9
M 6	2.71	3.61	4.52	4.8	5.42	6.02	7.22	8.13	9.7	13.6	16.2
M 8	6.57	8.7	11	11.6	13.1	14.6	17.5	19.7	23	33	39
M 10	13	17.5	22	23	26	29	35	39	47	65	78
M 12	22.6	30	37.6	40	45	50	60	67	80	113	135
M 14	36	48	60	65	72	79	95	107	130	180	215
M 16	55	73	92	98	110	122	147	165	196	275	330

**참고**

경질 작업 소재에 크고 긴 나사못을 끼우기 전에, 나사산의 중심 직경으로 나사못 길이의 약  $2/3$  에 해당하는 초기 드릴작업을 하는 게 좋습니다.

**주의:** 전동공구 안으로 아무런 금속성 부스러기가 들어가지 않도록 주의하십시오.

**벨트 고정클립 (그림 E 참조)**

벨트 고정클립 17로 이 전동공구를 벨트에 매달아 놓을 수 있습니다. 그러면 두 손을 자유로이 사용할 수 있으며 어느 때나 이 전동공구를 사용할 수 있습니다.

**홀더 (그림 F 참조)**

홀더 18을 이용하여 전동공구를 카라비너 고리 등에 걸 수 있습니다. 그러면 두 손을 자유로이 사용할 수 있으며 어느 때나 이 전동공구를 사용할 수 있습니다.

**컬러 클립 (그림 G 참조)**

컬러 클립 19를 이용하여 전동공구에 개별적인 표시를 할 수 있습니다.

**올바른 배터리의 취급 방법**

배터리를 습기나 물이 있는 곳에 두지 마십시오.

배터리를 0°C에서 50°C 온도 범위에서만 저장하십시오. 예를 들면 배터리를 여름에 자동차 안에 두지 마십시오.

가끔 배터리의 통풍구를 부드럽고 깨끗한 마른 솔로 청소하십시오.

충전 후 작동 시간이 현저하게 짧아지면 배터리의 수명이 다한 것이므로 배터리를 교환해야 합니다.

처리에 관련된 지시 사항을 준수하십시오.

**보수 정비 및 서비스**

**보수 정비 및 유지**

▶ 전동공구에 각종 작업 (보수 정비 및 액세서리 교환 등)을 하거나 전동공구를 운반하거나 보관할 경우 배터리를 전동공구에서 빼십시오. 실수로 전원 스위치가 작동하게 되면 상해를 입을 위험이 있습니다.

▶ 안전하고 올바른 작동을 위하여 전동공구와 전동공구의 통풍구를 항상 깨끗이 하십시오.

**보쉬 AS 및 고객 상담**

보쉬는 귀하의 제품 및 수리에 관한 문의를 받고 있습니다.

AS 센터 정보 및 제품에 대한 고객 상담은 하기 고객 콜센터 및 이메일 상담을 이용해주시기 바랍니다.

**고객 콜센터 : 080-955-0909**

**이메일 상담 :**

**Bosch-pt.hotline@kr.bosch.com**

문의 사항이 있거나 스페어 부품을 주문할 때 반드시 전동공구의 타입 표시판에 적힌 10 자리의 제품 번호를 알려 주십시오.

**한국로버트보쉬 (주)**

경기도 용인시 기흥구 보정동 298 번지

**www.bosch-pt.co.kr**

**운반**

포함되어 있는 리튬이온 배터리는 위험물 관련 규정을 따라야 합니다. 사용자가 별도의 요구사항 없이 배터리를 직접 도로 상에서 운반할 수 있습니다.

제 3 장을 통해 운반할 경우 (항공 운송이나 운송 회사 등) 포장과 표기에 관한 특별한 요구 사항을 준수해야 합니다. 이 경우 발송 준비를 위해 위험물 전문가와 상담해야 합니다.

표면이 손상되지 않은 배터리만을 사용하십시오. 배터리의 접촉 단자면을 덮어 붙인 상태로 내부에서 움직이지 않도록 배터리를 포장하십시오.

또한 이와 관련한 국내 규정을 준수하십시오.

**처리**

전동공구, 배터리, 액세서리 및 포장은 친환경적인 방법으로 재활용할 수 있도록 분류하십시오.

전동공구와 충전용 배터리 / 배터리를 가정용 쓰레기로 처리하지 마십시오!

**충전용 배터리 / 배터리 :**

Li-Ion:

“운반” 내용에 나와 있는 주의 사항을 준수하십시오 ( 27 페이지).

위 사항은 사전 예고 없이 변경될 수도 있습니다.

**ภาษาไทย****กฎระเบียบเพื่อความปลอดภัย****คำเตือนทั่วไปเพื่อความปลอดภัยในการใช้เครื่องมือไฟฟ้า**

**⚠ คำเตือน** ต้องอ่านคำเตือนเพื่อความปลอดภัยและคำสั่งทั้งหมด การไม่ปฏิบัติตามคำเตือนและคำสั่งอาจเป็นสาเหตุให้ถูกไฟฟ้าดูด เกิดไฟไหม้ และ/หรือได้รับบาดเจ็บอย่างร้ายแรง

**เก็บรักษาคำเตือนและคำสั่งทั้งหมดสำหรับเปิดอ่านในภายหลัง**

คำว่า "เครื่องมือไฟฟ้า" ในคำเตือนหมายถึง เครื่องมือไฟฟ้าของท่านที่ทำงานด้วยพลังงานไฟฟ้าที่ต่อจากเต้าเสียบ (มีสายไฟฟ้า) และเครื่องมือไฟฟ้าที่ทำงานด้วยพลังงานไฟฟ้าจากแบตเตอรี่ (ไร้สาย)

**ความปลอดภัยในสถานที่ทำงาน**

▶ **รักษาสถานที่ทำงานให้สะอาดและมีไฟส่องสว่างดี** สถานที่ที่มีมืดหรือรกรุงรังนำมาซึ่งอุบัติเหตุ

▶ **อย่าใช้เครื่องมือไฟฟ้าในสภาพแวดล้อมที่เสี่ยงต่อการติดระเบิดได้ เช่น ในที่ที่มีของเหลว แก๊ส หรือฝุ่นที่ติดไฟได้** เมื่อใช้เครื่องมือไฟฟ้าจะเกิดประกายไฟซึ่งอาจจุดฝุ่นหรือไอให้ลุกเป็นไฟได้

▶ **ขณะใช้เครื่องมือไฟฟ้าทำงาน ต้องกั้นเด็กและผู้ยืนดูให้ออกห่าง** การหันเหความสนใจอาจทำให้ท่านขาดการควบคุมเครื่องได้

**ความปลอดภัยเกี่ยวกับไฟฟ้า**

▶ **ปลั๊กของเครื่องมือไฟฟ้าต้องมีขนาดพอดีกับเต้าเสียบ** อย่าคิดแปลงหรือแก้ไขตัวปลั๊กอย่างเด็ดขาด **อย่าต่อปลั๊กต่อใดๆ เข้ากับเครื่องมือไฟฟ้าที่มีสายดิน** ปลั๊กที่ไม่ตัดแปลงและเต้าเสียบที่เข้ากันช่วยลดความเสี่ยงจากการถูกไฟฟ้าดูด

▶ **หลีกเลี่ยงไม่ให้ร่างกายสัมผัสกับพื้นผิวของสิ่งของที่ต่อสายดินไว้ เช่น ท่อ เครื่องทำความร้อน เตา และตู้เย็น** จะเสี่ยงอันตรายจากการถูกไฟฟ้าดูดมากขึ้นหากกระแสไฟฟ้าวิ่งผ่านร่างกายของท่านลงดิน

▶ **อย่าวางเครื่องมือไฟฟ้าคาบสนหรือทิ้งไว้ในที่ชื้นและหากนำเข้าไปในเครื่องมือไฟฟ้า จะเพิ่มความเสี่ยงจากการถูกไฟฟ้าดูด**

▶ **อย่าใช้สายไฟอย่างผิดๆ** อย่าถือเครื่องมือไฟฟ้าที่สาย **อย่าใช้สายแฉวนเครื่อง หรือย่ำดึงสายไฟฟ้า** ที่ถอดปลั๊กออกจากเต้าเสียบ **กั้นสายไฟให้ออกห่างจากความร้อน น้ำมัน ขอบแหลมคม หรือส่วนของเครื่องที่กำลังเคลื่อนไหว** สายไฟฟ้าที่ชำรุดหรือพันกันยุ่งเพิ่มความเสี่ยงจากการถูกไฟฟ้าดูด

▶ **เมื่อใช้เครื่องมือไฟฟ้าทำงานกลางแจ้ง ให้ใช้สายไฟต่อที่ได้รับการรับรองให้ใช้ต่อในที่กลางแจ้งเท่านั้น** การใช้สายไฟต่อที่เหมาะสมสำหรับงานกลางแจ้งช่วยลดอันตรายจากการถูกไฟฟ้าดูด

▶ **หากไม่สามารถหลีกเลี่ยงการใช้เครื่องมือไฟฟ้าทำงานในสถานที่เปียกชื้นได้ ให้ใช้สวิตช์ตัดวงจรเมื่อเกิดการรั่วไหลของไฟฟ้าจากสายดิน** การใช้สวิตช์ตัดวงจรเมื่อเกิดการรั่วไหลของไฟฟ้าจากสายดินช่วยลดความเสี่ยงต่อการถูกไฟฟ้าดูด

**ความปลอดภัยของบุคคล**

▶ **ท่านต้องอยู่ในสภาพเตรียมพร้อม ระมัดระวังในสิ่งที่กำลังทำอยู่ และมีสติขณะใช้เครื่องมือไฟฟ้าทำงาน** **อย่าใช้เครื่องมือไฟฟ้าขณะที่ท่านกำลังเหนื่อย หรืออยู่ภายใต้การครอบงำของฤทธิ์ของยาเสพติด แอลกอฮอล์ และยา** เมื่อใช้เครื่องมือไฟฟ้าทำงาน ในชั่วนาทีที่ท่านขาดความเอาใจใส่อาจทำให้บุคคลบาดเจ็บอย่างรุนแรงได้

▶ **ใช้อุปกรณ์ปกป้องร่างกาย สวมแว่นตาป้องกันเสมอ** อุปกรณ์ปกป้อง เช่น หน้ากากกันฝุ่น รองเท้ากันส้น หมวกแข็ง หรือประกะทุกันเสียงดัง ที่เลือกใช้ตามความเหมาะสมกับสภาพการทำงาน สามารถลดอันตรายต่อบุคคลได้

▶ **ป้องกันการติดเครื่องโดยไม่ตั้งใจ** **ต้องดูให้แน่ใจว่าสวิตช์อยู่ในตำแหน่งปิดก่อนเสียบปลั๊กไฟเข้าไปในเต้าเสียบ และ/หรือใส่แท่งแบตเตอรี่ ยุกขึ้นหรือถือเครื่องมือ** การถือเครื่องโดยใช้นิ้วหัวที่สวิตช์ หรือเสียบปลั๊กไฟขณะสวิตช์เปิดอยู่ อาจนำไปสู่อุบัติเหตุที่ร้ายแรงได้

## 28 | ภาษาไทย

- ▶ **เอาเครื่องมือปรับแต่งหรือประแจปากตายออกจากเครื่องมือไฟฟ้าก่อนเปิดสวิตช์** เครื่องมือหรือประแจปากตายที่วางอยู่กับส่วนของเครื่องมือที่กำลังหมุนจะทำให้บุคคลบาดเจ็บได้
- ▶ **หลีกเลี่ยงการตั้งท่าที่ผิดปกติ ตั้งที่ยืนที่มั่นคงและวางน้ำหนักให้สมดุลตลอดเวลา** ในลักษณะนี้ท่านสามารถควบคุมเครื่องมือไฟฟ้าในสถานการณ์ที่ไม่คาดคิดได้ดีกว่า
- ▶ **ใส่เสื้อผ้าที่เหมาะสม** อย่าใส่เสื้อผ้าหลวมหรือสวมเครื่องประดับ เอาหมวก เสื้อผ้า และถุงมือออกจากส่วนของเครื่องมือที่กำลังหมุน เสื้อผ้าหลวม เครื่องประดับ และผมยาวอาจเข้าไปติดในส่วนของเครื่องมือที่กำลังหมุนได้
- ▶ **หากต้องต่อเครื่องมือไฟฟ้าเข้ากับเครื่องดูดฝุ่นหรือเครื่องกึ่งผง** ดูให้แน่ใจว่าการเชื่อมต่อและการใช้งานเป็นไปอย่างถูกต้อง การใช้อุปกรณ์ดูดฝุ่นช่วยลดอันตรายที่เกิดจากฝุ่นได้

**การใช้และการดูแลรักษาเครื่องมือไฟฟ้า**

- ▶ **อย่าใช้เครื่องมือไฟฟ้าอย่างหักโหม ใช้เครื่องมือไฟฟ้าที่ถูกต้องตรงตามลักษณะงาน** เครื่องมือไฟฟ้าที่ถูกต้องจะทำงานได้ดีกว่าและปลอดภัยกว่าในระดับสมรรถภาพที่ออกแบบไว้
- ▶ **อย่าใช้เครื่องมือไฟฟ้าที่สวิตช์เปิดปิดเสีย** เครื่องมือไฟฟ้าที่ไม่สามารถควบคุมการเปิดปิดด้วยสวิตช์ได้ เป็นเครื่องมือไฟฟ้าที่ไม่ปลอดภัยและต้องส่งซ่อมแซม
- ▶ **ก่อนปรับแต่งเครื่อง เปลี่ยนอุปกรณ์ประกอบ หรือเก็บเครื่องเข้าที่ ต้องถอดปลั๊กไฟออกจากเต้าเสียบและ/หรือถอดแท่งแบตเตอรี่ออกจากเครื่องมือไฟฟ้า** มาตรการป้องกันเพื่อความปลอดภัยนี้ช่วยลดความเสี่ยงจากการติดเครื่องโดยไม่ตั้งใจ
- ▶ **เมื่อเลิกใช้งานเครื่องมือไฟฟ้า ให้เก็บเครื่องไว้ในที่ที่เด็กหยิบไม่ถึง และไม่อนุญาตให้บุคคลที่ไม่คุ้นเคยกับเครื่องหรือบุคคลที่ไม่ได้อ่านคำแนะนำนี้ใช้เครื่องมือไฟฟ้า** เป็นของอันตรายหากตกอยู่ในมือของผู้ใช้ที่ไม่ได้รับการฝึกฝน
- ▶ **เอาใจใส่ดูแลรักษาเครื่อง** ตรวจสอบส่วนที่เคลื่อนไหวได้ของเครื่องว่าวางอยู่ตรงแนวหรือติดขัดหรือไม่ ตรวจสอบการแตกหักของชิ้นส่วนและสภาพอื่นใดที่อาจมีผลต่อการทำงานของเครื่องมือไฟฟ้า หากชำรุดต้องส่งเครื่องมือไฟฟ้าซ่อมแซมก่อนใช้งาน อุบัติเหตุหลายอย่างเกิดขึ้นเนื่องจากดูแลรักษาเครื่องไม่ดีพอ
- ▶ **รักษาเครื่องมือตัดให้คมและสะอาด** หากบำรุงรักษาเครื่องมือที่มีขอบตัดแหลมคมอย่างถูกต้อง จะสามารถตัดได้ลื่นไม่ติดขัดและความคมได้ง่ายกว่า
- ▶ **ใช้เครื่องมือไฟฟ้า อุปกรณ์ประกอบ เครื่องมือ และอุปกรณ์อื่นๆ ให้ตรงตามคำแนะนำนี้** และในลักษณะตามที่เครื่องมือไฟฟ้าประเภทนั้นๆ กำหนดไว้ โดยต้องคำนึงถึงเงื่อนไขการทำงานและงานที่จะทำด้วย การใช้เครื่องมือไฟฟ้าทำงานที่ต่างไปจากวัตถุประสงค์การใช้งานของเครื่อง อาจนำไปสู่สถานการณ์ที่เป็นอันตรายได้

**การใช้และการดูแลรักษาเครื่องที่ใช้แบตเตอรี่**

- ▶ **ชาร์จแบตเตอรี่ด้วยเครื่องชาร์จที่บริษัทผู้ผลิตระบุไว้เท่านั้น** เครื่องชาร์จที่เหมาะสมสำหรับชาร์จแบตเตอรี่ประเภท


หนึ่ง หากนำไปชาร์จแบตเตอรี่ประเภทอื่น อาจเกิดไฟไหม้ได้

- ▶ **ใช้แบตเตอรี่เฉพาะประเภทที่เครื่องมือไฟฟ้ากำหนดให้ใช้ได้** การใช้แบตเตอรี่ประเภทอื่นเสี่ยงต่อการเกิดไฟไหม้หรือบาดเจ็บ
- ▶ **เมื่อไม่ใช้แบตเตอรี่ ให้เก็บแบตเตอรี่ไว้ห่างโลหะวัตถุอื่นๆ เช่น คลิปหนีบกระดาษ เหรียญ กุญแจ ตะปู สกรู หรือโลหะวัตถุขนาดเล็กอื่นๆ ที่สามารถต่อขั้วหนึ่งไปยังอีกขั้วหนึ่งได้** การลัดวงจรของขั้วแบตเตอรี่อาจทำให้เกิดการไหม้หรือไฟลุกได้
- ▶ **เมื่อใช้แบตเตอรี่ผิดวิธี อาจมีของเหลวไหลออกมาจากแบตเตอรี่ได้ ให้หลีกเลี่ยงการสัมผัสของเหลว หากสัมผัสโดยบังเอิญ ให้ใช้น้ำล้าง** หากของเหลวเข้าตา ให้ขอความช่วยเหลือจากแพทย์ด้วย ของเหลวที่ไหลออกมาจากแบตเตอรี่อาจทำให้เกิดอาการคันหรือแสบผิวหนังได้

**การบริการ**

- ▶ **ส่งเครื่องมือไฟฟ้าให้ช่างผู้เชี่ยวชาญตรวจสอบและใส่อะไหล่เปลี่ยนของแท้เท่านั้น** ในลักษณะนี้ท่านจะแน่ใจได้ว่าเครื่องมือไฟฟ้าอยู่ในสภาพที่ปลอดภัย

**คำเตือนเพื่อความปลอดภัยสำหรับไขควงกระแส**

- ▶ **เมื่อทำงานในบริเวณที่สกรูอาจสัมผัสกับสายไฟฟ้าที่ซ่อนอยู่** ต้องจับเครื่องมือไฟฟ้าตรงด้ามจับที่หุ้มฉนวน หากสกรูสัมผัสกับสายที่มีกระแสไฟฟ้าไหลผ่านจะทำให้ส่วนที่เป็นโลหะของเครื่องมือไฟฟ้าเกิดมีกระแสไฟฟ้าด้วย และส่งผลให้ผู้ใช้อุปกรณ์ถูกไฟฟ้าดูดได้
  - ▶ **ยึดชิ้นงานให้แน่น** การยึดชิ้นงานด้วยเครื่องมือหรือแท่นจับจะมั่นคงกว่าการยึดด้วยมือ
  - ▶ **ก่อนวางเครื่องลงบนพื้นทุกครั้งต้องรอให้เครื่องหยุดนิ่งอยู่กับที่เสมอ** มิฉะนั้นเครื่องมือที่ใส่อยู่อาจติดขัดและนำไปสู่การสูญเสียการควบคุมเครื่องมือไฟฟ้า
  - ▶ **อย่าเปิดแบตเตอรี่ด้วยตนเอง** อันตรายจากการลัดวงจร
- 

**ปกป้องแบตเตอรี่จากความร้อน ต. ย. เช่น จากแสงแดดจ้าที่ส่องอย่างต่อเนื่อง ไฟ น้ำ และความชื้น** อันตรายจากการระเบิด
- ▶ **ในกรณีที่แบตเตอรี่ชำรุดและใช้แบตเตอรี่อย่างไม่ถูกต้อง** อาจมีไอระเหยออกมา ให้สูดอากาศบริสุทธิ์และหาแพทย์ในกรณีเจ็บปวด ไอระเหยอาจทำให้ระบบหายใจระคายเคือง
  - ▶ **ใช้แบตเตอรี่เฉพาะกับผลิตภัณฑ์ของ บอช** ของท่านเท่านั้น เฉพาะมาตรการนี้เพียงอย่างเดียวจะช่วยปกป้องแบตเตอรี่จากการใช้งานเกินกำลังซึ่งเป็นอันตราย
  - ▶ **วัตถุที่แหลมคม ต. ย. เช่น ตะปูหรือไขควง หรือแรงกระทำภายนอก** อาจทำให้แบตเตอรี่เสียหายได้ สิ่งเหล่านี้อาจทำให้เกิดการลัดวงจรภายในและแบตเตอรี่ใหม่ มีควัน ระเบิด หรือร้อนเกินได้

## รายละเอียดผลิตภัณฑ์และ ข้อมูลจำเพาะ



**ต้องอ่านคำเตือนเพื่อความปลอดภัยและคำสั่งทั้งหมด** การไม่ปฏิบัติตามคำเตือนและคำสั่งอาจเป็นสาเหตุให้ถูกไฟฟ้าดูด เกิดไฟไหม้ และ/หรือได้รับบาดเจ็บอย่างร้ายแรง

### ประโยชน์การใช้งานของเครื่อง

เครื่องนี้ใช้สำหรับขันสกรูและโบลท์เข้าและคลายออก รวมทั้งขันน็อตให้ตึงและคลายให้หลวม ตามขนาดของสกรู โบลท์ และน็อต ที่ให้ไว้

ไฟส่องของเครื่องมือไฟฟ้านี้มีไว้เพื่อส่องสว่างพื้นที่ทำงานของเครื่องมือไฟฟ้าโดยตรง และไม่เหมาะสำหรับใช้เพิ่มความสว่างภายในห้องในครัวเรือน

### ส่วนประกอบผลิตภัณฑ์

ลำดับเลขของส่วนประกอบผลิตภัณฑ์อ้างอิงถึงส่วนประกอบของเครื่องที่แสดงในหน้าภาพประกอบ

- 1 ด้ามจับเครื่องมือ
- 2 ปลอกสำหรับล้อค
- 3 หลอดไฟ "PowerLight"

- 4 ปุ่มสำหรับหลอดไฟ "PowerLight"
- 5 จอแสดงความเร็วรอบ\*\*
- 6 ปุ่มสำหรับเลือกความเร็วรอบล่วงหน้าระบบอิเล็กทรอนิกส์\*\*
- 7 แป้นปลดล็อคแบตเตอรี่
- 8 แบตเตอรี่แพ็ค
- 9 สวิตช์เปลี่ยนทิศทางการหมุน
- 10 สวิตช์เปิด-ปิด
- 11 ไฟแสดงสถานะการชาร์จแบตเตอรี่
- 12 ด้ามจับ (พื้นผิวจับหุ้มฉนวน)
- 13 ดอกไขควงสองหัว\*
- 14 ด้ามจับดอกไขควง\*
- 15 ดอกไขควง\*
- 16 เครื่องมือ (ต.ย. เช่น ลูกบ็อกซ์กระแทก)\*
- 17 คลิปเข็มขัด\*
- 18 ก้านยึด\*
- 19 คลิปปลี\*

\*อุปกรณ์ประกอบที่แสดงหรือระบุไม่รวมอยู่ในการจัดส่งมาตรฐาน กรุณาดูอุปกรณ์ประกอบทั้งหมดในรายการแสดงอุปกรณ์ประกอบของเรา

\*\* ไม่มีอยู่ในเครื่องมือไฟฟ้าที่มีหมายเลขสินค้า 3 601 JEO 0F0 และ 3 601 JEO 1F0

### ข้อมูลทางเทคนิค

ไขควงกระแทกไร้สาย		GDR 10,8 V-EC	GDR 10,8 V-EC	GDS 10,8 V-EC	GDS 10,8 V-EC
หมายเลขสินค้า		3 601 JEO 0..	3 601 JEO 0F0	3 601 JEO 1..	3 601 JEO 1F0
แรงดันไฟฟ้ากำหนด	V=	10.8	10.8	10.8	10.8
ความเร็วรอบเดินตัวเปล่า	รอบ/นาที	—	0–2600	—	0–2600
ความเร็วรอบเดินตัวเปล่า					
– การตั้งค่า 1	รอบ/นาที	0–1200	—	0–1200	—
– การตั้งค่า 2	รอบ/นาที	0–2600	—	0–2600	—
อัตรากระแทก	/นาที	—	0–3100	—	0–3100
อัตรากระแทก					
– การตั้งค่า 1	/นาที	0–2700	—	0–2700	—
– การตั้งค่า 2	/นาที	0–3100	—	0–3100	—
แรงบิดสูงสุด การขันสกรูแบบแข็งตาม ISO 5393	Nm	110	110	115	115
ขนาดของโบลท์	มม.	M4–M12	M4–M12	M4–M12	M4–M12
Ø-สกรู สูงสุด	มม.	8	8	8	8
ด้ามจับเครื่องมือ		1/4" ทกเหลี่ยม สวมด้านใน	1/4" ทกเหลี่ยม สวมด้านใน	■ 3/8"	■ 3/8"
นี้หน้าทักตามระเบียบการ-EPTA-Procedure 01:2014	กก.	0.92 - 1.1	0.92 - 1.1	0.91 - 1.1	0.91 - 1.1

## 30 | ภาษาไทย

## แบตเตอรี่

อุณหภูมิแวดล้อม ที่อนุญาต		
- เมื่อชาร์จ	°C	0... +45
- เมื่อทำงาน*	°C	-20... +50
- เมื่อเก็บรักษา	°C	-20... +60

แบตเตอรี่ที่แนะนำ GBA 10,8V x,xAh O-.

\* ผลการทำงานน้อยลงที่อุณหภูมิ < 0 °C

## การประกอบ

## การถอดแบตเตอรี่ (ดูภาพประกอบ A)

- ▶ ใช้เฉพาะเครื่องชาร์จแบตเตอรี่ตามรายการในหน้าอุปกรณ์ประกอบเท่านั้น เฉพาะเครื่องชาร์จแบตเตอรี่เหล่านี้เท่านั้นที่เข้าชุดกับแบตเตอรี่ลิเธียม ไอออน ของเครื่องมือไฟฟ้าของท่าน

**หมายเหตุ:** แบตเตอรี่ที่จัดส่งได้รับการชาร์จไฟไว้บ้างแล้ว เพื่อให้แบตเตอรี่ทำงานได้เต็มประสิทธิภาพ ต้องชาร์จแบตเตอรี่ในเครื่องชาร์จแบตเตอรี่ให้เต็มก่อนใช้งานเครื่องมือไฟฟ้าของท่านเป็นครั้งแรก

แบตเตอรี่ลิเธียม ไอออน สามารถชาร์จได้ตลอดเวลาโดยอายุการใช้งานจะไม่ลดลง การชาร์จทิ้งหวั่กระบวนการชาร์จไม่ทำให้แบตเตอรี่เสียหาย

"Electronic Cell Protection (ECP)" ป้องกันไม่ให้แบตเตอรี่ Li-ion จ่ายกระแสไฟฟ้่าออกอีก เมื่อแบตเตอรี่หมดไฟ วงจรป้องกันจะดับสวิทช์เครื่อง เครื่องมือที่ใส่อยู่จะไม่หมุนต่อ

- ▶ หลังจากเครื่องดับสวิทช์โดยอัตโนมัติ อย่ากดสวิทช์เปิด-ปิดต่อ แบตเตอรี่อาจเสียหายได้

ถอดแบตเตอรี่ 8 ออกโดยกดแป้นปลดล็อก 7 และเอาแบตเตอรี่ออกโดยดันลงด้านล่าง **อย่าใช้กำลังดัน**

อ่านและปฏิบัติตามข้อล้ง้เกิดสำหรับการกำจัดขยะ

## การเปลี่ยนเครื่องมือ

- ▶ ก่อนปรับแต่งเครื่อง (ต.ย. เช่น เมื่อบำรุงรักษา เปลี่ยนเครื่องมือ และอื่นๆ) และขณะขนย้ายและเก็บเครื่องเข้าที่ ให้ถอดแบตเตอรี่ออกจากเครื่องมือไฟฟ้า อันตรายจากการบาดเจ็บหากสวิทช์เปิด-ปิดติดขึ้นอย่างไม่มีตั้งใจ

- ▶ ทำความสะอาดช่องระบายอากาศของเครื่องมือไฟฟ้าอย่างสม่ำเสมอ ฟิล์มของมอเตอร์จะดูดผงฝุ่นเข้าในหม้อครอบ และผงโลหะที่พอกสะสมกันมากๆ อาจทำให้เกิดอันตรายจากไฟฟ้าได้

## GDR 10,8 V-EC:

## การใส่ (ดูภาพประกอบ B)

ดึงปลอกสำหรับล็อก 2 ไปข้างหน้า ดันเครื่องมือเข้าในด้ามจับเครื่องมือ 1 และปล่อยมือจากปลอกสำหรับล็อก 2 เพื่อล็อกเครื่องมือที่ใส่เข้าไป

ท่านสามารถใส่ดอกไขควง 15 โดยเสียบเข้าในด้ามจับดอกไขควงที่มีปลายล็อกรูปทรงกลม 14

## การถอด

ดึงปลอกสำหรับล็อก 2 ไปข้างหน้า และถอดเครื่องมือที่ใส่อยู่ออกมา

## GDS 10,8 V-EC: (ดูภาพประกอบ C)

- ▶ เมื่อใช้เครื่องมือทำงาน ต้องดูให้เครื่องมือเชื่อมต่อบนด้ามจับเครื่องมืออย่างแน่นหนา หากเครื่องมือไม่ถูกเชื่อมต่อกับด้ามจับเครื่องมืออย่างแน่นหนา เครื่องมืออาจหลุดออกมาระหว่างการใช้งาน

เลื่อนเครื่องมือ 16 สวมบนด้ามจับทรงสี่เหลี่ยมของด้ามจับเครื่องมือ 1

อย่างไรก็ตามขึ้นอยู่กับระบบ ในกรณีที่เครื่องมือ 16 วางโยกไปมาอยู่บนด้ามจับเครื่องมือ 1 หลังจากได้เชื่อมต่ออย่างแน่นหนาแล้ว; ลักษณะนี้ไม่มีผลต่อการทำงาน/ความปลอดภัย

## การปฏิบัติงาน

## วิธีปฏิบัติงาน

ด้ามจับเครื่องมือ 1 พร้อมเครื่องมือหมุนได้ด้วยมอเตอร์ไฟฟ้าโดยผ่านเกียร์และกลไกกระแทก

กระบวนการทำงานแบ่งออกเป็นสองขั้นตอน:

**การขันสกรูเข้า และ การขันให้แน่น** (กลไกกระแทกทำงาน) กลไกกระแทกจะถูกกระตุ้นในทันทีที่ขันสกรูติดสนิทในชิ้นงานแล้ว และด้วยเหตุนี้มอเตอร์จึงถูกโหลด ในขั้นตอนนี้กลไกกระแทกจะเปลี่ยนพลังงานมอเตอร์เป็นการกระแทกหมุนอย่างสม่ำเสมอ เมื่อคลายสกรูหรือน็อตออก ให้ทำตามลำดับย้อนหลัง

## เริ่มต้นปฏิบัติงาน

## การใส่แบตเตอรี่

- ▶ ใช้เฉพาะแบตเตอรี่ลิเธียม ไอออน ของแท้ของ บอช ที่มีแรงดันไฟฟ้าตามที่ระบุไว้บนแผ่นป้ายติดของเครื่องมือไฟฟ้าของท่านเท่านั้น การใช้แบตเตอรี่ประเภทอื่นอาจทำให้ได้รับบาดเจ็บและเสี่ยงต่อการเกิดไฟไหม้

ตั้งสวิทช์เปลี่ยนทิศทางการหมุน 9 ไว้ที่ตำแหน่งกลางเพื่อป้องกันไม่ให้เครื่องมือไฟฟ้าสตาร์ทขึ้นโดยไม่มีตั้งใจ

ดันแบตเตอรี่ที่ชาร์จแล้ว 8 จากด้านหน้าเข้าในฐานของเครื่องมือไฟฟ้าจนแบตเตอรี่เข้าล็อกอย่างมั่นคง

## การกลับทิศทางการหมุน (ดูภาพประกอบ D)

สวิทช์เปลี่ยนทิศทางการหมุน 9 ใช้สำหรับกลับทิศทางการหมุนของเครื่อง อย่างไรก็ตาม ห้ากกดสวิทช์เปิด-ปิด 10 อยู่จะกลับทิศทางการหมุนไม่ได้

**การหมุนทางขวา:** สำหรับการขันสกรูเข้าและขันน็อตให้แน่น ให้กดสวิทช์เปลี่ยนทิศทางการหมุน 9 ไปทางซ้ายจนสุด

**การหมุนทางซ้าย:** สำหรับการคลายและขันสกรูและน็อตออก ให้กดสวิทช์เปลี่ยนทิศทางการหมุน 9 ไปทางขวาจนสุด

## การเปิด-ปิดเครื่อง

เปิดเครื่องทำงานโดยกดสวิทช์เปิด-ปิด 10 และกดค้างไว้ ปิดเครื่องโดยปล่อยนิ้วจากสวิทช์เปิด-ปิด 10

## การปรับความเร็วรอบ

ความเร็วรอบของเครื่องมือไฟฟ้าที่เปิดทำงานสามารถปรับเปลี่ยนได้ตามแรงกดมากน้อยบนสวิทช์เปิด-ปิด 10

การกดสวิทช์เปิด-ปิด 10 เบาะจะได้ความเร็วรอบต่ำ การกดสวิทช์แรงยิ่งขึ้นจะได้ความเร็วรอบสูงขึ้น

**การตั้งค่าความเร็วรอบ/กระแสพลังหน้า  
(ไม่มีอยู่ในเครื่องมือไฟฟ้าที่มีหมายเลขสินค้า  
3 601 JEO 0F0 และ 3 601 JEO 1F0)**

ท่านสามารถตั้งค่าความเร็วรอบ/กระแสที่จำเป็นไว้ล่วงหน้าได้ด้วยปุ่ม 6 ซึ่งมี 2 ชั้นให้เลือกกดปุ่ม 6 ซ้ำๆ จนกว่าค่าที่ต้องการจะปรากฏบนจอแสดงความเร็วรอบ 5 การตั้งค่าที่เลือกจะถูกเก็บไว้

ความเร็วรอบ/กระแสที่ต้อใช้ขึ้นอยู่กับประเภทวัสดุและเงื่อนไขการทำงาน และสามารถกำหนดได้จากการทดลองฝึกปฏิบัติ

**การเปิด-ปิดหลอดไฟ "PowerLight"  
(ไม่มีอยู่ในเครื่องมือไฟฟ้าที่มีหมายเลขสินค้า  
3 601 JEO 0F0 และ 3 601 JEO 1F0)**

เปิดหลอดไฟ 3 โดยกดปุ่ม 4 หลอดไฟ 3 จะปิดเมื่อกดปุ่ม 4 อีกครั้ง

**การแสดงสถานะการชาร์จแบตเตอรี่**

ไฟแสดงสถานะการชาร์จแบตเตอรี่ 11 ประกอบด้วย LED สีเขียวสามดวง เมื่อกดสวิตช์เปิด-ปิด 10 ครั้งทางหรือเต็มที่ไฟจะบ่งบอกสถานะการชาร์จของแบตเตอรี่นานสองสามวินาที

LED	ความจุ
ส่องสว่างต่อเนื่อง 3 x สีเขียว	≥ 2/3
ส่องสว่างต่อเนื่อง 2 x สีเขียว	≥ 1/3
ส่องสว่างต่อเนื่อง 1 x สีเขียว	< 1/3
ไฟกะพริบ 1 x สีเขียว	สำรอง

**การป้องกันการใช้งานเกินกำลังโดยอาศัยอุณหภูมิ**

หากใช้งานเครื่องมือไฟฟ้าอย่างถูกต้องตรงตามวัตถุประสงค์ เครื่องจะไม่รับภาระมากเกินไปหากเครื่องมีภาระเกินหรืออยู่นอกช่วงอุณหภูมิแบตเตอรี่ที่อนุญาตระหว่าง 0–70 °C กำลังจ่ายไฟฟ้าของจะลดลง หรือเครื่องมือไฟฟ้าจะปิดสวิตช์ลงเครื่องมือไฟฟ้าจะทำงานอีกครั้งด้วยกำลังจ่ายไฟฟ้าขาออกเต็มที่เมื่อถึงอุณหภูมิแบตเตอรี่ที่อนุญาต

**คำอ้างอิงสำหรับแรงบิดสูงสุดในการขันสกรู/โบลท์**

คำนวณจากรูปตัดแรงเค้น; การใช้ให้เป็นประโยชน์ของจุดล้ากำลังของโลหะ 90 % (สัมประสิทธิ์ของแรงเสียดทาน  $\mu_{total} = 0.12$ ) สำหรับการควบคุม ให้ตรวจสอบแรงบิดที่แน่นอนด้วยประแจกระบอกลที่มีเครื่องวัดแรงบิดเสมอ

ระดับคุณสมบัติตาม DIN 267	สกรู/โบลท์มาตรฐาน										โบลท์ความแข็งแรงสูง	
	3.6	4.6	5.6	4.8	6.6	5.8	6.8	6.9	8.8	10.9	12.9	
M 6	2.71	3.61	4.52	4.8	5.42	6.02	7.22	8.13	9.7	13.6	16.2	
M 8	6.57	8.7	11	11.6	13.1	14.6	17.5	19.7	23	33	39	
M 10	13	17.5	22	23	26	29	35	39	47	65	78	
M 12	22.6	30	37.6	40	45	50	60	67	80	113	135	
M 14	36	48	60	65	72	79	95	107	130	180	215	
M 16	55	73	92	98	110	122	147	165	196	275	330	

**ข้อแนะนำในการทำงาน**

**▶ จับเครื่องมือไฟฟ้าข้ามหน้าสกรู/น็อตเมื่อเครื่องปิดอยู่เท่านั้น** เครื่องมือที่หมุนอยู่อาจลื่นไถล

แรงบิดขึ้นอยู่กับระยะเวลาการแตก แรงบิดสูงสุดที่ได้เป็นผลจากยอตรงของแต่ละแรงบิดที่ได้จากการกระแทก จะได้แรงบิดสูงสุดหลังจากการแตกไปได้ 6–10 วินาที หลังช่วงเวลา นี้ แรงบิดจะเพิ่มขึ้นเพียงเล็กน้อยเท่านั้น

ต้องกำหนดระยะเวลาการแตกสำหรับทุกๆ แรงบิดที่ต้องการตรวจสอบแรงบิดที่ได้จริงด้วยประแจกระบอกลที่มีเครื่องวัดแรงบิดเสมอ

**การขันสกรูแบบแข็ง แบบยึดหยุ่น หรือแบบนุ่ม**

ในการทดสอบ แรงบิดที่ได้จากการกระแทกเป็นลำดับติดต่อกันจะถูกวัดและโอนเข้าแผนภาพ ซึ่งจะแสดงผลเป็นเส้นโค้งของลักษณะเฉพาะของแรงบิด ระดับความสูงของเส้นโค้งคือแรงบิดสูงสุดที่ไปถึงได้ และระดับความชันแสดงระยะเวลาที่ไปถึงแรงบิดสูงสุด

ความลาดของแรงบิดขึ้นอยู่กับปัจจัยต่อไปนี้:

- คุณสมบัติความแข็งแรงของสกรู/น็อต
- ชนิดของตัวเสริม (ประเก็นวงแหวน สปริงแผ่น แผ่นซีล)
- คุณสมบัติความแข็งแรงของวัสดุที่จะขันสกรู/โบลท์เข้าไป
- สภาพการหล่อลื่นน้ำมันตรงรอยต่อระหว่างสกรู/โบลท์และวัสดุที่ขันเข้าไป

เนื่องด้วยปัจจัยดังกล่าวข้างต้น จึงมีการขันแบบต่างๆ กันต่อไปนี้:

- **การขันแบบแข็ง** เกิดขึ้นในกรณีที่โลหะอยู่บนโลหะและใช้ประเก็นวงแหวน หลังใช้เวลาระงับพักสั้นๆ ก็จะได้แรงบิดสูงสุด (เส้นโค้งมีลักษณะลาดชัน) การกระแทกเป็นเวลานานโดยไม่จำเป็นจะทำให้เครื่องชำรุดเสียหายเท่านั้น
- **การขันแบบยึดหยุ่น** เกิดขึ้นในกรณีที่โลหะอยู่บนโลหะ หากแต่ใช้วงแหวนสปริง สปริงแผ่น ตะปูหัวใหญ่หรือสกรู/น็อตที่มีก้นรูปกรวย และเมื่อใช้ส่วนประกอบเพิ่มเติม
- **การขันแบบนุ่ม** เกิดขึ้นในกรณีที่ขันสกรู ต. ย. เช่น โลหะอยู่บนไม้ หรือเมื่อใช้ประเก็นวงแหวนตะกั่ว หรือประเก็นวงแหวนไฟเบอร์เป็นตัวเสริม

แรงบิดสูงสุดของการขันแบบยึดหยุ่นและแบบนุ่มจะต่ำกว่าแรงบิดที่แน่นอนสูงสุดของการขันแบบแข็ง และยังต้องการระยะเวลาการแตกที่ยาวนานกว่าอย่างเห็นได้ชัดอีกด้วย

## 32 | ภาษาไทย

**คำแนะนำ**

ขอแนะนำให้เจาะรูนำก่อนขันสกรูขนาดใหญ่หรือยาวเข้าไปในชิ้นงานที่เป็นวัสดุแข็ง โดยเจาะลึกประมาณ  $\frac{2}{3}$  ของความยาวสกรู

**หมายเหตุ:** ระวังอย่าให้ผงโลหะเข้าไปในเครื่องมือไฟฟ้า

**คลิปเข็มขัด (คุณภาพประกอบ E)**

คลิปเข็มขัด 17 ใช้สำหรับแขวนเครื่องเข้ากับเข็มขัด ผู้ใช้จะมีมือใช้งานอิสระได้ทั้งสองข้าง และสามารถหยิบจับเครื่องได้ตลอดเวลา

**ก้านยึด (คุณภาพประกอบ F)**

ท่านสามารถแขวนเครื่องมือไฟฟ้า ต. ย. เช่น ไว้กับตะขอแบบลื่นสปริงจับได้เองโดยเกี่ยวเข้ากับก้านยึด 18 ผู้ใช้จะมีมือใช้งานอิสระได้ทั้งสองข้าง และสามารถหยิบจับเครื่องได้ตลอดเวลา

**คลิปสี่ (คุณภาพประกอบ G)**

ท่านสามารถจำแนกแยกแยะเครื่องมือไฟฟ้าแต่ละเครื่องด้วยคลิปสี่ 19

**ข้อแนะนำในการปฏิบัติต่อแบตเตอรี่อย่างเหมาะสมที่สุด**

ปกป้องแบตเตอรี่จากความชื้นและน้ำ

เก็บแบตเตอรี่ไว้ในที่แห้งอุณหภูมิระหว่าง 0 °C และ 50 °C เท่านั้น ตัวอย่าง เช่น ต้องไม่ทิ้งแบตเตอรี่ไว้ในรถยนต์ในฤดูร้อน

ทำความสะอาดช่องระบายอากาศเป็นครั้งคราวโดยใช้แปรงขนอ่อนที่แห้งและสะอาด

หลังจากชาร์จแบตเตอรี่แล้ว หากแบตเตอรี่มีช่วงเวลาทำงานสั้นมาก แสดงว่าแบตเตอรี่เสื่อมและต้องเปลี่ยนใหม่ อ่านและปฏิบัติตามข้อสังเกตสำหรับการกำจัดขยะ

**การบำรุงรักษาและการบริการ****การบำรุงรักษาและการทำความสะอาด**

- ▶ **ก่อนปรับแต่งเครื่อง (ต.ย. เช่น เมื่อบำรุงรักษา เปลี่ยนเครื่องมือ และอื่นๆ) และขณะขนย้ายและเก็บเครื่อง** เข้าที่ ให้ถอดแบตเตอรี่ออกจากเครื่องมือไฟฟ้า อันตรายจากการบาดเจ็บหากสวิตช์เปิด-ปิดติดขึ้นอย่างไม่ตั้งใจ
- ▶ **เพื่อให้ทำงานได้อย่างถูกต้องและปลอดภัย ต้องรักษาเครื่องและช่องระบายอากาศให้สะอาดอยู่เสมอ**

**การบริการหลังการขายและคำแนะนำการใช้งาน**

ศูนย์บริการหลังการขายของเรายินดีตอบคำถามเกี่ยวกับการบำรุงรักษาและการซ่อมแซมผลิตภัณฑ์ของท่าน รวมทั้งชิ้นส่วนอะไหล่ ภาพแยกชิ้นประกอบและข้อมูลเกี่ยวกับชิ้นส่วนอะไหล่ยังสามารถดูได้ใน:

[www.bosch-pt.com](http://www.bosch-pt.com)

ทีมงานให้คำแนะนำการใช้งานของ บ็อช ยินดีตอบคำถามเกี่ยวกับผลิตภัณฑ์ของเราและอุปกรณ์ประกอบของผลิตภัณฑ์

เมื่อต้องการสอบถามและสั่งซื้ออะไหล่ กรุณาแจ้งหมายเลขสินค้าหลักบนแผ่นป้ายรุ่นของเครื่องทุกครั้ง

ในกรณีประกัน ซ่อมแซม หรือซื้อชิ้นส่วนมาเปลี่ยน

กรุณาติดต่อ ผู้ขายที่ได้รับแต่งตั้งเท่านั้น

**ไทย**

บริษัท โรเบิร์ต บ็อช จำกัด

ชั้น 11 ตึกลิเบอร์ตี สแควร์

287 ถนนสีลม บางรัก

กรุงเทพฯ 10500

โทรศัพท์ 02 6393111, 02 6393118

โทรสาร 02 2384783

บริษัท โรเบิร์ต บ็อช จำกัด ตู๊ ปณ. 2054

กรุงเทพฯ 10501 ประเทศไทย

[www.bosch.co.th](http://www.bosch.co.th)

ศูนย์บริการซ่อมและฝึกอบรม บ็อช

อาคาร ลาซาลทาวเวอร์ ชั้น G ห้องเลขที่ 2

บ้านเลขที่ 10/11 หมู่ 16

ถนนศรีนครินทร์

ตำบลบางแก้ว อำเภอบางพลี

จังหวัดสมุทรปราการ 10540

ประเทศไทย

โทรศัพท์ 02 7587555

โทรสาร 02 7587525

**การขนส่ง**


แบตเตอรี่ลิเทียม ไอออน ที่บรรจุอยู่ภายใต้ข้อกำหนดแห่งกฎหมายสินค้าอันตราย ผู้ใช้สามารถขนส่งแบตเตอรี่โดยทางถนนโดยไม่มีข้อบังคับอื่น

หากขนส่งโดยบุคคลที่สาม (เช่น: การขนส่งทางอากาศ หรือตัวขนส่งสินค้า) ต้องปฏิบัติตามข้อกำหนดพิเศษเกี่ยวกับการบรรจุภัณฑ์และการติดฉลาก ในการจัดเตรียมสิ่งของที่จะจัดส่ง ต้องปรึกษาผู้เชี่ยวชาญสำหรับวัตถุนั้น

ส่งแบตเตอรี่เมื่อตัวหุ้มไม่ชำรุดเสียหายเท่านั้น ใช้แถบกาวพันปิดหน้าสัมผัสที่เปิดอยู่ และนำแบตเตอรี่ใส่กล่องบรรจุโดยไม่ให้เคลื่อนไปมาในกล่องได้

นอกจากนี้กรุณาปฏิบัติตามกฎระเบียบของประเทศซึ่งอาจมีรายละเอียดเพิ่มเติม

**การกำจัดขยะ**

 เครื่อง แบตเตอรี่ที่นำกลับมาชาร์จใหม่ได้ อุปกรณ์ประกอบ และทิปห่อ ต้องนำไปแยกประเภทวัสดุเพื่อนำกลับมาใช้ใหม่โดยไม่ทำลายสภาพแวดล้อม

อย่าทิ้งเครื่องมือไฟฟ้าและแบตเตอรี่/แบตเตอรี่ที่นำกลับมาชาร์จใหม่ได้ ลงในขยะบ้าน!

**แบตเตอรี่แพ็ค/แบตเตอรี่:**



**Li-ion:**

กรุณาปฏิบัติตามคำสั่งในบท "การขนส่ง" หน้า 32

ขอสงวนสิทธิ์ในการเปลี่ยนแปลงโดยไม่ต้องแจ้งล่วงหน้า



## Bahasa Indonesia

### Petunjuk-Petunjuk untuk Keselamatan Kerja

#### Petunjuk-Petunjuk Umum untuk Perkakas Listrik

**⚠ PERHATIKANLAH** Bacalah semua petunjuk-petunjuk untuk keselamatan kerja dan petunjuk-petunjuk untuk penggunaan.

Kesalahan dalam menjalankan petunjuk-petunjuk untuk keselamatan kerja dan petunjuk-petunjuk untuk penggunaan dapat mengakibatkan kontak listrik, kebakaran dan/atau luka-luka yang berat.

**Simpanlah semua petunjuk-petunjuk untuk keselamatan kerja dan petunjuk-petunjuk lainnya untuk penggunaan di masa depan.**

Kata „perkakas listrik“ yang disebutkan di dalam petunjuk-petunjuk untuk keselamatan kerja adalah sebutan untuk perkakas listrik pakai listrik jaringan (dengan kabel) dan untuk perkakas listrik tenaga baterai (tanpa kabel listrik).

#### Keselamatan kerja di tempat kerja

- ▶ **Jagalah supaya tempat kerja selalu bersih dan terang.** Tempat kerja yang tidak rapi atau tidak terang dapat mengakibatkan terjadinya kecelakaan.
- ▶ **Janganlah menggunakan perkakas listrik di tempat di mana dapat terjadi ledakan, di mana ada cairan, gas atau debu yang mudah terbakar.** Perkakas listrik dapat memancarkan bunga api yang lalu mengakibatkan debu atau uap terbakar.
- ▶ **Selama menggunakan perkakas listrik, jauhkan anak-anak dan orang-orang lain dari tempat kerja.** Jika konsentrasi terganggu, bisa jadi Anda tidak bisa mengendalikan perkakas listrik tersebut.

#### Keamanan listrik

- ▶ **Steker dari perkakas listrik harus cocok pada stopkontak.** Janganlah sekali-kali merubah steker. Janganlah menggunakan steker perantara bersama dengan perkakas listrik yang mempunyai hubungan arde. Steker yang tidak dirubah dan stopkontak yang cocok mengurangi bahaya terjadinya kontak listrik.
- ▶ **Jagalah supaya badan Anda tidak bersentuhan dengan permukaan yang mempunyai hubungan arde, misalnya pipa-pipa, radiator pemanas ruangan, kompor listrik dan lemari es.** Ada risiko besar terjadi kontak listrik, jika badan Anda mempunyai hubungan arde.
- ▶ **Jagalah supaya perkakas listrik tidak kena hujan atau menjadi basah.** Air yang masuk ke dalam perkakas listrik menambah risiko terjadinya kontak listrik.
- ▶ **Janganlah menyalah gunakan kabel listrik untuk mengangkat dan menggantungkan perkakas listrik atau untuk menarik steker dari stopkontak.** Jagalah supaya kabel listrik tidak kena panas, minyak, pinggiran yang tajam atau bagian-bagian perkakas yang bergerak. Kabel listrik yang rusak atau tersangkut menambah risiko terjadinya kontak listrik.

- ▶ **Jika Anda menggunakan perkakas listrik di luar gedung, gunakanlah hanya kabel sambungan yang juga cocok untuk pemakaian di luar gedung.** Penggunaan kabel sambungan yang cocok untuk pemakaian di luar gedung mengurangi risiko terjadinya kontak listrik.
- ▶ **Jika penggunaan perkakas listrik di tempat yang basah tidak bisa dihindarkan, gunakanlah sakelar pengaman terhadap arus penyimpangan.** Penggunaan sakelar pengaman terhadap arus penyimpangan mengurangi risiko terjadinya kontak listrik.

#### Keselamatan kerja

- ▶ **Berhati-hatilah selalu, perhatikanlah apa yang Anda kerjakan dan bekerjalah dengan seksama jika menggunakan perkakas listrik.** Janganlah menggunakan perkakas listrik, jika Anda capai atau berada di bawah pengaruh narkoba, minuman keras atau obat. Jika Anda sekejap mata saja tidak berhati-hati sewaktu menggunakan perkakas listrik, dapat terjadi luka-luka berat.
- ▶ **Pakailah pakaian dan sarana pelindung dan pakailah selalu kaca mata pelindung.** Dengan memakai pakaian dan sarana pelindung, misalnya kedok anti debu (masker), sepatu tertutup yang tidak licin, helm pelindung atau pemalut telinga sesuai dengan pekerjaan yang dilakukan dengan perkakas listrik, bahaya terjadinya luka-luka dapat dikurangi.
- ▶ **Jagalah supaya perkakas listrik tidak dihidupkan secara tidak disengaja.** Perhatikan bahwa perkakas listrik dalam penyetelan mati, jika steker disambungkan pada pengadaaan listrik dan/atau baterai, jika perkakas listrik diangkat atau dibawa. Jika selama mengangkat perkakas listrik jari Anda berada pada tombol untuk menghidupkan dan mematikan atau perkakas listrik yang dalam penyetelan hidup disambungkan pada listrik, dapat terjadi kecelakaan.
- ▶ **Lepaskan semua perkakas-perkakas penyetelan atau kunci-kunci pas sebelum perkakas listrik dihidupkan.** Perkakas atau kunci yang berada di dalam bagian yang berputar dapat mengakibatkan terjadinya luka-luka.
- ▶ **Aturkan badan sedemikian sehingga Anda bisa bekerja dengan aman. Berdirilah secara mantap dan jagalah selalu keseimbangan.** Dengan demikian Anda bisa mengendalikan perkakas listrik dengan lebih baik, jika terjadi sesuatu dengan tiba-tiba.
- ▶ **Pakailah pakaian yang cocok.** Janganlah memakai pakaian yang longgar atau perhiasan. Jagalah supaya rambut, pakaian dan sarung tangan tidak masuk dalam bagian-bagian perkakas yang bergerak. Pakaian yang longgar, rambut panjang atau perhiasan dapat tersangkut dalam bagian perkakas yang bergerak.
- ▶ **Jika ada kemungkinan untuk memasang sarana penghisapan dan penampungan debu, perhatikan bahwa sarana-sarana ini telah dipasangkan dan digunakan dengan betul.** Penggunaan sarana penghisapan bisa mengurangi bahaya yang disebabkan debu.

## 34 | Bahasa Indonesia

**Penggunaan dan penanganan perkakas listrik dengan seksama**

- ▶ **Janganlah membebankan perkakas listrik terlalu berat. Gunakan selalu perkakas listrik yang cocok untuk pekerjaan yang dilakukan.** Dengan perkakas listrik yang cocok Anda bekerja lebih baik dan lebih aman dalam batas-batas kemampuan yang ditentukan.
- ▶ **Janganlah menggunakan perkakas listrik yang tombolnya rusak.** Perkakas listrik yang tidak bisa dihidupkan atau dimatikan, berbahaya dan harus direparasikan.
- ▶ **Tariklah steker dari stopkontak dan/atau keluarkan baterai, sebelum Anda melakukan penyetelan pada perkakas listrik, mengganti alat-alat kerja atau sebelum menyimpan perkakas listrik.** Tindakan keselamatan kerja ini mengurangi bahaya perkakas listrik hidup secara tidak disengaja.
- ▶ **Simpanlah perkakas listrik yang tidak digunakan di luar jangkauan anak-anak. Janganlah mengizinkan orang-orang yang tidak mengenal perkakas listrik ini atau yang belum membaca petunjuk-petunjuk ini, menggunakan perkakas listrik ini.** Perkakas listrik bisa menjadi berbahaya, jika digunakan oleh orang-orang yang tidak mengenalnya.
- ▶ **Rawatlah perkakas listrik dengan seksama. Periksa, apakah bagian-bagian perkakas listrik yang bergerak berfungsi dengan baik dan tidak tersangkut, apakah ada bagian-bagian yang patah atau rusak sedemikian, sehingga dapat mempengaruhi jalannya perkakas listrik. Biarkan bagian-bagian perkakas yang rusak direparasikan, sebelum Anda mulai menggunakan perkakas listrik.** Banyak kecelakaan terjadi karena perkakas listrik tidak dirawat dengan seksama.
- ▶ **Perhatikan supaya alat-alat pemotong selalu tajam dan bersih.** Alat-alat pemotong dengan mata-mata pemotong yang tajam dan dirawat dengan seksama tidak mudah tersangkut dan lebih mudah dikendalikan.
- ▶ **Gunakanlah semua perkakas listrik, aksesor, alat-alat kerja dsb. sesuai dengan petunjuk-petunjuk. Perhatikan syarat-syarat kerja dan macam pekerjaan yang dilakukan.** Penggunaan perkakas listrik untuk macam pekerjaan yang tidak cocok dengan kegunaannya bisa mengakibatkan keadaan yang berbahaya.

**Penanganan dan penggunaan perkakas-perkakas pakai baterai dengan seksama**

- ▶ **Isikan baterai hanya dalam alat-alat pencas baterai yang dianjurkan oleh pabrik.** Jika suatu alat pencas baterai yang cocok untuk mengisi satu macam baterai tertentu, digunakan untuk mengisi baterai-baterai lainnya, ada bahaya terjadinya kebakaran.
- ▶ **Gunakanlah hanya baterai-baterai yang cocok dan khusus untuk masing-masing perkakas listrik.** Penggunaan baterai-baterai lain dapat mengakibatkan terjadinya luka-luka dan kebakaran.

- ▶ **Jika baterai tidak digunakan, jauhkan baterai dari klip untuk kertas, uang logam, kunci, paku, sekrup atau benda-benda kecil dari logam lainnya, yang dapat menjembatani kontak-kontak.** Korsleting antara kontak-kontak baterai dapat mengakibatkan kebakaran atau api.
- ▶ **Jika baterai tidak digunakan dengan betul, dapat keluar cairan dari baterai. Jagalah supaya Anda tidak terkena pada cairan ini. Jika secara tidak disengaja Anda terkena pada cairan ini, cucikan dengan air. Jika cairan tersebut terkena pada mata, selain tindakan di atas, segera hubungi seorang dokter.** Cairan yang keluar dari baterai dapat mengakibatkan gangguan pada kulit atau kebakaran.

**Servis**

- ▶ **Biarkan perkakas listrik Anda direparasikan hanya oleh orang-orang ahli yang berpengalaman dan hanya dengan menggunakan suku cadang yang asli.** Dengan demikian terjamin keselamatan kerja dengan perkakas listrik ini secara berkesinambungan.

**Petunjuk-petunjuk untuk keselamatan kerja untuk obeng elektro dengan getaran**

- ▶ **Peganglah perkakas listrik hanya pada pegangan yang terisolir, jika Anda melakukan pekerjaan di mana sekrapnya bisa terkena pada saluran listrik yang tidak terlihat.** Sentuhan sekrap pada kabel yang bertegangan dapat mengakibatkan bagian-bagian logam dari perkakas listrik juga bertegangan dan lalu mengakibatkan kontak listrik.
- ▶ **Usahakan supaya benda yang dikerjakan tidak goyang.** Benda yang ditahan dalam alat pemegang atau bais lebih mantap daripada benda yang dipegang dengan tangan.
- ▶ **Sebelum meletakkan perkakas listrik, tunggulah sampai perkakas berhenti memutar.** Alat kerja bisa tersangkut dan membuat perkakas listrik tidak bisa dikendalikan.
- ▶ **Janganlah membuka baterai.** Ada bahaya terjadinya korsleting.



**Lindungilah baterai terhadap panas, misalnya juga terhadap penyinaran matahari yang lama, api, air dan kelembaban.** Ada bahaya terjadinya ledakan.

- ▶ **Jika baterai rusak dan jika baterai digunakan salah, baterai bisa mengeluarkan uap. Biarkan udara segar mengalir masuk dan jika Anda merasa tidak enak badan, pergilah ke dokter.** Uap tersebut bisa mengganggu saluran pernafasan.
- ▶ **Gunakan baterai hanya untuk produk Bosch milik Anda.** Dengan demikian baterai dilindungi terhadap penggunaan yang terlalu berat yang membahayakan.
- ▶ **Baterai dapat rusak akibat benda berujung runcing seperti paku atau obeng atau akibat tekanan yang kuat dari luar.** Hal ini dapat menyebabkan terjadinya hubungan singkat internal dan baterai dapat terbakar, berasap, meledak, atau mengalami panas berlebih.

## Penjelasan tentang produk dan daya



### Bacalah semua petunjuk-petunjuk untuk keselamatan kerja dan petunjuk-petunjuk untuk penggunaan.

Kesalahan dalam menjalankan petunjuk-petunjuk untuk keselamatan kerja dan petunjuk-petunjuk untuk penggunaan dapat mengakibatkan

kontak listrik, kebakaran dan/atau luka-luka yang berat.

### Penggunaan alat

Perkakas listrik ini cocok untuk memutar masuk dan memutar ke luar sekrup dan baut serta untuk mengencangkan dan mengendorkan mur masing-masing dalam batas-batas ukuran yang ditentukan.

Lampu pada perkakas listrik ini dimaksudkan untuk menerangi area pekerjaan perkakas listrik dan tidak sesuai untuk penerangan ruang dalam rumah.

### Bagian-bagian pada gambar

Nomor-nomor dari bagian-bagian perkakas pada gambar sesuai dengan gambar perkakas listrik pada halaman bergambar.

- 1 Pemegang alat kerja
- 2 Selubung pengunci

- 3 Lampu „PowerLight“
- 4 Tombol untuk lampu „PowerLight“\*\*
- 5 Tampilan kecepatan putaran\*\*
- 6 Tombol untuk pilihan kecepatan putaran elektronik\*\*
- 7 Tombol pelepas baterai
- 8 Baterai
- 9 Omsakelar arah putaran
- 10 Tombol untuk menghidupkan dan mematikan
- 11 Petanda keberisian baterai
- 12 Pegangan (genggaman terisolir)
- 13 Bit dua sisi\*
- 14 Pemegang mata obeng bit\*
- 15 Mata obeng bit\*
- 16 Alat kerja (mis. kunci sok)\*
- 17 Jepitan tempat menggantungkan\*
- 18 Pegangan\*
- 19 Klik warna\*

\*Aksesori yang ada pada gambar atau yang dijelaskan, tidak termasuk pasokan standar. Semua aksesori yang ada bisa Anda lihat dalam program aksesori Bosch.

\*\* bukan pada perkakas listrik dengan nomor kode 3 601 JEO 0F0 dan 3 601 JEO 1F0

### Data teknis

Obeng elektro dengan getaran pakai aki		GDR 10,8 V-EC	GDR 10,8 V-EC	GDS 10,8 V-EC	GDS 10,8 V-EC
Nomor model		3 601 JEO 0..	3 601 JEO 0F0	3 601 JEO 1..	3 601 JEO 1F0
Tegangan nominal	V=	10,8	10,8	10,8	10,8
Kecepatan putaran tanpa beban	min <sup>-1</sup>	-	0 – 2600	-	0 – 2600
Kecepatan putaran tanpa beban					
- Penyetelan 1	min <sup>-1</sup>	0 – 1200	-	0 – 1200	-
- Penyetelan 2	min <sup>-1</sup>	0 – 2600	-	0 – 2600	-
Banyaknya getaran	min <sup>-1</sup>	-	0 – 3100	-	0 – 3100
Banyaknya getaran					
- Penyetelan 1	min <sup>-1</sup>	0 – 2700	-	0 – 2700	-
- Penyetelan 2	min <sup>-1</sup>	0 – 3100	-	0 – 3100	-
Momen putar maks. penyekrupan ketat menurut ISO 5393	Nm	110	110	115	115
Ø-sekrup berkepala segi enam	mm	M4 – M12	M4 – M12	M4 – M12	M4 – M12
Ø-sekrup maks.	mm	8	8	8	8
Pemegang alat kerja		¼" Kunci mur dalam	¼" Kunci mur dalam	■ 3/8"	■ 3/8"
Berat sesuai dengan EPTA-Procedure 01:2014	kg	0.92 - 1.1	0.92 - 1.1	0.91 - 1.1	0.91 - 1.1

## 36 | Bahasa Indonesia

**Baterai**

Suhu sekitar yang diizinkan		
– saat melakukan pengisian	°C	0 ... + 45
– saat pengoperasian*	°C	– 20 ... + 50
– saat penyimpanan	°C	– 20 ... + 60
Baterai yang disarankan		GBA 10,8V x,xAh 0–.

\* daya dibatasi pada suhu &lt; 0 °C

## Cara memasang

### Cara mengeluarkan baterai (lihat gambar A)

- ▶ **Gunakanlah hanya alat-alat pencas baterai yang disebutkan pada halaman aksesori.** Hanya alat-alat pencas baterai ini yang dicocokkan pada baterai ion-Li yang diperlukan bagi perkakas listrik Anda.

**Petunjuk:** Baterai dipasang dalam keadaan diisi sebagian. Untuk menjamin daya penuh dari baterai, sebelum penggunaannya untuk pertama kalinya, isikanlah baterai sampai penuh sama sekali di dalam alat pencas baterai.

Baterai ion-Li bisa diisi sewaktu-waktu, tanpa mengurangi daya tahannya. Baterai tidak menjadi rusak jika pengisiannya dihentikan untuk sementara waktu.

Baterai ion-Li dilindungi terhadap pengosongan sama sekali oleh „Electronic Cell Protection (ECP)“. Jika baterai kosong perkakas listrik dimatikan oleh pengaman: alat kerja berhenti memutar.

- ▶ **Lepaskan tekanan pada tombol untuk menghidupkan dan mematikan mesin, jika perkakas listrik mati secara otomatis.** Jika tombol ditekan terus, baterai bisa menjadi rusak.

Untuk mengeluarkan baterai **8** tekan tombol pelepas baterai **7** dan tariklah baterai ke bawah supaya ke luar dari perkakas listrik. **Janganlah melakukannya dengan paksaan.**

Perhatikanlah petunjuk-petunjuk untuk membuang.

### Mengganti alat kerja

- ▶ **Sebelum melakukan semua pekerjaan pada perkakas listrik (misalnya merawat, mengganti alat kerja dsb.) serta selama transpor atau penyimpanan, keluarkanlah baterai dari perkakas listrik.** Jika tombol untuk menghidupkan dan mematikan digerakkan tanpa sengaja, bisa terjadi luka-luka.
- ▶ **Bersihkan lubang-lubang ventilasi pada perkakas listrik Anda secara berkala.** Kipas angin motor menarik debu ke dalam rumahan dan debu logam dalam jumlah yang besar dan listrik bisa mengakibatkan bahaya.

### GDR 10,8 V-EC:

#### Memasang alat kerja (lihat gambar B)

Tariklah selubung pengunci **2** ke depan, dorongkan alat kerja sampai batas ke dalam pemegang alat kerja **1** dan lepaskan kembali selubung pengunci **2** untuk mengancing alat kerja.

Anda dapat memasang mata obeng bit **15** pada penahan mata bit universal dengan selubung pengunci **14**.

### Mengeluarkan alat kerja

Tariklah selubung pengunci **2** ke depan dan keluarkan alat kerja.

### GDS 10,8 V-EC: (lihat gambar C)

- ▶ **Jika memasang alat kerja, perhatikanlah supaya alat kerja duduk secara aman pada pemegang alat kerja.**

Jika alat kerja tidak dipegang secara aman oleh pemegang alat kerja, alat kerja dapat terlepas selama penyekrupan.

Dorongkan alat kerja **16** pada segi empat dari pemegang alat kerja **1**.

Berdasarkan sistemnya, alat kerja **16** duduk secara longgar pada pemegang alat kerja **1**; hal ini tidak mempengaruhi fungsi/keamanannya.

## Penggunaan

### Cara berfungsinya

Pemegang alat kerja **1** dan alat kerjanya dikerahkan oleh motor elektro yang dilengkapi dengan transmisi dan alat penggetar.

Kejadian pelaksanaan terdiri dari dua tahap:

**memutar** dan **mengunci** (alat penggetar beraksi).

Alat penggetar mulai beraksi setelah sekrup mulai terkunci dan motor dibebani. Dengan demikian alat penggetar mengubah daya motor menjadi getaran putar yang berkekuatan sama. Pada waktu memutar keluar sekrup, fungsinya seperti ini tetapi dalam urutan terbalik.

### Cara penggunaan

#### Memasang baterai

- ▶ **Gunakanlah hanya baterai ion-Li yang asli dari Bosch dengan tegangan yang tercantum pada label tipe perkakas listrik Anda.** Penggunaan baterai-baterai lainnya bisa menyebabkan terjadinya luka-luka dan bahaya kebakaran.

Setelkan omsakelar arah putaran **9** pada posisi tengah, untuk melindungi perkakas listrik supaya tidak bisa dihidupkan secara tidak disengaja.

Dorongkan baterai yang sudah diisi **8** dari depan ke dalam kaki dari perkakas listrik, sampai baterai terkancing secara teguh.

#### Menyetel arah putaran (lihat gambar D)

Dengan omsakelar arah putaran **9** Anda bisa merubah arah putaran dari perkakas listrik. Akan tetapi ini tidak mungkin jika tombol untuk menghidupkan dan mematikan mesin **10** sedang ditekan.

**Arah putaran ke kanan:** untuk memutar masuk sekrup dan mengencangkan mur, tekan omsakelar arah putaran **9** ke kiri sampai batas.

**Arah putaran ke kiri:** untuk melepaskan atau memutar ke luar sekrup dan mur, tekan omsakelar arah putaran **9** ke kanan sampai batas.

#### Menghidupkan/mematikan

Untuk **menghidupkan**, tekan tombol untuk menghidupkan dan mematikan **10** dan tahan tekanan.

Untuk **mematikan** perkakas listrik, lepaskan tombol untuk menghidupkan dan mematikan **10**.

#### Menyetel kecepatan putaran

Anda bisa menyetel kecepatan putaran tanpa tingkatan pada perkakas listrik yang hidup, tergantung dari tekanan pada tombol untuk menghidupkan dan mematikan mesin **10**.

Tekanan ringan pada tombol **10** mengakibatkan kecepatan putaran yang rendah. Tekanan yang lebih besar mengakibatkan kecepatan putaran yang lebih tinggi.

#### Penyetelan pendahuluan kecepatan putaran/banyaknya getaran (bukan pada perkakas listrik dengan nomor kode 3 601 JEO 0F0 dan 3 601 JEO 1F0)

Dengan menggunakan tombol **6** Anda juga dapat memilih kecepatan putaran/kecepatan pukulan dalam 2 tingkat. Tekanlah tombol **6** sesering mungkin hingga setelan yang diinginkan ditunjukkan dalam tampilan kecepatan putaran **5**. Setelan yang dipilih sudah disimpan.

Kecepatan putaran/banyaknya getaran yang dibutuhkan tergantung dari bahan yang dikerjakan dan macam pekerjaan dan bisa didapatkan dengan melakukan uji coba sebelumnya.

#### Mematikan/menyalakan lampu „PowerLight“ (bukan pada perkakas listrik dengan nomor kode 3 601 JEO 0F0 dan 3 601 JEO 1F0)

Untuk **menyalakan** lampu **3**, tekan tombol **4**. Bila lampu **3** ingin **dimatikan**, tekan kembali tombol **4**.

#### Petanda keberisian baterai

Petanda keberisian aki **11** jika tombol untuk menghidupkan dan mematikan **10** ditekan setengah atau seluruhnya, untuk beberapa detik menunjukkan keberisian aki dan terdiri dari 3 LED berwarna hijau.

LED	Kapasitas
Lampu menetap 3 x hijau	≥ 2/3
Lampu menetap 2 x hijau	≥ 1/3
Lampu menetap 1 x hijau	< 1/3
Lampu berkedip-kedip 1 x hijau	cadangan

#### Perlindungan terhadap pembebanan yang terlalu berat yang tergantung suhu

Pada penggunaan normal perkakas listrik tidak akan kelebihan beban. Pada saat kelebihan beban atau temperatur baterai melebihi batas yang diizinkan antara 0 – 70 °C, daya output akan berkurang atau perkakas listrik akan dimatikan. Perkakas listrik akan menyala kembali setelah mencapai temperatur baterai yang diinginkan dengan daya output penuh.

#### Petunjuk-petunjuk untuk pemakaian

► **Pasangkan perkakas listrik pada mur/sekrop hanya jika perkakas listrik dalam keadaan mati.** Alat kerja-alat kerja yang berputar bisa meleset.

Momen putar yang tercapai tergantung dari lamanya penggunaan getaran. Momen putar maksimal adalah jumlah hasil momen putar-momen putar setiap pukulan (getaran). Momen putar maksimal tercapai setelah penggunaan getaran

selama 6 – 10 detik. Setelah ini momen putar hampir tidak dapat diperbesar lagi.

Lamanya penggunaan getaran harus diperiksa untuk setiap momen kunci yang diperlukan. Momen kunci yang telah dicapai harus selalu diperiksa dengan kunci momen.

#### Penyekrupan pada kedudukan ketat, pegas atau lunak

Jika dalam uji coba diukur momen putar-momen putar yang tercapai dengan suatu deretan getaran dan dimuatkan dalam diagram, maka hasilnya adalah grafik momen putar yang spesifik. Ketinggian grafik tersebut menggambarkan momen putar maksimum yang tercapai, tanjakan grafik tersebut menggambarkan lamanya waktu hingga tercapai momen tersebut.

Grafik momen putar yang spesifik tergantung dari faktor-faktor sebagai berikut:

- kekerasan baut/mur
- jenis lapisan pada baut (ring pelat, ring pegas piring, paking)
- kekerasan benda yang akan dihubungkan dengan baut atau sekrop
- keadaan pelumasan pada baut atau sekrop

Berdasarkan hal tersebut penggunaannya adalah sebagai berikut:

- **Kedudukan ketat** ada pada penyekrupan logam pada logam dengan memakai ring pelat. Setelah waktu penggunaan getaran yang relatif pendek tercapai momen putar maksimal (tanjakan grafik yang tajam). Penggunaan getaran terlalu lama yang tidak diperlukan malah merusakkan mesin.
- **Kedudukan pegas** ada pada penyekrupan logam pada logam yang memakai ring fer, ring pegas piring, baut stud atau baut-baut/mur-mur dengan kedudukan yang tirus serta jika digunakan baut-baut penyambung.
- **Kedudukan lunak** ada pada penyekrupan misalnya logam pada kayu atau jika dipakai ring-ring pelat dari timbel atau bahan paking seperti fiber.

Pada kedudukan pegas atau lunak momen kunci maksimal adalah lebih rendah daripada pada kedudukan ketat. Selain itu diperlukan waktu getaran yang lebih lama.

**38 | Bahasa Indonesia****Pedoman momen kunci maksimum pada baut**

Nilai dalam Nm, dihitung dari penampang lintang; menggunakan 90 % dari batas renggang (pada faktor gesekan  $\mu_{\text{jumlah}} = 0,12$ ). Untuk mengontrol, periksalah selalu momen kunci dengan kunci momen.

Kelas daya tahan menurut norma DIN 267	Baut-baut dengan daya tahan standar								Baut-baut dengan daya tahan yang amat tinggi		
	3.6	4.6	5.6	4.8	6.6	5.8	6.8	6.9	8.8	10.9	12.9
M 6	2.71	3.61	4.52	4.8	5.42	6.02	7.22	8.13	9.7	13.6	16.2
M 8	6.57	8.7	11	11.6	13.1	14.6	17.5	19.7	23	33	39
M 10	13	17.5	22	23	26	29	35	39	47	65	78
M 12	22.6	30	37.6	40	45	50	60	67	80	113	135
M 14	36	48	60	65	72	79	95	107	130	180	215
M 16	55	73	92	98	110	122	147	165	196	275	330

**Tips**

Sebelum memutar masuk sekrup yang besar dan panjang ke dalam bahan yang keras, buatlah dahulu lubang bor dengan diameter inti dari ulir dengan panjang kira-kira  $\frac{2}{3}$  dari panjang sekrup.

**Petunjuk:** Perhatikanlah supaya benda-benda kecil dari logam tidak masuk ke dalam perkakas listrik.

**Jepitan tempat menggantungkan (lihat gambar E)**

Dengan jepitan tempat menggantungkan **17**, Anda bisa menggantungkan perkakas listrik, misalnya pada satu tali pengikat. Dengan demikian Anda tidak perlu memegang perkakas listrik dan perkakas listrik tetap berada di dekat Anda.

**Pegangan (lihat gambar F)**

Dengan menggunakan pegangan **18** Anda bisa menggantungkan perkakas listrik, misalnya pada kait pegas. Dengan demikian Anda tidak perlu memegang perkakas listrik dan perkakas listrik tetap berada di dekat Anda.

**Klip warna (lihat gambar G)**

Dengan menggunakan klip warna **19** Anda dapat menandai setiap perkakas listrik.

**Petunjuk-petunjuk untuk penanganan baterai yang optimal**

Lindungilah baterai terhadap kelembaban dan air. Simpankanlah baterai hanya pada tingkatan suhu antara 0 °C dan 50 °C. Janganlah membiarkan baterai di dalam mobil, misalnya selama musim panas.

Bersihkanlah lubang-lubang ventilasi dari baterai dengan kuas yang lunak, bersih dan kering secara berkala.

Jika setelah diisi waktu pemakaian baterai semakin pendek, ini petanda bahwa baterai sudah aus dan harus diganti.

Perhatikanlah petunjuk-petunjuk untuk membuang.

**Rawatan dan servis****Rawatan dan kebersihan**

► **Sebelum melakukan semua pekerjaan pada perkakas listrik (misalnya merawat, mengganti alat kerja dsb.) serta selama transpor atau penyimpanan, keluarkanlah baterai dari perkakas listrik.** Jika tombol

untuk menghidupkan dan mematikan digerakkan tanpa sengaja, bisa terjadi luka-luka.

► **Perkakas listrik dan lubang ventilasi harus selalu dibersihkan supaya perkakas bisa digunakan dengan baik dan aman.**

**Layanan pasca beli dan konseling terkait pengoperasian**

Layanan pasca beli Bosch menjawab semua pertanyaan Anda terkait reparasi dan maintenance serta suku cadang produk ini. Gambar tiga dimensi dan informasi terkait suku cadang dapat Anda lihat di:

**www.bosch-pt.com**

Tim konseling pengoperasian dari Bosch dengan senang hati membantu Anda, jika Anda hendak bertanya tentang produk-produk kami dan aksesorisnya.

Jika Anda hendak menanyakan sesuatu atau memesan suku cadang, sebutkan selalu nomor model yang terdiri dari 10 angka dan tercantum pada label tipe perkakas.

**Indonesia**

PT Robert Bosch  
Palma Tower 9<sup>th</sup> & 10<sup>th</sup> Floor  
Jl. Let. Jend. TB Simatupang II S/06  
Jakarta Selatan 12960  
Indonesia  
Tel.: (021) 3005 6565  
Fax: (021) 3005 5801  
E-Mail: boschpowertools@id.bosch.com  
www.bosch-pt.co.id

**Transpor**

Pada baterai-baterai ion-Li yang digunakan diterapkan persyaratan terkait peraturan-peraturan tentang bahan-bahan yang berbahaya. Baterai-baterai dapat diangkut oleh penggunaannya di jalanan tanpa harus memenuhi syarat-syarat tertentu.

Pada pengiriman oleh pihak ketiga (misalnya transportasi dengan pesawat udara atau perusahaan ekspedisi) harus ditaati syarat-syarat terkait kemasan dan pemberian tanda. Dalam hal ini, untuk mempersiapkan transportasi harus diminta dukungan seorang ahli bahan-bahan berbahaya.

Kirimkan baterai hanya jika rumahnya tidak rusak. Kontak-kontak yang terbuka harus ditutupi dengan pita perekat dan

kemaskan baterai sedemikian, sehingga baterai tidak bergerak-gerak di dalam kemasan.  
Tautilah peraturan-peraturan nasional lainnya yang mungkin lebih rinci yang berlaku di negara Anda.

### Cara membuang



Semua perkakas listrik, baterai, aksesoris dan kemasan sebaiknya didaur ulangkan sesuai dengan upaya untuk melindungi lingkungan hidup.

Janganlah membuang perkakas listrik, baterai isi ulang/baterai ke dalam sampah rumah tangga!

### Baterai isi ulang/Baterai:



#### Ion-Li:

Perhatikanlah petunjuk-petunjuk dalam bab „Transport“, halaman 38.

Perubahan dapat terjadi tanpa pemberitahuan sebelumnya.

## Tiếng Việt

### Các Nguyên Tắc An Toàn

#### Cảnh báo tổng quát cách sử dụng an toàn dụng cụ điện cầm tay

**⚠ CẢNH BÁO** Đọc kỹ mọi cảnh báo an toàn và hướng dẫn. Không tuân thủ mọi cảnh báo và hướng dẫn được liệt kê dưới đây có thể bị điện giật, gây cháy và/hay bị thương tật nghiêm trọng.

#### Hãy giữ tất cả tài liệu về cảnh báo và hướng dẫn để tham khảo về sau.

Thuật ngữ “dụng cụ điện cầm tay” trong phần cảnh báo là để cập đến sự sử dụng dụng cụ điện cầm tay của bạn, loại sử dụng điện nguồn (có dây cắm điện) hay vận hành bằng pin (không dây cắm điện).

#### Khu vực làm việc an toàn

- ▶ **Giữ nơi làm việc sạch và đủ ánh sáng.** Nơi làm việc bừa bộn và tối tăm dễ gây ra tai nạn.
- ▶ **Không vận hành dụng cụ điện cầm tay trong môi trường dễ gây nổ, chẳng hạn như nơi có chất lỏng dễ cháy, khí đốt hay rác.** Dụng cụ điện cầm tay tạo ra các tia lửa nên có thể làm rác bén cháy hay bốc khói.
- ▶ **Không để trẻ em hay người đến xem đứng gần khi vận hành dụng cụ điện cầm tay.** Sự phân tâm có thể gây ra sự mất điều khiển.

#### An toàn về điện

- ▶ **Phích cắm của dụng cụ điện cầm tay phải thích hợp với ổ cắm.** Không bao giờ được cài

**biến lại phích cắm dưới mọi hình thức. Không được sử dụng phích tiếp hợp nối tiếp đất (dây mát).** Phích cắm nguyên bản và ổ cắm đúng loại sẽ làm giảm nguy cơ bị điện giật.

- ▶ **Tránh không để thân thể tiếp xúc với đất hay các vật có bề mặt tiếp đất như đường ống, lò sưởi, hàng rào và tủ lạnh.** Có nhiều nguy cơ bị điện giật hơn nếu cơ thể bạn bị tiếp hay nối đất.
- ▶ **Không được để dụng cụ điện cầm tay ngoài mưa hay ở tình trạng ẩm ướt.** Nước vào máy sẽ làm tăng nguy cơ bị điện giật.
- ▶ **Không được lạm dụng dây dẫn điện.** Không bao giờ được nắm dây dẫn để xách, kéo hay rút phích cắm dụng cụ điện cầm tay. Không để dây gần nơi có nhiệt độ cao, dầu nhớt, vật nhọn bén hay bộ phận chuyển động. Làm hỏng hay cuộn rối dây dẫn làm tăng nguy cơ bị điện giật.
- ▶ **Khi sử dụng dụng cụ điện cầm tay ngoài trời, dùng dây nối thích hợp cho việc sử dụng ngoài trời.** Sử dụng dây nối thích hợp cho việc sử dụng ngoài trời làm giảm nguy cơ bị điện giật.
- ▶ **Nếu việc sử dụng dụng cụ điện cầm tay ở nơi ẩm ướt là không thể tránh được, dùng thiết bị ngắt mạch tự động (RCD) bảo vệ nguồn.** Sử dụng thiết bị thiết bị ngắt mạch tự động RCD làm giảm nguy cơ bị điện giật.

#### An toàn cá nhân

- ▶ **Hãy tỉnh táo, biết rõ mình đang làm gì và hãy sử dụng ý thức khi vận hành dụng cụ điện cầm tay.** Không sử dụng dụng cụ điện cầm tay khi đang mệt mỏi hay đang bị tác động do chất gây nghiện, rượu hay dược phẩm gây ra. Một thoáng mất tập trung khi đang vận hành dụng cụ điện cầm tay có thể gây thương tích nghiêm trọng cho bản thân.
- ▶ **Sử dụng trang bị bảo hộ cá nhân. Luôn luôn đeo kính bảo vệ mắt.** Trang bị bảo hộ như khẩu trang, giày chống trượt, nón bảo hộ, hay dụng cụ bảo vệ tai khi được sử dụng đúng nơi đúng chỗ sẽ làm giảm nguy cơ thương tật cho bản thân.
- ▶ **Phòng tránh máy khởi động bất ngờ. Bảo đảm công tắc máy ở vị trí tắt trước khi cắm vào nguồn điện và/hay lắp pin vào, khi nhắc máy lên hay khi mang xách máy.** Ngáng ngón tay vào công tắc máy để xách hay kích hoạt dụng cụ điện cầm tay khi công tắc ở vị trí mở dễ dẫn đến tai nạn.
- ▶ **Lấy mọi chìa hay khóa điều chỉnh ra trước khi mở điện dụng cụ điện cầm tay.** Khóa hay chìa còn gắn dính vào bộ phận quay của dụng cụ điện cầm tay có thể gây thương tích cho bản thân.
- ▶ **Không rướn người. Luôn luôn giữ tư thế đứng thích hợp và thẳng bằng.** Điều này tạo cho việc

## 40 | Tiếng Việt

điều khiển dụng cụ điện cầm tay tốt hơn trong mọi tình huống bất ngờ.

- ▶ **Trang phục thích hợp. Không mặc quần áo rộng thùng thình hay mang trang sức. Giữ tóc, quần áo và găng tay xa khỏi các bộ phận chuyển động.** Quần áo rộng thùng thình, đồ trang sức hay tóc dài có thể bị cuốn vào các bộ phận chuyển động.
- ▶ **Nếu có các thiết bị đi kèm để nối máy hút bụi và các phụ kiện khác, bảo đảm các thiết bị này được nối và sử dụng tốt.** Việc sử dụng các thiết bị gom hút bụi có thể làm giảm các độc hại liên quan đến bụi gây ra.

### Sử dụng và bảo dưỡng dụng cụ điện cầm tay

- ▶ **Không được ép máy. Sử dụng dụng cụ điện cầm tay đúng loại theo đúng ứng dụng của bạn.** Dụng cụ điện cầm tay đúng chức năng sẽ làm việc tốt và an toàn hơn theo đúng tiến độ mà máy được thiết kế.
- ▶ **Không sử dụng dụng cụ điện cầm tay nếu như công tắc không tắt và mở được.** Bất kỳ dụng cụ điện cầm tay nào mà không thể điều khiển được bằng công tắc là nguy hiểm và phải được sửa chữa.
- ▶ **Rút phích cắm ra khỏi nguồn điện và/hay pin ra khỏi dụng cụ điện cầm tay trước khi tiến hành bất kỳ điều chỉnh nào, thay phụ kiện, hay cất dụng cụ điện cầm tay.** Các biện pháp ngăn ngừa như vậy làm giảm nguy cơ dụng cụ điện cầm tay khởi động bất ngờ.
- ▶ **Cất giữ dụng cụ điện cầm tay không dùng tới nơi trẻ em không lấy được và không cho người chưa từng biết dụng cụ điện cầm tay hay các hướng dẫn này sử dụng dụng cụ điện cầm tay.** Dụng cụ điện cầm tay nguy hiểm khi ở trong tay người chưa được chỉ cách sử dụng.
- ▶ **Bảo quản dụng cụ điện cầm tay. Kiểm tra xem các bộ phận chuyển động có bị sai lệch hay kẹt, các bộ phận bị rạn nứt và các tình trạng khác có thể ảnh hưởng đến sự vận hành của**

**máy. Nếu bị hư hỏng, phải sửa chữa máy trước khi sử dụng.** Nhiều tai nạn xảy ra do bảo quản dụng cụ điện cầm tay tồi.

- ▶ **Giữ các dụng cụ cất bên và sạch.** Bảo quản đúng cách các dụng cụ cất có cạnh sắc bén làm giảm khả năng bị kẹt và dễ điều khiển hơn.
- ▶ **Sử dụng dụng cụ điện cầm tay, phụ kiện, đầu cài v. v., đúng theo các chỉ dẫn này, hãy lưu ý đến điều kiện làm việc và công việc phải thực hiện.** Sử dụng dụng cụ điện cầm tay khác với mục đích thiết kế có thể tạo nên tình huống nguy hiểm.

### Sử dụng và bảo quản dụng cụ dùng pin

- ▶ **Chỉ được sạc pin lại với bộ nạp điện do nhà sản xuất chỉ định.** Bộ nạp điện thích hợp cho một loại pin có thể gây nguy cơ cháy khi sử dụng cho một loại pin khác.
- ▶ **Chỉ sử dụng dụng cụ điện cầm tay với loại pin được thiết kế đặc biệt dành riêng cho máy.** Sử dụng bất cứ loại pin khác có thể dẫn đến thương tật hay cháy.
- ▶ **Khi không sử dụng pin, để cách xa các vật bằng kim loại như kẹp giấy, tiền xu, chìa khóa, đinh, ốc vít hay các đồ vật kim loại nhỏ khác, thứ có thể tạo sự nối tiếp từ một đầu cực với một đầu cực khác.** Sự chập mạch của các đầu cực với nhau có thể gây bỏng hay cháy.
- ▶ **Bảo quản ở tình trạng tối, dung dịch từ pin có thể tứa ra; tránh tiếp xúc. Nếu vô tình chạm phải, hãy xối nước để rửa. Nếu dung dịch vào mắt, cần thêm sự hỗ trợ của y tế.** Dung dịch tiết ra từ pin có thể gây ngứa hay bỏng.

### Bảo dưỡng

- ▶ **Đưa dụng cụ điện cầm tay của bạn đến thợ chuyên môn để bảo dưỡng, chỉ sử dụng phụ tùng đúng chủng loại để thay.** Điều này sẽ đảm bảo sự an toàn của máy được giữ nguyên.

### Các Cảnh Báo An Toàn cho Cẩn Xiết Lực

- ▶ **Nắm giữ dụng cụ điện nơi phần nắm cách điện khi thực hiện việc gia công nơi chi tiết lắp bắt có thể chạm vào dây điện không nhìn thấy được hay chính dây của máy.** Chi tiết lắp bắt chạm dây "có điện" có thể làm cho các bộ phận kim loại không được bao bọc của dụng cụ điện "có điện" và có khả năng gây cho người sử dụng máy bị điện giật.
- ▶ **Kẹp chặt vật gia công.** Vật gia công được kẹp bằng một thiết bị kẹp hay bằng êtô thì vững chắc hơn giữ bằng tay.
- ▶ **Luôn luôn đợi cho máy hoàn toàn ngừng hẳn trước khi đặt xuống.** Dụng cụ lắp vào máy có thể bị kẹp chặt dẫn đến việc dụng cụ điện cầm tay bị mất điều khiển.
- ▶ **Không được tháo pin ra.** Nguy cơ bị chập mạch.



**Bảo vệ pin không để bị làm nóng, ví dụ, chống để lâu dài dưới ánh nắng gay gắt, lửa, nước, và sự ẩm ướt.** Sự nguy hiểm của nổ.

- ▶ **Trong trường hợp pin bị hỏng hay sử dụng sai cách, hơi nước có thể bốc ra. Hãy làm cho thông thoáng khí và trong trường hợp bị đau phải nhờ y tế chữa trị.** Hơi nước có thể gây ngứa hệ hô hấp.



- ▶ **Chỉ sử dụng pin cùng với sản phẩm Bosch của bạn.** Chỉ riêng biện pháp này bảo vệ cho pin chống lại sự nguy hiểm do quá tải.
- ▶ **Pin có thể bị hư hại bởi các vật dụng nhọn như đinh hay tuốc-nơ-vít hoặc bởi các tác động lực từ bên ngoài.** Nó có thể dẫn tới đoản mạch nội bộ và làm pin bị cháy, bốc khói, phát nổ hoặc quá nóng.

## Mô Tả Sản Phẩm và Đặc Tính Kỹ Thuật



**Đọc kỹ mọi cảnh báo an toàn và mọi hướng dẫn.** Không tuân thủ mọi cảnh báo và hướng dẫn được liệt kê dưới đây có thể bị điện giật, gây cháy và/hay bị thương tật nghiêm trọng.

### Dành sử dụng cho

Máy được thiết kế để tháo hoặc bắt vít và bu-loong cũng như để siết hay tháo đai ốc trong phạm vi kích cỡ tương ứng.

Đèn của dụng cụ điện này được xác định dùng để chiếu sáng khu vực làm việc trực tiếp của dụng cụ này và không thích hợp để chiếu sáng phòng trong hộ gia đình.

### Biểu trưng của sản phẩm

Sự đánh số các biểu trưng của sản phẩm là để tham khảo hình minh họa của máy trên trang hình ảnh.

- 1 Phần lắp dụng cụ
- 2 Vòng Khóa
- 3 “PowerLight” (Đèn Chiếu Sáng)
- 4 Phím đèn “PowerLight”\*\*
- 5 Hiển thị chỉ số vòng quay\*\*
- 6 Phím hiển thị số vòng quay điện tử\*\*
- 7 Nút tháo pin
- 8 Pin
- 9 Gạc vận chuyển đổi chiều quay
- 10 Công tắc Tắt/Mở
- 11 Đèn báo sự kiểm soát dòng điện nạp
- 12 Tay nắm (bề mặt nắm cách điện)
- 13 Mũi khoan 2 đầu\*
- 14 Đầu nối phổ thông\*
- 15 Đầu vít\*
- 16 Dụng cụ ứng dụng (vd. khâu hay đầu ống)\*
- 17 Móc cài dây thắt lưng\*
- 18 Kẹp\*
- 19 Kẹp màu\*

\*Phụ tùng được trình bày hay mô tả không phải là một phần của tiêu chuẩn hàng hóa được giao kèm theo sản phẩm. Bạn có thể tham khảo tổng thể các loại phụ tùng, phụ kiện trong chương trình phụ tùng của chúng tôi.

\*\*Không áp dụng với các dụng cụ điện có số tham khảo 3 601 JE0 0F0 và 3 601 JE0 1F0

### Thông số kỹ thuật

Máy Bắt Vít Pin Đập		GDR 10,8 V-EC	GDR 10,8 V-EC	GDS 10,8 V-EC	GDS 10,8 V-EC
Mã số máy		3 601 JE0 0..	3 601 JE0 0F0	3 601 JE0 1..	3 601 JE0 1F0
Điện thế danh định	V=	10,8	10,8	10,8	10,8
Tốc độ không tải	v/p	–	0–2600	–	0–2600
Tốc độ không tải					
– Thiết lập 1	v/p	0–1200	–	0–1200	–
– Thiết lập 2	v/p	0–2600	–	0–2600	–
Tần suất đập	bpm	–	0–3100	–	0–3100
Tần suất đập					
– Thiết lập 1	bpm	0–2700	–	0–2700	–
– Thiết lập 2	bpm	0–3100	–	0–3100	–
Lực xoắn tối đa, ứng dụng cho việc bắt vít vào vật rắn chắc dựa theo tiêu chuẩn ISO 5393	Nm	110	110	115	115
Kích cỡ bu-loong	mm	M4–M12	M4–M12	M4–M12	M4–M12

## 42 | Tiếng Việt

Máy Bật Vít Pin Đập		GDR 10,8 V-EC	GDR 10,8 V-EC	GDS 10,8 V-EC	GDS 10,8 V-EC
Đường kính vít tối đa	mm	8	8	8	8
Phần lắp dụng cụ		1/4"Chìa khóa đầu ống sáu cạnh	1/4"Chìa khóa đầu ống sáu cạnh	■ 3/8"	■ 3/8"
Trọng lượng theo Qui trình EPTA-Procedure 01:2014 (chuẩn EPTA 01:2014)	kg	0.92 - 1.1	0.92 - 1.1	0.91 - 1.1	0.91 - 1.1

## Pin hợp khối

Nhiệt độ môi trường cho phép		
- trong quá trình sạc điện	°C	0...+45
- trong quá trình vận hành*	°C	-20...+50
- trong quá trình lưu trữ	°C	-20...+60
Pin được khuyến dùng		GBA 10,8V x,xAh O-
* hiệu suất giới hạn ở nhiệt độ < 0 °C		

## Sự lắp vào

## Tháo pin ra (xem hình A)

- ▶ **Chỉ nên sử dụng các bộ nạp điện pin được liệt kê trong trang phụ kiện.** Chỉ có các bộ nạp điện pin này mới thích hợp với pin lithium ion dùng cho dụng cụ điện cầm tay của bạn.

**Ghi Chú:** Pin giao kèm máy chỉ được nạp điện một phần. Để đảm bảo pin có đầy đủ điện dung, nạp điện hoàn toàn cho pin bằng bộ nạp điện pin trước khi bạn sử dụng dụng cụ điện cho lần đầu tiên.

Pin Lithium ion có thể nạp điện bất cứ lúc nào mà vẫn không làm giảm tuổi thọ của pin. Sự làm gián đoạn qui trình nạp điện không làm cho pin bị hư hỏng.

Pin Li-on được bảo vệ ngăn sự phóng điện quá lớn nhờ vào "Bộ phận Điện tử Bảo vệ Pin (Electronic Cell Protection = ECP)". Khi pin hết điện, máy tự tắt nhờ vào thiết bị bảo vệ mạch: Dụng cụ đang lắp trong máy dừng quay hẳn.

- ▶ **Không được tiếp tục nhấn vào công tắc Tắt/Mở sau khi máy đã tự động tắt.** Có thể làm cho pin hỏng.

Để lấy pin ra **8** nhấn nút nhà **7** và kéo hết pin xuống. **Không dùng sức.**

Tuân thủ các chú thích dành cho việc tháo bỏ.

## Thay Dụng Cụ

- ▶ **Trước khi tiến hành bất cứ công việc gì với máy (vd., bảo dưỡng, thay dụng cụ v.v..) cũng như khi vận chuyển hay lưu kho, tháo pin ra khỏi dụng cụ điện.** Có nguy cơ gây thương tích khi vô tình làm kích hoạt công tắc Tắt/Mở.

- ▶ **Thường xuyên làm sạch các khe thông gió của dụng cụ điện.** Quạt gió motor sẽ kéo bụi nằm trong vỏ máy ra và sự tích tụ quá nhiều bột kim loại có thể gây nên các nguy hiểm về điện.

## GDR 10,8 V-EC:

## Tra Lắp (xem hình B)

Kéo nhanh vòng khóa **2** về phía trước, rồi đẩy hết dụng cụ vào trong phần cập dụng cụ **1** và thả vòng khóa ra **2** để khóa dụng cụ lắp vào.

Tuốc-nơ-vít **15** có thể được sử dụng qua tuốc-nơ-vít đa điện với đệm hãm **14**.

## Thay ra

Kéo vòng khóa **2** về phía trước và tháo dụng cụ ra.

## GDS 10,8 V-EC: (xem hình C)

- ▶ **Khi làm việc với dụng cụ ứng dụng, hãy lưu ý dụng cụ ứng dụng được gắn chắc chắn vào phần lắp dụng cụ.** Khi dụng cụ ứng dụng không được gắn chắc chắn vào phần lắp dụng cụ, nó có thể tuột ra trong lúc ứng dụng.

Lắp dụng cụ được sử dụng **16** lên trên phần dẫn động vuông của phần lắp dụng cụ **1**.

Mặc dù dựa trên hệ thống, nếu dụng cụ ứng dụng **16** có biểu hiện lắc lư sau khi gắn chắc chắn vào phần lắp dụng cụ **1**; điều này không ảnh hưởng đến sự hoạt động/an toàn.

## Vận Hành

## Cách Thức Hoạt Động

Phần cập dụng cụ **1** có dụng cụ được dẫn động thông qua một mô-tơ điện và sự đập cơ học.

Qui trình hoạt động được chia ra làm hai giai đoạn: **Bắt vào và siết chặt** (chế độ đập đang vận hành).

Sự đập cơ học có tác động ngay khi việc bắt vít vào đã chặt cứng và vì vậy tải trọng được chuyển đặt lên mô-tơ. Ngay tại thời điểm này, tác động đập cơ học chuyển công suất của mô-tơ thành những cú đập xoay tròn đều đặn. Khi tháo vít hay đai ốc ra, qui trình chuyển đổi ngược lại.

## Bắt Đầu Vận Hành

### Lắp Pin Vào

► **Chỉ sử dụng pin Li-on của chính hãng Bosch với điện thế được ghi trên nhãn máy của dụng cụ điện cầm tay của bạn.** Sử dụng các loại pin khác có thể dẫn đến thương tật và gây ra cháy.

Chính đặt gạc chỉ chiều quay **9** về vị trí chính giữa để bảo vệ dụng cụ điện phòng tránh sự khởi động vô tình.

Lắp pin đã được nạp điện **8** từ mặt trước vào trong chân đế dụng cụ điện cho đến khi pin được khóa an toàn lại.

### Đảo Chiều Quay (xem hình D)

Gạc chuyển đổi chiều quay **9** được sử dụng để đảo lại chiều quay của máy. Tuy nhiên, việc này không thể thực hiện được cùng lúc với công tắc Tắt/Mở **10** đang hoạt động.

**Chiều quay phải:** Để bắt vít và siết chặt đai ốc, dẩy gạc chuyển đổi chiều quay **9** hết về trái.

**Chiều Quay Trái:** Để nới hay là tháo vít hay là đai ốc, nhấn gạc chuyển đổi chiều quay **9** qua hết bên phải.

### Bật Mở và Tắt

Để khởi **động máy**, nhấn công tắc Tắt/Mở **10** và nhấn giữ xuống.

Để tắt máy, **nhả** công tắc Tắt/Mở **10** ra.

### Điều chỉnh tốc độ

Tốc độ của dụng cụ điện cầm tay đang hoạt động có thể điều chỉnh thay đổi, tùy theo độ nông sâu của công tắc Tắt/Mở **10** được bóp vào.

Lực nhấn nhẹ lên công tắc Tắt/Mở **10** tạo ra tốc độ quay thấp. Tăng lực nhấn lên công tắc làm tăng tốc độ quay.

### Chọn trước Tốc độ/Tần suất Đập (không áp dụng với các dụng cụ điện có số tham khảo 3 601 JEO 0F0 và 3 601 JEO 1F0)

Với nút **6** bạn có thể chọn chỉ số vòng quay/chỉ số đập ở 2 mức độ. Nhấn nút bàn phím **6** liên tục, cho đến khi thiết lập mong muốn được báo hiệu trên màn hình hiển thị chỉ số vòng quay **5**. Lưu các thiết lập được chọn.

Tốc độ cân có/tần suất đập tùy thuộc vào vật liệu và các điều kiện làm việc, và có thể xác định được thông qua việc chạy thử nghiệm thực tế.

### Bật/tắt đèn "PowerLight" (không áp dụng với các dụng cụ điện có số tham khảo 3 601 JEO 0F0 và 3 601 JEO 1F0)

Để **vận hành** đèn **3** hãy nhấn phím **4**. Để **tắt** đèn **3** hãy nhấn phím **4** một lần nữa.

### Đèn Báo Sự Kiểm Soát Dòng Điện Nạp

Đèn báo sự kiểm soát dòng điện nạp **11** bao gồm ba đèn LED màu xanh lá, và báo tình trạng nạp điện của pin trong vài giây đồng hồ khi công tắc Tắt/Mở **10** được bóp vào nửa chừng hay toàn bộ.

LED	Điện dung
Sáng liên tục 3 x màu xanh lá	≥ 2/3
Sáng liên tục 2 x màu xanh lá	≥ 1/3
Sáng liên tục 1 x màu xanh lá	< 1/3
Chớp sáng 1 x màu xanh lá	Sự Dự Phòng

### Bảo Vệ Chống Quá Tải Dựa Trên Nhiệt Độ

Trong quá trình sử dụng sắp tới, không được để dụng cụ điện bị quá tải. Khi trọng tải quá nặng hoặc vượt qua phạm vi nhiệt độ pin cho phép của 0–70 °C công suất ra sẽ bị giảm hoặc dụng cụ điện sẽ bị tắt. Dụng cụ điện chỉ chạy với công suất ra tối đa sau khi đạt nhiệt độ pin cho phép.

### Hướng Dẫn Sử Dụng

► **Tra dụng cụ điện cầm tay vào vít/đai ốc chỉ khi đã tắt công tắc.** Dụng cụ gắn trong máy đang xoay có thể trượt ra ngoài.

Lực vận tùy thuộc vào khoảng thời gian đập. Lực vận tối đa đạt được là kết quả của tổng số các lực vận riêng lẻ hoàn thành thông qua động tác đập. Lực vận tối đa đạt được sau khoảng thời gian đập là 6–10 giây. Sau khoảng thời gian này, lực siết chặt chỉ tăng thêm ở mức tối thiểu.

Khoảng thời gian đập được xác định cho từng lực siết riêng lẻ cần có. Để biết lực siết thực tế đạt được, luôn luôn kiểm tra bằng một cờ-lê sử dụng lực xoắn.

### Ứng dụng việc bắt vít có Vòng Đệm Cứng, Mém hay Lò Xo Chịu Tải

Khi trong thí nghiệm, lực vận hoàn tất trong một chuỗi đập được đo và chuyển thành biểu đồ, biểu diễn thành đường cong mang đặc tính của lực xoắn. Chiều cao của đường cong tương ứng với lực xoắn tối đa có thể đạt được, và đường đi xuống thể hiện khoảng thời gian trong đó động thái này hoàn thành. Đường biến thiên của lực xoắn dựa trên các yếu tố sau:

- Tính chất bền của vít/đai ốc
- Loại đệm trợ lực (vòng lót, đệm lò xo, vòng đệm kín)
- Tính chất bền của vật liệu được bắt ghép bằng vít/bu-loong
- Tình trạng bôi trơn tại nơi bắt vít/bu-loong

#### 44 | Tiếng Việt

Các trường hợp ứng dụng có kết quả theo tương ứng như sau:

- **Điểm tựa cứng** được dành để ứng dụng cho việc bắt ghép giữa kim loại với kim loại có sử dụng vòng đệm. Sau thời gian đập tương đối ngắn, lực xoắn tối đa hoàn thành (đặt tính của đường cong đi xuống). Không cần phải có khoảng thời gian đập dài vì làm thế chỉ làm cho máy bị hỏng.
- **Điểm tựa có đệm lò xo chịu tải** được dành để ứng dụng cho việc bắt ghép giữa kim loại với kim

loại, tuy nhiên có sử dụng lò xo chịu tải, lò xo mằm, đinh tán hay vít có đế côn cũng như khi sử dụng phần nổi dài.

- **Điểm tựa mềm** được dành để ứng dụng cho việc bắt vít, v.d. kim loại lên gỗ hay khi dùng vòng đệm chì hay đệm lót bằng nhựa để làm thêm chắc.

Đối với điểm tựa có đệm lò xo chịu tải cũng như điểm tựa mềm, lực siết chặt tối đa thấp hơn điểm tựa cứng. Cũng như thế, đương nhiên là cần có khoảng thời gian đập dài hơn.

#### Số Liệu Tham Chiếu Của Lực Siết Tối Đa Dành Cho Vít/Đai Ốc

Được tính từ tiết diện ngang; sự tận dụng điểm ứng suất biến dạng 90 % (với hệ số ma sát  $\mu_{\text{tiếng cọng}} = 0,12$ ). Luôn luôn sử dụng cờ-lê vận hành bằng lực xoắn như một cách để kiểm tra lực siết.

Thuộc tính Chứng loại theo tiêu chuẩn Đức	Vít/Bu-loong tiêu chuẩn										
DIN 267	3.6	4.6	5.6	4.8	6.6	5.8	6.8	6.9	Bu-loong có sức bền cao		
	8.8	10.9	12.9								
M 6	2.71	3.61	4.52	4.8	5.42	6.02	7.22	8.13	9.7	13.6	16.2
M 8	6.57	8.7	11	11.6	13.1	14.6	17.5	19.7	23	33	39
M 10	13	17.5	22	23	26	29	35	39	47	65	78
M 12	22.6	30	37.6	40	45	50	60	67	80	113	135
M 14	36	48	60	65	72	79	95	107	130	180	215
M 16	55	73	92	98	110	122	147	165	196	275	330

#### Mạch nước

Trước khi bắt một vít lớn, dài hơn bình thường vào vật liệu cứng, nên khoan trước một lỗ mỗi có cùng đường kính răng vít vào sâu vào khoảng  $\frac{2}{3}$  của chiều dài vít.

**Ghi Chú:** Hãy lưu ý không để các mảnh nhỏ kim loại lọt vào trong dụng cụ điện.

#### Móc Cài Dây Thất Lưng (xem hình E)

Với móc cài dây thất lưng **17**, máy có thể cài vào dây thất lưng. Hai tay người sử dụng không bị vướng bận và máy thì luôn ở bên cạnh.

#### Kẹp (xem hình F)

Bằng kẹp **18** có thể treo dụng cụ điện vào móc lò xo. Sau đó bạn sẽ có hai tay tự do và dụng cụ điện sẽ luôn luôn dễ sử dụng.

#### Kẹp màu (xem hình G)

Bằng kẹp màu **19** bạn có thể đánh dấu dụng cụ điện từng phần một.

#### Các Khuyến Nghị về Cách Bảo Dưỡng Tốt Nhất cho Pin

Tránh không để pin ở nơi ẩm ướt hoặc có nước.

Chỉ bảo quản pin trong tầm nhiệt độ nằm giữa 0 °C và 50 °C. Ví dụ, không để pin trong xe ô tô vào mùa hè.

Thỉnh thoảng làm sạch các khe thông gió của pin bằng cách dùng một cái cọ khô, mềm và sạch.

Sự giảm thời gian hoạt động một cách rõ rệt sau khi nạp điện chỉ cho thấy rằng pin đã được sử dụng và phải được thay.

Tuân thủ các chú thích dành cho việc thải bỏ.

## Bảo Dưỡng và Bảo Quản

### Bảo Dưỡng Và Làm Sạch

▶ **Trước khi tiến hành bất cứ công việc gì với máy (vd., bảo dưỡng, thay dụng cụ v.v..) cũng như khi vận chuyển hay lưu kho, tháo pin ra khỏi dụng cụ điện.** Có nguy cơ gây thương tích khi vô tình làm kích hoạt công tắc Tắt/Mở.

▶ **Để được an toàn và máy hoạt động đúng chức năng, luôn luôn giữ máy và các khe thông gió được sạch.**

### Dịch Vụ Sau Khi Bán và Dịch Vụ Ứng Dụng

Bộ phận phục vụ hàng sau khi bán của chúng tôi sẽ trả lời các câu hỏi liên quan đến việc bảo trì và sửa chữa các sản phẩm cũng như các phụ tùng thay thế của bạn. Hình ảnh chi tiết và thông tin phụ tùng thay thế có thể tìm hiểu theo địa chỉ dưới đây:

**www.bosch-pt.com**

Bộ phận dịch vụ ứng dụng Bosch sẽ hân hạnh trả lời các câu hỏi liên quan đến các sản phẩm của chúng tôi và linh kiện của chúng.

Trong mọi thư từ giao dịch và đơn đặt hàng phụ tùng, xin vui lòng luôn viết đủ 10 con số đã được ghi trên nhãn máy.

### Việt Nam

Công ty Trách Nhiệm Hữu Hạn Robert Bosch  
Việt Nam, PT/SVN  
Tầng 10, 194 Golden Building  
473 Điện Biên Phủ  
Phường 25, Quận Bình Thạnh  
Thành Phố Hồ Chí Minh  
Việt Nam  
Tel.: (08) 6258 3690 Ext 413  
Fax: (08) 6258 3692  
hieu.lagia@vn.bosch.com  
www.bosch-pt.com

### Vận Chuyển

Pin có chứa lithium-ion là đối tượng phải tuân theo các qui định của Pháp Luật về Hàng Hóa Nguy Hiểm. Người sử dụng có thể vận chuyển pin bằng đường bộ mà không cần có thêm yêu cầu nào khác. Khi được vận chuyển thông qua bên thứ ba (vd. vận chuyển bằng đường hàng không hay đại lý giao nhân), phải tuân theo các yêu cầu đặc biệt về đóng gói và dán nhãn. Để chuẩn bị cho món hàng sẽ được gửi đi, cần tham khảo ý kiến của chuyên gia về vật liệu nguy hiểm.

Chỉ gửi pin đi khi vỏ ngoài không bị hư hỏng. Dán băng keo hay che kín các điểm tiếp xúc để hở và đóng gói pin cách sao cho pin không thể xô dịch khi nằm trong bao bì được.

Cũng xin vui lòng tuân theo qui định chi tiết có thể có của mỗi quốc gia.

### Thải bỏ



Máy, pin nạp điện lại được, phụ kiện và bao bì phải được phân loại để tái chế theo hướng thân thiện với môi trường.

Không được vứt bỏ dụng cụ điện, pin/pin nạp điện lại được vào chung với rác sinh hoạt!

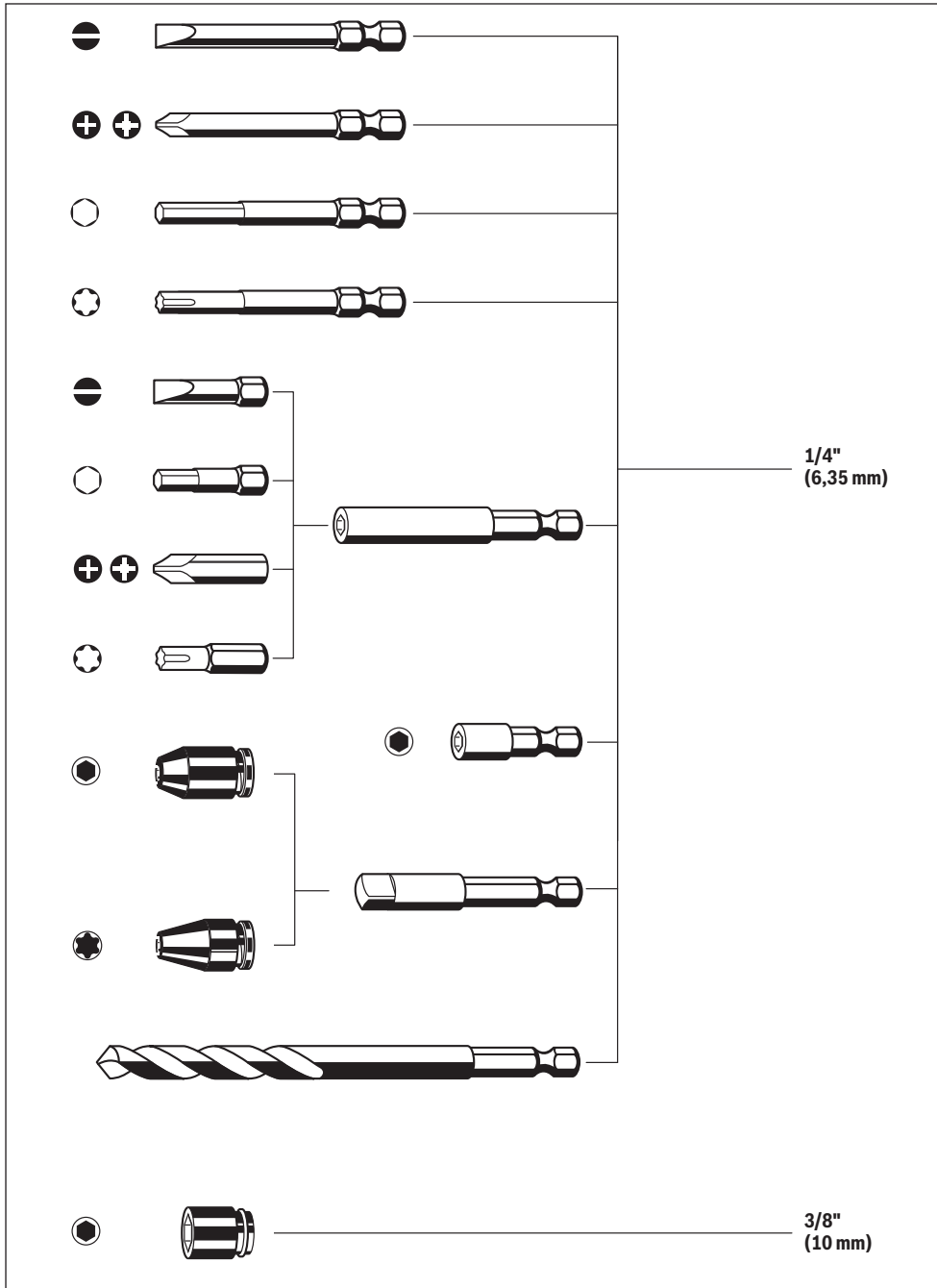
### Pin lỏng/pin:

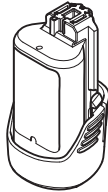


### Li-ion:

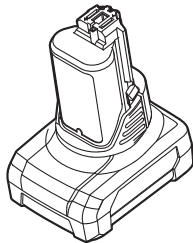
Xin vui lòng tuân thủ theo thông tin dưới đây "Vận Chuyển", trang 45.

**Được quyền thay đổi nội dung mà không phải thông báo trước.**

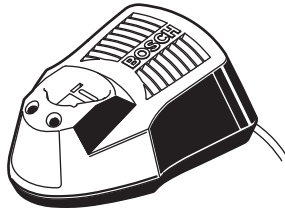




**GBA 10,8 V x,xAh O-.**



**GBA 10,8 V x,xAh O-.**



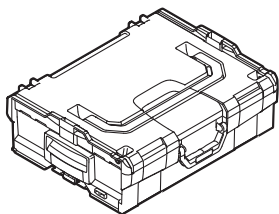
**AL 1130 CV  
(10,8 V)**

1 600 Z00 01P (AU)  
1 600 A00 16L (KO)  
1 600 A00 16M (JP)  
1 600 A00 16N (CN)  
1 600 A00 16P (TW)  
1 600 A00 16 R (IN)  
1 600 A00 16S (MY, SG)

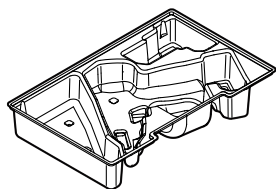


**AL 1115 CV  
(10,8 V)**

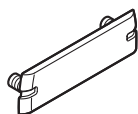
2 607 225 514 (IN)  
2 607 225 516 (MY, SG)  
2 607 225 518 (AU)  
2 607 225 522 (TW)  
2 607 225 524 (JP)  
2 607 225 526 (KO)  
2 607 225 530 (CN)



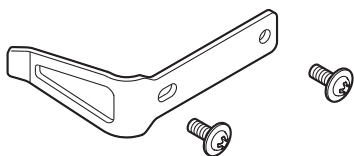
1 600 A00 1DZ  
(L-BOXX 136)



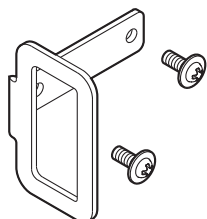
6 082 850 564



2 609 101 282 (Blue)  
2 609 101 316 (Red)  
2 609 101 316 (Black)  
2 609 101 394 (Grey)



2 609 111 710



2 609 111 709