

Robert Bosch Power Tools GmbH
70538 Stuttgart
GERMANY

www.bosch-pt.com

1 609 92A 1VB (2015.01) | / 38 Asia



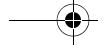
1 609 92A 1VB

GSA 1300 PCE Professional

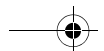
 **BOSCH**

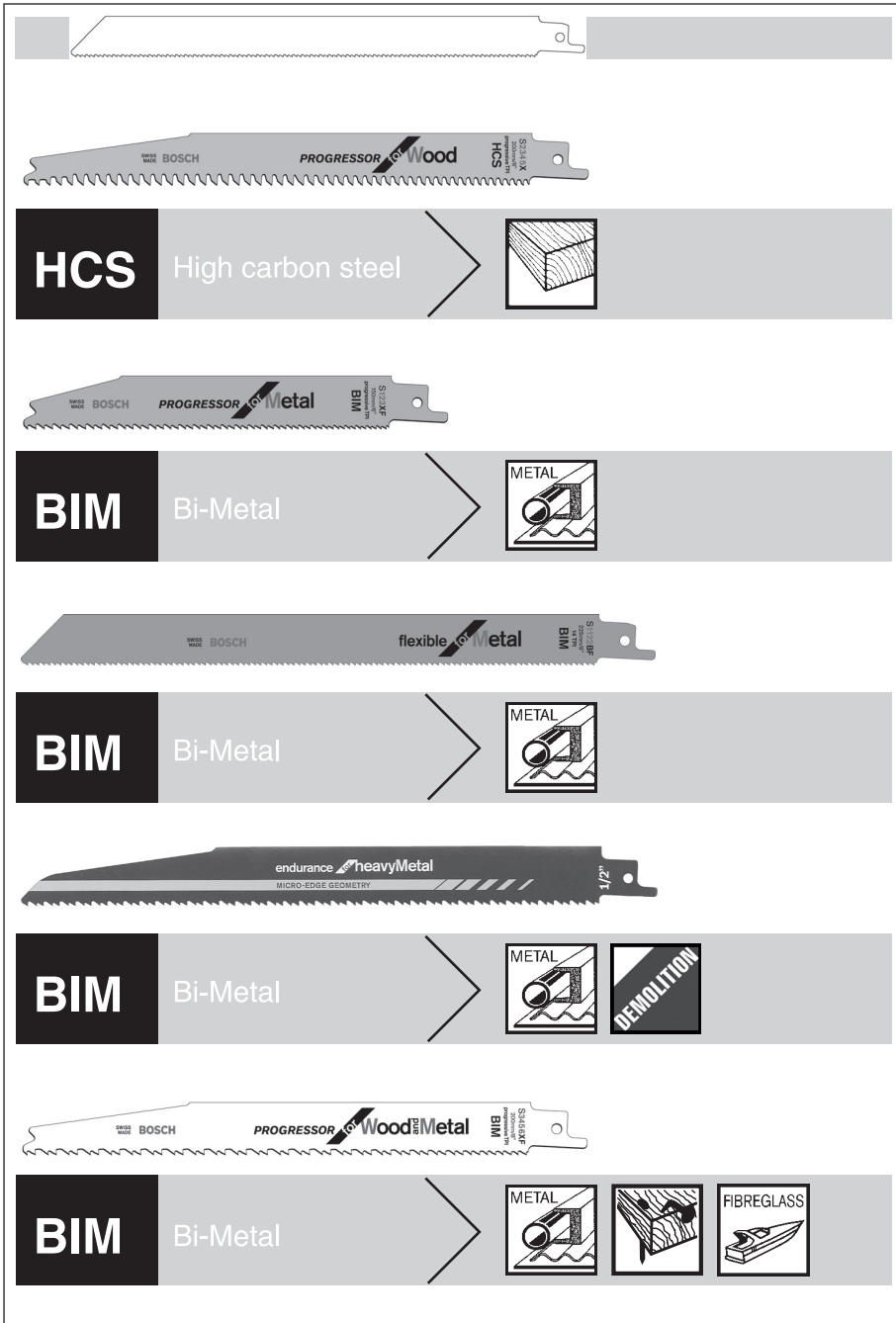
- en** Original instructions
- cn** 正本使用说明书
- tw** 原始使用說明書
- ko** 사용 설명서 원본
- th** หนังสือคู่มือการใช้งานฉบับต้นแบบ
- id** Petunjuk-Petunjuk untuk Penggunaan Orisinal
- vi** Bản gốc hướng dẫn sử dụng

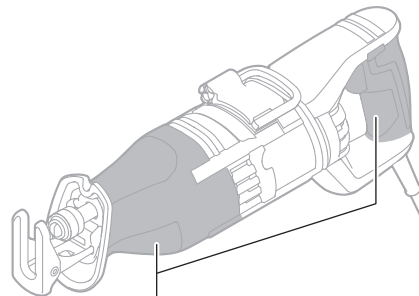
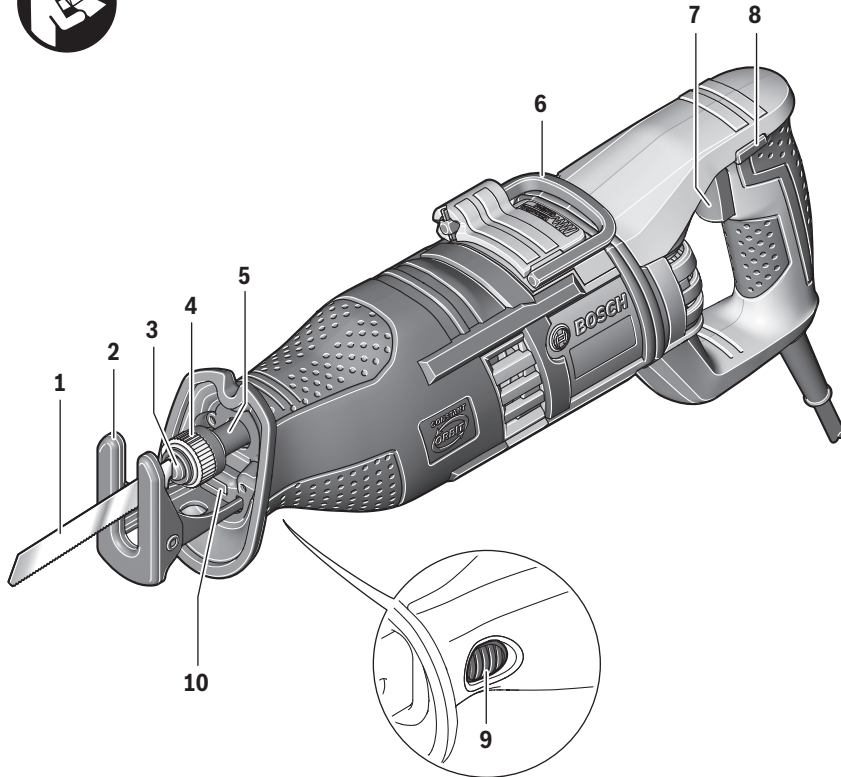




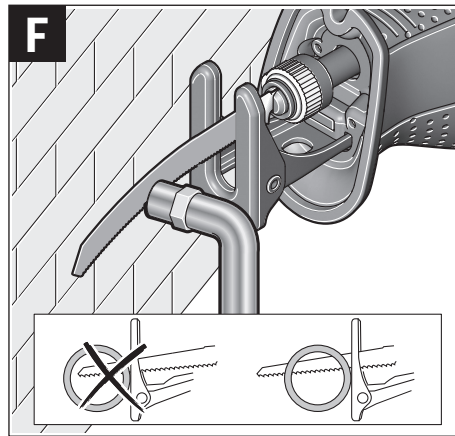
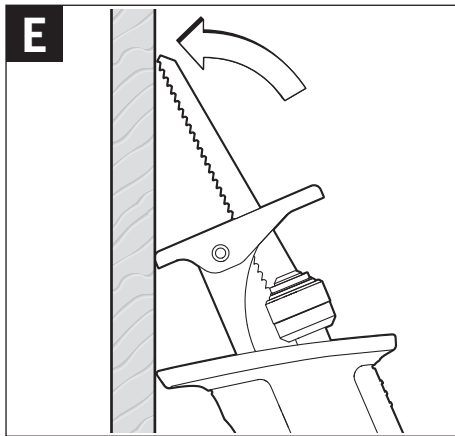
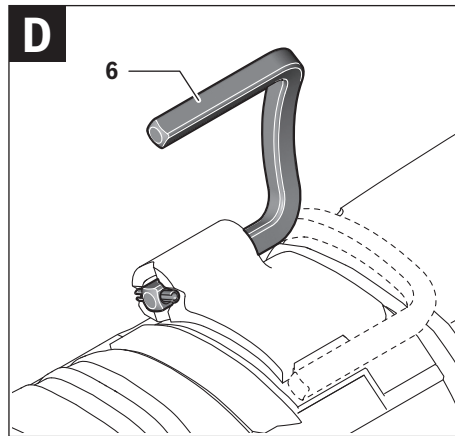
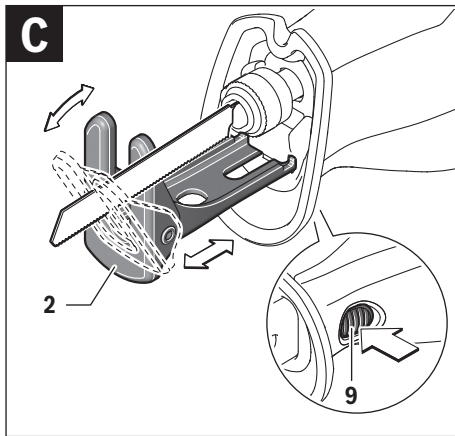
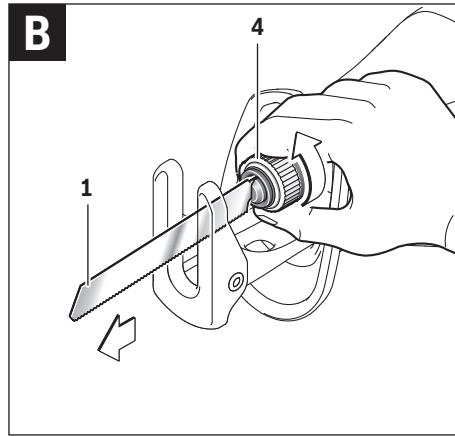
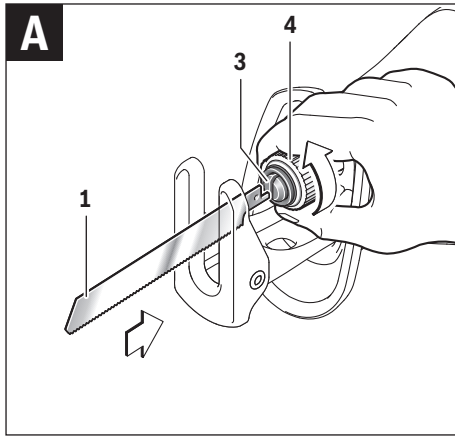
| | |
|------------------------|------------|
| English | Page 6 |
| 中文 | 页 11 |
| 中文 | 頁 15 |
| 한국어 | 페이지 18 |
| ภาษาไทย..... | หน้า 23 |
| Bahasa Indonesia | Halaman 27 |
| Tiếng Việt | Trang 32 |







GSA 1300 PCE



English

Safety Notes

General Power Tool Safety Warnings

⚠ WARNING Read all safety warnings and all instructions. Failure to follow the warnings and instructions may result in electric shock, fire and/or serious injury.

Save all warnings and instructions for future reference.

The term "power tool" in the warnings refers to your mains-operated (corded) power tool or battery-operated (cordless) power tool.

Work area safety

- ▶ **Keep work area clean and well lit.** Cluttered or dark areas invite accidents.
- ▶ **Do not operate power tools in explosive atmospheres, such as in the presence of flammable liquids, gases or dust.** Power tools create sparks which may ignite the dust or fumes.
- ▶ **Keep children and bystanders away while operating a power tool.** Distractions can cause you to lose control.

Electrical safety

- ▶ **Power tool plugs must match the outlet. Never modify the plug in any way. Do not use any adapter plugs with earthed (grounded) power tools.** Unmodified plugs and matching outlets will reduce risk of electric shock.
- ▶ **Avoid body contact with earthed or grounded surfaces, such as pipes, radiators, ranges and refrigerators.** There is an increased risk of electric shock if your body is earthed or grounded.
- ▶ **Do not expose power tools to rain or wet conditions.** Water entering a power tool will increase the risk of electric shock.
- ▶ **Do not abuse the cord. Never use the cord for carrying, pulling or unplugging the power tool. Keep cord away from heat, oil, sharp edges and moving parts.** Damaged or entangled cords increase the risk of electric shock.
- ▶ **When operating a power tool outdoors, use an extension cord suitable for outdoor use.** Use of a cord suitable for outdoor use reduces the risk of electric shock.
- ▶ **If operating a power tool in a damp location is unavoidable, use a residual current device (RCD) protected supply.** Use of an RCD reduces the risk of electric shock.

Personal safety

- ▶ **Stay alert, watch what you are doing and use common sense when operating a power tool. Do not use a power tool while you are tired or under the influence of drugs, alcohol or medication.** A moment of inattention while operating power tools may result in serious personal injury.
- ▶ **Use personal protective equipment. Always wear eye protection.** Protective equipment such as dust mask, non-skid safety shoes, hard hat, or hearing protection used for appropriate conditions will reduce personal injuries.

- ▶ **Prevent unintentional starting. Ensure the switch is in the off-position before connecting to power source and/or battery pack, picking up or carrying the tool.** Carrying power tools with your finger on the switch or energising power tools that have the switch on invites accidents.
- ▶ **Remove any adjusting key or wrench before turning the power tool on.** A wrench or a key left attached to a rotating part of the power tool may result in personal injury.
- ▶ **Do not overreach. Keep proper footing and balance at all times.** This enables better control of the power tool in unexpected situations.
- ▶ **Dress properly. Do not wear loose clothing or jewellery. Keep your hair, clothing and gloves away from moving parts.** Loose clothes, jewellery or long hair can be caught in moving parts.
- ▶ **If devices are provided for the connection of dust extraction and collection facilities, ensure these are connected and properly used.** Use of dust collection can reduce dust-related hazards.

Power tool use and care

- ▶ **Do not force the power tool. Use the correct power tool for your application.** The correct power tool will do the job better and safer at the rate for which it was designed.
- ▶ **Do not use the power tool if the switch does not turn it on and off.** Any power tool that cannot be controlled with the switch is dangerous and must be repaired.
- ▶ **Disconnect the plug from the power source and/or the battery pack from the power tool before making any adjustments, changing accessories, or storing power tools.** Such preventive safety measures reduce the risk of starting the power tool accidentally.
- ▶ **Store idle power tools out of the reach of children and do not allow persons unfamiliar with the power tool or these instructions to operate the power tool.** Power tools are dangerous in the hands of untrained users.
- ▶ **Maintain power tools. Check for misalignment or binding of moving parts, breakage of parts and any other condition that may affect the power tool's operation. If damaged, have the power tool repaired before use.** Many accidents are caused by poorly maintained power tools.
- ▶ **Keep cutting tools sharp and clean.** Properly maintained cutting tools with sharp cutting edges are less likely to bind and are easier to control.
- ▶ **Use the power tool, accessories and tool bits etc. in accordance with these instructions, taking into account the working conditions and the work to be performed.** Use of the power tool for operations different from those intended could result in a hazardous situation.

Service

- ▶ **Have your power tool serviced by a qualified repair person using only identical replacement parts.** This will ensure that the safety of the power tool is maintained.

Safety Warnings for Sabre Saws

- ▶ **Hold power tool by insulated gripping surfaces, when performing an operation where the cutting accessory may contact hidden wiring or its own cord.** Cutting accessory contacting a "live" wire may make exposed metal parts of the power tool "live" and could give the operator an electric shock.
- ▶ **Keep hands away from the sawing range. Do not reach under the workpiece.** Contact with the saw blade can lead to injuries.
- ▶ **Apply the machine to the workpiece only when switched on.** Otherwise there is danger of kickback when the cutting tool jams in the workpiece.
- ▶ **When sawing, the adjustable footplate 2 must always faces against the workpiece.** The saw blade can become wedged and lead to loss of control over the machine.
- ▶ **When the cut is completed, switch off the machine and then pull the saw blade out of the cut only after it has come to a standstill.** In this manner you can avoid kickback and can place down the machine securely.
- ▶ **Use only undamaged saw blades that are in perfect condition.** Bent or dull saw blades can break, negatively influence the cut, or lead to kickback.
- ▶ **Do not brake the saw blade to a stop by applying side pressure after switching off.** The saw blade can be damaged, break or cause kickback.
- ▶ **Clamp material well. Do not support the workpiece with your hand or foot. Do not touch objects or the floor with the the saw running.** Danger of kickback.
- ▶ **Use suitable detectors to determine if utility lines are hidden in the work area or call the local utility company for assistance.** Contact with electric lines can lead to fire and electric shock. Damaging a gas line can lead to explosion. Penetrating a water line causes property damage or may cause an electric shock.
- ▶ **When working with the machine, always hold it firmly with both hands and provide for a secure stance.** The power tool is guided more secure with both hands.
- ▶ **Secure the workpiece.** A workpiece clamped with clamping devices or in a vice is held more secure than by hand.
- ▶ **Always wait until the machine has come to a complete stop before placing it down.** The tool insert can jam and lead to loss of control over the power tool.

Products sold in GB only: Your product is fitted with a BS 1363/A approved electric plug with internal fuse (ASTA approved to BS 1362).

If the plug is not suitable for your socket outlets, it should be cut off and an appropriate plug fitted in its place by an authorised customer service agent. The replacement plug should have the same fuse rating as the original plug.

The severed plug must be disposed of to avoid a possible shock hazard and should never be inserted into a mains socket elsewhere.

Products sold in AUS and NZ only: Use a residual current device (RCD) with a rated residual current of 30 mA or less.

Product Description and Specifications



Read all safety warnings and all instructions. Failure to follow the warnings and instructions may result in electric shock, fire and/or serious injury.

Intended Use

The machine is intended for sawing wood, plastic, metal and building materials while resting firmly on the workpiece. It is suitable for straight and curved cuts. When using the appropriate bimetal saw blades, it is possible to cut flush to the workpiece surface. The saw blade recommendations must be observed.

Product Features

The numbering of the product features refers to the illustration of the machine on the graphics page.

- 1 Saw blade*
- 2 Adjustable footplate
- 3 Saw blade holder
- 4 Locking sleeve for saw blade
- 5 Stroke rod
- 6 Utility hook
- 7 On/Off switch
- 8 Lock-off button for On/Off switch (3 601 F4E 240)
Lock-on button for On/Off switch (3 601 F4E 280,
3 601 F4E 2B0, 3 601 F4E 2C0, 3 601 F4E 2K0,
3 601 F4E 2L0)
- 9 Footplate release button
- 10 "PowerLight"
- 11 Handle (insulated gripping surface)

*Accessories shown or described are not part of the standard delivery scope of the product. A complete overview of accessories can be found in our accessories program.

Technical Data

| Sabre saw | | GSA 1300 PCE |
|--------------------------------------------|-------------------|---------------|
| Article number | | 3 601 F4E 2.. |
| Rated power input | W | 1300 |
| Stroke rate at no load n_0 | min ⁻¹ | 0 – 2900 |
| Tool holder | | SDS |
| Orbital action | | ● |
| Constant electronic control | | ● |
| Stroke | mm | 28 |
| Cutting depth, max. | | |
| – in wood | mm | 220 |
| – in non-alloy steel | mm | 20 |
| – Pipe diameter | mm | 175 |
| Weight according to EPTA-Procedure 01:2014 | kg | 4.1 |
| Protection class | | □/II |

The values given are valid for a nominal voltage [U] of 230 V. For different voltages and models for specific countries, these values can vary.

Assembly

Replacing/Inserting the Saw Blade

- ▶ **Before any work on the machine itself, pull the mains plug.**
- ▶ **When mounting the saw blade, wear protective gloves.**
Danger of injury when touching the saw blade.
- ▶ **When changing the saw blade, take care that the saw blade holder is free of material residue, e. g. wood or metal shavings.**

Selecting a Saw Blade

An overview of recommended saw blades can be found at the beginning of these instructions. Use only ½" universal shank saw blades. The saw blade should not be longer than required for the intended cut.

Use a thin saw blade for narrow curve cuts.

Inserting the Saw Blade (see figure A)

Turn the locking sleeve **4** approx. 90° in the direction of the arrow and hold. Push the saw blade **1** into the saw blade holder **3**. Release the locking sleeve **4** again.

- ▶ **Check the tight seating of the saw blade.** A loose saw blade can fall out and lead to injuries.

For certain work, the saw blade **1** can also be turned through 180° (with the teeth pointed upwards) and re-inserted again.

Removing the Saw Blade (see figure B)

Turn the locking sleeve **4** approx. 90° in the direction of the arrow and hold. Remove the saw blade **1**.

Dust/Chip Extraction

- ▶ Dusts from materials such as lead-containing coatings, some wood types, minerals and metal can be harmful to one's health. Touching or breathing-in the dusts can cause allergic reactions and/or lead to respiratory infections of the user or bystanders.

Certain dusts, such as oak or beech dust, are considered as carcinogenic, especially in connection with wood-treatment additives (chromate, wood preservative). Materials containing asbestos may only be worked by specialists.

- Provide for good ventilation of the working place.
- It is recommended to wear a P2 filter-class respirator.

Observe the relevant regulations in your country for the materials to be worked.

- ▶ **Prevent dust accumulation at the workplace.** Dusts can easily ignite.

Operation

Operating Modes

- ▶ **Before any work on the machine itself, pull the mains plug.**

Positioning and Retractable Footplate (see figure C)

Due to its movability, the adjustable footplate **2** adapts to the required angular position of the surface.

Depending on the saw blade being used and the application, the footplate **2** can be moved in lengthway direction in three steps. Press the release button for the footplate **9** and slide the footplate **2** to the required position. Release the footplate release button **9** and check that the footplate **2** is firmly latched. Slide the footplate **2** as required until it is firmly latched.

Utility Hook (see figure D)

Your tool is equipped with a utility hook **6** for hanging it, e. g., to a ladder, etc. Simply fold out the utility hook **6** to the required position.

- ▶ **When the tool is hanging by the utility hook, ensure that the saw blade is protected against unintended contact. Danger of injury.**

Fold the utility hook **6** back in again when you are ready to continue working.

Starting Operation

- ▶ **Observe correct mains voltage! The voltage of the power source must agree with the voltage specified on the nameplate of the machine. Power tools marked with 230 V can also be operated with 220 V.**

The "Power Light" **10** is lit when the mains plug is inserted, and allows for illumination of the working range under unfavourable light conditions.

Switching On and Off (3 601 F4E 240)

To **start** the machine, **first** push the lock-off button for the On/Off switch **8** and **then** press the On/Off switch **7** and keep it pressed.

To **switch off** the machine, release the On/Off switch **7**.

Note: For safety reasons, the On/Off switch **7** cannot be locked; it must remain pressed during the entire operation.

Switching On and Off

(3 601 F4E 280, 3 601 F4E 2B0, 3 601 F4E 2C0, 3 601 F4E 2K0, 3 601 F4E 2L0)

To **start** the machine, press the On/Off switch **7** and keep it pressed.

To lock the **pressed** On/Off switch **7**, press the lock-on button **8**.

To **switch off** the machine, release the On/Off switch **7** or when it is locked with the lock-on button **8**, briefly press the On/Off switch **7** and then release it.

Orbital action

To achieve a high cutting speed, the orbital action is continuously in operation.

Constant Electronic Control

The constant electronic control keeps the stroke rate almost constant at no-load and under load, and ensures uniform working performance.

Controlling/Presetting the Stroke Rate

Increasing or reducing the pressure on the On/Off switch **7** enables stepless stroke-rate control of the switched-on machine.

Light pressure on the On/Off switch **7** results in a low stroke rate. Increasing the pressure also increases the stroke rate. The required stroke rate is dependent on the material and the working conditions and can be determined by a practical trial. Reducing the stroke rate is recommended when the saw blade engages in the material as well as when sawing plastic and aluminium.

Working Advice

Tips

- ▶ **When sawing light building materials, observe the statutory provisions and the recommendations of the material suppliers.**

Check wood, press boards, building materials, etc. for foreign objects such as nails, screws or similar, and always use the correct sawblade.

Switch the machine on and guide it toward the workpiece. Position the base plate **2** onto the surface of the work and saw through the material applying uniform contact pressure and feed. After completing the working procedure, switch the machine off.

If the saw blade should jam, switch the machine off immediately. Widen the gap somewhat with a suitable tool and pull out the machine.

Plunge Cutting (see figure E)

- ▶ **The plunge cutting procedure is only suitable for treating soft materials such as wood, plaster board or similar! Do not work metal materials with the plunge cutting procedure!**

Use only short saw blades for plunge cutting.

Place the machine with the edge of the footplate **2** onto the workpiece and switch on. For power tools with stroke speed control, set the maximum stroke speed. Press the power tool firmly against the workpiece and allow the saw blade to slowly plunge into the workpiece.

As soon as the footplate **2** fully lays on the surface of the workpiece, continue sawing alongside the desired cutting line.

For certain work, the saw blade **1** can also be inserted turned through by 180° and the sabre saw can be guided accordingly in a reversed manner.

Flush Cuts (see figure F)

Using elastic bimetal saw blades, items still attached to a wall (e. g. projecting building elements such as water pipes, etc.) can be sawn off flush at the wall.

- ▶ **Pay attention that the saw blade always extends beyond the diameter of the material being worked. There is danger of kickback.**

Position the saw blade directly against the wall and apply some lateral pressure via the tool until the footplate faces against the wall. Switch the power tool on and saw through the workpiece, applying constant lateral pressure.

Coolant/Lubricant

When sawing metal, coolant/lubricant should be applied alongside cutting line because of the material heating up.

Maintenance and Service

Maintenance and Cleaning

- ▶ **Before any work on the machine itself, pull the mains plug.**
- ▶ **For safe and proper working, always keep the machine and ventilation slots clean.**

Clean the saw blade holder preferably with compressed air or a soft brush. Remove the saw blade from the power tool for this. Ensure proper operation of the saw blade holder by applying a suitable lubricant.

Heavy contamination of the machine can lead to malfunctions. Therefore, do not saw materials that produce a lot of dust from below or overhead.

If the replacement of the supply cord is necessary, this has to be done by Bosch or an authorized Bosch service agent in order to avoid a safety hazard.

If the machine should fail despite the care taken in manufacturing and testing procedures, repair should be carried out by an after-sales service centre for Bosch power tools.

In all correspondence and spare parts order, please always include the 10-digit article number given on the type plate of the machine.

After-sales Service and Application Service

Our after-sales service responds to your questions concerning maintenance and repair of your product as well as spare parts. Exploded views and information on spare parts can also be found under:

www.bosch-pt.com

Bosch's application service team will gladly answer questions concerning our products and their accessories.

People's Republic of China

China Mainland

Bosch Power Tools (China) Co., Ltd.

567, Bin Kang Road

Bin Jiang District 310052

Hangzhou, P. R. China

Service Hotline: 4008268484

Fax: (0571) 87774502

E-Mail: contact.ptcn@cn.bosch.com

www.bosch-pt.com.cn

HK and Macau Special Administrative Regions

Robert Bosch Hong Kong Co. Ltd.

21st Floor, 625 King's Road

North Point, Hong Kong

Customer Service Hotline: +852 2101 0235

Fax: +852 2590 9762

E-Mail: info@hk.bosch.com

www.bosch-pt.com.hk

10 | English**Indonesia**

PT Robert Bosch
 Palma Tower 9th & 10th Floor
 Jl. Let. Jend. TB Simatupang II S/06
 Jakarta Selatan 12960
 Indonesia
 Tel.: (021) 3005 6565
 Fax: (021) 3005 5801
 E-Mail: boschpowertools@id.bosch.com
 www.bosch-pt.co.id

Philippines

Robert Bosch, Inc.
 28th Floor Fort Legend Towers,
 3rd Avenue corner 31st Street,
 Fort Bonifacio Global City,
 1634 Taguig City, Philippines
 Tel.: (02) 8703871
 Fax: (02) 8703870
 matheus.contiero@ph.bosch.com
 www.bosch-pt.com.ph
 Bosch Service Center:
 9725-27 Kamagong Street
 San Antonio Village
 Makati City, Philippines
 Tel.: (02) 8999091
 Fax: (02) 8976432
 rosalie.dagdagan@ph.bosch.com

Malaysia

Robert Bosch (S.E.A.) Sdn. Bhd.
 No. 8A, Jalan 13/6
 G.P.O. Box 10818
 46200 Petaling Jaya
 Selangor, Malaysia
 Tel.: (03) 79663194
 Fax: (03) 79583838
 cheehoe.on@my.bosch.com
 Toll-Free: 1800 880188
 www.bosch-pt.com.my

Thailand

Robert Bosch Ltd.
 Liberty Square Building
 No. 287, 11 Floor
 Silom Road, Bangrak
 Bangkok 10500
 Tel.: 02 6393111, 02 6393118
 Fax: 02 2384783
 Robert Bosch Ltd., P. O. Box 2054
 Bangkok 10501, Thailand
 www.bosch.co.th

Bosch Service – Training Centre
 La Salle Tower Ground Floor Unit No.2
 10/11 La Salle Moo 16
 Srinakharin Road
 Bangkaew, Bang Plee
 Samutprakarn 10540
 Thailand
 Tel.: 02 7587555
 Fax: 02 7587525

Singapore

Robert Bosch (SEA) Pte. Ltd.
 11 Bishan Street 21
 Singapore 573943
 Tel.: 6571 2772
 Fax: 6350 5315
 leongheng.leow@sg.bosch.com
 Toll-Free: 1800 3338333
 www.bosch-pt.com.sg

Vietnam

Robert Bosch Vietnam Co. Ltd
 10/F, 194 Golden Building
 473 Dien Bien Phu Street
 Ward 25, Binh Thanh District
 84 Ho Chi Minh City
 Vietnam
 Tel.: (08) 6258 3690 ext. 413
 Fax: (08) 6258 3692
 hieu.lagia@vn.bosch.com
 www.bosch-pt.com

Australia, New Zealand and Pacific Islands

Robert Bosch Australia Pty. Ltd.
 Power Tools
 Locked Bag 66
 Clayton South VIC 3169
 Customer Contact Center
 Inside Australia:
 Phone: (01300) 307044
 Fax: (01300) 307045
 Inside New Zealand:
 Phone: (0800) 543353
 Fax: (0800) 428570
 Outside AU and NZ:
 Phone: +61 3 95415555
 www.bosch.com.au

Disposal

The machine, accessories and packaging should be sorted for environmental-friendly recycling.
 Do not dispose of power tools into household waste!

Subject to change without notice.

中文

安全规章

电动工具通用安全警告

警告！ 阅读所有警告和所有说明！不遵照以下警告和说明会导致电击、着火和/或严重伤害。

保存所有警告和说明书以备查阅。

在所有下列的警告中术语“电动工具”指市电驱动（有线）电动工具或电池驱动（无线）电动工具。

工作场地的安全

- ▶ 保持工作场地清洁和明亮。混乱和黑暗的场地会引发事故。
- ▶ 不要在易爆环境，如有易燃液体、气体或粉尘的环境下操作电动工具。电动工具产生的火花会点燃粉尘或气体。
- ▶ 让儿童和旁观者离开后操作电动工具。注意力不集中会使操作者失去对工具的控制。

电气安全

- ▶ 电动工具插头必须与插座相配。绝不能以任何方式改装插头。需接地的电动工具不能使用任何转换插头。未经改装的插头和相配的插座将减少电击危险。
- ▶ 避免人体接触接地表面，如管道、散热片和冰箱。如果你身体接地会增加电击危险。
- ▶ 不得将电动工具暴露在雨中或潮湿环境中。水进入电动工具将增加电击危险。
- ▶ 不得滥用电线。绝不能用电线搬运、拉动电动工具或拔出其插头。使电线远离热源、油、锐边或运动部件。受损或缠绕的软线会增加电击危险。
- ▶ 当在户外使用电动工具时，使用适合户外使用的外接软线。适合户外使用的软线将减少电击危险。
- ▶ 如果在潮湿环境下操作电动工具是不可避免的，应使用剩余电流动作保护器（RCD）。使用 RCD 可减少电击危险。

人身安全

- ▶ 保持警觉，当操作电动工具时关注所从事的操作并保持清醒。当你感到疲倦，或在有药物、酒精或治疗反应时，不要操作电动工具。在操作电动工具时瞬间的疏忽会导致严重人身伤害。
- ▶ 使用个人防护装置。始终佩戴护目镜。安全装置，诸如适当条件下使用防尘面具、防滑安全鞋、安全帽、听力防护等装置能减少人身伤害。
- ▶ 防止意外起动。确保开关在连接电源和/或电池盒、拿起或搬运工具时处于关断位置。手指放在已

接通电源的开关上或开关处于接通时插入插头可能会导致危险。

- ▶ 在电动工具接通之前，拿掉所有调节钥匙或扳手。遗留在电动工具旋转零件上的扳手或钥匙会导致人身伤害。
- ▶ 手不要伸展得太长。时刻注意立足点和身体平衡。这样在意外情况下能很好地控制电动工具。
- ▶ 着装适当。不要穿宽松衣服或佩戴饰品。让衣服、手套和头发远离运动部件。宽松衣服、佩饰或长发可能会卷入运动部件中。
- ▶ 如果提供了与排屑、集尘设备连接用的装置，要确保他们连接完好且使用得当。使用这些装置可减少尘屑引起的危险。

电动工具使用和注意事项

- ▶ 不要滥用电动工具，根据用途使用适当的电动工具。选用适当设计的电动工具会使你工作更有效、更安全。
- ▶ 如果开关不能接通或关断工具电源，则不能使用该电动工具。不能用开关来控制的电动工具是危险的且必须进行修理。
- ▶ 在进行任何调节、更换附件或贮存电动工具之前，必须从电源上拔掉插头和/或使电池盒与工具脱离。这种防护性措施将减少工具意外起动的危险。
- ▶ 将闲置不用的电动工具贮存在儿童所及范围之外，并且不要让不熟悉电动工具或对这些说明不了解的人操作电动工具。电动工具在未经培训的用户手中是危险的。
- ▶ 保养电动工具。检查运动件是否调整到位或卡住，检查零件破损情况和影响电动工具运行的其他状况。如有损坏，电动工具应在使用前修理好。许多事故由维护不良的电动工具引发。
- ▶ 保持切削刀具锋利和清洁。保养良好的有锋利切削刃的刀具不易卡住而且容易控制。
- ▶ 按照使用说明书，考虑作业条件和进行的作业来使用电动工具、附件和工具的刀头等。将电动工具用于那些与其用途不符的操作可能会导致危险。

维修

- ▶ 将你的电动工具送交专业维修人员，使用同样的备件进行修理。这样将确保所维修的电动工具的安全性。

针对马刀锯的安全规章

- ▶ 在切削附件可能触及暗线或其自身软线之处进行操作时，要通过绝缘握持面来握持工具。切削附件碰到带电导线会使工具外露的金属零件带电从而使操作者受到电击。
- ▶ 双手必须远离锯割范围，手不可以握在工件下端。如果不小心碰触了锯片可能被割伤。

12 | 中文

- ▶ **先开电动工具后再把工具放置在工件上切割。** 如果电动工具被夹在工件中，会有反击的危险。
- ▶ **注意，锯割时底盘 2 务必紧靠工件。** 如果锯刀在工作中中途歪斜了，操作者可能无法掌控电动工具。
- ▶ **工作告一段落时，必须先关闭电动工具并等待机器完全静止后，才可以从锯缝中拔出锯刀。** 如此不但可以防止反击，而且可以防止放置机器时发生危险。
- ▶ **只能使用未受损，功能正常的锯片。** 弯曲或变钝的锯片可能断裂，对锯痕造成负面影响或导致反弹。
- ▶ **关机后不可以侧压刀片来制止仍然继续转动的刀片。** 锯刀可能因此受损、断裂或者造成反击。
- ▶ **牢牢地固定住工件。不可以用手或脚支撑工件。不可以让转动中的电锯接触其它的物品或地面。** 有反击的危险。
- ▶ **使用合适的侦测装置侦察隐藏的电线，或者向当地的相关单位寻求支援。** 接触电线可能引起火灾并让操作者触电。损坏了瓦斯管会引起爆炸。凿穿水管不仅会造成严重的财物损失，也可能导致触电。
- ▶ **工作时必须用双手握紧电动工具，并且要确保立足稳固。** 使用双手比较能够握稳电动工具。
- ▶ **固定好工件。** 使用固定装置或老虎钳固定工件，会比用手持握工件更牢固。
- ▶ **等待电动工具完全静止后才能够放下机器。** 机器上的工具可能在工作中被夹住，而令您无法控制电动工具。

- 8 起停开关的防止起动装置 (3 601 F4E 240)
起停开关的锁紧键 (3 601 F4E 280,
3 601 F4E 2B0, 3 601 F4E 2C0,
3 601 F4E 2K0, 3 601 F4E 2L0)
- 9 底盘的解锁按键
- 10 灯 "PowerLight"
- 11 手柄 (绝缘握柄)

***图表或说明上提到的附件，并不包含在基本的供货范围中。**
本公司的附件清单中有完整的附件供应项目。

技术数据

| 马刀锯 | GSA 1300 PCE | |
|------------------------|---------------|----------|
| 物品代码 | 3 601 F4E 2.. | |
| 额定输入功率 | 瓦 | 1300 |
| 无负载冲击次数 n ₀ | 次 / 分 | 0 - 2900 |
| 工具夹头 | SDS | |
| 振荡功能 | ● | |
| 恒定电子装置 | ● | |
| 冲程 | 毫米 | 28 |
| 最大锯割深度 | | |
| - 在木材 | 毫米 | 220 |
| - 在钢铁, 非合金钢 | 毫米 | 20 |
| - 管直径 | 毫米 | 175 |
| 重量符合 EPTA- | | |
| Procedure 01:2014 | 公斤 | 4.1 |
| 绝缘等级 | □/II | |

本说明书提供的参数是以 230 V 为依据，于低电压地区，此数据有可能不同。

安装

安装 / 更换锯刀

- ▶ **维修电动工具或换装零、配件之前，务必从插座上拔出插头。**
- ▶ **安装锯片时要戴上工作手套。** 如果接触了锯片，可能受伤。
- ▶ **更换锯刀时请注意，锯刀接头上不可以有任何杂物，例如木屑或金属屑等。**

选择锯片

本说明书的开端，有锯刀的一览表。只能安装有 1/2" - 通用插柄的锯刀。锯刀的长度不可以大过预定的锯线。

锯割狭窄的弯角时，必须使用窄的锯刀。

安装锯刀 (参考插图 A)

朝着箭头的方向将锁定套筒 4 拧转约 90° 并握住套筒。把锯片 1 推入锯刀接头 3 中。接着再放开锁定套筒 4。

产品和功率描述



阅读所有的警告提示和指示。 如未确实遵循警告提示和指示，可能导致电击，火灾并且 / 其他的严重伤害。

按照规定使用机器

本电动工具可以锯割木材、塑料、金属和一般建材。锯割时必须用力地将机器顶向工件。本机器能够进行直线割锯也能够进行曲线割锯。安装了专用的双金属锯刀后，能够锯割出非常平整的锯口。选用锯刀时请参考本公司提出的建议。

插图上的机件

机件的编号和电动工具详解图上的编号一致。

- 1 锯片*
- 2 活动式底盘
- 3 锯刀接头
- 4 锯刀的锁定套筒
- 5 冲击杆
- 6 悬挂架
- 7 起停开关

- ▶ **检查锯刀是否已经装牢了。** 松动的锯刀可能掉落并伤害您。

从事某些特别的工作时，可以把锯刀 1 旋转 180 度（锯齿朝上）后再安装。

拆卸锯片（参考插图 B）

朝着箭头的方向将锁定套筒 4 拧转约 90° 并握住套筒。取出锯片 1。

吸锯尘 / 吸锯屑

- ▶ 含铅的颜料以及某些木材、矿物和金属的加工废尘有害健康。机器操作者或者工地附近的人如果接触、吸入这些废尘，可能会有过敏反应或者感染呼吸道疾病。

某些尘埃（例如加工橡木或山毛榉的废尘）可能致癌，特别是和处理木材的添加剂（例如木材的防腐剂等）结合之后。只有经过专业训练的人才能够加工含石棉的物料。

- 工作场所要保持空气流通。
- 最好佩戴 P2 滤网等级的口罩。

请留心并遵守贵国和加工物料有关的法规。

- ▶ **避免让工作场所堆积过多的尘垢。** 尘埃容易被点燃。

操作

操作功能

- ▶ **维修电动工具或换装零、配件之前，务必从插座上拔出插头。**

可翻转和可以抽出的底盘（参考插图 C）

底盘 2 是活动的，可以随时配合工作表面的角度。

您可以根据所使用的锯刀和应用状况，前后移动底盘 2，总共有 3 个移动位置。按下解锁按键 9 并把底盘 2 移动到需要的位置上。放解锁按键 9 并检查底盘 2 是否牢牢地固定好了。必要时得移动底盘 2 让它正确地卡住。

悬挂架（参考插图 D）

使用悬挂架 6 可以把电动工具挂在梯子上。悬挂机器之前，先把悬挂架 6 掀开到合适的位置。

- ▶ **悬挂好电动工具后，务必做好适当的防范措施，以避免不小心碰触了锯刀。有被割伤的危险。**

使用电动工具工作之前，必须先收回悬挂架 6。

操作机器

- ▶ **注意电源的电压！电源的电压必须和电动工具铭牌上标示的电压一致。**

插上电源插头后灯 10 便会亮起。如果操作地点光线不足它可以发挥照明功能。

开动 / 关闭 (3 601 F4E 240)

开动电动工具，先按下防止起动装置 8，接着再按住起停开关 7。

放开起停开关 7 便可以关闭电动工具。

指示： 基于安全的顾虑，起停开关 7 无法被锁定。所以操作机器时必须持续地按住开关。

开动 / 关闭

(3 601 F4E 280, 3 601 F4E 2B0, 3 601 F4E 2C0, 3 601 F4E 2K0, 3 601 F4E 2L0)

操作 电动工具时先按下电动工具的起停开关 7，并持续按着。

按下锁紧键 8 即可锁定被按住的起停开关 7。

放开起停开关 7 即可关闭电动工具。如果起停开关被锁紧键 8 固定了，先按下起停开关 7 并随即将其放开。

振荡功能

为了达到高锯割速度，振荡动作会持续进行。

恒定电子装置

有了恒定电子装置，机器的冲击次数能够在空转和负载时都保持恒定。如此能够确保均匀的运作功率。

控制 / 设定冲击次数

您可以无级式调节电动工具的冲击次数。您在起停开关 7 上的施力大小，可以决定冲击次数的高低。

轻按起停开关 7 冲击次数低，按得越紧冲击次数越高。

正确的冲击次数必须视工件物料和工作状况而定。唯有实际操作才能找出最合适的冲击次数。

起锯时，或者锯割塑料、铝片时最好降低冲击次数。

有关操作方式的指点

建议

- ▶ **锯割轻建材时，必须注意有关的法令规定以及材料供应商提供的建议事宜。**

锯割木材、夹板和其它建材时得先检查上述物料中是否有钉子、螺丝等异物。使用合适的锯片。

先开动电动工具再把工具靠在工件上。把底盘 2 靠在工件的表面，接着再使用均匀的下压力或推进力锯割工件。工作完备后随手关闭电动工具。

如果锯刀被夹住了，必须马上关闭电动工具。使用合适的工具撑开锯缝并拔出电动工具。

潜锯（参考插图 E）

- ▶ **潜锯只适用于软的物料，例如木材、石膏夹板等！不可以金属上进行潜锯。**

只能使用短的锯刀进行潜锯。

把底盘 2 的下缘顶在工件表面上，然后再开动机器。如果电动工具有冲击次数设定功能的话，必须选择最

14 | 中文

高冲击次数。用力地把电动工具压向工件，并让锯刀慢慢地潜入工件中。

待底盘 2 平贴着工件表面后，便可以沿着锯线向前锯割。

针对特殊的工作，可以把锯刀 1 翻转 180 度后再安装，并且把电锯翻转过来操作。

平锯（参考插图 F）

使用具有弹性的双金属锯片，能够锯平凸出在墙上的建筑构件（例如水管等）。

▶ **请注意，锯刀片的长度务必要大于待割管子的直径。否则可能有反击的危险。**

把锯刀直接靠在墙上，侧压电动工具让底盘贴在墙面上。开动电动工具并使用均匀的侧压力锯断工件。

冷却剂 / 润滑剂

锯割金属时由于物料会变热，必须在锯割线上涂抹冷却剂或润滑剂。

维修和服务

维修和清洁

- ▶ **维修电动工具或换装零、配件之前，务必从插座上拔出插头。**
- ▶ **电动工具和通风间隙都必须保持清洁，这样才能提高工作品质 and 安全性。**

最好使用压缩空气或软毛刷清洁锯片接头。此时必须先拆卸电动工具上的锯片，并且使用合适的润滑剂润滑接头，以确保接头的运作功能。

电动工具如果沾满污垢，可能会影响机器的功能。因此不可以仰头锯割会产生大量灰尘的工件。

如果必须更换连接线，务必把这项工作交给博世或者经授权的博世电动工具顾客服务执行，以避免危害机器的安全性能。

本公司生产的电动工具都经过严密的品质检验，如果机器仍然发生故障，请将机器交给博世电动工具公司授权的顾客服务处修理。

询问和订购备件时，务必提供机器铭牌上标示的 10 位数物品代码。

顾客服务处和顾客咨询中心

本公司顾客服务处负责回答有关本公司产品的修理、维护和备件的问题。以下的网页中有爆炸图和备件的资料：

www.bosch-pt.com

博世顾客咨询团队非常乐意为您解答有关公司产品及附件的问题。

有关保证，维修或更换零件事宜，请向合格的经销商查询。

中国大陆

博世电动工具（中国）有限公司
中国 浙江省 杭州市
滨江区滨康路 567 号
邮政编码：310052
免费服务热线：4008268484
传真：(0571) 87774502
电邮：contact.ptcn@cn.bosch.com
www.bosch-pt.com.cn

羅伯特·博世有限公司
香港北角英皇道 625 號 21 樓
客戶服務熱線：+852 2101 0235
傳真：+852 2590 9762
電郵：info@hk.bosch.com
網站：www.bosch-pt.com.hk

制造商地址：

Robert Bosch Power Tools GmbH
罗伯特·博世电动工具有限公司
70538 Stuttgart / GERMANY
70538 斯图加特 / 德国

处理废弃物

必须以符合环保的方式，回收再利用损坏的机器、附件和废弃的包装材料。

不可以把电动工具丢入家庭垃圾中！

保留修改权。

中文

安全規章

電動工具通用安全警告

警告 閱讀所有警告和所有說明。不遵照以下警告和說明會導致電擊、着火和 / 或嚴重傷害。

保存所有警告和說明書以備查閱。

在所有下列的警告中術語 " 電動工具 " 指市電驅動 (有線) 電動工具或電池驅動 (無線) 電動工具。

工作場地的安全

- ▶ 保持工作場地清潔和明亮。混亂和黑暗的場地會引發事故。
- ▶ 不要在易爆環境，如有易燃液體、氣體或粉塵的環境下操作電動工具。電動工具產生的火花會點燃粉塵或氣體。
- ▶ 讓兒童和旁觀者離開後操作電動工具。注意力不集中會使你失去對工具的控制。

電氣安全

- ▶ 電動工具插頭必須與插座相配。絕不能以任何方式改裝插頭。需接地的電動工具不能使用任何轉換插頭。未經改裝的插頭和相配的插座將減少電擊危險。
- ▶ 避免人體接觸接地表面，如管道、散熱片和冰箱。如果你身體接地會增加電擊危險。
- ▶ 不得將電動工具暴露在雨中或潮濕環境中。水進入電動工具將增加電擊危險。
- ▶ 不得濫用電線。絕不能用電線搬運、拉動電動工具或拔出其插頭。使電線遠離熱源、油、銳邊或運動部件。受損或纏繞的軟線會增加電擊危險。
- ▶ 當在戶外使用電動工具時，使用適合戶外使用的外接軟線。適合戶外使用的軟線，將減少電擊危險。
- ▶ 如果在潮濕環境下操作電動工具是不可避免的，應使用剩餘電流動作保護器 (RCD)。使用 RCD 可減少小電擊危險。

人身安全

- ▶ 保持警覺，當操作電動工具時關注所從事的操作並保持清醒。當你感到疲倦，或在有藥物、酒精或治療反應時，不要操作電動工具。在操作電動工具時瞬間的疏忽會導致嚴重人身傷害。
- ▶ 使用個人防護裝置。始終佩戴護目鏡。安全裝置，諸如適當條件下使用防塵面具、防滑安全鞋、安全帽、聽力防護等裝置能減少人身傷害。
- ▶ 防止意外起動。確保開關在連接電源和 / 或電池盒、拿起或搬運工具時處於關斷位置。手指放在已

接通電源的開關上或開關處於接通時插入插頭可能會導致危險。

- ▶ 在電動工具接通之前，拿掉所有調節鑰匙或扳手。遺留在電動工具旋轉零件上的扳手或鑰匙會導致人身傷害。
- ▶ 手不要伸展得太長。時刻注意立足點和身體平衡。這樣在意外情況下能很好地控制電動工具。
- ▶ 著裝適當。不要穿寬鬆衣服或佩戴飾品。讓你的衣服、手套和頭髮遠離運動部件。寬鬆衣服、佩飾或長髮可能會捲入運動部件中。
- ▶ 如果提供了與排屑、集塵設備連接用的裝置，要確保他們連接完好且使用得當。使用這些裝置可減少塵屑引起的危險。

電動工具使用和注意事項

- ▶ 不要濫用電動工具，根據用途使用適當的電動工具。選用適當設計的電動工具會使你工作更有效、更安全。
- ▶ 如果開關不能接通或關斷工具電源，則不能使用該電動工具。不能用開關來控制的電動工具是危險的且必須進行修理。
- ▶ 在進行任何調節、更換附件或貯存電動工具之前，必須從電源上拔掉插頭和 / 或使電池盒與工具脫開。這種防護性措施將減少工具意外起動的危險。
- ▶ 將閒置不用的電動工具貯存在兒童所及範圍之外，並且不要讓不熟悉電動工具或對這些說明不瞭解的人操作電動工具。電動工具在未經培訓的用戶手中是危險的。
- ▶ 保養電動工具。檢查運動件是否調整到位或卡住，檢查零件破損情況和影響電動工具運行的其他狀況。如有損壞，電動工具應在使用前修理好。許多事故由維護不良的電動工具引發。
- ▶ 保持切削刀具鋒利和清潔。保養良好的有鋒利切削刃的刀具不易卡住而且容易控制。
- ▶ 按照使用說明書，考慮作業條件和進行的作業來使用電動工具、附件和工具的刀頭等。將電動工具用於那些與其用途不符的操作可能會導致危險。

檢修

- ▶ 將你的電動工具送交專業維修人員，必須使用同樣的備件進行更換。這樣將確保所維修的電動工具的安全性。

針對馬刀鋸的安全規章

- ▶ 如果安裝在此裝置上的切割配件可能會在作業期間割到暗藏的電線或自身的電源線，請務必從裝置握把上的絕緣處來握住該裝置。切割配件萬一接觸到帶電導線，可能會連帶使裝置上的金屬部件帶電，進而導致操作者觸電。
- ▶ 雙手必須遠離切割範圍，手不可以握在工件下端。如果不小心中觸了鋸片可能被割傷。

16 | 中文

- ▶ **先開動電動工具後再把工具放置在工件上切割。** 如果電動工具被夾在工件中，會有反擊的危險。
- ▶ **注意，鋸割時底盤 2 務必緊靠著工件。** 如果鋸刀在工作中途歪斜了，操作者可能無法掌控電動工具。
- ▶ **工作告一段落時，必須先關閉電動工具並等待機器完全靜止後，才可以從鋸縫中拔出鋸刀。** 如此不但可以防止反擊，而且可以防止放置機器時發生危險。
- ▶ **只能使用未受損，功能正常的鋸片。** 彎曲或變鈍的鋸片可能斷裂，對鋸痕造成負面影響或導致反彈。
- ▶ **關機後不可以側壓刀片來制止仍然繼續轉動的刀片。** 鋸刀可能因此受損、斷裂或者造成反擊。
- ▶ **牢牢地固定住工件。** 不可以用手或腳支撐工件。不可以讓轉動中的電鋸接觸其它的物品或地面。有反擊的危險。
- ▶ **使用合適的偵測裝置偵察隱藏的電線，或者向當地的相關單位尋求支援。** 接觸電線可能引起火災並讓操作者觸電。損壞了瓦斯管會引起爆炸。鑿穿水管不僅會造成嚴重的財物損失，也可能導致觸電。
- ▶ **工作時必須用雙手握緊電動工具，並且要確保立足穩固。** 使用雙手比較能夠握穩電動工具。
- ▶ **固定好工件。** 使用固定裝置或老虎鉗固定工件，會比用手持握工件更牢固。
- ▶ **等待電動工具完全靜止後才能夠放下機器。** 機器上的工具可能在工作中被夾住，而令您無法控制電動工具。

- 8 起停的防止起顫 (3 601 F4E 240)
起停開關的鎖緊鍵 (3 601 F4E 280,
3 601 F4E 2B0, 3 601 F4E 2C0,
3 601 F4E 2K0, 3 601 F4E 2L0)
- 9 底盤的解鎖按鍵
- 10 燈 "PowerLight"
- 11 手柄 (絕緣握柄)

*圖表或說明上提到的附件，並不包含在基本的供貨範圍中。本公司的附件清單中有完整的附件供應項目。

技術性數據

| 馬刀鋸 | GSA 1300 PCE | |
|-----------------------------|--------------|---------------|
| 物品代碼 | | 3 601 F4E 2.. |
| 額定輸入功率 | 瓦 | 1300 |
| 無負載沖擊次數 n ₀ | 次 / 分 | 0 - 2900 |
| 工具夾頭 | | SDS |
| 振蕩功能 | | ● |
| 恆定電子裝置 | | ● |
| 沖程 | 毫米 | 28 |
| 最大鋸割深度 | | |
| - 在木材 | 毫米 | 220 |
| - 在鋼鐵，非合金鋼 | 毫米 | 20 |
| - 管直徑 | 毫米 | 175 |
| 重量符合 EPTA-Procedure 01:2014 | 公斤 | 4.1 |
| 絕緣等級 | | □/II |

本說明書提供的參數是以 230 伏特為依據，於低電壓地區，此數據有可能不同。

安裝

安裝 / 更換鋸刀

- ▶ **維修電動工具或換裝零、配件之前，務必從插座上拔出插頭。**
- ▶ **安裝鋸片時要戴上工作手套。** 如果接觸了鋸片，可能受傷。
- ▶ **更換鋸刀時請注意，鋸刀接頭上不可以有任何雜物，例如木屑或金屬屑等。**

選擇鋸片

本說明書的開端，有鋸刀的一覽表。只能安裝有 ½"-通用插柄的鋸刀。鋸刀的長度不可以大過預定的鋸線。

鋸割狹窄的彎角時，必須使用窄的鋸刀。

安裝鋸刀 (參考插圖 A)

朝著箭頭的方向將鎖定套筒 4 擰轉約 90° 並握住套筒。把鋸片 1 推入鋸刀接頭 3 中。接著再放開鎖定套筒 4。

產品和功率描述



閱讀所有的警告提示和指示。如未確實遵循警告提示和指示，可能導致電擊、火災並且 / 或其他的嚴重傷害。

按照規定使用機器

本電動工具可以鋸割木材、塑料、金屬和一般建材。鋸割時必須用力地將機器頂向工件。本機器能夠進行直線割鋸也能夠進行曲線割鋸。安裝了專用的雙金屬鋸刀后，能夠鋸割出非常平整的鋸口。選用鋸刀時請參考本公司提出的建議。

插圖上的機件

機件的編號和電動工具詳細圖上的編號一致。

- 1 鋸片*
- 2 活動式底盤
- 3 鋸刀接頭
- 4 鋸刀的鎖定套筒
- 5 沖擊桿
- 6 懸掛架
- 7 起停開關

- ▶ **檢查鋸刀是否已經裝牢了。** 松動的鋸刀可能掉落並傷害您。

從事某些特別的工作時，可以把鋸刀 1 旋轉 180 度（鋸齒朝上）后再安裝。

拆卸鋸片（參考插圖 B）

朝著箭頭的方向將鎖定套筒 4 擰轉約 90° 並握住套筒。取出鋸片 1。

吸鋸塵 / 吸鋸屑

- ▶ 含鉛的顏料以及某些木材、礦物和金屬的加工廢塵有害健康。機器操作者或者工地附近的人如果接觸、吸入這些廢塵，可能會有過敏反應或者感染呼吸道疾病。某些塵埃（例如加工橡木或山毛櫸的廢塵）可能致癌，特別是和處理木材的添加劑（例如木材的防腐劑等）結合之後。只有經過專業訓練的人才能夠加工含石棉的物料。
 - 工作場所要保持空氣流通。
 - 最好佩戴 P2 濾網等級的口罩。

請留心並遵守貴國和加工物料有關的法規。

- ▶ **避免讓工作場所堆積過多的塵垢。** 塵埃容易被點燃。

操作

操作方式

- ▶ **維修電動工具或換裝零、配件之前，務必從插座上拔出插頭。**

可翻轉和可以抽出的底盤（參考插圖 C）

底盤 2 是活動的，可以隨時配合工作表面的角度。

您可以根據所使用的鋸刀和應用狀況，前後移動底盤 2，總共有 3 個移動位置。按下解鎖按鍵 9 並把底盤 2 移動到需要的位置上。放開解鎖按鍵 9 並檢查底盤 2 是否牢牢地固定好了。必要時得移動底盤 2 讓它正確地卡住。

懸掛架（參考插圖 D）

使用懸掛架 6 可以把電動工具掛在梯子上。懸掛機器之前，先把懸掛架 6 掀開到合適的位置。

- ▶ **懸掛好電動工具后，務必做好適當的防範措施，以避免不小心碰觸了鋸刀。有被割傷的危險。**

使用電動工具工作之前，必須先收回懸掛架 6。

操作機器

- ▶ **注意電源的電壓！** 電源的電壓必須和電動工具銘牌上標示的電壓一致。

插上電源插頭後燈 10 便會亮起。如果操作地點光線不足它可以發揮照明功能。

開動 / 關閉 (3 601 F4E 240)

操作 電動工具，先按下防止起顫 8，接著再按住起停 7。

放開起停開關 7 便可以關閉電動工具。

指示： 基于安全的顧慮，起停開關 7 無法被鎖定。所以操作機器時必須持續地按住開關。

開動 / 關閉

(3 601 F4E 280, 3 601 F4E 2B0, 3 601 F4E 2C0, 3 601 F4E 2K0, 3 601 F4E 2L0)

操作 電動工具時先按下電動工具的起停開關 7，並持續按著。

按下鎖緊鍵 8 即可鎖定被按住的起停開關 7。

放開起停開關 7 即可關閉電動工具。如果起停開關被鎖緊鍵 8 固定了，先按下起停開關 7 並隨即將其放開。

振蕩功能

為了達到高鋸割速度，振蕩動作會持續進行。

恆定電子裝置

有了恆定電子裝置，機器的沖擊次數能夠在空轉和負載時都保持恆定。如此能夠確保均勻的運作功率。

控制 / 設定沖擊次數

您可以無級式調節電動工具的沖擊次數。您在起停開關 7 上的施力大小，可以決定沖擊次數的高低。

輕按起停開關 7 沖擊次數低，按得越緊沖擊次數越高。

正確的沖擊次數必須視工件物料和工作狀況而定。唯有實際操作才能找出最合適的沖擊次數。

起鋸時，或者鋸割塑料、鋁片時最好降低沖擊次數。

有關操作方式的指點

建議

- ▶ **鋸割輕建材時，必須注意有關的法令規定以及材料供應商提供的建議事宜。**

鋸割木材、夾板和其它建材時得先檢查上述物料中是否有釘子、螺絲等異物。使用合適的鋸片。

先開動電動工具再把工具靠在工件上。把底盤 2 靠在工件的表面，接著再使用均勻的下壓力或推進力鋸割工件。工作完備後隨手關閉電動工具。

如果鋸刀被夾住了，必須馬上關閉電動工具。使用合適的工具撐開鋸縫並拔出電動工具。

潛鋸（參考插圖 E）

- ▶ **潛鋸只適用於軟的物料，例如木材、石膏夾板等！**
不可以在金屬上進行潛鋸。

只能使用短的鋸刀進行潛鋸。

把底盤 2 的下緣頂在工件表面上，然后再開動機器。如果電動工具有沖擊次數設定功能的話，必須選擇最

18 | 한국어

高沖擊次數。用力地把電動工具壓向工件，並讓鋸刀慢慢地潛入工件中。

待底盤 2 平貼著工件表面後，便可以沿著鋸線向前鋸割。

針對特殊的工作，可以把鋸刀 1 翻轉 180 度后再安裝，並且把電鋸翻轉過來操作。

平鋸 (參考插圖 F)

使用具有彈性的雙金屬鋸片，能夠鋸平凸出在牆上的建築構件（例如水管等）。

▶ **請注意**，鋸刀片的長度務必大於待割鋸管子的直徑。否則可能有反擊的危險。

把鋸刀直接靠在牆上，側壓電動工具讓底盤貼在牆面上。開動電動工具並使用均勻的側壓力鋸斷工件。

冷卻劑 / 潤滑劑

鋸割金屬時由于物料會變熱，必須在鋸割線上塗抹冷卻劑或潤滑劑。

維修和服務**維修和清潔**

- ▶ **維修電動工具或換裝零、配件之前，務必從插座上拔出插頭。**
- ▶ **電動工具和通風間隙都必須保持清潔，這樣才能夠提高工作品質和安全性。**

最好使用壓縮空氣或軟毛刷清潔鋸片接頭。此時必須先拆卸電動工具上的鋸片，並且使用合適的潤滑劑潤滑接頭，以確保接頭的運作功能。

電動工具如果沾滿污垢，可能會影響機器的功能。因此不可以仰頭鋸割會產生大量灰塵的工件。

如果必須更換連接線，務必把這項工作交給博世或者經授權的博世電動工具顧客服務執行，以避免危害機器的安全性能。

本公司生產的電動工具都經過嚴密的品質檢驗，如果機器仍然發生故障，請將機器交給博世電動工具公司授權的顧客服務處修理。

詢問和訂購備件時，務必提供機器銘牌上標示的 10 位數物品代碼。

顧客服務處和顧客諮詢中心

本公司顧客服務處負責回答有關本公司產品的修理、維護和備件的問題。以下的網頁中有爆炸圖和備件的資料：

www.bosch-pt.com

博世顧客諮詢團隊非常樂意為您解答有關本公司產品及附件的問題。

台灣

台灣羅伯特博世股份有限公司

建國北路一段 90 號 6 樓

台北市 10491

電話：(02) 2515 5388

傳真：(02) 2516 1176

www.bosch-pt.com.tw

製造商地址：

Robert Bosch Power Tools GmbH

羅伯特·博世電動工具有限公司

70538 Stuttgart / GERMANY

70538 斯圖加特 / 德國

處理廢棄物

必須以符合環保的方式，回收再利用損壞的機器、附件和廢棄的包裝材料。

不可以把電動工具丟入家庭垃圾中。

保留修改權。**한국어****안전 수칙****전동공구용 일반 안전수칙**

⚠ 경고 모든 안전수칙과 지시 사항을 상세히 읽고 지켜야 합니다. 다음의 안전수칙과 지시 사항을 준수하지 않으면 화재 위험이 있으며 감전 혹은 중상을 입을 수 있습니다.

앞으로의 참고를 위해 이 안전수칙과 사용 설명서를 잘 보관하십시오.

다음에서 사용되는 “전동공구” 라는 개념은 전원에 연결하여 사용하는 전동 기기 (전선이 있는) 나 배터리를 사용하는 전동 기기 (전선이 없는) 를 의미합니다.

작업장 안전

▶ **작업장을 항상 깨끗이 하고 조명을 밝게 하십시오.** 작업장 환경이 어수선하거나 어두우면 사고를 초래할 수 있습니다.

▶ **가연성 유체, 가스 또는 분진이 있어 폭발 위험이 있는 환경에서 전동공구를 사용하지 마십시오.** 전동공구는 분진이나 증기에 점화하는 스파크를 일으킬 수 있습니다.

▶ **전동공구를 사용할 때 구경꾼이나 어린이 혹은 다른 사람이 작업장에 접근하지 못하게 하십시오.** 다른 사람이 주의를 산만하게 하면 기기에 대한 통제를 잃기 쉽습니다.

전기에 관한 안전

▶ **전동공구의 전원 플러그가 전원 콘센트에 잘 맞아야 합니다.** 플러그를 조금이라도 변경시켜서는 안됩니다. 접지된 전동공구를 사용할 때 어댑터 플러그를

사용하지 마십시오. 변형되지 않은 플러그와 잘 맞는 콘센트를 사용하면 감전의 위험을 감소할 수 있습니다.

- ▶ **파이프 관, 라디에이터, 레인지, 냉장고와 같은 접지 표면에 몸이 닿지 않도록 하십시오.** 몸에 닿을 경우 감전될 위험이 높습니다.
- ▶ **전동공구를 비에 맞지 않게 하고 습기 있는 곳에 두지 마십시오.** 전동공구에 물이 들어가면 감전될 위험이 높습니다.
- ▶ **전원 코드를 잡고 전동공구를 운반하거나 걸어 놓아서는 안되며, 콘센트에서 전원 플러그를 뽑을 때 전원 코드를 잡아 당겨서는 절대로 안됩니다.** 전원 코드가 열과 오일에 접촉하는 것을 피하고, 날카로운 모서리나 기기의 가동 부위에 닿지 않도록 주의하십시오. 손상되거나 영긴 전원 코드는 감전을 유발할 수 있습니다.
- ▶ **실외에서 전동공구로 작업할 때는 실외용으로 적당한 연장 전원 코드만을 사용하십시오.** 실외용 연장 전원 코드를 사용하면 감전의 위험을 줄일 수 있습니다.
- ▶ **전동공구를 습기 찬 곳에서 사용해야 할 경우에는 누전 차단기를 사용하십시오.** 누전 차단기를 사용하면 감전 위험을 줄일 수 있습니다.

사용자 안전

- ▶ **신중하게 작업하십시오.** 작업을 할 때 주의를 하며, 전동공구를 사용할 때 경솔하게 행동하지 마십시오. 피로한 상태이거나 약을 복용 및 음주한 후에는 전동공구를 사용하지 마십시오. 전동공구를 사용할 때 잠시라도 주의를 산만해지면 중상을 입을 수 있습니다.
- ▶ **작업자 안전을 위한 장치를 사용하십시오.** 항상 보호 안경을 착용하십시오. 전동공구의 종류와 사용에 따라 먼지 보호 마스크, 미끄러지지 않는 안전한 신발, 안전모 또는 귀마개 등의 안전한 복장을 하면 상해의 위험을 줄일 수 있습니다.
- ▶ **실수로 기기가 작동되지 않도록 주의하십시오.** 전동공구를 전원에 연결하거나 배터리를 끼우기 전에, 혹은 기기를 들거나 운반하기 전에, 전원 스위치가 꺼져 있는지 다시 확인하십시오. 전동공구를 운반할 때 전원 스위치에 손가락을 대거나 전원 스위치가 켜진 상태에서 전원을 연결하면 사고 위험이 높습니다.
- ▶ **전동공구를 사용하기 전에 조절하는 톨이나 나사 키 등을 빼 놓으십시오.** 회전하는 부위에 있는 톨이나 나사 키로 인해 상해를 입을 수 있습니다.
- ▶ **자신을 과신하지 마십시오.** 불안정한 자세를 피하고 항상 평형을 이룬 상태로 작업하십시오. 안정된 자세와 평형한 상태로 작업해야만이 의외의 상황에서 전동공구를 안전하게 사용할 수 있습니다.
- ▶ **알맞은 작업복을 입으십시오.** 헐렁한 복장을 하거나 장신구를 착용하지 마십시오. 머리카락이나 옷 또는 장갑이 가동하는 기기 부위에 가까이 닿지 않도록 주의하십시오. 헐렁한 복장, 장신구 혹은 긴 머리는 가동 부위에 말려 사고를 초래할 수 있습니다.

- ▶ **분진 추출장치나 수거장치의 조립이 가능한 경우, 이 장치가 연결되어 있는지, 제대로 작동이 되는지 확인하십시오.** 이러한 분진 추출장치를 사용하면 분진으로 인한 사고 위험을 줄일 수 있습니다.

전동공구의 올바른 사용과 취급

- ▶ **기기를 과부하 상태에서 사용하지 마십시오.** 작업할 때 이에 적당한 전동공구를 사용하십시오. 알맞은 전동공구를 사용하면 지정된 성능 한도 내에서 더 효율적으로 안전하게 작업할 수 있습니다.
- ▶ **전원 스위치가 고장 난 전동공구를 사용하지 마십시오.** 전원 스위치가 작동되지 않는 전동공구는 위험하므로, 반드시 수리를 해야 합니다.
- ▶ **기기에 세팅을 하거나 액세서리 부품을 교환하거나 혹은 기기를 보관할 때, 항상 전원 콘센트에서 플러그를 미리 빼어 놓으십시오.** 이러한 조치는 실수로 전동공구가 작동하게 되는 것을 예방합니다.
- ▶ **사용하지 않는 전동공구는 어린이 손이 닿지 않는 곳에 보관하고, 전동공구 사용에 익숙지 않거나 이 사용 설명서를 읽지 않은 사람은 기기를 사용해서는 안 됩니다.** 경험이 없는 사람이 전동공구를 사용하면 위험합니다.
- ▶ **전동공구를 조심스럽게 관리하십시오.** 가동 부위가 하자 없이 정상적인 기능을 하는지, 걸리는 부위가 있는지, 혹은 전동공구의 기능에 중요한 부품이 손상되지 않았는지 확인하십시오. 손상된 기기의 부품은 전동공구를 다시 사용하기 전에 반드시 수리를 맡기십시오. 제대로 관리하지 않은 전동공구의 경우 많은 사고를 유발합니다.
- ▶ **절단 공구를 날카롭고 깨끗하게 관리하십시오.** 날카로운 절단면이 있고 잘 관리된 절단공구는 걸리는 경우가 드물고 조절하기도 쉽습니다.
- ▶ **전동공구, 액세서리, 장착하는 공구 등을 사용할 때, 이 지시 사항과 특별히 기종 별로 나와있는 사용 방법을 준수하십시오.** 이때 작업 조건과 실시하려는 작업 내용을 고려하십시오. 원래 사용 분야가 아닌 다른 작업에 전동공구를 사용할 경우 위험한 상황을 초래할 수 있습니다.

서비스

- ▶ **전동공구 수리는 반드시 전문 인력에게 맡기고, 수리 정비 시 보쉬 순정 부품만을 사용하십시오.** 그렇게 함으로써 기기의 안전성을 오래 유지할 수 있습니다.

전동 톨용 안전 수칙

- ▶ **작업할 때 톨날이 보이지 않는 전선이나 기기 자체의 코드에 닿을 위험이 있으면 전동공구의 절연된 손잡이 면을 잡으십시오.** 전류가 흐르는 전선에 접하게 되면 기기의 금속 부위에도 전기가 통해 감전될 위험이 있습니다.
- ▶ **절단 부위에 손을 가까이 대지 마십시오.** 작업물의 아래쪽을 잡지 마십시오. 날과 접하게 되면 상해를 입을 수 있습니다.

20 | 한국어

- ▶ **전동공구를 켜 상태에서만 작업물에 서서히 접근하십시오.** 그렇지 않으면 톱날이 작업물에 걸리면서 반동이 생길 위험이 있습니다.
- ▶ **톱질작업을 할 때 밀판 2가 항상 작업물에 닿아 있어야 합니다.** 그렇지 않으면 톱날이 걸릴 수 있으며 이로 인해 전동공구에 대한 통제를 잃을 수 있습니다.
- ▶ **작업을 마치고 나서 전동공구의 스위치를 끄고 기기가 완전히 정지된 후에 절단면에서 톱날을 빼십시오.** 이렇게 하면 반동이 생기는 것을 방지할 수 있으며 전동공구를 안전하게 내려 놓을 수 있습니다.
- ▶ **반드시 손상되지 않은 하자 없는 톱날만을 사용하십시오.** 휘거나 날카롭지 않은 톱날이 부러져 절단에 지장을 주거나 반동을 유발할 수 있습니다.
- ▶ **스위치를 끄고 나서 톱날을 옆에서 눌러 정지해서는 안됩니다.** 이로 인해 톱날이 손상되거나 부러질 수 있으며 혹은 반동을 유발할 수 있습니다.
- ▶ **작업하려는 소재를 잘 고정하십시오.** 작업물을 손이나 발로 받치지 마십시오. 전동 톱이 켜진 상태에서 다른 물건이나 바닥에 닿지 않도록 하십시오. 반동이 생길 위험이 있습니다.
- ▶ **보이지 않는 배관 설비를 확인하려면 적당한 탐지기를 사용하거나 담당 에너지 공급회사에 문의하십시오.** 전선에 접하게 되면 화재나 전기 충격을 야기할 수 있습니다. 가스관을 손상시키면 폭발 위험이 있습니다. 수도관을 파손하게 되면 재산 피해를 유발하거나 전기 충격을 야기할 수 있습니다.
- ▶ **전동공구를 두 손으로 꼭 잡고 안전한 자세로 작업하십시오.** 전동공구는 두 손으로 사용하면 더 안전합니다.
- ▶ **작업물을 잘 고정하십시오.** 고정장치나 기계 바이스에 끼워서 작업하면 손으로 잡는 것보다 더 안전합니다.
- ▶ **전동공구를 내려놓기 전에 기기가 완전히 멈추었는지를 확인하십시오.** 벨트가 걸려 전동공구에 대한 통제가 어려워질 수 있습니다.

제품 및 성능 소개



모든 안전수칙과 지시 사항을 상세히 읽고 지켜야 합니다. 다음의 안전수칙과 지시 사항을 준수하지 않으면 화재 위험이 있으며 감전 혹은 중상을 입을 수 있습니다.

규정에 따른 사용

본 전동공구는 목재 플라스틱 금속 그리고 건축 자재에 톱질작업을 하는 데 사용해야 합니다. 직선 및 곡선 절단작업에 적합합니다. 적당한 바이메탈 톱날을 사용하면 작업을 표면에 플러시 절단작업도 가능합니다. 권장하는 톱날을 사용해야 합니다.

제품의 주요 명칭

제품의 주요 명칭에 표기되어 있는 번호는 기기 그림이 나와있는 면을 참고하십시오.

- 1 톱날 *
- 2 각도 조절이 가능한 밀판
- 3 톱날 홀더
- 4 톱날 고정 슬라이브
- 5 리프팅 로드
- 6 톱 길이 고리
- 7 전원 스위치
- 8 시동 안전 잠금장치 (3 601 F4E 240)
전원 스위치 잠금 버튼 (3 601 F4E 280,
3 601 F4E 2B0, 3 601 F4E 2C0,
3 601 F4E 2K0, 3 601 F4E 2L0)
- 9 밀판 조절 버튼
- 10 "PowerLight" 램프
- 11 손잡이 (절연된 손잡이 부위)

*도면이나 설명서에 나와있는 액세서리는 표준 공급부품에 속하지 않습니다. 전체 액세서리는 저희 액세서리 프로그램을 참고하십시오.

제품 사양

| 전동 공 | GSA 1300 PCE | |
|-----------------------------|-------------------|----------|
| 제품 번호 | 3 601 F4E 2.. | |
| 소비 전력 | W | 1300 |
| 무부하 시 스트로크 수 n ₀ | min ⁻¹ | 0 - 2900 |
| 톱 홀더 | SDS | |
| 오비탈 작동 | ● | |
| 일정 속도 전자 제어 장치 | ● | |
| 스트로크 | mm | 28 |
| 최대 절단 깊이 | | |
| - 목재 | mm | 220 |
| - 비금속 | mm | 20 |
| - 파이프 직경 | mm | 175 |
| EPTA 공정 01:2014 에 따른 중량 | kg | 4.1 |
| 안전 등급 | □/II | |

자료는 정격 전압 [U] 230 V를 기준으로 한 것입니다. 전압이 낮거나 각국의 특수한 모델에 따라 달라질 수 있습니다.

조립

톱날 끼우기 / 교환하기

- ▶ **전동공구를 보수 정비하기 전에 반드시 콘센트에서 전원 플러그를 빼십시오.**
- ▶ **톱날을 끼울 때 보호 장갑을 착용하십시오.** 톱날에 닿게 되면 상해를 입을 수 있습니다.
- ▶ **톱날을 교환할 때 톱날 홀더에 절단 시 생기는 목재의 톱밥이나 금속 찌꺼기가 남아 있지 않은지 확인하십시오.**

톱날 선택하기

추천 톱날의 목록은 이 사용서의 앞부분에 나와 있습니다. 1/2" (12.7 mm)-유니버설 샤프트가 있는 톱날 만을 끼우십시오. 톱날이 계획한 절단 깊이보다 길어서는 안됩니다.

폭이 좁은 곡선 작업을 하려면 가는 톱날을 사용하십시오.

톱날 끼우기 (그림 A 참조)

톱날 고정 슬리브 4를 약 90° 정도 화살표 방향으로 돌리고 이 상태를 유지하십시오. 톱날 1을 톱날 홀더 3 안으로 끼워 누르고 나서 톱날 고정 슬리브 4를 다시 놓으십시오.

▶ **톱날이 제대로 끼워졌는지 확인해 보십시오.** 느슨하게 걸린 톱날은 빠질 수 있으며 이로 인해 작업자가 상해를 입을 수 있습니다.

특정한 작업을 할 경우 톱날 1을 또한 180° 돌린 다음 (톱날이 위로 향하게 하여) 다시 끼울 수 있습니다.

톱날 탈착하기 (그림 B 참조)

톱날 고정 슬리브 4를 약 90° 정도 화살표 방향으로 돌린 상태에서 톱날 1을 빼십시오.

분진 및 톱밥 추출장치

▶ 납 성분을 포함한 페인트나 몇몇 나무 종류, 또는 광물 성분 그리고 철과 같은 재료의 분진은 건강을 해칠 수 있습니다. 이 분진을 만지거나 호흡할 경우, 사용자나 주변 사람들은 알레르기 반응이나 호흡기 장애를 일으킬 수 있습니다.

떡갈나무나 너도밤나무와 같은 특정한 분진은 암을 유발시키며, 특히 목재 처리용으로 사용되는 부가 원료 (크로마트, 목재 보호제)와 혼합되면 암을 유발시키게 됩니다. 석면 성분을 포함한 재료는 오직 전문가가 작업을 해야 합니다.

- 작업장의 통풍이 잘 되도록 하십시오.
- 필터등급 P2가 장착된 호흡 마스크를 사용하십시오.

작업용 재료에 관해 국가가 지정한 규정을 고려하십시오.

▶ **작업장에 분진이 쌓이지 않도록 하십시오.** 분진이 쉽게 발화할 수 있습니다.

작동**작동 모드**

▶ **전동공구를 보수 정비하기 전에 반드시 콘센트에서 전원 플러그를 빼십시오.**

각도 조절과 깊이 조절이 가능한 밀판 (그림 C 참조)

밀판 2는 조절이 가능하므로 각각의 필요한 표면 각도 위치에 맞게 맞출 수 있습니다.

사용하는 톱날과 작업에 따라 밀판 2는 3 단계로 조절 가능합니다. 조절 버튼 9를 누른 상태에서 밀판 2를 원하는 위치로 미십시오. 조절 버튼 9를 놓고, 밀판 2

가 제대로 고정되어 있는지 확인하십시오. 밀판 2가 반드시 고정되어 있어야 합니다.

톱 길이 고리 (그림 D 참조)

톱 길이 고리 6이 있어서 전동공구를 사다리 등에 걸어 놓을 수 있습니다. 이 경우 톱 길이 고리 6을 원하는 위치로 펴십시오.

▶ **전동공구가 걸려 있을 때 실수로 톱날에 접촉하지 않도록 주의하십시오. 상해를 입을 위험이 있습니다.**

전동공구로 작업할 때는 톱 길이 고리 6을 다시 눌러 끼우십시오.

기계 시동

▶ **공공 배전 전압에 주의! 공급되는 전원의 전압은 전동공구의 명판에 표기된 전압과 동일해야 합니다.**

램프 10은 전원 플러그가 꽂혀 있으면 불이 들어와 조명 상태가 좋지 않은 환경에서 작업할 때 작업 부위를 환하게 합니다.

전원 스위치 작동 (3 601 F4E 240)

전동공구를 **작동하려면** 우선 시동 안전 잠금장치 8을 켜고 **그리고 나서** 전원 스위치 7을 누르거나 누른 상태를 유지하십시오.

전동공구의 **스위치를 끄려면** 전원 스위치 7을 놓으면 됩니다.

주의: 작업 안전을 위해 전원 스위치 7을 고정할 수 없으므로, 작동 중에 이를 계속 누른 채 유지해야 합니다.

전원 스위치 작동

(3 601 F4E 280, 3 601 F4E 2B0, 3 601 F4E 2C0, 3 601 F4E 2K0, 3 601 F4E 2L0)

전동공구를 **작동하려면** 전원 스위치 7을 누르고 누른 상태를 유지하십시오.

전원 스위치 7을 **누른 상태로** 유지하려면, 잠금 버튼 8을 누르십시오.

전동공구의 **스위치를 끄려면** 전원 스위치 7을 놓거나 잠금 버튼 8로 고정된 경우 전원 스위치 7을 살짝 눌렀다가 다시 놓습니다.

오비탈 작동

오비탈 기능은 절단 속도를 높이기 위해 작업 시 계속 작동되고 있습니다.

일정 속도 전자 제어 장치

일정 속도 전자제어장치는 무부하 시나 부하 시의 회전 속도를 거의 일정하게 유지하여 동일한 작업 결과를 보장합니다.

스트로크 수 조절하기 / 설정하기

전동공구가 켜진 상태에서 전원 스위치 7을 어느 정도 누르는가에 따라 스트로크 수를 무단으로 조절할 수 있습니다.

전원 스위치 7을 가볍게 누르면 저속으로 작동하고 강하게 누를수록 스트로크 수가 높아집니다.

22 | 한국어

작업 소재와 작업 조건에 따라 필요로 하는 스트로크 수가 달라지므로 실제 시험을 통해 결정할 수 있습니다. 톱날을 작업물에 대거나 플라스틱과 알루미늄에 톱질 작업을 할 때 스트로크 수를 감소하는 것이 좋습니다.

사용방법

참고

▶ **연질의 건축 자재에 톱질작업을 할 경우 법정 규정에 따르고 소재 제조사의 추천 내용을 준수하십시오.**

목재, 판지, 건축 자재 등에 톱질작업을 하기 전에 못이나 나사같은 이물질이 있는지 확인하고 이에 적당한 톱날을 사용하십시오.

전동공구의 스위치를 켜고 작업하려는 작업물에 접근하십시오. 밀판 2를 작업물 위에 올려 놓고 일정한 압력으로 밀면서 절단하십시오. 작업을 마치고 나서 전동공구의 스위치를 끕니다.

톱날이 물러 움직이지 않을 경우 곧바로 전동공구의 스위치를 끄십시오. 적당한 공구를 사용하여 톱날이 끼인 틈새를 약간 벌린 후 전동공구를 빼냅니다.

삽입 절단작업 (플러지 컷) (그림 E 참조)

▶ **삽입 톱질 방식은 목재와 석고판 등 연질의 소재 작업 시에만 사용해야 합니다! 금속 소재에는 삽입 톱질 방식으로 작업해서는 안됩니다!**

삽입 톱질작업을 하려면 반드시 짧은 톱날을 사용해야 합니다.

밀판 2 모서리가 작업물 표면에 닿게 놓은 다음, 전동공구의 스위치를 켭니다. 스트로크 수 제어장치가 있는 전동공구의 경우 최대 값으로 선택하십시오. 전동공구를 작업물에 대고 누르고 톱날을 천천히 작업물 안으로 들어가게 합니다.

밀판 2가 작업물 표면에 완전히 닿게 되면 원하는 절단선을 따라 계속 절단작업을 하십시오.

특정한 작업을 할 경우 톱날 1을 또한 180° 돌려서 끼우고 전동 톱을 이에 맞게 돌려서 사용할 수 있습니다.

플러지 절단작업 (그림 F 참조)

탄성이 있는 바이메탈 톱날을 사용하면 바로 벽 옆으로 나와있는 배수관 등의 건축 자재를 절단할 수 있습니다.

▶ **이때 톱날이 항상 작업하려는 소재의 직경보다 길어야 하는 것에 주의하십시오. 반동이 생길 위험이 있습니다.**

톱날을 벽 바로 옆에 대고 밀판이 벽에 닿을 때까지 전동공구에 가로 압력을 가하여 약간 휘게 합니다. 전동공구의 스위치를 켜고 일정한 가로 압력을 가하며 작업물을 절단하십시오.

냉각제 / 윤활제

금속에 톱질작업을 할 때 작업물이 과열되기 때문에 절단선을 따라 냉각제나 윤활제를 발라 주어야 합니다.

보수 정비 및 서비스

보수 정비 및 유지

▶ **전동공구를 보수 정비하기 전에 반드시 콘센트에서 전원 플러그를 빼십시오.**

▶ **안전하고 올바른 작동을 위하여 전동공구와 전동공구의 통풍구를 항상 깨끗이 하십시오.**

가능하면 압축 공기나 부드러운 솔을 사용하여 톱날 홀더를 깨끗이 닦아 주십시오. 이때 톱날을 전동공구에서 빼십시오. 적당한 윤활제를 사용하여 톱날 홀더의 기능을 유지하십시오.

전동공구가 지나치게 오염되어 있으면 기능 장애가 생길 수 있습니다. 그렇기 때문에 분진이 많이 발생하는 소재에 톱질작업을 할 때 아래서부터 또는 머리 위에서 작업하지 마십시오.

연결 코드를 교환해야 할 경우 안전을 기하기 위해 보쉬사나 보쉬 지정 전동공구 서비스 센터에 맡겨야 합니다.

세심한 제작과 검사에도 불구하고 전동공구가 불량한 경우가 있다면 보쉬 고객 지원본부나 가까운 보쉬 지정 전동공구 서비스 센터에 수리를 의뢰하십시오.

문의 사항이 있거나 스페어 부품을 주문할 때 반드시 전동공구의 타입 표시판에 적힌 10 자리의 제품 번호를 알려 주십시오.

보쉬 AS 및 고객 상담

보쉬는 귀하의 제품 및 수리에 관한 문의를 받고 있습니다.

AS 센터 정보 및 제품에 대한 고객 상담은 하기 고객 콜센터 및 이메일 상담을 이용해주시기 바랍니다.

고객 콜센터 : 080-955-0909

이메일 상담 :

Bosch-pt.hotline@kr.bosch.com

Bosch Korea, RBKR
Mechanics and Electronics Ltd.
PT/SAX-ASA

298 Bojeong-dong Giheung-gu
Yongin-si, Gyeonggi-do, 446-913

Republic of Korea

080-955-0909

처리

기기와 액세서리 및 포장 등은 친환경적인 방법으로 재활용할 수 있도록 분류하십시오.

전동공구를 가정용 쓰레기로 처리하지 마십시오!

위 사항은 사전 예고 없이 변경될 수도 있습니다.

ภาษาไทย

กฎระเบียบเพื่อความปลอดภัย

คำเตือนทั่วไปเพื่อความปลอดภัยในการใช้เครื่องมือไฟฟ้า

คำเตือน ต้องอ่านคำเตือนเพื่อความปลอดภัยและคำสั่งทั้งหมด การไม่ปฏิบัติตามคำเตือนและคำสั่งอาจเป็นสาเหตุให้ถูกไฟฟ้าดูด เกิดไฟไหม้ และ/หรือได้รับบาดเจ็บอย่างร้ายแรง

เก็บรักษาคำเตือนและคำสั่งทั้งหมดสำหรับเปิดอ่านในภายหลัง

คำว่า "เครื่องมือไฟฟ้า" ในคำเตือนหมายถึง เครื่องมือไฟฟ้าของท่านที่ทำงานด้วยพลังงานไฟฟ้าที่ต่อจากเต้าเสียบ (มีสายไฟฟ้า) และเครื่องมือไฟฟ้าที่ทำงานด้วยพลังงานไฟฟ้าจากแบตเตอรี่ (ไร้สาย)

ความปลอดภัยในสถานที่ทำงาน

- ▶ รักษาสถานที่ทำงานให้สะอาดและมีไฟส่องสว่างดี สถานที่ที่มีมืดหรือรกรุงรังนำมาซึ่งอุบัติเหตุ
- ▶ อย่าใช้เครื่องมือไฟฟ้าในสภาพแวดล้อมที่เสี่ยงต่อการติดระเบิดได้ เช่น ในพื้นที่มีของเหลว แก๊ส หรือฝุ่นที่ติดไฟได้ เมื่อใช้เครื่องมือไฟฟ้าจะเกิดประกายไฟซึ่งอาจจุดฝุ่นหรือไอให้ลุกเป็นไฟได้
- ▶ ขณะใช้เครื่องมือไฟฟ้าทำงาน ต้องกันเด็กและผู้ยืนดูให้ออกห่าง การหันเหความสนใจอาจทำให้ท่านขาดการควบคุมเครื่องได้

ความปลอดภัยเกี่ยวกับไฟฟ้า

- ▶ ปลั๊กของเครื่องมือไฟฟ้าต้องมีขนาดพอดีกับเต้าเสียบ อย่าตัดแปลงหรือแก้ไขตัวปลั๊กอย่างเด็ดขาด อย่าต่อปลั๊กต่อใดๆ เข้ากับเครื่องมือไฟฟ้าที่มีสายดิน ปลั๊กที่ไม่ตัดแปลงและเต้าเสียบที่เข้ากันช่วยลดความเสี่ยงจากการถูกไฟฟ้าดูด
- ▶ หลีกเลี่ยงไม่ให้ร่างกายสัมผัสกับพื้นผิวของสิ่งของที่ต่อสายดินไว้ เช่น ท่อ เครื่องทำความร้อน เตา และตู้เย็น จะเสี่ยงอันตรายจากการถูกไฟฟ้าดูดมากขึ้นหากกระแสไฟฟ้าวิ่งผ่านร่างกายของท่านลงดิน
- ▶ อย่าวางเครื่องมือไฟฟ้าคาบฝืนหรือทิ้งไว้ในที่ชื้นและหากน้ำเข้าในเครื่องมือไฟฟ้า จะเพิ่มความเสี่ยงจากการถูกไฟฟ้าดูด
- ▶ อย่าใช้สายไฟฟ้าอย่างผิดๆ อย่าถือเครื่องมือไฟฟ้าที่สาย อย่าใช้สายแฉวนเครื่อง หรืออย่าดึงสายไฟฟ้าเพื่อถอดปลั๊กออกจากเต้าเสียบ กันสายไฟฟ้าออกห่างจากความร้อน น้ำมัน ขอบแหลมคม หรือส่วนของเครื่องที่กำลังเคลื่อนไหว สายไฟฟ้าที่ชำรุดหรือพันกันยุ่งเพิ่มความเสี่ยงจากการถูกไฟฟ้าดูด
- ▶ เมื่อใช้เครื่องมือไฟฟ้าทำงานกลางแจ้ง ให้ใช้สายไฟที่ได้รับการรับรองให้ใช้ต่อในที่กลางแจ้งเท่านั้น การใช้สายไฟต่อที่เหมาะสมสำหรับงานกลางแจ้งช่วยลดอันตรายจากการถูกไฟฟ้าดูด

- ▶ หากไม่สามารถหลีกเลี่ยงการใช้เครื่องมือไฟฟ้าทำงานในสถานที่เปียกชื้นได้ ให้ใช้สวิทช์ตัดวงจรเมื่อเกิดการรั่วไหลของไฟฟ้าจากสายดิน การใช้สวิทช์ตัดวงจรเมื่อเกิดการรั่วไหลของไฟฟ้าจากสายดินช่วยลดความเสี่ยงต่อการถูกไฟฟ้าดูด

ความปลอดภัยของบุคคล

- ▶ ท่านต้องอยู่ในสภาพเตรียมพร้อม ระมัดระวังในสิ่งที่กำลังทำอยู่ และมีสติขณะใช้เครื่องมือไฟฟ้าทำงาน อย่าใช้เครื่องมือไฟฟ้าขณะที่ท่านกำลังเหนื่อย หรืออยู่ภายใต้การครอบงำของฤทธิ์ของยาเสพติด แอลกอฮอล์ และยา เมื่อใช้เครื่องมือไฟฟ้าทำงาน ในชิวนาที่ท่านขาดความเอาใจใส่อาจทำให้บุคคลบาดเจ็บอย่างรุนแรงได้
- ▶ ใช้อุปกรณ์ปกป้องร่างกาย สวมแว่นตาป้องกันเสมอ อุปกรณ์ปกป้อง เช่น หน้ากากกันฝุ่น รองเท้ากันลื่น หมวกแข็ง หรือประคบหูกันเสียงดัง ที่เลือกให้ตามความเหมาะสมกับสภาพการทำงาน สามารถลดอันตรายต่อบุคคลได้
- ▶ ป้องกันการติดเครื่องโดยไม่ตั้งใจ ต้องดูให้แน่ใจว่าสวิทช์อยู่ในตำแหน่งปิดก่อนเสียบปลั๊กไฟเข้าไปในเต้าเสียบ และ/หรือใส่แท่งแบตเตอรี่ ชิวขึ้นหรือถือเครื่องมือ การถือเครื่องโดยใช้นิ้วหัวที่สวิทช์ หรือเสียบพลังไฟฟ้าขณะสวิทช์เปิดอยู่ อาจนำไปสู่อุบัติเหตุที่ร้ายแรงได้
- ▶ เอาเครื่องมือปรับแต่งหรือประแจปากตายออกจากเครื่องมือไฟฟ้าก่อนเปิดสวิทช์ เครื่องมือหรือประแจปากตายที่วางอยู่กับส่วนของเครื่องที่กำลังหมุนจะทำให้บุคคลบาดเจ็บได้
- ▶ หลีกเลี่ยงการดัดงอที่ผิดปกติ ดึงทำยี่ห้อที่มันคงและวางน้ำหนักให้สมดุลตลอดเวลา ในลักษณะนี้ท่านสามารถควบคุมเครื่องมือไฟฟ้าในสถานการณ์ที่ไม่คาดคิดได้ดีกว่า
- ▶ ใส่เสื้อผ้าที่เหมาะสม อย่าใส่เสื้อผ้าหลวมหรือสวมเครื่องประดับ เอาหมวก เสื้อผ้า และถุงมือออกจากส่วนของเครื่องที่กำลังหมุน เสื้อผ้าหลวม เครื่องประดับ และผมยาวอาจเข้าไปติดในส่วนของเครื่องที่กำลังหมุนได้
- ▶ หากต้องต่อเครื่องมือไฟฟ้าเข้ากับเครื่องดูดฝุ่นหรือเครื่องเก็บผง ดูให้แน่ใจว่าการเชื่อมต่อและการใช้งานเป็นไปอย่างถูกต้อง การใช้อุปกรณ์ดูดฝุ่นช่วยลดอันตรายที่เกิดจากฝุ่นได้

การใช้และการดูแลรักษาเครื่องมือไฟฟ้า

- ▶ อย่าใช้เครื่องมือไฟฟ้าอย่างหักโหม ใช้เครื่องมือไฟฟ้าที่ถูกต้องตรงตามลักษณะงาน เครื่องมือไฟฟ้าที่ถูกต้องจะทำงานได้ดีกว่าและปลอดภัยกว่าในระดับสมรรถภาพที่ออกแบบไว้
- ▶ อย่าใช้เครื่องมือไฟฟ้าที่สวิทช์เปิดปิดเสีย เครื่องมือไฟฟ้าที่ไม่สามารถควบคุมการเปิดปิดด้วยสวิทช์ได้ เป็นเครื่องมือไฟฟ้าที่ไม่ปลอดภัยและต้องส่งซ่อมแซม
- ▶ ก่อนปรับแต่งเครื่อง เปลี่ยนอุปกรณ์ประกอบหรือเก็บเครื่องเข้าที่ ต้องถอดปลั๊กไฟออกจากเต้าเสียบและ/หรือถอดแท่งแบตเตอรี่ออกจากเครื่องมือไฟฟ้า มาตรการป้องกันเพื่อความปลอดภัยนี้ช่วยลดความเสี่ยงจากการติดเครื่องโดยไม่ตั้งใจ

24 | ภาษาไทย

- ▶ เมื่อเลิกใช้งานเครื่องมือไฟฟ้า ให้เก็บเครื่องไว้ในที่เด็กหยิบไม่ถึง และไม่อนุญาตให้บุคคลที่ไม่คุ้นเคยกับเครื่องมือบุคคลที่ไม่ได้อ่านคำแนะนำนี้ใช้เครื่องมือไฟฟ้าเป็นของอันตรายหากตกอยู่ในมือของผู้ใช้ที่ไม่ได้รับการฝึกฝน
- ▶ เอาใจใส่ดูแลรักษาเครื่อง ตรวจสอบหาส่วนที่เคลื่อนไหวได้ของเครื่องว่าวางอยู่ตรงแนวหรือติดขัดหรือไม่ ตรวจสอบการแตกหักของชิ้นส่วนและสภาพอื่นใดที่อาจมีผลต่อการทำงานของเครื่องมือไฟฟ้า หากชำรุดต้องส่งเครื่องมือไฟฟ้าซ่อมแซมก่อนใช้งาน อุบัติเหตุหลายอย่างเกิดขึ้นเนื่องจากดูแลรักษาเครื่องไม่ดีพอ
- ▶ รักษาเครื่องมือตัดให้คมและสะอาด หากบำรุงรักษาเครื่องมือที่มีขอบตัดแหลมคมอย่างถูกต้อง จะสามารถตัดได้ลื่นไม่ติดขัดและควบคุมได้ง่ายกว่า
- ▶ ใช้เครื่องมือไฟฟ้า อุปกรณ์ประกอบ เครื่องมือ และอุปกรณ์อื่นๆ ให้ตรงตามคำแนะนำนี้ และในลักษณะตามที่เครื่องมือไฟฟ้าประเภทนี้ๆ กำหนดไว้ โดยต้องคำนึงถึงเงื่อนไขการทำงานและงานที่จะทำด้วย การใช้เครื่องมือไฟฟ้าทำงานที่ต่างไปจากวัตถุประสงค์การใช้งานของเครื่อง อาจนำไปสู่สถานการณ์ที่เป็นอันตรายได้

การบริการ

- ▶ ส่งเครื่องมือไฟฟ้าให้ช่างผู้เชี่ยวชาญตรวจสอบและใช้อะไหล่เปลี่ยนของแท้เท่านั้น ในลักษณะนี้ท่านจะแน่ใจได้ว่าเครื่องมือไฟฟ้าอยู่ในสภาพที่ปลอดภัย

คำเตือนเพื่อความปลอดภัยสำหรับผู้ออกประสงค์

- ▶ เมื่อทำงานในบริเวณที่อุปกรณ์ตัดอาจสัมผัสกับสายไฟฟ้าที่ซ่อนอยู่หรือสายไฟฟ้าของเครื่อง ต้องจับเครื่องมือไฟฟ้าตรงตามจับที่หุ้มฉนวน หากอุปกรณ์ตัดสัมผัสกับสายที่มีกระแสไฟฟ้าไหลผ่านจะทำให้ส่วนที่เป็นโลหะของเครื่องมือไฟฟ้าเกิดมีกระแสไฟฟ้าด้วย และส่งผลให้ผู้ใช้เครื่องมือถูกไฟฟ้ากระตุกได้
- ▶ เหนือมือออกจากบริเวณแนวเลื่อย อย่าเอื้อมมือเข้าได้ชิ้นงาน การสัมผัสกับใบเลื่อยจะทำให้บาดเจ็บได้
- ▶ จับเครื่องเข้าหาชิ้นงานเมื่อเครื่องเปิดทำงานอยู่เท่านั้น มิฉะนั้นอาจได้รับอันตรายจากการตีกลับหากเครื่องมือติดขัดอยู่ในชิ้นงาน
- ▶ ขณะเลื่อย แผ่นฐานปรับได้ 2 ต้องหันหน้าเข้าหาชิ้นงานเสมอ ใบเลื่อยอาจติดขัด และอาจทำให้ขาดการบังคับเครื่องได้
- ▶ เมื่อเสร็จงานตัด ให้ปิดสวิทช์เครื่อง และดึงใบเลื่อยออกจากร่องตัดเมื่อใบเลื่อยหยุดนิ่งอยู่กับที่แล้วเท่านั้น ในลักษณะนี้ท่านสามารถหลีกเลี่ยงการตีกลับ และวางเครื่องลงได้อย่างปลอดภัย
- ▶ ใช้เฉพาะ ใบเลื่อยที่ไม่ชำรุดและไม่มีตำหนิเท่านั้น ใบเลื่อยที่ทื่อหรือบิดงอสามารถแตกหัก ส่งผลเชิงลบต่อการตัด หรือทำให้เกิดการตีกลับได้
- ▶ เมื่อปิดสวิทช์เครื่องแล้ว อย่าเบรคใบเลื่อยให้หยุดวิ่งโดยการกดลงด้านข้าง ใบเลื่อยอาจชำรุด แตกหัก หรือทำให้เกิดการตีกลับได้

- ▶ ห้ามบังคับให้ติ อย่าใช้มือหรือเท้าหนุนชิ้นงานไว้ อย่าให้ใบเลื่อยที่วิ่งอยู่สัมผัสกับพื้นหรือวัตถุ อันตรายจากการตีกลับ
- ▶ ใช้เครื่องตรวจที่เหมาะสมตรวจหาท่อ สายไฟฟ้า หรือสายโทรศัพท์ ที่อาจซ่อนอยู่ในบริเวณที่ทำงาน หรือขอความช่วยเหลือจากบริษัทสาธารณูปโภคในท้องถิ่น การสัมผัสกับสายไฟฟ้าอาจทำให้เกิดไฟไหม้หรือถูกไฟฟ้าดูด การทำให้ท่อแก๊สเสียหายอาจทำให้เกิดระเบิด การเจาะเข้าในท่อน้ำทำให้ทรัพย์สินเสียหาย หรืออาจเป็นเหตุให้ถูกไฟฟ้าดูดได้
- ▶ เมื่อใช้เครื่องทำงาน ต้องใช้มือทั้งสองจับเครื่องให้แน่น และตั้งทำยี่ห้อที่มั่นคงเสมอ เครื่องมือไฟฟ้าสามารถเคลื่อนนำได้มั่นคงกว่าเมื่อใช้มือทั้งสองข้างจับ
- ▶ ยึดชิ้นงานให้แน่น การยึดชิ้นงานด้วยเครื่องหนีบหรือแท่นจับจะมั่นคงกว่าการยึดด้วยมือ
- ▶ ก่อนวางเครื่องลงบนพื้นทุกครั้งต้องรอให้เครื่องหยุดนิ่งอยู่กับที่เสมอ มิฉะนั้นเครื่องมือที่ใส่อยู่อาจติดขัดและนำไปสู่การสูญเสียการควบคุมเครื่องมือไฟฟ้า

รายละเอียดผลิตภัณฑ์และข้อมูลจำเพาะ



ต้องอ่านคำเตือนเพื่อความปลอดภัยและคำสั่งทั้งหมด การไม่ปฏิบัติตามคำเตือนและคำสั่งอาจเป็นสาเหตุให้ถูกไฟฟ้าดูด เกิดไฟไหม้ และ/หรือได้รับบาดเจ็บอย่างร้ายแรง

ประโยชน์การใช้งานของเครื่อง

เครื่องนี้ใช้สำหรับเลื่อยไม้ พลาสติก โลหะ และวัสดุก่อสร้าง โดยต้องวางเครื่องอย่างมั่นคงลงบนชิ้นงาน เครื่องนี้เหมาะสำหรับการตัดแนวตรงและตัดตามโค้ง เมื่อใช้ใบเลื่อยที่ทำจากโลหะสองชนิดซ้อนกัน (bimetal) ที่เหมาะสม จะสามารถตัดออกได้ราบเสมอกับผิวชิ้นงาน อ่านและปฏิบัติตามข้อแนะนำเกี่ยวกับใบเลื่อย

ส่วนประกอบผลิตภัณฑ์

ลำดับเลขของส่วนประกอบผลิตภัณฑ์อ้างอิงถึงส่วนประกอบของเครื่องที่แสดงในหน้าภาพประกอบ

- 1 ใบเลื่อย*
- 2 แผ่นฐานปรับได้
- 3 ที่จับใบเลื่อย
- 4 ปกป้องสำหรับล้อใบเลื่อย
- 5 ก้านขยับชัก
- 6 ตะขอแขวน
- 7 สวิทช์เปิด-ปิด
- 8 ปุ่มล็อกไม่ให้สวิทช์เปิด-ปิดทำงาน (3 601 F4E 240)
ปุ่มล็อกสวิทช์เปิด-ปิด (3 601 F4E 280,
3 601 F4E 2B0, 3 601 F4E 2C0,
3 601 F4E 2K0, 3 601 F4E 2L0)
- 9 ปุ่มปลดแผ่นฐาน

10 หลอดไฟ "PowerLight"

11 ด้ามจับ (พื้นผิวจับหุ้มฉนวน)

*อุปกรณ์ประกอบที่แสดงหรือระบุไม่รวมอยู่ในการจัดส่งมาตรฐาน
กรุณาดูอุปกรณ์ประกอบทั้งหมดในรายการแสดงอุปกรณ์ประกอบ
ของเรา

ข้อมูลทางเทคนิค

| เลื่อยอเนกประสงค์ | | GSA 1300 PCE | |
|----------------------------------------------------------------------------------------------------------------------------------------------|----------|---------------|--|
| หมายเลขสินค้า | | 3 601 F4E 2.. | |
| กำลังไฟฟ้าเข้ากำหนด | วัตต์ | 1300 | |
| ความเร็วรอบเดินตัวเปล่า n_0 | รอบ/นาที | 0 - 2900 | |
| ด้ามจับเครื่องมือ | | SDS | |
| การเตะ | | ● | |
| การควบคุมค่าคงที่ด้วยระบบอิเล็กทรอนิกส์ | | ● | |
| ระยะช่วงชัก | มม. | 28 | |
| ความสามารถในการเลื่อยสูงสุด | | | |
| - ในไม้ | มม. | 220 | |
| - ในเหล็กกล้า | มม. | 20 | |
| - เส้นผ่าศูนย์กลางท่อ | มม. | 175 | |
| น้ำหนักตามระเบียบการ-EPTA-Procedure 01:2014 | กก. | 4.1 | |
| ระดับความปลอดภัย | | □/II | |
| ค่าที่ใช้ใช้ได้กับแรงดันไฟฟ้าระบุ [U] 230 โวลต์ ค่าเหล่านี้อาจผิดเพี้ยนไปสำหรับแรงดันไฟฟ้าที่ต่าง ๆ และ โมเดลที่สร้างสำหรับเฉพาะประเทศ | | | |

การประกอบ

การเปลี่ยน/การใส่ใบเลื่อย

- ▶ **ดึงปลั๊กไฟออกจากเต้าเสียบก่อนปรับแต่งเครื่อง**
- ▶ **เมื่อประกอบใบเลื่อยเข้า ต้องสวมถุงมือป้องกัน**
เมื่อสัมผัสใบเลื่อยอาจได้รับอันตรายบาดเจ็บ
- ▶ **เมื่อเปลี่ยนใบเลื่อย ระวังคมตัดอย่าให้มีเศษวัสดุติดอยู่ที่**
ที่จับใบเลื่อย ต. ย. เช่น ซีเลื่อยไม้หรือโลหะ

การเลือกใบเลื่อย

การอธิบายโดยสรุปเกี่ยวกับใบเลื่อยที่แนะนำให้ใช้ กรุณา
ดูจากตอนต้นของหนังสือคู่มือการใช้งาน ให้ใช้เฉพาะใบเลื่อย
ที่มีก้านสากล 8½" เท่านั้น ใบเลื่อยต้องไม่ยาวเกินความหนา
ที่ต้องการตัดมากนัก

ใช้ใบเลื่อยบางสำหรับการตัดโค้งแคบ

การใส่ใบเลื่อย (คุณภาพประกอบ A)

หมุนปลอกสำหรับล็อก 4 ประมาณ 90° ไปในทิศทางลูกศร
และจับค้ำไว้ ดันใบเลื่อย 1 เข้าในที่จับใบเลื่อย 3 ปลอย
ปลอกสำหรับล็อก 4 อีกครั้ง

- ▶ **ตรวจสอบให้ใบเลื่อยเข้าที่อย่างมั่นคง** ใบเลื่อยที่ใส่ไว้
หลวมๆ อาจหลุดออกมาและทำให้บาดเจ็บได้

สำหรับงานบางประเภท ใบเลื่อย 1 สามารถหมุนกลับด้านไป
180° ได้ด้วย (พื้นหันขึ้นด้านบน) และใส่ใบเลื่อยกลับเข้าไป
อีกครั้ง

การถอดใบเลื่อย (คุณภาพประกอบ B)

หมุนปลอกสำหรับล็อก 4 ประมาณ 90° ไปในทิศทางลูกศร
และจับค้ำไว้ ถอดใบเลื่อย 1 ออก

การดูแล/ซีเลื่อย

- ▶ **ฝุ่นที่ได้จากวัสดุ เช่น เคลือบผิวที่มีสารตะกั่ว ไม้บางประเภท**
แร่ธาตุ และโลหะ อาจเป็นอันตรายต่อสุขภาพ การสัมผัส
หรือการหายใจเอาฝุ่นเข้า ไปอาจทำให้เกิดปฏิกิริยาแพ้ฝุ่น
และ/หรือนำมาซึ่งโรคติดเชื้อระบบหายใจแก่ผู้ใช้เครื่อง
หรือผู้ที่ยืนอยู่ใกล้เคียง
ฝุ่นบางประเภท เช่น ฝุ่นไม้โอ๊ก หรือ ไม้บีช นับเป็นสารที่
ทำให้เกิดมะเร็ง โดยเฉพาะอย่างยิ่งเมื่อผสมกับสารเติมแต่ง
เพื่อบำบัดไม้ (โครเมต ผลิตภัณฑ์รักษาเนื้อไม้) สำหรับวัสดุ
ที่มีแอลเบสทอลต้องให้ผู้เชี่ยวชาญทำงานเท่านั้น
 - จัดสถานที่ทำงานให้มีกระแสลมพัดอากาศที่ดี
 - ขอแนะนำให้ผู้สวมหน้ากากป้องกันการติดเชื้อที่มี
ระดับ-ไลกรอง P2

ปฏิบัติตามกฎข้อบังคับสำคัญอื่นๆ ที่เกี่ยวกับวัสดุชิ้นงาน
ที่บังคับใช้ในประเทศของท่าน

- ▶ **ป้องกันการกระแทกของฝุ่นในสถานที่ทำงาน** ฝุ่นสามารถ
ถูกโยนอย่างง่ายตาย

การปฏิบัติงาน

วิธีการปฏิบัติงาน

- ▶ **ดึงปลั๊กไฟออกจากเต้าเสียบก่อนปรับแต่งเครื่อง**

แผ่นฐานที่หมุนรอบและชักขึ้นได้ (คุณภาพประกอบ C)

แผ่นฐาน 2 สามารถเลื่อนไหวไปมา จึงปรับให้เข้ากับ
ตำแหน่งมุมที่ต้องการบนพื้นผิวชิ้นงานได้

ขึ้นอยู่กับใบเลื่อยที่ใช้และการประยุกต์ใช้ ท่านสามารถ
เคลื่อนย้ายแผ่นฐาน 2 ไปตามยาวได้สามชั้น ให้กดปุ่มปลด
แผ่นฐาน 9 และเลื่อนแผ่นฐาน 2 ไปยังตำแหน่งที่ต้องการ
ปล่อยปุ่มปลดแผ่นฐาน 9 และตรวจสอบให้แผ่นฐาน 2
เข้าล็อกอย่างแน่นหนา เลื่อนแผ่นฐาน 2 ตามต้องการจน
แผ่นฐานเข้าล็อกอย่างแน่นหนา

ตะขอแขวน (คุณภาพประกอบ D)

เครื่องมือไฟฟ้าของท่านมีตะขอแขวน 6 ประกอบ
ติดอยู่เพื่อใช้แขวนเครื่อง ต. ย. เช่น แขวนกับบันได และอื่นๆ
เพียงจางตะขอแขวน 6 ขึ้นไปยังตำแหน่งที่ต้องการเท่านั้น

- ▶ **เมื่อแขวนเครื่องมือไฟฟ้าด้วยตะขอแขวน**
ต้องระมัดระวังปกป้องใบเลื่อยไม่ให้สัมผัสกับสิ่งใดโดย
ไม่ตั้งใจ อันตรายจากการบาดเจ็บ

พับตะขอแขวน 6 กลับเข้าที่เมื่อพร้อมจะทำงานต่อ

26 | ภาษาไทย

เริ่มต้นปฏิบัติงาน

- ▶ **ให้สังเกตแรงดันไฟฟ้า! แรงดันไฟฟ้าจากแหล่งจ่ายไฟฟ้าต้องมีค่าตรงกับค่าแรงดันไฟฟ้าที่ระบุไว้บนแผ่นป้ายพิกัดเครื่อง**

หลอดไฟ "Power Light " 10 จะติดขึ้นเมื่อเสียบปลั๊กไฟหลัก และจะส่องสว่างบริเวณทำงานที่มีแสงไม่เพียงพอ

การเปิด-ปิดเครื่อง (3 601 F4E 240)

เปิดเครื่องทำงานโดยในเมืองต้นให้กดปุ่มล็อคไม่ให้สวิตช์เปิด-ปิดทำงาน 8 และจากนั้นจึงกดสวิตช์เปิด-ปิด 7 และกดค้างไว้

ปิดเครื่องโดยปล่อยนิ้วจากสวิตช์เปิด-ปิด 7

หมายเหตุ: ด้วยเหตุผลด้านความปลอดภัย จึงไม่สามารถล๊อคสวิตช์เปิด-ปิด 7 ได้ จะต้องกดสวิตช์เปิด-ปิดตลอดเวลาปฏิบัติงาน

การเปิด-ปิดเครื่อง

(3 601 F4E 280, 3 601 F4E 2B0, 3 601 F4E 2C0, 3 601 F4E 2K0, 3 601 F4E 2L0)

เปิดเครื่องทำงานโดยกดสวิตช์เปิด-ปิด 7 และกดค้างไว้

ล๊อคสวิตช์เปิด-ปิด 7 ที่กดค้างไว้ โดยกดปุ่มล๊อคสวิตช์เปิด-ปิด 8

ปิดเครื่องโดยปล่อยนิ้วจากสวิตช์เปิด-ปิด 7 หรือในกรณีที่ถูกล๊อคด้วยปุ่มล๊อค 8 อยู่ ให้กดสวิตช์เปิด-ปิด 7 สั้นๆ และปล่อยนิ้ว

การเตะ

การเตะทำงานอย่างต่อเนื่อง ทั้งนี้เพื่อจะได้ความเร็วการตัดสูง

การควบคุมค่าคงที่ด้วยระบบอิเล็กทรอนิกส์

ตัวควบคุมค่าคงที่ด้วยระบบอิเล็กทรอนิกส์ทำให้อัตราขับเคลื่อนตัวเปล่าและขณะใช้งานมีค่าเกือบคงที่ และทำให้ทำงานได้อย่างมีประสิทธิภาพสม่ำเสมอ

การควบคุม/การตั้งความเร็วรอบล่วงหน้า

ท่านสามารถควบคุมอัตราขับเคลื่อนของเครื่องที่เปิดสวิตช์ไว้ได้อย่างต่อเนื่อง โดยเพิ่มหรือลดแรงกดบนสวิตช์เปิด-ปิด 7

เมื่อกดบนสวิตช์เปิด-ปิด 7 เบาๆ จะได้ความเร็วรอบขับเคลื่อนต่ำ ถ้ากดแรงขึ้น ความเร็วรอบขับเคลื่อนก็จะเพิ่มขึ้นด้วย

เกณฑ์จังหวะขับเคลื่อนที่ต้องใช้ขึ้นอยู่กับประเภทวัสดุชิ้นงาน และเงื่อนไขการทำงาน การทดลองภาคปฏิบัติจะช่วยให้ได้เกณฑ์จังหวะที่ดีที่สุด

ขอแนะนำให้ลดอัตราขับเคลื่อนของสวิตช์เข้าในวัสดุชิ้นงาน และเมื่อเลือกพลาสติกและอะลูมิเนียม

ข้อแนะนำในการทำงาน

คำแนะนำ

- ▶ **เมื่อเลือกวัสดุก่อสร้างน้ำหนักเบา ต้องปฏิบัติตามข้อกำหนดทางกฎหมายและข้อแนะนำของบริษัทผลิตวัสดุก่อสร้าง**

ก่อนเลือกใช้ให้ตรวจสอบไม้ ไม้อัดพาร์ติเคิล วัสดุก่อสร้างและอื่นๆ เพื่อหาวัตถุแปลกปลอม เช่น ตะปู สกรู หรือวัตถุคล้ายคลึงอื่นๆ และใช้ใบเลื่อยที่ถูกต้องเสมอ

เปิดสวิตช์เครื่องและเคลื่อนเครื่องเข้าหาชิ้นงาน วางแผ่นฐาน 2 ทาบลงบนผิวหน้าชิ้นงาน และเลื่อยวัสดุออกโดยใช้แรงกดสัมพันธ์และการป้อนที่สม่ำเสมอ เมื่อกระบวนการทำงานสิ้นสุด ให้ปิดสวิตช์เครื่อง

หากใบเลื่อยติดขัด ให้ปิดสวิตช์เครื่องทันที ถ่างร่องตัดเล็กน้อยด้วยเครื่องมือที่เหมาะสม และดึงเครื่องออก

การจ้วงตัด (ดูภาพประกอบ E)

- ▶ **กระบวนการจ้วงตัดเหมาะสำหรับนำมาใช้กับวัสดุเนื้ออ่อน เช่น ไม้ แผ่นกระดานปิดฝาผนัง (plaster board) หรือวัสดุคล้ายคลึงเท่านั้น! อย่าเลื่อยวัสดุที่เป็นโลหะด้วยกระบวนการจ้วงตัด!**

สำหรับการจ้วงตัด ให้ใช้เฉพาะใบเลื่อยสั้นเท่านั้น

วางเครื่องโดยให้ขอบแผ่นฐาน 2 แตะลงบนชิ้นงานและเปิดสวิตช์เครื่อง สำหรับเครื่องมือไฟฟ้าที่มีการควบคุมความเร็ว ชั่วขณะ ให้ตั้งความเร็วขับเคลื่อนสูงสุด กดเครื่องมือไฟฟ้าเข้าหาชิ้นงานอย่างมั่นคง และให้ใบเลื่อยจ้วงเข้าในชิ้นงานอย่างช้าๆ

ในทันทีที่แผ่นฐาน 2 วางทาบเต็มบนพื้นผิวชิ้นงาน ให้เลื่อยต่อไปตามรอยตัดที่ต้องการ

สำหรับงานบางประเภท ใบเลื่อย 1 สามารถใส่หมุนกลับด้านไป 180° ได้ด้วย และเลื่อยขอบกระดงสามารถเคลื่อนนำในลักษณะกลับทางตามไปด้วย

การตัดเรียบเสมอกัน (ดูภาพประกอบ F)

เมื่อใช้ใบเลื่อยที่ทำจากโลหะสองชนิดซ้อนกัน (bimetal) ที่ยืดหยุ่น สิ่งของที่ยังคงติดอยู่กับฝาผนัง (ต.ย. เช่น ชิ้นส่วนก่อสร้างที่ยื่นออกมา เช่น ท่อน้ำ) สามารถเลื่อยออกได้เรียบเสมอกับฝาผนัง

- ▶ **เอาใจใส่ให้ใบเลื่อยยื่นพ้นความหนาชิ้นงานที่จะเลื่อยเสมอกันตรงจากการตัดกลับ**

วางใบเลื่อยแนบกับฝาผนังโดยตรง และตัดใบเลื่อยให้โค้งเล็กน้อยโดยใช้แรงกดที่ด้านข้างของเครื่องจนแผ่นฐานชิดกับฝาผนัง เปิดสวิตช์เครื่องมือไฟฟ้าและเลื่อยผ่านชิ้นงานโดยใช้แรงกดลงด้านข้างอย่างสม่ำเสมอ

สารหล่อเย็น/น้ำมันหล่อลื่น

เมื่อเลื่อยโลหะ ให้ใช้โลหะหล่อเย็น/น้ำมันหล่อลื่นตามรอยตัดเนื่องจากวัสดุร้อนขึ้น

การบำรุงรักษาและการบริการ

การบำรุงรักษาและการทำความสะอาด

- ▶ **ดึงปลั๊กไฟออกจากเต้าเสียบก่อนปรับแต่งเครื่อง**
- ▶ **เพื่อให้ทำงานได้อย่างถูกต้องและปลอดภัย ต้องรักษาเครื่องและช่องระบายอากาศให้สะอาดอยู่เสมอ**

ทำความสะอาดที่จับใบเลื่อยในเมืองต้นด้วยอากาศอัดหรือใช้แปรงขนอ่อนปัด สำหรับการทำความสะอาด ให้ถอดใบเลื่อยออกจากตัวเครื่อง เพื่อให้ที่จับใบเลื่อยทำงานอย่างถูกต้อง ให้ใช้ลมด้วยน้ำมันหล่อลื่นที่เหมาะสม

หากเครื่องสกปรกมาก เครื่องอาจทำงานผิดปกติได้ ดังนั้นอย่าเลื่อยวัสดุที่ฝุ่นมาจากทางด้านล่างหรือเลื่อยเหนือบีร์ชะ

เมื่อจำเป็นต้องเปลี่ยนสายไฟฟ้า ให้ส่งเครื่องให้บริษัท บ็อชหรือศูนย์บริการลูกค้าสำหรับเครื่องมือไฟฟ้า บ็อช ที่ได้รับมอบหมายทำการเปลี่ยนให้ เพื่อหลีกเลี่ยงอันตรายด้านความปลอดภัย

เครื่องมือไฟฟ้านี้ผ่านกรรมวิธีการผลิตและตรวจสอบอย่างละเอียดถี่ถ้วนมาแล้ว ถึงกระนั้น หากเครื่องเกิดขัดข้อง ต้องส่งเครื่องให้ศูนย์บริการหลังการขายสำหรับเครื่องมือไฟฟ้า บ็อช ซ่อมแซม

เมื่อต้องการสอบถามและสั่งซื้ออะไหล่ กรุณาแจ้งหมายเลขสินค้าหลักบนแผ่นป้ายรุ่นของเครื่องทุกครั้ง

การบริการหลังการขายและคำแนะนำการใช้งาน

ศูนย์บริการหลังการขายของเรายินดีตอบคำถามเกี่ยวกับการบำรุงรักษาและการซ่อมแซมผลิตภัณฑ์ของท่าน รวมทั้งชิ้นส่วนอะไหล่ ภาพแยกชิ้นประกอบและข้อมูลเกี่ยวกับชิ้นส่วนอะไหล่ยังสามารถดูได้ใน:

www.bosch-pt.com

ทีมงานให้คำแนะนำการใช้งานของ บ็อช ยินดีตอบคำถามเกี่ยวกับผลิตภัณฑ์ของเราและอุปกรณ์ประกอบของผลิตภัณฑ์

ในกรณีประกัน ซ่อมแซม หรือซื้อชิ้นส่วนมาเปลี่ยน กรุณาติดต่อ ผู้ขายที่ได้รับแต่งตั้งเท่านั้น

ไทย

บริษัท โรเบิร์ต บ็อช จำกัด
ชั้น 11 ตึกลิเบอร์ตี สแควร์
287 ถนนสีลม บางรัก

กรุงเทพฯ 10500

โทรศัพท์ 02 6393111, 02 6393118

โทรสาร 02 2384783

บริษัท โรเบิร์ต บ็อช จำกัด ตู้ ปณ. 2054

กรุงเทพฯ 10501 ประเทศไทย

www.bosch.co.th

ศูนย์บริการซ่อมและฝึกอบรม บ็อช
อาคาร ลานชาลาทาวเวอร์ ชั้น G ห้องเลขที่ 2
บ้านเลขที่ 10/11 หมู่ 16

ถนนศรีนครินทร์

ตำบลบางแก้ว อำเภอบางพลี

จังหวัดสมุทรปราการ 10540

ประเทศไทย

โทรศัพท์ 02 7587555

โทรสาร 02 7587525

การกำจัดขยะ

เครื่องมือ อุปกรณ์ประกอบ และที่บ่อ ต้องนำไปแยกประเภทวัสดุเพื่อนำกลับมาใช้ใหม่โดยไม่ทำลายสภาพแวดล้อม

อย่าทิ้งเครื่องมือไฟฟ้าลงในขยะบ้าน!

ขอสงวนสิทธิ์ในการเปลี่ยนแปลงโดยไม่ต้องแจ้งล่วงหน้า

Bahasa Indonesia

Petunjuk-Petunjuk untuk Keselamatan Kerja

Petunjuk-Petunjuk Umum untuk Perkakas Listrik

⚠ PERHATIKANLAH Bacalah semua petunjuk-petunjuk untuk keselamatan kerja dan petunjuk-petunjuk untuk penggunaan.

Kesalahan dalam menjalankan petunjuk-petunjuk untuk keselamatan kerja dan petunjuk-petunjuk untuk penggunaan dapat mengakibatkan kontak listrik, kebakaran dan/atau luka-luka yang berat.

Simpanlah semua petunjuk-petunjuk untuk keselamatan kerja dan petunjuk-petunjuk lainnya untuk penggunaan di masa depan.

Kata "perkakas listrik" yang disebutkan di dalam petunjuk-petunjuk untuk keselamatan kerja adalah sebutan untuk perkakas listrik pakai listrik jaringan (dengan kabel) dan untuk perkakas listrik tenaga baterai (tanpa kabel listrik).

Keselamatan kerja di tempat kerja

- ▶ **Jagalah supaya tempat kerja selalu bersih dan terang.** Tempat kerja yang tidak rapi atau tidak terang dapat mengakibatkan terjadinya kecelakaan.
- ▶ **Janganlah menggunakan perkakas listrik di tempat di mana dapat terjadi ledakan, di mana ada cairan, gas atau debu yang mudah terbakar.** Perkakas listrik dapat memancarkan bunga api yang lalu mengakibatkan debu atau uap terbakar.
- ▶ **Selama menggunakan perkakas listrik, jauhkan anak-anak dan orang-orang lain dari tempat kerja.** Jika konsentrasi terganggu, bisa jadi Anda tidak bisa mengendalikan perkakas listrik tersebut.

Keamanan listrik

- ▶ **Steker dari perkakas listrik harus cocok pada stopkontak. Janganlah sekali-kali merubah steker.** Janganlah menggunakan steker perantara bersama dengan perkakas listrik yang mempunyai hubungan arde. Steker yang tidak dirubah dan stopkontak yang cocok mengurangi bahaya terjadinya kontak listrik.
- ▶ **Jagalah supaya badan Anda tidak bersentuhan dengan permukaan yang mempunyai hubungan arde, misalnya pipa-pipa, radiator pemanas ruangan, kompor listrik dan lemari es.** Ada risiko besar terjadi kontak listrik, jika badan Anda mempunyai hubungan arde.
- ▶ **Jagalah supaya perkakas listrik tidak kena hujan atau menjadi basah.** Air yang masuk ke dalam perkakas listrik menambah risiko terjadinya kontak listrik.
- ▶ **Janganlah menyalahgunakan kabel listrik untuk mengangkat dan menggantungkan perkakas listrik atau untuk menarik steker dari stopkontak. Jagalah supaya kabel listrik tidak kena panas, minyak, pinggiran yang tajam atau bagian-bagian perkakas**

28 | Bahasa Indonesia

yang bergerak. Kabel listrik yang rusak atau tersangkut menambah risiko terjadinya kontak listrik.

- ▶ **Jika Anda menggunakan perkakas listrik di luar gedung, gunakanlah hanya kabel sambungan yang juga cocok untuk pemakaian di luar gedung.** Penggunaan kabel sambungan yang cocok untuk pemakaian di luar gedung mengurangi risiko terjadinya kontak listrik.
- ▶ **Jika penggunaan perkakas listrik di tempat yang basah tidak bisa dihindarkan, gunakanlah sakelar pengaman terhadap arus penyimpangan.** Penggunaan sakelar pengaman terhadap arus penyimpangan mengurangi risiko terjadinya kontak listrik.

Keselamatan kerja

- ▶ **Berhati-hatilah selalu, perhatikanlah apa yang Anda kerjakan dan bekerjalah dengan seksama jika menggunakan perkakas listrik. Janganlah menggunakan perkakas listrik, jika Anda capai atau berada di bawah pengaruh narkoba, minuman keras atau obat.** Jika Anda sekejap mata saja tidak berhati-hati sewaktu menggunakan perkakas listrik, dapat terjadi luka-luka berat.
- ▶ **Pakailah pakaian dan sarana pelindung dan pakailah selalu kaca mata pelindung.** Dengan memakai pakaian dan sarana pelindung, misalnya kedok anti debu (masker), sepatu tertutup yang tidak licin, helm pelindung atau penutup telinga sesuai dengan pekerjaan yang dilakukan dengan perkakas listrik, bahaya terjadinya luka-luka dapat dikurangi.
- ▶ **Jagalah supaya perkakas listrik tidak dihidupkan secara tidak disengaja. Perhatikan bahwa perkakas listrik dalam penyetelan mati, jika steker disambungkan pada pengadaan listrik dan/atau baterai, jika perkakas listrik diangkat atau dibawa.** Jika selama mengangkat perkakas listrik jari Anda berada pada tombol untuk menghidupkan dan mematikan atau perkakas listrik yang dalam penyetelan hidup disambungkan pada listrik, dapat terjadi kecelakaan.
- ▶ **Lepaskan semua perkakas-perkakas penyetelan atau kunci-kunci pas sebelum perkakas listrik dihidupkan.** Perkakas atau kunci yang berada di dalam bagian yang berputar dapat mengakibatkan terjadinya luka-luka.
- ▶ **Aturkan badan sedemikian sehingga Anda bisa bekerja dengan aman. Berdirilah secara mantap dan jagalah selalu keseimbangan.** Dengan demikian Anda bisa mengendalikan perkakas listrik dengan lebih baik, jika terjadi sesuatu dengan tiba-tiba.
- ▶ **Pakailah pakaian yang cocok. Janganlah memakai pakaian yang longgar atau perhiasan. Jagalah supaya rambut, pakaian dan sarung tangan tidak masuk dalam bagian-bagian perkakas yang bergerak.** Pakaian yang longgar, rambut panjang atau perhiasan dapat tersangkut dalam bagian perkakas yang bergerak.
- ▶ **Jika ada kemungkinan untuk memasang sarana penghisapan dan penampungan debu, perhatikan bahwa sarana-sarana ini telah dipasangkan dan digunakan dengan betul.** Penggunaan sarana penghisapan bisa mengurangi bahaya yang disebabkan debu.

Penggunaan dan penanganan perkakas listrik dengan seksama

- ▶ **Janganlah membebankan perkakas listrik terlalu berat. Gunakan selalu perkakas listrik yang cocok untuk pekerjaan yang dilakukan.** Dengan perkakas listrik yang cocok Anda bekerja lebih baik dan lebih aman dalam batas-batas kemampuan yang ditentukan.
- ▶ **Janganlah menggunakan perkakas listrik yang tombolnya rusak.** Perkakas listrik yang tidak bisa dihidupkan atau dimatikan, berbahaya dan harus direparasikan.
- ▶ **Tariklah steker dari stopkontak dan/atau keluarkan baterai, sebelum Anda melakukan penyetelan pada perkakas listrik, mengganti alat-alat kerja atau sebelum menyimpan perkakas listrik.** Tindakan keselamatan kerja ini mengurangi bahaya perkakas listrik hidup secara tidak disengaja.
- ▶ **Simpanlah perkakas listrik yang tidak digunakan di luar jangkauan anak-anak. Janganlah mengizinkan orang-orang yang tidak mengenal perkakas listrik ini atau yang belum membaca petunjuk-petunjuk ini, menggunakan perkakas listrik ini.** Perkakas listrik bisa menjadi berbahaya, jika digunakan oleh orang-orang yang tidak mengenalnya.
- ▶ **Rawatlah perkakas listrik dengan seksama. Periksalah, apakah bagian-bagian perkakas listrik yang bergerak berfungsi dengan baik dan tidak tersangkut, apakah ada bagian-bagian yang patah atau rusak sedemikian, sehingga dapat mempengaruhi jalannya perkakas listrik. Biarkan bagian-bagian perkakas yang rusak direparasikan, sebelum Anda mulai menggunakan perkakas listrik.** Banyak kecelakaan terjadi karena perkakas listrik tidak dirawat dengan seksama.
- ▶ **Perhatikan supaya alat-alat pemotong selalu tajam dan bersih.** Alat-alat pemotong dengan mata-mata pemotong yang tajam dan dirawat dengan seksama tidak mudah tersangkut dan lebih mudah dikendalikan.
- ▶ **Gunakanlah semua perkakas listrik, aksesori, alat-alat kerja dsb. sesuai dengan petunjuk-petunjuk. Perhatikan syarat-syarat kerja dan macam pekerjaan yang dilakukan.** Penggunaan perkakas listrik untuk macam pekerjaan yang tidak cocok dengan kegunaannya bisa mengakibatkan keadaan yang berbahaya.

Servis

- ▶ **Biarkan perkakas listrik Anda direparasikan hanya oleh orang-orang ahli yang berpengalaman dan hanya dengan menggunakan suku cadang yang asli.** Dengan demikian terjamin keselamatan kerja dengan perkakas listrik ini secara berkesinambungan.

Petunjuk-petunjuk untuk keselamatan kerja dengan mesin gergaji tidak

- ▶ **Peganglah perkakas listrik hanya pada pegangan yang terisolir jika Anda melakukan pekerjaan yang memungkinkan alat pemotong ini menjalin kontak dengan kabel listrik yang tidak terlihat atau kabelnya**

sendiri. Alat kerja yang bersentuhan dengan kabel yang bertegangan dapat mengakibatkan bagian-bagian logam dari perkakas listrik juga ikut dialiri tegangan arus dan mengakibatkan terjadinya kontak listrik.

- ▶ **Jauhkan tangan-tangan Anda dari tempat penggergajian. Janganlah menjangkau di bawah benda yang dikerjakan.** Persentuhan dengan mata gergaji bisa mengakibatkan luka-luka.
- ▶ **Hidupkan dahulu perkakas listrik, baru kemudian perkakas listrik didekatkan pada benda yang dikerjakan.** Jika tidak demikian ada bahaya perkakas listrik membanting jika alat kerja tersangkut dalam benda yang dikerjakan.
- ▶ **Pada waktu bekerja dengan perkakas listrik, perhatikanlah supaya seluruh pelat dasar 2 selalu berada pada benda yang dikerjakan.** Mata gergaji bisa tersangkut dan mengakibatkan perkakas listrik tidak bisa dikendalikan.
- ▶ **Setelah pekerjaan menggergaji rampung, matikan perkakas listrik dan tungguh sampai mata gergaji berhenti bergerak, baru setelah itu mata gergaji dikeluarkan dari jalur pemotongan.** Dengan demikian bisa dihindarkan terjadinya bantingan dan perkakas listrik bisa diletakkan dengan aman.
- ▶ **Gunakanlah hanya mata gergaji-mata gergaji yang tidak rusak dan mulus.** Mata gergaji-mata gergaji yang melengkung atau tidak tajam bisa patah, membuat potongan tidak bagus atau mengakibatkan bantingan.
- ▶ **Setelah perkakas listrik dimatikan, janganlah meremkan mata gergaji dengan cara menekan pada sisinya.** Ini bisa mengakibatkan mata gergaji menjadi rusak, patah atau bisa mengakibatkan bantingan.
- ▶ **Tahankan benda yang dikerjakan dengan teguh. Janganlah menahan benda yang dikerjakan dengan cara menyandarkan pada tangan atau kaki. Janganlah menyentuhkan gergaji yang sedang berjalan pada barang-barang atau lantai.** Perkakas listrik bisa membanting.
- ▶ **Gunakanlah alat detektor logam yang cocok untuk mencari kabel dan pipa yang tidak terlihat atau hubung perusahaan pengadaan setempat.** Sentuhan dengan kabel-kabel listrik dapat mengakibatkan api dan kontak listrik. Pipa gas yang dirusak dapat mengakibatkan ledakan. Pipa air yang dirusak mengakibatkan kerusakan barang-barang atau dapat mengakibatkan kontak listrik.
- ▶ **Selama digunakan, peganglah perkakas listrik dengan kedua belah tangan dan perhatikanlah supaya Anda berdiri secara teguh.** Perkakas listrik bisa dikendalikan lebih baik jika dipegang dengan kedua belah tangan.
- ▶ **Usahakan supaya benda yang dikerjakan tidak goyang.** Benda yang ditahan dalam alat pemegang atau bais lebih mantap daripada benda yang dipegang dengan tangan.
- ▶ **Sebelum meletakkan perkakas listrik, tunggulah sampai perkakas berhenti memutar.** Alat kerja bisa tersangkut dan membuat perkakas listrik tidak bisa dikendalikan.

Penjelasan tentang produk dan daya



Bacalah semua petunjuk-petunjuk untuk keselamatan kerja dan petunjuk-petunjuk untuk penggunaan. Kesalahan dalam menjalankan petunjuk-petunjuk untuk keselamatan kerja dan petunjuk-petunjuk untuk penggunaan dapat mengakibatkan kontak listrik, kebakaran dan/atau luka-luka yang berat.

Penggunaan alat

Perkakas listrik ini cocok untuk menggergaji kayu, bahan sintetik, logam dan bahan-bahan untuk membangun rumah dengan sandaran teguh. Perkakas listrik ini cocok untuk pemotongan lurus dan berliku-liku. Dengan menggunakan mata gergaji „bimetal“ yang cocok, bisa dikerjakan pemotongan sama rata dengan permukaan. Perhatikanlah petunjuk-petunjuk tentang mata gergaji.

Bagian-bagian pada gambar

Nomor-nomor dari bagian-bagian perkakas pada gambar sesuai dengan gambar perkakas listrik pada halaman bergambar.

- 1 Mata gergaji*
- 2 Pelat dasar yang bisa bergerak
- 3 Pegangan mata gergaji
- 4 Selubung pengunci mata gergaji
- 5 Stang seher
- 6 Kait untuk menggantung
- 7 Tombol untuk menghidupkan dan mematikan
- 8 Pengunci penghidupan kembali untuk tombol untuk menghidupkan dan mematikan (3 601 F4E 240)
Tombol pengunci untuk tombol untuk menghidupkan dan mematikan (3 601 F4E 280, 3 601 F4E 2B0, 3 601 F4E 2C0, 3 601 F4E 2K0, 3 601 F4E 2L0)
- 9 Tombol pembuka penguncian pelat dasar
- 10 Lampu „PowerLight“
- 11 Pegangan (genggaman terisolir)

*Aksesori yang ada pada gambar atau yang dijelaskan, tidak termasuk pasokan standar. Semua aksesori yang ada bisa Anda lihat dalam program aksesori Bosch.

Data teknis

| Mesin gergaji todak | GSA 1300 PCE | |
|-------------------------------------|-------------------|---------------|
| Nomor model | | 3 601 F4E 2.. |
| Masukan nominal | W | 1300 |
| Banyaknya langkah tanpa beban n_0 | min^{-1} | 0 – 2900 |
| Pemegang alat kerja | | SDS |
| Keayunan | | ● |
| Elektronika penyetap putaran | | ● |
| Langkah | mm | 28 |

Data-data berlaku untuk tegangan nominal [U] 230 V. Pada tegangan yang lebih rendah dan pada model khusus mancanegara data-data ini bisa berlainan.

30 | Bahasa Indonesia

| Mesin gergaji todak | GSA 1300 PCE | |
|-----------------------------------------------------------------------------------------------------------------------------------------------------|--------------|-------|
| Kedalaman pemotongan maks. | | |
| – di kayu | mm | 220 |
| – di baja, murni | mm | 20 |
| – diameter pipa | mm | 175 |
| Berat sesuai dengan EPTA-Procedure 01:2014 | kg | 4,1 |
| Klasifikasi keamanan | | II/II |
| Data-data berlaku untuk tegangan nominal [U] 230 V. Pada tegangan yang lebih rendah dan pada model khusus mancanegara data-data ini bisa berlainan. | | |

Cara memasang

Memasang/mengganti mata gergaji

- ▶ **Sebelum mulai dengan pekerjaan pada perkakas listrik, tariklah steker dari stopkontak.**
- ▶ **Pakailah sarung tangan pelindung pada waktu memasang mata gergaji.** Bisa terjadi luka-luka jika mata gergaji tersentuh.
- ▶ **Pada waktu mengganti mata gergaji, perhatikanlah supaya pegangan mata gergaji tidak tercemar karena sisa-sisa kayu atau logam.**

Memilih mata gergaji

Satu ikhtisar tentang mata gergaji-mata gergaji yang disarankan dapat Anda lihat di bagian permulaan dari petunjuk-petunjuk ini. Pasangkan hanya mata gergaji dengan gagang universal ½". Janganlah memakai mata gergaji yang terlalu panjang untuk pemotongannya.

Untuk menggergaji belokan-belokan patah, gunakanlah mata gergaji yang tidak lebar.

Memasang mata gergaji (lihat gambar A)

Putarkan selubung pengunci **4** sebanyak kira-kira 90° dalam arah panah dan tahankannya. Tekankan mata gergaji **1** ke dalam pegangan mata gergaji **3**. Setelah itu, lepaskan selubung pengunci **4**.

- ▶ **Periksalah apakah kedudukan mata gergaji sudah kencang.** Mata gergaji yang tidak kencanguduknya bisa meleset ke luar dan lalu melukai Anda.

Untuk berbagai jenis pekerjaan tertentu, mata gergaji **1** juga bisa diputar sebanyak 180° (gigi-gigi mata gergaji menghadap ke atas) dan kemudian dipasangkan kembali.

Melepaskan mata gergaji (lihat gambar B)

Putarkan selubung pengunci **4** sebanyak kira-kira 90° dalam arah panah dan tahankannya. Keluarkan mata gergaji **1**.

Penghisapan debu/serbuk

- ▶ Debu dari bahan-bahan seperti misalnya cat yang mengandung timbel (timah hitam), beberapa jenis kayu, bahan mineral dan logam bisa berbahaya bagi kesehatan. Menyentuh atau menghirup debu-debu ini bisa mengakibatkan reaksi alergi dan/atau penyakit saluran pernafasan dari orang yang menggunakan mesin atau orang yang berada di dekatnya.

Beberapa debu tertentu seperti misalnya debu kayu pohon quercus atau pohon fagus silvatica dianggap bisa mengakibatkan penyakit kanker, terutama dalam campuran dengan bahan-bahan tambahan untuk pengolahan kayu (kromat, obat pengawet kayu). Bahan-bahan yang mengandung asbestos hanya boleh dikerjakan oleh orang-orang yang ahli.

- Perhatikanlah supaya ada pertukaran udara di tempat kerja.
- Kami anjurkan supaya Anda memakai kedok anti debu dengan saringan (filter) kelas P2.

Taatilah peraturan-peraturan untuk bahan-bahan yang dikerjakan yang berlaku di negara Anda.

- ▶ **Hindari debu yang banyak terkumpul di tempat kerja.** Debu dapat menyulut dengan mudahnya.

Penggunaan

Macam penggunaan

- ▶ **Sebelum mulai dengan pekerjaan pada perkakas listrik, tariklah steker dari stopkontak.**

Pelat dasar yang bisa bergerak dan digeserkan (lihat gambar C)

Pelat dasar **2** bisa bergerak jungkat-jungkit, supaya kedudukan bisa dicocokkan pada permukaan yang dikerjakan.

Tergantung dari mata gergaji yang digunakan dan jenis penggunaan perkakas listrik, pelat dasar **2** dapat digeserkan dalam 3 tahapan dalam arah memanjang. Tekan tombol pembuka penguncian **9** dan geserkan pelat dasar **2** ke kedudukan yang diperlukan. Lepaskan tombol pembuka penguncian **9** dan periksalah, apakah pelat dasar **2** telah mengancing dengan teguh. Jika perlu, geserkan pelat dasar **2** sedemikian, sehingga pelat dasar mengancing dengan teguh.

Kait untuk menggantung (lihat gambar D)

Dengan kait untuk menggantung **6** Anda bisa menggantungkan perkakas listrik misalnya pada tangga. Untuk melakukannya, bukakan kait untuk menggantung **6** ke posisi yang dikehendaki.

- ▶ **Pada perkakas listrik yang tergantung, perhatikanlah supaya mata gergaji tidak disentuh secara tidak disengaja. Jika mata gergaji disentuh, bisa terjadi luka-luka.**

Tutupkan kait untuk menggantung **6** kembali, jika Anda hendak menggunakan perkakas listrik.

Cara penggunaan

- ▶ **Perhatikan tegangan jaringan listrik! Tegangan jaringan listrik harus sesuai dengan tegangan listrik yang tercantum pada label tipe perkakas listrik.**

Lampu **10** menyala jika steker dimasukkan ke dalam stopkontak dan bisa menerangi medan kerja di lingkungan yang gelap.

Menghidupkan/mematikan (3 601 F4E 240)

Untuk menghidupkan perkakas listrik, gerakan **dahulu** pengunci penghidupan kembali **8** dan **setelah itu** tekan

tombol untuk menghidupkan dan mematikan **7** dan tahan tekanan.

Untuk **mematikan** perkakas listrik, lepaskan tombol untuk menghidupkan dan mematikan **7**.

Petunjuk: Berdasarkan alasan keselamatan kerja, tombol untuk menghidupkan dan mematikan **7** tidak bisa dikuncikan, melainkan selama penggunaan perkakas, tombol ini harus ditekan terus.

**Menghidupkan/mematikan
(3 601 F4E 280, 3 601 F4E 2B0, 3 601 F4E 2C0,
3 601 F4E 2K0, 3 601 F4E 2L0)**

Untuk **menghidupkan**, tekan tombol untuk menghidupkan dan mematikan **7** dan tahan tekanan.

Untuk **mengunci** tombol untuk menghidupkan dan mematikan **7** yang tertekan, tekan tombol pengunci **8**.

Untuk **mematikan**, lepaskan tombol untuk menghidupkan dan mematikan **7** atau jika dikunci dengan tombol pengunci **8**, tekan sebentar tombol **7** dan lepaskan.

Keayunan

Untuk mencapai kecepatan pemotongan yang tinggi, keayunan selalu aktif.

Elektronika penetap putaran

Elektronika penetap putaran membuat banyaknya langkah tanpa beban dan sewaktu dibebani hampir konstan dan menjamin daya kerja yang rata.

Mengendalikan/penyetelan pendahuluan jumlah langkah

Anda bisa menyetelkan jumlah langkah tanpa tingkatan pada perkakas listrik yang sedang berjalan, tergantung dari besarnya tekanan pada tombol untuk menghidupkan dan mematikan **7**.

Tekanan yang ringan pada tombol **7** mengakibatkan jumlah langkah yang rendah. Jika tekanan ditambah, jumlah langkah naik.

Jumlah langkah yang diperlukan tergantung dari bahan yang dikerjakan dan syarat-syarat kerja dan bisa didapatkan dengan cara uji coba.

Kami anjurkan supaya jumlah langkah dikurangi pada waktu mengenakan mata gergaji pada benda yang dikerjakan serta selama memotong bahan sintetik dan aluminium.

Petunjuk-petunjuk untuk pemakaian

Tips

- ▶ **Jika menggergaji bahan-bahan bangunan yang ringan, perhatikanlah peraturan-peraturan dari pemerintah dan petunjuk-petunjuk dari produsen bahan-bahan.**

Sebelum menggergaji kayu, pelat serbuk kayu, bahan bangunan dsb., periksalah apakah ada benda-benda lainnya seperti paku, sekrup dsb., dan gunakanlah mata gergaji yang cocok.

Hidupkan perkakas listrik dan dekatkannya pada benda yang akan dikerjakan. Kenakan pelat dasar **2** secara rata pada permukaan benda yang akan dikerjakan dan bekerjalah dengan tekanan atau dorongan yang rata sampai selesai. Setelah pekerjaan rampung, matikanlah perkakas listrik.

Jika mata gergaji terjepit, matikanlah segera perkakas listrik. Lebarlah celah gergajian sedikit saja dengan perkakas yang cocok, kemudian tarikkan perkakas listrik ke luar.

Pemotongan dalam (lihat gambar E)

- ▶ **Hanya bahan-bahan yang lunak seperti kayu, pelat gips berlapis karton dsb. yang boleh digergaji dengan cara pemotongan dalam! Janganlah menggergaji bahan logam dengan cara pemotongan dalam!**

Gunakanlah hanya mata gergaji yang pendek untuk pemotongan dalam.

Pasangkan perkakas listrik dengan pinggiran dari pelat dasar **2** pada benda yang akan dikerjakan dan hidupkan perkakas listrik. Pada perkakas listrik dengan pengendalian banyaknya langkah, setelkan jumlah langkah maksimal. Tekankan perkakas listrik secara keras pada benda yang dikerjakan dan biarkan mata gergaji masuk perlahan-lahan ke dalam benda yang dikerjakan.

Segera setelah pelat dasar **2** terkena rata pada benda yang dikerjakan, teruskan penggergajian pada garis pemotongan yang dikehendaki.

Untuk berbagai jenis pekerjaan tertentu, mata gergaji **1** bisa diputar sebanyak 180° dan kemudian dipasangkan, arah gerak mesin gergaji tidak tentu terbalik juga.

Menggergaji sama rata dengan permukaan (lihat gambar F)

Dengan menggunakan mata gergaji „bimetal“ yang elastis, misalnya bahan bangunan yang menonjol dari dinding seperti pipa air dsb., bisa digergaji sama rata dengan dinding.

- ▶ **Perhatikanlah selalu bahwa mata gergaji lebih panjang daripada diameter pipa yang hendak dikerjakan. Bisa terjadi bantingan.**

Gerakkan mata gergaji sejajar dengan permukaan dinding dan dengan dorongan samping pada perkakas listrik, usahakan supaya pelat dasar bersandar pula pada dinding. Hidupkan perkakas listrik dan gerajikan benda dengan tekanan samping yang konstan.

Bahan pendingin/pelumas

Jika Anda menggergaji logam, terjadi panas sehingga sebaiknya Anda mengoleskan bahan pendingin atau bahan pelumas di garis potongan.

Rawatan dan servis

Rawatan dan kebersihan

- ▶ **Sebelum mulai dengan pekerjaan pada perkakas listrik, tariklah steker dari stopkontak.**
- ▶ **Perkakas listrik dan lubang ventilasi harus selalu dibersihkan supaya perkakas bisa digunakan dengan baik dan aman.**

Bersihkanlah pemegang mata gergaji, paling cocok dengan udara bertekanan atau dengan kuas yang lunak. Untuk melakukannya, lepaskan mata gergaji dari perkakas listrik. Rawatlah pemegang mata gergaji dengan menggunakan bahan pelumas yang cocok, supaya tidak menjadi rusak.

32 | Tiếng Việt

Perkakas listrik yang sangat kotor mungkin tidak berfungsi dengan baik. Karena itu janganlah menggergaji bahan-bahan yang menyebabkan banyak debu dari bawah atau janganlah menggergaji bahan yang letaknya lebih tinggi dari kepala Anda.

Jika kabel listrik harus digantikan, pekerjaan ini harus dilakukan oleh Bosch atau Service Center untuk perkakas listrik Bosch yang resmi, supaya keselamatan kerja selalu terjamin.

Jika pada suatu waktu perkakas listrik ini tidak bisa berjalan meskipun telah diproduksi dan diperiksa dengan seksama, maka reparasinya harus dilakukan oleh Service Center perkakas listrik Bosch yang resmi.

Jika Anda hendak menanyakan sesuatu atau memesan suku cadang, sebutkan selalu nomor model yang terdiri dari 10 angka dan tercantum pada label tipe perkakas.

Layanan pasca beli dan konseling terkait pengoperasian

Layanan pasca beli Bosch menjawab semua pertanyaan Anda terkait reparasi dan maintenance serta suku cadang produk ini. Gambar tiga dimensi dan informasi terkait suku cadang dapat Anda lihat di:

www.bosch-pt.com

Tim konseling pengoperasian dari Bosch dengan senang hati membantu Anda, jika Anda hendak bertanya tentang produk-produk kami dan aksesorisnya.

Indonesia

PT Robert Bosch
Palma Tower 9th & 10th Floor
Jl. Let. Jend. TB Simatupang II S/06
Jakarta Selatan 12960
Indonesia
Tel.: (021) 3005 6565
Fax: (021) 3005 5801
E-Mail: boschpowertools@id.bosch.com
www.bosch-pt.co.id

Cara membuang

Perkakas listrik, aksesoris dan kemasan sebaiknya didaur ulang sesuai dengan upaya untuk melindungi lingkungan hidup.

Janganlah membuang perkakas listrik dalam sampah rumah tangga!

Perubahan dapat terjadi tanpa pemberitahuan sebelumnya.

Tiếng Việt

Các Nguyên Tắc An Toàn

Cảnh báo tổng quát cách sử dụng an toàn dụng cụ điện cầm tay

⚠ CẢNH BÁO Đọc kỹ mọi cảnh báo an toàn và hướng dẫn. Không tuân thủ mọi cảnh báo và hướng dẫn được liệt kê dưới đây có thể bị điện giật, gây cháy và/hay bị thương tật nghiêm trọng.

Hãy giữ tất cả tài liệu về cảnh báo và hướng dẫn để tham khảo về sau.

Thuật ngữ “dụng cụ điện cầm tay” trong phần cảnh báo là đề cập đến sự sử dụng dụng cụ điện cầm tay của bạn, loại sử dụng điện nguồn (có dây cắm điện) hay vận hành bằng pin (không dây cắm điện).

Khu vực làm việc an toàn

- ▶ **Giữ nơi làm việc sạch và đủ ánh sáng.** Nơi làm việc bừa bộn và tối tăm dễ gây ra tai nạn.
- ▶ **Không vận hành dụng cụ điện cầm tay trong môi trường dễ gây nổ, chẳng hạn như nơi có chất lỏng dễ cháy, khí đốt hay rác.** Dụng cụ điện cầm tay tạo ra các tia lửa nên có thể làm rác bén cháy hay bốc khói.
- ▶ **Không để trẻ em hay người đến xem đứng gần khi vận hành dụng cụ điện cầm tay.** Sự phân tâm có thể gây ra sự mất điều khiển.

An toàn về điện

- ▶ **Phích cắm của dụng cụ điện cầm tay phải thích hợp với ổ cắm. Không bao giờ được cải biến lại phích cắm dưới mọi hình thức. Không được sử dụng phích tiếp hợp nối tiếp đất (dây mát).** Phích cắm nguyên bản và ổ cắm đúng loại sẽ làm giảm nguy cơ bị điện giật.
- ▶ **Tránh không để thân thể tiếp xúc với đất hay các vật có bề mặt tiếp đất như đường ống, lò sưởi, hàng rào và tủ lạnh.** Có nhiều nguy cơ bị điện giật hơn nếu cơ thể bạn bị tiếp hay nối đất.
- ▶ **Không được để dụng cụ điện cầm tay ngoài mưa hay ở tình trạng ẩm ướt.** Nước vào máy sẽ làm tăng nguy cơ bị điện giật.
- ▶ **Không được lạm dụng dây dẫn điện. Không bao giờ được nắm dây dẫn để xách, kéo hay rút phích cắm dụng cụ điện cầm tay. Không để dây gần nơi có nhiệt độ cao, dầu nhớt, vật nhọn bén hay bộ phận chuyển động.** Làm hỏng hay cuộn rối dây dẫn làm tăng nguy cơ bị điện giật.

- ▶ **Khi sử dụng dụng cụ điện cầm tay ngoài trời, dùng dây nối thích hợp cho việc sử dụng ngoài trời.** Sử dụng dây nối thích hợp cho việc sử dụng ngoài trời làm giảm nguy cơ bị điện giật.
- ▶ **Nếu việc sử dụng dụng cụ điện cầm tay ở nơi ẩm ướt là không thể tránh được, dùng thiết bị ngắt mạch tự động (RCD) bảo vệ nguồn.** Sử dụng thiết bị ngắt mạch tự động RCD làm giảm nguy cơ bị điện giật.

An toàn cá nhân

- ▶ **Hãy tỉnh táo, biết rõ mình đang làm gì và hãy sử dụng ý thức khi vận hành dụng cụ điện cầm tay.** Không sử dụng dụng cụ điện cầm tay khi đang mệt mỏi hay đang bị tác động do chất gây nghiện, rượu hay được phâm gây ra. Một thoáng mất tập trung khi đang vận hành dụng cụ điện cầm tay có thể gây thương tích nghiêm trọng cho bản thân.
- ▶ **Sử dụng trang bị bảo hộ cá nhân.** Luôn luôn đeo kính bảo vệ mắt. Trang bị bảo hộ như khẩu trang, giày chống trượt, nón bảo hộ, hay dụng cụ bảo vệ tai khi được sử dụng đúng nơi đúng chỗ sẽ làm giảm nguy cơ thương tật cho bản thân.
- ▶ **Phòng tránh máy khởi động bất ngờ.** Bảo đảm công tắc máy ở vị trí tắt trước khi cắm vào nguồn điện và/hay lắp pin vào, khi nhắc máy lên hay khi mang xách máy. Ngáng ngón tay vào công tắc máy để xách hay kích hoạt dụng cụ điện cầm tay khi công tắc ở vị trí mở để dẫn đến tai nạn.
- ▶ **Lấy mọi chìa hay khóa điều chỉnh ra trước khi mở điện dụng cụ điện cầm tay.** Khóa hay chìa còn gắn dính vào bộ phận quay của dụng cụ điện cầm tay có thể gây thương tích cho bản thân.
- ▶ **Không rướn người.** Luôn luôn giữ tư thế đứng thích hợp và thẳng bằng. Điều này tạo cho việc điều khiển dụng cụ điện cầm tay tốt hơn trong mọi tình huống bất ngờ.
- ▶ **Trang phục thích hợp.** Không mặc quần áo rộng lung tung hay mang trang sức. Giữ tóc, quần áo và găng tay xa khỏi các bộ phận chuyển động. Quần áo rộng lung tung, đồ trang sức hay tóc dài có thể bị cuốn vào các bộ phận chuyển động.
- ▶ **Nếu có các thiết bị đi kèm để nối máy hút bụi và các phụ kiện khác, bảo đảm các thiết bị này được nối và sử dụng tốt.** Việc sử dụng các thiết bị gom hút bụi có thể làm giảm các độc hại liên quan đến bụi gây ra.

Sử dụng và bảo dưỡng dụng cụ điện cầm tay

- ▶ **Không được ép máy.** Sử dụng dụng cụ điện cầm tay đúng loại theo đúng ứng dụng của bạn. Dụng cụ điện cầm tay đúng chức năng sẽ

làm việc tốt và an toàn hơn theo đúng tiến độ mà máy được thiết kế.

- ▶ **Không sử dụng dụng cụ điện cầm tay nếu như công tắc không tắt và mở được.** Bất kỳ dụng cụ điện cầm tay nào mà không thể điều khiển được bằng công tắc là nguy hiểm và phải được sửa chữa.
- ▶ **Rút phích cắm ra khỏi nguồn điện và/hay pin ra khỏi dụng cụ điện cầm tay trước khi tiến hành bất kỳ điều chỉnh nào, thay phụ kiện, hay cất dụng cụ điện cầm tay.** Các biện pháp ngăn ngừa như vậy làm giảm nguy cơ dụng cụ điện cầm tay khởi động bất ngờ.
- ▶ **Cất giữ dụng cụ điện cầm tay không dùng tới nơi trẻ em không lấy được và không cho người chưa từng biết dụng cụ điện cầm tay hay các hướng dẫn này sử dụng dụng cụ điện cầm tay.** Dụng cụ điện cầm tay nguy hiểm khi ở trong tay người chưa được chỉ cách sử dụng.
- ▶ **Bảo quản dụng cụ điện cầm tay.** Kiểm tra xem các bộ phận chuyển động có bị sai lệch hay kẹt, các bộ phận bị rạn nứt và các tình trạng khác có thể ảnh hưởng đến sự vận hành của máy. Nếu bị hư hỏng, phải sửa chữa máy trước khi sử dụng. Nhiều tai nạn xảy ra do bảo quản dụng cụ điện cầm tay tồi.
- ▶ **Giữ các dụng cụ cắt bén và sạch.** Bảo quản đúng cách các dụng cụ cắt có cạnh cắt bén làm giảm khả năng bị kẹt và dễ điều khiển hơn.
- ▶ **Sử dụng dụng cụ điện cầm tay, phụ kiện, đầu cài v. v., đúng theo các chỉ dẫn này, hãy lưu ý đến điều kiện làm việc và công việc phải thực hiện.** Sử dụng dụng cụ điện cầm tay khác với mục đích thiết kế có thể tạo nên tình huống nguy hiểm.

Bảo dưỡng

- ▶ **Đưa dụng cụ điện cầm tay của bạn đến thợ chuyên môn để bảo dưỡng, chỉ sử dụng phụ tùng đúng chủng loại để thay.** Điều này sẽ đảm bảo sự an toàn của máy được giữ nguyên.

Cảnh Báo An Toàn cho các loại Cửa Kiểm

- ▶ **Nắm giữ dụng cụ điện nơi phần nắm cách điện khi thực hiện việc gia công nơi dụng cụ cắt có thể chạm vào dây điện không nhìn thấy được hay chính dây của máy.** Dụng cụ cắt chạm phải dây có điện có thể làm cho các bộ phận kim loại không được bao bọc có điện và giật người vận hành máy.
- ▶ **Đề tay tránh xa khỏi phạm vi cắt.** Không được tiếp xúc với phần bên dưới vật gia công. Tiếp xúc với lưỡi cửa có thể dẫn đến việc bị thương tích.

34 | Tiếng Việt

- ▶ **Chỉ cho máy gia công vật liệu khi máy đã hoạt động.** Nếu không làm vậy thì sẽ có nguy cơ bị giạt ngược do dụng cụ cắt bị kẹp chặt trong vật gia công.
- ▶ **Khí cửa, bàn chặn điều chỉnh được 2 phải luôn luôn áp sát vào vật gia công.** Lưỡi cửa có thể bị chèn chặt và dẫn đến sự mất điều khiển máy.
- ▶ **Khi đã cắt xong, tắt máy và sau đó rút lưỡi cửa ra khỏi mạch cắt chỉ sau khi lưỡi cửa đã ngừng chuyển động hoàn toàn.** Thực hiện như vậy bạn có thể tránh được sự giạt ngược và có thể đặt máy xuống một cách an toàn.
- ▶ **Chỉ sử dụng lưỡi cửa còn nguyên vẹn, có tình trạng hoàn hảo.** Lưỡi cửa bị cong hay cùn có thể bị gãy, ảnh hưởng xấu đến sự cắt, và có thể gây ra sự dội ngược.
- ▶ **Không được hãm lưỡi cửa cho dừng lại bằng cách tạo lực ép lên hông lưỡi cửa sau khi tắt máy.** Lưỡi cửa có thể bị hỏng, gãy hay gây ra giạt ngược.
- ▶ **Kẹp vật liệu cho thật chắc. Không được dùng tay hay chân của bạn để kẹp giữ vật gia công. Không được để cửa đang hoạt động chạm vào các đồ vật hay mặt sàn.** Nguy cơ của sự giạt ngược.
- ▶ **Dùng thiết bị dò tìm thích hợp để xác định nếu có các công trình công cộng lắp đặt ngầm trong khu vực làm việc hay liên hệ với Cty công trình Công cộng địa phương để nhờ hỗ trợ.** Đụng chạm đường dẫn điện có thể gây ra hỏa hoạn và điện giật. Làm hư hại đường dẫn khí ga có thể gây nổ. Làm thủng đường dẫn nước gây hư hỏng tài sản hay có khả năng gây ra điện giật.
- ▶ **Khi sử dụng máy, luôn luôn giữ chặt máy bằng cả hai tay và tạo tư thế đứng vững chắc.** Dụng cụ điện cầm tay vận hành an toàn hơn khi dùng cả hai tay.
- ▶ **Kẹp chặt vật gia công.** Vật gia công được kẹp bằng một thiết bị kẹp hay bằng êtô thì vững chắc hơn giữ bằng tay.
- ▶ **Luôn luôn đợi cho máy hoàn toàn ngừng hẳn trước khi đặt xuống.** Dụng cụ lắp vào máy có thể bị kẹp chặt dẫn đến việc dụng cụ điện cầm tay bị mất điều khiển.

Mô Tả Sản Phẩm và Đặc Tính Kỹ Thuật



Đọc kỹ mọi cảnh báo an toàn và mọi hướng dẫn. Không tuân thủ mọi cảnh báo và hướng dẫn được liệt kê dưới đây có thể bị điện giật, gây cháy và/hay bị thương tật nghiêm trọng.

Dành sử dụng cho

Máy được thiết kế để cửa gỗ, nhựa mù, kim loại và vật liệu xây dựng khi còn nằm dính chắc trên vật liệu gia công. Máy thích hợp để cắt các đường thẳng và cong. Khi sử dụng lưỡi cửa lưỡng kim thích hợp, máy có thể cắt ngang bằng mặt vật gia công. Phải tuân thủ theo loại lưỡi cửa đã được khuyến nghị.

Biểu trưng của sản phẩm

Sự đánh số các biểu trưng của sản phẩm là để tham khảo hình minh họa của máy trên trang hình ảnh.

- 1 Lưỡi cửa*
- 2 Bàn chặn điều chỉnh được
- 3 Bộ phận gắn lưỡi cửa
- 4 Vòng khóa lưỡi cửa
- 5 Thanh chạy
- 6 Móc cài đa dụng
- 7 Công tắc Tắt/Mở
- 8 Nút nhả khóa của công tắc Tắt/Mở (3 601 F4E 240)
Nút khoá giữ chế độ tự-chạy của công tắc Tắt/Mở (3 601 F4E 280, 3 601 F4E 2B0, 3 601 F4E 2C0, 3 601 F4E 2K0, 3 601 F4E 2L0)
- 9 Nút nhả khóa bàn chặn
- 10 "PowerLight" (Đèn Chiếu Sáng)
- 11 Tay nắm (bề mặt nắm cách điện)

*Phụ tùng được trình bày hay mô tả không phải là một phần của tiêu chuẩn hàng hóa được giao kèm theo sản phẩm. Bạn có thể tham khảo tổng thể các loại phụ tùng, phụ kiện trong chương trình phụ tùng của chúng tôi.

Thông số kỹ thuật

| Cửa kiếm | GSA 1300 PCE | |
|-----------------------------------------------------------------------------------------------------------------------------------------------------------------------------|--------------|---------------|
| Mã số máy | | 3 601 F4E 2.. |
| Công suất vào danh định | W | 1300 |
| Tốc độ khoảng chạy không tải n_0 | spm | 0 - 2900 |
| Phần lắp dụng cụ | | SDS |
| Động tác xoay vòng | | ● |
| Bộ Điều khiển tạo sự ổn định điện tử | | ● |
| Nhịp chạy | mm | 28 |
| Công suất cắt, tối đa | | |
| - với gỗ | mm | 220 |
| - với thép không hợp kim | mm | 20 |
| - Đường kính ống | mm | 175 |
| Các giá trị đã cho có hiệu lực cho điện thế danh định [U] 230 V. Đối với điện thế thấp hơn và các loại máy dành riêng cho một số quốc gia, các giá trị này có thể thay đổi. | | |

| Cửa kiểm | GSA 1300 PCE | |
|-----------------------------------------------------------------------------------------------------------------------------------------------------------------------------|--------------|-----|
| Trọng lượng theo Quy trình EPTA-Procedure 01:2014 (chuẩn EPTA 01:2014) | kg | 4.1 |
| Cấp độ bảo vệ | □/II | |
| Các giá trị đã cho có hiệu lực cho điện thế danh định [U] 230 V. Đối với điện thế thấp hơn và các loại máy dành riêng cho một số quốc gia, các giá trị này có thể thay đổi. | | |

Sự lắp vào

Thay/Lắp Lưới Cửa

- ▶ Trước khi tiến hành bất cứ việc gì trên máy, kéo phích cắm điện nguồn ra.
- ▶ Khi lắp lưới cửa, hãy mang găng bảo vệ tay vào. Có nguy cơ bị thương tích khi chạm vào lưới cửa.
- ▶ Khi thay lưới cửa, bảo đảm rằng bộ phận gắn lưới cửa không bị mụn cạn vật liệu bám vào, v. d. vỏ bảo gỗ hay kim loại.

Chọn Lưới Cửa

Ta có thể tham khảo bảng miêu tả tổng quát các loại lưới cửa được khuyến nghị ở phần đầu các hướng dẫn sử dụng này. Chỉ sử dụng "các lưới cửa có chuỗi phổ thông" ½. Lưới cửa không nên dài hơn mức cần thiết đối với ý định cắt.

Hãy sử dụng lưới cửa mỏng để cắt các đường cong hẹp.

Lắp Lưới Cửa Vào (xem hình A)

Xoay vòng khóa 4 khoảng 90° theo chiều mũi tên và giữ lại. Đút lưới cửa 1 vào trong nơi gắn lưới cửa 3. Thả vòng khóa 4 ra như trước.

- ▶ Kiểm tra lưới cửa có được bắt chắc vào. Lưới cửa gắn vào còn lỏng có thể rơi ra và gây thương tích.

Đối với loại công việc cụ thể nào đó, lưới cửa 1 cũng có thể xoay 180° (ràng cửa hướng lên trên) và lắp vào lại lần nữa.

Tháo Lưới Cửa (xem hình B)

Xoay vòng khóa 4 khoảng 90° theo chiều mũi tên và giữ lại. Tháo lưới cửa 1.

Hút Dăm/Bụi

- ▶ Mạt bụi từ các vật liệu được sơn phủ ngoài có chứa chì trên một số loại gỗ, khoáng vật và kim loại có thể gây nguy hại đến sức khỏe con người. Dụng cụ hay hít thở các bụi này có thể làm người sử dụng hay đứng gần bị dị ứng và/hoặc gây nhiễm trùng hệ hô hấp. Một số mạt bụi cụ thể, ví dụ như bụi gỗ sồi hay đậu, được xem là chất gây ung thư, đặc biệt là có liên quan đến các chất phụ gia dùng xử lý gỗ (chất

cromat, chất bảo quản gỗ). Có thể chỉ nên để thợ chuyên môn gia công các loại vật liệu có chứa amiăng.

- Tạo không khí thông thoáng nơi làm việc.
- Khuyến nghị nên mang mặt nạ phòng độc có bộ lọc cấp P2.

Tuân thủ các qui định của quốc gia bạn liên quan đến loại vật liệu gia công.

- ▶ **Tránh không để rác tích tụ tại nơi làm việc.** Rác có thể dễ dàng bắt lửa.

Vận Hành

Chế Độ Hoạt Động

- ▶ Trước khi tiến hành bất cứ việc gì trên máy, kéo phích cắm điện nguồn ra.

Bàn Chặn Có Thể Gập Lắc và Co Thụt (xem hình C)

Nhờ vào tính dễ chuyển dịch, bàn chặn điều chỉnh được 2 đáp ứng được góc độ ở vị trí cần có trên bề mặt.

Tùy theo loại lưới cửa đang được sử dụng và loại ứng dụng, bàn chặn 2 có thể di chuyển theo chiều dọc trong ba nấc. Nhấn nút nhà khóa bàn chặn 9 và đẩy bàn chặn 2 vào vị trí yêu cầu. Nhả nút nhà khóa bàn chặn 9 và kiểm tra xem bàn chặn 2 đã khớp vào chốt chặn chặt chẽ. Đẩy bàn chặn 2 vào vị trí yêu cầu cho đến khi khớp vào chốt chặt chẽ.

Móc Cài Đa Dụng (xem hình D)

Dụng cụ điện của bạn được trang bị một móc cài đa dụng 6 dùng để treo máy, vd. treo trên thang v. v.. Đơn giản chỉ bật móc cài đa dụng 6 về vị trí cần đặt.

- ▶ Khi dụng cụ được treo bằng móc cài đa dụng, bảo đảm đã che chắn lưới cửa để ngăn không bị vô ý chạm phải. Nguy cơ gây thương tích.

Gập móc cài đa dụng 6 trở lại khi bạn chuẩn bị tiếp tục vận hành máy.

Bắt Đầu Vận Hành

- ▶ Tuân thủ theo đúng điện thế! Điện thế nguồn phải đúng với điện thế đã ghi rõ trên nhãn máy.

Đèn báo "Có Điện" 10 sáng lên khi phích cắm được cắm vào điện nguồn, và để cho đèn chiếu sáng trong phạm vi thao tác trong điều kiện ánh sáng không thuận lợi.

Bật Mở và Tắt (3 601 F4E 240)

Để khởi động máy, trước hết nhấn nút nhà khóa của công tắc Tắt/Mở 8 và sau đó nhấn công tắc Tắt/Mở 7 và tiếp tục giữ nguyên nhấn.

Để tắt máy, nhả công tắc Tắt/Mở 7 ra.

36 | Tiếng Việt

Ghi Chú: Vì lý do an toàn, công tắc chuyển mạch Tắt/Mở 7 không thể khóa tự chạy được, mà phải giữ nhấn trong suốt quá trình vận hành.

Bật Mở và Tắt
(3 601 F4E 2B0, 3 601 F4E 2B0, 3 601 F4E 2C0,
3 601 F4E 2K0, 3 601 F4E 2L0)

Để khởi **động máy**, nhấn công tắc Tắt/Mở 7 và nhấn giữ xuống.

Để khóa, **nhấn** công tắc Tắt/Mở 7, nhấn nút khóa tự-chạy 8 vào.

Để **tắt máy**, nhả công tắc Tắt/Mở 7 ra hay khi công tắc đã được khóa bằng nút khóa tự-chạy 8, nhấn nhanh công tắc Tắt/Mở 7 và rời nhả ra.

Động tác xoay vòng

Để đạt hiệu suất cắt ở tốc độ cao, sự hoạt động theo chuyển động vòng phải liên tục.

Kiểm Soát Sự Ổn Định Điện Tử

Bộ kiểm soát sự ổn định điện tử giữ cho tần suất nhịp chạy hầu như ổn định trong tình trạng có tải cũng như không tải và đảm bảo sự đồng bộ trong hiệu suất vận hành.

Điều Khiển/Chỉnh Đặt Trước Tần Suất Nhịp Chạy

Tăng hay giảm lực áp lên công tắc Tắt/Mở 7 cho phép điều khiển tần suất nhịp chạy mà không thông qua từng giai đoạn khi máy đang hoạt động.

Lực bóp nhẹ lên công tắc Tắt/Mở 7 tạo ra tần suất nhịp chạy thấp. Tăng lực bóp cũng là làm tăng tần suất nhịp chạy.

Tần suất nhịp chạy cần có tốt nhất tùy thuộc vào loại vật liệu và điều kiện làm việc và có thể xác định thông qua việc chạy thử thực tế.

Khuyến nghị nên làm giảm tần suất nhịp chạy khi lưỡi cưa bắt đầu ăn vào vật liệu cũng như khi cưa nhựa mủ hay nhôm.

Hướng Dẫn Sử Dụng

Mách nước

- ▶ **Khi cưa các loại vật liệu xây dựng nhẹ, tuân thủ các điều luật đã được qui định cũng như các khuyến cáo của nhà cung cấp vật liệu.**

Kiểm tra xem có các vật lạ như đinh, đinh vít hay vật tương tự ở trong gỗ, ván ép hay vật liệu xây dựng v. v. và luôn luôn sử dụng đúng loại lưỡi cưa.

Cho máy hoạt động và đưa thẳng vào vật gia công. Đặt bàn chặn 2 lên trên bề mặt gia công và cưa xuyên qua vật liệu với lực áp máy và gia tải đồng đều. Sau khi hoàn tất công đoạn gia công, tắt máy.

Nếu giả như lưỡi cưa bị kẹt chặt, tắt máy ngay lập tức. Mở rộng miệng cắt vừa đủ bằng một dụng cụ thích hợp và kéo máy ra.

Cắt Xọc (xem hình E)

- ▶ **Quy trình cắt xọc chỉ thích hợp để xử lý các loại vật liệu mềm như gỗ, thạch cao tấm hay vật liệu tương tự! Không được áp dụng qui trình cắt xọc với vật liệu là kim loại!**

Chỉ sử dụng lưỡi cưa ngắn để cắt xọc.

Đặt máy với cạnh mũi của bàn chặn 2 tựa lên trên vật gia công và mở máy. Đối với dụng cụ điện có bộ phận kiểm soát tốc độ nhịp chạy, chỉnh đặt ở tốc độ nhịp chạy tối đa. Khiến dẫn dụng cụ điện thật chắc tay xuống vật gia công và để cho lưỡi cưa từ từ đâm xọc vào vật gia công.

Ngay sau khi bàn chặn 2 nằm hoàn toàn trên bề mặt của vật liệu, tiếp tục cưa dọc theo đường cưa yêu cầu.

Đối với loại công việc cụ thể nào đó, lưỡi cưa 1 cũng có thể lắp vào và xoay 180° và ta có thể khiến dẫn cưa kiểm một cách thích hợp theo cách ngược lại.

Cắt Bằng Mặt (xem hình F)

Sử dụng lưỡi cưa lưỡng kim đàn hồi, ta có thể cưa đứt vật vẫn còn cắm dính trên tường (vd. vật liệu xây dựng nằm nhô ra như là ống nước, v. v..) ngang bằng với mặt tường.

- ▶ **Hãy lưu ý rằng lưỡi cưa luôn luôn vươn rộng hơn đường kính của vật liệu được gia công. Có nguy cơ bị giật ngược.**

Đặt lưỡi cưa trực tiếp dựa lên trên tường và tạo lực đè ngang lên dụng cụ cho đến khi bàn chặn tựa vào tường. Cho dụng cụ điện hoạt động và cưa xuyên ngang vật gia công, giữ đều tay áp lực ngang.

Dung dịch làm mát/Bôi trơn

Khi cưa kim loại vật liệu gia công bị nóng lên, do đó; nên bôi dung dịch làm mát/bôi trơn dọc theo đường cắt.

Bảo Dưỡng và Bảo Quản

Bảo Dưỡng Và Làm Sạch

- ▶ **Trước khi tiến hành bất cứ việc gì trên máy, kéo phích cắm điện nguồn ra.**
- ▶ **Để được an toàn và máy hoạt động đúng chức năng, luôn luôn giữ máy và các khe thông gió được sạch.**

Làm sạch phần lắp ráp lưỡi cưa bằng hơi nén hay bằng một cọ mềm tùy ý. Tháo lưỡi cưa ra khỏi dụng cụ điện để thực hiện việc làm sạch này. Tra loại dầu nhờn thích hợp vào phần lắp ráp lưỡi cưa để đảm bảo bộ phận này hoạt động được tốt.

Máy bị quá dơ có thể làm cho sự hoạt động bị trục trặc. Vì vậy, không nên cưa vật liệu tạo nhiều bụi bám ở mặt dưới vật liệu hoặc cao quá đầu.

Nếu như cần phải thay dây dẫn điện thì công việc này phải do hãng Bosch, hay một đại lý được Bosch ủy nhiệm thực hiện để tránh gặp sự nguy hiểm do mất an toàn.

Nếu giả như máy bị trục trặc dù đã được theo dõi cẩn thận trong quá trình sản xuất và đã qua chạy kiểm tra, sự sửa chữa phải do trung tâm bảo hành-bảo trì dụng cụ điện cầm tay Bosch thực hiện.

Trong mọi thư từ giao dịch và đơn đặt hàng phụ tùng, xin vui lòng luôn viết đủ 10 con số đã được ghi trên nhãn máy.

Dịch Vụ Sau Khi Bán và Dịch Vụ Ứng Dụng

Bộ phận phục vụ hàng sau khi bán của chúng tôi sẽ trả lời các câu hỏi liên quan đến việc bảo trì và sửa chữa các sản phẩm cũng như các phụ tùng thay thế của bạn. Hình ảnh chi tiết và thông tin phụ tùng thay thế có thể tìm hiểu theo địa chỉ dưới đây:

www.bosch-pt.com

Bộ phận dịch vụ ứng dụng Bosch sẽ hân hạnh trả lời các câu hỏi liên quan đến các sản phẩm của chúng tôi và linh kiện của chúng.

Việt Nam

Công ty Trách Nhiệm Hữu Hạn Robert Bosch
Việt Nam, PT/SVN
Tầng 10, 194 Golden Building
473 Điện Biên Phủ
Phường 25, Quận Bình Thạnh
Thành Phố Hồ Chí Minh
Việt Nam
Tel.: (08) 6258 3690 Ext 413
Fax: (08) 6258 3692
hieu.lagia@vn.bosch.com
www.bosch-pt.com

Thải bỏ

Máy, linh kiện và bao bì phải được phân loại để tái chế theo hướng thân thiện với môi trường.

Không được thải bỏ dụng cụ điện vào chung với rác sinh hoạt!

Được quyền thay đổi nội dung mà không phải thông báo trước.