



GCO 14-24 J Professional **HEAVY DUTY**

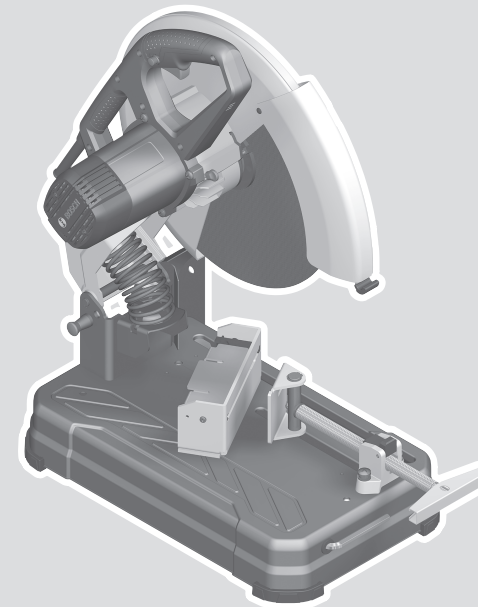
Robert Bosch Power Tools GmbH
70538 Stuttgart
GERMANY

www.bosch-pt.com

1 609 92A 6CU (2020.12) PS / 78



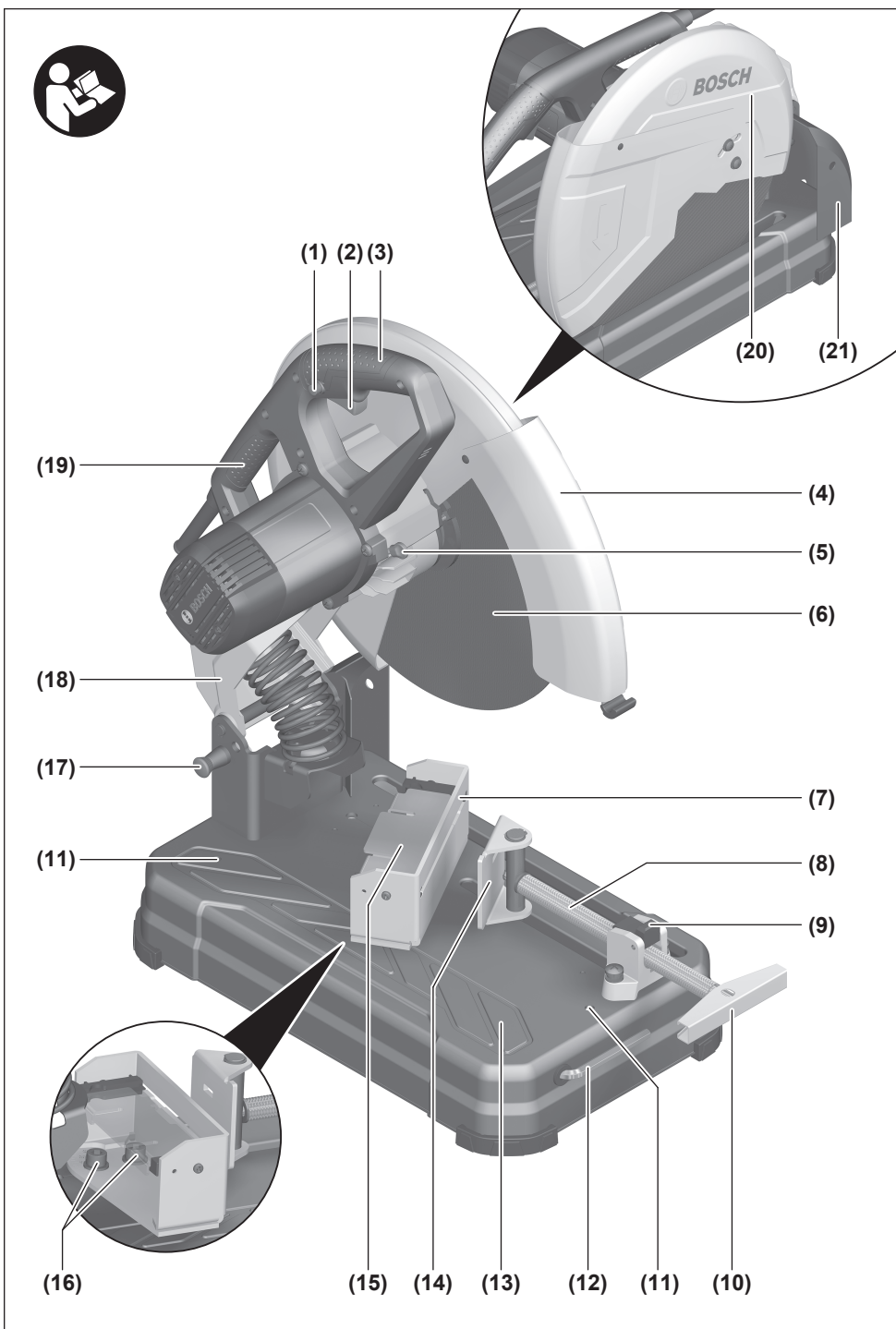
1 609 92A 6CU

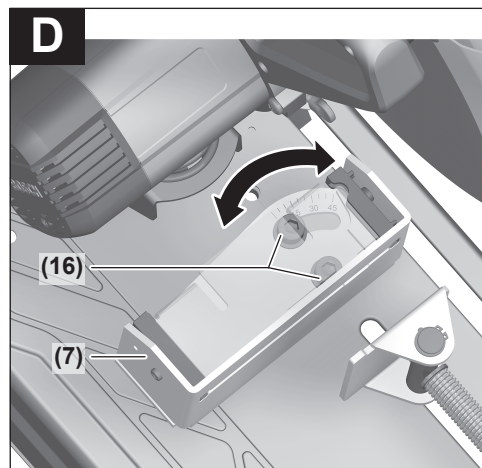
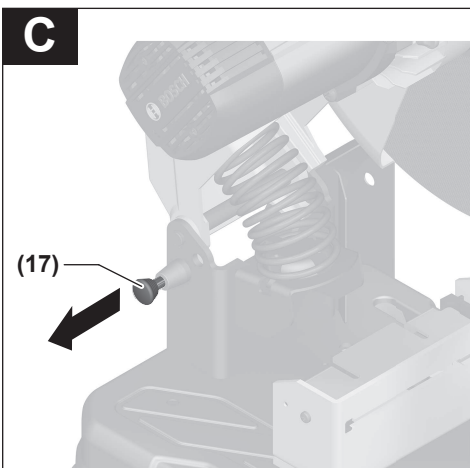
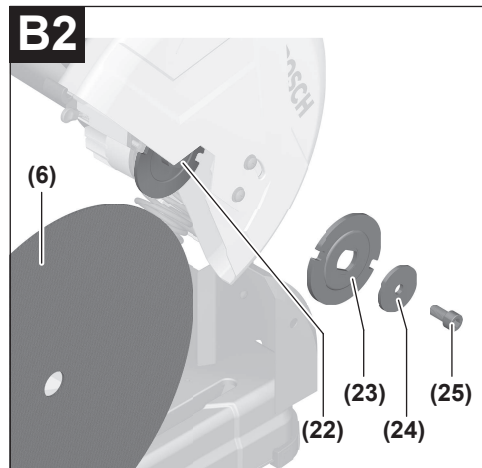
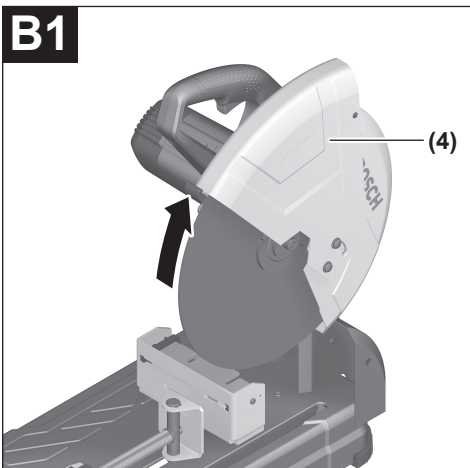
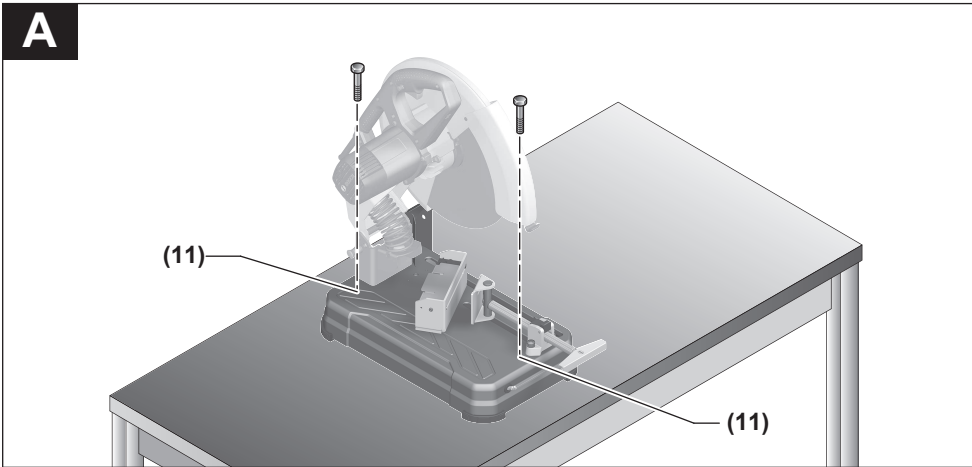


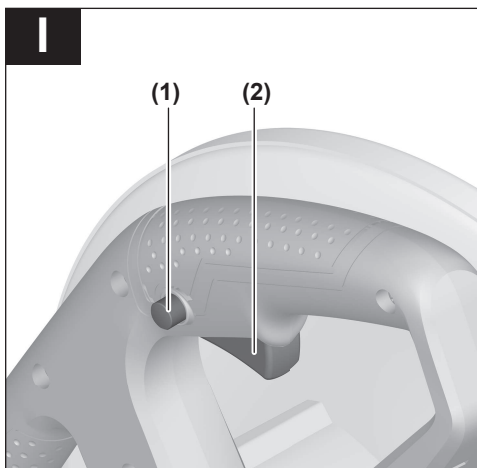
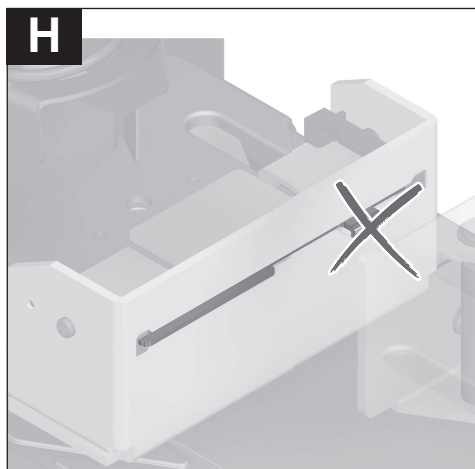
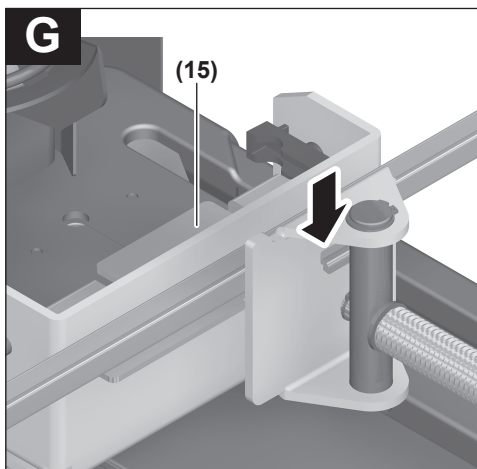
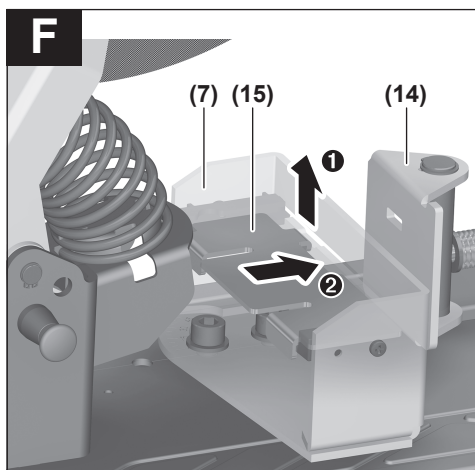
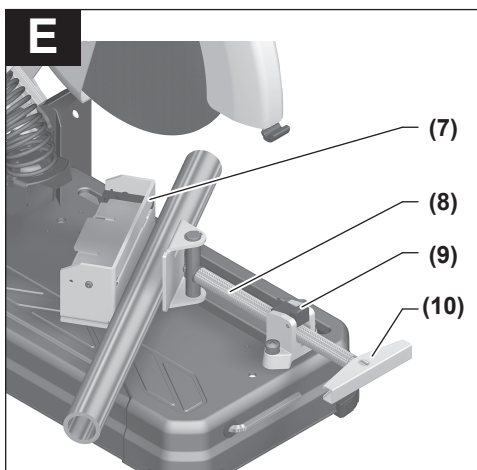
- en Original instructions
- fr Notice originale
- pt Manual original
- zh 正本使用说明书
- zh 原始使用說明書
- th หนังสือคู่มือการใช้งานฉบับต้นแบบ
- id Petunjuk-Petunjuk untuk Penggunaan Orisinal
- vi Bản gốc hướng dẫn sử dụng
- ar دليل التشغيل الأصلي
- fa دفترچه راهنمای اصلی



English	Page	6
Français	Page	12
Português	Página	20
中文	頁	27
繁體中文	頁	33
ไทย	หน้า	39
Bahasa Indonesia	Halaman	47
Tiếng Việt	Trang	54
عربي	الصفحة	63
فارسی	صفحه	71







English

Safety Instructions

General Power Tool Safety Warnings

⚠ WARNING Read all safety warnings, instructions, illustrations and specifications provided with this power tool. Failure to follow all instructions listed below may result in electric shock, fire and/or serious injury.

Save all warnings and instructions for future reference.

The term "power tool" in the warnings refers to your mains-operated (corded) power tool or battery-operated (cordless) power tool.

Work area safety

- ▶ **Keep work area clean and well lit.** Cluttered or dark areas invite accidents.
- ▶ **Do not operate power tools in explosive atmospheres, such as in the presence of flammable liquids, gases or dust.** Power tools create sparks which may ignite the dust or fumes.
- ▶ **Keep children and bystanders away while operating a power tool.** Distractions can cause you to lose control.

Electrical safety

- ▶ **Power tool plugs must match the outlet. Never modify the plug in any way. Do not use any adapter plugs with earthed (grounded) power tools.** Unmodified plugs and matching outlets will reduce risk of electric shock.
- ▶ **Avoid body contact with earthed or grounded surfaces, such as pipes, radiators, ranges and refrigerators.** There is an increased risk of electric shock if your body is earthed or grounded.
- ▶ **Do not expose power tools to rain or wet conditions.** Water entering a power tool will increase the risk of electric shock.
- ▶ **Do not abuse the cord. Never use the cord for carrying, pulling or unplugging the power tool. Keep cord away from heat, oil, sharp edges or moving parts.** Damaged or entangled cords increase the risk of electric shock.
- ▶ **When operating a power tool outdoors, use an extension cord suitable for outdoor use.** Use of a cord suitable for outdoor use reduces the risk of electric shock.
- ▶ **If operating a power tool in a damp location is unavoidable, use a residual current device (RCD) protected supply.** Use of an RCD reduces the risk of electric shock.

Personal safety

- ▶ **Stay alert, watch what you are doing and use common sense when operating a power tool. Do not use a power tool while you are tired or under the influence of drugs, alcohol or medication.** A moment of inatten-

tion while operating power tools may result in serious personal injury.

- ▶ **Use personal protective equipment. Always wear eye protection.** Protective equipment such as a dust mask, non-skid safety shoes, hard hat or hearing protection used for appropriate conditions will reduce personal injuries.
- ▶ **Prevent unintentional starting. Ensure the switch is in the off-position before connecting to power source and/or battery pack, picking up or carrying the tool.** Carrying power tools with your finger on the switch or energising power tools that have the switch on invites accidents.
- ▶ **Remove any adjusting key or wrench before turning the power tool on.** A wrench or a key left attached to a rotating part of the power tool may result in personal injury.
- ▶ **Do not overreach. Keep proper footing and balance at all times.** This enables better control of the power tool in unexpected situations.
- ▶ **Dress properly. Do not wear loose clothing or jewellery. Keep your hair and clothing away from moving parts.** Loose clothes, jewellery or long hair can be caught in moving parts.
- ▶ **If devices are provided for the connection of dust extraction and collection facilities, ensure these are connected and properly used.** Use of dust collection can reduce dust-related hazards.
- ▶ **Do not let familiarity gained from frequent use of tools allow you to become complacent and ignore tool safety principles.** A careless action can cause severe injury within a fraction of a second.

Power tool use and care

- ▶ **Do not force the power tool. Use the correct power tool for your application.** The correct power tool will do the job better and safer at the rate for which it was designed.
- ▶ **Do not use the power tool if the switch does not turn it on and off.** Any power tool that cannot be controlled with the switch is dangerous and must be repaired.
- ▶ **Disconnect the plug from the power source and/or remove the battery pack, if detachable, from the power tool before making any adjustments, changing accessories, or storing power tools.** Such preventive safety measures reduce the risk of starting the power tool accidentally.
- ▶ **Store idle power tools out of the reach of children and do not allow persons unfamiliar with the power tool or these instructions to operate the power tool.** Power tools are dangerous in the hands of untrained users.
- ▶ **Maintain power tools and accessories. Check for misalignment or binding of moving parts, breakage of parts and any other condition that may affect the power tool's operation. If damaged, have the power tool repaired before use.** Many accidents are caused by poorly maintained power tools.

- ▶ **Keep cutting tools sharp and clean.** Properly maintained cutting tools with sharp cutting edges are less likely to bind and are easier to control.
- ▶ **Use the power tool, accessories and tool bits etc. in accordance with these instructions, taking into account the working conditions and the work to be performed.** Use of the power tool for operations different from those intended could result in a hazardous situation.
- ▶ **Keep handles and grasping surfaces dry, clean and free from oil and grease.** Slippery handles and grasping surfaces do not allow for safe handling and control of the tool in unexpected situations.

Service

- ▶ **Have your power tool serviced by a qualified repair person using only identical replacement parts.** This will ensure that the safety of the power tool is maintained.

Cut-off machine safety warnings

- ▶ **Position yourself and bystanders away from the plane of the rotating wheel.** The guard helps to protect the operator from broken wheel fragments and accidental contact with wheel.
- ▶ **Use only bonded reinforced cut-off wheels for your power tool.** Just because an accessory can be attached to your power tool, it does not assure safe operation.
- ▶ **The rated speed of the accessory must be at least equal to the maximum speed marked on the power tool.** Accessories running faster than their rated speed can break and fly apart.
- ▶ **Wheels must be used only for recommended applications. For example: do not grind with the side of a cut-off wheel.** Abrasive cut-off wheels are intended for peripheral grinding, side forces applied to these wheels may cause them to shatter.
- ▶ **Always use undamaged wheel flanges that are of correct diameter for your selected wheel.** Proper wheel flanges support the wheel thus reducing the possibility of wheel breakage.
- ▶ **The outside diameter and the thickness of your accessory must be within the capacity rating of your power tool.** Incorrectly sized accessories cannot be adequately guarded or controlled.
- ▶ **The arbour size of wheels and flanges must properly fit the spindle of the power tool.** Wheels and flanges with arbour holes that do not match the mounting hardware of the power tool will run out of balance, vibrate excessively and may cause loss of control.
- ▶ **Do not use damaged wheels. Before each use, inspect the wheels for chips and cracks. If the power tool or wheel is dropped, inspect for damage or install an undamaged wheel. After inspecting and installing the wheel, position yourself and bystanders away from the plane of the rotating wheel and run the power tool at maximum no load speed for one minute.** Damaged wheels will normally break apart during this test time.

- ▶ **Wear personal protective equipment. Depending on application, use face shield, safety goggles or safety glasses. As appropriate, wear dust mask, hearing protectors, gloves and shop apron capable of stopping small abrasive or workpiece fragments.** The eye protection must be capable of stopping flying debris generated by various operations. The dust mask or respirator must be capable of filtering particles generated by your operation. Prolonged exposure to high intensity noise may cause hearing loss.
- ▶ **Keep bystanders a safe distance away from work area. Anyone entering the work area must wear personal protective equipment.** Fragments of workpiece or of a broken wheel may fly away and cause injury beyond immediate area of operation.
- ▶ **Position the cord clear of the spinning accessory.** If you lose control, the cord may be cut or snagged and your hand or arm may be pulled into the spinning wheel.
- ▶ **Regularly clean the power tool's air vents.** The motor's fan can draw the dust inside the housing and excessive accumulation of powdered metal may cause electrical hazards.
- ▶ **Do not operate the power tool near flammable materials. Do not operate the power tool while placed on a combustible surface such as wood.** Sparks could ignite these materials.
- ▶ **Do not use accessories that require liquid coolants.** Using water or other liquid coolants may result in electrocution or shock.

Kickback and related warnings

Kickback is a sudden reaction to a pinched or snagged rotating wheel. Pinching or snagging causes rapid stalling of the rotating wheel which in turn causes the uncontrolled **cutting unit** to be forced upwards toward the operator.

For example, if an abrasive wheel is snagged or pinched by the workpiece, the edge of the wheel that is entering into the pinch point can dig into the surface of the material causing the wheel to climb out or kick out. Abrasive wheels may also break under these conditions.

Kickback is the result of power tool misuse and/or incorrect operating procedures or conditions and can be avoided by taking proper precautions as given below.

- ▶ **Maintain a firm grip on the power tool and position your body and arm to allow you to resist kickback forces.** The operator can control upward kickback forces, if proper precautions are taken.
- ▶ **Do not position your body in line with the rotating wheel.** If kickback occurs, it will propel the cutting unit upwards toward the operator.
- ▶ **Do not attach a saw chain, woodcarving blade, segmented diamond wheel with a peripheral gap greater than 10 mm or toothed saw blade.** Such blades create frequent kickback and loss of control.
- ▶ **Do not "jam" the wheel or apply excessive pressure. Do not attempt to make an excessive depth of cut.** Overstressing the wheel increases the loading and sus-

ceptibility to twisting or binding of the wheel in the cut and the possibility of kickback or wheel breakage.

- ▶ **When the wheel is binding or when interrupting a cut for any reason, switch off the power tool and hold the cutting unit motionless until the wheel comes to a complete stop. Never attempt to remove the wheel from the cut while the wheel is in motion otherwise kickback may occur.** Investigate and take corrective action to eliminate the cause of wheel binding.
- ▶ **Do not restart the cutting operation in the workpiece. Let the wheel reach full speed and carefully re-enter the cut.** The wheel may bind, walk up or kickback if the power tool is restarted in the workpiece.
- ▶ **Support any oversized workpiece to minimize the risk of wheel pinching and kickback.** Large workpieces tend to sag under their own weight. Supports must be placed under the workpiece near the line of cut and near the edge of the workpiece on both sides of the wheel.

Additional safety information

- ▶ **Store the power tool safely when it is not in use. The storage location must be dry and lockable.** This prevents the power tool from storage damage, and from being operated by untrained persons.
- ▶ **Always firmly clamp the workpiece into place. Do not carry out work on workpieces that are too small to be clamped.** Otherwise, the distance between your hand and the rotating cutting disc will be too small.
- ▶ **Check the cable regularly and have a damaged cable repaired only by an authorised customer service agent for Bosch power tools. Replace damaged extension cables.** This will ensure that the safety of the power tool is maintained.
- ▶ **Never stand on the power tool.** Serious injuries may occur if the power tool tips over or if you inadvertently come into contact with the saw blade.
- ▶ **Always use the protective guard.** The protective guard protects users from any parts that break off from the cutting disc and prevents unintentional contact with the cutting disc.
- ▶ **Do not brake the cutting disc to a stop by applying side pressure after switching the power tool off.** The cutting disc can be damaged, break or cause kickback.
- ▶ **Never leave the tool unattended before it has come to a complete stop.** Cutting tools that are still running can cause injuries.

Products sold in GB only:

Your product is fitted with an BS 1363/A approved electric plug with internal fuse (ASTA approved to BS 1362).

If the plug is not suitable for your socket outlets, it should be cut off and an appropriate plug fitted in its place by an authorised customer service agent. The replacement plug should have the same fuse rating as the original plug.

The severed plug must be disposed of to avoid a possible shock hazard and should never be inserted into a mains socket elsewhere.

Symbols

The following symbols may be important for the operation of your power tool. Please take note of these symbols and their meaning. Correctly interpreting the symbols will help you to operate the power tool more effectively and safely.

Symbols and their meaning



Wear safety goggles.



Wear hearing protection. Exposure to noise can cause hearing loss.



Wear a dust mask.



Keep hands away from the cutting area while the power tool is running. Contact with the cutting blade can lead to injuries.



Wear protective gloves. Cutting discs have sharp edges and become very hot during operation.

Product Description and Specifications



Read all the safety and general instructions.

Failure to observe the safety and general instructions may result in electric shock, fire and/or serious injury.

Please observe the illustrations at the beginning of this operating manual.

Intended use

The power tool is a stationary machine that uses cutting discs to cut metal materials with and against the grain, in straight lines and at mitre angles up to 45°, without the use of water.

Using diamond-tipped cutting discs is not permitted.

Product Features

The numbering of the product features refers to the diagram of the power tool on the graphics page.

- (1) Lock-off function for on/off switch
- (2) On/off switch
- (3) Handle

- (4) Retracting blade guard
- (5) Spindle lock
- (6) Cutting disc
- (7) Angle guide
- (8) Locking spindle
- (9) Quick release
- (10) Spindle handle
- (11) Assembly holes
- (12) Hex key (8 mm)
- (13) Base plate
- (14) Clamping jaw
- (15) Workpiece support for workpieces with cross section of max. 40 x 40 mm
- (16) Locking screw for angle guide
- (17) Transport safety lock
- (18) Tool arm
- (19) Transport handle
- (20) Protective guard
- (21) Spark guard plate
- (22) Tool spindle
- (23) Clamping flange
- (24) Washer
- (25) Hexagon screw

Technical Data

Cut-off grinder		GCO 14-24 J
Article number		3 601 M37 2..
Rated power input	W	2400
No-load speed	min ⁻¹	3800
Soft start		●
Weight according to EPTA-Procedure 01:2014	kg	18.0
Protection class		□ / II

Permitted workpiece dimensions (maximum/minimum): Permissible workpiece dimensions

The specifications apply to a rated voltage [U] of 230 V. These specifications may vary at different voltages and in country-specific models.

Dimensions of suitable cutting discs

Max. cutting disc diameter	mm	355
Max. cutting disc thickness	mm	3
Hole diameter	mm	25.4

Assembly

- ▶ **Avoid starting the power tool unintentionally. The mains plug must not be connected to the power supply during assembly or when carrying out any kind of work on the power tool.**

Items included

Carefully remove all parts included in the delivery from their packaging.

Remove all packing material from the power tool and the accessories provided.

Check to ensure that all the parts listed below have been supplied before using the power tool for the first time:

- Cut-off grinder with cutting disc fitted
- Hex key (12)

Note: Check the power tool for possible damage.

Before continuing to use the power tool, carefully check that all protective devices or slightly damaged parts are working perfectly and according to specifications. Check that the moving parts are working perfectly and without jamming; check whether any parts are damaged. All parts must be fitted correctly and all the conditions necessary to ensure smooth operation must be met.

If the protective devices or any parts become damaged, you must have them properly repaired or replaced by an authorised service centre.

Stationary or flexible mounting

- ▶ **To ensure safe handling, the power tool must be mounted on a flat, stable work surface (e.g. work bench) before use.**

Mounting on a work surface (see figure A)

- Use suitable screw fasteners to secure the power tool to the work surface. Use the holes (11) to do this.

Flexible installation (not recommended)

In exceptional circumstances, if it is not possible to securely mount the power tool on a work surface, you can improvise by placing the feet of the base plate (13) on an appropriate base (e.g. workbench, flat ground, etc.), without screwing down the power tool.

Changing the Cutting Disc (see figures B1 – B2)

- ▶ **Pull the plug out of the socket before carrying out any work on the power tool.**
- ▶ **Do not activate the spindle lock (5) while the tool spindle (22) is moving.** The power tool may become damaged if you do this.
- ▶ **Do not touch the cutting disc after use until it has cooled.** The cutting disc becomes very hot during use.

Only use cutting discs that match the specifications given in this operating manual and that have been tested and marked in accordance with EN 12413.

Use any intermediate layers provided with the cutting disc. Place unused cutting discs in an enclosed container or their original packaging. Store the cutting discs lying flat.

Removing the cutting disc

- Bring the power tool into the work position.
- Swivel the retracting blade guard (4) backwards as far as possible.

- Turn the hexagon screw (25) using the hex key (12) provided while pressing the spindle lock (5) until it engages.
- Hold the spindle lock down and unscrew the hexagon screw (25).
- Remove the washer (24) and the clamping flange (23).
- Remove the cutting disc (6).

Fitting the cutting disc

If required, clean all the parts you want to fit before installing them.

- Place the new cutting disc on the tool spindle (22) such that the sticker points away from the tool arm.
- Fit the clamping flange (23), the washer (24) and the hexagon screw (25). Press the spindle lock (5) until it engages and retighten the hexagon screw (25) by turning it clockwise. (Tightening torque approx. 18–20 Nm)
- Slowly guide the retracting blade guard (4) all the way down until the cutting disc is completely covered.
- Make sure that the retracting blade guard (4) is working properly.

After fitting the cutting disc, check that the cutting disc is fitted correctly and can turn freely before switching on the power tool.

- Make sure that the cutting disc does not brush against the retracting blade guard (4), the fixed protective guard (20) or any other parts.
- Put the power tool into operation for approx. 30 seconds. If there is substantial vibration, switch the power tool off immediately, remove the cutting disc and then refit it.

Operation

- ▶ **Pull the plug out of the socket before carrying out any work on the power tool.**

Transport Safety Lock (see figure C)

The transport safety lock (17) makes it easier to handle the power tool when transporting it to various working locations.

Unlocking the power tool (work position)

- Press the tool arm down slightly by the handle (3) to release the transport safety lock (17).
- Pull the transport safety lock (17) all the way out.
- Slowly guide the tool arm upwards.

Note: Make sure that the transport safety lock is not pushed in when working, otherwise the tool arm will not be able to be swivelled to the required depth.

Locking the power tool (transport position)

- Guide the tool arm downwards until you can press the transport safety lock (17) all the way in.

Further information about transporting (see "Transport", page 12).

Setting the Mitre Angle (see figure D)

The mitre angle can be set between 0° and 45°. Important settings are marked with corresponding markings on the angle guide (7). The 0° and 45° positions are secured by the respective end stop.

- Loosen the locking screws (16) on the angle guide using the hex key (12) (8 mm) provided.
- Set the required angle and retighten both locking screws (16).

Moving the Angle Guide (see figures D–E)

If you want to cut workpieces more than 140 mm wide, you can move the angle guide (7) backwards.

- Completely unscrew the locking screws (16) using the hex key provided (12) (8 mm).
- Move the angle guide (7) backwards by one or two holes to the required distance.
- Set the required angle and retighten both locking screws (16).

Clamping the workpiece

To ensure maximum safety while working, the workpiece must always be firmly clamped.

Do not saw workpieces that are too small to clamp firmly.

Clamping the Workpiece (see figure E)

- Place the workpiece against the angle guide (7).
- Slide the locking spindle (8) against the workpiece and clamp the workpiece in place using the spindle handle (10).

Securing the Workpiece (cross section of max. 40 x 40 mm) (see figures F–H)

- Set the angle guide (7) to the standard 0° mitre/bevel angle.
- Lift the workpiece support (15) slightly and slide it through the slot in the angle guide.
- Hang the hook of the workpiece support in the opening of the clamping jaw (14).
- Place the workpiece on the workpiece support (15).
- Slide the locking spindle (8) against the workpiece and clamp the workpiece in place using the spindle handle (10).

▶ **Ensure that the workpiece support is securely connected to the clamping jaw and does not tip when you place the workpiece on it.**

▶ **Ensure that the height of the workpiece on the workpiece support is max. 40 mm. Taller workpieces cannot be clamped securely in place.**

▶ **Ensure that the workpiece support is slid back completely into the angle guide after use. A protruding hook prevents a workpiece from being securely clamped.**

Releasing the workpiece

- Release the spindle handle (10).

- Open the quick release **(9)** and pull the locking spindle **(8)** away from the workpiece.

Start-up

- ▶ **Pay attention to the mains voltage.** The voltage of the power source must match the voltage specified on the rating plate of the charger. Chargers marked 230 V can also be operated at 220 V.
- ▶ **Products that are only sold in AUS and NZ:** Use a residual current device (RCD) with a nominal residual current of 30 mA or less.
- ▶ **Check the cutting disc before using it. The cutting disc must be fitted properly and be able to rotate freely. Carry out a test run for at least 30 seconds with no load. Do not use cutting discs that are damaged, run untrue or vibrate during use.** Damaged cutting discs can shatter and cause injuries.

The dust from materials such as lead paint, minerals and metal can be harmful to human health. Touching or breathing in this dust can trigger allergic reactions and/or cause respiratory illnesses in the user or in people in the near vicinity.

Certain kinds of metal dust are hazardous, especially in combination with alloys such as zinc, aluminium or chrome. Materials containing asbestos may only be machined by specialists.

- Provide good ventilation at the workplace.
- It is advisable to wear a P2 filter class breathing mask.

The regulations on the materials being machined that apply in the country of use must be observed.

The cutting disc can become blocked by dust, chips or fragments of the workpiece in the recess of the base plate **(13)**.

- Switch the power tool off and pull the mains plug out of the socket.
- Wait until the cutting disc has come to a complete stop.
- Tilt the power tool backwards so that small pieces of the workpiece can fall out of the opening designed for this purpose.
If necessary, use a suitable tool to remove all the pieces of workpiece.

- ▶ **Avoid dust accumulation at the workplace.** Dust can easily ignite.

Position of the operator

- ▶ **Do not stand in front of the power tool in line with the cutting disc. Always stand to the side of the cutting disc.** If the cutting disc breaks, your body is more protected from possible splinters in this position.

Switching On/Off (see figure 1)

- To **start**, first press the lock-off button **(1)**. Then press the on/off switch **(2)** and keep it pressed.

Note: For safety reasons, the on/off switch **(2)** cannot be locked; it must remain pressed throughout operation.

- To **switch off**, release the on/off switch **(2)**.

Soft start

The electronic soft start limits the torque when the power tool is switched on and increases the service life of the motor.

Practical advice

General advice on using cutting discs

- ▶ **Do not touch the cutting disc after use until it has cooled.** The cutting disc becomes very hot during use.
- ▶ **Make sure that the spark guard plate **(21)** is fitted properly.** Flying sparks are created when sanding metals.


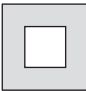
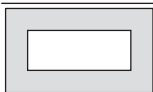
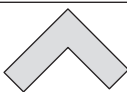
Protect the cutting disc against impact, shock and grease. Do not subject the cutting disc to lateral pressure.

Do not load the power tool so heavily that it comes to a stop. Excessive feed significantly reduces the performance of the power tool and the service life of the cutting disc.

Only use cutting discs that are suitable for the material being machined.

Permissible workpiece dimensions

Maximum workpiece dimensions:

Workpiece shape	Mitre angle	
	0°	45°
	Dia. 129	Dia. 128
	119 x 119	110 x 110
	100 x 196	107 x 115
	130 x 130	115 x 115

Minimum workpiece dimensions

(= all workpieces which can still be clamped in place with the locking spindle **(8)**): Length 80 mm

Maximum cutting depth (0°/0°): 129 mm

Cutting metal

- Set the required mitre angle as necessary.
- Firmly clamp the workpiece as appropriate for its dimensions.
- Switch on the power tool.
- Slowly guide the tool arm downwards using the handle **(3)**.
- Cut the workpiece, applying uniform feed.
- Switch off the power tool and wait until the cutting disc has come to a complete stop.
- Slowly guide the tool arm upwards.

Transport

- Always carry the power tool by the transport handle (19).
- ▶ **Only use the transport devices to transport the power tool and never the protective devices.**

Maintenance and Service**Maintenance and cleaning**

- ▶ **Pull the plug out of the socket before carrying out any work on the power tool.**
- ▶ **To ensure safe and efficient operation, always keep the power tool and the ventilation slots clean.**

In order to avoid safety hazards, if the power supply cord needs to be replaced, this must be done by **Bosch** or by an after-sales service centre that is authorised to repair **Bosch** power tools.

- ▶ **Clean the air vents on your power tool regularly.** The motor's fan will draw the dust inside the housing and excessive accumulation of powdered metal may cause electrical hazards.
- ▶ **In extreme conditions, always use a dust extractor if possible. Blow out ventilation slots frequently and install a residual current device (RCD) upstream.** When machining metals, conductive dust can settle inside the power tool, which can affect its protective insulation.
- ▶ **Have maintenance and repair work performed exclusively by a qualified specialist.** This will ensure that the safety of the power tool is maintained.

The retracting blade guard must always be able to move freely and retract automatically. It is therefore important to keep the area around the retracting blade guard clean at all times.

Accessories

	Article number
Cutting discs for all metal materials	
Cutting disc 355 x 25.4 mm	2 608 600 208
Cutting disc 355 x 25.4 mm	2 608 600 223

After-Sales Service and Application Service

Our after-sales service responds to your questions concerning maintenance and repair of your product as well as spare parts. You can find explosion drawings and information on spare parts at: www.bosch-pt.com

The Bosch product use advice team will be happy to help you with any questions about our products and their accessories.

In all correspondence and spare parts orders, please always include the 10-digit article number given on the nameplate of the product.

Malaysia

Robert Bosch Sdn. Bhd. (220975-V) PT/SMY
No. 8A, Jalan 13/6
46200 Petaling Jaya

Selangor

Tel.: (03) 79663194

Toll-Free: 1800 880188

Fax: (03) 79583838

E-Mail: kiathoe.chong@my.bosch.com

www.bosch-pt.com.my

You can find further service addresses at:

www.bosch-pt.com/serviceaddresses

Disposal

The power tool, accessories and packaging should be recycled in an environmentally friendly manner.



Do not dispose of power tools along with household waste.

Français**Consignes de sécurité****Avertissements de sécurité généraux pour l'outil électrique**

AVERTISSEMENT Lire tous les avertissements de sécurité, les instructions, les illustrations et les spécifications fournis

avec cet outil électrique. Ne pas suivre les instructions énumérées ci-dessous peut provoquer un choc électrique, un incendie et/ou une blessure sérieuse.

Conserver tous les avertissements et toutes les instructions pour pouvoir s'y reporter ultérieurement.

Le terme "outil électrique" dans les avertissements fait référence à votre outil électrique alimenté par le secteur (avec cordon d'alimentation) ou votre outil électrique fonctionnant sur batterie (sans cordon d'alimentation).

Sécurité de la zone de travail

- ▶ **Conserver la zone de travail propre et bien éclairée.** Les zones en désordre ou sombres sont propices aux accidents.
- ▶ **Ne pas faire fonctionner les outils électriques en atmosphère explosive, par exemple en présence de liquides inflammables, de gaz ou de poussières.** Les outils électriques produisent des étincelles qui peuvent enflammer les poussières ou les fumées.
- ▶ **Maintenir les enfants et les personnes présentes à l'écart pendant l'utilisation de l'outil électrique.** Les distractions peuvent vous faire perdre le contrôle de l'outil.

Sécurité électrique

- ▶ **Il faut que les fiches de l'outil électrique soient adaptées au socle. Ne jamais modifier la fiche de quelque façon que ce soit. Ne pas utiliser d'adaptateurs avec**

des outils électriques à branchement de terre. Des fiches non modifiées et des socles adaptés réduisent le risque de choc électrique.

- ▶ **Éviter tout contact du corps avec des surfaces reliées à la terre telles que les tuyaux, les radiateurs, les cuisinières et les réfrigérateurs.** Il existe un risque accru de choc électrique si votre corps est relié à la terre.
- ▶ **Ne pas exposer les outils électriques à la pluie ou à des conditions humides.** La pénétration d'eau à l'intérieur d'un outil électrique augmente le risque de choc électrique.
- ▶ **Ne pas maltraiter le cordon. Ne jamais utiliser le cordon pour porter, tirer ou débrancher l'outil électrique. Maintenir le cordon à l'écart de la chaleur, du lubrifiant, des arêtes vives ou des parties en mouvement.** Des cordons endommagés ou emmêlés augmentent le risque de choc électrique.
- ▶ **Lorsqu'on utilise un outil électrique à l'extérieur, utiliser un prolongateur adapté à l'utilisation extérieure.** L'utilisation d'un cordon adapté à l'utilisation extérieure réduit le risque de choc électrique.
- ▶ **Si l'usage d'un outil électrique dans un emplacement humide est inévitable, utiliser une alimentation protégée par un dispositif à courant différentiel résiduel (RCD).** L'usage d'un RCD réduit le risque de choc électrique.

Sécurité des personnes

- ▶ **Rester vigilant, regarder ce que vous êtes en train de faire et faire preuve de bon sens dans votre utilisation de l'outil électrique. Ne pas utiliser un outil électrique lorsque vous êtes fatigué ou sous l'emprise de drogues, de l'alcool ou de médicaments.** Un moment d'inattention en cours d'utilisation d'un outil électrique peut entraîner des blessures graves.
- ▶ **Utiliser un équipement de protection individuelle. Toujours porter une protection pour les yeux.** Les équipements de protection individuelle tels que les masques contre les poussières, les chaussures de sécurité antidérapantes, les casques ou les protections auditives utilisés pour les conditions appropriées réduisent les blessures.
- ▶ **Éviter tout démarrage intempestif. S'assurer que l'interrupteur est en position arrêt avant de brancher l'outil au secteur et/ou au bloc de batteries, de le ramasser ou de le porter.** Porter les outils électriques en ayant le doigt sur l'interrupteur ou brancher des outils électriques dont l'interrupteur est en position marche est source d'accidents.
- ▶ **Retirer toute clé de réglage avant de mettre l'outil électrique en marche.** Une clé laissée fixée sur une partie tournante de l'outil électrique peut donner lieu à des blessures.
- ▶ **Ne pas se précipiter. Garder une position et un équilibre adaptés à tout moment.** Cela permet un meilleur contrôle de l'outil électrique dans des situations inattendues.
- ▶ **S'habiller de manière adaptée. Ne pas porter de vêtements amples ou de bijoux. Garder les cheveux et les vêtements à distance des parties en mouvement.** Des vêtements amples, des bijoux ou les cheveux longs peuvent être pris dans des parties en mouvement.
- ▶ **Si des dispositifs sont fournis pour le raccordement d'équipements pour l'extraction et la récupération des poussières, s'assurer qu'ils sont connectés et correctement utilisés.** Utiliser des collecteurs de poussière peut réduire les risques dus aux poussières.
- ▶ **Rester vigilant et ne pas négliger les principes de sécurité de l'outil sous prétexte que vous avez l'habitude de l'utiliser.** Une fraction de seconde d'inattention peut provoquer une blessure grave.

Utilisation et entretien de l'outil électrique

- ▶ **Ne pas forcer l'outil électrique. Utiliser l'outil électrique adapté à votre application.** L'outil électrique adapté réalise mieux le travail et de manière plus sûre au régime pour lequel il a été construit.
- ▶ **Ne pas utiliser l'outil électrique si l'interrupteur ne permet pas de passer de l'état de marche à arrêt et inversement.** Tout outil électrique qui ne peut pas être commandé par l'interrupteur est dangereux et il faut le réparer.
- ▶ **Débrancher la fiche de la source d'alimentation et/ou enlever le bloc de batteries, s'il est amovible, avant tout réglage, changement d'accessoires ou avant de ranger l'outil électrique.** De telles mesures de sécurité préventives réduisent le risque de démarrage accidentel de l'outil électrique.
- ▶ **Conserver les outils électriques à l'arrêt hors de la portée des enfants et ne pas permettre à des personnes ne connaissant pas l'outil électrique ou les présentes instructions de le faire fonctionner.** Les outils électriques sont dangereux entre les mains d'utilisateurs novices.
- ▶ **Observer la maintenance des outils électriques et des accessoires. Vérifier qu'il n'y a pas de mauvais alignement ou de blocage des parties mobiles, des pièces cassées ou toute autre condition pouvant affecter le fonctionnement de l'outil électrique. En cas de dommages, faire réparer l'outil électrique avant de l'utiliser.** De nombreux accidents sont dus à des outils électriques mal entretenus.
- ▶ **Garder affûtés et propres les outils permettant de couper.** Des outils destinés à couper correctement entretenus avec des pièces coupantes tranchantes sont moins susceptibles de bloquer et sont plus faciles à contrôler.
- ▶ **Utiliser l'outil électrique, les accessoires et les lames etc., conformément à ces instructions, en tenant compte des conditions de travail et du travail à réaliser.** L'utilisation de l'outil électrique pour des opérations différentes de celles prévues peut donner lieu à des situations dangereuses.

- ▶ **Il faut que les poignées et les surfaces de préhension restent sèches, propres et dépourvues d'huiles et de graisses.** Des poignées et des surfaces de préhension glissantes rendent impossibles la manipulation et le contrôle en toute sécurité de l'outil dans les situations inattendues.

Maintenance et entretien

- ▶ **Faire entretenir l'outil électrique par un réparateur qualifié utilisant uniquement des pièces de rechange identiques.** Cela assure le maintien de la sécurité de l'outil électrique.

Avertissements de sécurité relatifs aux tronçonneuses à disque

- ▶ **Se positionner ainsi que les personnes présentes à distance du plan du disque rotatif.** Le protecteur contribue à protéger l'opérateur des fragments cassés de disque et d'un contact accidentel avec le disque.
- ▶ **Utiliser uniquement des disques de tronçonnage agglomérés renforcés pour votre outil électrique.** Le fait qu'un accessoire puisse être fixé sur votre outil électrique ne suffit pas à assurer un fonctionnement en toute sécurité.
- ▶ **La vitesse assignée de l'accessoire doit être au moins égale à la vitesse maximale marquée sur l'outil électrique.** Des accessoires fonctionnant à une vitesse supérieure à leur vitesse assignée peuvent se casser et voler en éclat.
- ▶ **Les disques doivent être utilisés uniquement pour les applications recommandées. Par exemple: ne pas meuler avec la tranche du disque de tronçonnage.** Les disques abrasifs de tronçonnage sont destinés au meulage périphérique; des forces latérales appliquées à ces disques peuvent les briser.
- ▶ **Toujours utiliser des flasques de disque non endommagés d'un diamètre adapté au disque choisi.** Les flasques de disque adaptés supportent le disque et réduisent ainsi l'éventualité d'une rupture de celui-ci.
- ▶ **Le diamètre extérieur et l'épaisseur de votre accessoire doivent se situer dans les limites des caractéristiques assignées de votre outil électrique.** Des accessoires de dimension inappropriée ne peuvent pas être protégés ni contrôlés de manière adaptée.
- ▶ **L'alésage des disques et des flasques doit être adapté à l'arbre de l'outil électrique.** Les disques et les flasques dont les alésages ne sont pas adaptés au matériel de montage de l'outil électrique vont se déséquilibrer, vibrer de manière excessive et peuvent être à l'origine d'une perte de contrôle.
- ▶ **Ne pas utiliser de disques endommagés. Avant chaque utilisation, vérifier l'absence de fissures et d'éclats sur les disques. En cas de chute d'un outil électrique ou d'un disque, vérifier l'absence de dommages ou installer un disque non endommagé. Après examen et installation du disque, se placer soi-même ainsi que les personnes présentes à distance du plan du disque**

rotatif et faire fonctionner l'outil électrique à vide à la vitesse maximale pendant une minute. Les disques endommagés vont normalement se casser durant cette période d'essai.

- ▶ **Porter un équipement de protection individuelle. En fonction de l'application, utiliser un écran facial, des lunettes de protection ou des lunettes de sécurité. Lorsque cela est approprié, porter un masque anti-poussière, des protections auditives, des gants et un tablier capable d'arrêter de petits fragments d'abrasif ou de pièce.** La protection oculaire doit pouvoir arrêter les débris expulsés au cours des diverses opérations. Le masque anti-poussière ou le masque respiratoire doit pouvoir filtrer les particules générées par votre opération. Une exposition prolongée à un bruit de forte intensité peut être à l'origine d'une perte d'acuité auditive.
- ▶ **Maintenir les personnes présentes à une distance de la zone de travail garantissant leur sécurité. Toute personne pénétrant dans la zone de travail doit porter un équipement de protection individuelle.** Des fragments de pièce ou d'un disque cassé peuvent être expulsés et causer une blessure au-delà de la zone d'opération immédiate.
- ▶ **Positionner le cordon à l'écart de l'accessoire rotatif.** En cas de perte de contrôle, le cordon peut être coupé ou accroché, entraînant votre main ou votre bras dans le disque rotatif.
- ▶ **Nettoyer régulièrement les fentes d'aération de l'outil électrique.** Le ventilateur du moteur peut attirer la poussière à l'intérieur du boîtier et une accumulation excessive de métal fritté peut provoquer des dangers électriques.
- ▶ **Ne pas faire fonctionner l'outil électrique à proximité de matériaux inflammables.** Les étincelles pourraient enflammer ces matériaux.
- ▶ **Ne pas faire fonctionner l'outil électrique à proximité de matériaux inflammables.** Les étincelles pourraient enflammer ces matériaux.

Avertissements relatifs au rebond et avertissements analogues

Le rebond est une réaction soudaine d'un disque rotatif pincé ou accroché. Le pincement ou l'accrochage provoque un décrochage rapide du disque rotatif qui à son tour entraîne un mouvement de l'**unité de coupe** incontrôlée vers le haut en direction de l'opérateur.

Par exemple, si un disque abrasif est pincé ou accroché par la pièce, le bord du disque qui entre dans le point de pincement peut s'enfoncer dans la surface du matériau et amener le disque à sortir de la pièce ou à rebondir. Les disques abrasifs peuvent également se casser dans ces conditions.

Le rebond est le résultat d'une utilisation inadéquate de l'outil électrique et/ou de procédures ou de conditions de fonctionnement incorrectes; il peut être évité par la prise de précautions appropriées, telles qu'indiquées ci-dessous.

- ▶ **Maintenir solidement l'outil électrique et positionner votre corps et votre bras de manière à pouvoir résister aux forces de rebond.** L'opérateur peut contrôler les

forces de rebond dirigées vers le haut si des précautions appropriées sont prises.

- ▶ **Ne pas positionner votre corps dans l'alignement du disque rotatif.** Si un rebond se produit, il propulsera l'unité de coupe vers le haut en direction de l'opérateur.
- ▶ **Ne pas monter de chaîne coupante, de lame à ciseler, de disque diamant segmenté avec une rainure périphérique supérieure à 10 mm ou de lame de scie dentée.** Ces lames sont souvent à l'origine de rebonds et de pertes de contrôle.
- ▶ **Ne pas "bloquer" le disque ou lui appliquer une pression excessive. Ne pas tenter de réaliser une découpe trop profonde.** Une surcharge du disque augmente la charge et la susceptibilité de torsion ou de blocage du disque à l'intérieur de la coupe et la possibilité de rebond ou de cassure du disque.
- ▶ **Lorsque le disque se coince ou si l'on interrompt une coupe pour une raison quelconque, couper l'alimentation de l'outil électrique et tenir l'unité de coupe sans bouger jusqu'à l'arrêt complet du disque. Ne jamais essayer de sortir le disque de la coupe tant que celui-ci est en mouvement, sinon il peut se produire un phénomène de rebond.** Examiner la situation et corriger de manière à éliminer la cause du blocage du disque.
- ▶ **Ne pas redémarrer l'opération de découpage dans la pièce. Laisser le disque atteindre sa pleine vitesse et le replacer avec précaution dans la coupe.** Le disque peut se coincer, se rapprocher ou provoquer un rebond si l'outil électrique est redémarré lorsqu'il se trouve dans la pièce.
- ▶ **Soutenir toute pièce surdimensionnée pour réduire le risque de pincement et de rebond du disque.** Les pièces de grande dimension ont tendance à fléchir sous l'effet de leur propre poids. Des supports doivent être placés sous la pièce près de la ligne de coupe et du bord de la pièce des deux côtés du disque.

Consignes de sécurité additionnelles

- ▶ **Rangez l'outil électroportatif dans un endroit sûr et approprié. Le local de rangement doit être sec et verrouillable à clé.** Ceci, afin de prévenir tout endommagement de l'outil électroportatif pendant son stockage ou son utilisation par des personnes non initiées.
- ▶ **Toujours bien serrer la pièce à travailler. N'utilisez pas l'outil électroportatif pour tronçonner des pièces qui sont trop petites pour être serrées correctement.** La distance entre votre main et le disque à tronçonner en rotation serait, dans un tel cas, trop petite.
- ▶ **Examinez le câble régulièrement et ne confiez la réparation d'un câble endommagé qu'à un centre de service après-vente agréé pour outillage électroportatif Bosch. Remplacez aussitôt toute rallonge endommagée.** Ceci est indispensable pour préserver la sécurité de fonctionnement de l'outil électroportatif.
- ▶ **Ne montez jamais avec les pieds sur l'outil électroportatif.** Des blessures graves risqueraient de se produire si

l'outil électroportatif se renverse ou en cas de contact accidentel avec la lame.

- ▶ **Utilisez toujours le capot de protection.** Le capot de protection protège l'utilisateur contre des parties de disques à tronçonner qui pourraient se rompre et aussi pour éviter un contact accidentel avec ce même disque à tronçonner.
- ▶ **Après avoir arrêté l'outil électroportatif, ne freinez pas le disque à tronçonner en exerçant une pression latérale.** Ceci pourrait endommager le disque à tronçonner, le casser ou provoquer un rebond.
- ▶ **Ne quittez jamais l'outil avant son immobilisation totale.** Les accessoires de travail qui continuent de tourner ou qui ne sont pas encore à l'arrêt total peuvent causer des blessures.

Symboles

Les symboles suivants peuvent être importants pour l'utilisation de votre outil électroportatif. Veuillez mémoriser les symboles et leur signification. L'interprétation correcte des symboles vous permettra de mieux utiliser votre outil électroportatif et en toute sécurité.

Pictogrammes et leur signification

	Portez toujours des lunettes de protection.
	Portez une protection auditive. L'exposition aux bruits peut provoquer une perte de l'audition.
	Portez un masque à poussière.
	Gardez les mains hors de la zone de tronçonnage pendant que l'outil électroportatif tourne. Il y a risque de blessure grave en cas de contact avec le disque à tronçonner.
	Portez des gants de protection. Les disques à tronçonner sont tranchants et s'échauffent fortement pendant leur utilisation.

Description des prestations et du produit



Lisez attentivement toutes les instructions et consignes de sécurité. Le non-respect des instructions et consignes de sécurité peut provoquer un choc électrique, un incendie et/ou entraîner de graves blessures.

Référez-vous aux illustrations qui se trouvent à l'avant de la notice d'utilisation.

Utilisation conforme

L'outil électroportatif est conçu, en tant qu'outil stationnaire, pour effectuer à l'aide de disques à tronçonner des coupes longitudinales et transversales droites et des coupes d'onglets jusqu'à 45° dans les métaux, sans utiliser d'eau. Il n'est pas permis d'utiliser des disques à tronçonner diamantés.

Éléments constitutifs

La numérotation des éléments de l'appareil se réfère à la représentation de l'outil électroportatif sur la page graphique.

- (1) Verrouillage d'enclenchement de l'interrupteur Marche/Arrêt
- (2) Interrupteur Marche/Arrêt
- (3) Poignée
- (4) Capot de protection à mouvement pendulaire
- (5) Blocage de broche
- (6) Disque à tronçonner
- (7) Butée angulaire
- (8) Tige de blocage
- (9) Déverrouillage rapide
- (10) Poignée de broche
- (11) Orifices de fixation
- (12) Clé mâle pour vis à six pans creux (8 mm)
- (13) Plaque de base
- (14) Mors de serrage
- (15) Tablette d'appui pour pièces de section maxi 40 x 40 mm
- (16) Vis de serrage pour butée angulaire
- (17) Sécurité de transport
- (18) Bras de l'outil
- (19) Poignée de transport
- (20) Capot de protection
- (21) Tôle de protection anti-étincelles
- (22) Broche porte-outil
- (23) Flasque de serrage
- (24) Rondelle
- (25) Vis à tête hexagonale

Caractéristiques techniques

Tronçonneuse	GCO 14-24 J	
Référence	3 601 M37 2..	
Puissance absorbée nominale	W	2400
Régime à vide	min ⁻¹	3800
Démarrage progressif		●
Poids selon EPTA-Procédure 01:2014	kg	18,0
Indice de protection		□/

Dimensions de pièce (minimales/maximales) admissibles : Dimensions admissibles des pièces

Les données indiquées sont valables pour une tension nominale [U] de 230 V. Elles peuvent varier lorsque la tension diffère de cette valeur et sur certaines versions destinées à certains pays.

Dimensions des disques à tronçonner appropriés

Diamètre maxi des disques à tronçonner	mm	355
Épaisseur de disque maxi	mm	3
Diamètre de l'alésage	mm	25,4

Montage

► **Évitez un démarrage accidentel de l'outil électroportatif. Pendant le montage et lors de travaux sur l'outil électroportatif, la fiche de secteur ne doit pas être connectée à l'alimentation en courant.**

Accessoires fournis

Sortez avec précaution de l'emballage toutes les pièces fournies.

Retirez intégralement le matériau d'emballage qui enveloppe l'outil électroportatif et les accessoires fournis.

Avant la première mise en service de l'outil électroportatif, vérifiez qu'il ne manque aucune des pièces indiquées ci-dessous :

- Tronçonneuse avec disque à tronçonner monté
- Clé mâle pour vis à six pans creux (12)

Remarque : Assurez-vous que l'outil électroportatif n'est pas endommagé.

Avant d'utiliser l'outil électroportatif, assurez-vous que les dispositifs de protection ou pièces légèrement endommagées peuvent bien remplir leur fonction. Contrôlez si les pièces mobiles fonctionnent correctement sans coincer et assurez-vous qu'aucune pièce n'est endommagée. Pour garantir un fonctionnement correct, toutes les pièces doivent être correctement montées et en parfait état.

Faites réparer ou remplacer les dispositifs de protection et pièces endommagés dans un centre de service après-vente agréé.

Montage stationnaire ou flexible

- **Pour pouvoir être utilisé en toute sécurité, l'outil électroportatif doit être installé sur une surface de travail plane et stable (par ex. un établi) avant son utilisation.**

Montage sur un plan de travail (voir figure A)

- À l'aide de vis appropriées, fixez l'outil électroportatif sur le plan de travail. Introduisez pour cela les vis dans les alésages (11).

Installation flexible (pas conseillé !)

S'il devait s'avérer impossible de monter l'outil électroportatif de manière fixe sur un plan de travail, il est permis de poser provisoirement les pieds de la plaque de base (13) sur un support approprié (p. ex. établi, sol plan etc.) sans serrer l'outil électroportatif.

Changement de disque à tronçonner (voir figures B1 – B2)

- **Débranchez le câble d'alimentation de la prise avant d'effectuer des travaux quels qu'il soient sur l'outil électroportatif.**
- **N'actionnez le blocage de broche (5) que lorsque la broche porte-outil (22) est à l'arrêt.** L'outil électroportatif risque sinon d'être endommagé.
- **Ne touchez pas le disque à tronçonner avant qu'il ne se soit refroidi.** Le disque à tronçonner devient très chaud pendant son utilisation.

N'utilisez que des disques à tronçonner qui correspondent aux caractéristiques techniques de la présente notice d'utilisation et qui sont conformes à la norme EN 12413 et marqués en conséquence.

Utilisez les intercalaires éventuellement fournis avec le disque à tronçonner.

Stockez les disques à tronçonner non utilisés dans un conteneur fermé ou dans leur emballage d'origine. Stockez les disques à tronçonner à plat.

Retrait du disque à tronçonner

- Placez l'outil électroportatif dans la position de travail.
- Faites pivoter le capot de protection à mouvement pendulaire (4) à fond vers l'arrière.
- Tournez la vis à tête hexagonale (25) avec la clé mâle pour vis à six pans creux fournie (12) tout en actionnant le blocage de broche (5) jusqu'à ce qu'il s'enclenche.
- Maintenez appuyé le blocage de broche et dévissez la vis à tête hexagonale (25).
- Retirez la rondelle (24) et le flasque de serrage (23).
- Retirez le disque à tronçonner (6).

Montage du disque à tronçonner

Si nécessaire, nettoyez préalablement toutes les pièces à monter.

- Placez le nouveau disque à tronçonner sur la broche porte-outil (22) en veillant à ce que l'autocollant se trouve du côté opposé du bras de l'outil.

- Montez le flasque de serrage (23), la rondelle (24) et la vis à tête hexagonale (25). Appuyez sur le blocage de broche (5) jusqu'à ce qu'il s'enclenche et resserrez la vis à tête hexagonale (25) dans le sens horaire. (couple de serrage env. 18–20 Nm)
- Faites redescendre lentement le capot de protection pendulaire (4) jusqu'à ce que le disque à tronçonner soit recouvert.
- Assurez-vous que le capot de protection pendulaire (4) fonctionne correctement.

Après avoir monté le disque à tronçonner et avant de procéder à la mise en marche, contrôlez si le disque à tronçonner est correctement monté et s'il peut tourner librement.

- Assurez-vous que le disque à tronçonner ne touche ni le capot de protection pendulaire (4), ni le capot de protection fixe (20) ni d'autres parties de l'outil.
- Faites fonctionner l'outil électroportatif pendant 30 secondes environ.
En cas de vibrations importantes, arrêtez l'outil électroportatif immédiatement ; démontez et remontez le disque à tronçonner à nouveau.

Utilisation

- **Débranchez le câble d'alimentation de la prise avant d'effectuer des travaux quels qu'il soient sur l'outil électroportatif.**

Sécurité de transport (voir figure C)

La sécurité de transport (17) facilite le maniement de l'outil électroportatif lors du transport vers différents lieux d'utilisation.

Débloccage de l'outil électroportatif (mise en position de travail)

- Poussez la poignée (3) du bras d'outil légèrement vers le bas afin de délester la sécurité de transport (17).
- Tirez la sécurité de transport (17) complètement vers l'extérieur.
- Déplacez le bras d'outil lentement vers le haut.

Remarque : Lors de l'utilisation de l'outil, veillez à ce que la protection de transport ne soit pas enfoncée car il est alors impossible de basculer le bras de l'outil jusqu'à la profondeur souhaitée.

Blocage de l'outil électroportatif (mise en position de transport)

- Abaissez le bras de l'outil jusqu'à ce que la sécurité de transport (17) puisse être enfoncée complètement.

Autres indications sur le transport : (voir « Transport », Page 19).

Réglage d'angles d'onglet (voir figure D)

Il est possible de régler des angles d'onglet de 0° à 45°. Les valeurs de réglage importantes sont repérées par des marquages sur la butée angulaire (7). Les positions 0° et 45° sont données par des butées.

- Desserrez les vis de serrage (16) de la butée angulaire avec la clé mâle pour vis à six pans creux (12) fournie (8 mm).
- Réglez l'angle souhaité et resserrez les deux vis de serrage (16).

Déplacement de la butée angulaire (voir figures D – E)

Il est possible de déplacer la butée angulaire (7) vers l'arrière pour tronçonner des pièces d'une largeur supérieure à 140 mm.

- Dévissez complètement les vis de serrage (16) avec la clé mâle pour vis à six pans creux (12) fournie (8 mm).
- Déplacez la butée angulaire (7) à la distance souhaitée d'un ou de deux trous vers l'arrière.
- Réglez l'angle souhaité et resserrez les deux vis de serrage (16).

Fixation de la pièce

Pour travailler en toute sécurité, prenez soin de toujours bien serrer la pièce.

N'utilisez pas l'outil électroportatif pour tronçonner des pièces qui sont trop petites pour être serrées correctement.

Fixation de la pièce (voir figure E)

- Positionnez la pièce contre la butée angulaire (7).
- Approchez la tige de blocage (8) de la pièce et serrez la pièce au moyen de la poignée de broche (10).

Fixation d'une pièce (section maxi 40 x 40 mm) sur la tablette d'appui (voir figures F – H)

- Réglez la butée angulaire (7) sur l'angle d'onglet standard 0°.
- Soulevez légèrement la tablette d'appui (15) et glissez-la dans la fente de la butée angulaire.
- Crochetez la tablette dans l'ouverture du mors de serrage (14).
- Positionnez la pièce sur la tablette d'appui (15).
- Approchez la tige de blocage (8) de la pièce et serrez la pièce au moyen de la poignée de broche (10).

► **Assurez-vous que la tablette d'appui est correctement fixée au mors de serrage et qu'elle ne risque pas de basculer lorsque vous posez la pièce.**

► **Assurez-vous que la hauteur de la pièce sur la tablette d'appui n'excède pas 40 mm. Il n'est pas possible de serrer correctement des pièces plus hautes.**

► **Après avoir terminé le travail, repoussez complètement la tablette d'appui dans la butée angulaire. Si le crochet dépasse, il n'est pas possible de serrer correctement une pièce.**

Retrait d'une pièce

- Desserrez la poignée de broche (10).
- Relevez le déverrouillage rapide (9) et dégagez la tige de blocage (8) de la pièce.

Mise en marche

► **Tenez compte de la tension du réseau !** La tension du réseau électrique doit correspondre aux indications se trouvant sur la plaque signalétique du chargeur. Les chargeurs marqués 230 V peuvent également fonctionner sous 220 V.

► **Vérifiez l'état du disque à tronçonner avant chaque utilisation. Le disque à tronçonner doit être correctement monté et il doit pouvoir tourner librement. Effectuez une marche d'essai en laissant tourner l'outil à vide pendant au moins 30 secondes. N'utilisez en aucun cas des disques à tronçonner endommagés, déséquilibrés ou générant des vibrations.** Les disques à tronçonner endommagés peuvent se rompre lors du travail et provoquer ainsi de graves blessures.

Les poussières de matériaux, tels que peintures contenant du plomb, matières minérales et métaux, peuvent être nuisibles à la santé. Le contact avec les poussières ou leur inhalation peut entraîner des réactions allergiques et/ou des maladies respiratoires auprès de l'utilisateur ou des personnes se trouvant à proximité.

Certaines poussières métalliques sont considérées cancérigènes, surtout en association avec des alliages de zinc, aluminium, chrome etc. Les matériaux contenant de l'amiante ne doivent être travaillés que par des personnes qualifiées.

- Veillez à bien aérer la zone de travail.
- Il est recommandé de porter un masque respiratoire conforme à la classe de filtration P2.

Respectez la réglementation relative aux matériaux à travailler en vigueur dans votre pays.

Le disque à tronçonner peut être bloqué par de la poussière, des copeaux ou des fragments de pièce qui viennent se loger dans la rainure de la plaque de base (13).

- Arrêtez l'outil électroportatif et débranchez le câble d'alimentation de la prise secteur.
- Attendez l'arrêt total du disque à tronçonner.
- Inclinez l'outil électroportatif vers l'arrière pour faire sortir les petits fragments de pièce par l'ouverture prévue. Si nécessaire, utilisez un outil approprié pour retirer tous les fragments de pièce.

► **Évitez toute accumulation de poussières sur le lieu de travail.** Les poussières peuvent facilement s'enflammer.

Position de l'utilisateur

► **Ne vous placez jamais devant l'outil électroportatif, dans le prolongement du disque à tronçonner, mais toujours latéralement par rapport au disque.** En cas de cassure du disque, votre corps est ainsi mieux protégé contre les éclats éventuels.

Mise en marche / arrêt (voir figure I)

- Pour **mettre en marche** l'outil électroportatif, actionnez d'abord le verrouillage d'enclenchement (1). Appuyez ensuite sur l'interrupteur Marche/Arrêt (2) et maintenez-le enfoncé.

Remarque : Pour des raisons de sécurité, il n'est pas possible de verrouiller l'interrupteur Marche/Arrêt (2). Il faut le

maintenir constamment enfoncé pendant l'utilisation de l'outil électroportatif.

- Pour **arrêter** l'outil électroportatif, relâchez l'interrupteur Marche/Arrêt (2).

Démarrage progressif

La fonction démarrage progressif limite le couple lors de la mise en marche et augmente la durée de vie du moteur.

Instructions d'utilisation

Instructions générales pour le tronçonnage

- ▶ **Ne touchez pas le disque à tronçonner avant qu'il ne se soit refroidi.** Le disque à tronçonner devient très chaud pendant leur utilisation.
- ▶ **Assurez-vous que la tôle de protection anti-étincelles (21) est correctement montée.** Le meulage et le tronçonnage de métaux génèrent des étincelles.

Protégez le disque à tronçonner contre les chocs, les coups et la graisse. N'exposez pas le disque à tronçonner à une pression latérale.


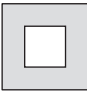
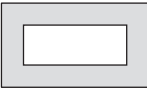

Ne provoquez pas l'arrêt de l'outil électroportatif en exerçant une pression trop forte.

Une avance trop rapide réduit fortement les performances de l'outil électroportatif et conduit à une usure plus rapide du disque à tronçonner.

N'utilisez que des disques à tronçonner appropriés au matériau à travailler.

Dimensions admissibles des pièces

Dimensions **maximales** des pièces :

Forme de la pièce	Angle d'onglet (plan horizontal)	
	0°	45°
	Ø 129	Ø 128
	119 x 119	110 x 110
	100 x 196	107 x 115
	130 x 130	115 x 115

Dimensions **minimales** des pièces

(= toutes les pièces qui peuvent encore être serrées au moyen de la tige de blocage (8)) : longueur 80 mm

Profondeur de coupe maximale (0° / 0°) : 129 mm

Tronçonnage du métal

- Si besoin, réglez l'angle d'onglet souhaité.
- Serrez la pièce comme l'exigent ses dimensions.
- Mettez l'outil électroportatif en marche.

- A l'aide de la poignée (3), déplacez lentement le bras d'outil vers le bas.
- Tronçonner la pièce avec une avance régulière.
- Arrêtez l'outil électroportatif et attendez l'arrêt complet du disque à tronçonner.
- Déplacez le bras d'outil lentement vers le haut.

Transport

- Portez toujours l'outil électroportatif par la poignée de transport (19).
- ▶ **Pour transporter l'outil électroportatif, n'utilisez que les dispositifs de transport et jamais les dispositifs de protection.**

Entretien et Service après-vente

Nettoyage et entretien

- ▶ **Débranchez le câble d'alimentation de la prise avant d'effectuer des travaux quels qu'il soient sur l'outil électroportatif.**
- ▶ **Tenez toujours propres l'outil électroportatif ainsi que les fentes de ventilation afin d'obtenir un travail impeccable et sûr.**

Dans le cas où il s'avère nécessaire de remplacer le câble d'alimentation, confiez le remplacement à **Bosch** ou une station de Service Après-Vente agréée pour outillage **Bosch** afin de ne pas compromettre la sécurité.

- ▶ **Nettoyez régulièrement les ouïes d'aération de l'outil électroportatif.** Le ventilateur du moteur attire la poussière à l'intérieur du carter et une accumulation excessive de poussière de métal accroît le risque de choc électrique.
- ▶ **Dans la mesure du possible, utilisez toujours un dispositif d'aspiration quand les conditions de travail sont extrêmes. Soufflez fréquemment de l'air comprimé au travers des fentes de ventilation et placez un disjoncteur différentiel (PRCD) en amont.** Lors du travail des métaux, il est possible que des poussières métalliques à effet conducteur se déposent à l'intérieur de l'outil. La double isolation de l'outil électroportatif risque alors d'être endommagée.
- ▶ **Confiez tous les travaux de réparation et d'entretien à des personnes qualifiées.** Ceci permet de préserver la sécurité d'utilisation de l'outil électroportatif.

Le capot de protection à mouvement pendulaire doit toujours pouvoir bouger librement et fermer automatiquement. Veillez pour cela à ce que le pourtour du capot de protection à mouvement pendulaire reste propre.

Accessoires

	Référence
Disques à tronçonner pour métaux	
Disque à tronçonner 355 x 25,4 mm	2 608 600 208

RéférenceDisque à tronçonner
355 x 25,4 mm

2 608 600 223

Service après-vente et conseil utilisateurs

Notre Service après-vente répond à vos questions concernant la réparation et l'entretien de votre produit et les pièces de rechange. Vous trouverez des vues éclatées et des informations sur les pièces de rechange sur le site :

www.bosch-pt.com

L'équipe de conseil utilisateurs Bosch se tient à votre disposition pour répondre à vos questions concernant nos produits et leurs accessoires.

Pour toute demande de renseignement ou toute commande de pièces de rechange, précisez impérativement la référence à 10 chiffres figurant sur l'étiquette signalétique du produit.

Maroc

Robert Bosch Morocco SARL
53, Rue Lieutenant Mahroud Mohamed
20300 Casablanca
Tel.: +212 5 29 31 43 27
E-Mail : sav.outillage@ma.bosch.com

Vous trouverez d'autres adresses du service après-vente sous :www.bosch-pt.com/serviceaddresses**Élimination des déchets**

Les outils électroportatifs, ainsi que leurs accessoires et emballages, doivent pouvoir suivre chacun une voie de recyclage appropriée.



Ne jetez pas les outils électroportatifs avec les ordures ménagères !

Português**Instruções de segurança****Indicações gerais de advertência para ferramentas elétricas****AVISO**

Devem ser lidas todas as indicações de segurança,

instruções, ilustrações e especificações desta ferramenta eléctrica. O desrespeito das instruções apresentadas abaixo poderá resultar em choque eléctrico, incêndio e/ou ferimentos graves.

Guarde bem todas as advertências e instruções para futura referência.

O termo "ferramenta eléctrica" utilizado a seguir nas indicações de advertência, refere-se a ferramentas eléctricas operadas com corrente de rede (com cabo de

rede) e a ferramentas eléctricas operadas com acumulador (sem cabo de rede).

Segurança da área de trabalho

- ▶ **Mantenha a sua área de trabalho sempre limpa e bem iluminada.** Desordem ou áreas de trabalho insuficientemente iluminadas podem levar a acidentes.
- ▶ **Não trabalhar com a ferramenta eléctrica em áreas com risco de explosão, nas quais se encontrem líquidos, gases ou pós inflamáveis.** Ferramentas eléctricas produzem faíscas, que podem inflamar pós ou vapores.
- ▶ **Manter crianças e outras pessoas afastadas da ferramenta eléctrica durante a utilização.** No caso de distração é possível que perca o controlo sobre o aparelho.

Segurança eléctrica

- ▶ **A ficha de conexão da ferramenta eléctrica deve caber na tomada. A ficha não deve ser modificada de maneira alguma. Não utilizar uma ficha de adaptação junto com ferramentas eléctricas protegidas por ligação à terra.** Fichas não modificadas e tomadas apropriadas reduzem o risco de um choque eléctrico.
- ▶ **Evitar que o corpo possa entrar em contacto com superfícies ligadas à terra, como tubos, aquecimentos, fogões e frigoríficos.** Há um risco elevado devido a choque eléctrico, se o corpo estiver ligado à terra.
- ▶ **Manter o aparelho afastado de chuva ou humidade.** A infiltração de água numa ferramenta eléctrica aumenta o risco de choque eléctrico.
- ▶ **Não deverá utilizar o cabo para outras finalidades. Nunca utilizar o cabo para transportar a ferramenta eléctrica, para pendurá-la, nem para puxar a ficha da tomada. Manter o cabo afastado do calor, do óleo, de arestas afiadas ou de peças em movimento.** Cabos danificados ou emaranhados aumentam o risco de um choque eléctrico.
- ▶ **Se trabalhar com uma ferramenta eléctrica ao ar livre, só deverá utilizar cabos de extensão apropriados para áreas exteriores.** A utilização de um cabo de extensão apropriado para áreas exteriores reduz o risco de um choque eléctrico.
- ▶ **Se não for possível evitar o funcionamento da ferramenta eléctrica em áreas húmidas, deverá ser utilizado um disjuntor de corrente de avaria.** A utilização de um disjuntor de corrente de avaria reduz o risco de um choque eléctrico.

Segurança de pessoas

- ▶ **Esteja atento, observe o que está a fazer e tenha prudência ao trabalhar com a ferramenta eléctrica. Não utilizar uma ferramenta eléctrica quando estiver fatigado ou sob a influência de drogas, álcool ou medicamentos.** Um momento de descuido ao utilizar a ferramenta eléctrica, pode levar a lesões graves.

- ▶ **Utilizar equipamento de protecção individual. Utilizar sempre óculos de protecção.** A utilização de equipamento de protecção pessoal, como máscara de protecção contra pó, sapatos de segurança antiderrapantes, capacete de segurança ou protecção auricular, de acordo com o tipo e aplicação da ferramenta eléctrica, reduz o risco de lesões.
- ▶ **Evitar uma colocação em funcionamento involuntária. Assegure-se de que a ferramenta eléctrica esteja desligada, antes de conectá-la à alimentação de rede e/ou ao acumulador, antes de levantá-la ou de transportá-la.** Se tiver o dedo no interruptor ao transportar a ferramenta eléctrica ou se o aparelho for conectado à alimentação de rede enquanto estiver ligado, poderão ocorrer acidentes.
- ▶ **Remover ferramentas de ajuste ou chaves de boca antes de ligar a ferramenta eléctrica.** Uma ferramenta ou chave que se encontre numa parte do aparelho em movimento pode levar a lesões.
- ▶ **Evite uma posição anormal. Mantenha uma posição firme e mantenha sempre o equilíbrio.** Desta forma é mais fácil controlar a ferramenta eléctrica em situações inesperadas.
- ▶ **Usar roupa apropriada. Não usar roupa larga nem jóias. Mantenha os cabelos e roupas afastados de peças em movimento.** Roupas frouxas, cabelos longos ou jóias podem ser agarrados por peças em movimento.
- ▶ **Se for possível montar dispositivos de aspiração ou de recolha, assegure-se de que estejam conectados e utilizados correctamente.** A utilização de uma aspiração de pó pode reduzir o perigo devido ao pó.
- ▶ **Não deixe que a familiaridade resultante de uma utilização frequente de ferramentas permita que você se torne complacente e ignore os princípios de segurança da ferramenta.** Uma acção descuidada pode causar ferimentos graves numa fracção de segundo.

Utilização e manuseio cuidadoso de ferramentas eléctricas

- ▶ **Não sobrecarregue a ferramenta eléctrica. Utilize a ferramenta eléctrica apropriada para o seu trabalho.** É melhor e mais seguro trabalhar com a ferramenta eléctrica apropriada na área de potência indicada.
- ▶ **Não utilizar uma ferramenta eléctrica com um interruptor defeituoso.** Uma ferramenta eléctrica que não pode mais ser ligada nem desligada, é perigosa e deve ser reparada.
- ▶ **Puxar a ficha da tomada e/ou remover o acumulador, se amovível, antes de executar ajustes na ferramenta eléctrica, de substituir acessórios ou de guardar as ferramentas eléctricas.** Esta medida de segurança evita o arranque involuntário da ferramenta eléctrica.
- ▶ **Guardar ferramentas eléctricas não utilizadas fora do alcance de crianças e não permitir que as pessoas que não estejam familiarizadas com o aparelho ou que não tenham lido estas instruções utilizem o aparelho.**

Ferramentas eléctricas são perigosas se forem utilizadas por pessoas inexperientes.

- ▶ **Tratar a ferramenta eléctrica e os acessórios com cuidado. Controlar se as partes móveis do aparelho funcionam perfeitamente e não emperram, e se há peças quebradas ou danificadas que possam prejudicar o funcionamento da ferramenta eléctrica. Permitir que peças danificadas sejam reparadas antes da utilização.** Muitos acidentes têm como causa, a manutenção insuficiente de ferramentas eléctricas.
- ▶ **Manter as ferramentas de corte afiadas e limpas.** Ferramentas de corte cuidadosamente tratadas e com cantos de corte afiados emperram com menos frequência e podem ser conduzidas com maior facilidade.
- ▶ **Utilizar a ferramenta eléctrica, acessórios, ferramentas de aplicação, etc. conforme estas instruções. Considerar as condições de trabalho e a tarefa a ser executada.** A utilização de ferramentas eléctricas para outras tarefas a não ser as aplicações previstas, pode levar a situações perigosas.
- ▶ **Mantenha os punhos e as superfícies de agarrar secas, limpas e livres de óleo e massa consistente.** Punhos e superfícies de agarrar escorregadias não permitem o manuseio e controle seguros da ferramenta em situações inesperadas.

Serviço

- ▶ **Só permita que o seu aparelho seja reparado por pessoal especializado e qualificado e só com peças de reposição originais.** Desta forma é assegurado o funcionamento seguro do aparelho.

Indicações de segurança da máquina de corte

- ▶ **Proteja-se a si e às outras pessoas do plano do disco rotativo.** A protecção ajuda a proteger o utilizador dos fragmentos de discos partidos e do contacto accidental com o disco.
- ▶ **Utilize exclusivamente discos de corte reforçados ligados na sua ferramenta eléctrica.** Mesmo que seja possível adaptar um acessório à sua ferramenta eléctrica, isso não constitui uma garantia de utilização segura.
- ▶ **A velocidade nominal do acessório deve ser, no mínimo, igual à velocidade máxima indicada na ferramenta eléctrica.** Os acessórios que forem utilizados a uma velocidade superior aquela para a qual foram concebidos poderão desintegrar-se e projetar fragmentos.
- ▶ **Os discos devem ser utilizados exclusivamente nas aplicações recomendadas. Por exemplo: não lixe com a parte lateral do disco de corte.** Os discos abrasivos de corte destinam-se a um desbaste periférico, a aplicação de forças laterais nestes discos poderá provocar a sua desintegração.
- ▶ **Utilize sempre flanges para discos intactas e de diâmetro adequado para o disco em questão.** As flanges adequadas proporcionam apoio ao disco e reduzem a possibilidade de quebras.

- ▶ **O diâmetro externo e a espessura do acessório devem ser compatíveis com a potência nominal da sua ferramenta elétrica.** Os acessórios com um tamanho incorreto não podem ser devidamente protegidos ou controlados.
- ▶ **O eixo dos discos e flanges deve adaptar-se corretamente ao veio da ferramenta elétrica.** Os discos e flanges com orifícios de instalação não compatíveis com o hardware de instalação da ferramenta elétrica irão funcionar de forma desequilibrada, vibrar excessivamente e poderão provocar a perda de controlo.
- ▶ **Não utilize discos danificados. Antes de cada utilização, inspecione os discos quanto a presença de lascas e fissuras. Se deixar cair a ferramenta elétrica ou o disco, verifique se há danos ou instale um disco intacto. Depois de inspecionar e instalar o disco, proteja-se a si e às outras pessoas do plano do disco rotativo e faça funcionar a ferramenta elétrica com o número máximo de rotações em vazio durante um minuto.** Normalmente, os discos danificados desintegram-se durante este período de teste.
- ▶ **Use equipamento de proteção individual. Dependendo da aplicação, use uma viseira ou óculos de proteção. Consoante o caso, use máscara de proteção contra pó, proteções auriculares, luvas e um avental de trabalho com capacidade para deter pequenos fragmentos abrasivos ou da peça de trabalho.** Os óculos de proteção devem proteger contra quaisquer detritos projetados durante as diversas operações. A máscara de proteção contra pó ou máscara respiratória devem ter capacidade para filtrar a partículas geradas durante o seu trabalho. A exposição prolongada a ruídos de elevada intensidade poderá causar perda de audição.
- ▶ **Mantenha as outras pessoas presentes no local a uma distância segura da área de trabalho. Qualquer pessoa que entre na área de trabalho tem de usar equipamento de proteção individual.** Os fragmentos de uma peça de trabalho ou de um disco partido podem ser projetados e provocar ferimentos fora da área de trabalho imediata.
- ▶ **Afaste o cabo do acessório rotativo.** Na eventualidade de perder o controlo, o cabo pode ser cortado ou ficar preso e a sua mão ou braço podem ser puxados na direção do disco rotativo.
- ▶ **Limpe regularmente as aberturas de ventilação da ferramenta elétrica.** Caso contrário, o ventilador do motor pode aspirar o pó para o interior da carcaça e a acumulação excessiva de pós metálicos poderá provocar riscos de natureza elétrica.
- ▶ **Não utilize a ferramenta elétrica junto a materiais inflamáveis. Não utilize a ferramenta elétrica quando esta estiver colocada sobre uma superfície combustível, como seja a madeira.** As faíscas produzidas podem inflamar esses materiais.
- ▶ **Não utilize acessórios que necessitem de refrigerantes líquidos.** A utilização de água ou de outros

refrigerantes líquidos poderá resultar em eletrocussão ou choque elétrico.

Efeito de coice e indicações relacionadas

O efeito de coice é uma reação súbita a um disco rotativo entalado ou bloqueado. O entalamento ou bloqueio provoca uma paragem rápida do disco rotativo que, por sua vez, faz com que a **unidade de corte** descontrolada seja impelida para cima na direção do utilizador.

Por exemplo, se um disco abrasivo ficar bloqueado ou for entalado pela peça de trabalho, a extremidade do disco que estiver em contacto com o ponto de bloqueio pode penetrar a superfície do material, fazendo com que o disco suba ou salte. Os discos abrasivos também podem partir-se nestas condições.

O efeito de coice é o resultado de uma utilização abusiva e/ou condições ou procedimentos incorretos de utilização da ferramenta elétrica e pode ser evitado tomando as precauções indicadas abaixo.

- ▶ **Segure a ferramenta elétrica com firmeza e posicione o seu corpo e braço de forma a poder resistir ao efeito de coice.** O utilizador poderá controlar o efeito de coice ascendente caso tome as devidas precauções.
- ▶ **Não posicione o seu corpo em linha com o disco rotativo.** Se o efeito de coice ocorrer, este irá impulsionar a unidade de corte para cima na direção do utilizador.
- ▶ **Não instale uma corrente de serra, uma lâmina para esculpir madeira, um disco de diamante segmentado com uma folga periférica superior a 10 mm ou lâmina de serra dentada.** Tais lâminas provocam com frequência o efeito de coice e a perda de controlo.
- ▶ **Não encrave o disco nem aplique uma pressão excessiva. Não tente efetuar cortes com uma profundidade de corte excessiva.** A sobrecarga do disco aumenta a carga e a suscetibilidade de torcer ou bloquear o disco no corte e a possibilidade de ocorrer o efeito de coice ou a quebra do disco.
- ▶ **Quando o disco está a bloquear ou se interromper um corte por qualquer motivo, desligue a ferramenta elétrica e mantenha a unidade de corte imóvel até que o disco pare por completo. Nunca tente retirar o disco em rotação do corte, caso contrário, pode ocorrer o efeito de coice.** Investigue e tome as medidas necessárias para eliminar a causa do bloqueio do disco.
- ▶ **Não reinicie a operação de corte na peça de trabalho. Deixe o disco atingir a velocidade máxima e introduza-o cuidadosamente no corte.** O disco pode bloquear, subir ou ressaltar caso a ferramenta elétrica seja acionada com o disco introduzido na peça de trabalho.
- ▶ **Apoie qualquer peça de trabalho de grandes dimensões para reduzir o risco de entalamento e de efeito de coice.** As peças de trabalho de grandes dimensões tendem a abater sob o seu próprio peso. Coloque suportes sob a peça de trabalho junto à linha de corte e junto da extremidade da peça de trabalho, de ambos os lados do disco.

Instruções de segurança adicionais

- ▶ **Guarde a ferramenta elétrica que não está a usar de forma segura. Ela deve ser guardada num local seco e que possa ser trancado.** Assim evita-se que a ferramenta elétrica sofra danos devido ao armazenamento ou que seja operada por pessoas inexperientes.
- ▶ **A peça a ser trabalhada deve sempre ser fixa com firmeza. Não trabalhe peças que sejam demasiadamente pequenas para serem fixas.** Caso contrário, a distância entre a sua mão e o disco de corte em rotação não será suficiente.
- ▶ **Controlar o cabo em intervalos regulares e permitir que um cabo danificado seja reparado por um serviço pós-venda autorizado para ferramentas elétricas Bosch. Substituir cabos de extensão danificados.** Desta forma é assegurada a segurança da ferramenta elétrica.
- ▶ **Nunca se coloque em cima da ferramenta elétrica.** É possível que ocorram graves lesões se a ferramenta elétrica tombar ou se por acaso entrar em contacto com a lâmina de serra.
- ▶ **Use sempre a capa de proteção.** Uma capa de proteção protege o utilizador contra peças partidas do disco de corte e toque inadvertido do disco de corte.
- ▶ **Não trave o disco de corte através de pressão lateral após desligar o aparelho.** O disco de corte pode ser danificado, ser quebrado ou causar um contragolpe.
- ▶ **Nunca abandone a ferramenta sem a mesma ter parado por completo.** Ferramentas de trabalho em funcionamento de inércia podem causar lesões.

Símbolos

Os seguintes símbolos podem ser importantes para a utilização da sua ferramenta elétrica. Os símbolos e os seus significados devem ser memorizados. A interpretação correta dos símbolos facilita a utilização segura e aprimorada da ferramenta elétrica.

Símbolos e seus significados	
	Use óculos de proteção.
	Use proteção auditiva. Ruídos podem provocar a surdez.
	Use uma máscara de proteção contra pó.

Símbolos e seus significados



Manter as suas mãos afastadas da área de corte enquanto a ferramenta elétrica estiver em funcionamento. Há perigo de ferimentos se houver contacto com disco de corte.



Use luvas de proteção. Os discos de corte são muito afiados e aquecem muito durante o trabalho.

Descrição do produto e do serviço



Leia todas as instruções de segurança e instruções. A inobservância das instruções de segurança e das instruções pode causar choque elétrico, incêndio e/ou ferimentos graves.

Respeite as figuras na parte da frente do manual de instruções.

Utilização adequada

A ferramenta elétrica é destinada à utilização como aparelho estacionário, mediante discos de corte, para executar cortes longitudinais e transversais, com um traçado de corte reto e ângulo de meia-esquadria horizontal de até 45° em materiais metálicos, sem utilizar água.

A utilização de discos de corte de diamante não é permitida.

Componentes ilustrados

A numeração dos componentes ilustrados refere-se à apresentação da ferramenta elétrica na página de esquemas.

- (1) Bloqueio de ligação para o interruptor de ligar/desligar
- (2) Interruptor de ligar/desligar
- (3) Punho
- (4) Cobertura de proteção pendular
- (5) Bloqueio do veio
- (6) Disco de corte
- (7) Guia angular
- (8) Veio de travamento
- (9) Destravamento rápido
- (10) Punho do veio
- (11) Orifícios para montagem
- (12) Chave sextavada interior (8 mm)
- (13) Placa de base
- (14) Mordente de aperto
- (15) Apoio para peças com secção transversal máx. 40 x 40 mm
- (16) Parafuso de fixação para a guia angular
- (17) Proteção de transporte

- (18) Braço da ferramenta
- (19) Punho de transporte
- (20) Capa de proteção
- (21) Chapa de proteção contra faíscas
- (22) Veio da ferramenta
- (23) Flange de aperto
- (24) Anilha plana
- (25) Parafuso sextavado

Dados técnicos

Rebarbadora		GCO 14-24 J
Número de produto		3 601 M37 2..
Potência nominal absorvida	W	2400
N.º de rotações em vazio	r.p.m.	3800
Arranque suave		●
Peso conforme EPTA-Procedure 01:2014	kg	18,0
Classe de proteção		□ / II

Dimensões admissíveis da peça a ser trabalhada (máxima/mínima):
Dimensões admissíveis da peça a ser trabalhada

Os dados aplicam-se a uma tensão nominal [U] de 230 V. Com tensões divergentes e em versões específicas do país, estes dados podem variar.

Medidas de discos de corte apropriados		
Diâmetro máx. do disco de corte	mm	355
Espessura máx. do disco de corte	mm	3
Diâmetro do furo	mm	25,4

Montagem

- ▶ **Evitar um arranque involuntário da ferramenta elétrica. A ficha de rede não deve estar conectada à alimentação elétrica durante a montagem e durante todos trabalhos na ferramenta elétrica.**

Volume de fornecimento

Retire todas as peças fornecidas cuidadosamente das respetivas embalagens.

Remova todo o material de embalagem da ferramenta elétrica e dos acessórios fornecidos.

Antes de colocar a ferramenta elétrica em funcionamento pela primeira vez, deverá verificar se todas as peças especificadas abaixo foram fornecidas:

- Cortadora de metal com disco de corte montado
- Chave sextavada interior (12)

Nota: verifique se a ferramenta elétrica apresenta danos. Antes de continuar a utilizar a ferramenta elétrica, deverá controlar cuidadosamente todos os dispositivos de segurança e peças levemente danificadas e verificar se estão a funcionar corretamente. Verifique se as peças móveis

funcionam perfeitamente e não emperram, ou se há peças danificadas. Todas as peças devem ser montadas corretamente e corresponder a todas exigências, para que seja assegurado um funcionamento impecável. Dispositivos de segurança e peças danificadas devem ser devidamente reparados ou substituídos por uma oficina especializada.

Montagem estacionária ou flexível

- ▶ **Para assegurar um manuseio seguro, é necessário que, antes da utilização, a ferramenta elétrica seja montada sobre uma superfície de trabalho plana e estável (p. ex. bancada de trabalho).**

Montagem numa superfície de trabalho (ver figura A)

- Fixe a ferramenta elétrica à superfície de trabalho com uma união roscada apropriada. Os orifícios (11) servem para esse efeito.

Instalação flexível (não recomendada!)

Se, em casos excecionais, não for possível fixar a ferramenta elétrica a uma superfície de trabalho, pode colocar os pés da placa de base (13) provisoriamente sobre uma base apropriada para o efeito (p. ex. bancada de trabalho, soalho regular, etc.), sem aparafusar a ferramenta elétrica.

Trocar o disco de corte (ver figuras B1 – B2)

- ▶ **Antes de todos trabalhos na ferramenta elétrica deverá puxar a ficha de rede da tomada.**
- ▶ **Acione o bloqueio do veio (5) apenas com veio da ferramenta parado (22).** Caso contrário é possível que a ferramenta elétrica seja danificada.
- ▶ **Não toque no disco de serra após o trabalho, espere que este arrefeça.** O disco de corte torna-se extremamente quente durante o trabalho.

Utilize apenas discos de corte que correspondam aos dados característicos indicados neste manual de instrução e que sejam controlados conforme EN 12413 e respetivamente marcados.

Utilize com o disco de corte as bases de amortecimento eventualmente fornecidas.

Colocar os discos de corte, não utilizados, em um recipiente fechado ou na embalagem original. Armazenar os discos de corte deitados.

Desmontar discos de corte

- Coloque a ferramenta elétrica na posição de trabalho.
- Rode a cobertura de proteção pendular (4) para trás até ao batente.
- Rode o parafuso de sextavado (25) com a chave sextavada interior (12) fornecida e ao mesmo tempo prima o bloqueio do veio (5), até engatar.
- Mantenha o bloqueio do veio pressionado e desenrosque o parafuso sextavado (25) para fora.
- Retire a anilha plana (24) e o flange de aperto (23).
- Retire o disco de corte (6).

Montar o disco de corte

Se necessário, deverá limpar todas as partes antes de serem montadas.

- Coloque o novo disco de corte no veio da ferramenta (22), de forma a que o autocolante aponte no sentido oposto do braço da ferramenta.
- Coloque o flange de aperto (23), a anilha plana (24) e o parafuso sextavado (25). Pressione o bloqueio do veio (5) até este engatar e aperte novamente o parafuso sextavado (25) para a direita. (binário de aperto aprox. 18–20 Nm)
- Introduza a cobertura de proteção pendular (4) totalmente para baixo, até o disco de corte voltar a ficar totalmente tapado.
- Assegure-se de que a cobertura de proteção pendular (4) está a funcionar corretamente e pode ser movimentada livremente.

Após montar o disco de corte deverá controlar, antes de ligar a ferramenta elétrica, se o disco de corte está montado corretamente e se pode ser movimentado livremente.

- Certifique-se de que o disco de corte não roça na cobertura de proteção pendular (4), na capa de proteção parada (20) ou noutras peças.
- Coloque a ferramenta elétrica a funcionar durante aprox. 30 segundos.
- Se ocorrerem vibrações consideráveis, desligue de imediato a ferramenta elétrica e desmonte e volte a ligar o disco de corte.

Funcionamento

- ▶ **Antes de todos trabalhos na ferramenta elétrica deverá puxar a ficha de rede da tomada.**

Proteção de transporte (ver figura C)

A proteção de transporte (17) facilita o manuseamento da ferramenta elétrica durante o transporte para outros locais de utilização.

Desbloquear a ferramenta elétrica (posição de trabalho)

- Pressione o braço da ferramenta no punho (3) um pouco para baixo, para aliviar a proteção de transporte (17).
- Puxe a proteção de transporte (17) completamente para fora.
- Conduza lentamente o braço da ferramenta para cima.

Nota: Durante o trabalho, certifique-se de que a proteção de transporte não está pressionada para dentro, caso contrário, o braço da ferramenta não pode ser oscilado para a profundidade desejada.

Proteger a ferramenta elétrica (posição de transporte)

- Conduza o braço da ferramenta para baixo, até que seja possível pressionar a proteção de transporte (17) totalmente para dentro.

Outras indicações acerca do transporte (ver "Transporte", Página 27).

Ajustar o ângulo de meia-esquadria horizontal (ver figura D)

O ângulo de meia-esquadria horizontal pode ser ajustado numa faixa de 0° a 45°.

Os valores de ajuste importantes, estão assinalados pelas marcações correspondentes na guia angular (7). A posição de 0° e 45° é assegurada pelo respetivo batente final.

- Solte os parafusos de fixação (16) da guia angular com a chave sextavada interior (12) (8 mm).
- Ajuste o ângulo desejado e volte a apertar ambos os parafusos de fixação (16).

Deslocar a guia angular (ver figuras D-E)

Pode deslocar a guia angular (7) para trás, se quiser cortar peças com uma largura superior a 140 mm.

- Rode os parafusos de fixação (16) com a chave sextavada interior (12) (8 mm) totalmente para fora.
- Desloque a guia angular (7) na distância desejada em um ou dois furos para trás.
- Ajuste o ângulo desejado e volte a apertar ambos os parafusos de fixação (16).

Fixar a peça a ser trabalhada

A peça a ser trabalhada deverá ser sempre firmemente fixa, para assegurar uma segurança ideal de trabalho.

Não trabalhe em peças que sejam demasiadamente pequenas para serem fixas.

Fixar a peça a ser trabalhada (ver figura E)

- Encoste a peça à guia angular (7).
- Desloque o veio de travamento (8) para junto da peça e aperte a peça com a ajuda do punho do veio (10).

Fixe a peça (secção transversal máx. 40 x 40 mm) no apoio para peças (ver figuras F-H)

- Ajuste na guia angular (7) o ângulo de meia-esquadria padrão 0°.
- Levante ligeiramente o apoio para as peças (15) e passe o mesmo pela ranhura na guia angular.
- Pendure o gancho do apoio para peças no abertura do mordente de aperto (14).
- Coloque a peça no apoio para peças (15).
- Desloque o veio de travamento (8) para junto da peça e aperte a peça com a ajuda do punho do veio (10).

- ▶ **Certifique-se de que o apoio para peças está bem unido ao mordente de aperto e não tomba, quando coloca a peça.**

- ▶ **Certifique-se de que a altura da peça no apoio para peças tem no máx. 40 mm. Peças mais altas não podem ser fixadas com segurança.**

- ▶ **Certifique-se de que o apoio para peças, após a utilização, é novamente empurrado por completo para a guia angular. Um gancho saliente evita a fixação segura de uma peça.**

Soltar a peça a ser trabalhada

- Solte o punho veio (10).

- Abra o destravamento rápido (9) e afasta o veio de travamento (8) da peça a ser trabalhada.

Colocação em funcionamento

- ▶ **Observar a tensão de rede!** A tensão da fonte de corrente deve coincidir com a chapa de identificação do carregador. Carregadores marcados para 230 V também podem ser operados com 220 V.
- ▶ **Verifique o disco de corte antes da utilização. O disco de corte tem de estar corretamente montado e poder rodar sem dificuldades. Efetue um teste de funcionamento durante, pelo menos, 30 segundos, sem carga. Não utilize disco de corte danificados, não redondos ou com vibrações.** Os discos de corte danificados podem rebentar e causar ferimentos.

Pós de materiais, como por exemplo tintas que contêm chumbo, minerais e metal, podem ser nocivos à saúde. O contacto ou a inalação dos pós pode provocar reações alérgicas e/ou doenças nas vias respiratórias do utilizador ou das pessoas que se encontrem por perto.

Certos pós de metal são considerados como sendo especialmente perigosos, principalmente junto com ligas de, por exemplo, zinco, alumínio ou cromo. Material que contém asbesto só deve ser processado por pessoal especializado.

- Assegure uma boa ventilação do local de trabalho.
- É recomendável usar uma máscara de proteção respiratória com filtro da classe P2.

Observe as diretivas para os materiais a serem processados, vigentes no seu país.

O disco de corte pode ficar bloqueado devido a pó, aparas ou estilhaços da peça no alojamento da placa de base (13).

- Desligue a ferramenta elétrica e puxar a ficha de rede da tomada.
- Aguardar até que o disco de corte esteja completamente parado.
- Incline a ferramenta elétrica para trás, para que os restos de peça pequenos possam sair do orifício previsto para esse fim.
Se necessário, use uma ferramenta adequada para remover todos os restos de peças.

- ▶ **Evite a acumulação de pó no local de trabalho.** Pós podem entrar levemente em ignição.

Posição do operador

- ▶ **Nunca fique alinhado com o disco de corte à frente da ferramenta elétrica, mas sim sempre lateralmente do disco de corte.** Em caso de rutura do disco de corte, o seu corpo fica assim mais protegido contra possíveis lascas.

Ligar e desligar (ver figura 1)

- Para a **colocação em funcionamento** pressione primeiro o bloqueio de ligação (1).
Prima, de seguida, o interruptor de ligar/desligar (2) e mantenha-o premido.

Nota: Por motivos de segurança o interruptor de ligar/desligar (2) não pode ser travado, mas deve permanecer premido durante o funcionamento.

- Para **desligar**, solte o interruptor de ligar/desligar (2).

Arranque suave

O arranque suave eletrónico limita o binário ao ligar e aumenta a durabilidade do motor.

Instruções de trabalho

Indicações gerais para cortar

- ▶ **Não toque no disco de serra após o trabalho, espere que este arrefeça.** O disco de corte torna-se extremamente quente durante o trabalho.
- ▶ **Certifique-se de que a chapa de proteção contra faíscas (21) está corretamente montada.** São originadas faíscas quando se lixa metais.

Proteger o disco de corte contra golpes, pancadas e gordura. O disco de corte não deve ser exposto à qualquer pressão lateral.


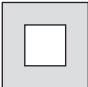
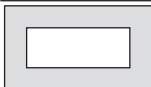

Não sobrecarregar demasiado a ferramenta elétrica, provocando uma paragem.

Um avanço com demasiada força diminui substancialmente a autonomia de funcionamento da ferramenta elétrica e reduz a durabilidade do disco de corte.

Só usar discos de corte apropriados para o material a ser trabalhado.

Dimensões admissíveis da peça a ser trabalhada

Máximo de peças a serem trabalhadas:

Forma da peça	ângulo de meia-esquadria horizontal	
	0°	45°
	129 Ø	128 Ø
	119 x 119	110 x 110
	100 x 196	107 x 115
	130 x 130	115 x 115

Peças mínimas

(= todas as peças que ainda podem ser fixadas com o veio de travamento (8)): comprimento 80 mm

Profundidade máx. de corte (0°/0°): 129 mm

Cortar metal

- Se necessário, ajuste o ângulo de meia-esquadria horizontal pretendido.

- Fixe a peça a ser trabalhada de acordo com as dimensões.
- Ligue a ferramenta elétrica.
- Conduza lentamente o braço da ferramenta com o punho (3) para baixo.
- Cortar a peça com avanço uniforme.
- Desligue a ferramenta elétrica e aguarde até o disco de corte parar completamente.
- Conduza lentamente o braço da ferramenta para cima.

Transporte

- Transporte a ferramenta elétrica sempre pelo punho de transporte (19).
- ▶ **Ao transportar a ferramenta elétrica, utilizar apenas os dispositivos de transporte e nunca os dispositivos de proteção.**

Manutenção e assistência técnica

Manutenção e limpeza

- ▶ **Antes de todos trabalhos na ferramenta elétrica deverá puxar a ficha de rede da tomada.**
- ▶ **Manter a ferramenta elétrica e as aberturas de ventilação sempre limpas, para trabalhar bem e de forma segura.**

Se for necessário instalar um cabo de ligação, a instalação deve ser feita pela **Bosch** ou por um centro de serviço autorizado para ferramentas elétricas **Bosch**, para evitar perigos de segurança.

- ▶ **Limpe com regularidade as aberturas de ventilação da sua ferramenta elétrica.** A ventoinha do motor puxa pó para dentro da carcaça, e uma grande quantidade de pó de metal pode causar perigos elétricos.
- ▶ **Em condições de utilização extremas utilize sempre, se possível, um sistema de aspiração. Sobre frequentemente as aberturas de ventilação e interconecte um disjuntor de corrente de avaria (PRCD).** Durante o processamento de metais é possível que se deposite pó condutivo no interior da ferramenta elétrica. Isto pode prejudicar o isolamento de proteção da ferramenta elétrica.
- ▶ **Mande executar os trabalhos de manutenção e reparação apenas por pessoal especializado e qualificado.** Desta forma é assegurada a segurança da ferramenta elétrica.

A capa de proteção pendular deve sempre movimentar-se livremente e fechar-se automaticamente. Portanto deverá manter a área em volta da capa de proteção pendular sempre limpa.

Acessórios

	Número de produto
Discos de corte para materiais de metal	
Disco de corte 355 x 25,4 mm	2 608 600 208
Disco de corte 355 x 25,4 mm	2 608 600 223

Serviço pós-venda e aconselhamento

O serviço pós-venda responde às suas perguntas a respeito de serviços de reparação e de manutenção do seu produto, assim como das peças sobressalentes. Desenhos explodidos e informações acerca das peças sobressalentes também em:

www.bosch-pt.com

A nossa equipa de consultores Bosch esclarece com prazer todas as suas dúvidas a respeito dos nossos produtos e acessórios.

Indique para todas as questões e encomendas de peças sobressalentes a referência de 10 dígitos de acordo com a placa de características do produto.

Brasil

Robert Bosch Ltda. – Divisão de Ferramentas Elétricas
Rodovia Anhanguera, Km 98 - Parque Via Norte
13065-900, CP 1195
Campinas, São Paulo
Tel.: 0800 7045 446
www.bosch.com.br/contato

Encontra outros endereços da assistência técnica em:

www.bosch-pt.com/serviceaddresses

Eliminação

Ferramentas elétricas, acessórios e embalagens devem ser enviados a uma reciclagem ecológica de matérias-primas.



Não deitar ferramentas elétricas no lixo doméstico!

中文

安全规章

电动工具通用安全警告

警告！ 阅读所有警告和所有说明！不遵照以下警告和说明会导致电

击、着火和 / 或严重伤害。

保存所有警告和说明书以备查阅。

在所有下列的警告中术语“电动工具”指市电驱动（有线）电动工具或电池驱动（无线）电动工具。

工作场地的安全

▶ **保持工作场地清洁和明亮。** 混乱和黑暗的场地会引发事故。

▶ **不要在易爆环境，如有易燃液体、气体或粉尘的环境下操作电动工具。** 电动工具产生的火花会点燃粉尘或气体。

▶ **让儿童和旁观者离开后操作电动工具。** 注意力不集中会使操作者失去对工具的控制。

电气安全

▶ **电动工具插头必须与插座相配。绝不能以任何方式改装插头。** 需接地的电动工具不能使用任何转

换插头。未经改装的插头和相配的插座将减少电击危险。

- ▶ 避免人体接触接地表面，如管道、散热片和冰箱。如果你身体接地会增加电击危险。
- ▶ 不得将电动工具暴露在雨中或潮湿环境中。水进入电动工具将增加电击危险。
- ▶ 不得滥用电线。绝不能用电线搬运、拉动电动工具或拔出其插头。使电线远离热源、油、锐边或运动部件。受损或缠绕的软线会增加电击危险。
- ▶ 当在户外使用电动工具时，使用适合户外使用的外接软线。适合户外使用的软线将减少电击危险。
- ▶ 如果在潮湿环境下操作电动工具是不可避免的，应使用剩余电流动作保护器（RCD）。使用RCD可减小电击危险。

人身安全

- ▶ 保持警觉，当操作电动工具时关注所从事的操作并保持清醒。当你感到疲倦，或在有药物、酒精或治疗反应时，不要操作电动工具。在操作电动工具时瞬间的疏忽会导致严重人身伤害。
- ▶ 使用个人防护装置。始终佩戴护目镜。安全装置，诸如适当条件下使用防尘面具、防滑安全鞋、安全帽、听力防护等装置能减少人身伤害。
- ▶ 防止意外起动。确保开关在连接电源和/或电池盒、拿起或搬运工具时处于关断位置。手指放在已接通电源的开关上或开关处于接通时插入插头可能会导致危险。
- ▶ 在电动工具接通之前，拿掉所有调节钥匙或扳手。遗留在电动工具旋转零件上的扳手或钥匙会导致人身伤害。
- ▶ 手不要伸展得太长。时刻注意立足点和身体平衡。这样在意外情况下能很好地控制电动工具。
- ▶ 着装适当。不要穿宽松衣服或佩戴饰品。让衣服、手套和头发远离运动部件。宽松衣服、配饰或长发可能会卷入运动部件中。
- ▶ 如果提供了与排屑、集尘设备连接用的装置，要确保他们连接完好且使用得当。使用这些装置可减少尘屑引起的危险。
- ▶ 即使由于经常使用电动工具而对此非常熟悉，也不要就认为可以高枕无忧而忽略工具的安全规定。粗心大意的行为可能在瞬间就造成严重的伤害。

电动工具使用和注意事项

- ▶ 不要滥用电动工具，根据用途使用适当的电动工具。选用适当设计的电动工具会使你工作更有效、更安全。
- ▶ 如果开关不能接通或关断工具电源，则不能使用该电动工具。如果开关不能接通或关断工具电源，则不能使用该电动工具。
- ▶ 在进行任何调节、更换附件或贮存电动工具之前，必须从电源上拔掉插头和/或使电池盒与工具脱离。这种防护性措施将减少工具意外起动的危险。
- ▶ 将闲置不用的电动工具贮存在儿童所及范围之外，并且不要让不熟悉电动工具或对这些说明不

了解的人操作电动工具。电动工具在未经培训的用户手中是危险的。

- ▶ 保养电动工具。检查运动件是否调整到位或卡住，检查零件破损情况和影响电动工具运行的其他状况。如有损坏，电动工具应在使用前修理好。许多事故由维护不良的电动工具引发。
- ▶ 保持切削刀具锋利和清洁。保养良好的有锋利切削刃的刀具不易卡住而且容易控制。
- ▶ 按照使用说明书，考虑作业条件和进行的作业来使用电动工具、附件和工具的刀头等。将电动工具用于那些与其用途不符的操作可能会导致危险。
- ▶ 保持手柄和握持表面干燥、清洁、无油污。在突发情况下，滑溜的手柄和握持表面无法确保安全地握持和控制工具。

维修

- ▶ 将你的电动工具送交专业维修人员，使用同样的备件进行修理。这样将确保所维修的电动工具的安全性。

切割机安全警告

- ▶ 使自己和旁观者远离旋转的砂轮的平面。防护罩可保护操作者免受破裂砂轮片的伤害和避免操作者偶然接触到砂轮。
- ▶ 本电动工具仅使用胶合增强型切割片。因为附件可能附在本电动工具上，因此无法确保操作安全。
- ▶ 附件的额定转速必须至少等同于标注在电动工具上的最大转速。如果附件转速超过其额定转速，可能会断裂并飞出。
- ▶ 砂轮必须仅用于推荐的应用。例如：不要用切割砂轮的侧面进行打磨。磨料切割片用于圆周磨削，施加到这些砂轮上的侧向力可能使它们破裂。
- ▶ 始终使用直径与所选砂轮匹配的完好轮缘。合适的轮缘对砂轮提供支持，这样可降低砂轮断裂的可能性。
- ▶ 附件的外径和厚度必须在电动工具的额定载荷内。尺寸不正确的附件无法得到妥当保护或控制。
- ▶ 砂轮和轮缘的芯轴尺寸必须适合电动工具的芯轴。如果砂轮和轮缘的芯轴孔与安装的电动工具硬件不匹配，将失去平衡、剧烈振动并可能导致失控。
- ▶ 不要使用损坏的砂轮。每次使用前都要检查砂轮是否有碎片和裂缝。如果电动工具或砂轮摔落，应检查砂轮是否损坏，并安装一个完好的砂轮。检查并安装砂轮后，使自己和旁观者远离旋转的砂轮的平面，并让电动工具以最大空载转速旋转一分钟。损坏的砂轮通常在测试期间会裂开。
- ▶ 佩戴个人防护装置。根据应用情况，使用面罩或护目镜。视情况而定，戴上防尘面具、听力保护装置、手套和能够阻挡小块磨料或工件碎片的围裙。眼部保护装置必须能阻挡由各种操作所产生的飞溅碎片。防尘面罩或呼吸器必须能过滤操作

所产生的颗粒。长时间处于高强度噪音中可能导致失聪。

- ▶ **让旁观者与工作区域保持一定的安全距离。任何进入工作区域的人员都必须佩戴个人防护设备。** 工件或断裂的砂轮碎片可能会飞出，并造成操作区域以外的损害。
- ▶ **不要将电源线放在旋转的附件周围。** 如失去控制，电源线可能被切割或钩住，您的手臂可能被卷入旋转的砂轮。
- ▶ **定期清理电动工具的通风口。** 电机风扇可能将粉尘吸入壳体，大量聚集的粉末状金属可能导致电气危险。
- ▶ **不要在可燃材料附近操作电动工具。不要在可燃表面如木头上操作电动工具。** 火花可能点燃这些材料。
- ▶ **不要使用需要液体冷却剂的附件。** 使用水或其他液体冷却剂可能导致触电或电击。

回弹和相关警告

回弹对于旋转的砂轮被夹住或钩住的突然反应。夹住或钩住会导致旋转中的砂轮快速停止转动，从而引发失控的切割单元向上冲向操作者。

例如，当砂轮被工件钩住或夹住时，进入夹点的砂轮边缘可能插入材料表面，造成砂轮爬出或回弹。在这些条件下，砂轮也可能断裂。

回弹是电动工具不当使用和 / 或操作流程或条件不正确的结果，可通过采取以下预防措施来避免。

- ▶ **牢牢把握住电动工具，将身体和手臂摆好位置，以抵挡回弹力。** 如采取适当的预防措施，操作者可以控制向上的回弹力。
- ▶ **不要让身体与旋转的砂轮处于一条直线上。** 如发生回弹，会将切割单元向上推向操作员。
- ▶ **不要安装锯链、木雕刀片、周边差距大于10毫米的金刚石砂轮段或齿锯片。** 这类锯片会造成频繁回弹和失控。
- ▶ **不要“卡住”砂轮或过分施加压力。不要试图切割过深。** 过度对砂轮施加应力会增加负荷，并提高切割中砂轮扭曲或粘滞的敏感性以及回弹或砂轮破损的可能性。
- ▶ **当砂轮粘滞或由于某种原因中断切割时，将电动工具关机并保持切割单元不动，直至砂轮完全停下。不要试图在砂轮转动时将砂轮从切口移出，否则会出现回弹。** 研究并进行修正，以消除砂轮粘滞的因素。
- ▶ **不要在附件还在工件中时重新启动切割操作。让砂轮达到全速，小心地再次进入切口。** 如果在砂轮还在工件中时重新启动电动工具，砂轮可能粘滞、上移或回弹。
- ▶ **超大的工件需要加以支持，以降低砂轮夹住和回弹的风险。** 大工件会因自重而自然下垂。必须在工件下方靠近切割线处以及砂轮两侧靠近工件边缘处进行支撑。

其他安全规章

- ▶ **妥善保存好不使用的电动工具。存放处必须保持干燥并且能够上锁。** 这样能够防止电动工具在储

藏过程中受损，或避免不会操作机器的人使用它。

- ▶ **务必固定好待加工的工件。不得加工因为体积太小而无法固定的工件。** 因为这样手和旋转的切割片之间的距离会太小。
- ▶ **定期检查电线。** 损坏的电线只能交给博世电动工具授权的客户服务部门修理。更换损坏的延长电线。这样将确保所用电动工具的安全性。
- ▶ **切勿站在电动工具上。** 如果电动工具翻倒或者您不小心碰触到锯片，都可能造成严重的伤害。
- ▶ **应始终使用防护罩。** 防护罩可以保护操作者不被切割片的碎片割伤，以及避免操作者意外碰触切割片。
- ▶ **关机后不得用侧压刀片来制止仍然继续转动的切割片。** 切割片可能损坏、断裂或反弹。
- ▶ **工具未完全静止时，不可离开工具。** 如果工具仍继续转动，可能造成伤害。

图标

以下符号可以帮助您正确地使用本电动工具。请记住各符号和它们的代表意思。正确了解各符号的代表意思，可以帮助您更有把握更安全地操作本电动工具。

图标及其含义

	请佩戴护目镜。
	请佩戴听力防护装置。工作噪音会损坏听力。
	请佩戴防尘口罩。
	当电动工具运转时，切勿把手放在切割范围内。如果手碰触到切割片，有受伤危险。
	佩戴保护手套。切割片很锋利，而且在工作时会变得很热。

产品和性能说明



请阅读所有安全规章和指示。不遵照以下警告和说明可能导致电击、着火和/或严重伤害。

请注意本使用说明书开头部分的图示。

按照规定使用

电动工具作为立式设备，借助切割片通过直切削过程不使用水就可对金属材料进行纵向和横向切割，水平斜切角度可达45度。
不允许使用镶有金刚石的切割片。

插图上的机件

机件的编号和电动工具详解图上的编号一致。

- (1) 电源开关的开机锁
- (2) 电源开关
- (3) 手柄
- (4) 摆动防护罩
- (5) 主轴锁
- (6) 切割片
- (7) 角度挡块
- (8) 固定丝杆
- (9) 快速解锁装置
- (10) 丝杆柄
- (11) 安装孔
- (12) 内六角扳手 (8毫米)
- (13) 底板
- (14) 夹紧钳口
- (15) 用于最大横截面40 x 40毫米的工件的托架
- (16) 角度挡块的固定螺丝
- (17) 运输固定装置
- (18) 机臂
- (19) 运输柄
- (20) 防护罩
- (21) 火花挡板
- (22) 刀具主轴
- (23) 夹紧法兰
- (24) 垫片
- (25) 六角螺栓

技术参数

砂轮切割机		GCO 14-24 J
物品代码		3 601 M37 2..
额定输入功率	瓦	2400
空载转速	次/分钟	3800
缓速启动		●
重量符合EPTA-Procedure 01:2014	公斤	18.0
保护等级		□/

许可的工件尺寸 (最大/最小) : 许可的工件尺寸

所有参数适用于230伏的额定电压[U]，对于其他不同的电压和国家规格，数据有可能不同。

适合本机器的切割片尺寸

最大切割片直径	毫米	355
切割片最大厚度	毫米	3

适合本机器的切割片尺寸

固定孔直径	毫米	25.4
-------	----	------

安装

- ▶ 避免意外启动电动工具。安装锯片时或在电动工具上所有工作时，电源插头都不允许连接电源。

供货范围

小心地从包装中取出所有的配套零件。

拆除电动工具和配套附件上的所有包装材料。

电动工具初次投入运行前请检查下列零件是否均配套提供：

- 安装了切割片的砂轮切割机
- 内六角扳手(12)

提示：检查电动工具是否有损坏之处。

使用电动工具之前，必须详细检查防护装置或轻微损坏的零件是否仍然运作正常。检查活动性零件是否功能正常不会被夹住，以及该零件有否受损。所有的零件都必须安装正确，并且符合规定以确保机器的正常功能。

损坏的防护装置和零件必须按照规定交给合格的专业修理厂修理或更换。

固定或活动的安装方式

- ▶ 为了能够稳定地操作机器，正式使用之前，必须将电动工具固定在平坦、稳固的工作平面上（例如工作台）。

安装在工作面上（参见插图A）

- 使用合适的螺栓连接将电动工具固定在工作面上。为此需要钻孔(11)。

灵活搭建（不建议！）

如果在特殊情况下无法将电动工具牢固地安装在工作表面上，可以临时将底板(13)的支脚放置在适当的底座上（如工作台、平坦的地面等），无须拧紧电动工具。

更换切割片（参见插图B1-B2）

- ▶ 在电动工具上进行所有操作之前都必须从插座上拔出电源插头。
- ▶ 待刀具主轴(22)完全静止后才可以操纵主轴锁(5)。否则可能会损坏电动工具。
- ▶ 完成工作后倘若切割片尚未冷却，切勿触摸。工作期间切割片会变得非常灼热。

必须根据本说明书中提出的各项技术数据选择切割片。另外切割片上必须标示了通过EN 12413 检验的标志。

如果配套提供中间层，随切割片一起使用。

把不使用的切割片放置在封闭的容器或原包装中。

储存切割片时要采取平放的方式。

拆卸切割片

- 将电动工具调整在工作位置上。
- 向后翻转摆动防护罩(4)，直至极限位置。

- 用随附的内六角扳手(12)转动六角螺栓(25)，同时按下主轴锁(5)，直至卡紧。
- 按住主轴锁并旋出六角螺栓(25)。
- 取下垫片(24)和夹紧法兰(23)。
- 取出切割片(6)。

安装切割片

必要的话，在安装之前清洁所有的零部件。

- 将新的切割片装到刀具主轴(22)上，使贴纸指向远离机臂的方向。
- 装上夹紧法兰(23)、垫片(24)和六角螺栓(25)。按压主轴锁(5)直至卡入，然后朝顺时针方向重新拧紧六角螺栓(25)。(拧紧力矩约18–20牛米)
- 将摆动防护罩(4)缓慢完全向下插入，直至切割片被盖住。
- 请确保摆动防护罩(4)功能正常。

安装好切割片之后以及在开动机器之前，必须检查是否已经正确地安装好切割片，切割片是否能够无阻地旋转。

- 请确保切割片不要刮擦到摆动防护罩(4)、固定防护罩(20)或其他部件。
- 先让电动工具运作约30秒。如果机器在运转时出现明显的震动，必须马上关闭电动工具，拆除切割片并且重新安装。

运行

- ▶ 在电动工具上进行所有操作之前都必须从插座上拔出电源插头。

运输固定装置 (参见插图C)

运输固定装置(17)方便您将电动工具运输到不同的安装位置。

松开电动工具的锁定 (工作位置)

- 通过手柄(3)略微向下压机臂，以松开运输固定装置(17)。
- 向外完全拉出运输固定装置(17)。
- 慢慢向上提起机臂。

提示：操作时请注意不要向内按压运输固定装置，否则机臂无法摆动到所需的深度。

锁定电动工具 (运输位置)

- 尽可能地向下滑动机臂，直至将运输固定装置(17)向内压到底。

其他有关运输的提示(参见“运输”，页32)。

调整水平斜切角度 (参见插图D)

水平斜切角度的调整范围在0度至45度之间。重要的调整值已通过相应标识标记在角度挡块(7)上。相应的末端挡块确保0度和45度位置。

- 用随附的内六角扳手(12) (8毫米) 松开角度挡块的固定螺丝(16)。
- 设置所需的角度的，然后再次拧紧两个固定螺丝(16)。

移动角度挡块 (参见插图D-E)

切割宽度大于140毫米的工件时，可以将角度挡块(7)向后移动。

- 用随附的内六角扳手(12) (8毫米) 完全旋出固定螺丝(16)。
- 按所需的距离，将角度挡块(7)向后移动一个或两个孔。
- 设置所需的角度的，然后再次拧紧两个固定螺丝(16)。

固定工件

为了确保最佳工作安全性，务必固定好工件。不要加工太小而无法固定的工件。

固定工件 (参见插图E)

- 将工件放到角度挡块(7)上。
- 将固定丝杆(8)推到工件上，并借助丝杆柄(10)牢牢夹紧工件。

将工件 (最大横截面40 x 40毫米) 固定在工件座上 (参见插图F-H)

- 请在角度挡块(7)上将标准斜切角度调到0度。
- 略微抬起工件座(15)，并将其推入角度挡块中的开缝。
- 将工件座的钩子挂入夹紧钳口(14)的开口中。
- 将工件放在工件座(15)上。
- 将固定丝杆(8)推到工件上，并借助丝杆柄(10)牢牢夹紧工件。
- ▶ 放置工件时，请确保工件座已与夹紧钳口牢牢连接且不倾斜。
- ▶ 请确保工件座上的工件高度最大为40毫米。无法牢固夹紧更高的工件。
- ▶ 使用完毕后，请确保将工件座完全推回角度挡块中。突出的钩子会阻碍工件的牢固夹紧。

松开工件

- 松开丝杆柄(10)。
- 打开快速解锁装置(9)，并将固定丝杆(8)拉离工件。

投入使用

- ▶ **注意电源电压！**电源的电压必须和充电器铭牌上标示的电压数据一致。标记为230伏的充电器也可用220伏电压运行。
- ▶ **使用前，请先检查切割片。必须正确安装切割片，使其可以自由转动。进行至少30秒的无负载试机。切勿使用损坏、变形或转动时会振动的切割片。损坏的切割片可能会破裂并且造成伤害。**

加工含铅的颜料以及矿物和金属所产生的废尘有害健康。机器操作者或者工地附近的人如果接触、吸入这些废尘，可能会有过敏反应或者感染呼吸道疾病。

加工含铅的颜料以及矿物和金属所产生的废尘有害健康。只有经过专业训练的人才能够加工含石棉的物料。

- 工作场地要保持空气流通。
- 最好佩戴P2滤网等级的口罩。

请留心并遵守贵国和加工物料有关的法规。

切割片会被灰尘、碎屑或底板(13)开口处工件的碎片卡住。

- 关闭电动工具，并且从电源插座中拔出电源插头。
- 静候，待切割片完全停止旋转。
- 向后翻转电动工具，以便让工件的废屑从开口中掉落。
- 必要时得使用合适的工具清除所有的工件废屑。
- ▶ **避免让工作场所堆积过多的尘垢。** 尘埃容易被点燃。

操作者的位置

- ▶ **请勿站在电动工具的切割片正前方，应始终站在切割片的侧面。** 这样在切割片断裂时，才能够保护您的身体免受碎片割伤。

接通/关闭 (参见插图I)

- 调试时，请首先按压开机锁(1)。
- 接着按压电源开关(2)并按住。

提示：基于安全顾虑，电源开关(2)无法被锁定。所以操作机器时必须持续地按住开关。

- 如要**关闭**，松开电源开关(2)。

缓慢起动

电子控制的均调起动功能可以限制开机时的扭矩，并延长马达的使用寿命。

工作提示

切割时的一般性提示

- ▶ **完成工作后倘若切割片尚未冷却，切勿触摸。** 工作期间切割片会变得非常灼热。
- ▶ **确保火花挡板(21)已正确安装。** 研磨金属时会有火花飞溅。

保护切割片免受受冲、撞，切割片要远离油渍。不要让切割片承受侧向压力。

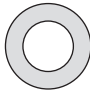
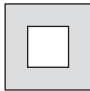

勿让电动工具因为过载而停止转动。

操作机器时用力过猛，不仅会明显降低电动工具的功率，并且会缩短切割片的使用寿命。

根据工件选择合适的切割片。

许可的工件尺寸

最大工件：

工件形状	水平斜切角度	
	0度	45度
	直径129	直径128
	119 x 119	110 x 110
	100 x 196	107 x 115

工件形状	水平斜切角度	
	0度	45度



130 x 130

115 x 115

最小工件

(= 所有可以通过固定丝杆(8)夹紧的工件)：长80毫米

最大切削深度 (0度/0度)： 129毫米

切割金属

- 如有必要，调到需要的水平斜切角度。
- 根据尺寸正确地夹紧工件。
- 接通电动工具的电源。
- 通过手柄(3)缓慢向下移动机臂。
- 使用均匀的推进力切割工件。
- 关闭电动工具并静候，让切割片完全停止转动。
- 慢慢向上提起机臂。

运输

- 请始终通过运输手柄(19)抬起电动工具。
- ▶ **搬动电动工具时只能使用运输装置，不可以利用防护装置来运输电动工具。**

维修和服务

保养和清洁

- ▶ **在电动工具上进行所有操作之前都必须从插座上拔出电源插头。**
- ▶ **电动工具和通气孔必须随时保持清洁，以确保工作效率和工作安全。**

如果必须更换连接线，务必把这项工作交给**Bosch**或者经授权的**Bosch**电动工具顾客服务执行，以避免危害机器的安全性能。

- ▶ **定期清洁电动工具的通风间隙。** 电动机风扇会将灰尘吸进机壳，过多的金属粉末沉积会导致电气危险。
- ▶ **在某些极端使用环境下，如果可能的话一定要使用吸尘器。** 经常吹除通气孔中的污垢，并且要使用故障电流保护开关 (PRCD)。加工金属时可能在电动工具的内部堆积会导电的粉尘。这样可能会影响电动工具的安全绝缘性能。
- ▶ **维护和修理的工作只能交给合格的专业人员执行。** 如此才能够确保电动工具的安全性能。

摆动防护罩必须能够无阻地来回摆动，并且要能够自动关闭，所以摆动防护罩的四周必须随时保持清洁。

附件

物品代码

用于所有金属材料的切割片

355 x 25.4毫米的切割片	2 608 600 208
355 x 25.4毫米的切割片	2 608 600 223

客户服务和应用咨询

本公司顾客服务处负责回答有关本公司产品的修理、维护和备件的问题。备件的展开图纸和信息也可查看：www.bosch-pt.com
博世应用咨询团队乐于就我们的产品及其附件问题提供帮助。

询问和订购备件时，务必提供机器铭牌上标示的10位数物品代码。

中国大陆

博世电动工具（中国）有限公司
中国 浙江省 杭州市
滨江区 滨康路567号
102/1F 服务中心
邮政编码：310052
电话：(0571)8887 5566 / 5588
传真：(0571)8887 6688 x 5566# / 5588#
电邮：bsc.hz@cn.bosch.com
www.bosch-pt.com.cn

制造商地址：

Robert Bosch Power Tools GmbH
罗伯特·博世电动工具有限公司
70538 Stuttgart / GERMANY
70538 斯图加特 / 德国

其他服务地址请见：

www.bosch-pt.com/serviceaddresses

处理废弃物

必须以符合环保要求的方式回收再利用电动工具、附件和包装材料。



请勿将电动工具扔到生活垃圾中！

繁體中文

安全注意事項

電動工具通用安全警告

警告

請詳讀工作臺及電動工具的所有安全警告與使用說明。若不遵照以下列出的指示，將可能導致電擊、著火和/或人員重傷。

保存所有警告和說明書以備查閱。

在所有警告中，「電動工具」此一名詞泛指：以市電驅動的（有線）電動工具或是以電池驅動的（無線）電動工具。

工作場地的安全

- ▶ 保持工作場地清潔和明亮。混亂和黑暗的場地會引發事故。

- ▶ 不要在易爆環境，如有易燃液體、氣體或粉塵的環境下操作電動工具。電動工具產生的火花會點燃粉塵或氣體。
- ▶ 讓兒童和旁觀者離開後操作電動工具。注意力不集中會使您失去對工具的控制。

電氣安全

- ▶ 電動工具插頭必須與插座相配。絕不能以任何方式改裝插頭。需接地的電動工具不能使用任何轉換插頭。未經改裝的插頭和相配的插座將減少電擊危險。
- ▶ 避免人體接觸接地表面，如管道、散熱片和冰箱。如果您身體接地會增加電擊危險。
- ▶ 不得將電動工具暴露在雨中或潮濕環境中。水進入電動工具將增加電擊危險。
- ▶ 不得濫用電線。絕不能用電線搬運、拉動電動工具或拔出其插頭。使電線遠離熱源、油、銳利邊緣或移動零件。受損或纏繞的軟線會增加電擊危險。
- ▶ 當在戶外使用電動工具時，使用適合戶外使用的延長線。適合戶外使用的軟線，將減少電擊危險。
- ▶ 如果在潮濕環境下操作電動工具是不可避免的，應使用剩餘電流動作保護器（RCD）。使用RCD可降低電擊危險。

人身安全

- ▶ 保持警覺，當操作電動工具時關注所從事的操作並保持清醒。當您感到疲倦，或在有藥物、酒精或治療反應時，不要操作電動工具。在操作電動工具時瞬間的疏忽會導致嚴重人身傷害。
- ▶ 使用個人防護裝置。始終佩戴護目鏡。安全裝置，諸如適當條件下使用防塵面具、防滑安全鞋、安全帽、聽力防護等裝置能減少人身傷害。
- ▶ 防止意外起動。確保開關在連接電源和/或電池盒、拿起或搬運工具時處於關閉位置。手指放在已接通電源的開關上或開關處於接通時插入插頭可能會導致危險。
- ▶ 在電動工具接通之前，拿掉所有調節鑰匙或扳手。遺留在電動工具旋轉零件上的扳手或鑰匙會導致人身傷害。
- ▶ 手不要伸展得太長。時刻注意立足點和身體平衡。這樣在意外情況下能很好地控制電動工具。
- ▶ 著裝適當。不要穿寬鬆衣服或佩戴飾品。讓您的衣物及頭髮遠離運動部件。寬鬆衣服、佩飾或長髮可能會捲入運動部件中。
- ▶ 如果提供了與排屑、集塵設備連接用的裝置，要確保他們連接完好且使用得當。使用這些裝置可減少塵屑引起的危險。
- ▶ 切勿因經常使用工具所累積的熟練感而過度自信，輕忽工具的安全守則。任何一個魯莽的舉動都可能瞬間造成人員重傷。

電動工具使用和注意事項

- ▶ 不要濫用電動工具，根據用途使用適當的電動工具。選用適當設計的電動工具會使您工作更有效、更安全。

- ▶ 如果開關不能開啟或關閉工具電源，則不能使用該電動工具。不能用開關來控制的電動工具是危險的且必須進行修理。
- ▶ 在進行任何調整、更換配件或貯存電動工具之前，必須從電源上拔掉插頭並／或取出電池盒。這種防護性措施將減少工具意外起動的危險。
- ▶ 將閒置不用的電動工具貯存在兒童所及範圍之外，並且不要讓不熟悉電動工具或對這些說明不瞭解的人操作電動工具。電動工具在未經培訓的用戶手中是危險的。
- ▶ 保養電動工具與配備。檢查運動件是否調整到位或卡住，檢查零件破損情況和影響電動工具運行的其他狀況。如有損壞，電動工具應在使用前修理好。許多事故由維護不良的電動工具引發。
- ▶ 保持切削刀具鋒利和清潔。保養良好的有鋒利切削刃的刀具不易卡住而且容易控制。
- ▶ 按照使用說明書，考慮作業條件和進行的作業來使用電動工具、配件和工具的刀頭等。將電動工具用於那些與其用途不符的操作可能會導致危險。
- ▶ 把手及握持區應保持乾燥、潔淨，且不得沾染任何油液或油脂。易滑脫的把手及握持區將無法讓您在發生意外狀況時安全地抓緊並控制工具。

檢修

- ▶ 將您的電動工具送交專業維修人員，必須使用同樣的備件進行更換。這樣將確保所維修的電動工具的安全性。

切割機安全警告

- ▶ 自己與旁觀者應遠離旋轉中砂輪的平面。防護套可保護操作人員，以免被已損壞之砂輪的碎片擊傷與意外碰觸砂輪。
- ▶ 在電動工具上務必使用黏合強化切割砂輪。即使該配件可安裝至電動工具上，並不代表可以安全地操作電動工具。
- ▶ 配件的額定速率必須至少等於電動工具上所標示的最大速率。配件的運轉速度若高於其額定速率，可能會造成其破損並解體。
- ▶ 砂輪僅可用於建議用途。例如：勿以切割砂輪的兩側進行研磨。切割砂輪係專為周邊研磨而設計。對砂輪側面施力，可能會使其解體。
- ▶ 所使用的砂輪凸緣必須完好無損並符合選用之砂輪直徑。合適的砂輪凸緣可支撐砂輪，進而降低砂輪破裂的風險。
- ▶ 配件的外徑及厚度必須在電動工具的額定功率範圍內。規格不正確的配件無法讓防護機制發揮應有功能，或者可能失控。
- ▶ 砂輪和凸緣的心軸尺寸必須確實符合電動工具的主軸。砂輪和凸緣的心軸尺寸若無法完全符合電動工具的安裝硬體，那麼運轉時將造成失衡、震動幅度過大，甚至造成失控。
- ▶ 不可使用已受損的砂輪。每次使用前，請先檢查砂輪是否有缺口和裂縫。電動工具或砂輪萬一掉落，請檢查是否受損或直接換裝完好的砂輪。檢查並安裝好砂輪之後，請您與旁觀者遠離砂輪的旋轉平面，接著讓電動工具以最高空載速度，持

續運轉一分鐘。砂輪若有受損，通常會在此測試期間分解。

- ▶ 請穿戴個人防護裝備。根據實際操作狀況，使用面罩、安全護目鏡或防護眼鏡。在適當情況下，請戴上防塵面罩、聽力防護裝置、手套以及可防止細小磨料或工件碎片的工作圍裙。護目裝置必須能有效阻擋各種操作中所產生的噴飛碎屑。防塵面罩或口罩必須能過濾操作中所產生的粉塵。暴露在高分貝噪音中過久，會造成聽力受損。
- ▶ 請旁觀者與工作區保持安全距離。進入工作區的所有人員都必須穿戴個人防護裝備。工件碎片或破損的砂輪可能會四處噴飛，造成作業區範圍以外的附近人員受傷。
- ▶ 所有電線務必遠離旋轉中的配件。如果控制不當，有可能會切到或割斷電線，您的手掌或手臂亦可能被捲入正在旋轉的砂輪中。
- ▶ 請定期清理電動工具的通風口。馬達風扇會將粉塵捲入機殼內，累積過多的金屬粉塵可能危及電氣安全。
- ▶ 請勿在易燃材料旁操作本電動工具。請勿在如木材等可燃材料上操作本電動工具。火花可能引燃這些易燃物。
- ▶ 請勿使用需要冷卻液的配件。使用水或其他冷卻液可能導致觸電或電擊事件。

反彈與相關警告

反彈是旋轉中的砂輪卡住或斷裂時瞬間產生的反作用力。旋轉中的砂輪卡住或斷裂會造成突然停止轉動，而造成無法控制的切割裝置朝上直接對著操作人員。

舉例來說，工件如果造成研磨砂輪片斷裂或卡住，已推入卡住位置的砂輪邊緣可能會鑽進材料表面裡，而使砂輪脫出或反彈。在上述情況下，研磨砂輪片亦可能斷裂。

反彈是不當使用電動工具及／或操作程序（條件）不正確所造成的結果。採取以下適當預防措施，則可避免此一情況。

- ▶ 緊緊握好電動工具，並穩住您的雙臂和身體，以抵抗反彈力道。操作人員只要採取適當防護措施，即可控制朝上的反彈力道。
- ▶ 您所處的位置不可與旋轉中的砂輪呈一直線。若發生反彈，旋轉中的切割裝置會朝上直接對著操作人員。
- ▶ 請勿加裝鏈鋸型木刻鋸片、圓周節段的間距大於 10 mm 的鑽石砂輪或是鋸齒型鋸片。此類刀片會產生規律性反彈，進而導致本工具失控。
- ▶ 砂輪不可「卡死」或對其施力過大。不可作太深的切割。對砂輪施力過大會增加負載，容易造成切割時砂輪扭曲變形或卡死不動，並且增加發生反彈或砂輪破損的可能性。
- ▶ 當砂輪因任何原因卡死不動或中斷切割時，請關閉切割裝置，然後握住它不要移動，直至砂輪完全停止轉動。請勿嘗試在砂輪仍運轉時將它移出切口，否則可能引發反彈。瞭解情況並採取更正措施，以消除砂輪卡死的原因。
- ▶ 請勿於工件內部重新開始切割作業。請讓砂輪全速轉動，並小心重新進入切口。若是在工件內部

重新開始運轉電動工具，砂輪可能會卡死不動、往上滑移或發生反彈。

- ▶ **確實固定支撐超大尺寸的工件可降低砂輪卡住及發生反彈的風險。**大型工件可能因其本身的重量而下垂。必須在工件下方、靠近切割線及靠近工件邊緣的砂輪兩側加以支撐。

其他安全注意事項

- ▶ **電動工具不使用時請妥善收藏。存放處必須保持乾燥並且可以上鎖。**這樣能夠防止電動工具在儲藏過程中受損，或避免不會操作機器的人使用它。
- ▶ **務必固定好待加工的工件。不可以加工因體積太小而無法固定的工件。**因為這樣手和切割砂輪之間的距離會太小。
- ▶ **定期檢查電線。損壞的電線只能交給博世電動工授權的顧客服務處修理。延長電線如有受損，則須更換。**這樣將確保所維修的電動工具的安全性。
- ▶ **切勿踩踏在電動工具上。**如果電動工具突然翻倒或者不小心觸碰鋸片都可能造成嚴重傷害。
- ▶ **請務必使用防護罩。**防護罩可以保護操作者免被切割砂輪的碎片割傷，以及避免操作者意外碰觸切割砂輪。
- ▶ **關機後不可以側壓刀片的方式來制止仍繼續轉動的切割砂輪轉動。**切割砂輪可能損壞，斷裂或造成反彈。
- ▶ **工具未完全靜止時，不可離開工具。**如果工具仍繼續轉動，可能造成傷害。

符號

以下符號可以幫助您正確地使用本電動工具。請牢記各符號和它們的代表意義。正確了解各符號代表的意思，可以幫助您更有把握更安全地操作本電動工具。

符號和它們的代表意義



請佩戴護目鏡。



請佩戴耳罩。工作噪音會損壞聽力。



請佩戴防塵面罩。

符號和它們的代表意義



當電動工具運轉時，切勿把手放在切割範圍內。手若觸碰鋸片會有被割傷的危險。



請戴上防護手套。切割砂輪的刀刃十分銳利，作業時會變得非常炙熱。

產品和規格



請詳讀所有安全注意事項和指示。如未遵守安全注意事項與指示，可能導致火災、人員遭受電擊及/或重傷。

請留意操作說明書中最前面的圖示。

依規定使用機器

本電動工具採立座式設計，可搭配各式切割砂輪，在金屬材料上進行直線型的縱鋸、橫鋸作業，水平斜切角可達 45°，過程中毋需注水。不得使用鑽石切割砂輪。

插圖上的機件

機件的編號和電動工具詳解圖上的編號一致。

- (1) 起停開關的作動安全鎖
- (2) 起停開關
- (3) 把手
- (4) 活動防護罩
- (5) 主軸鎖
- (6) 切割砂輪
- (7) 角度擋塊
- (8) 制動螺桿
- (9) 快速解鎖裝置
- (10) 螺桿握把
- (11) 安裝孔
- (12) 內六角扳手 (8 mm)
- (13) 底座
- (14) 夾緊鉗口
- (15) 最大橫斷面為 40 x 40 mm 工件的工件托架
- (16) 角度擋塊的固定螺絲
- (17) 搬運固定裝置
- (18) 機臂
- (19) 搬運把手
- (20) 防護罩
- (21) 火花擋板
- (22) 工具主軸
- (23) 緊固法蘭
- (24) 墊片

(25) 六角螺絲**技術性數據**

切割機		GCO 14-24 J
產品機號		3 601 M37 2..
額定輸入功率	W	2400
無負載轉速	次 / 分	3800
緩速起動		●
重量符合 EPTA- Procedure 01:2014	kg	18.0

絕緣等級 II / I

容許的工件尺寸 (最大 / 最小) : 容許的工件尺寸

本說明書提供的數值是以 230 伏特為依據，於使用不同電壓的地區，此數據有可能不同。

適合本切割砂輪的切割片尺寸

最大切割砂輪直徑	mm	355
最大切割砂輪厚度	mm	3
孔徑	mm	25.4

安裝

- ▶ 請避免意外啟動電動工具。安裝時以及進行電動工具的維護修理工作時，機器的插頭都不可以插在插座中。

供貨範圍

小心地從包裝中取出所有隨附零件。

拆除電動工具和隨附配件上的所有包裝材料。

初次使用本電動工具之前，先檢查以下各部件是否包含在供貨範圍中：

- 安裝了切割砂輪的切割研磨機
- 內六角扳手 (12)

提示：檢查電動工具是否有壞損之處。

使用電動工具之前，必須仔細檢查防護裝置或輕微損壞的零件是否仍然運作正常。檢查活動零件是否功能正常、沒有被卡死，以及是否有任何零件有否受損。所有零件都必須安裝正確，並且符合規定以確保機器能夠正常運作。

損壞的防護裝置和零件必須按照規定交給合格的專業修理廠修理或更換。

固定式安裝或活動式安裝

- ▶ 為了能夠穩定地操作機器，正式使用機器之前，必須把電動工具固定在平坦、穩固的工作平面上 (例如工作桌)。

安裝在工作平面上 (請參考圖 A)

- 使用合適的夾鉗把電動工具固定在工作平面上。必須利用安裝孔 (11) 來進行固定。

活動式架設 (不建議！)

您不應該將電動工具直接安裝固定在工作平面上，此點絕無例外。不過，當您只是將底座台 (13) 的支腳暫放在適當位置上時 (例如工作桌、平坦地面上等等)，可以不用旋緊電動工具的螺栓。

更換切割砂輪 (請參考圖 B1-B2)

- ▶ 維修電動工具或換裝零、配件之前，務必從插座上拔出插頭。
- ▶ 待工具主軸完全靜止後，(22) 才可以使用主軸鎖 (5)。否則可能造成電動工具損壞。
- ▶ 加工後如果切割砂輪尚未冷卻，請勿觸摸。工作時切割砂輪會變得非常灼熱。

必須根據本說明書中提出的各項技術數據選擇切割砂輪。另外切割片上必須標示了通過 EN 12413 檢驗的標誌。

切割砂輪若有隨附間隔片，使用時請一併裝上。

把不使用的切割砂輪放置在封閉的容器或原包裝中。儲存切割砂輪時要採取平放的方式。

拆卸切割砂輪

- 把電動工具調整至工作位置。
- 將活動防護罩 (4) 往後翻轉到底。
- 用隨附的內六角螺絲 (25) 旋轉內六角螺絲 (12) 並同時按壓主軸鎖 (5)，讓它卡緊。
- 按住主軸鎖，並將內六角螺絲 (25) 旋出。
- 取下墊片 (24) 及固定法蘭 (23)。
- 取出切割砂輪 (6)。

安裝切割砂輪

必要時，請在安裝前清潔所有待安裝的零部件。

- 將新的切割砂輪安裝至工具主軸 (22) 上，使帶膠籤條遠離機臂的位置。
 - 裝上固定法蘭 (23)、墊片 (24) 及六角螺絲 (25)。按壓主軸鎖 (5) 並讓它卡緊，接著再將六角螺絲 (25) 沿順時針方向重新鎖緊。(旋緊扭力約 18-20 Nm)
 - 慢慢將活動防護罩 (4) 整個往下拉，直到蓋住切割砂輪。
 - 檢查活動防護罩 (4) 的功能是否正常。
- 安裝好切割砂輪之後以及在開動機器之前，必須檢查是否已經正確地安裝好切割片，切割片是否能夠無阻地旋轉。
- 務必確定切割砂輪不會和活動防護罩 (4)、固定的防護罩 (20) 或其它機件產生磨擦。
 - 先讓電動工具運作約 30 秒。
- 如果機器在運轉時出現明顯的震動，必須馬上關閉電動工具，拆除切割砂輪並且重新安裝。

操作

- ▶ 維修電動工具或換裝零、配件之前，務必從插座上拔出插頭。

搬運固定裝置 (請參考圖 C)

搬運固定裝置 (17) 可讓您輕鬆將電動工具搬運至不同工作地點。

解開電動工具的鎖定 (工作位置)

- 從把手 (3) 處將機臂略微往下推，即可解開搬運固定裝置 (17)。
- 將搬運固定裝置 (17) 拉至最外側。
- 將機臂慢慢往上提起。

提示：作業時請注意：請勿將搬運固定裝置往內頂，否則機臂將無法翻旋至所需深度位置。

鎖定電動工具（搬運位置）

- 將機臂往下拉至，能夠將搬運固定裝置 (17) 推至最內側的程度。

關於搬運的進一步提示(參見「搬運」, 頁 38)。

調整水平斜鋸角（請參考圖 D）

水平斜鋸角的調整範圍在 0° 至 45° 之間。角度擋塊 (7) 上已利用對應標記為您標示出重要設定值。0° 以及 45° 位置各有一個限位擋塊，供您確認。

- 使用隨附的內六角扳手 (12) (8 mm) 鬆開角度擋塊的止付螺絲 (16)。
- 調整為所需的角角度，然後將兩個止付螺絲 (16) 重新鎖緊。

移動角度擋塊（請參考圖 D-E）

若您想將工件從寬度超過 140 mm 的工件中分開，可將角度擋塊 (7) 往後移動。

- 使用隨附的內六角扳手 (12) (8 mm) 將止付螺絲 (16) 完全轉出來。
- 將角度擋塊 (7) 往後移動至一個或兩個開孔所需的距離。
- 調整為所需的角角度，然後將兩個止付螺絲 (16) 重新鎖緊。

固定工件

為了確保工作安全，請務必固定好工件。不可以加工太小而無法固定的工件。

固定工件（請參考圖 E）

- 放上工件，讓它貼靠角度擋塊 (7)。
- 將制動螺桿 (8) 推至抵住工件，然後藉由螺桿握把 (10) 將工件夾緊。

將工件（最大橫斷面 40 x 40 mm）固定在工件托架上（請參考圖 F-H）

- 在角度擋塊 (7) 上調整基本斜鋸角 0°。
- 輕輕抬起工件托架 (15) 並將其推入角度擋塊的開縫內。
- 將工件托架的鉤子掛入夾緊鉗口開口中 (14)。
- 將工件放置在工件托架 (15) 上。
- 將制動螺桿 (8) 推至抵住工件，然後藉由螺桿握把 (10) 將工件夾緊。
- 請確保工件托架與夾緊鉗口確實接合，放上工件時也不會傾斜。
- 請確保工件托架上的工件高度最高為 40 mm。更高的工件可能無法確實夾緊。
- 請確保工件托架在使用後完全推回角度擋塊。凸起的鉤子會阻礙工件的夾緊牢固性。

鬆開工件

- 鬆開螺桿握把 (10)。
- 翻開快速解鎖裝置 (9)，並將制動螺桿 (8) 從工件上退開。

操作機器

▶ **注意電源的電壓！** 電源的電壓必須和充電器銘牌上標示的電壓數據一致。標示為 230 V 的充電器亦可接上 220 V 電源。

▶ **開機前，先檢查是否已經正確地安裝好切割砂輪。切割砂輪必須正確地安裝，並可順暢轉動、無磨擦情形。請進行至少 30 秒鐘的無負載試機。切勿使用損壞、變形或轉動時會震動的切割砂輪。** 損壞的切割砂輪可能會破裂並且造成傷害。

加工含鉛的顏料、礦物和金屬時所產生的廢塵有害健康。機器操作者或者工地附近的人如果接觸、吸入這些廢塵，可能會有過敏反應或者感染呼吸道疾病。

某些金屬廢塵被列為危險物質，尤其是與鋅、鋁和鉻等合金結合之後。只有經過專業訓練的人才允許加工含石棉的物料。

- 工作場所要保持空氣流通。
- 建議佩戴 P2 過濾等級的口罩。

請留意並遵守貴國的物料加工相關法規。

底座 (13) 隙縫中的金屬塵屑或工件碎片可能造成切割砂輪卡住而無法運作。

- 關閉電動工具，並且從插座中拔出插頭。
- 靜候，待切割砂輪完全停止旋轉。
- 向後翻轉電動工具，以便讓工件的廢屑從開口中掉落。
- 必要時得使用合適的工具清除所有的工件廢屑。

▶ **避免讓工作場所堆積過多的塵垢。** 塵埃容易被點燃。

操作者的位置

▶ **不可以站在電動工具前而與切割砂輪呈一直線，所站位置應該要保持在切割砂輪的側面。** 這樣在切割砂輪破裂時，才能夠保護您的身體免受碎片割傷。

啟動與關閉（請參考圖 I）

- 若要開始運轉，請先按壓作動安全鎖 (1)。
- 接著，按壓電源開關 (2) 不要放開。

提示：基於安全考量，無法鎖定起停開關 (2) 的位置，所以操作機器時必須持續按住此開關。

- 若要停止運轉，放開起停開關 (2) 即可。

緩速起動

電子控制的緩速起動功能可以限制開機時的扭力，並延長馬達的使用壽命。

作業注意事項

切割時的一般性提示

- 加工後如果切割砂輪尚未冷卻，請勿觸摸。工作時切割砂輪會變得非常灼熱。
- 請確認火花擋板 (21) 已按規定安裝。研磨材料時會有火花噴濺。

保護切割砂輪免受衝撞，切割片要遠離油漬。不可以使用側壓的方式，制止切割砂輪繼續轉動。


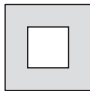
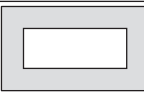
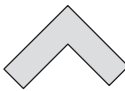
勿讓電動工具因過載而停止轉動。

操作機器時用力過猛，不僅會明顯降低電動工具的功率，並且會縮短切割砂輪的使用壽命。

根據工件選擇合適的切割砂輪。

容許的工件尺寸

最大工件：

工件形狀	水平斜鋸角	
	0°	45°
	直徑 129	直徑 128
	119 x 119	110 x 110
	100 x 196	107 x 115
	130 x 130	115 x 115

最小工件

(= 所有可用制動螺桿 (8) 夾緊固定的工件)：長度 80 mm

最大鋸切深度 (0°/0°)：129 mm

切割金屬

- 請依照需求設為您所想要的水平斜鋸角。
- 根據尺寸固定好工件。
- 啟動電動工具。
- 利用把手 (3) 緩慢地將機臂往下拉。
- 使用均勻的推進力切割工件。
- 關閉電動工具並靜候，讓切割砂輪完全停止轉動。
- 將機臂慢慢往上提起。

搬運

- 一律要從搬運把手 (19) 處提起電動工具。
- ▶ 搬動電動工具時只能使用搬運裝置。不可以利用防護裝置來搬運電動工具。

維修和服務

保養與清潔

- ▶ 維修電動工具或換裝零、配件之前，務必從插座上拔出插頭。
- ▶ 電動工具和通風口都必須保持清潔，這樣才能夠提高工作品質和安全性。

如果必須更換連接線，請務必交由 **Bosch** 或者經授權的 **Bosch** 電動工具顧客服務執行，以避免危害機器的安全性能。

- ▶ 請定期清潔電動工具的通風口。電動機風扇會將灰塵吸進機殼，過多的金屬粉末沉積會導致電氣危險。

- ▶ 在某些極端操作環境下，如有可能請務必使用吸塵裝備。時常將通氣孔上累積的塵垢噴吹乾淨，並在前端加設漏電斷路器 (PRCD)。加工金屬時電動工具內部可能堆積會導電的廢塵。這樣可能會影響電動工具的安全絕緣性能。

- ▶ 維修保養工作僅能交由合格的專業技師來執行。如此才能夠確保本電動工具的安全性。

活動防護罩必須能夠自由來回擺動，並且要能夠自動關閉，所以防護罩的四周必須隨時保持清潔。

配件

產品機號

適用於任何金屬材質的切割砂輪

切割砂輪 355 x 25.4 mm	2 608 600 208
切割砂輪 355 x 25.4 mm	2 608 600 223

顧客服務處和顧客諮詢中心

本公司顧客服務處負責回答有關本公司產品的維修、維護和備用零件的問題。以下的網頁中有分解圖和備用零件相關資料：www.bosch-pt.com

如果對本公司產品及其配件有任何疑問，博世應用諮詢小組很樂意為您提供協助。

當您需要諮詢或訂購備用零件時，請務必提供本產品型號銘牌上 10 位數的產品機號。

台灣

台灣羅伯特博世股份有限公司
 建國北路一段90號6樓
 台北市10491
 電話: (02) 7734 2588
 傳真: (02) 2516 1176
www.bosch-pt.com.tw

製造商地址:

Robert Bosch Power Tools GmbH
 羅伯特·博世電動工具有限公司
 70538 Stuttgart / GERMANY
 70538 斯圖加特/ 德國

以下更多客戶服務處地址：

www.bosch-pt.com/serviceaddresses

廢棄物處理

必須以符合環保的方式，回收再利用損壞的機器、配件和廢棄的包裝材料。



不可以把電動工具丟入一般的家庭垃圾中。

ไทย

กฎระเบียบเพื่อความปลอดภัย

คำเตือนเพื่อความปลอดภัยทั่วไปในการใช้เครื่องมือไฟฟ้า

⚠ คำเตือน อ่านคำเตือนเพื่อความปลอดภัย คำแนะนำ ภาพประกอบ และข้อมูล

จำเพาะทั้งหมดที่จัดส่งมาพร้อมกับเครื่องมือไฟฟ้า

การไม่ปฏิบัติตามคำแนะนำทั้งหมดที่ระบุไว้ด้านล่างนี้อาจทำให้ถูกไฟฟ้าดูด เกิดไฟไหม้ และ/หรือได้รับบาดเจ็บอย่างร้ายแรง

เก็บรักษาคำเตือนและคำสั่งทั้งหมดสำหรับเปิดอ่านในภายหลัง

คำว่า "เครื่องมือไฟฟ้า" ในคำเตือนหมายถึง เครื่องมือไฟฟ้าของท่านที่ทำงานด้วยพลังงานไฟฟ้าจากแหล่งจ่ายไฟหลัก (มีสายไฟฟ้า) และเครื่องมือไฟฟ้าที่ทำงานด้วยพลังงานไฟฟ้าจากแบตเตอรี่ (ไร้สาย)

ความปลอดภัยในสถานที่ทำงาน

- ▶ **รักษาสถานที่ทำงานให้สะอาดและมีไฟส่องสว่างดี** สถานที่ที่มีมืดหรือรกรุงรังนำมาซึ่งอุบัติเหตุ
- ▶ **อย่าใช้เครื่องมือไฟฟ้าทำงานในสภาพบรรยากาศที่จุดติดไฟได้ เช่น ในที่มีมีของเหลวไวไฟ ก๊าซ หรือฝุ่น** เมื่อใช้เครื่องมือไฟฟ้าจะเกิดประกายไฟซึ่งอาจจุดฝุ่นหรือไอให้ลุกเป็นไฟได้
- ▶ **ขณะใช้เครื่องมือไฟฟ้าทำงาน ต้องกันเด็กและผู้ยี่นดูให้ออกห่าง** การหันเหความสนใจอาจทำให้ท่านขาดการควบคุมเครื่องมือได้

ความปลอดภัยเกี่ยวกับไฟฟ้า

- ▶ **ปลั๊กของเครื่องมือไฟฟ้าต้องเหมาะสมพอดีกับเต้าเสียบ** อย่าตัดแปลงปลั๊กไม่ว่าในลักษณะใดๆ อย่างเด็ดขาด อย่าใช้ปลั๊กพ่วงต่อใดๆ กับเครื่องมือไฟฟ้าที่มีสายดิน ปลั๊กที่ไม่ตัดแปลงและเต้าเสียบที่เข้ากันช่วยลดความเสี่ยงจากการถูกไฟฟ้าดูด
- ▶ **หลีกเลี่ยงอย่าให้ร่างกายสัมผัสกับพื้นผิวที่ต่อสายดินหรือลงกราวด์ไว้ เช่น ท่อ เครื่องทำความร้อน เตา และตู้เย็น** จะเสี่ยงอันตรายจากการถูกไฟฟ้าดูดมากขึ้นหากกระแสไฟฟ้าวิ่งผ่านร่างกายของท่านลงดิน

- ▶ **อย่าให้เครื่องมือไฟฟ้าถูกฝนหรืออยู่ในสภาพเปียกชื้น** หากน้ำเข้าในเครื่องมือไฟฟ้า จะเพิ่มความเสี่ยงจากการถูกไฟฟ้าดูด
- ▶ **อย่าใช้สายไฟฟ้าในทางที่ผิด** อย่าใช้สายไฟฟ้าเพื่อยก ดึง หรือถอดปลั๊กเครื่องมือไฟฟ้า กันสายไฟฟ้าออกจากความร้อน น้ำมัน ขอบแหลมคม หรือชิ้นส่วนที่เคลื่อนที่ สายไฟฟ้าที่ชำรุดหรือพันกันยุ่งเพิ่มความเสี่ยงจากการถูกไฟฟ้าดูด
- ▶ **เมื่อใช้เครื่องมือไฟฟ้าทำงานกลางแจ้ง ให้ใช้สายไฟต่อที่เหมาะสมสำหรับการใช้งานกลางแจ้ง** การใช้สายไฟต่อที่เหมาะสมสำหรับงานกลางแจ้งช่วยลดอันตรายจากการถูกไฟฟ้าดูด
- ▶ **หากไม่สามารถหลีกเลี่ยงการใช้เครื่องมือไฟฟ้าทำงานในสถานที่เปียกชื้นได้ ให้ใช้สวิตซ์ตัดวงจรเมื่อเกิดการรั่วไหลของไฟฟ้าจากสายดิน (RCD)** การใช้สวิตซ์ตัดวงจรเมื่อเกิดการรั่วไหลของไฟฟ้าจากสายดินช่วยลดความเสี่ยงต่อการถูกไฟฟ้าดูด

ความปลอดภัยของบุคคล

- ▶ **ท่านต้องอยู่ในสภาพเตรียมพร้อม ระมัดระวังในสิ่งที่ท่านกำลังทำอยู่ และมีสติขณะใช้เครื่องมือไฟฟ้าทำงาน** อย่าใช้เครื่องมือไฟฟ้าขณะที่ท่านกำลังเหนื่อย หรืออยู่ภายใต้การครอบงำของฤทธิ์ของยาเสพติด แอลกอฮอล์ และยา เมื่อใช้เครื่องมือไฟฟ้าทำงานในช่วงเวลาที่ท่านขาดความเอาใจใส่อาจทำให้บุคคลบาดเจ็บอย่างรุนแรงได้
- ▶ **ใช้อุปกรณ์ปกป้องร่างกาย สวมแว่นตาป้องกันเสมอ** อุปกรณ์ปกป้อง เช่น หนากากกันฝุ่น รองเท้ากันลื่น หมวกแข็ง หรือประคบทุกชิ้นเสียดังที่ใช้อย่างเหมาะสมกับสภาพการทำงาน จะลดการบาดเจ็บทางร่างกาย
- ▶ **ป้องกันการติดเครื่องโดยไม่ตั้งใจ ตรวจสอบให้แน่ใจว่าสวิตซ์อยู่ในตำแหน่งปิดก่อนเชื่อมต่อเข้ากับแหล่งจ่ายไฟ และ/หรือแบตเตอรี่แพ็ค ยกหรือถือเครื่องมือการถือเครื่องโดยใช้นิ้วหัวที่สวิตซ์ หรือเสียบปลั๊กไฟฟ้าขณะสวิตซ์เปิดอยู่ อาจนำไปสู่อุบัติเหตุที่ร้ายแรงได้**
- ▶ **นำเครื่องมือปรับแต่งหรือประแจปากตายออกก่อนเปิดสวิตซ์เครื่องมือไฟฟ้า** เครื่องมือหรือประแจปากตายที่วางอยู่กับส่วนของเครื่องที่กำลังหมุนจะทำให้บุคคลบาดเจ็บได้
- ▶ **อย่าเอื้อมไกลเกินไป** ตั้งทำขึ้นที่มั่นคงและวางน้ำหนักให้สมดุลตลอดเวลา ในลักษณะนี้ท่านสามารถควบคุมเครื่องมือไฟฟ้าในสถานการณ์ที่ไม่คาดคิดได้ดีกว่า
- ▶ **แต่งกายอย่างเหมาะสม** อย่าใส่เสื้อผ้าหลวมหรือสวมเครื่องประดับ เหน็บและเสื้อผ้ออกห่างจากชิ้นส่วนที่

เคลื่อนที่ เลื่อนผ้าหวม เครื่องประดับ และผม ยาวอาจเข้าไปติดในชิ้นส่วนที่เคลื่อนที่

- ▶ หากเครื่องมือไฟฟ้ามีข้อเชื่อมต่อกับเครื่องดูดฝุ่นหรือเครื่องเก็บผง ให้ตรวจสอบให้แน่ใจว่าได้เชื่อมต่อและใช้งานอย่างถูกต้อง การใช้อุปกรณ์ดูดฝุ่นช่วยลดอันตรายที่เกิดจากฝุ่นได้
- ▶ เมื่อใช้งานเครื่องมือขบหรือเครื่องจะเกิดความคุ้นเคย อย่าให้ความคุ้นเคยทำให้ท่านเกิดความชะล่าใจและละเลยกฎเกณฑ์ด้านความปลอดภัยในการใช้งานเครื่อง การทำงานอย่างไม่ระมัดระวังอาจทำให้เกิดการบาดเจ็บอย่างร้ายแรงภายในเสี้ยววินาที

การใช้และการดูแลรักษาเครื่องมือไฟฟ้า

- ▶ อย่างผืนกำลังเครื่องมือไฟฟ้า ใช้เครื่องมือไฟฟ้าที่ถูกต้องตรงตามลักษณะงานของท่าน เครื่องมือไฟฟ้าที่ถูกต้องจะทำงานได้ดีกว่าและปลอดภัยกว่าในระดับสมรรถภาพที่ออกแบบไว้
- ▶ อย่าใช้เครื่องมือไฟฟ้าถ้าสวิตช์ไม่สามารถเปิดปิดได้ เครื่องมือไฟฟ้าที่ไม่สามารถควบคุมการเปิดปิดด้วยสวิตช์ได้ เป็นเครื่องมือไฟฟ้าที่ไม่ปลอดภัยและต้องส่งซ่อมแซม
- ▶ ก่อนปรับแต่งเครื่อง เปลี่ยนอุปกรณ์ประกอบ หรือเก็บเครื่องเข้าที่ ต้องถอดปลั๊กออกจากแหล่งจ่ายไฟ และ/หรือถอดแบตเตอรี่แพ็คเกจออกจากเครื่องมือไฟฟ้าหากถอดออกได้
- ▶ มาตรการป้องกันเพื่อความปลอดภัยนี้ช่วยลดความเสี่ยงจากการติดเครื่องโดยไม่ได้ตั้งใจ
- ▶ เมื่อเลิกใช้งานเครื่องมือไฟฟ้า ให้เก็บเครื่องไว้ในที่ที่เด็กหยิบไม่ถึง และไม่อนุญาตให้บุคคลที่ไม่คุ้นเคยกับเครื่องหรือบุคคลที่ไม่ได้อ่านคำแนะนำเหล่านี้ใช้เครื่องมือไฟฟ้าเป็นของอันตรายหากตกอยู่ในมือของผู้ใช้ที่ไม่ได้รับการฝึกฝน
- ▶ บำรุงรักษาเครื่องมือไฟฟ้าและอุปกรณ์ประกอบ ตรวจสอบชิ้นส่วนที่เคลื่อนที่ว่าวางไม่ตรงแนวหรือติดขัดหรือไม่ ตรวจสอบการแตกหักของชิ้นส่วนและสภาพอื่นใดที่อาจมีผลต่อการทำงานของเครื่องมือไฟฟ้า หากชำรุดต้องส่งเครื่องมือไฟฟ้าไปซ่อมแซมก่อนใช้งาน อุบัติเหตุหลายอย่างเกิดขึ้นเนื่องจากดูแลรักษาเครื่องไม่ดีพอ
- ▶ รักษาเครื่องมือตัด ให้คมและสะอาด หากบำรุงรักษาเครื่องมือที่มีขอบตัดแหลมคมอย่างถูกต้อง จะสามารถตัดได้ลื่นไม่ติดขัดและควบคุมได้ง่ายกว่า
- ▶ ใช้เครื่องมือไฟฟ้า อุปกรณ์ประกอบ เครื่องมือ และอุปกรณ์อื่น ๆ ตรงตามคำแนะนำเหล่านี้ โดยคำนึงถึงเงื่อนไขการทำงานและงานที่จะทำ การใช้เครื่อง

มือไฟฟ้าทำงานที่ต่างไปจากวัตถุประสงค์การใช้งานของเครื่อง อาจนำไปสู่สถานการณ์ที่เป็นอันตรายได้

- ▶ ดูแลคัมจับและพื้นผิวจับให้แห้ง สะอาด และปราศจากคราบน้ำมันและจาระบี คัมจับและพื้นผิวจับที่ลื่นทำให้หือจับได้ไม่ปลอดภัย และไม่สามารถควบคุมเครื่องมือในสถานการณ์ที่ไม่คาดคิด

การบริการ

- ▶ ส่งเครื่องมือไฟฟ้าของท่านเข้ารับบริการจากช่างซ่อมที่มีคุณสมบัติเหมาะสม โดยใช้อะไหล่ที่เหมือนกันเท่านั้น ในลักษณะที่ท่านจะแน่ใจได้ว่าเครื่องมือไฟฟ้าอยู่ในสภาพที่ปลอดภัย

คำแนะนำเพื่อความปลอดภัยสำหรับแท่นตัดไฟเบอร์

- ▶ ตัวท่านเองและบุคคลที่อยู่ใกล้เคียงต้องอยู่ห่างจากระนาบของจานที่หมุน กระบังป้องกันช่วยปกป้องผู้ใช้งานจากเศษจานที่แตกหักและการสัมผัสกับจานโดยไม่ตั้งใจ
- ▶ ใช้เฉพาะจานตัดเชื่อมประสานแบบเสริมแรงสำหรับเครื่องมือไฟฟ้าของท่านเท่านั้น แม้ว่าอุปกรณ์ประกอบจะสามารถยึดติดกับเครื่องมือไฟฟ้าของท่านได้ แต่ก็ไม่รับประกันว่าจะใช้งานได้อย่างปลอดภัย
- ▶ ความเร็ว รอบกำหนดของอุปกรณ์ประกอบต้องเท่ากับความเร็วรอบสูงสุดที่ระบุไว้บนเครื่องมือไฟฟ้าเป็นอย่างน้อย อุปกรณ์ประกอบที่หมุนเร็วกว่าความเร็วรอบกำหนดของตัวเองอาจแตกและกระเด็นออกเป็นชิ้นๆ
- ▶ ต้องใช้จานสำหรับการใช้งานที่แนะนำเท่านั้น ตัวอย่าง: อย่าใช้ด้านข้างของจานตัดออกเพื่อเจียรชิ้นงาน จานตัดออกผลิตไว้เพื่อให้ใช้ตรงขอบนอกของจานขัดวัสดุแรงดันข้างที่ตกลงบนแผ่นจานอาจทำให้จานแตกและเสียหายได้
- ▶ ใช้หน้าแปลนรองรับที่ไม่ชำรุดที่มีขนาดเส้นผ่าศูนย์กลางที่ถูกต้องสำหรับจานที่ท่านเลือกเสมอ หน้าแปลนรองรับที่ถูกต้องจะหนุนจาน และด้วยเหตุนี้จึงลดการแตกหักของจาน
- ▶ เส้นผ่าศูนย์กลางรอบนอกและความหนาของอุปกรณ์ประกอบของท่านต้องอยู่ในพิสัยความสามารถของเครื่องมือไฟฟ้าของท่าน อุปกรณ์ประกอบที่ผิดขนาดจะไม่ได้รับการปกป้องและควบคุมอย่างเพียงพอ
- ▶ ขนาดรูแกนของจานและหน้าแปลนต้องพอดีกับเพลลาของเครื่องมือไฟฟ้า จานและหน้าแปลนที่มีขนาดรูแกนไม่พอดีกับตัวยึดของเครื่องมือไฟฟ้าจะวิ่งเยื้องศูนย์กลาง สั่นตัวแรงเกินไป และอาจทำให้สูญเสียการควบคุม

- ▶ **อย่าใช้จันที่ชำรุด** ก่อนใช้งานทุกครั้ง ให้ตรวจสอบจันเพื่อหารอยบิ่นและรอยแตก หากเครื่องมือไฟฟ้าหรือจันแตกหัก ให้ตรวจสอบความเสียหายหรือติดตั้งจันที่ไม่ชำรุด หลังจากตรวจสอบและติดตั้งจันแล้วตัวท่านเองและบุคคลที่อยู่ใกล้เคียงต้องอยู่ห่างจากระนาบของจันที่หมุน และปล่อยเครื่องมือไฟฟ้าเดินตัวเปล่าที่ความเร็วสูงสุดนานหนึ่งนาที ตามปกติจันที่ชำรุดจะแตกหักในช่วงเวลาทดสอบนี้
- ▶ **สวมอุปกรณ์ป้องกันเฉพาะตัว ให้ใช้กระบังป้องกันหน้า แวนตากันลมและฝุ่น** หรือแว่นตาป้องกันอันตรายโดยขึ้นอยู่กับลักษณะการทำงาน สวมหมวกกันน็อก ประคบหูกันเสียงดัง ถุงมือ และหน้ากากเป็นสำหรับช่างที่สามารถกันผงขัดหรือเศษชิ้นงานขนาดเล็กตามความเหมาะสม แวนป้องกันตาต้องสามารถหยุดเศษผงที่ปลิวว่อนที่เกิดจากการทำงานแบบต่างๆ ได้ หน้ากากกันฝุ่นหรืออุปกรณ์ป้องกันระบบหายใจต้องสามารถกรองอนุภาคที่เกิดจากการทำงานของท่านได้ การได้ยินเสียงดังมากเป็นเวลานานอาจทำให้ท่านสูญเสียการได้ยิน
- ▶ **กันบุคคลที่อยู่ใกล้เคียงให้อยู่ในระยะปลอดภัยห่างจากบริเวณทำงาน** บุคคลใดที่เข้ามายังบริเวณทำงานต้องสวมอุปกรณ์ป้องกันเฉพาะตัว สะเก็ดชิ้นงานหรือจันที่แตกหักอาจปลิวกระเด็นออกมาและทำให้ได้รับบาดเจ็บในระยะใกล้เคียงกับพื้นที่ปฏิบัติงานได้
- ▶ **จับสายไฟที่ออกจากอุปกรณ์ประกอบที่กำลังหมุน** หากท่านสูญเสียการควบคุม สายไฟอาจถูกตัดหรือพันกัน และมือหรือแขนของท่านอาจถูกดูดเข้าไปในจันที่กำลังหมุน
- ▶ **ทำความสะอาดช่องระบายอากาศของเครื่องมือไฟฟ้าอย่างสม่ำเสมอ** พัดลมของมอเตอร์สามารถดูดฝุ่นเข้าไปภายในครอบเครื่อง และการสะสมที่มากเกินไปของโลหะผงอาจก่อให้เกิดอันตรายจากกระแสไฟฟ้า
- ▶ **อย่าใช้เครื่องมือไฟฟ้าทำงานใกล้วัตถุติดไฟได้** อย่าใช้เครื่องมือไฟฟ้าทำงานในขณะที่วางอยู่บนพื้นผิวที่ติดไฟได้ เช่น ไม้ ประกายไฟสามารถจุดวัสดุเหล่านี้ให้ลุกเป็นไฟ
- ▶ **อย่าใช้อุปกรณ์ประกอบที่ต้องใช้สารหล่อเย็นที่เป็นของเหลว** การใช้หรือสารหล่อเย็นอื่นๆ ที่เป็นของเหลวอาจทำให้กระแสไฟฟ้าวิ่งผ่านเข้าตัวจนเสียชีวิตหรือถูกไฟฟ้าดูดได้

การตีกลับและคำเตือนเกี่ยวเนื่อง

การตีกลับคือแรงสะท้อนกระทันหันที่เกิดจากจันเกิดบิตหรือถูกเหนี่ยวรั้งขณะกำลังหมุน การบิตหรือการเหนี่ยวรั้งทำให้

จันที่กำลังหมุนหยุดกระทันหัน ด้วยเหตุนี้เครื่องตัดที่ขาดการควบคุมจึงถูกผลักขึ้นไปยังผู้ใช้งาน

ตัวอย่าง เช่น หากจันขัดถูกเหนี่ยวรั้งหรือบิตโดยชิ้นงานขอบของจันขัดที่จิม้อยู่ในจุดบิตอาจขูดเข้าไปในพื้นผิวของชิ้นงาน ทำให้จันขัดบิตออกหรือผลัดตัวออกมาในสถานการณ์เช่นนี้จันขัดอาจแตกหักได้ด้วยการตีกลับเป็นผลจากการใช้เครื่องมือไฟฟ้าในทางที่ผิด และ/หรือมีกระบวนการหรือเงื่อนไขการทำงานที่ไม่ถูกต้อง และสามารถหลีกเลี่ยงได้ด้วยการป้องกันไว้ก่อนอย่างถูกต้องตั้งระยะไว้ด้านล่างนี้

- ▶ **จับเครื่องมือไฟฟ้าให้แน่น และตั้งตัวและแขนของท่านให้สามารถต้านแรงตีกลับได้** ผู้ใช้งานสามารถควบคุมแรงตีกลับขึ้นหากได้เตรียมตัวป้องกันไว้ก่อนอย่างถูกต้อง
- ▶ **อย่าให้ร่างกายของท่านอยู่ในแนวเดียวกันกับจันที่หมุน** หากเกิดการตีกลับ การตีกลับจะผลักเครื่องตัดขึ้นไปยังผู้ใช้งาน
- ▶ **อย่าติดตั้งโซ่เลื่อย ใบมีดแกะสลักไม้ จันตัดเพชรเซกเมนต์ที่มีระยะห่างที่เส้นรอบวงมากกว่า 10 มม. หรือใบเลื่อยแบบมีฟัน** ใบเลื่อยเหล่านี้ทำให้เกิดการตีกลับและสูญเสียการควบคุมบ่อยครั้ง
- ▶ **อย่า “บีบอัด” จันหรือออกแรงกดมากเกินไป** อย่าพยายามตัดลึกมากเกินไป การออกแรงกดจันลงมากเกินไป จะเพิ่มแรงกดที่จันและอาจทำให้จันบิตหรือตัดขัดในร่องตัดได้ง่ายขึ้น และยิ่งเพิ่มความเสี่ยงในการตีกลับหรือทำให้จันแตกหักได้
- ▶ **เมื่อจันติดขัด หรือเมื่อการตัดถูกขัดจังหวะด้วยเหตุผลใดๆ ให้บิตส่วหัวเครื่องมือไฟฟ้า และถือเครื่องตัดไว้** อย่าได้เคลื่อนไหวจนกว่าจันจะหยุดนิ่งอยู่กับที่ อย่าพยายามนำจันออกจากร่องตัดในขณะที่จันกำลังเคลื่อนที่ มิฉะนั้นอาจเกิดการตีกลับ ตรวจ สอบและแก้ไขเพื่อจัดสภาพตัดที่ทำให้จันติดขัด
- ▶ **อย่าเริ่มตัดในชิ้นงานอีกครั้ง** ปล่อยให้จันหมุนถึงความเร็วเต็มที่ก่อน จากนั้นจึงเริ่มตัดอีกครั้งอย่างระมัดระวัง จันอาจติดขัด กระโดดขึ้น หรือตีกลับ หากเปิดเครื่องมือไฟฟ้าทำงานอีกครั้งในชิ้นงาน
- ▶ **หมุนชิ้นงานที่มีขนาดใหญ่เกินไปเพื่อลดความเสี่ยงที่จันจะติดขัดและเกิดการตีกลับ** ชิ้นงานขนาดใหญ่มักจะห้อยหย่อนตามความถ่วงน้ำหนักของตัวชิ้นงานเอง ต้องสอดแผ่นหมุนได้ชิ้นงานทั้งสองด้าน ทั้งใกล้เส้นตัดและใกล้ขอบของชิ้นงาน

คำแนะนำเพื่อความปลอดภัยเพิ่มเติม

- ▶ **จัดเก็บเครื่องมือไฟฟ้าที่ไม่ได้ใช้งานไว้อย่างปลอดภัย** สถานที่เก็บรักษาต้องแห้งและบิตล็อคได้ ในลักษณะนี้จะป้องกันไม่ให้เครื่องได้รับความเสียหายจากการ



เก็บรักษา และจากการถูกนำไปใช้งานโดยผู้ที่ไม่ได้รับการฝึกฝน

- ▶ **หมิ่นขืนงานให้แน่นเสมอ อย่าตัดขืนงานที่มีขนาดเล็กมากจนยึดหมิ่นไม่ได้** มิฉะนั้นช่องว่างระหว่างมือของท่านและจานตัดที่กำลังหมุนอยู่จะแคบเกินไป
- ▶ **ตรวจสอบสายไฟฟ้าเป็นประจำ และส่งสายไฟฟ้าที่ชำรุดไปซ่อมแซมที่ศูนย์บริการลูกค้าที่ได้รับมอบหมายสำหรับเครื่องมือไฟฟ้า บอช เท่านั้น** เปลี่ยนสายไฟต่อพ่วงที่ชำรุด ในลักษณะนี้ท่านจะแน่ใจได้ว่าเครื่องมือไฟฟ้าอยู่ในสภาพที่ปลอดภัย
- ▶ **อย่ายืนบนเครื่องมือไฟฟ้าอย่างเด็ดขาด** การบาดเจ็บอย่างร้ายแรงอาจเกิดขึ้นได้เมื่อเครื่องมือไฟฟ้าพลิกคว่ำ หรือเมื่อไปสัมผัสกับใบเลื่อยโดยไม่เจตนา
- ▶ **ใช้กระบังป้องกันอันตรายเสมอ** กระบังป้องกันอันตรายช่วยปกป้องผู้ใช้งานจากชิ้นส่วนจานตัดที่แตกหักและจากการสัมผัสกับจานตัดโดยไม่เจตนา
- ▶ **หลังปิดสวิตช์ อย่าเบรกจานตัดให้หยุดวิ่งโดยการกดลงด้านข้าง** จานตัดอาจชำรุด แตกหัก หรือทำให้เกิดการตีกลับได้
- ▶ **อย่าปล่อยมือจากเครื่องจนกว่าเครื่องจะหยุดสนิทแล้ว** เครื่องมีोटตัดที่ยังวิ่งอยู่อาจทำให้บาดเจ็บได้

สัญลักษณ์

สัญลักษณ์ต่อไปนี้มีความสำคัญต่อการใช้เครื่องมือไฟฟ้าของท่าน กรุณาจดจำสัญลักษณ์และความหมาย การแปลความสัญลักษณ์ใดถูกต้องจะช่วยให้ท่านใช้เครื่องมือไฟฟ้าได้ดีและปลอดภัยกว่า

สัญลักษณ์และความหมายของสัญลักษณ์	
	สวมแว่นตาป้องกันอันตราย
	สวมอุปกรณ์ป้องกันเสียง การรับฟังเสียงดังอาจทำให้สูญเสียการได้ยิน
	สวมหน้ากากป้องกันฝุ่น

สัญลักษณ์และความหมายของสัญลักษณ์	
	อย่าเอามือของท่านเข้าไปในบริเวณตัดขณะเครื่องกำลังวิ่งอยู่ อันตรายจากการบาดเจ็บเมื่อไปสัมผัสกับใบตัด
	สวมถุงมือป้องกัน จานตัดมีขอบแหลมคมและจะร้อนมากขณะทำงาน

รายละเอียดผลิตภัณฑ์และข้อมูล

จำเพาะ



อ่านคำเตือนเพื่อความปลอดภัยและคำแนะนำทั้งหมด การไม่ปฏิบัติตามคำเตือนและคำสั่งอาจเป็นสาเหตุให้ถูกไฟฟ้าดูด เกิดไฟไหม้และ/หรือได้รับบาดเจ็บอย่างร้ายแรง

กรุณาดูภาพประกอบในส่วนหน้าของคู่มือการใช้งาน

ประโยชน์การใช้งานของเครื่อง

เครื่องนี้ใช้สำหรับตัดวัสดุที่เป็นโลหะด้วยจานตัด สามารถตัดเป็นแนวเส้นตรงทั้งตามยาวและตามขวาง และตัดเป็นมุมภายในแนวนอนได้ถึง 45° โดยไม่ใช้น้ำ เครื่องนี้ตั้งอยู่ประจำที่ห้ามใช้จานตัดเพชร

ส่วนประกอบที่แสดงภาพ

ลำดับเลขของส่วนประกอบผลิตภัณฑ์อ้างอิงถึงส่วนประกอบของเครื่องที่แสดงในหน้าภาพประกอบ

- (1) ปุ่มล๊อคไม่ให้สวิตช์เปิด-ปิดทำงาน
- (2) สวิตช์เปิด-ปิด
- (3) ด้ามจับ
- (4) กระบังป้องกันใบเลื่อยชนิดชักกรันได้
- (5) ล็อคแกน
- (6) จานตัด
- (7) ฉากหยุดมุม
- (8) เฟลาเลื่อนอัตโนมัติ
- (9) ก้านปลดเร็ว
- (10) คันจับเฟลา
- (11) รูสำหรับติดตั้ง
- (12) ประแจขันทกเหลี่ยม (8 มม.)
- (13) แผ่นฐาน
- (14) ก้ามหนีบ

- (15) แท่นรองรับชิ้นงานสำหรับชิ้นงานที่มีหน้าตัดสูงสุด 40 x 40 มม.
- (16) สกรูล็อคสำหรับฉากหยุดมุม
- (17) ล็อคนิรภัยสำหรับขนย้าย
- (18) แชนเครื่องมือ
- (19) คันจับขนย้าย
- (20) กระจับป้องกัน
- (21) กระจับป้องกันประกายไฟ
- (22) แกนเครื่องมือ
- (23) หน้าแปลนยึด
- (24) ประเก็นวงแหวน
- (25) สกรูหกเหลี่ยม

ข้อมูลทางเทคนิค

แท่นตัดไฟเบอร์		GCO 14-24 J
หมายเลขสินค้า		3 601 M37 2..
กำลังไฟฟ้าที่ติดตั้ง	วัตต์	2400
ความเร็วรอบเดินตัวเปล่า	นาที ⁻¹	3800
การสแตร์ที่แบบหมุนวน		●
น้ำหนักตามระเบียบการ EPTA-Procedure 01:2014	กก.	18,0
ระดับความปลอดภัย		□/

ขนาดชิ้นงานที่อนุญาต (สูงสุด/ต่ำสุด): ขนาดชิ้นงานที่อนุญาต ค่าที่ให้นี้ใช้ได้กับแรงดันไฟฟ้าแอมป์ [U] 230 โวลต์ ค่าเหล่านี้ อาจเปลี่ยนแปลงไปสำหรับแรงดันไฟฟ้าที่แตกต่างกัน และโมเดลที่ผลิตสำหรับเฉพาะประเทศ

ขนาดจานตัดที่เหมาะสม		
เส้นผ่าศูนย์กลางจานตัดสูงสุด	มม.	355
ความหนาสูงสุดของจานตัด	มม.	3
เส้นผ่าศูนย์กลางรูประกอบ	มม.	25.4

การติดตั้ง

- ▶ **หลีกเลี่ยงอย่าให้เครื่องตัดขึ้นเองโดยไม่ตั้งใจ ขณะติดตั้งและเมื่อทำการปรับแต่งใดๆ ที่เครื่องมือไฟฟ้า ต้องไม่ต่อปลั๊กไฟฟ้าเข้ากับแหล่งจ่ายไฟฟ้าหลัก**

รายการสิ่งของที่จัดส่ง

นำชิ้นส่วนทั้งหมดที่จัดส่งมาออกจากหีบห่ออย่างระมัดระวัง

นำวัสดุบรรจุภัณฑ์ทั้งหมดออก

จากเครื่องและอุปกรณ์ประกอบที่จัดส่งมา

ก่อนใช้เครื่องมือไฟฟ้าทำงานเป็นครั้งแรกให้ตรวจสอบว่าชิ้นส่วนทั้งหมดที่ระดับด้านล่างนี้ได้จัดส่งมาด้วยหรือไม่:

- แท่นตัดไฟเบอร์พร้อมจานตัดประกอบมาแล้ว
- ประแจขันหกเหลี่ยม (12)

หมายเหตุ: ตรวจสอบเครื่องมือไฟฟ้าเพื่อหาจุดชำรุดที่อาจมีก่อนใช้เครื่องมือไฟฟ้าต่อไปต้องตรวจสอบอุปกรณ์ป้องกันอันตรายว่าทำงานอย่างถูกต้องหรือไม่ ส่วนชำรุดเล็กน้อยใดๆ ต้องได้รับการตรวจสอบอย่างละเอียดถี่ถ้วนเพื่อจะได้มั่นใจว่าเครื่องจะทำงานได้อย่างไม่มีข้อบกพร่อง ตรวจสอบชิ้นส่วนที่เคลื่อนไหวว่าทำงานอย่างถูกต้องและติดขัดหรือไม่ หรือมีชิ้นส่วนเสียหายหรือไม่ ชิ้นส่วนทั้งหมดต้องติดตั้งอย่างถูกต้องและตรงตามเงื่อนไขทั้งหมดเพื่อให้แน่ใจว่าจะทำงานได้อย่างไม่ผิดพลาด ท่านต้องส่งเครื่องไปยังโรงซ่อมที่เชี่ยวชาญและบันทึกข้อมูลรับเพื่อทำการซ่อมแซมหรือเปลี่ยนอุปกรณ์ป้องกันอันตรายและชิ้นส่วนที่เสียหายอย่างถูกต้อง

การติดตั้งแบบประจำที่หรือแบบคล่องตัว

- ▶ **เพื่อควบคุมเครื่องมือให้ได้อย่างปลอดภัย ก่อนใช้งานต้องติดตั้งเครื่องบนพื้นผิวที่มั่นคงและราบเสมอกัน (ต. ย. เช่น โต๊ะทำงานของช่าง)**

การติดตั้งบนพื้นที่ทำงาน (ดูภาพประกอบ A)

- ยึดเครื่องมือไฟฟ้าเข้ากับพื้นผิวทำงานด้วยสกรูยึดที่เหมาะสม สำหรับการติดตั้งให้ใช้ **(11)**

การติดตั้งแบบคล่องตัว (ไม่แนะนำ!)

ในกรณีพิเศษที่ไม่สามารถติดตั้งเครื่องมือไฟฟ้าบนพื้นผิวทำงานได้อย่างมั่นคง ท่านสามารถจัดวางขาของแผ่นฐาน **(13)** บนฐานที่เหมาะสมเป็นการชั่วคราว (เช่น โต๊ะทำงานของช่าง พื้นราบ ฯลฯ) โดยไม่ต้องขันเครื่องมือไฟฟ้าให้แน่น

การเปลี่ยนจานตัด (ดูภาพประกอบ B1-B2)

- ▶ **ดึงปลั๊กไฟออกจากเต้าเสียบก่อนปรับแต่งเครื่อง**
- ▶ **กดล็อคแกน (5) เฉพาะเมื่อแกนเครื่องมือหยุดสนิทแล้วเท่านั้น (22).** มิฉะนั้นเครื่องมือไฟฟ้าอาจชำรุดได้
- ▶ **หลังทำงานเสร็จ อย่าสัมผัสจานตัดจนกว่าจะเย็นลง** จานตัดจะร้อนขึ้นมากขณะทำงาน

ใช้เฉพาะจานตัดที่มีคุณสมบัติสอดคล้องกับข้อมูลที่ระบุไว้ในหนังสือคู่มือการใช้งานเล่มนี้ และที่ผ่านการทดสอบและทำเครื่องหมายตาม EN 12413

ใช้แผ่นรองเสริมที่อาจจัดส่งมาพร้อมกับจานตัด

วางจานตัดที่ไม่ได้ใช้ไว้ในภาชนะที่ปิดแน่นหนาหรือในบรรจุภัณฑ์เดิม จัดเก็บจานตัดโดยวางจานให้ราบ

การถอดจานตัด

- จัดเครื่องมือไฟฟ้าให้อยู่ในตำแหน่งทำงาน
- หมุนกระบังป้องกันใบเลื่อยชนิดชักรันได้ (4) ไปทางด้านหลังจนสุด
- หมุนสกรูหกเหลี่ยม (25) ด้วยประแจขันหกเหลี่ยมที่จัดส่งมา (12) และในขณะที่เดียวกันให้กดล็อกแกน (5) จนขบเข้าที่
- กดล็อกแกนค้างไว้และหมุนสกรูหกเหลี่ยม (25) ออก
- ถอดแหวนรอง (24) และหน้าแปลนยึด (23) ออก
- ถอดจานตัด (6) ออก

การประกอบจานตัด

ก่อนทำการติดตั้งให้ทำความสะอาดชิ้นส่วนที่จะติดตั้งทั้งหมด หากจำเป็น

- วางจานตัดใหม่บนแกนเครื่องมือ (22), เพื่อให้สติกเกอร์ซีออกจากแกนเครื่องมือ
- สวมล้อยึด (23) แหวนรอง (24) และสกรูหกเหลี่ยม (25) เข้าไป กดล็อกแกน (5) จนล็อกแกนขบที่เข้า และขันสกรูหกเหลี่ยม (25) ในทิศทางตามเข็มนาฬิกากลับเข้าให้แน่นอีกครั้ง (แรงบิดในการขันประมาณ 18–20 Nm)
- นำกระบังป้องกันใบเลื่อยชนิดชักรันได้ (4) ลงอย่างช้าๆ จนจานตัดถูกรอบอย่างสมบูรณ์อีกครั้ง
- ตรวจสอบให้แน่ใจว่ากระบังป้องกันใบเลื่อยชนิดชักรัน (4) ทำงานอย่างถูกต้อง

หลังจากติดตั้งจานตัดและก่อนเปิดสวิตช์ ต้องตรวจสอบให้แน่ใจว่าจานตัดติดตั้งอย่างถูกต้องและสามารถหมุนได้โดยไม่ติดขัด

- ตรวจสอบให้แน่ใจว่า จานตัดไม่สัมผัสกับใบเลื่อยชนิดชักรัน (4), ที่กระบังป้องกันซึ่งติดตั้งอยู่ (20) หรือส่วนประกอบอื่นๆ
- วังเครื่องนานประมาณ 30 วินาที หากมีการสั่นอย่างเด่นชัด ให้เปิดสวิตช์เครื่องในทันที ถอดจานตัด และติดตั้งเข้าไปใหม่อีกครั้ง

การปฏิบัติงาน

▶ ดึงปลั๊กไฟออกจากเต้าเสียบก่อนปรับแต่งเครื่อง

ล็อกนิรภัยสำหรับขนย้าย (ดูภาพประกอบ C)

ล็อกนิรภัยสำหรับขนย้าย (17) ทำให้สามารถจับถือเครื่องมือไฟฟ้าได้สะดวกเมื่อขนย้ายไปยังสถานที่ทำงานต่างๆ

การปลดล็อกเครื่องมือไฟฟ้า (ตำแหน่งทำงาน)

- ดันแขนเครื่องมือตรงตามจับ (3) ลงเล็กน้อยเพื่อคลายล็อกนิรภัยสำหรับขนย้าย (17)
- ดึงล็อกนิรภัยสำหรับขนย้าย (17) ออกมาด้านนอกทั้งหมด
- เลื่อนแขนเครื่องมือขึ้นอย่างช้าๆ

หมายเหตุ: เมื่อทำงาน ต้องตรวจสอบให้แน่ใจว่าล็อกนิรภัยสำหรับขนย้ายไม่ถูกกดเข้าด้านใน มิฉะนั้นจะไม่สามารถลดแขนเครื่องมือลงต่ำถึงความลึกการตัดที่ต้องการได้

การรัดเครื่อง (ตำแหน่งขนย้าย)

- เลื่อนแขนเครื่องมือลงไปจนสามารถดันล็อกนิรภัยสำหรับขนย้าย (17) เข้าด้านในทั้งหมด

ข้อมูลเพิ่มเติมเกี่ยวกับการขนย้าย (ดู "การขนย้าย", หน้า 46)

การปรับมุมเอียงในแนวนอน (ดูภาพประกอบ D)

มุมเอียงในแนวนอนสามารถตั้งได้ในช่วงตั้งแต่ 0° ถึง 45° ค่าตั้งที่สำคัญจะระบุด้วยเครื่องหมายที่สอดคล้องกันบนฉากหยุดมุม (7) ตำแหน่ง 0° และ 45° จะตั้งไว้ที่จุดหยุดตรงปลายแต่ละด้าน

- คลายสกรูล็อก (16) สำหรับฉากหยุดมุมออกด้วยประแจขันหกเหลี่ยม (12) (8 มม.) ที่จัดส่งมาให้
- ปรับมุมเอียงตามที่ต้องการและขันสกรูยึดทั้งสอง (16) ให้แน่นอีกครั้ง

การย้ายที่ฉากหยุดมุม (ดูภาพประกอบ D-E)

ท่านสามารถย้ายที่ฉากหยุดมุม (7) ไปข้างหลัง หากท่านต้องการตัดชิ้นงานที่มีความกว้างมากกว่า 140 มม.

- หมุนสกรูล็อก (16) ออกจนสุดด้วยประแจขันหกเหลี่ยม (12) (8 มม.) ที่จัดส่งมาให้
- ย้ายที่ฉากหยุดมุม (7) ในระยะที่ต้องการหรือเลื่อนไปทางด้านหลังสองรู
- ปรับมุมเอียงตามที่ต้องการและขันสกรูยึดทั้งสอง (16) ให้แน่นอีกครั้ง

การหนีบชิ้นงาน

เพื่อความปลอดภัยสูงสุดขณะทำงาน ต้องหนีบชิ้นงานให้แน่นเสมอ อย่าเลือกชิ้นงานที่มีขนาดเล็กมากที่ยึดหนีบไม่ได้

การหนีบชิ้นงาน (ดูภาพประกอบ E)

- วางชิ้นงานชิดกับฉากหยุดมุม (7)
- เลื่อนเพลาลิ้นเลื่อนอัด (8) เข้าหาชิ้นงานและหนีบชิ้นงานให้แน่นด้วยคันทันจับเพลลา (10)

ยึดชิ้นงาน (หน้าตัดสูงสุด 40 x 40 มม.) เข้ากับแท่นรองรับชิ้นงาน (ดูภาพประกอบ F-H)

- ปรับมุมเอียงมาตรฐานให้เป็น 0° ที่ฉากหยุดมุม (7)
- ยกแท่นรองรับชิ้นงาน (15) ขึ้นเล็กน้อยและดันแท่นผ่านช่องเขาไปยังฉากหยุดมุม
- แขนงตะขอกึ่งของแท่นรองรับชิ้นงานในช่องเปิดของก้ามหนีบ (14).
- วางชิ้นงานบนแท่นรองรับชิ้นงาน (15)
- เลื่อนเพลลาเลื่อนอัตโนมัติ (8) เข้าหาชิ้นงานและหนีบชิ้นงานให้แน่นด้วยคันจับเพลลา (10)

- ▶ **ตรวจสอบให้แน่ใจว่า แท่นรองรับชิ้นงานเชื่อมต่อกับก้ามหนีบอย่างแน่นหนาและไม่ไอนเอียง**
- ▶ **ตรวจสอบให้แน่ใจว่า ความสูงของชิ้นงานบนฐานรองรับชิ้นงานสูงสุด 40 มม. ไม่สามารถจับชิ้นงานที่สูงกว่านี้ได้อย่างปลอดภัย**
- ▶ **ตรวจสอบให้แน่ใจว่า ดันแท่นรองรับชิ้นงานกลับเข้าไปในฉากหยุดมุมหลังใช้งาน ตะขอกึ่งที่ยื่นออกมาส่งทำให้ไม่สามารถจับชิ้นงานให้แน่นได้**

การปลดชิ้นงาน

- คลายคันจับเพลลา (10)
- กระดกคันปลดเร็ว (9) ขึ้นและดึงเพลลาเลื่อนอัตโนมัติ (8) ออกจากชิ้นงาน

การเริ่มต้นปฏิบัติงาน

- ▶ **ให้สังเกตแรงดันไฟฟ้า!** แรงดันไฟฟ้าจากแหล่งจ่ายไฟฟ้าต้องมีค่าตรงกับค่าแรงดันไฟฟ้าที่ระบุไว้บนแผ่นป้ายพิกัดเครื่องชาร์จ เครื่องชาร์จแบตเตอรี่ที่มีเครื่องหมาย 230 โวลต์ สามารถใช้งานกับแรงดันไฟฟ้า 220 โวลต์ ได้ด้วย
- ▶ **ตรวจสอบงานตัดก่อนใช้งาน งานตัดต้องได้รับการติดตั้งอย่างถูกต้องและสามารถหมุนได้อย่างอิสระ ทำการทดสอบวิ่งโดยเปิดเครื่องเดินตัวเปล่าอย่างน้อย 30 นาที อย่าใช้งานตัดที่ชำรุด เสียศูนย์ หรือสั้นตัว งานตัดที่ชำรุดอาจจะระเบิดและทำให้เกิดการบาดเจ็บได้**

ฝุ่นจากวัสดุ เช่น เลสือบิวที่มีสารตะกั่ว แร่ธาตุ และโลหะ อาจเป็นอันตรายต่อสุขภาพ การสัมผัสหรือการหายใจเอาฝุ่นเข้าไปอาจทำให้เกิดปฏิกิริยาแพ้ฝุ่น และ/หรือนำมาซึ่งโรคติดเชื้อระบบหายใจแก่ผู้ใช้เครื่องหรือผู้ที่ยืนอยู่ใกล้เคียง

ฝุ่นโลหะบางชนิดถือว่าเป็นอันตรายโดยเฉพาะอย่างยิ่งเมื่อร่วมกับโลหะผสม เช่น สังกะสี อะลูมิเนียม หรือโครเมียม สำหรับวัสดุที่มีแอลเบสทอสตองใหญ่เชี่ยวชาญทำงานเท่านั้น

- จัดสถานที่ทำงานให้มีการระบายอากาศที่ดี

- ขอแนะนำให้สวมหน้ากากป้องกันการติดเชื้อที่มีระดับ-ใส่กรอง P2

- ปฏิบัติตามกฎข้อบังคับที่เกี่ยวข้องกับวัสดุชิ้นงานที่บังคับใช้ในประเทศของท่าน
- งานตัดอาจเกิดติดขัดเนื่องจากฝุ่น เศษ หรือชิ้นงานเล็กๆ ที่แตกออกในช่องของแผ่นฐาน (13)
- ปิดสวิตช์เครื่องมือไฟฟ้าและดึงปลั๊กไฟฟ้าออกจากเต้าเสียบ
- รอจนกว่างานตัดจะหยุดนิ่งอยู่กับที่
- เอียงเครื่องมือไฟฟ้าไปข้างหลังเพื่อปล่อยชิ้นส่วนเล็กน้อยเล็กออกจากช่อง หากจำเป็น ให้ใช้เครื่องมือที่เหมาะสมเพื่อถอดชิ้นงานทั้งหมดออก
- ▶ **ป้องกันการสะสมของฝุ่นในสถานที่ทำงาน** ฝุ่นสามารถถูกโยนอย่างง่ายตาย

ตำแหน่งของผู้ใช้งานเครื่อง

- ▶ **อย่ายืนในแนวเดียวกันกับงานตัดที่ด้านหน้าของเครื่องมือไฟฟ้า แต่ให้ยืนที่ด้านข้างของงานตัดเสมอ** หากงานตัดแตกหัก ร่างกายของท่านจะได้รับการปกป้องจากเศษสะเก็ดที่อาจเกิดขึ้นได้ดีกว่า

การเปิด-ปิดเครื่อง (ดูภาพประกอบ I)

- เมื่อต้องการให้เครื่องมือไฟฟ้าเริ่มต้นปฏิบัติงาน ให้กดปุ่มล็อค (1).
- จากนั้นให้กดสวิตช์เปิด-ปิด (2) และกดค้างไว้

หมายเหตุ: ด้วยเหตุผลด้านความปลอดภัยจึงไม่สามารถล็อคสวิตช์เปิด-ปิด (2) ได้ จะต้องกดสวิตช์เปิด-ปิดตลอดเวลาทำงาน

- หากต้องการปิดสวิตช์ ให้ปล่อยนิ้วจากสวิตช์เปิด-ปิด (2)

การสตาร์ทแบบนุ่มนวล

ระบบสตาร์ทแบบนุ่มนวลอิเล็กทรอนิกส์จะจำกัดแรงบิดเมื่อเปิดสวิตช์และเพิ่มอายุการใช้งานของมอเตอร์

ข้อแนะนำในการทำงาน


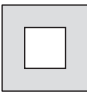
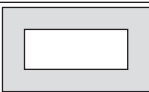
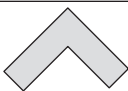
ข้อแนะนำทั่วไปสำหรับการตัด

- ▶ **หลังทำงานเสร็จ อย่าสัมผัสงานตัดจนกว่างานจะเย็นลง** งานตัดจะร้อนขึ้นมากขณะทำงาน
- ▶ **ตรวจสอบให้แน่ใจว่า กระบี่บังคับประกายไฟ (21) ติดตั้งอยู่อย่างถูกต้อง** จะเกิดประกายไฟเมื่อขัดโลหะ
- ▶ **ป้องกันงานตัดจากการกระแทกกระแทกและจากจาระบี** อย่ากดงานตัดลงทางด้านข้าง
- ▶ **อย่าใช้งานเครื่องหนักเกินไปจนเครื่องหยุดทำงาน** การเคลื่อนเครื่องไปข้างหน้าเกินกำลังจะลดประสิทธิภาพการทำงานของเครื่อง และบั่นทอนอายุการใช้งานของงานตัด

ใช้เฉพาะงานตัดที่เหมาะสมกับประเภทวัสดุชิ้นงานเท่านั้น

ขนาดชิ้นงานที่อนุญาต

ชิ้นงานสูงสุด:

รูปทรงชิ้นงาน	มุมเอียงในแนวนอน	
	0°	45°
	129 Ø	128 Ø
	119 x 119	110 x 110
	100 x 196	107 x 115
	130 x 130	115 x 115

ขนาดชิ้นงานต่ำสุด

(= ชิ้นงานทั้งหมดที่ยังสามารถหนีบให้แน่นด้วยเพลาลูกเบี้ยว)

(8) ความยาว 80 มม.

ความลึกการตัดสูงสุด (0°/0°): 129 มม.

การตัดโลหะ

- ปรับตั้งมุมเอียงในแนวนอนที่ต้องการ หากจำเป็น
- หนีบชิ้นงานตามขนาดของชิ้นงานให้แน่น
- เปิดสวิตช์เครื่องมือไฟฟ้า
- เลื่อนแขนเครื่องมือพร้อมด้ามจับ (3) ลงอย่างช้าๆ
- ตัดชิ้นงานโดยบ่อนเครื่องอย่างสม่ำเสมอ
- ปิดสวิตช์เครื่อง และรอจนงานตัดหยุดนิ่งอยู่กับที่
- เลื่อนแขนเครื่องมือขึ้นอย่างช้าๆ

การขนย้าย

- ถือเครื่องมือไฟฟ้าโดยที่หัวคันทันจับขนย้าย (19)
- ▶ เมื่อขนย้ายเครื่องมือไฟฟ้า ให้ยกจับที่อุปกรณ์สำหรับขนย้ายเท่านั้น และอย่ายกจับที่อุปกรณ์ป้องกันอันตรายอย่างเด็ดขาด

การบำรุงรักษาและการบริการ

การบำรุงรักษาและการทำความสะอาด

- ▶ ดึงปลั๊กไฟออกจากเต้าเสียบก่อนปรับแต่งเครื่อง

▶ เพื่อให้ทำงานได้อย่างถูกต้องและปลอดภัย ต้องรักษาเครื่องและช่องระบายอากาศให้สะอาดอยู่เสมอ

หากจำเป็นต้องเปลี่ยนสายไฟฟ้า ต้องส่งเครื่องให้ Bosch หรือศูนย์บริการหลังการขายที่ได้รับมอบหมายสำหรับเครื่องมือไฟฟ้า Bosch เปลี่ยนให้ ทั้งนี้เพื่อหลีกเลี่ยงอันตราย

- ▶ ทำความสะอาดช่องระบายอากาศของเครื่องมือไฟฟ้าอย่างสม่ำเสมอ พัดลมของมอเตอร์จะดูดผงฝุ่นเข้าไปในหม้อครอบ และผงโลหะที่พอกสะสมกันมาก ๆ อาจทำให้เกิดอันตรายจากไฟฟ้าได้

- ▶ หากใช้เครื่องทำงานหนัก ให้ใช้อุปกรณ์ดูดฝุ่นออกเท่าที่จะทำได้เสมอ เป่าช่องระบายอากาศเป็นประจำและติดตั้งเครื่องตัดไฟรั่ว (RCD) เมื่อทำงานกับโลหะ ฝุ่นซึ่งมีคุณสมบัตินำความร้อนและกระแสไฟฟ้าอาจสะสมอยู่ข้างในเครื่องมือไฟฟ้า ฉนวนป้องกันทั้งหมดของเครื่องมือไฟฟ้าอาจได้รับผลเสีย

- ▶ ส่งเครื่องให้ช่างผู้เชี่ยวชาญทำการบำรุงรักษาและซ่อมแซมเท่านั้น ในลักษณะนี้ท่านจะแน่ใจได้ว่าเครื่องมือไฟฟ้ายังคงอยู่ในสภาพที่ปลอดภัย

กระบังป้องกันใบเลื่อยชนิดชักร่นได้ต้องเคลื่อนไหวไปมาได้อย่างอิสระและร่นปิดได้โดยอัตโนมัติตลอดเวลา ดังนั้นต้องรักษาริววนรอบๆ กระบังป้องกันใบเลื่อยชนิดชักร่นได้ให้สะอาดอยู่เสมอ

อุปกรณ์ประกอบ

หมายเลขสินค้า	
งานตัดสำหรับวัสดุที่เป็นโลหะทุกชนิด	
งานตัด 355 x 25.4 มม.	2 608 600 208
งานตัด 355 x 25.4 มม.	2 608 600 223

การบริการหลังการขายและการให้คำปรึกษาการใช้งาน

ศูนย์บริการหลังการขายของเรายินดีตอบคำถามของท่านที่เกี่ยวกับการบำรุงรักษาและการซ่อมแซมผลิตภัณฑ์รวมทั้งเรื่องอะไหล่ ภาพเขียนแบบการประกอบและข้อมูลเกี่ยวกับอะไหล่ กรุณาดูใน: www.bosch-pt.com

ทีมงานที่ปรึกษาของ บอช ยินดีให้ข้อมูลเกี่ยวกับผลิตภัณฑ์ของเราและอุปกรณ์ประกอบต่างๆ

เมื่อต้องการสอบถามและสั่งซื้ออะไหล่ กรุณาแจ้งหมายเลขสินค้า 10 หลักบนแผ่นป้ายรุ่นของผลิตภัณฑ์ทุกครั้ง

ไทย

ไทย บริษัท โรเบิร์ต บอช จำกัด
 เอพวยไอ เซ็นเตอร์ อาคาร 1 ชั้น 5
 เลขที่ 2525 ถนนพระราม 4

แขวงคลองเตย เขตคลองเตย กรุงเทพฯ 10110

โทร: +66 2012 8888

แฟกซ์: +66 2064 5800

www.bosch.co.th

ศูนย์บริการซ่อมและฝึกอบรม บอช

อาคาร ลานชาลาทาวเวอร์ ชั้น G ห้องเลขที่ 2

บ้านเลขที่ 10/11 หมู่ 16

ถนนศรีนครินทร์ ตำบลบางแก้ว อำเภอบางพลี

จังหวัดสมุทรปราการ 10540

ประเทศไทย

โทรศัพท์ 02 7587555

โทรสาร 02 7587525

สามารถดูที่อยู่ศูนย์บริการอื่นๆ ได้ที่:

www.bosch-pt.com/serviceaddresses

การกำจัดขยะ

เครื่องมือไฟฟ้า อุปกรณ์ประกอบ และหีบห่อ ต้องนำไปแยกประเภทวัสดุเพื่อการรีไซเคิลที่เป็นมิตรต่อสิ่งแวดล้อม



อย่าทิ้งเครื่องมือไฟฟ้าลงในขยะครัวเรือน!

Bahasa Indonesia

Petunjuk keselamatan

Petunjuk Keselamatan Umum Perkakas Listrik

⚠ PERINGATAN Baca semua peringatan, petunjuk, ilustrasi, dan spesifikasi

keselamatan yang diberikan bersama perkakas listrik ini. Kesalahan dalam menjalankan petunjuk di bawah ini dapat mengakibatkan sengatan listrik, kebakaran, dan/atau cedera serius.

Simpanlah semua peringatan dan petunjuk untuk penggunaan di masa mendatang.

Istilah "perkakas listrik" dalam peringatan mengacu pada perkakas listrik yang dioperasikan dengan listrik (menggunakan kabel) atau perkakas listrik yang dioperasikan dengan baterai (tanpa kabel).

Keamanan tempat kerja

- ▶ **Jaga kebersihan dan pencahayaan area kerja.** Area yang berantakan atau gelap dapat memicu kecelakaan.
- ▶ **Jangan mengoperasikan perkakas listrik di lingkungan yang dapat memicu ledakan, seperti adanya cairan, gas, atau debu yang mudah terbakar.** Perkakas listrik dapat memancarkan bunga api yang kemudian mengakibatkan debu atau uap terbakar.

- ▶ **Jauhkan dari jangkauan anak-anak dan pengamat saat mengoperasikan perkakas listrik.** Gangguan dapat menyebabkan hilangnya kendali.

Keamanan listrik

- ▶ **Steker perkakas listrik harus sesuai dengan stopkontak. Jangan pernah memodifikasi steker. Jangan menggunakan steker adaptor bersama dengan perkakas listrik yang terhubung dengan sistem grounding.** Steker yang tidak dimodifikasi dan stopkontak yang cocok akan mengurangi risiko sengatan listrik.
- ▶ **Hindari kontak badan dengan permukaan yang terhubung dengan sistem grounding, seperti pipa, radiator, kompor, dan lemari es.** Terdapat peningkatan risiko terjadinya sengatan listrik jika badan Anda terhubung dengan sistem grounding.
- ▶ **Perkakas listrik tidak boleh terpapar hujan atau basah.** Air yang masuk ke dalam perkakas listrik menambah risiko terjadinya sengatan listrik.
- ▶ **Jangan menyalahgunakan kabel. Jangan gunakan kabel untuk membawa, menarik, atau melepas steker perkakas listrik. Jauhkan kabel dari panas, minyak, tepi yang tajam, atau komponen yang bergerak.** Kabel listrik yang rusak atau tersangkut menambah risiko terjadinya sengatan listrik.
- ▶ **Saat mengoperasikan perkakas listrik di luar ruangan, gunakan kabel ekstensi yang sesuai untuk penggunaan di luar ruangan.** Penggunaan kabel yang cocok untuk pemakaian di luar ruangan mengurangi risiko terjadinya sengatan listrik.
- ▶ **Jika perkakas listrik memang harus dioperasikan di tempat yang lembap, gunakan pemutus arus listrik residu (RCD).** Penggunaan RCD akan mengurangi risiko terjadinya sengatan listrik.

Keselamatan personel

- ▶ **Tetap waspada, perhatikan aktivitas yang sedang dikerjakan dan gunakan akal sehat saat mengoperasikan perkakas listrik. Jangan gunakan perkakas listrik saat mengalami kelelahan atau di bawah pengaruh narkoba, alkohol, atau obat-obatan.** Jika perkakas listrik dioperasikan dengan daya konsentrasi yang rendah, hal tersebut dapat menyebabkan cedera serius.
- ▶ **Gunakan peralatan pelindung diri. Selalu kenakan pelindung mata.** Penggunaan perlengkapan pelindung seperti penutup telinga, helm, sepatu anti licin, dan masker debu akan mengurangi cedera.
- ▶ **Hindari start yang tidak disengaja. Pastikan switch berada di posisi off sebelum perkakas listrik dihubungkan ke sumber daya listrik dan/atau baterai, diangkat, atau dibawa.** Membawa perkakas listrik dengan jari menempel pada tombol atau perkakas listrik dalam keadaan hidup dapat memicu kecelakaan.
- ▶ **Singkirkan kunci penyetel atau kunci pas sebelum menghidupkan perkakas listrik.** Perkakas atau kunci

pas yang masih menempel pada komponen perkakas listrik yang berputar dapat menyebabkan cedera.

- ▶ **Jangan melampaui batas. Berdirilah secara mantap dan selalu jaga keseimbangan.** Hal ini akan memberikan kontrol yang lebih baik terhadap perkakas listrik pada situasi yang tak terduga.
- ▶ **Kenakan pakaian dengan wajar. Jangan mengenakan perhiasan atau pakaian yang longgar. Jauhkan rambut dan pakaian dari komponen yang bergerak.** Pakaian yang longgar, rambut panjang, atau perhiasan dapat tersangkut dalam komponen yang bergerak.
- ▶ **Jika disediakan perangkat untuk sambungan pengisapan debu dan alat pengumpulan, pastikan perangkat tersebut terhubung dan digunakan dengan benar.** Penggunaan alat pengumpulan dapat mengurangi bahaya yang disebabkan oleh debu.
- ▶ **Jangan berpuas diri dan mengabaikan prinsip keselamatan karena terbiasa mengoperasikan perkakas.** Tindakan yang kurang hati-hati dapat mengakibatkan cedera serius dalam waktu sepersekian detik.

Penggunaan dan pemeliharaan perkakas listrik

- ▶ **Jangan memaksakan perkakas listrik. Gunakan perkakas listrik yang sesuai untuk pekerjaan yang dilakukan.** Perkakas listrik yang sesuai akan bekerja dengan lebih baik dan aman sesuai tujuan penggunaan.
- ▶ **Jangan gunakan perkakas listrik dengan switch yang tidak dapat dioperasikan.** Perkakas listrik yang switchnya yang tidak berfungsi dapat menimbulkan bahaya dan harus diperbaiki.
- ▶ **Lepaskan steker dari sumber listrik dan/atau lepas baterai, jika dapat dilepaskan dari perkakas listrik sebelum menyetel, mengganti aksesori, atau menyimpan perkakas listrik.** Tindakan preventif akan mengurangi risiko menghidupkan perkakas listrik secara tidak disengaja.
- ▶ **Jauhkan dan simpan perkakas listrik dari jangkauan anak-anak dan jangan biarkan orang-orang yang tidak mengetahui cara menggunakan perkakas listrik, mengoperasikan perkakas listrik.** Perkakas listrik dapat membahayakan jika digunakan oleh orang-orang yang tidak terlatih.
- ▶ **Lakukan pemeliharaan perkakas listrik dan aksesori. Periksa komponen yang bergerak apabila tidak lurus atau terikat, kerusakan komponen, dan kondisi lain yang dapat mengganggu pengoperasian perkakas listrik. Apabila rusak, perbaiki perkakas listrik sebelum digunakan.** Kecelakaan sering terjadi karena perkakas listrik tidak dirawat dengan baik.
- ▶ **Jaga ketajaman dan kebersihan alat.** Alat pemotong dengan pisau pemotong yang tajam dan dirawat dengan baik tidak akan mudah tersangkut dan lebih mudah dikendalikan.
- ▶ **Gunakan perkakas listrik, aksesori, dan komponen perkakas dll sesuai dengan petunjuk ini, dengan mempertimbangkan kondisi kerja dan pekerjaan yang**

akan dilakukan. Penggunaan perkakas listrik untuk tujuan berbeda dari fungsinya dapat menyebabkan situasi yang berbahaya.

- ▶ **Jaga gagang dan permukaan genggam agar tetap kering, bersih, dan bebas dari minyak dan lemak.** Gagang dan permukaan genggam yang licin tidak menjamin keamanan kerja dan kontrol alat yang baik pada situasi yang tidak terduga.

Servis

- ▶ **Minta teknisi berkualifikasi untuk menyervis perkakas listrik dengan hanya menggunakan suku cadang yang identik.** Dengan demikian, hal ini akan memastikan keamanan perkakas listrik.

Peringatan keselamatan mesin pemotong

- ▶ **Jaga jarak Anda dan orang lain di sekitar dari pengetam cakram yang berputar.** Pelindung akan membantu melindungi operator dari kepingan cakram yang pecah dan kontak secara tidak sengaja dengan cakram.
- ▶ **Hanya gunakan cakram pemotong yang terikat dengan kuat untuk perkakas listrik Anda.** Meski aksesori dapat dipasang pada perkakas listrik Anda, hal ini tidak menjamin keamanan pengoperasian alat.
- ▶ **Ukuran kecepatan aksesori setidaknya harus sama dengan kecepatan maksimum yang tertera pada perkakas listrik.** Aksesori yang beroperasi lebih cepat dari ukuran kecepatan yang tertera dapat rusak dan terlepas.
- ▶ **Cakram harus digunakan sesuai dengan pemakaian yang dianjurkan. Misalnya: jangan menggerinda dengan sisi cakram pemotong.** Cakram pemotong abrasif digunakan untuk menggerinda bagian tepi, gaya di sisi cakram dapat menyebabkan cakram pecah.
- ▶ **Selalu gunakan flensa cakram yang tidak rusak dengan diameter yang sesuai untuk cakram yang dipilih.** Flensa cakram yang tepat akan membantu cakram mengurangi kemungkinan kerusakan cakram.
- ▶ **Diameter dan ketebalan luar aksesori harus dalam kapasitas perkakas listrik.** Aksesori yang ukurannya salah tidak dapat dikendalikan dan ditanggung keamanannya.
- ▶ **Ukuran poros cakram dan flensa harus sesuai dengan poros perkakas listrik.** Cakram dan flensa dengan lubang poros yang tidak sesuai dengan perangkat keras yang terpasang pada perkakas listrik akan kehilangan keseimbangan, bergetar terlalu keras, dan kehilangan kendali.
- ▶ **Jangan gunakan cakram yang telah rusak. Setiap sebelum penggunaan, periksa cakram apakah ada serpihan atau retakan. Jika perkakas listrik atau cakram terjatuh, periksa perkakas dari kerusakan atau pasang cakram yang tidak rusak. Setelah memeriksa dan memasang cakram, jaga jarak Anda dari pengetam cakram yang berputar dan hidupkan perkakas listrik dengan kecepatan maksimum tanpa**

beban selama satu menit. Cakram yang rusak biasanya akan hancur dalam waktu uji ini.

- ▶ **Kenakan alat pelindung.** Tergantung pada pemakaian, gunakan pelindung wajah, kaca mata pelindung, atau kaca mata pengaman. Kenakan masker debu, sumbat telinga, sarung tangan, dan pakaian kerja yang mampu melindungi dari material kecil atau kepingan benda kerja. Pelindung mata harus mampu melindungi dari puing-puing yang terbang selama pemakaian. Masker debu atau respirator harus mampu menyaring partikel yang dihasilkan saat pemakaian perkakas. Pemakaian terlalu lama hingga menimbulkan kebisingan yang sangat tinggi dapat menimbulkan kehilangan pendengaran.
- ▶ **Jauhkan pengamat dari area kerja. Siapa saja yang memasuki area kerja harus memakai alat pelindung.** Bagian dari alat kerja atau cakram yang rusak dapat terlempar dan menyebabkan cedera di luar area langsung pengoperasian.
- ▶ **Jauhkan kabel dari aksesoris yang berputar.** Jika Anda kehilangan kendali, kabel dapat terpotong atau tersangkut dan tangan atau lengan Anda dapat tertarik ke cakram yang sedang berputar.
- ▶ **Bersihkan ventilasi udara pada perkakas listrik secara berkala.** Kipas motor dapat menyerap debu ke dalam housing dan kumpulan serbuk logam yang terlalu banyak dapat menyebabkan bahaya listrik.
- ▶ **Jangan gunakan perkakas listrik ini berdekatan dengan material yang mudah terbakar. Jangan operasikan perkakas listrik saat berada di atas permukaan yang mudah terbakar, seperti kayu.** Percikan api dapat membakar material-material tersebut.
- ▶ **Jangan gunakan aksesoris yang memakai pendingin cair.** Menggunakan air atau pendingin cair lainnya dapat menyebabkan sengatan atau kejutan listrik.

Sentakan dan peringatan terkait

Sentakan merupakan reaksi tiba-tiba pada cakram yang berputar, terjepit, atau tersangkut. Terjepit atau tersangkut dapat menyebabkan cakram yang berputar dapat terulur dengan cepat yang mengakibatkan **unit pemotongan** yang tidak terkontrol mendesak ke atas mengarah ke operator. Sebagai contoh, jika sebuah cakram abrasif tersangkut atau terjepit benda kerja, tepi cakram yang masuk ke titik jepit dapat masuk ke dalam permukaan material yang menyebabkan cakram naik atau terlempar ke luar. Cakram abrasif juga dapat rusak karena hal-hal ini.

Sentakan merupakan akibat dari penggunaan yang salah dari perkakas listrik ini dan/atau prosedur atau syarat pengoperasian atau syarat-syarat penggunaan yang tidak tepat, namun dapat dihindari dengan melakukan tindakan pencegahan yang tepat seperti yang diberikan di bawah ini.

- ▶ **Pegang gagang perkakas listrik dan posisikan tubuh dan lengan Anda agar dapat menahan daya sentakan.** Operator dapat mengendalikan gaya sentakan ke atas, apabila dilakukan tindakan pencegahan yang benar.
- ▶ **Jangan posisikan tubuh Anda sejajar dengan cakram yang berputar.** Jika terjadi sentakan, hal ini akan

mendorong unit pemotongan ke atas mengarah ke operator.

- ▶ **Jangan memasang rantai gergaji, pisau pengukur kayu, cakram intan tersegmentasi dengan celah bagian tepi lebih dari 10 mm, atau gergaji bergerigi.** Jenis pisau tersebut dapat menimbulkan sentakan dan kehilangan kendali.
- ▶ **Jangan "menyumbat" cakram atau memberikan tekanan yang terlalu besar. Jangan memotong terlalu dalam.** Tekanan yang terlalu tinggi pada cakram akan meningkatkan beban dan kerentanan terhadap putaran atau ikatan cakram dalam memotong, dan kemungkinan terjadinya sentakan atau kerusakan cakram.
- ▶ **Ketika cakram terbelit atau ketika pemotongan terhenti oleh suatu sebab, matikan perkakas dan pegang unit pemotongan tanpa gerakan hingga perkakas benar-benar mati. Jangan pernah mencoba melepas cakram dari potongan ketika cakram sedang berputar karena dapat menyebabkan sentakan.** Periksa dan lakukan reparasi untuk mengatasi penyebab cakram tersangkut.
- ▶ **Jangan melanjutkan pemotongan saat perkakas berada dalam benda kerja. Biarkan cakram berputar dengan kecepatan penuh dan lanjutkan memotong dengan hati-hati.** Cakram dapat terbelit, maju, atau mundur jika perkakas listrik dihidupkan kembali dalam benda kerja.
- ▶ **Topang benda kerja yang berukuran sangat besar untuk mengurangi risiko cakram tersangkut dan mengalami sentakan.** Benda kerja yang besar cenderung akan merosot akibat besarnya beban. Penyangga harus ditempatkan di bawah benda kerja dekat dengan garis potong dan dekat tepi benda kerja pada kedua sisi cakram.

Petunjuk Keselamatan tambahan

- ▶ **Simpankan perkakas listrik yang tidak digunakan dengan baik. Tempat penyimpanan harus kering dan dapat dikunci.** Hal tersebut menghindarkan perkakas listrik dari kerusakan selama disimpan atau akibat digunakan oleh orang-orang yang tidak berpengalaman.
- ▶ **Kencangkan selalu benda yang akan dikerjakan. Jangan mengerjakan benda-benda yang terlalu kecil untuk dikencangkan.** Jika tidak, jarak antara tangan Anda dan cakram pemotong yang berputar terlalu kecil.
- ▶ **Periksa kabel listrik secara berkala dan reparasikan kabel listrik yang rusak di service center resmi untuk perkakas listrik Bosch. Ganti kabel penyambung yang rusak.** Dengan demikian, keselamatan kerja perkakas listrik ini terjamin.
- ▶ **Jangan sekali berdiri di atas perkakas listrik.** Anda dapat terluka berat jika perkakas listrik terjungkir atau Anda secara tidak sengaja terkena pada mata gergaji.
- ▶ **Gunakan selalu kap pelindung.** Kap pelindung melindungi pengguna mesin dari bagian-bagian cakram pemotong yang patah dan mencegah cakram pemotong disentuh secara tidak disengaja.

- ▶ **Setelah perkakas listrik dimatikan, jangan melakukan pengereman dengan cara menekan cakram pemotong pada sisinya.** Cakram pemotong dapat menjadi rusak, patah, atau menyebabkan sentakan.
- ▶ **Jangan sekali-kali meninggalkan perkakas listrik sebelum perkakas listrik berhenti sepenuhnya.** Alat kerja yang masih berputar dapat mengakibatkan terjadinya luka-luka.

Simbol-simbol

Simbol-simbol berikut dapat membantu Anda dalam menggunakan perkakas listrik. Pelajari dan ingat simbol-simbol berikut beserta maknanya. Pengertian yang betul dari simbol-simbol ini bisa membantu Anda untuk menggunakan perkakas listrik dengan lebih baik dan aman.

Simbol dan artinya



Kenakan kaca mata pelindung.



Pakailah pelindung telinga. Suara bising dapat menyebabkan daya pendengaran berkurang.



Kenakan masker pelindung debu.



Jangan mendekati tangan Anda pada area pemotongan jika perkakas listrik dalam keadaan hidup. Menyentuh cakram potong dapat mengakibatkan cedera.



Kenakan sarung tangan pelindung. Cakram potong memiliki tepi yang tajam dan dapat menjadi sangat panas saat digunakan.

memotong secara memanjang dan menyilang dengan arah potongan lurus dan sudut mitre horizontal hingga 45° pada material logam tanpa menggunakan air. Tidak diperbolehkan menggunakan cakram potong berlapis intan.

Ilustrasi komponen

Nomor-nomor dari bagian-bagian perkakas pada gambar sesuai dengan gambar perkakas listrik pada halaman bergambar.

- (1) Kunci pengaman untuk tombol on/off
- (2) Tombol on/off
- (3) Gagang
- (4) Kap pelindung yang dapat bergerak
- (5) Penguncian spindel
- (6) Cakram potong
- (7) Mistar sudut
- (8) Spindel pengunci
- (9) Rilis cepat
- (10) Gagang spindel
- (11) Lubang untuk pemasangan
- (12) Kunci L (8 mm)
- (13) Pelat dasar
- (14) Rahang penjepit
- (15) Tumpuan benda kerja untuk benda kerja dengan penampang maks. 40 x 40 mm
- (16) Baut pengunci untuk mistar sudut
- (17) Kunci transpor
- (18) Lengan perkakas
- (19) Gagang transpor
- (20) Kap pelindung
- (21) Pelindung bunga api
- (22) Spindel perkakas
- (23) Flensa penjepit
- (24) Cincin
- (25) Baut heksagonal

Data teknis

Mesin gerinda pemotong	GCO 14-24 J	
Nomor seri		3 601 M37 2..
Input daya nominal	W	2400
Kecepatan idle	min ⁻¹	3800
Start halus		●
Berat sesuai dengan EPTA-Procedure 01:2014	kg	18,0

Spesifikasi produk dan performa



Bacalah semua petunjuk keselamatan dan petunjuk penggunaan. Kesalahan dalam menjalankan petunjuk keselamatan dan petunjuk penggunaan dapat mengakibatkan kontak listrik, kebakaran, dan/atau luka-luka

yang berat.

Perhatikan ilustrasi yang terdapat pada sisi sampul panduan pengoperasian.

Tujuan penggunaan

Perkakas listrik ini dirancang sebagai peralatan yang dapat berdiri di lantai dengan bantuan cakram potong yang dapat

Mesin gerinda pemotong GCO 14-24 JTingkat perlindungan  II

Ukuran benda kerja yang diperbolehkan (maksimal/minimal): Ukuran benda kerja yang diperbolehkan

Data-data berlaku untuk tegangan nominal [U] 230 V. Data-data ini dapat bervariasi pada tegangan yang berbeda dan pada model khusus tiap negara.

Ukuran cakram potong yang sesuai

Diameter cakram potong maks	mm	355
Ketebalan cakram potong maks.	mm	3
Diameter lubang	mm	25,4

Pemasangan

- ▶ **Hindari perkakas listrik hidup secara tidak sengaja. Selama melakukan pemasangan dan pekerjaan lainnya pada perkakas listrik, steker tidak boleh dialiri listrik.**

Lingkup pengiriman

Keluarkan semua komponen yang disediakan di kemasan dengan hati-hati.

Singkirkan semua bahan kemasan dari perangkat listrik dan dari aksesoris yang disediakan.

Sebelum menggunakan perkakas listrik untuk pertama kalinya, periksa apakah semua bagian yang tercantum di bawah ini disertakan :

- Mesin gerinda pemotong dengan cakram potong yang terpasang
- Kunci L **(12)**

Catatan: Periksa perkakas listrik dari kemungkinan kerusakan.

Sebelum melanjutkan menggunakan perkakas listrik, periksa dengan saksama semua komponen pelindung atau komponen yang sedikit rusak apakah komponen tersebut berfungsi dengan baik. Periksa apakah komponen yang bergerak berfungsi dengan baik dan tidak terjepit atau apakah ada komponen yang rusak. Semua bagian-bagian harus terpasang dengan benar dan memenuhi semua persyaratan guna menjamin penggunaan perkakas listrik yang sempurna.

Komponen perlindungan dan bagian-bagian yang rusak harus diperbaiki atau diganti yang bengkel yang disetujui.

Pemasangan stasioner atau fleksibel

- ▶ **Untuk menjamin keamanan kerja, perkakas listrik harus dipasang terlebih dulu di tempat kerja yang datar dan stabil (misalnya meja kerja) sebelum digunakan.**

Pemasangan di atas meja kerja (lihat gambar A)

- Kencangkan perkakas listrik di atas meja kerja dengan sekrup yang sesuai. Untuk itu, gunakan lubang bor **(11)**.

Pemasangan fleksibel (tidak direkomendasikan!)

Jika dalam kondisi khusus yang tidak memungkinkan untuk memasang perkakas listrik pada permukaan kerja, kaki pelat dasar **(13)** dapat diletakkan di atas permukaan yang sesuai (misalnya meja kerja, bidang datar, dll.) tanpa perlu mengencangkan perkakas listrik.

Mengganti cakram potong (lihat gambar B1-B2)

- ▶ **Sebelum mulai dengan pekerjaan pada perkakas listrik, tariklah steker dari stopkontak.**
- ▶ **Hanya operasikan penguncian spindel (5) saat spindel perkakas (22) tidak berputar.** Jika tidak, perkakas listrik dapat menjadi rusak.
- ▶ **Setelah melakukan pengerjaan, jangan menyentuh cakram potong sebelum cakram potong menjadi dingin.** Cakram potong menjadi sangat panas saat digunakan.

Hanya gunakan cakram potong yang sesuai dengan karakteristik yang dicantumkan dalam petunjuk pengoperasian ini dan telah diuji serta diberi tanda berdasarkan EN 12413.

Gunakan lapisan yang disertakan dengan cakram potong jika memungkinkan.

Simpan cakram potong yang tidak digunakan dalam wadah yang tertutup atau dalam kemasan aslinya. Simpan cakram potong secara mendatar.

Melepaskan cakram potong

- Atur perkakas listrik pada posisi pengoperasian.
- Gerakkan kap pelindung yang dapat bergerak **(4)** ke belakang hingga maksimal.
- Putar baut heksagonal **(25)** dengan kunci L **(12)** yang disediakan dan tekan penguncian spindel **(5)** secara bersamaan hingga terkunci.
- Tekan dan tahan penguncian spindel lalu lepaskan baut heksagonal **(25)**.
- Lepaskan cincin **(24)** dan flensa penjepit **(23)**.
- Lepaskan cakram potong **(6)**.

Memasang cakram potong

Jika perlu, bersihkan dahulu semua komponen yang akan dipasang sebelum melakukan pemasangan.

- Pasang cakram potong yang baru ke poros perkakas **(22)** sehingga label mengarah menjauh dari lengan perkakas.
- Pasang flensa penjepit **(23)**, cincin **(24)** dan baut heksagonal **(25)**. Tekan penguncian spindel **(5)** hingga terkunci dan kencangkan kembali baut heksagonal **(25)** searah jarum jam. (Torsi pengencangan sekitar 18–20 Nm)
- Gerakkan kap pelindung yang dapat bergerak **(4)** secara perlahan ke bawah sepenuhnya hingga cakram potong tertutup.
- Pastikan kap pelindung yang dapat bergerak **(4)** dapat berfungsi dengan baik.

Setelah cakram potong dipasang dan sebelum perkakas listrik dihidupkan, periksa apakah cakram potong telah dipasang dengan benar dan dapat berputar secara bebas.

- Pastikan cakram potong tidak menyentuh kap pelindung yang dapat bergerak (4), kap pelindung yang terpasang (20) atau pun bagian lainnya.
- Operasikan perkakas listrik selama sekitar 30 detik. Jika terjadi vibrasi (getaran) yang kuat, segera matikan perkakas listrik, lepaskan cakram potong kemudian pasang kembali cakram potong..

Pengoperasian

- ▶ **Sebelum mulai dengan pekerjaan pada perkakas listrik, tariklah steker dari stopkontak.**

Kunci transpor (lihat gambar C)

Kunci transpor (17) memungkinkan perkakas listrik dapat ditangani dengan lebih mudah saat dipindahkan ke lokasi yang berbeda.

Melepas penguncian perkakas listrik (posisi pengoperasian)

- Tekan sedikit lengan perkakas pada gagang (3) ke bawah untuk membebaskan kunci transpor (17).
- Tarik sepenuhnya kunci transpor (17) ke luar.
- Gerakkan lengan perkakas ke atas secara perlahan.

Catatan: Pastikan kunci transpor tidak ditekan ke dalam saat perkakas dioperasikan, jika tidak, lengan perkakas tidak dapat digerakkan hingga kedalaman yang diinginkan.

Mengunci perkakas listrik (posisi pengangkutan)

- Arahkan lengan perkakas ke bawah hingga kunci transpor (17) dapat ditekan sepenuhnya ke dalam.

Catatan lainnya mengenai pengangkutan (lihat „Pengangkutan“, Halaman 53).

Mengatur sudut potong horizontal (lihat gambar D)

Sudut potong horizontal dapat diatur dalam rentang antara 0° hingga 45°.

Nilai pengaturan yang penting ditandai dengan tanda yang sesuai pada mistar sudut (7). Posisi 0° dan 45° ditentukan melalui penghenti batas masing-masing.

- Lepas sekrup pengencang (16) pada mistar sudut dengan kunci L (12) yang disediakan (8 mm).
- Atur sudut yang diinginkan dan kencangkan kembali kedua sekrup pengencang (16).

Mengubah mistar sudut (lihat gambar D–E)

Mistar sudut (7) dapat diubah ke belakang jika ingin memotong benda kerja dengan lebar lebih dari 140 mm.

- Buka sekrup pengencang (16) dengan kunci L (12) yang disediakan (8 mm).
- Ubah mistar sudut (7) ke jarak yang diinginkan pada satu atau dua lubang ke belakang.
- Atur sudut yang diinginkan dan kencangkan kembali kedua sekrup pengencang (16).

Mengencangkan benda kerja

Untuk menjamin keamanan kerja yang optimal, benda kerja harus selalu dikencangkan.

Jangan mengerjakan benda kerja yang terlalu kecil untuk dikencangkan.

Mengencangkan benda kerja (lihat gambar E)

- Letakkan benda kerja pada mistar sudut (7).
- Dorong spindel pengunci (8) ke benda kerja dan kencangkan benda kerja dengan gagang spindel (10).

Memasang benda kerja (penampang maks. 40 x 40 mm) pada tumpuan benda kerja (lihat gambar F – H)

- Atur sudut mitre standar 0° pada mistar sudut (7).
- Angkat tumpuan benda kerja (15) secara perlahan dan dorong ke dalam slot mistar sudut.
- Gantungkan pengait tumpuan benda kerja ke dalam bukaan rahang penjepit (14).
- Letakkan benda kerja pada tumpuan benda kerja (15).
- Dorong spindel pengunci (8) ke benda kerja dan kencangkan benda kerja dengan gagang spindel (10).

- ▶ **Pastikan tumpuan benda kerja terikat dengan kencang dengan rahang penjepit dan tidak miring saat benda kerja diletakkan.**

- ▶ **Pastikan tinggi benda kerja pada tumpuan benda kerja adalah maks. 40 mm. Benda kerja yang lebih tinggi tidak dapat dijepit dengan aman.**

- ▶ **Pastikan tumpuan benda kerja telah didorong kembali ke dalam mistar sudut sepenuhnya setelah digunakan. Pengait yang menonjol akan menghalangi benda kerja terjepit dengan aman.**

Melepaskan benda kerja

- Kendurkan gagang spindel (10).
- Buka rilis cepat (9) dan tarik spindel pengunci (8) dari benda kerja.

Pengoperasian perkakas

- ▶ **Perhatikan tegangan listrik!** Tegangan listrik harus sesuai dengan tegangan yang tercantum pada label tipe perangkat pengisi daya. Perangkat pengisi daya bertanda 230 V juga dapat dioperasikan pada tegangan 220 V.

- ▶ **Periksa cakram potong sebelum digunakan. Cakram potong harus terpasang dengan baik dan benar serta dapat berputar secara bebas. Lakukan percobaan penggunaan selama minimal 30 detik tanpa beban. Jangan menggunakan cakram potong yang rusak, tidak bulat sempurna atau bergetar.** Cakram potong yang rusak dapat menjadi pecah dan menyebabkan cedera.

Debu dari bahan-bahan seperti misalnya cat yang mengandung timbel (timah hitam), bahan mineral dan logam dapat berbahaya bagi kesehatan. Menyentuh atau menghirup debu-debu ini dapat mengakibatkan reaksi alergi dan/atau penyakit saluran pernapasan pada pengguna atau orang yang berada di dekatnya.

Debu logam tertentu dianggap berbahaya, terutama dalam campuran dengan logam paduan seperti misalnya seng, aluminium atau krom. Bahan-bahan yang mengandung asbestos hanya boleh dikerjakan oleh orang-orang yang ahli.

- Pastikan terdapat ventilasi udara yang baik di tempat pengerjaan.
- Direkomendasikan untuk memakai masker antidebu dengan filter kelas P2.

Taatilah peraturan-peraturan untuk bahan-bahan yang dikerjakan yang berlaku di negara Anda.

Cakram potong dapat terhalang oleh debu, serbuk atau serpihan benda kerja yang terdapat pada lubang pelat dasar (13).

- Matikan perkakas listrik dan lepas steker dari stopkontak.
 - Tunggulah hingga cakram potong benar-benar berhenti berputar.
 - Miringkan perkakas listrik ke belakang supaya bagian-bagian yang kecil dari benda kerja dapat terjatuh dari lubang yang disediakan.
- Jika perlu, gunakanlah alat yang cocok untuk menyingkirkan semua bagian-bagian dari benda kerja.

► **Hindari debu yang banyak terkumpul di tempat kerja.** Debu dapat tersulut dengan mudah.

Posisi pengguna perkakas listrik

► **Jangan berdiri sejajar dengan cakram potong di depan perkakas listrik, namun berdirilah selalu di sisi cakram potong.** Dengan demikian, jika cakram potong patah, tubuh Anda terlindungi dengan lebih baik dari serpihan cakram potong.

Menyalakan dan mematikan (lihat gambar 1)

- Saat **mengoperasikan** perkakas listrik, tekan terlebih dulu kunci pengaman (1).
- Kemudian, tekan tombol on/off (2) lalu tahan.

Catatan: Demi alasan keamanan, tombol on/off (2) tidak dapat dikunci sehingga tombol harus selalu ditekan selama pengoperasian.

- Untuk **mematikan** perkakas listrik, lepaskan tombol on/off (2).

Start halus

Start halus elektronik akan membatasi torsi saat perkakas dihidupkan dan meningkatkan masa pakai mesin.

Petunjuk pengoperasian

Petunjuk-petunjuk umum untuk memotong

- **Setelah melakukan pengerjaan, jangan menyentuh cakram potong sebelum cakram potong menjadi dingin.** Cakram potong menjadi sangat panas saat digunakan.
- **Pastikan pelindung bunga api (21) telah terpasang dengan benar.** Penggerindaan pada logam akan menghasilkan percikan api.

Lindungi cakram potong dari hantaman, benturan dan lemak. Jangan menekan cakram potong dari sisi sampingnya.


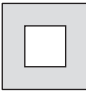
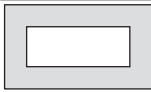
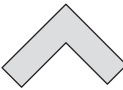
Jangan membebani perkakas listrik terlalu berat sehingga perkakas berhenti.

Dorongan yang terlalu keras sangat mengurangi daya dari perkakas listrik dan membuat cakram potong cepat aus.

Gunakan selalu cakram potong yang cocok untuk mengerjakan material benda kerja.

Ukuran benda kerja yang diperbolehkan

Ukuran benda kerja **maksimal:**

Bentuk benda kerja	sudut potong horizontal	
	0°	45°
	129 Ø	128 Ø
	119 x 119	110 x 110
	100 x 196	107 x 115
	130 x 130	115 x 115

Ukuran benda kerja minimal

(= semua benda kerja yang masih dapat dijepit dengan spindel pengunci (8)): Panjang 80 mm

Kedalaman pemotongan maksimal (0°/0°): 129 mm

Memotong pada logam

- Jika perlu, atur sudut potong horizontal yang diinginkan.
- Kencangkan benda kerja sesuai dengan ukurannya.
- Nyalakan perkakas listrik.
- Gerakkan lengan perkakas dengan gagang (3) ke bawah secara perlahan.
- Potong benda kerja dengan dorongan merata.
- Matikan perkakas listrik dan tunggu hingga cakram potong berhenti berputar.
- Gerakkan lengan perkakas ke atas secara perlahan.

Pengangkutan

- Selalu angkat perkakas listrik pada gagang transpor (19).

► **Saat mengangkut perkakas listrik, hanya gunakan komponen transpor dan jangan pernah menggunakan komponen perlindungan.**

Perawatan dan servis

Perawatan dan pembersihan

► **Sebelum mulai dengan pekerjaan pada perkakas listrik, tariklah steker dari stopkontak.**

- ▶ **Perkakas listrik dan lubang ventilasi harus selalu dibersihkan agar perkakas dapat digunakan dengan baik dan aman.**

Jika kabel listrik harus diganti, pekerjaan ini harus dilakukan oleh **Bosch** atau Service Center untuk perkakas listrik **Bosch** resmi agar keselamatan kerja selalu terjamin.

- ▶ **Bersihkan lubang ventilasi pada perkakas listrik secara rutin.** Kipas angin motor menarik debu ke dalam rumah dan debu logam dalam jumlah yang besar dan listrik bisa mengakibatkan bahaya.
- ▶ **Bila memungkinkan, selalu gunakan sistem ekstraksi udara dalam kondisi pengoperasian yang ekstrem. Tiuplah dengan rutin lubang ventilasi dan hiduapkan pemutus arus (PRCD).** Saat melakukan pengerjaan pada bahan logam, debu konduktif dapat mengendap di dalam perkakas listrik. Isolasi keamanan dari perkakas listrik dapat terganggu.
- ▶ **Serahkan pengerjaan perawatan dan perbaikan hanya kepada teknisi resmi yang berpengalaman.** Dengan demikian keselamatan kerja pada perkakas listrik tetap terjaga.

Kap pelindung yang dapat bergerak harus dapat bergerak secara bebas dan menutup sendiri. Untuk itu, jaga kebersihan area di sekitar kap pelindung yang dapat bergerak.

Aksesoris

Nomor seri

Cakram potong untuk semua bahan logam	
Cakram potong 355 x 25,4 mm	2 608 600 208
Cakram potong 355 x 25,4 mm	2 608 600 223

Layanan pelanggan dan konsultasi penggunaan

Layanan pelanggan Bosch menjawab semua pertanyaan Anda tentang reparasi dan perawatan serta tentang suku cadang produk ini. Gambaran teknis (exploded view) dan informasi mengenai suku cadang dapat ditemukan di:

www.bosch-pt.com

Tim konsultasi penggunaan Bosch akan membantu Anda menjawab pertanyaan seputar produk kami beserta aksesorinya.

Jika Anda hendak menanyakan sesuatu atau memesan suku cadang, selalu sebutkan nomor model yang terdiri dari 10 angka dan tercantum pada label tipe produk.

Indonesia

PT Robert Bosch
 Palma Tower 10th Floor
 Jalan RA Kartini II-S Kaveling 6
 Pondok Pinang, Kebayoran Lama
 Jakarta Selatan 12310
 Tel.: (021) 3005 5800
 Fax: (021) 3005 5801
 E-Mail: boschpowertools@id.bosch.com
www.bosch-pt.co.id

Alamat layanan lainnya dapat ditemukan di:

www.bosch-pt.com/serviceaddresses

Cara membuang

Perkakas listrik, aksesoris, dan kemasan sebaiknya didaur ulang secara ramah lingkungan.



Jangan membuang perkakas listrik ke dalam sampah rumah tangga!

Tiếng Việt

Các cảnh báo an toàn

Cảnh báo Tổng quát Cách sử dụng An toàn Dụng cụ điện cầm tay

⚠ CẢNH BÁO Hãy đọc toàn bộ các cảnh báo an toàn, hướng dẫn, hình ảnh và thông số kỹ thuật được cung cấp cho dụng cụ điện cầm tay này. Không tuân thủ mọi hướng dẫn được liệt kê dưới đây có thể bị điện giật, gây cháy và /hay bị thương tật nghiêm trọng. **Hãy giữ tất cả tài liệu về cảnh báo và hướng dẫn để tham khảo về sau.**

Thuật ngữ "dụng cụ điện cầm tay" trong phần cảnh báo là đề cập đến sự sử dụng dụng cụ điện cầm tay của bạn, loại sử dụng điện nguồn (có dây cắm điện) hay vận hành bằng pin (không dây cắm điện).

Khu vực làm việc an toàn

- ▶ **Giữ nơi làm việc sạch và đủ ánh sáng.** Nơi làm việc bừa bộn và tối tăm dễ gây ra tai nạn.
- ▶ **Không vận hành dụng cụ điện cầm tay trong môi trường dễ gây nổ, chẳng hạn như nơi có chất lỏng dễ cháy, khí đốt hay rác.** Dụng cụ điện cầm tay tạo ra các tia lửa nên có thể làm rác bén cháy hay bốc khói.
- ▶ **Không để trẻ em hay người đến xem đứng gần khi vận hành dụng cụ điện cầm tay.** Sự phân tâm có thể gây ra sự mất điều khiển.

An toàn về điện

- ▶ **Phích cắm của dụng cụ điện cầm tay phải thích hợp với ổ cắm. Không bao giờ được cải biến lại phích cắm dưới mọi hình thức. Không được sử dụng phích tiếp hợp nối tiếp đất (dây mát).** Phích cắm nguyên bản và ổ cắm đúng loại sẽ làm giảm nguy cơ bị điện giật.
- ▶ **Tránh không để thân thể tiếp xúc với đất hay các vật có bề mặt tiếp đất như đường ống, lò sưởi, hàng rào và tủ lạnh.** Có nhiều nguy cơ bị điện giật hơn nếu cơ thể bạn bị tiếp hay nối đất.

- ▶ **Không được để dụng cụ điện cầm tay ngoài mưa hay ở tình trạng ẩm ướt.** Nước vào máy sẽ làm tăng nguy cơ bị điện giật.
- ▶ **Không được lạm dụng dây dẫn điện.** Không bao giờ được nắm dây dẫn để xách, kéo hay rút phích cắm dụng cụ điện cầm tay. Không để dây gần nơi có nhiệt độ cao, dầu nhớt, vật nhọn bén và bộ phận chuyển động. Làm hỏng hay cuộn rối dây dẫn làm tăng nguy cơ bị điện giật.
- ▶ **Khi sử dụng dụng cụ điện cầm tay ngoài trời, dùng dây nối thích hợp cho việc sử dụng ngoài trời.** Sử dụng dây nối thích hợp cho việc sử dụng ngoài trời làm giảm nguy cơ bị điện giật.
- ▶ **Nếu việc sử dụng dụng cụ điện cầm tay ở nơi ẩm ướt là không thể tránh được, dùng thiết bị ngắt mạch tự động (RCD) bảo vệ nguồn.** Sử dụng thiết bị ngắt mạch tự động RCD làm giảm nguy cơ bị điện giật.

An toàn cá nhân

- ▶ **Hãy tỉnh táo, biết rõ mình đang làm gì và hãy sử dụng ý thức khi vận hành dụng cụ điện cầm tay.** Không sử dụng dụng cụ điện cầm tay khi đang mệt mỏi hay đang bị tác động do chất gây nghiện, rượu hay được phẩm gây ra. Một thoáng mất tập trung khi đang vận hành dụng cụ điện cầm tay có thể gây thương tích nghiêm trọng cho bản thân.
- ▶ **Sử dụng trang bị bảo hộ cá nhân. Luôn luôn đeo kính bảo vệ mắt.** Trang bị bảo hộ như khẩu trang, giày chống trượt, nón bảo hộ, hay dụng cụ bảo vệ tai khi được sử dụng đúng nơi đúng chỗ sẽ làm giảm nguy cơ thương tật cho bản thân.
- ▶ **Phòng tránh máy khởi động bất ngờ. Bảo đảm công tắc máy ở vị trí tắt trước khi cắm vào nguồn điện và/hay lắp pin vào, khi nhắc máy lên hay khi mang xách máy.** Ngáng ngón tay vào công tắc máy để xách hay kích hoạt dụng cụ điện cầm tay khi công tắc ở vị trí mở để dẫn đến tai nạn.
- ▶ **Lấy mọi chìa hay khóa điều chỉnh ra trước khi mở điện dụng cụ điện cầm tay.** Khóa hay chìa còn gắn dính vào bộ phận quay của dụng cụ điện cầm tay có thể gây thương tích cho bản thân.
- ▶ **Không rướn người. Luôn luôn giữ tư thế đứng thích hợp và thăng bằng.** Điều này tạo cho việc điều khiển dụng cụ điện cầm tay tốt hơn trong mọi tình huống bất ngờ.
- ▶ **Trang phục thích hợp. Không mặc quần áo rộng lủng thụng hay mang trang sức. Giữ tóc và quần áo xa khỏi các bộ phận chuyển động.** Quần áo rộng lủng thụng, đồ trang sức hay tóc dài có thể bị cuốn vào các bộ phận chuyển động.
- ▶ **Nếu có các thiết bị đi kèm để nối máy hút bụi và các phụ kiện khác, bảo đảm các thiết bị này được nối và sử dụng tốt.** Việc sử dụng các thiết bị gom hút bụi có thể làm giảm các độc hại liên quan đến bụi gây ra.
- ▶ **Không để thói quen do sử dụng thường xuyên dụng cụ khiến bạn trở nên chủ quan và bỏ qua các quy định an toàn dụng cụ.** Một hành vi bất cẩn có thể gây ra thương tích nghiêm trọng chỉ trong tích tắc.

Sử dụng và bảo dưỡng dụng cụ điện cầm tay

- ▶ **Không được ép máy. Sử dụng dụng cụ điện cầm tay đúng loại theo đúng ứng dụng của bạn.** Dụng cụ điện cầm tay đúng chức năng sẽ làm việc tốt và an toàn hơn theo đúng tiến độ mà máy được thiết kế.
- ▶ **Không sử dụng dụng cụ điện cầm tay nếu như công tắc không tắt và mở được.** Bất kỳ dụng cụ điện cầm tay nào mà không thể điều khiển được bằng công tắc là nguy hiểm và phải được sửa chữa.
- ▶ **Rút phích cắm ra khỏi nguồn điện và/hay pin ra khỏi dụng cụ điện cầm tay nếu có thể tháo được, trước khi tiến hành bất kỳ điều chỉnh nào, thay phụ kiện, hay cắt dụng cụ điện cầm tay.** Các biện pháp ngăn ngừa như vậy làm giảm nguy cơ dụng cụ điện cầm tay khởi động bất ngờ.
- ▶ **Cắt giữ dụng cụ điện cầm tay không dùng tới nơi trẻ em không lấy được và không cho người chưa từng biết dụng cụ điện cầm tay hay các hướng dẫn này sử dụng dụng cụ điện cầm tay.** Dụng cụ điện cầm tay nguy hiểm khi ở trong tay người chưa được chỉ cách sử dụng.
- ▶ **Bảo quản dụng cụ điện cầm tay và các phụ kiện. Kiểm tra xem các bộ phận chuyển động có bị sai lệch hay kẹt, các bộ phận bị rạn nứt và các tình trạng khác có thể ảnh hưởng đến sự vận hành của máy. Nếu bị hư hỏng, phải sửa chữa máy trước khi sử dụng.** Nhiều tai nạn xảy ra do bảo quản dụng cụ điện cầm tay tồi.
- ▶ **Giữ các dụng cụ cắt bén và sạch.** Bảo quản đúng cách các dụng cụ cắt có cạnh cắt bén làm giảm khả năng bị kẹt và dễ điều khiển hơn.
- ▶ **Sử dụng dụng cụ điện cầm tay, phụ kiện, đầu cài v. v., đúng theo các chỉ dẫn này, hãy lưu ý đến điều kiện làm việc và công việc phải thực hiện.** Sự sử dụng dụng cụ điện cầm tay khác với mục đích thiết kế có thể tạo nên tình huống nguy hiểm.
- ▶ **Giữ tay cầm và bề mặt nắm luôn khô ráo, sạch sẽ và không dính dầu mỡ.** Tay cầm và bề mặt nắm trơn trượt không đem lại thao tác an toàn và kiểm soát dụng cụ trong các tình huống bất ngờ.

Bảo dưỡng

- ▶ **Đưa dụng cụ điện cầm tay của bạn đến thợ chuyên môn để bảo dưỡng, chỉ sử dụng phụ tùng đúng chủng loại để thay.** Điều này sẽ đảm bảo sự an toàn của máy được giữ nguyên.

Cảnh báo về an toàn của máy cắt

- ▶ **Bạn và người đứng xung quanh phải tránh xa đĩa quay của máy bào.** Vành bảo vệ giúp bảo vệ người vận hành tránh các mảnh vỡ đĩa mài, tiếp xúc do vô tình với đĩa mài.
- ▶ **Chỉ sử dụng các đĩa cắt cốt thép dính bám cho dụng cụ điện của bạn.** Bởi vì phụ kiện có thể gắn được với dụng cụ điện cầm tay của bạn, nhưng nó không đảm bảo hoạt động an toàn.
- ▶ **Tốc độ định mức của phụ kiện tối thiểu phải bằng tốc độ tối đa được ghi trên dụng cụ điện cầm tay.** Các phụ kiện chạy nhanh hơn tốc độ định mức của chúng có thể bị vỡ và văng ra.
- ▶ **Phải sử dụng các đĩa mài được chỉ định riêng cho từng công việc.** Ví dụ: không được mài bằng cạnh của đĩa cắt. Các đĩa cắt bằng nhôm chỉ được sử dụng cho mài mép, các lực biên tác dụng vào các đĩa cắt này có thể làm chúng bị vỡ.
- ▶ **Luôn sử dụng các bích đệm đĩa không bị hư hỏng đúng đường kính cho đĩa đã chọn của bạn.** Các bích đệm đĩa phù hợp đỡ đĩa mài cho phép làm giảm khả năng vỡ đĩa.
- ▶ **Đường kính ngoài và độ dày của phụ kiện phải nằm trong định mức công suất của dụng cụ điện cầm tay của bạn.** Không thể bảo vệ hoặc kiểm soát phù hợp các phụ kiện sai kích cỡ.
- ▶ **Kích cỡ đĩa cắt và bích đệm phải vừa khớp với trục quay của dụng cụ điện.** Đĩa cắt và bích đệm các lỗ trục không khớp với các phụ kiện cứng ghép nối của dụng cụ điện cầm tay sẽ làm mất cân bằng, rung lắc quá mức và có thể làm mất kiểm soát.
- ▶ **Không được sử dụng các đĩa mài bị hư hỏng.** Trước mỗi lần sử dụng, cần kiểm tra kỹ các phoi mài và rạn nứt của đĩa mài. Nếu làm rơi dụng cụ điện cầm tay hoặc đĩa mài, cần kiểm tra hư hỏng hoặc thay thế bằng đĩa mài không bị hư hỏng. Sau khi kiểm tra và thay thế đĩa mài, bạn và người đứng xung quanh phải tránh đĩa xoay của máy bào và khởi động dụng cụ điện ở tốc độ không tải tối đa trong vòng một phút. Các đĩa mài bị hư hỏng thường bị vỡ dôi trong quá trình chạy thử này.
- ▶ **Mặc thiết bị bảo hộ cá nhân.** Tùy thuộc vào từng công việc, hãy sử dụng mặt nạ, kính bảo vệ hoặc kính an toàn. Nếu có, hãy đeo mặt nạ chống bụi, dụng cụ bảo vệ tai, găng tay và tạp dề lao động có thể ngăn chặn mảnh vỡ hoặc các mảnh vụn của phoi. Dụng cụ bảo vệ mắt phải có khả năng ngăn chặn mảnh vỡ bắn ra do các thao tác khác nhau sinh

ra. Mặt nạ chống bụi hoặc mặt nạ chống độc phải có khả năng lọc các tạp chất do thao tác của bạn sinh ra. Việc tiếp xúc lâu với tiếng ồn quá cao có thể làm giảm thính giác.

- ▶ **Hãy cách ly người xung quanh tránh xa khu vực làm việc một khoảng cách an toàn. Bất kỳ ai đi vào khu vực làm việc phải mặc thiết bị bảo hộ cá nhân.** Các mảnh vỡ của phoi hoặc của đĩa mài bị vỡ có thể văng ra ngoài khỏi khu vực làm việc và có thể gây tổn thương.
- ▶ **Để dây điện tránh xa phần phụ kiện quay.** Nếu bạn mất kiểm soát, dây điện có thể bị đứt hoặc mài mòn và bàn tay hoặc tay của bạn có thể bị kéo vào phần đĩa quay.
- ▶ **Thường xuyên vệ sinh các lỗ thông khí của dụng cụ điện cầm tay.** Quạt của mô tơ có thể hút bụi bẩn vào trong vỏ ngoài và việc tích tụ quá mức mặt kim loại có thể gây ra các rủi ro điện giật.
- ▶ **Không được vận hành dụng cụ điện cầm tay gắn các vật liệu dễ cháy. Không được vận hành dụng cụ điện cầm tay đặt trên bề mặt dễ cháy như gỗ.** Các tia lửa có thể đốt cháy các vật liệu đó.
- ▶ **Không được sử dụng các phụ kiện cần sử dụng các dung dịch làm nguội.** Việc sử dụng nước hoặc các dung dịch làm nguội khác có thể gây ra điện giật.

Lực phản hồi và các cảnh báo liên quan

Lực phản hồi là một lực tác động đột ngột lên đĩa quay bị ép hoặc mài mòn. Việc ép hoặc mài mòn làm cho đĩa quay dừng gấp sau đó gây ra tác động mạnh vào **thiết bị cắt** không kiểm soát được hướng lên về phía người vận hành.

Ví dụ, nếu đĩa mài bị mài mòn hoặc ép bởi phoi gia công, mép của đĩa mài tiếp xúc với điểm ép có thể tạo rãnh bề mặt của vật liệu làm cho đĩa mài nhô ra hoặc va đập. Các đĩa mài cũng có thể bị vỡ trong các trường hợp này.

Lực phản hồi là do việc sử dụng sai và/hoặc quy trình hoặc điều kiện vận hành sai dụng cụ điện cầm tay và có thể phòng tránh bằng cách áp dụng các biện pháp phòng ngừa phù hợp được nêu dưới đây.

- ▶ **Giữ chặt dụng cụ điện cầm tay và giữ cho cơ thể và tay của bạn chắc chắn cho phép bạn chịu được các lực phản hồi.** Người vận hành có thể kiểm soát được các lực phản hồi hướng lên nếu áp dụng các biện pháp phòng ngừa phù hợp.
- ▶ **Không được đứng song song với đĩa quay.** Nếu máy sinh ra lực phản hồi, nó sẽ đẩy thiết bị cắt hướng lên về phía người vận hành.
- ▶ **Không được lắp thêm lưỡi của gỗ dạng lưỡi cưa xích, đĩa kim cương hình quạt có khe hở ngoài lớn hơn 10 mm hoặc lưỡi cưa có răng.**

Các lưỡi như vậy có thể tạo lực phản hồi thường xuyên và làm mất kiểm soát.

- ▶ **Không được làm kẹt đĩa hoặc tỳ đè quá lực. Không được cố gắng cắt sâu quá mức.** Việc tạo ứng suất quá mức lên đĩa làm tăng tải và dễ gây ra xoắn hoặc kẹt đĩa trong khi cắt và có thể tạo lực phản hồi hoặc làm vỡ đĩa.
- ▶ **Khi đĩa bị kẹt hoặc khi dừng cắt vì lý do nào đó, hãy tắt nguồn dụng cụ điện cầm tay và giữ cố định thiết bị cắt tới khi đĩa đã dừng quay hẳn. Tuyệt đối không cố gắng tháo đĩa ra trong khi đĩa vẫn đang quay nếu không lực phản hồi có thể xảy ra.** Kiểm tra và có biện pháp khắc phục để loại bỏ nguyên nhân kẹt đĩa.
- ▶ **Không được khởi động lại thao tác cắt khi bị kẹt trong phôi. Để đĩa quay đạt tốc độ cực đại và cẩn thận khởi động lại đường cắt.** Đĩa có thể bị kẹt, nảy lên hoặc tác động trở lại nếu khởi động lại dụng cụ điện kẹt trong phôi.
- ▶ **Sử dụng phôi quá kích cỡ bất kỳ để giảm thiểu nguy cơ ép đĩa và lực phản hồi.** Các phôi lớn thường vồng xuống dưới trọng lượng riêng của chúng. Cần phải đặt các tấm đỡ phía dưới phôi gần đường cắt và gần cạnh của phôi về cả hai phía của đĩa cắt.

Các cảnh báo phụ thêm

- ▶ **Bảo quản an toàn cho máy khi không sử dụng.** Nơi bảo quản máy phải khô ráo và có thể khóa lại được. Điều này phòng tránh cho máy không bị hư hại khi lưu kho, và ngăn người chưa được học cách sử dụng vận hành.
- ▶ **Không được cắt vật gia công quá nhỏ không thể kẹp được. Không được cắt vật gia công không kẹp được vì quá nhỏ.** Nếu không, khoảng cách giữa tay bạn với đĩa cắt đang quay là quá nhỏ.
- ▶ **Kiểm tra dây cáp dẫn điện thường xuyên và sự sửa chữa dây cáp bị hỏng chỉ được thông qua một đại lý ủy quyền dịch vụ khách hàng dụng cụ điện Bosch.** Thay dây cáp nối dài bị hư hỏng. Điều này sẽ đảm bảo sự an toàn của máy được giữ nguyên.
- ▶ **Có thể xảy ra thương tích nghiêm trọng khi dụng cụ điện bị lật nghiêng hay khi vô ý chạm vào lưỡi cưa.** Đảm bảo chắn bảo vệ lưỡi hoạt động đúng cách và có thể chuyển động tự do.
- ▶ **Luôn sử dụng nắp bảo vệ.** Chắn bảo vệ lưỡi bảo vệ người sử dụng không bị các mảnh vỡ của đĩa cắt văng trúng hay vô tình chạm vào đĩa cắt.
- ▶ **Không được hãm đĩa cắt cho dừng lại bằng cách tạo lực ép lên hông lưỡi cưa sau khi tắt máy.** Đĩa cắt có thể bị hư, vỡ bể hay dẫn đến sự dột ngước.

- ▶ **Không bao giờ rời khỏi máy trước khi máy đã hoàn toàn dừng hẳn.** Các dụng cụ cắt vẫn đang còn chạy có thể gây thương tích.

Các Biểu Tượng

Các biểu tượng sau đây có khả năng diễn đạt ý nghĩa về cách sử dụng dụng cụ điện cầm tay của bạn. Xin vui lòng ghi nhận các biểu tượng và ý nghĩa của chúng. Sự hiểu đúng các biểu tượng sẽ giúp bạn sử dụng máy một cách tốt và an toàn hơn.

Biểu tượng và các ý nghĩa của chúng



Hãy mang kính bảo hộ.



Hãy mang dụng cụ bảo vệ tai. Để tai trần tiếp xúc với tiếng ồn có thể làm mất thính giác.



Hãy mang mặt nạ chống bụi.



Để tay tránh khỏi phạm vi cắt khi máy đang hoạt động. Có nguy cơ gây thương tích khi chạm vào lưỡi cắt.



Hãy mang găng tay bảo vệ. Đĩa cắt sắc cạnh và có thể trở nên rất nóng trong lúc hoạt động.

Mô Tả Sản Phẩm và Đặc Tính Kỹ Thuật



Đọc kỹ mọi cảnh báo an toàn và mọi hướng dẫn. Không tuân thủ mọi cảnh báo và hướng dẫn được liệt kê dưới đây có thể bị điện giật, gây cháy và / hay bị thương tật nghiêm trọng.

Xin lưu ý các hình minh họa trong phần trước của hướng dẫn vận hành.

Sử dụng đúng cách

Dụng cụ điện này được sử dụng làm dụng cụ đục lập sử dụng đĩa cắt, mặt cắt dọc và mặt cắt ngang với hành trình cắt thẳng và vát ngang đến 45° vào các vật liệu kim loại mà không dùng nước.

Không cho phép sử dụng các đĩa cắt kim cương.

Các bộ phận được minh họa

Sự đánh số các biểu trưng của sản phẩm là để tham khảo hình minh họa của máy trên trang hình ảnh.

- (1) Nút nhà khóa của công tắc Tắt/Mở
- (2) Công tắc Tắt/Mở
- (3) Tay Nắm
- (4) Chấn đàn hồi bảo vệ lưỡi
- (5) Khóa trục
- (6) Dĩa cắt
- (7) Cỡ chặn góc
- (8) Trục kẹp vận
- (9) Chốt nhà nhanh
- (10) Tai hồng trục kẹp vận
- (11) Lỗ lắp bắt
- (12) Chia vận lục giác (8 mm)
- (13) Chân đế khuôn bao
- (14) Vấu kẹp
- (15) Giá đỡ chi tiết gia công cho phôi gia công có tiết diện tối đa 40 x 40
- (16) Vít khóa cỡ chỉnh đặt góc
- (17) Khóa an toàn dùng khi di chuyển
- (18) Tay máy
- (19) Tay nắm dùng khi di chuyển
- (20) Chấn bảo vệ lưỡi
- (21) Chấn che tia lửa
- (22) Trục máy
- (23) Bích kẹp
- (24) Vòng đệm
- (25) Đai ốc đầu sáu cạnh

Thông số kỹ thuật

Máy Mài Cắt Rời		GCO 14-24 J	
Mã số máy		3 601 M37 2..	
Công suất vào danh định	W		2400
Tốc độ không tải	min ⁻¹		3800
Khởi động Êm			●
Trọng lượng theo Qui trình EPTA-Procedure 01:2014	kg		18,0
Cấp độ bảo vệ			□/II

Kích thước vật gia công cho phép (tối đa/tối thiểu): Kích Thước Vật gia Công Cho Phép

Các giá trị đã cho có hiệu lực cho điện thế danh định [U] 230 V. Đối với điện thế thấp hơn và các loại máy dành riêng cho một số quốc gia, các giá trị này có thể thay đổi.

Kích thước thích hợp cho đĩa cắt

Đường kính đĩa cắt tối đa	mm	355
---------------------------	----	-----

Kích thước thích hợp cho đĩa cắt

độ dày đĩa cắt tối đa	mm	3
Lỗ lắp lưỡi cắt	mm	25,4

Sự lắp vào

► **Phòng ngừa máy khởi động bất ngờ. Trong khi lắp ráp hay có việc làm gì trên máy, phích cắm điện phải được rút ra khỏi nguồn cấp điện.**

Các món được giao

Lấy tất cả các bộ phận được giao kèm theo máy ra khỏi bao bì một cách cẩn thận.

Lấy tất cả các gói tài liệu hướng dẫn và các phụ kiện giao kèm ra khỏi máy.

Trước khi vận hành lần đầu, hãy kiểm tra dụng cụ điện xem tất cả các bộ phận theo thiết kế có được cung cấp đầy đủ không:

- Máy cắt đĩa có gắn đĩa cắt
- Chia vận lục giác (12)

Lưu ý: Hãy kiểm tra dụng cụ điện xem có hư hỏng nào không.

Trước khi tiến hành sử dụng máy, kiểm tra cẩn thận xem tất cả các chi tiết dùng bảo vệ hay các bộ phận bị hư hỏng nhẹ có hoạt động tốt và theo đúng quy định không. Tất cả các hư hỏng nhẹ phải được kiểm tra cẩn thận để bảo đảm sự hoạt động của dụng cụ được hoàn hảo. Tất cả các bộ phận phải được lắp ráp đúng cách và tất cả các điều kiện cần có phải được đáp ứng đúng và đủ để bảo đảm sự hoạt động được hoàn hảo.

Các chi tiết bảo vệ và các bộ phận hư hỏng phải được thay ngay thông qua một trung tâm bảo hành-bảo trì được ủy nhiệm.

Lắp bắt cố định hay linh hoạt

► **Để bảo đảm sự điều khiển được an toàn, máy phải được lắp bắt lên trên một bề mặt phẳng và vững chãi (vd. bàn thợ) trước khi sử dụng.**

Lắp ráp trên bề mặt gia công (xem Hình A)

– Bắt chắc dụng cụ điện bằng loại vít lắp bắt thích hợp lên trên bề mặt gia công. Các lỗ khoan dùng cho mục đích này (11).

Bàn linh hoạt (không khuyến cáo)

Nếu trong các trường hợp đặc biệt không thể siết dụng cụ điện lên một bề mặt làm việc một cách chắc chắn, bạn có thể chừa chân của tấm đế (13) để đảm bảo có bộ thích hợp (ví dụ như băng ghế, mặt đất phẳng, v.v.) mà không cần bắt vít cho dụng cụ điện.

Thay đĩa cắt (xem hình ảnh B1– B2)

► **Trước khi tiến hành bất cứ việc gì trên máy, kéo phích cắm điện nguồn ra.**

► **Chỉ kích hoạt khóa trực (5) khi trực dụng cụ đã đứng yên (22).** Nếu không, máy có thể bị làm hỏng.

► **Không được chạm vào đĩa cắt sau khi vừa hoạt động xong, trước khi đĩa cắt đã nguội.** Lưỡi cắt trở nên rất nóng trong thời gian hoạt động.

Chỉ sử dụng đĩa cắt đáp ứng được với số liệu đặc tính kỹ thuật đã cung cấp trong phần hướng dẫn sử dụng và đã được kiểm tra đúng với tiêu chuẩn EN 12413 và được đóng nhãn thích hợp.

Hãy sử dụng các lớp xen kẽ được giao kèm với đĩa cắt.

Xếp các đĩa cắt không sử dụng tới vào trong một vật đựng có nắp đậy hay trong bao bì chứa nó trước kia. Cố giữ đĩa cắt bằng cách đặt nằm.

Tháo Đĩa Cắt Ra

- Đặt máy ở vào tư thế hoạt động.
- Xoay chắn đàn hồi bảo vệ lưỡi về (4) phía sau đến cỡ chặn.
- Vặn vít đầu lục giác (25) bằng khóa đầu lục giác (12) và đồng thời ấn khóa hãm trực (5), cho đến khi khớp vào.
- Nhấn giữ khóa trực và vặn vít đầu lục giác (25) ra.
- Tháo vòng đệm (24) và bích kẹp (23).
- Lấy đĩa cắt ra (6).

Lắp Đĩa Cắt

Nếu thấy cần, làm sạch tất cả các bộ phận sắp lắp vào trước khi ráp.

- Đặt đĩa cắt mới lên trực máy (22), để nhãn dán cách xa khỏi tay máy.
- Gắn bích kẹp (23), vòng đệm (24) và vít đầu lục giác (25) vào. Ấn khóa hãm trực (5) cho đến khi vào khớp và hãy vặn chặt vít đầu sáu cạnh (25) theo chiều kim đồng hồ. (Mô men xoắn siết chặt khoảng 18–20 Nm)
- Kéo nắp bảo vệ lưỡi cửa (4) chậm chậm xuống hết cho đến khi đĩa cắt được che lại.
- Đảm bảo chắn đàn hồi bảo vệ lưỡi (4) hoạt động đúng quy định.

Sau khi lắp đĩa cắt vào, và trước khi mở máy, kiểm tra lại xem đĩa cắt có lắp vào đúng cách, và có thể quay tự do được hay không.

- Hãy đảm bảo rằng đĩa cắt không chạm vào chắn đàn hồi bảo vệ lưỡi (4), chắn bảo vệ lưỡi cố định (20) hoặc các bộ phận khác.
 - Cho máy hoạt động khoảng 30 giây.
- Giả sử như máy có hiện tượng rung đáng kể xảy ra, tắt máy ngay lập tức; tháo đĩa cắt ra và lắp đĩa cắt vào lại lần nữa.

Vận Hành

► **Trước khi tiến hành bất cứ việc gì trên máy, kéo phích cắm điện nguồn ra.**

Khóa an toàn dùng khi di chuyển (xem Hình C)

Khóa an toàn dùng khi di chuyển (17) cho phép xử lý dụng cụ điện dễ dàng hơn khi di chuyển máy đến các địa điểm làm việc khác nhau.

Tháo Khóa Máy (Vị Trí Hoạt Động)

- Ấn nhẹ dụng cụ xuống ở vị trí tay nắm (3) để nhả khóa an toàn dùng khi di chuyển (17).
- Kéo khóa an toàn dùng khi di chuyển (17) hoàn toàn rời ra ngoài.
- Nhấc tay máy lên từ từ.

Lưu ý: Khi làm việc hãy lưu ý rằng thiết bị an toàn vận chuyển không được ấn vào trong, nếu không tay máy có thể không được xoay tới độ sâu mong muốn.

Bảo Vệ An Toàn Máy (Vị Trí Di Chuyển)

- Kéo tay máy xuống cho đến khi khóa an toàn dùng để di chuyển (17) được ấn hoàn toàn vào trong.

Hướng dẫn khác về vận chuyển (xem „Vận chuyển“, Trang 61).

Điều chỉnh góc vát ngang (xem Hình D)

Góc xiên ngang có thể được điều chỉnh trong phạm vi từ 0° đến 45°.

Các giá trị điều chỉnh quan trọng được đánh dấu bằng các ký hiệu tương ứng trên cỡ chặn góc (7). Vị trí 0° và 45° có thể được đảm bảo thông qua cỡ chặn cuối tương ứng.

- Nới lỏng các đinh ốc hãm (16) của cỡ chặn góc bằng khóa đầu lục giác đi kèm (12) (8 mm).
- Hãy thiết lập góc mong muốn và siết chặt lại cả hai đinh ốc hãm (16).

Chuyển vị trí cỡ định góc (xem Hình D–E)

Bạn có thể dịch chuyển cỡ chặn góc (7) ra sau, nếu bạn muốn cắt phôi gia công với chiều rộng hơn 140 mm.

- Vặn các đinh ốc hãm ra (16) bằng khóa đầu lục giác đi kèm (12) (8 mm).
- Hãy dịch chuyển cỡ chặn góc (7) ở khoảng cách mong muốn thêm một hoặc hai lỗ khoan.
- Hãy thiết lập góc mong muốn và siết chặt lại cả hai đinh ốc hãm (16).

Kẹp Cố Định Vật Gia Công

Để đảm bảo an toàn lao động tốt nhất, vật gia công phải luôn luôn được kẹp chặt.

Nếu không, khoảng cách từ tay của bạn đến lưỡi cửa đang quay là quá nhỏ.

Cố định vật gia công (xem Hình E)

- Hãy đặt phôi gia công lên cỡ chặn góc (7).
- Hãy đẩy trực kẹp vận (8) lên phôi gia công và kẹp chặt phôi gia công bằng tai hồng trực kẹp vận (10).

Gắn phôi gia công (Tiết diện tối đa 40 x 40 mm) lên giá đỡ chi tiết gia công (xem hình F – H)

- Hãy điều chỉnh góc vát 0° tiêu chuẩn ở cỡ chặn góc (7).
- Nâng nhẹ giá đỡ chi tiết gia công (15) và đẩy nó qua khe trong cỡ chặn góc.
- Hãy treo móc của giá đỡ chi tiết gia công vào lỗ của vấu kẹp (14).
- Hãy đặt phôi gia công vào giá đỡ chi tiết gia công (15).
- Hãy đẩy trực kẹp vận (8) lên phôi gia công và kẹp chặt phôi gia công bằng tai hồng trực kẹp vận (10).
- ▶ **Hãy đảm bảo rằng giá đỡ chi tiết gia công được kết nối cố định với vấu kẹp và không nghiêng, nếu bạn đỡ phôi gia công.**
- ▶ **Hãy đảm bảo rằng chiều cao của phôi gia công trên giá đỡ chi tiết gia công tối đa là 40 mm. Không thể kẹp chặt các phôi gia công cao hơn.**
- ▶ **Đảm bảo rằng giá đỡ chi tiết gia công được đẩy hoàn toàn vào cỡ chặn góc sau khi sử dụng. Móc nhỏ ra ngăn không cho phôi gia công được kẹp chặt.**

Giải Phóng Vật Gia Công

- Nhả tai hồng trực kẹp vận (10).
- Hãy gấp chốt nhả nhanh (9) và kéo trực kẹp vận (8) khỏi phôi gia công.

Bắt Đầu Vận Hành

- ▶ **Tuân thủ theo đúng điện thế!** Điện thế của nguồn điện cung cấp phải phù hợp với các số liệu được ghi trên nhãn mác của bộ nạp điện pin. Các thiết bị sạc ghi 230 V cũng có thể được vận hành ở 220 V.
- ▶ **Kiểm tra đĩa cắt trước khi sử dụng. Đĩa cắt phải được lắp vào đúng cách và có thể chuyển động tự do. Tiến hành chạy thử máy không tải ít nhất là 30 giây. Không được sử dụng đĩa cắt bị hỏng, chạy lệch tâm hay bị rung lắc.** Đĩa cắt đã bị hư có thể bị vỡ tung và gây thương tích.

Bụi từ các vật liệu như có chứa lớp phủ chì, khoáng chất (sỏi đá) hay kim loại có thể nguy hại cho sức khỏe con người. Dụng cụ chạm hay hít thở các bụi này có thể làm người sử dụng hay đứng gần bị dị ứng và/hoặc gây nhiễm trùng hệ hô hấp.

Một số loại bụi cụ thể được xem là nguy hiểm, đặc biệt có liên quan đến các hợp kim như kẽm, nhôm hoặc crom. Có thể chỉ nên để thợ chuyên môn gia công các loại vật liệu có chứa amiăng.

- Tạo không khí thông thoáng nơi làm việc.
- Khuyến nghị nên mang mặt nạ phòng độc có bộ lọc cấp P2.

Tuân thủ các qui định của quốc gia bạn liên quan đến loại vật liệu gia công.

Đĩa cắt có thể bị tắc bởi bụi, vụn của hoặc các đoạn rời của sản phẩm ở chỗ lõm của tấm đế (13).

- Tắt máy và kéo phích cắm điện nguồn ra khỏi ổ cắm.
- Đợi cho đến khi đĩa cắt ngừng quay hoàn toàn.
- Kéo nghiêng máy ra sau để cho các mảnh nhỏ của vật gia công có thể rớt ra ngoài khoảng trống được thiết kế cho mục đích này. Nếu cần thiết, hãy sử dụng một dụng cụ thích hợp để gỡ bỏ tất cả các mảnh vụn của vật gia công ra.

- ▶ **Tránh không để rác tích tụ tại nơi làm việc.** Rác có thể dễ dàng bắt lửa.

Tư thế của người thao tác

- ▶ **Bạn không được đứng thẳng với đĩa cắt phía trước dụng cụ điện, mà hãy luôn đứng bên cạnh đĩa cắt.** Biện pháp này nhằm bảo vệ tốt hơn cho thân thể bạn, ngăn tránh khả năng có các mảnh vụn văng ra trong trường hợp đĩa cắt bị vỡ.

Bật và tắt (xem Hình I)

- Để **vận hành** hãy nhấn khóa an toàn (1). Sau đó hãy nhấn công tắc Bật/tắt (2) và nhấn giữ.

Lưu ý: Vì lý do an toàn, không thể mở khóa công tắc Tắt/Mở (2), mà phải luôn bấm giữ trong khi vận hành dụng cụ.

- Để **Tắt máy** thả công tắc Tắt/Mở (2) ra.

Khởi động Êm

Tính năng của sự khởi động điện tử êm hạn chế được lực vận khi khởi động máy và làm tăng tuổi thọ của động cơ.

Hướng Dẫn Sử Dụng

Hướng Dẫn Tổng Quát Trong Gia Công Cắt

- ▶ **Không được chạm vào đĩa cắt sau khi vừa hoạt động xong, trước khi đĩa cắt đã nguội.** Lưỡi cắt trở nên rất nóng trong thời gian hoạt động.
- ▶ **Hãy đảm bảo rằng chắn che tia lửa (21) được lắp đúng.** Khi mài kim loại sẽ xuất hiện tia lửa điện bay ra.

Bảo vệ đĩa cắt không bị đập mạnh, va đập hay dính dầu mỡ. Không để cho đĩa cắt phải chịu lực áp lên hông.


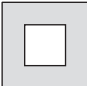
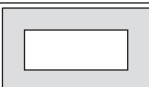

Không được bắt dụng cụ điện làm việc quá sức đến mức dừng hoạt động.

Nạp tải quá đáng làm giảm thấy rõ hiệu năng của máy và làm giảm tuổi thọ của đĩa cắt.

Chỉ sử dụng đĩa cắt thích hợp cho loại vật liệu được gia công.

Kích Thước Vật gia Công Cho Phép

Vật gia công **Tối đa:**

Hình Dạng Vật Gia Công	Góc vát ngang	
	0°	45°
	129 Ø	128 Ø
	119 x 119	110 x 110
	100 x 196	107 x 115
	130 x 130	115 x 115

Phôi gia công tối thiểu

(= tất cả phôi gia công mà có thể được kẹp chặt bằng trục kẹp vận (8)): Chiều dài 80 mm

Cỡ sâu cắt tối đa (0°/0°): 129 mm

Cắt Kim Loại

- Nếu cần hãy thiết lập góc xiêng ngang mong muốn.
- Kẹp vật gia công thật chặt phù hợp với kích thước của nó.
- Bật công tắc cho máy hoạt động.
- Cắm vào tay nắm (3) và chậm chậm kéo tay máy xuống.
- Cắt vật gia công bằng lực gia tải đồng đều.
- Tắt máy và đợi cho đến khi đĩa cắt đã hoàn toàn dừng quay hẳn.
- Nhấc tay máy lên từ từ.

Vận chuyển

- Vận chuyển dụng cụ điện bằng tay xách dùng để vận chuyển (19).
- ▶ **Khi vận chuyển dụng cụ điện, chỉ sử dụng các thiết bị dùng vận chuyển và không bao giờ sử dụng thiết bị bảo vệ để mang hay xách.**

Bảo Dưỡng và Bảo Quản**Bảo Dưỡng Và Làm Sạch**

- ▶ **Trước khi tiến hành bất cứ việc gì trên máy, kéo phích cắm điện nguồn ra.**
- ▶ **Để được an toàn và máy hoạt động đúng chức năng, luôn luôn giữ máy và các khe thông gió được sạch.**

Nếu như cần phải thay dây dẫn điện thì công việc này phải do hãng **Bosch**, hay một đại lý được **Bosch** ủy nhiệm thực hiện để tránh gặp sự nguy hiểm do mất an toàn.

- ▶ **Thường xuyên làm sạch các khe thông gió của dụng cụ điện.** Quạt gió motor sẽ kéo bụi nằm trong vỏ máy ra và sự tích tụ quá nhiều bột kim loại có thể gây nên các nguy hiểm về điện.
- ▶ **Luôn sử dụng thiết bị hút nếu có khả năng khi vận hành dụng cụ trong điều kiện khắc nghiệt. Thường xuyên thổi sạch các khe thông gió và lắp đặt thiết bị ngắt mạch tự động (PRCD).** Khi gia công kim loại, các loại hạt bụi dẫn điện có thể lọt vào trong dụng cụ điện. Toàn bộ sự cách điện của dụng cụ điện có thể bị mất tác dụng.
- ▶ **Hãy chỉ để công việc bảo trì và sửa chữa được thực hiện bởi người có chuyên môn được đào tạo.** Bằng cách này, ta có thể đảm bảo sự an toàn của dụng cụ điện vẫn được giữ nguyên.

Chấn bảo vệ lưới đàn hồi phải luôn luôn có thể chuyển động tự do, co thắt tự động. Vì vậy, luôn luôn giữ cho phạm vi chung quanh chấn bảo vệ lưới đàn hồi được sạch.

Phụ kiện**Mã số máy****Các đĩa cắt cho vật liệu kim loại**

Đĩa cắt 355 x 25,4 mm	2 608 600 208
Đĩa cắt 355 x 25,4 mm	2 608 600 223

Dịch vụ hỗ trợ khách hàng và tư vấn sử dụng

Bộ phận phục vụ hàng sau khi bán của chúng tôi trả lời các câu hỏi liên quan đến việc bảo dưỡng và sửa chữa các sản phẩm cũng như phụ tùng thay thế của bạn. Sơ đồ mô tả và thông tin về phụ tùng thay thế cũng có thể tra cứu theo dưới đây:

www.bosch-pt.com

Đội ngũ tư vấn sử dụng của Bosch sẽ giúp bạn giải đáp các thắc mắc về sản phẩm và phụ kiện.

Trong tất cả các phản hồi và đơn đặt phụ tùng, xin vui lòng luôn luôn nhập số hàng hóa 10 chữ số theo nhãn của hàng hóa.

Việt Nam

CN CÔNG TY TNHH BOSCH VIỆT NAM TẠI TP.HCM

Tầng 14, Ngôi Nhà Đức, 33 Lê Duẩn

Phường Bến Nghé, Quận 1, Thành Phố Hồ Chí Minh

Tel.: (028) 6258 3690

Fax: (028) 6258 3692 - 6258 3694

Hotline: (028) 6250 8555

Email: tuvankhachhang-pt@vn.bosch.com

www.bosch-pt.com.vn

www.baohanhbosch-pt.com.vn

Xem thêm địa chỉ dịch vụ tại:

www.bosch-pt.com/serviceaddresses

Sự thải bỏ

Máy, linh kiện và bao bì phải được phân loại để tái chế theo hướng thân thiện với môi trường.



Không được thải bỏ dụng cụ điện vào chung với rác sinh hoạt!

مخصص للاستعمال الخارجي من خطر الصدمات الكهربائية.

◀ **إن لم يكن بالإمكان تجنب تشغيل العدة الكهربائية في الأجواء الرطبة، فاستخدم مفتاح للوقاية من التيار المتخلف.** إن استخدام مفتاح للوقاية من التيار المتخلف يقلل خطر الصدمات الكهربائية.

أمان الأشخاص

◀ **كن يقظا وانتبه إلى ما تفعله واستخدم العدة الكهربائية بتعقل.** لا تستخدم عدة كهربائية عندما تكون متعبا أو عندما تكون تحت تأثير المخدرات أو الكحول أو الأدوية. عدم الانتباه للحظة واحدة عند استخدام العدة الكهربائية قد يؤدي إلى إصابات خطيرة.

◀ **قم لارتداء تجهيزات الحماية الشخصية. وارتد دائما نظارات واقية.** يعد ارتداء تجهيزات الحماية الشخصية، كقناع الوقاية من الغبار وأحذية الأمان الواقية من الانزلاق والحدوث أو واقية الأذنين، حسب ظروف استعمال العدة الكهربائية، من خطر الإصابة بجروح.

◀ **تجنب التشغيل بشكل غير مقصود.** تأكد من كون العدة الكهربائية مطفأة قبل توصيلها بالتيار الكهربائي و/أو بالمركم، وقبل رفعها أو حملها. إن كنت تضع إصبعك على المفتاح أثناء حمل العدة الكهربائية أو إن وصلت الجهاز بالشبكة الكهربائية بينما لا مفتاح على وضع التشغيل، قد يؤدي إلى وقوع الحوادث.

◀ **انزع أداة الضبط أو مفتاح الربط قبل تشغيل العدة الكهربائية.** قد تؤدي الأداة أو المفتاح المتواجد في جزء دوار من الجهاز إلى الإصابة بجروح.

◀ **تجنب أوضاع الجسم غير الطبيعية.** قف بأمان وحافظ على توازنك دائما. سيسمح لك ذلك بالتمكّن في الجهاز بشكل أفضل في المواقف الغير متوقعة.

◀ **قم بارتداء ثياب مناسبة.** لا ترتد الثياب الفضفاضة أو الحلى. احرص على إبقاء الشعر والملابس بعيدا عن الأجزاء المتحركة. قد تتشابك الثياب الفضفاضة والحلى والشعر الطويل بالأجزاء المتحركة.

◀ **إن جاز تركيب تجهيزات شفط وتجميع الغبار، فتأكد من أنها موصولة وبأنه يتم استخدامها بشكل سليم.** قد يقلل استخدام تجهيزات لشفط الغبار من المخاطر الناتجة عن الغبار.

◀ **لا تستخدم العدة الكهربائية بلا مبالاة وتجاهل قواعد الأمان الخاصة بها نتيجة لتعودك على استخدام العدة الكهربائية وكثرة استخدامها.** فقد يتسبب الاستخدام دون حرص في حدوث إصابة بالغة تحدث في أجزاء من الثانية.

◀ **استخدام العدد الكهربائية والعناية بها لا تفرط بتحميل الجهاز. استخدم لتتفقد أشغالك العدة الكهربائية المخصصة لذلك.** إنك تعمل بشكل أفضل وأكثر أماناً بواسطة العدة الكهربائية الملائمة في مجال الأداء المذكور.

◀ **لا تستخدم العدة الكهربائية إن كان مفتاح تشغيلها تالف.** العدة الكهربائية التي لم يعد من

عربي

إرشادات الأمان

تحذيرات أمان عامة للعدد الكهربائية

تحذير اطلع على كافة تحذيرات الأمان والتعليمات والصور والمواصفات المرفقة بالعدة الكهربائية. عدم اتباع التعليمات الواردة أدناه قد يؤدي إلى حدوث صدمة كهربائية، إلى نشوب حريق و/أو الإصابة بجروح خطيرة.

احتفظ بجميع الملاحظات التحذيرية والتعليمات للمستقبل.

يقصد بمصطلح «العدة الكهربائية» المستخدم في الملاحظات التحذيرية، العدد الكهربائية الموصولة بالشبكة الكهربائية (بواسطة كابل الشبكة الكهربائية) وأيضاً العدد الكهربائية المزودة بمركم (دون كابل الشبكة الكهربائية).

الأمان بمكان الشغل

◀ **حافظ على نظافة مكان شغلك وإضاءةه بشكل جيد.** الفوضى في مكان الشغل ونطاقات العمل غير المضاء قد تؤدي إلى وقوع الحوادث.

◀ **لا تشغل بالعدة الكهربائية في نطاق معرض لخطر الانفجار مثل الأماكن التي تتوفر فيه السوائل أو الغازات أو الأبخرة القابلة للاشتعال.** العدد الكهربائية تولد شرراً قد يتطاير، فيشعل الأبخرة والأبخرة.

◀ **حافظ على بقاء الأطفال وغيرهم من الأشخاص بعيدا عندما تستعمل العدة الكهربائية.** تشتت الانتباه قد يتسبب في فقدان السيطرة على الجهاز.

الأمان الكهربائي

◀ **يجب أن يتلائم قابس العدة الكهربائية مع المقبس.** لا يجوز تغيير القابس بأي حال من الأحوال. لا تستعمل القوايس المهائية مع العدد الكهربائية المؤرّضة (ذات طرف أرضي). تخفّض القوايس التي لم يتم تغييرها والمقابس الملائمة من خطر الصدمات الكهربائية.

◀ **تجنب ملامسة جسمك للأسطح المؤرّضة كالأنابيب والمبردات والمواقد أو التلجّات.** يزداد خطر الصدمات الكهربائية عندما يكون جسمك مؤرّض أو موصل بالأرضي.

◀ **أبعد العدة الكهربائية عن الأمطار أو الرطوبة.** يزداد خطر الصدمات الكهربائية إن تسرب الماء إلى داخل العدة الكهربائية.

◀ **لا تسئ استعمال الكابل. لا تستخدم الكابل في حمل العدة الكهربائية أو سحبها أو سحب القابس من المقبس.** احرص على إبعاد الكابل عن الحرارة والزيت والحواف الحادة أو الأجزاء المتحركة. تزيد الكابلات التالفة أو المتشابكة من خطر الصدمات الكهربائية.

◀ **عند استخدام العدة الكهربائية خارج المنزل اقتصر على استخدام كابلات التمديد الصالحة للاستعمال الخارجي.** يقلل استعمال كابل تمديد

- ◀ يمكن التحكم بها عن طريق مفتاح التشغيل والإطفاء تعتبر خطيرة ويجب أن يتم إصلاحها.
- ◀ **اسحب القابس من المقبس و/أو اخلع المركب، إذا كان قابلاً للخلع، قبل ضبط الجهاز وقبل استبدال الملحقات أو قبل تخزين الجهاز.** تمنع هذه الإجراءات وقائية تشغيل العدة الكهربائية بشكل غير مقصود.
- ◀ **احتفظ بالعدد الكهربائية التي لا يتم استخدامها بعيداً عن متناول الأطفال.** لا تسمح باستخدام العدة الكهربائية لمن لا خبرة له بها أو لمن لم يقرأ تلك التعليمات. العدد الكهربائية خطيرة إن تم استخدامها من قبل أشخاص دون خبرة.
- ◀ **اعتن بالعدد الكهربائية والملحقات بشكل جيد.** تأكد أن أجزاء الجهاز المتحركة مركبة بشكل سليم وغير مستعصية عن الحركة، وتفحص ما إن كانت هناك أجزاء مكسورة أو في حالة تؤثر على سلامة أداء العدة الكهربائية. ينبغي إصلاح هذه الأجزاء التالفة قبل إعادة تشغيل الجهاز. الكثير من الموادث مصدرها العدد الكهربائية التي تتم صيانتها بشكل رديء.
- ◀ **احرص على إبقاء عدد القطع نظيفة وحادة.** إن عدد القطع ذات حواف القطع المادة التي تم صيانتها بعناية تتكلم بشكل أقل ويمكن توجيهها بشكل أيسر.
- ◀ **استخدم العدد الكهربائية والتوابع وربش الشغل إلخ.** وفقاً لهذه التعليمات. تراعى أثناء ذلك ظروف الشغل والعمل المراد تنفيذه. استخدام العدد الكهربائية لغير الأشغال المخصصة لأجلها قد يؤدي إلى حدوث الحالات الخطيرة.
- ◀ **احرص على إبقاء المقابض وأسطح المسك جافة ونظيفة وخالية من الزيوت والشحوم.** المقابض وأسطح المسك الزلقة لا تتبع التشغيل والتحكم الآمن في العدة في المواقف غير المتوقعة.
- ◀ **الخدمة**
- ◀ **احرص على إصلاح عدتك الكهربائية فقط بواسطة العمال المتخصصين وباستعمال قطع الغيار الأصلية فقط.** يضمن ذلك المحافظة على أمان الجهاز.
- ◀ **تحذيرات السلامة الخاصة بماكينه القطع**
- ◀ **ابتعد أنت ومن حولك عن سطح القرص الدوار.** تعمل الواقية على حماية المشغل من شطايا القرص في حالة انكساره ومن التلامس غير المقصود مع القرص.
- ◀ **اقتصر على استخدام أقراص قطع مترابطة ومقواة مع عدتك الكهربائية.** لا تعني إمكانية تركيب ملحق بالعدة الكهربائية ضمان تشغيله بشكل آمن.
- ◀ **يجب أن تتساوى السرعة الاسمية للملحق على الأقل مع السرعة القصوى المدونة على العدة الكهربائية.** الملحقات التي تدور بسرعة أعلى من سرعتها الاسمية يمكن أن تنكسر وتطير بعيداً.
- ◀ **يجب الاقتصار في استخدام الأقراص على الاستخدامات الموصى بها.** على سبيل المثال: لا تقم بعملية الجلج باستخدام جانب قرص القطع. أقراص القطع الكاشطة مخصصة للجلج السطحي، وقد تتسبب القوى الجانبية المؤثرة على الأقراص في انكسارها.
- ◀ **احرص دائماً على استخدام فلانشات أقراص سليمة ذات قطر صحيح ومناسب للقرص المختار.** تعمل فلانشات الأقراص المناسبة على دعم القرص مما يقلل من إمكانية انكساره.
- ◀ **يجب أن يكون القطر الخارجي للملحقة وسمكها في إطار المقاسات المسموح بها لعدتك الكهربائية.** فالملحقات ذات المقاسات غير الصحيحة لا يمكن حمايتها أو التحكم فيها على نحو مناسب.
- ◀ **يجب أن يناسب مقاس التجويف الأوسط للأقراص والفلانشات التركيب في محور دوران العدة الكهربائية.** الأقراص والفلانشات ذات التجويف الأوسط الذي لا يناسب أجزاء تركيب العدة الكهربائية ستعرض لفقدان الاتزان والاهتزاز بشكل زائد وقد تتسبب في فقدان التحكم.
- ◀ **لا تستخدم أقراص بها أضرار.** قبل كل استخدام قم بفحص الأقراص من حيث وجود قطع مكسورة أو تشققات. في حالة تعرض العدة الكهربائية أو القرص للسقوط افحصهما من حيث وجود أضرار وقم بتركيب قرص سليم. بعد فحص القرص وتركيبه ابتعد أنت ومن حولك عن سطح القرص الدوار وقم بتشغيل العدة الكهربائية على أقصى سرعة بدون حمل لمدة دقيقة واحدة. ستتكسر الأقراص التي يوجد بها أضرار أثناء وقت الاختبار هذا.
- ◀ **احرص على ارتداء تجهيزات الحماية الشخصية.** تبعاً لطبيعة الاستخدام قم بارتداء واقية وجه أو واقية للعينين أو نظارة واقية. وعند الحاجة قم بارتداء قناع واق من الغبار وواقية للأذن وقفازات وسترة واقية قادرة على صد بقايا الكشط الصغيرة وشطايا قطعة الشغل. يجب أن تكون واقية العينين قادرة على صد الشطايا المتطايرة الناتجة عن الأعمال المختلفة. يجب أن يكون قناع الغبار أو الكمامة قادرين على ترشيح الجزيئات الصغيرة الناتجة عن عملك. التعرض إلى الضوء العالية لفترات طويلة قد يتسبب في فقدان القدرة على السمع.
- ◀ **أبعد المتواجدين حولك بمسافة أمان كافية عن مكان العمل.** لا بد أن يرتدي أي شخص يدخل مكان العمل تجهيزات الحماية الشخصية. قد تتطاير شطايا من قطعة الشغل أو القرص المنكسر بعيداً خارج النطاق القريب من مكان العمل لتسبب إصابات.
- ◀ **ضع السلك بعيداً عن الملحق الدوار.** في حالة فقدان السيطرة قد يتعرض السلك للانقطاع أو التمزق، وقد تنجذب يدك أو ذراعك إلى القرص الدوار.
- ◀ **احرص على تنظيف فتحات تهوية العدة الكهربائية بانتظام.** قد تسحب مروحة الموتور الغبار إلى داخل جسم العدة الكهربائية مما يتسبب في تراكم كبير للمسحوق المعدني الأمر الذي قد يؤدي إلى مخاطر كهربائية.

- ◀ **احرص دائماً على استخدام فلانشات أقراص سليمة ذات قطر صحيح ومناسب للقرص المختار.** تعمل فلانشات الأقراص المناسبة على دعم القرص مما يقلل من إمكانية انكساره.
- ◀ **يجب أن يكون القطر الخارجي للملحقة وسمكها في إطار المقاسات المسموح بها لعدتك الكهربائية.** فالملحقات ذات المقاسات غير الصحيحة لا يمكن حمايتها أو التحكم فيها على نحو مناسب.
- ◀ **يجب أن يناسب مقاس التجويف الأوسط للأقراص والفلانشات التركيب في محور دوران العدة الكهربائية.** الأقراص والفلانشات ذات التجويف الأوسط الذي لا يناسب أجزاء تركيب العدة الكهربائية ستعرض لفقدان الاتزان والاهتزاز بشكل زائد وقد تتسبب في فقدان التحكم.
- ◀ **لا تستخدم أقراص بها أضرار.** قبل كل استخدام قم بفحص الأقراص من حيث وجود قطع مكسورة أو تشققات. في حالة تعرض العدة الكهربائية أو القرص للسقوط افحصهما من حيث وجود أضرار وقم بتركيب قرص سليم. بعد فحص القرص وتركيبه ابتعد أنت ومن حولك عن سطح القرص الدوار وقم بتشغيل العدة الكهربائية على أقصى سرعة بدون حمل لمدة دقيقة واحدة. ستتكسر الأقراص التي يوجد بها أضرار أثناء وقت الاختبار هذا.
- ◀ **احرص على ارتداء تجهيزات الحماية الشخصية.** تبعاً لطبيعة الاستخدام قم بارتداء واقية وجه أو واقية للعينين أو نظارة واقية. وعند الحاجة قم بارتداء قناع واق من الغبار وواقية للأذن وقفازات وسترة واقية قادرة على صد بقايا الكشط الصغيرة وشطايا قطعة الشغل. يجب أن تكون واقية العينين قادرة على صد الشطايا المتطايرة الناتجة عن الأعمال المختلفة. يجب أن يكون قناع الغبار أو الكمامة قادرين على ترشيح الجزيئات الصغيرة الناتجة عن عملك. التعرض إلى الضوء العالية لفترات طويلة قد يتسبب في فقدان القدرة على السمع.
- ◀ **أبعد المتواجدين حولك بمسافة أمان كافية عن مكان العمل.** لا بد أن يرتدي أي شخص يدخل مكان العمل تجهيزات الحماية الشخصية. قد تتطاير شطايا من قطعة الشغل أو القرص المنكسر بعيداً خارج النطاق القريب من مكان العمل لتسبب إصابات.
- ◀ **ضع السلك بعيداً عن الملحق الدوار.** في حالة فقدان السيطرة قد يتعرض السلك للانقطاع أو التمزق، وقد تنجذب يدك أو ذراعك إلى القرص الدوار.
- ◀ **احرص على تنظيف فتحات تهوية العدة الكهربائية بانتظام.** قد تسحب مروحة الموتور الغبار إلى داخل جسم العدة الكهربائية مما يتسبب في تراكم كبير للمسحوق المعدني الأمر الذي قد يؤدي إلى مخاطر كهربائية.

يتحرك لأعلى أو بسبب صدمة ارتدادية في حالة إعادة تشغيل العدة الكهربائية بينما القرص داخل قطعة الشغل.

◀ **احرص على سند أي قطعة شغل كبيرة لتقليل مخاطر تعثر القرص أو الصدمة الارتدادية.**
تميل قطع الشغل الكبيرة للهبوط نتيجة لوزنها الكبير. يجب وضع سنادات أسفل قطعة الشغل بالقرب من خط القطع، وبالقرب من حافة قطعة الشغل على جانبي القرص.

إرشادات الأمان الإضافية

◀ **احتفظ بالعدة الكهربائية التي لا يتم استعمالها في مكان آمن. يجب أن يكون مكان التخزين جافاً وقابلًا للعلق.** يمنع ذلك تعرض العدة الكهربائية لأضرار بسبب تخزينها أو استخدامها من قبل أشخاص دون خبرة.

◀ **اقطع قطعة الشغل المرغوب معالجتها بإحكام دائماً. لا تعالج قطع الشغل الأصغر من أن يتدهر بملزمة.** وإلا فقد يقل بعد يدك عن قرص القطع الدوار عن البعد المطلوب.

◀ **افحص الكابل بشكل منتظم واسمح بتصلب الكبل التالف من قبل مركز خدمة وكالة شركة بوش للعدد الكهربائية فقط. استبدل كابلات التمديد التالفة.** يؤمن ذلك المحافظة على أمان الجهاز.

◀ **لا تقف على العدة الكهربائية أبداً.** قد تنتج الإصابات الخطيرة إن قلبت العدة الكهربائية أو إن لامست نصل المنشار صدفه.

◀ **استخدم غطاء الوقاية دائماً.** يحمي غطاء الوقاية المستخدم من الأجزاء المكسورة من قرص القطع، ومن ملامسة قرص القطع بشكل غير مقصود.

◀ **لا تبع حركة قرص القطع بعد الإطفاء بضغط جانبي معاكس.** قد يتلف قرص القطع أو يتعرض للكسر أو قد يسبب صدمة ارتدادية.

◀ **لا تترك العدة أبداً قبل أن تنهي حركتها تماماً.** إن عدد الشغل التي تتابع دورانها قد تحدث الإصابات.

الرموز

قد تكون الرموز التالية ذات أهمية من أجل استعمال عدتك الكهربائية. يرجى حفظ الرموز ومعناها. يساعدك تفسير الرموز بشكل صحيح على استعمال عدتك الكهربائية بطريقة أفضل وأكثر أماناً.

الرموز ومعناها

قم بارتداء نظارات واقية.



قم بارتداء واقية سمع. قد يؤدي تأثير الضيق إلى فقدان قدرة السمع.



◀ **لا تقم بتشغيل العدة الكهربائية بجوار خامات قابلة للاشتعال. لا تقم بتشغيل العدة الكهربائية وهي موضوعة على سطح قابل للاشتعال مثل الخشب.** فقد يتسبب الشرر في اشتعال هذه المواد.

◀ **لا تستخدم ملحقات تتطلب سوائل تبريد.** فاستخدام الماء أو سوائل التبريد قد يتسبب في التعرض للصق أو الصدمة الكهربائية.

الصدمة الارتدادية والتحذيرات المتعلقة بها

الصدمة الارتدادية هي رد فعل مفاجئ لتعثر أو إعاقة قرص دوار. التعثر أو الإعاقة يتسبب في التوقف المفاجئ للقرص الدوار مما يتسبب في ارتداد وحدة القطع بشكل خارج عن السيطرة إلى أعلى في اتجاه المشغل.

على سبيل المثال، إذا تعرض قرص تجليخ للتعثر أو الإعاقة في قطعة الشغل فقد تغطس حافة القرص المواجهة لنقطة التعثر في قطعة الشغل مما يتسبب في انكسار القرص أو في الصدمة الارتدادية. وقد تتسبب هذه الظروف في انكسار قرص التجليخ.

تعتبر الصدمة الارتدادية نتيجة للاستخدام الخاطئ للعدة الكهربائية و/أو لخطوات تشغيل غير صحيحة أو لظروف غير ملائمة، ويمكن تجنبها عن طريق أخذ الاحتياطات المناسبة المبنية أدناه.

◀ **احرص دائماً على إحكام مسك العدة الكهربائية، وعلى وضعية جسم وذراع تتبع لك مقاومة القوى الارتدادية.** يمكن للمشغل التحكم في القوى الارتدادية المتجهة لأعلى في حالة اتخاذه الاحتياطات المناسبة.

◀ **لا تجعل جسمك على خط واحد مع القرص الدوار.** في حالة حدوث صدمة ارتدادية فإنها ستقوم بدفع وحدة القطع إلى أعلى في اتجاه المشغل.

◀ **لا تقم بتركيب منشار جنزيري أو شفرة نحت على الخشب أو قرص ماسي مقطع بفتحة محيطية أكبر من 10 مم أو شفرة منشار مسننة.** تتسبب هذه الشفرات في حدوث صدمات ارتدادية متعددة وفي فقدان السيطرة.

◀ **تجنب تعريض القرص «للإعاقة» أو الضغط الزائد.** لا تحاول زيادة عمق القطع أكثر من اللازم. التحميل الزائد على القرص يتسبب في زيادة إجهاده وتعرضه للانزواء أو التعثر أثناء القطع، مما يتسبب في حدوث صدمة ارتدادية أو يعرضه للانكسار.

◀ **في حالة تعرض القرص للإعاقة أو في حالة إيقافك لعملية القطع لأي سبب من الأسباب قم بإيقاف العدة الكهربائية، وحافظ على ثبات وحدة القطع إلى أن يتوقف القرص تماماً. لا تحاول أبداً جذب القرص من قطعة الشغل أثناء دوران القرص وإلا فقد تتعرض لصدمة ارتدادية.** ابحث عن السبب وقم بإجراء تصحيحي لإزالة سبب تعرض القرص للإعاقة.

◀ **لا تواصل تشغيل عملية القطع بينما القرص داخل قطعة الشغل.** دع القرص يصل إلى سرعته الكاملة، وأدخله في قطعة الشغل بحرص مرة أخرى. قد يتعرض القرص للإعاقة أو

- (16) لولب تثبيت المصد الزاوي
 (17) تأمين النقل
 (18) ذراع العدة
 (19) مقبض النقل
 (20) غطاء الوقاية
 (21) لوح الوقاية من الشرر
 (22) محور دوران العدة
 (23) شفة الشد
 (24) فلكة
 (25) لولب مسدس المواف

البيانات الفنية

جلاخة قطع		جلاخة قطع
GCO 14-24 J		رقم الصنف
3601 M37 2..		قدرة الدخل الاسمية
2400	واط	عدد اللفات اللاحملي
3800	دقيقة ¹	البدء بإدارة هادئة
●		الوزن حسب EPTA- Procedure 01:2014
18,0	كجم	فئة الحماية
II / □		مقاسات قطعة الشغل المسموح بها (الحد الأقصى/الحد الأدنى): مقاسات قطعة الشغل المسموح بها
		تسري البيانات على جهد اسمي [U] يبلغ 230 فلت. قد تختلف تلك البيانات حسب اختلاف الجهد والطرزات الخاصة بكل دولة.

مقاسات أقراص القطع الملائمة	
355	أقصى قطر لقرص القطع مم
3	أقصى سمك لقرص القطع مم
25,4	قطر الفجوة مم

التركيب

- ◀ تجنب تشغيل العدة الكهربائية بشكل غير مقصود. لا يجوز أن يكون كابل الشبكة الكهربائية موصولاً بالامداد بالكهرباء أثناء التركيب وأثناء إجراء مجمل الأعمال على العدة الكهربائية.

مجموعة التجهيزات الموردة

- انزع جميع الأجزاء المرفقة عن التغليف بحذر.
 انزع كل مواد التغليف عن العدة الكهربائية وعن التوايح المرفقة.
 تأكد قبل تشغيل العدة الكهربائية للمرة الأولى، إنه قد تم إرفاق جميع الأجزاء المذكورة أدناه:
 - جلاخة القطع مع قرص القطع المركب
 - مفتاح سداسي الرأس المجوف (12)
ملاحظة افحص العدة الكهربائية من حيث وجود أي أضرار محتملة.
 يجب فحص تجهيزات الوقاية أو الأجزاء التي تعرضت لضرر طفيف فحماً دقيقاً، للتأكد من أدائها لوظيفتها بشكل سليم وفقاً للتعليمات. تأكد من أن الأجزاء المتحركة تعمل بشكل سليم وأنها غير منقطة، أو إن

الرموز ومعناها

قم بارتداء قناع للوقاية من الغبار.



لا تقترب بيدك من قرص القطع أثناء دوران العدة الكهربائية. هناك خطر إصابة في حالة ملامسة شفرة القطع.



احرص على ارتداء قفاز حماية. أقراص القطع لها حواف حادة وتطراً عليها درجات حرارة عالية أثناء العمل.



وصف المنتج والأداء

اقرأ جميع إرشادات الأمان والتعليمات. ارتكاب الأخطاء عند تطبيق إرشادات الأمان والتعليمات، قد يؤدي إلى حدوث صدمات الكهربائية أو إلى نشوب الحرائق و/أو الإصابة بجروح خطيرة.



يرجى الرجوع إلى الصور الموجودة في الجزء الأول من دليل التشغيل.

الاستعمال المطابق للتعليمات

العدة الكهربائية مصممة كجهاز ثابت يقوم بعمل قطوع طولية وعرضية باستخدام أقراص القطع بمسار قطع مستقيم وزوايا شطب مائلة أفقية حتى 45° في الفامات المعدنية دون استخدام الماء. لا يجوز استخدام أقراص القطع الماسية.

الأجزاء المصورة

يشير ترقيم الأجزاء المصورة إلى رسوم العدة الكهربائية الموجودة في صفحة الرسوم التخطيطية.

- (1) قفل تشغيل مفتاح التشغيل والإطفاء
- (2) مفتاح التشغيل والإطفاء
- (3) مقبض يدوي
- (4) غطاء وقاية متأرجح
- (5) قفل محور الدوران
- (6) قرص القطع
- (7) المصد الزاوي
- (8) محور تثبيت
- (9) فك إقفال سريع
- (10) مقبض المحور
- (11) تجاويف التركيب
- (12) مفتاح سداسي الرأس المجوف (8 مم)
- (13) صفيحة القاعدة
- (14) فك القمط
- (15) مسند قطعة الشغل لقطع الشغل بقطاع عرضي لا يزيد عن 40 x 40 مم

- قم بتركيب قرص القطع الجديد على محور دوران العدة (22) بحيث يشير المصق إلى عكس اتجاه ذراع العدة.
- قم بتركيب فلانشة الشد (23) والفلكة (24) واللوب سداسي الرأس (25). اضغط على قفل محور الدوران (5) إلى أن يثبت، وقم بإعادة ربط اللولب سداسي الرأس (25) بإدارته في اتجاه عقارب الساعة. (عزم الربط حوالي 18-20 نيوتن متر)
- أدخل غطاء الوقاية المتأرجح (4) ببطء إلى أسفل تماما، إلى أن تتم تغطية قرص القطع.
- تأكد أن غطاء الوقاية المتأرجح (4) يعمل بشكل سليم.
- تأكد بعد تركيب قرص القطع وقبل التشغيل، عما إن تم تركيب قرص القطع بشكل سليم وبأنه يدور بطلاقة.
- تأكد من عدم احتكاك قرص القطع بغطاء الوقاية المتأرجح (4) بغطاء الوقاية الثابت (20) أو بغيرها من الأجزاء.
- شغل العدة الكهربائية لمدة 30 ثانية تقريبا. لو تشكلت أثناء ذلك اهتزازات شديدة، فاطفئ العدة الكهربائية فوراً، وقم بفك قرص القطع ثم ركه مرة أخرى.

التشغيل

- ◀ اسحب القابض من مقبس الشبكة الكهربائية قبل إجراء أي عمل على العدة الكهربائية.

قفل النقل (انظر الصورة C)

يتيح لك قفل النقل (17) التعامل مع العدة الكهربائية بشكل أسهل عند نقلها إلى أماكن مختلفة.

فك تأمين العدة الكهربائية (وضع العمل)

- اضغط ذراع العدة من المقبض (3) إلى أسفل بعض الشيء لتخفيف التخميل من على قفل النقل (17).

- اسحب قفل النقل (17) إلى الخارج تماما.
- وجه ذراع العدة إلى الأعلى ببطء.
- ملحوظة:** انتبه أثناء الشغل إلى أن لا يكون تأمين النقل مضغوطاً إلى الداخل وإلا فلن يجوز أرجحة ذراع العدة إلى العمق المرغوب.

تأمين العدة الكهربائية (وضع النقل)

- حرك ذراع العدة إلى أسفل حتى يصبح من الممكن ضغط قفل النقل (17) إلى الداخل تماما.
- معلومات إضافية عن النقل (انظر „النقل“، الصفحة 69).

ضبط زاوية الشطب المائل الأفقية (انظر الصورة D)

يمكن ضبط زاوية الشطب المائل الأفقية في نطاق يبلغ 0° حتى 45°.
لقد تم التأشير إلى قيم الضبط الهامة من خلال علامات ملائمة على المصدر الزاوي (7). يتم تأمين الموضع 0° و 45° من خلال المصدر النهائي المعني.

كانت هناك أية أجزاء تالفة. يجب أن تكون جميع الأجزاء مركبة بشكل صحيح وأن تلي جميع الشروط من أجل ضمان العمل بشكل سليم.
يجب أن يتم تصليح أو استبدال تجهيزات الوقاية والقطع التالفة بالشكل المطلوب من خلال ورشة خدمة متخصصة.

التركيب المركزي الثابت أو المتحرك

- ◀ يجب أن يتم تركيب العدة الكهربائية على سطح عمل مستو وثابت (منضدة عمل مثلا) قبل البدء بالعمل لضمان الاستعمال الآمن.

التركيب على سطح عمل (انظر الصورة A)

- ثبت العدة الكهربائية على سطح العمل بواسطة لولب ربط مناسبة. يتم ذلك عن طريق الثقوب (11).

الوضع المرن (لا ينصح به!)

إذا تعذر في حالات استثنائية تثبيت العدة الكهربائية على سطح العمل بشكل مؤقت وضع أرجل صفيحة القاعدة (13) على قاعدة مناسبة (على سبيل المثال طاولة العمل أو على أرضية مستوية وما شابه) دون ربط لولب تثبيت العدة الكهربائية.

تغيير قرص القطع (انظر الصور B1 - B2)

- ◀ اسحب القابض من مقبس الشبكة الكهربائية قبل إجراء أي عمل على العدة الكهربائية.

- ◀ اضغط قفل محور الدوران (5) فقط عندما يكون محور الدوران ثابتا (22). وإلا، فقد تتعرض العدة الكهربائية للضرر.

- ◀ لا تمسك بقرص القطع بعد العمل، قبل أن يبرد. بطراً على قرص القطع درجات حرارة عالية أثناء العمل.

اقتصر على استخدام أقراص القطع التي توافقت البيانات المذكورة في دليل الاستعمال هذا، والمختبرة وفقاً للمواصفة EN 12413 والتي تم تمييزها وفقاً لذلك.

استخدم مع قرص القطع الطبقات البينية الموردة. ضع أقراص القطع غير المستخدمة في وعاء مغلق أو في العلبة الأصلية. يتم تخزين أقراص القطع وهي بوضع أفقي.

فك قرص القطع

- اضبط العدة الكهربائية بوضعية الشغل.
- حرك غطاء الوقاية المتأرجح (4) إلى الخلف حتى المصادم.
- اربط اللولب سداسي الرأس (25) بواسطة المفتاح سداسي الرأس المجوف (12) واضغط في نفس الوقت على قفل محور الدوران (5) إلى أن يتعشق.
- احتفظ بقفل محور الدوران مضغوطاً وثم بحل اللولب سداسي الرأس (25).
- اخلع الفلكة (24) وشفة الشد (23).
- أخرج قرص القطع (6).

تركيب قرص القطع

نظف جميع الأجزاء المطلوب تركيبها قبل التركيب عند الضرورة.

على لافتة طراز جهاز الشحن. يمكن أن يتم تشغيل أجهزة الشحن المحددة بجهد 230 فلت و 220 فلت أيضا.

◀ **افحص قرص القطع قبل استخدامه. يجب أن يكون قرص القطع مركب بشكل سليم، ويدور بشكل حر. شغله لفترة تجريبية دون حمل تبلغ 30 ثانية على الأقل. لا تستخدم أدوات تلميع بها أضرار أو غير منتظمة الشكل أو تهتز بشكل مفرط.** قد تتصدع وتنفجر أقراص القطع التالفة لتسبب الإصابات.

قد تكون أغبرة بعض المواد، كالمطاط الذي يحتوي على الرصاص وأغبرة الفلزات والمعادن، مضرّة بالصحة. قد تؤدي ملامسة أو استنشاق الأغبرة إلى أعراض حساسية و/أو إلى أمراض الجهاز التنفسي لدى المستخدم أو لدى الأشخاص المتواجدين على مقربة من المكان.

تعتبر بعض الأغبرة المعدنية خطيرة ولا سيما بالاتصال مع السبائك كالزنك والألمنيوم والكروم. لا يجوز أن تتم معالجة المواد التي تحتوي على الأسبستوس إلا من قبل العمال المتخصصين، دون غيرهم.

- حافظ على تهوية مكان الشغل بشكل جيد.
- ينصح بارتداء قناع واقٍ للتنفس من فئة المرشح P2.

تراجع الأحكام السارية في بلدكم بالنسبة للضمان المرغوب معالجتها.

يمكن أن تتعرض شفرة المنشار للانحسار من خلال تجمع الغبار أو النشارة أو القطع المكسورة من قطعة الشغل في تجويف صفيحة القاعدة (13).

- أطفئ العدة الكهربائية واسحب قابس الشبكة الكهربائية من المقبس.

- انتظر إلى أن يتوقف قرص القطع عن الحركة تماما.

- اقلب العدة الكهربائية نحو الخلف، لكي تسقط قطع قطعة الشغل الصغيرة عبر الفتحة المخصصة لذلك.

استخدم عدة شغل ملائمة إن تطلب الأمر ذلك، من أجل إزالة جميع قطع الشغل.

◀ **تجنب تراكم الغبار بمكان العمل.** يجوز أن تشتعل الأغبرة بسهولة.

موقع المستخدم

◀ **لا تقف أمام العدة الكهربائية على نفس خط قرص القطع، بل قف دائما إلى جانب قرص القطع.** يتم بذلك وقاية جسمك بشكل أفضل من النشاطا إن وجدت في حال كسر قرص القطع.

التشغيل والإطفاء (انظر الصورة أ)

- لغرض تشغيل اضغط أولا على مانع التشغيل (1). بعد ذلك اضغط على مفتاح التشغيل والإطفاء (2) واحتفظ به مضغوطة.

إرشاد لا يمكن تثبيت مفتاح التشغيل والإطفاء (2) لأسباب متعلقة بالأمان، بل يجب أن يتم ضغطه طوال فترة التشغيل.

- لغرض الإطفاء اترك مفتاح التشغيل والإطفاء (2).

البدء بإدارة هادئة

إن البدء بإدارة هادئة إلكترونيا يحد عزم الدوران عند التشغيل ويزيد من مدة صلاحية المحرك.

- قم بفك لولب التثبيت (16) المصد الزاوي باستخدام المفتاح سداسي الرأس المجوف المورد (12) (8 مم).

- اضبط الزاوية المرغوبة واحكم ربط لولبي التثبيت (16).

تغيير وضع المصد الزاوي (انظر الصور E-D)

يمكنك نقل المصد الزاوي (7) إلى الخلف إذا رغبت في قص قطع الشغل التي يزيد عرضها عن 140 مم.

- قم بفك لولب التثبيت (16) تماما باستخدام المفتاح سداسي الرأس المجوف المورد (12) (8 مم).

- انقل المصد الزاوي (7) إلى الخلف بالمسافة المرغوبة بمقدار تجويف أو اثنين.

- اضبط الزاوية المرغوبة واحكم ربط لولبي التثبيت (16).

تثبيت قطعة الشغل

يجب أن يتم تثبيت قطعة الشغل بإحكام دائما من أجل ضمان أمان مثالي أثناء الشغل. لا تعالج قطع الشغل الصغيرة لدرجة لا تسمح بقمطها.

تثبيت قطعة الشغل (انظر الصورة E)

- اسند قطعة الشغل على المصد الزاوي (7).

- ادفع محور التثبيت (8) نحو قطعة الشغل، وقم بشد قطعة الشغل بواسطة مقبض المحور (10).

قم بتثبيت قطعة الشغل (عندما يكون مقطعها العرضي لا يزيد عن 40 x 40 مم) على مسند قطعة الشغل (انظر الصور H-F)

- باستخدام المصد الزاوي (7) قم بضبط زاوية الشطب القياسية 0°.

- ارفع مسند قطعة الشغل (15) بعض الشيء وحركه من خلال الفتحة بالمصد الزاوي.

- قم بتعليق خطاف مسند قطعة الشغل في فتحة فك القمط (14).

- ضع قطعة الشغل على مسند قطعة الشغل (15).

- ادفع محور التثبيت (8) نحو قطعة الشغل، وقم بشد قطعة الشغل بواسطة مقبض المحور (10).

◀ **تأكد من ارتباط مسند قطعة الشغل بفك القمط بشكل محكم، ومن عدم انقلابه عند وضع قطعة الشغل عليه.**

◀ **تأكد أن ارتفاع قطعة الشغل على مسند قطعة الشغل لا يتخطى 40 مم. لا يمكن قمط قطع الشغل الأكثر ارتفاعا بإحكام.**

◀ **تأكد من إدخال مسند قطعة الشغل بالكامل في المصد الزاوي بعد الاستخدام. في حالة بروز الخطاف يتسبب ذلك في منع قمط قطعة الشغل بإحكام.**

حل قطعة الشغل

- قم بملأ مقبض المحور (10).

- افتح فك الإقفال السريع (9) بقلبه واسحب محور التثبيت (8) عن قطعة الشغل.

التشغيل

◀ **انتبه إلى جهد الشبكة الكهربائية! يجب أن يتطابق جهد منبع التيار مع المعلومات المذكورة**

◀ استخدم تجهيزات النقل دائما عند نقل العدة الكهربائية ولا تستخدم أبدا تجهيزات الوقاية.

الصيانة والخدمة

الصيانة والتنظيف

◀ اسحب القابس من مقبس الشبكة الكهربائية قبل إجراء أي عمل على العدة الكهربائية.

◀ للعمل بشكل جيد وأمن حافظ دائما على نظافة العدة الكهربائية وفتحات التهوية.

إذا تطلب الأمر استبدال خط الإمداد، فينبغي أن يتم ذلك من قبل شركة Bosch أو من قبل مركز خدمة الزبائن المعتمد لشركة Bosch للعدد الكهربائية، لتجنب التعرض للمخاطر.

◀ قم بتنظيف فتحات التهوية بالعدة الكهربائية بشكل دوري. إن منفاخ المحرك بسبب الغبار إلى داخل الهيكل، وتراكم الأغبرة المعدنية الشديد قد يشكل المخاطر الكهربائية.

◀ احرص دائما على استخدام وحدة شطف في ظروف العمل القاسية قدر الإمكان. قم

بتنظيف فتحات التهوية عن طريق نفخ الهواء عدة مرات، و قم بتوصيل مفتاح للوقاية من التيار المتخلف (PRCD) بشكل مسبق. قد يتسرب الغبار الموصل للكهرباء داخل العدة الكهربائية عند معالجة المعادن. قد يضر ذلك بعزل العدة الكهربائية.

◀ احرص على تنفيذ أعمال الصيانة والإصلاح فقط من قبل فنيين متخصصين مؤهلين. يؤمن ذلك المحافظة على أمان العدة الكهربائية.

يجب أن يبقى غطاء الوقاية المتأرجح طليق الحركة دائما وقابلا للاغلاق بمفرده. حافظ لأجل ذلك دائما على نظافة النطاق الموجود حول غطاء الوقاية المتأرجح.

التوابع

رقم الصنف

أقراص قطع لجميع الخامات المعدنية

2 608 600 208	قرص القطع 25,4 x 355 مم
2 608 600 223	قرص القطع 25,4 x 355 مم

خدمة العملاء واستشارات الاستخدام

يجيب مركز خدمة العملاء على الأسئلة المتعلقة بإصلاح المنتج وصيانته، بالإضافة لقطع الغيار. تجد الرسوم التفصيلية والمعلومات الخاصة بقطع الغيار في الموقع: www.bosch-pt.com

يسر فريق Bosch لاستشارات الاستخدام مساعدتك إذا كان لديك أي استفسارات بخصوص منتجاتنا وملحقاتها.

يلزم ذكر رقم الصنف ذو الحانات العشر وفقا للوحة صنع المنتج عند إرسال أية استفسارات أو طلبيات قطع غيار.

المغرب

Robert Bosch Morocco SARL
53، شارع الملازم محمد محروود
20300 الدار البيضاء

إرشادات العمل

تعليمات عامة للقطع

◀ لا تمسك بقرص القطع بعد العمل، قبل أن يبرد. يطرأ على قرص القطع درجات حرارة عالية أثناء العمل.

◀ تأكد من تركيب لوح الحماية من الشرر (21) بشكل سليم. عند القيام بتجليخ المعادن يتولد شرر متطاير.

قم بحماية قرص القطع من الطرقات والصدمات والشحم. لا تعرض قرص القطع لضغط جانبي.

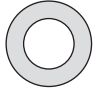
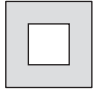
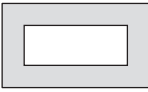

لا تقم بالتمهيد على العدة الكهربائية بشكل كبير يتسبب في توقفها.

يخفف فرط الدفع إلى الأمام قدرة أداء العدة الكهربائية كثيرا ويقصر فترة صلاحية قرص القطع.

استخدم فقط أقراص القطع الملائمة لمادة الشغل المرغوب معالجتها.

مقاسات قطعة الشغل المسموح بها

أقصى مقاس لقطعة الشغل:

شكل قطعة الشغل	زاوية شطب أفقية	
	45°	0°
	قطر 128	قطر 129
	110 x 110	119 x 119
	115 x 107	196 x 100
	115 x 115	130 x 130

الحد الأدنى لمقاسات قطع الشغل

(= جميع قطع الشغل التي يمكن أن يتم قمتها بإحكام بواسطة محور التثبيت (8)): الطول 80 مم
الحد الأقصى للعمق القطع (0°/0°): 129 مم

قطع الخامات المعدنية

- عند الحاجة اضبط زاوية الشطب المائلة الأفقية المرغوبة.
- قم بقمط قطعة الشغل حسب أبعادها بإحكام.
- قم بتشغيل العدة الكهربائية.
- وجه ذراع العدة باستخدام المقبض (3) إلى الأسفل ببطء.
- اقطع قطعة الشغل بدفع أمامي منتظم.
- اطفئ العدة الكهربائية، وانتظر إلى أن يتوقف قرص القطع عن الحركة تماما.
- وجه ذراع العدة إلى الأعلى ببطء.

النقل

- قم دائما بحمل العدة الكهربائية جيدا من مقبض النقل (19).

الهاتف: +212 5 29 31 43 27
البريد الإلكتروني: sav.outillage@ma.bosch.com

تجد المزيد من عناوين الخدمة تحت:
www.bosch-pt.com/serviceaddresses

التخلص من العدة الكهربائية

ينبغي تسليم العدد الكهربائية والتوابع والعبوة إلى
مركز معالجة النفايات بطريقة محافظة على البيئة.
لا ترم العدد الكهربائية ضمن النفايات
المنزلية.



فارسی

دستورات ایمنی

هشدارهای ایمنی عمومی برای ابزارهای برقی

هشدار

کلیه هشدارها،

دستورالعملها، تصاویر و

مشخصات ارائه شده به همراه ابزار برقی را

مطالعه کنید. اشتباهات ناشی از عدم رعایت این

دستورات ایمنی ممکن است باعث برق گرفتگی،

سوختگی و یا سایر جراحات های شدید شود.

کلیه هشدارهای ایمنی و راهنماییها را برای

آینده خوب نگهداری کنید.

عبارت «ابزار برقی» در هشدارها به ابزارهایی که به

پریز برق متصل میشوند (با سیم برق) و یا ابزارهای

برقی باتری دار (بدون سیم برق) اشاره دارد.

ایمنی محل کار

محیط کار را تمیز و روشن نگه دارید. محیطهای

در هم ریخته یا تاریک احتمال بروز حادثه را

افزایش میدهند.

ابزار برقی را در محیطهایی که خطر انفجار

وجود دارد و حاوی مایعات، گازها و بخارهای

محترقه هستند، به کار نگیرید. ابزارهای برقی

چرقههایی ایجاد میکنند که میتوانند باعث آتش

گرفتن گرد و غبارهای موجود در هوا شوند.

هنگام کار با ابزار برقی، کودکان و سایر

افراد را از دستگاه دور نگه دارید. در

صورتیکه حواس شما پرت شود، ممکن است کنترل

دستگاه از دست شما خارج شود.

ایمنی الکتریکی

دوشاخه ابزار برقی باید با پریز برق تناسب

داشته باشد. هیچگونه تغییری در دوشاخه

ایجاد نکنید. مبدل دوشاخه نباید همراه با

ابزار برقی دارای اتصال زمین استفاده شود.

دوشاخههای اصل و تغییر داده نشده و پریزهای

مناسب، خطر برق گرفتگی را کاهش میدهند.

از تماس بدنی با قطعات متصل به سیم

اتصال زمین مانند لوله، شوفاژ، اجاق برقی و

یخچال خودداری کنید. در صورت تماس بدنی با

سطوح و قطعات دارای اتصال به زمین و همچنین

تماس شما با زمین، خطر برق گرفتگی افزایش

می یابد.

ابزارهای برقی را در معرض باران و رطوبت

قرار ندهید. نفوذ آب به ابزار برقی، خطر شوک

الکتریکی را افزایش میدهد.

از سیم دستگاه برای مقاصد دیگر استفاده

نکنید. هرگز برای حمل ابزار برقی، کشیدن آن

یا خارج کردن دوشاخه از سیم دستگاه

استفاده نکنید. کابل دستگاه را از حرارت،

روغن، لبههای تیز یا قطعات متحرک دور نگه

دارید. کابلهای آسیب دیده و یا گره خورده خطر

شوک الکتریکی را افزایش میدهند.

هنگام استفاده از ابزار برقی در محیطهای باز،

تنها از کابل رابطی استفاده کنید که برای

محیط باز نیز مناسب باشد. کابل های رابط مناسب برای محیط باز، خطر برق گرفتگی را کم می کنند.

در صورت لزوم کار با ابزار برقی در محیط و

اماکن مرطوب، باید از یک کلید حفاظتی جریان

خطا و نشتی زمین (کلید قطع کننده اتصال با

زمین) استفاده کنید. استفاده از کلید حفاظتی

جریان خطا و نشتی زمین خطر برق گرفتگی را

کاهش می دهد.

رعایت ایمنی اشخاص

حواس خود را خوب جمع کنید، به کار خود

دقت کنید و با فکر و هوشیاری کامل با ابزار

برقی کار کنید. در صورت خستگی و یا در

صورتی که مواد مخدر، الکل و دارو استفاده

کردهاید، با ابزار برقی کار نکنید. یک لحظه بی

توجهی هنگام کار با ابزار برقی، میتواند جراحات

های شدیدی به همراه داشته باشد.

از تجهیزات ایمنی شخصی استفاده کنید.

همواره از عینک ایمنی استفاده نمایید.

استفاده از تجهیزات ایمنی مانند ماسک ضد گرد و

غبار، کفشهای ایمنی ضد لغزش، کلاه ایمنی و

گوشی محافظ متناسب با نوع کار با ابزار برقی،

خطر مجروح شدن را کاهش میدهد.

مواظب باشید که ابزار برقی بطور ناخواسته

بکار نیفتد. قبل از وارد کردن دوشاخه

دستگاه در پریز برق، اتصال آن به باتری،

برداشتن آن و یا حمل دستگاه، باید دقت

کنید که ابزار برقی خاموش باشد. در صورتی

که هنگام حمل دستگاه انگشت شما روی دکمه

قطع و وصل باشد و یا دستگاه را در حالت روشن

به برق بزنید، ممکن است سوانح کاری پیش آید.

قبل از روشن کردن ابزار برقی، همه ابزارهای

تنظیم کننده و آپارها را از روی دستگاه

بردارید. ابزار و آپارهایی که روی بخش های

چرخنده دستگاه قرار دارند، میتوانند باعث ایجاد

جراحات شوند.

وضعیت بدن شما باید در حالت عادی قرار

داشته باشد. برای کار جای مطمئن برای

خود انتخاب کرده و تعادل خود را همواره

حفظ کنید. به این ترتیب میتوانید ابزار برقی را در

وضعیتهای غیر منظره بهتر تحت کنترل داشته

باشید.

لباس مناسب بپوشید. از پوشیدن لباسهای

گشاد و حمل زینت آلات خودداری کنید.

موها و لباس خود را از بخشهای در حال

چرخش دستگاه دور نگه دارید. لباسهای گشاد،

موی بلند و زینت آلات ممکن است در قسمتهای

در حال چرخش دستگاه گیر کنند.

در صورتی که تجهیزاتی برای اتصال وسائل

مکش گرد و غبار و یا وسیله جمع کننده گرد

و غبار ارائه شده است، باید مطمئن شوید که

این وسائل درست نصب و استفاده

می شوند. استفاده از وسائل مکش گرد و غبار

مصونیت شما را در برابر گرد و غبار زیادتر میکند.

آشنایی با ابزار به دلیل کار کردن زیاد با آن

نباید باعث سهل انگاری شما و نادیده گرفتن

- تک‌های شکسته صفحه برش و تماس اتفاقی با صفحه برش کمک میکند.
- ◀ **برای ابزار برقی خود فقط از صفحه برشهای محدب تقویت شده استفاده کنید.** تنها به این دلیل که یک وسیله جانبی بر روی ابزار برقی شما میتواند نصب شود، ایمنی هنگام کار را تضمین نمیکند.
- ◀ **میزان تحمل سرعت مجاز متعلقات باید حداقل معادل با حداکثر سرعت تعیین شده بر روی ابزار برقی باشد.** متعلقاتی که سریعتر از حد مجاز می‌چرخند، ممکن است بشکنند و به اطراف پرتاب شوند.
- ◀ **صفحه‌های برش باید فقط جهت کاربرد توصیه شده مورد استفاده قرار گیرند.** برای مثال، عملیات سایش را با کناره صفحه‌برش انجام ندهید. صفحه‌های برش برای برداشتن مواد با لبه صفحه مناسب هستند، وارد آوردن فشار جانبی بر روی این صفحه‌ها ممکن است منجر به شکستن آنها شود.
- ◀ **همیشه از فلانژهای نگهدارنده (مهره‌های) سالم و بدون عیب که قطر آنها برای صفحه برش انتخاب شده مناسب است، استفاده کنید.** فلانژهای مناسب باعث حفظ صفحه برش شده و بنابراین خطر شکستن آن را کاهش میدهد.
- ◀ **قطر و ضخامت ابزار و متعلقاتی که بر روی دستگاه قرار می‌گیرند، باید با اندازه‌ها و مقادیر قید شده ابزار برقی مطابقت داشته باشند.** ابزار و متعلقات با اندازه‌های نامناسب و نادرست نمی‌توانند به حد کافی تحت حفاظت و قابل کنترل باشند.
- ◀ **قطر سوراخهای صفحه برش و فلانژ نگهدارنده باید کاملاً با قطر محور ابزار برقی همخوانی داشته باشند.** صفحه برشها و فلانژهایی که قطر سوراخ آنها با تجهیزات نگهدارنده ابزار برقی همخوانی ندارد، بطور نامتعادل می‌چرخند، به شدت می‌لرزند و میتوانند باعث از بین رفتن کنترل روی دستگاه شوند.
- ◀ **از صفحه برشهای آسیب دیده استفاده نکنید.** قبل از هر بار استفاده، صفحه‌ها را از نظر ترک خوردگی و شکستگی کنترل کنید. در صورتی که ابزار برقی به زمین افتاد، دنبال آسیب‌دیدگی بگردید یا یک صفحه برش سالم نصب کنید. بعد از کنترل و نصب صفحه برش، خود و سایر افراد نزدیک به ابزار برقی را از معرض صفحه برش در حال چرخش دور نگاه داشته و ابزار برقی را به مدت یک دقیقه با حداکثر سرعت در حالت بدون بار، روشن بگذارید. صفحه برشهای آسیب دیده معمولاً در طول این آزمایش می‌شکنند.
- ◀ **از تجهیزات ایمنی و پوشش محافظ شخصی استفاده کنید.** متناسب با نوع کار از گارد محافظ صورت یا عینک ایمنی استفاده کنید. در صورت لزوم از ماسک ضد غبار، گوشی ایمنی، دستکش ایمنی و یا پیش بند ایمنی مخصوصی که بتواند در مقابل ذرات مواد یا تراشه از شما محافظت کند، استفاده نمایید. محافظ چشمها باید بتواند در مقابل پرتاب براده و
- اصول ایمنی شود.** بی دقتی ممکن است باعث بروز جراحاتی در عرض کسری از ثانیه شود.
- استفاده صحیح از ابزار برقی و مراقبت از آن**
- ◀ **از وارد کردن فشار زیاد روی دستگاه خودداری کنید.** برای هر کاری، از ابزار برقی مناسب با آن استفاده کنید. بکار گرفتن ابزار برقی مناسب باعث میشود که بتوانید از توان دستگاه بهتر و با اطمینان بیشتر استفاده کنید.
- ◀ **در صورت ایراد در کلید قطع و وصل ابزار برقی، از دستگاه استفاده نکنید.** ابزار برقی که نمی‌توان آنها را قطع و وصل کرد، خطرناک بوده و باید تعمیر شوند.
- ◀ **قبل از تنظیم ابزار برقی، تعویض متعلقات و یا کنار گذاشتن آن، دوشاخه را از برق بکشید و یا باتری آنرا خارج کنید.** رعایت این اقدامات پیشگیری ایمنی از راه افتادن ناخواسته ابزار برقی جلوگیری می‌کند.
- ◀ **ابزار برقی را در صورت عدم استفاده، از دسترس کودکان دور نگه دارید و اجازه ندهید که افراد ناوارد و یا اشخاصی که این دفترچه راهنما را نخوانده‌اند، با این دستگاه کار کنند.** قرار گرفتن ابزار برقی در دست افراد ناوارد و بی تجربه خطرناک است.
- ◀ **از ابزار برقی و متعلقات خوب مراقبت کنید.** مواظب باشید که قسمت‌های متحرک دستگاه خوب کار کرده و گیر نکنند. همچنین دقت کنید که قطعات ابزار برقی شکسته و یا آسیب دیده نباشند. قطعات آسیب دیده را قبل از شروع به کار تعمیر کنید. علت بسیاری از سوانح کاری، عدم مراقبت کامل از ابزارهای برقی می‌باشد.
- ◀ **ابزار برش را تیز و تمیز نگه دارید.** ابزار برشی که خوب مراقبت شده و از لبه‌های تیز برخوردار است، کمتر در قطعه کار گیر کرده و بهتر قابل هدایت است.
- ◀ **ابزار برقی، متعلقات، مته‌های دستگاه و غیره را مطابق دستورات این جزوه راهنما به کار گیرید و به شرایط کاری و نوع کار نیز توجه داشته باشید.** استفاده از ابزار برقی برای عملیاتی به جز مقاصد در نظر گرفته شده، میتواند به بروز شرایط خطرناک منجر شود.
- ◀ **دستها و سطوح عایق را همواره خشک، تمیز و عاری از روغن و گریس نگه دارید.** دسته‌های لغزنده مانع ایمنی و کنترل در کار در شرایط غیر منتظره هستند.
- سرویس**
- ◀ **برای تعمیر ابزار برقی فقط به متخصصین حرفه‌ای رجوع کنید و از قطعات یدکی اصل استفاده نمایید.** این باعث خواهد شد که ایمنی دستگاه شما تضمین گردد.
- راهنمایها و نکات ایمنی برای دستگاه پروفیل بر**
- ◀ **خود و سایر افراد نزدیک به ابزار برقی را از معرض صفحه برش در حال چرخش دور نگه دارید.** محافظ ایمنی به محافظت از کاربر در برابر

◀ از تیغه اره زنجیری، صفحه برش الماسه با فاصله دندانه بیش از 10 میلیمتر یا تیغه اره دندانه‌های استفاده نکنید. چنین ابزارهایی اغلب باعث پس زدن دستگاه و یا از دست دادن کنترل بر ابزار برقی میشوند.

◀ از "بلوکه شدن" صفحه برش یا اعمال فشار بیش از اندازه جلوگیری کنید. از ایجاد برش های خیلی عمیق خودداری کنید. اعمال فشار بیش از حد بر روی صفحه برش باعث استهلاک آن شده، امکان گیر کردن آن و در نتیجه خطر پس زدن دستگاه و یا شکستن آن ابزار وجود دارد.

◀ در صورت گیر کردن صفحه برش و یا متوقف ساختن کارتان، دستگاه را خاموش نموده و ابزار برش را ثابت نگه دارید تا صفحه کاملاً متوقف شود. هرگز تلاش نکنید، صفحه برش در حال چرخش را از محل برش بیرون بکشید، در غیر این صورت دستگاه پس می زند. علت گیر کردن را پیدا کنید و آنرا بر طرف نمایید.

◀ مجدداً عملیات برش را در قطعه کار شروع نکنید. اجازه دهید صفحه برش به حداکثر سرعت خود برسد و سپس آنرا با احتیاط وارد محل برش نمایید. در صورت راه اندازی مجدد ابزار برقی در داخل قطعه کار، ممکن است صفحه برش گیر کند، بیرون ببرد یا پس بزند.

◀ قطعه‌های کار با ابعاد بزرگ را ثابت و محکم قرار دهید تا خطر گیر کردن و پس زدن صفحه برش کاهش پیدا کند. امکان خم شدن و تاب برداشتن قطعات بزرگ به دلیل وزن و سنگینی آنها وجود دارد. از اینرو باید در دو طرف قطعه کار، هم در نزدیکی خط برش و هم در نزدیکی لبه قطعه، تکیه‌گاه قرار داده شود.

سایر راهنمایی‌های ایمنی

◀ در صورت عدم استفاده از ابزار برقی، آنرا در محلی امن نگاه دارید. ابزار برقی را باید در انبار و محلی خشک قرار داد، علاوه بر این باید بتوان محل نگهداری آن را قفل نمود. این اقدام ایمنی از آسیب دیدن ابزار برقی و همچنین از دسترسی افراد بدون تجربه و ناوارد به ابزار برقی جلوگیری می کند.

◀ قطعه کار را همواره بطور محکم مهار کنید. از کار بر روی قطعاتی که به دلیل کوچک بودن قابل مهار کردن نیستند، خودداری کنید. در غیر اینصورت فاصله دست شما با صفحه برش در حال چرخش خیلی کم خواهد بود.

◀ کابل برق دستگاه را بطور مرتب کنترل کنید و در صورت ایراد و آسیب دیدگی کابل، آنرا منحصرأ توسط خدمات و نمایندگی مجاز برای ابزار آلات برقی Bosch تحت تعمیر قرار دهید. کابل های رابط آسیب دیده را تعویض کنید. این باعث خواهد شد که ایمنی دستگاه شما تضمین گردد.

◀ از قرار گرفتن یا ایستادن روی این ابزار برقی خودداری کنید. این امر ممکن است باعث بروز آسیب دیدگی های جدی بشود، چنانچه ابزار برقی واژگون شود و یا شما بطور ناخواسته با تیغه اره تماس پیدا کنید.

تراشهایی که در هنگام کارهای مختلف تولید میشوند، از چشمان شما محافظت کند. ماسکهای ایمنی ضد غبار یا ماسکهای تنفس باید قادر به فیلتر کردن گرد و غبار ناشی از کار باشند. قرارگیری طولانی مدت در معرض سر و صدای بلند، میتواند باعث تضعیف قدرت شنوایی شود.

◀ دقت کنید که سایر افراد، فاصله کافی با محل کار شما داشته باشند. هر فردی که به محل کار شما نزدیک میشود، موظف است از تجهیزات ایمنی و پوشش محافظ شخصی برخوردار باشد. امکان پرتاب شدن قطعات شکسته و جدا شده از قطعه کار یا صفحه برش شکسته حتی در خارج از محدوده کار نیز وجود دارد و میتواند باعث ایجاد جراحات گردد.

◀ کابل برق دستگاه را از متعلقات در حال چرخش دور نگه دارید. در صورت از دست رفتن کنترل دستگاه، ممکن است کابل برق قطع شود یا گیر کند و دست یا ساعد شما به داخل ابزار در حال چرخش کشیده شود.

◀ شیارهای تهویه ابزار برقی را به طور مرتب تمیز کنید. گرد و غبار میتواند از طریق پروانه موتور به داخل محفظه وارد شود و تجمع زیاد براده فلز در آن ممکن است به سوانح و خطرات الکتریکی منجر گردد.

◀ از به کارگیری ابزار الکتریکی در مجاورت مواد قابل اشتعال خودداری کنید. ابزار برقی را زمانی که روی یک سطح قابل اشتعال مانند چوب قرار گرفته است، به کار نیندازید. جرقهها میتوانند باعث اشتعال این مواد شوند.

◀ از متعلقاتی که نیاز به سیال خنک کننده دارند استفاده نکنید. استفاده از آب و یا سایر مواد خنک کننده مایع میتواند موجب بروز برق گرفتگی شود.

پس زدن دستگاه و هشدارهای ایمنی

پس زدن یک واکنش ناگهانی است که در نتیجه گیر کردن و یا بلوکه شدن صفحه در حال چرخش ایجاد میشود. گیر کردن یا بلوکه شدن منجر به توقف ناگهانی صفحه در حال چرخش میشود و بدین ترتیب ابزار برش از کنترل خارج شده و رو به بالا به سمت کاربر پرتاب میشود.

به طور مثال در صورتی که یک صفحه ساب در قطعه کار گیر کرده و یا بلوکه شود، امکان دارد لبه صفحه ساب بشکند و یا منجر به ضربه زدن (پس زدن) شود. امکان شکستن صفحه های ساب از این طریق نیز وجود دارد.

ضربه زدن (پس زدن) نتیجه استفاده و بکارگیری نادرست از ابزار برقی است. با رعایت اقدامات ایمنی مناسب به شرع زیر میتوان از آن جلوگیری بعمل آورد.

◀ ابزار برقی را محکم بگیرد و بدن و بازوی خود را به گونهای قرار دهید که قادر به کنترل و خنثی کردن نیروهای ضربه زننده دستگاه باشید. شخص کاربر میتواند با رعایت احتیاط و اقدامات ایمنی مناسب بر نیروهای ضربه زننده رو به بالا تسلط داشته باشد.

◀ بدن خود را راستای صفحه در حال چرخش قرار ندهید. در صورت پس زدن، ابزار برش رو به بالا به سمت کاربر حرکت داده میشود.

موارد استفاده از دستگاه

این ابزار برقی به طور خاص، به عنوان یک دستگاه رومیزی در نظر گرفته شده که با کمک صفحه برش بتوان برشهای طولی و عرضی را با مسیر برش مستقیم و برشهای مورب افقی تا زاویه 45° بر روی مواد فلزی، بدون استفاده از آب، اجرا کرد. استفاده از صفحات برش الماسه مجاز نیست.

اجزاء دستگاه

شماره های اجزاء دستگاه که در تصویر مشاهده میشود، مربوط به شرح ابزار برقی می باشد که تصویر آن در این دفترچه آمده است.

- (1) قفل ایمنی کلید روشن/خاموش
- (2) کلید روشن/خاموش
- (3) دستگیره
- (4) حفاظ ایمنی متمرک
- (5) قفل کننده محور دستگاه
- (6) صفحه برش
- (7) راهنمای زاویه برش
- (8) محور تثبیت کننده
- (9) دکمه آزادسازی سریع
- (10) دسته محور نگهدارنده قطعه کار
- (11) سوراخ های نصب
- (12) آچار آلن (8 mm)
- (13) صفحه پایه
- (14) فک گیره
- (15) پایه برای قطعه های کار با سطح مقطع حداکثر 40 x 40 mm
- (16) پیچ تثبیت راهنمای زاویه برش
- (17) قفل ایمنی حمل و نقل
- (18) بازوی ابزار
- (19) دسته حمل و نقل
- (20) قاب محافظ
- (21) حفاظ جرعه
- (22) محور ابزار
- (23) فلائز مهار
- (24) واشر
- (25) پیچ شش گوش

مشخصات فنی

سنگ فرز		GCO 14-24 J
شماره فنی		3 601 M37 2..
قدرت ورودی نامی		2400 W
سرعت در حالت آزاد		3800 min ⁻¹
روشن شدن آرام الکترونیکی		●
وزن مطابق استاندارد EPTA-Procedure 01:2014		18,0 kg

- ◀ **همواره از قاب ایمنی استفاده کنید.** قاب محافظ کاربر را در برابر تکه های شکسته شده و تماس ناخواسته با صفحه برش مصون می دارد.
- ◀ **بعد از خاموش کردن دستگاه، صفحه برش را با وارد آوردن فشار جانبی به آن، متوقف نکنید.** خطر آسیب دیدن، شکستن صفحه برش و یا پس زدن دستگاه (ضربه به عقب) وجود دارد.
- ◀ **هرگز ابزار را قبل از توقف کامل آن، ترک نکنید.** ابزار و متعلقات در حال حرکت ممکن است باعث آسیب دیدگی بشوند.

علامت ها

علائم و نماد های زیر و معانی آنها میتوانند برای کار و استفاده از ابزار برقی شما پر اهمیت باشند. لطفاً این علائم و مفهوم آنها را خوب بخاطر بسپارید. تفسیر صحیح این علائم به شما کمک میکند که ابزار برقی را بهتر و مطمئن تر مورد استفاده قرار بدهید.

علائم و مفهوم آنها

از عینک ایمنی استفاده کنید.



از گوشی ایمنی استفاده کنید. صدای بلند ممکن است به شنوایی شما آسیب برساند.



از ماسک ایمنی تنفس در برابر گرد و غبار استفاده کنید.



هرگز دست های خود را در حال کار کردن ابزار برقی در محدوده برش قرار ندهید. در صورت تماس پیدا کردن با تیغه برش، خطر آسیب دیدگی و ایجاد جراحت وجود دارد.



از دستکش ایمنی استفاده کنید. صفحه های برش دارای لبه های تیز هستند و هنگام کار بسیار داغ می شوند.



توضیحات محصول و کارکرد

همه دستورات ایمنی و راهنماییها را بخوانید. اشتباهات ناشی از عدم رعایت این دستورات ایمنی ممکن است باعث برقرفتگی، سوختگی و یا سایر جراحت های شدید شود.



به تصویرهای واقع در بخشهای اول دفترچه راهنما توجه کنید.

صفحه پایه (13) را روی سطح مناسبی (مانند میز کار، کف صاف و غیره) قرار دهید بدون اینکه ابزار برقی را با پیچ کردن محکم کنید.

تعویض تیغه اره (رجوع کنید به تصاویر B1 - B2)

◀ پیش از انجام هرگونه کاری بر روی ابزار الکتریکی، دوشاخه اتصال آنرا از داخل پریز برق بیرون بکشید.

◀ قفل کننده محور (5) را تنها هنگام متوقف بودن محور ابزار (22). فعال کنید در غیر اینصورت امکان آسیب دیدن ابزار برقی وجود دارد.

◀ پس از اتمام کار، صفحه برش را قبل از سرد شدن لمس نکنید. صفحه برش به هنگام کار بسیار داغ میشود.

فقط از آن دسته از صفحه های برش استفاده کنید که دارای مشخصات مندرج در این دستورالعمل کاری باشند و طبق استاندارد EN 12413 آزمایش شده و مطابق آن علامتگذاری شده باشند.

از لایه های میانی که احتمالاً همراه صفحه برش ارسال می شوند، استفاده کنید.

صفحه های برش استفاده نشده را در یک محفظه بسته یا در بسته بندی اصلی قرار دهید. صفحه های برش را به صورت خوابیده نگهداری کنید.

نحوه بازکردن و برداشتن صفحه برش

- ابزار برقی را در وضعیت آماده برای انجام کار قرار دهید.

- قاب محافظ پاندولی (4) را تا انتها به عقب برانید.

- پیچ آلن (25) را با استفاده از آچار آلن (12)

ارسالی بچرخانید و همزمان قفل کننده محور (5) را فشار دهید تا در محل خود قرار گیرد.

- قفل کننده محور را فشرده نگاهدارید و پیچ آلن (25) را باز کنید.

- واشر زیرین (24) و فلائز نگهدارنده (23) را بردارید.

- صفحه برش (6) را بردارید.

نحوه مونتاژ صفحه برش

در صورت لزوم پیش از نصب قطعات، آنها را تمیز کنید.

- صفحه برش جدید را روی محور ابزار (22) طوری قرار دهید که برچسب، سمت بیرون بازوی ابزار را نشان دهد.

- فلائز نگهدارنده (23)، واشر زیرین (24) و پیچ آلن (25) را در محل خود قرار دهید. قفل کننده محور (5) را فشار دهید تا در محل خود قرار گیرد و پیچ آلن (25) را در جهت عقربه های ساعت دوباره محکم کنید. (گشتاور مهار حدوداً 18-20 Nm)

- قاب محافظ پاندولی (4) را به آرامی، تا زمانی که صفحه برش پوشیده شود، بطور کامل به سمت پایین هدایت کنید.

- از عملکرد صحیح قاب محافظ پاندولی (4) اطمینان حاصل کنید.

GCO 14-24 J

سنگ فرز

کلاس ایمنی

اندازه مجاز قطعه کار (حداکثر/حداقل): ابعاد مجاز برای قطعات کار مقادیر برای ولتاژ نامی [U] 230 ولت میباشد. برای ولتاژهای مختلف و تولیدات مخصوص کشورها، ممکن است این مقادیر، متفاوت باشند.

ابعاد برای صفحه برش مناسب

حداکثر قطر صفحه برشها	میلیمتر	355
حداکثر ضخامت صفحه برشها	میلیمتر	3
قطر سوراخ میانی	میلیمتر	25,4

نصب

◀ از روشن شدن ناخواسته ابزار برقی جلوگیری بعمل آورید. به هنگام مونتاژ قطعات و در حین انجام هر گونه کاری روی ابزار برقی، دوشاخه اتصال دهنده دستگاه به برق، نباید به جریان برق متصل باشد.

محتویات ارسالی

با احتیاط بسته بندی ها را از دستگاه برقی و قطعات متعلقه و ملحقات ارسالی جدا کنید.

همه بسته بندی ها را از دستگاه برقی و قطعات متعلقه و ملحقات ارسالی جدا کنید.

پیش از اینکه این ابزار برقی را برای اولین بار مورد استفاده قرار دهید، کنترل کنید که آیا قطعات مندرج زیر بطور کامل ارسال شده اند:

- پروفیل بر با صفحه برش نصب شده

- آچار آلن (12)

نکته: ابزار برقی را از نظر هر گونه آسیب دیدگی احتمالی کنترل کنید.

قبل از ادامه کار با ابزار برقی، کلیه تجهیزات ایمنی را از نظر قابلیت کامل انجام کار کنترل کنید. هر گونه آسیب دیدگی قطعات را باید از لحاظ عملکرد بدون ایراد و مطابق با دستورات مقرر برای کاربرد ابزار برقی به دقت بررسی کنید. کنترل کنید که آیا قطعات متمرک بدون عیب و نقص هستند و گیر نمی کنند و قطعات آسیب قطعات دیده نیستند.

همه قطعات باید به درستی مونتاژ شده و دارای شرایط لازم باشند، تا تضمینی برای عملکرد صحیح و بدون ایراد دستگاه وجود داشته باشد.

نحوه نصب در محل ثابت یا متغیر

◀ برای تضمین استفاده مطمئن از این ابزار برقی، باید ابزار برقی را پیش از شروع به کار روی یک سطح صاف و ثابت کاری (بعنوان مثال روی یک میز کار) نصب کنید.

نحوه نصب بر روی یک صفحه کار (رجوع کنید به تصویر A)

- ابزار برقی را بوسیله پیچ های اتصال مناسب روی سطح کار محکم کنید. برای این منظور از سوراخهای (11) استفاده کنید.

قرار دادن آزاد (توصیه نمی شود!)

چنانچه در مواردی، محکم بستن ابزار برقی روی یک سطح ثابت امکان پذیر نباشد، می توانید پایه های

جابجا کردن راهنمای زاویه برش (رجوع کنید به تصویر E-D)

شما میتوانید راهنمای زاویه برش (7) را، هنگام جدا سازی قطعهکارهایی که عرض آنها بیش از 140 میلیمتر باشند، به سمت عقب هدایت و جابجا کنید.

- پیچهای تنظیم (16) را با آچار آلن (12) ارسالی (8 میلیمتر)، بطور کامل باز کنید.
- راهنمای زاویه برش (7) را به فاصله مورد نظر، به اندازه یک یا دو سوراخ، به سمت عقب انتقال دهید.
- زاویه مورد نظر را تنظیم کنید و هر دو پیچ تنظیم (16) را دوباره محکم کنید.

نحوه مهار و محکم کردن قطعه کار

برای تضمین حداکثر ایمنی کاری باید قطعه کار را همواره خوب مهار کنید. از کار بر روی قطعاتی که به دلیل کوچک بودن قابل مهار کردن نیستند، خودداری کنید.

تثبیت قطعه کار (رجوع کنید به تصویر E)

- قطعه کار را روی راهنمای برش زاویه (7) قرار دهید.
- محور قفل کننده (8) را به سمت قطعه کار هدایت کنید و با کمک گیره پیچی (10) قطعه کار را محکم کنید.

محکم کردن قطعه کار (برش عرضی حداکثر 40 x 40 میلیمتر) بر روی راهنمای برش زاویه (رجوع کنید به تصویر H-F)

- راهنمای برش زاویه (7) را روی زاویه استاندارد 0° تنظیم کنید.
- تکیهگاه قطعه کار (15) را کمی بلند کنید و آن را از میان شیار روی راهنمای برش زاویه عبور دهید.
- قلاب تکیهگاه قطعه کار را در دهانه روی فک گیره (14) قرار دهید.
- قطعه کار را روی تکیهگاه (15) قرار دهید.
- محور قفل کننده (8) را به سمت قطعه کار هدایت کنید و با کمک گیره پیچی (10) قطعه کار را محکم کنید.

اطمینان حاصل کنید که تکیهگاه قطعه کار به فک گیره محکم شده باشد و هنگام قرار دادن قطعه کار بر روی آن واژگون یا کج نشود.

دقت داشته باشید که ارتفاع قطعه کاری که روی تکیهگاه قرار میگیرد باید حداکثر 40 میلیمتر باشد. قطعه کارهایی دارای ارتفاع بیشتر را نمیتوان به شکل ایمن محکم کرد.

پس از استفاده، از قرار گرفتن کامل تکیهگاه قطعه کار در راهنمای برش زاویه اطمینان حاصل کنید. یک قلاب برآمده، مانع از محکم کردن ایمن قطعه کار میشود.

نحوه آزاد کردن قطعه کار

- دسته محور را باز کنید (10).
- باز کننده قفل سریع (9) را خم کنید و محور قفل کننده (8) را از قطعه کار دور کنید.

پس از نصب صفحه برش و پیش از روشن کردن ابزار برقی، ابتدا کنترل کنید که صفحه برش بدرستی نصب شده و بطور آزاد قابل چرخش باشد.

- اطمینان حاصل کنید که صفحه برش با قاب محافظ پاندولی (4)، قاب محافظ ثابت (20) یا دیگر قطعات، تماس یا سایش نداشته باشد.

- ابزار برقی را برای مدت زمان تقریباً ۳۰ ثانیه بکار اندازید.

چنانچه در این زمان نوسانات و ارتعاشات قابل توجهی بوجود آید، ابزار برقی را بلافاصله خاموش کنید و صفحه برش را مجدداً خارج نموده و آنرا دوباره نصب کنید.

طرز کار با دستگاه

پیش از انجام هرگونه کاری بر روی ابزار الکتریکی، دوشاخه اتصال آنرا از داخل پریز برق بیرون بکشید.

قفل ایمنی حمل و نقل (رجوع کنید به تصویر C)

قفل ایمنی حمل و نقل (17) امکان جابجایی راحت ابزار برقی را، در هنگام حمل و نقل آن به نقاط مختلف کاری، برای شما فراهم میسازد.

نحوه آزاد سازی ابزار برقی (وضعیت کاری)

- بازوی ابزار را با استفاده از دستگیره آن (3) کمی به سمت پایین هدایت کنید تا قفل حمل و نقل (17) آزاد شود.

- قفل حمل و نقل (17) را بطور کامل بیرون بکشید.

- بازوی ابزار را آهسته به طرف بالا هدایت کنید.

نکته: هنگام کار دقت کنید که قفل ایمنی حمل و نقل به درون فشرده نباشد، در غیر این صورت ممکن است بازوی ابزار را نتوان تا عمق دلخواه حرکت داد.

نحوه ایمن نمودن ابزار برقی (وضعیت حمل و نقل)

- بازوی دستگاه را تا جایی به سمت پایین هدایت کنید که قفل حمل و نقل (17) بتواند بطور کامل به داخل فشار داده شود.

سایر نکات برای حمل و نقل (رجوع کنید به «حمل دستگاه»، صفحه 78).

تنظیم زاویه مورب افقی (رجوع کنید به تصویر D)

زاویه برش فارسی افقی را می توان در محدوده 0° تا 45° تنظیم کرد.

مقادیر تنظیمی مهم با علامت روی راهنمای زاویه برش (7) مشخص شده اند. حالت 0° و 45° توسط آخرین نگهدارنده تثبیت می شود.

- پیچهای تنظیم راهنمای زاویه برش (16) را با آچار آلن (12) ارسالی (8 میلیمتری) باز کنید.

- زاویه مورد نظر را تنظیم کنید و هر دو پیچ تنظیم (16) را دوباره محکم کنید.

راه اندازی و نحوه کاربرد دستگاه

◀ به ولتاژ برق شبکه توجه کنید! ولتاژ منبع جریان برق باید مقادیر مندرج در مشخصات و ارقام فنی دستگاه شارژ شما مطابقت داشته باشد. ابزارهای برقی را که با ولتاژ 230 ولت مشخص شده اند، می توان تحت ولتاژ 220 ولت نیز بکار برد.

◀ قبل از استفاده، صفحه برش را مورد بررسی قرار دهید. صفحه برش باید بدون نقص و صحیح نصب شده باشد و بتواند آزادانه بچرخد. برای آزمایش دستگاه را به مدت 30 ثانیه و بدون وارد کردن بار روشن کنید. از صفحه برشهای آسیب دیده، غیر مدور و تابدار استفاده نکنید. صفحه های برش آسیب دیده ممکن است بشکنند و باعث ایجاد جراحاتی بشوند.

گرد و غبار موادی مانند رنگ های دارای سرب، مواد معدنی و فلزات میتواند برای سلامتی مضر باشند. دست زدن و یا تنفس کردن گرد و غبار ممکن است باعث بروز آلرژی و یا بیماری مجاری تنفسی شخص استفاده کننده و یا افرادی که در آن نزدیکی میباشند، بشود.

بعضی از گرد و غبار فلزات خطرناک هستند، بخصوص دارای آلیاژ قلع، آلومینیوم و کروم. فقط افراد متخصص مجازند با موادی که دارای آزیست میباشند کار کنند.

- توجه داشته باشید که محل کار شما از تهویه هوای کافی برخوردار باشد.

- توصیه میشود از ماسک تنفسی ایمنی با درجه فیلتر P2 استفاده کنید.

به قوانین و مقررات معتبر در کشور خود در رابطه با استفاده از مواد و قطعات کاری توجه کنید.

صفحه برش ممکن است در اثر ورود گرد و غبار، تراشه یا در اثر برادههای قطعه کار، به قسمت محفظه صفحه پایه (13) بلوکه شود.

- ابزار برقی را خاموش کنید و دو شاخه اتصال دستگاه را از داخل پریز برق بیرون بکشید.

- صبر کنید تا صفحه برش به ایست کامل برسد.

- ابزار برقی را به سمت عقب خم کنید تا برادههای کوچک جدا شده از قطعه کار در دهانههایی که برای آنها در نظر گرفته شده است، هدایت شوند. در صورت موجود بودن، از ابزارهای مناسب برای زدودن برادههای جدا شده از قطعه کار استفاده کنید.

◀ از تجمع گرد و غبار در محل کار جلوگیری کنید. گرد و غبار می توانند به آسانی مشتعل شوند.

وضعیت ایستادن و قرار گرفتن کاربر

◀ دقت کنید که هرگز با صفحه برش ابزار برقی، در یک راستا قرار نگیرید بلکه همیشه در کنار صفحه برش قرار داشته باشید. در این صورت، هنگام شکستن احتمالی یک صفحه برش، بدن شما ایمنی بیشتری در مقابل قطعات پرتاب شده دارد.

روشن و خاموش کردن (رجوع کنید به تصویر 1)

- برای راهاندازی ابتدا قفل کلید روشن خاموش (1) را فشار دهید.
سپس کلید روشن/خاموش (2) را فشار داده و نگهدارید.

توجه: به دلایل ایمنی، کلید روشن/خاموش (2) نمیتواند روی حالت روشن قفل شود بلکه باید همیشه در حین انجام کار فشرده نگهداشته شود.

- برای خاموش کردن کلید روشن/خاموش (2) را رها کنید.

روشن شدن آرام الکترونیکی

روشن شدن آرام الکترونیکی، گشتاور را به هنگام روشن کردن محدود می سازد و این باعث افزایش طول عمر موتور می شود.

راهنمایهای عملی

توضیحات و دستورالعمل های کلی در باره جداسازی و برش

◀ پس از اتمام کار، صفحه برش را قبل از سرد شدن لمس نکنید. صفحه برش به هنگام کار بسیار داغ میشود.

◀ از صحیح نصب شدن محافظ جرقه (21) اطمینان حاصل کنید. هنگام سبزدن فلزات، جرقه تولید میشود.

صفحه برش را در برابر ضربه، افتادن، چربی و روغن محفوظ بدارید. از اعمال فشار جانبی به صفحه برش خودداری کنید.


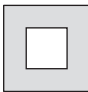
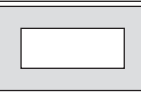
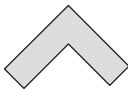
ابزار برقی را آنقدر تحت فشار قرار ندهید تا متوقف شود.

فشار بیش از حد برای به جلو راندن دستگاه، باعث افت توان ابزار برقی و کاهش طول عمر صفحه برش می شود.

فقط از صفحه برش متناسب با جنس و نوع قطعه کار مورد نظر استفاده کنید.

ابعاد مجاز برای قطعات کار

بیشینه قطعههای کار:

فرم قطعه کار	زاویه برش فارسی افقی	0°	45°
	129 Ø	128 Ø	
	119 x 119	110 x 110	
	100 x 196	107 x 115	
	130 x 130	115 x 115	

کوچکترین قطعه کارها

(= تمامی قطعهکارهایی که میتوان آنها را با محور قفل کننده (8) محکم کرد): طول 80 میلیمتر

حداکثر عمق برش (0°/0°): 129 میلیمتر

متعلقات

شماره فنی

صفحات برش برای همه مواد فلزی

صفحه برش
2 608 600 208
355 x 25.4 میلیمتر

صفحه برش
2 608 600 223
355 x 25.4 میلیمتر

خدمات و مشاوره با مشتریان

خدمات مشتری، به سؤالات شما درباره تعمیرات، سرویس و همچنین قطعات یدکی پاسخ خواهد داد. نقشه‌های سه بعدی و اطلاعات مربوط به قطعات یدکی را در تارنمای زیر میابید:

www.bosch-pt.com

گروه مشاوره به مشتریان Bosch با کمال میل به سؤالات شما درباره محصولات و متعلقات پاسخ می‌دهند.

برای هرگونه سؤال و یا سفارش قطعات یدکی، حتماً شماره فنی 10 رقمی کالا را مطابق برچسب روی ابزار برقی اطلاع دهید.

ایران

روبرت بوش ایران - شرکت بوش تجارت پارس
میدان ونک، خیابان شهید خدای، خیابان آفتاب
ساختمان مادران، شماره 3، طبقه سوم.
تهران 1994834571
تلفن: 42039000 +9821

آدرس سایر دفاتر خدماتی را در ادامه بیابید:
www.bosch-pt.com/serviceaddresses

از رده خارج کردن دستگاه

ابزار برقی، متعلقات و بسته بندی آن، باید طبق مقررات حفظ محیط زیست از رده خارج و بازیافت شوند.

ابزارهای برقی را داخل زباله دان خانگی نیاندازید!



برش کاری فلز

- در صورت نیاز، زاویه برش فارسی افقی دلخواه را تنظیم کنید.
- قطعه کار را متناسب با ابعاد مربوطه بخوبی مهار کنید.
- ابزار برقی را روشن کنید.
- بازوی ابزار را با استفاده از دستگیره (3)، آهسته به سمت پایین هدایت کنید.
- قطعه کار را با فشار متعادل برش دهید.
- ابزار برقی را خاموش کنید و تا ایست کامل صفحه برش منتظر بمانید.
- بازوی ابزار را آهسته به طرف بالا هدایت کنید.

حمل دستگاه

- همیشه ابزار برقی را با استفاده از دسته حمل و نقل (19) حمل کنید.
- ◀ برای حمل و نقل و جابجایی ابزار برقی، فقط از تجهیزات حمل و نقل استفاده کنید و هیچوقت از تجهیزات ایمنی آن برای حمل و نقل استفاده نکنید.

مراقبت و سرویس

مراقبت، تعمیر و تمیز کردن دستگاه

- ◀ پیش از انجام هرگونه کاری بر روی ابزار الکتریکی، دوشاخه اتصال آنرا از داخل پریز برق بیرون بکشید.
- ◀ ابزار الکتریکی و شیارهای تهویه آنرا تمیز نگاه دارید، تا ایمنی شما در کار تضمین گردد.

در صورت نیاز به یک کابل یدکی برای اتصال به شبکه برق، بایستی به شرکت Bosch یا به نمایندگی مجاز Bosch (خدمات پس از فروش) برای ابزار آلات برقی مراجعه کنید تا از بروز خطرات ایمنی جلوگیری بعمل آید.

- ◀ شیارهای تهویه ابزار برقی خود را مرتب تمیز کنید. گرد و غباری که از طریق پروانه موتور به داخل محفظه وارد شود و یا تجمع زیاد براده فلز در آن ممکن است سوانح و خطرات الکتریکی را منجر گردد.

- ◀ در صورت شرایط کاری بسیار سخت در صورت امکان همواره از یک سیستم مکنده استفاده کنید. تمیز کردن مکرر شیارهای تهویه از طریق دمش فشار هوا و کلید محافظ (PRCD) جریان خطا و نشستی زمین (کلید قطع کننده اتصال با زمین) را روشن کنید. هنگام کار با فلزات، امکان تجمع گرد فلزات که هادی می باشد در قسمت های داخلی ابزار برقی وجود دارد. امکان آسیب دیدن و از بین رفتن حفاظ روکش عایق ابزار برقی وجود دارد.

- ◀ برای تعمیر و سرویس دستگاه فقط به متخصصین حرفه ای رجوع کنید. بدین طریق میتوان از کاربرد صحیح و بدون خطر ابزار برقی مطمئن بود.

حفاظ ایمنی (قاب محافظ) خودکار باید همواره آزادانه قابل حرکت باشد و بطور خودکار بسته شود. از اینرو محدوده حفاظ ایمنی خودکار را همیشه تمیز نگهدارید.