

Robert Bosch Power Tools GmbH
70538 Stuttgart
GERMANY

www.bosch-pt.com

1 609 92A 4YM (2019.05) PS / 85



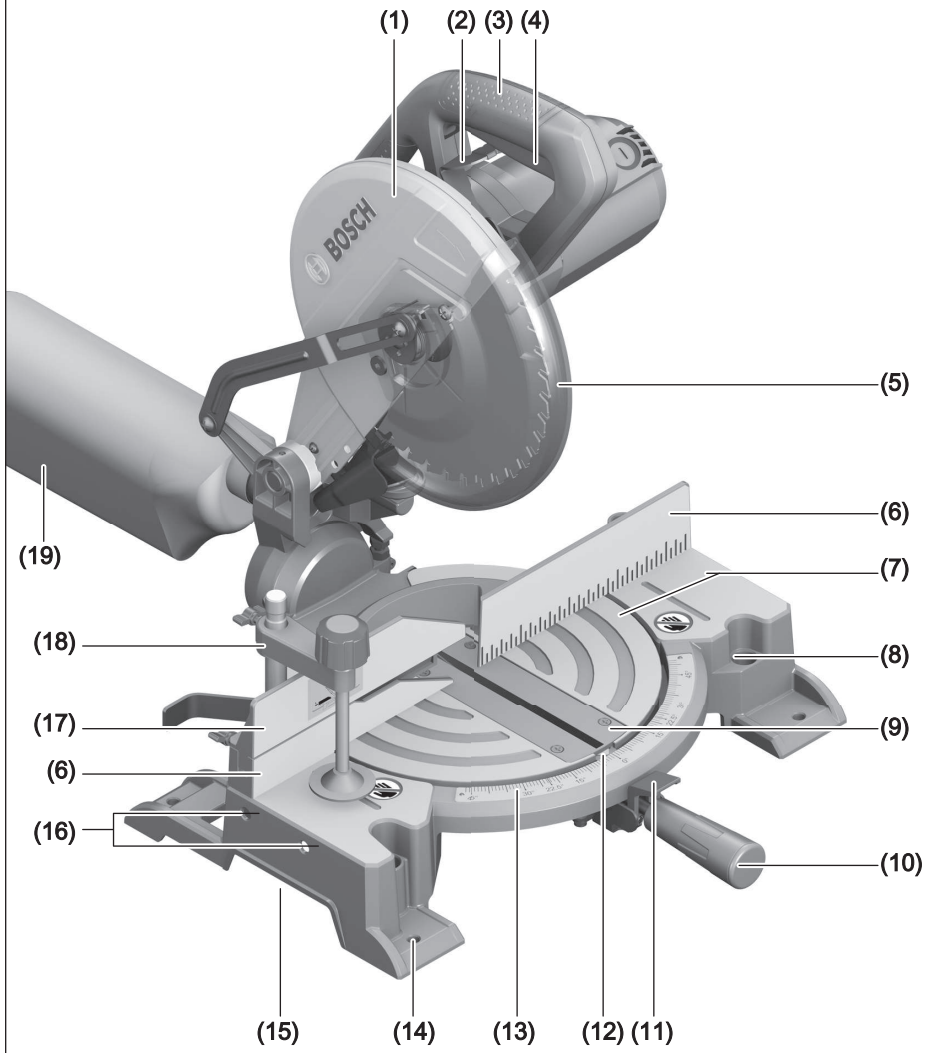
1 609 92A 4YM

GCM 10 MX Professional

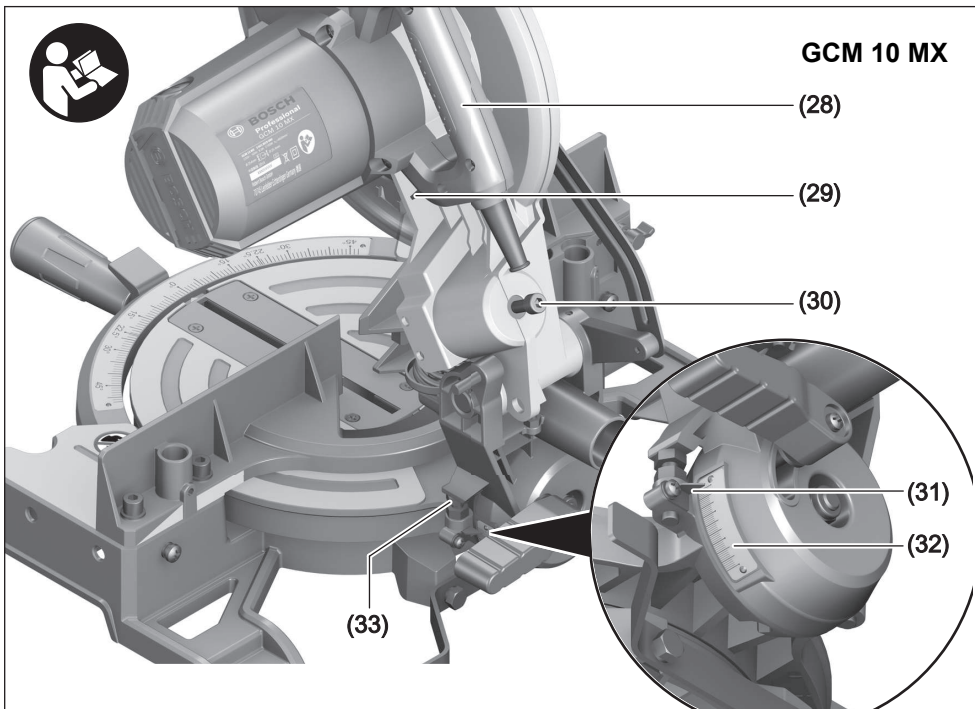
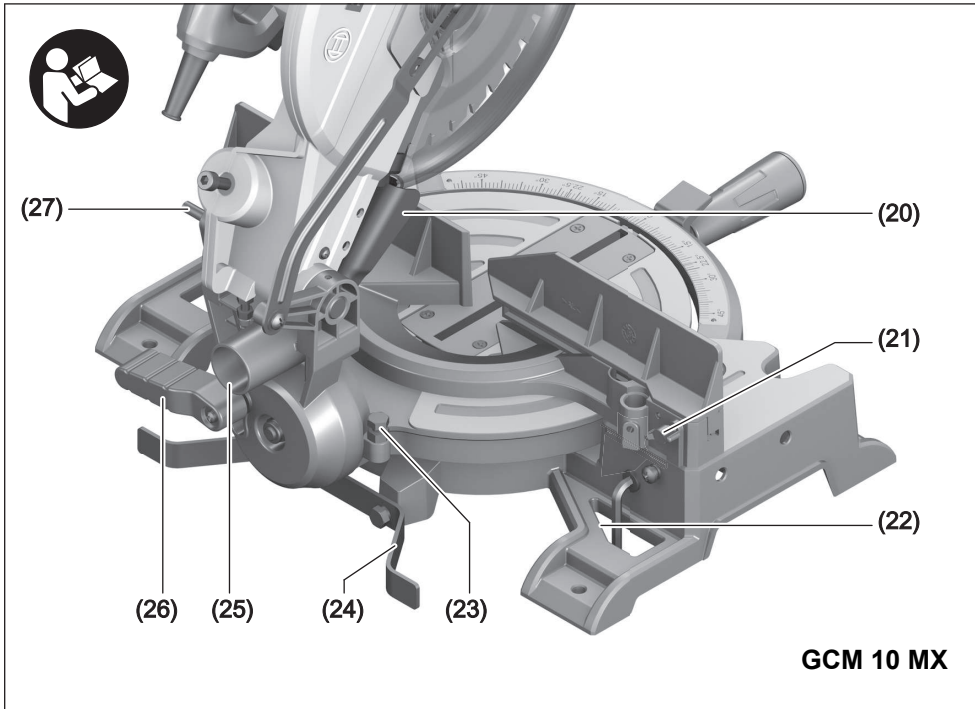


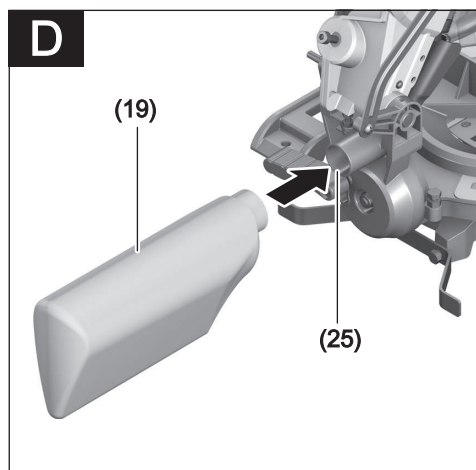
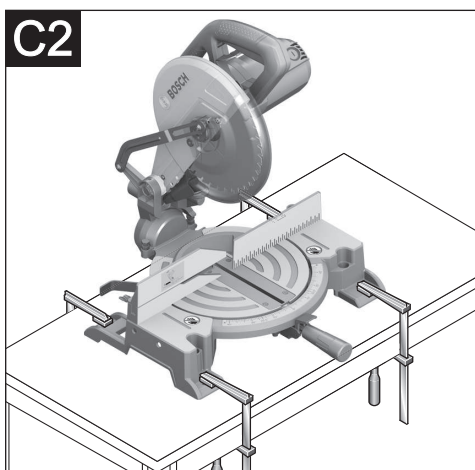
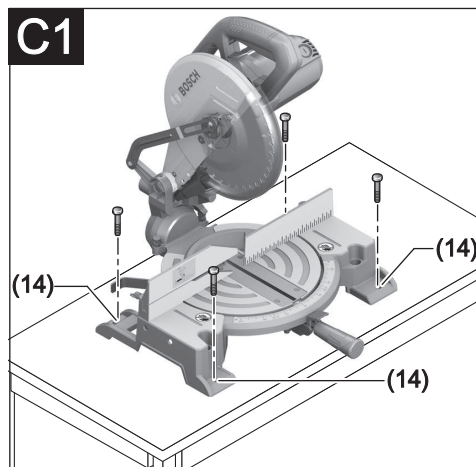
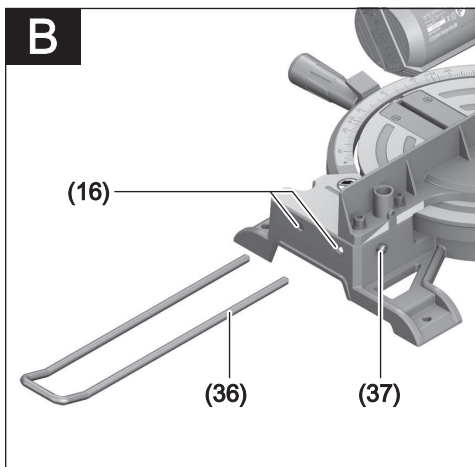
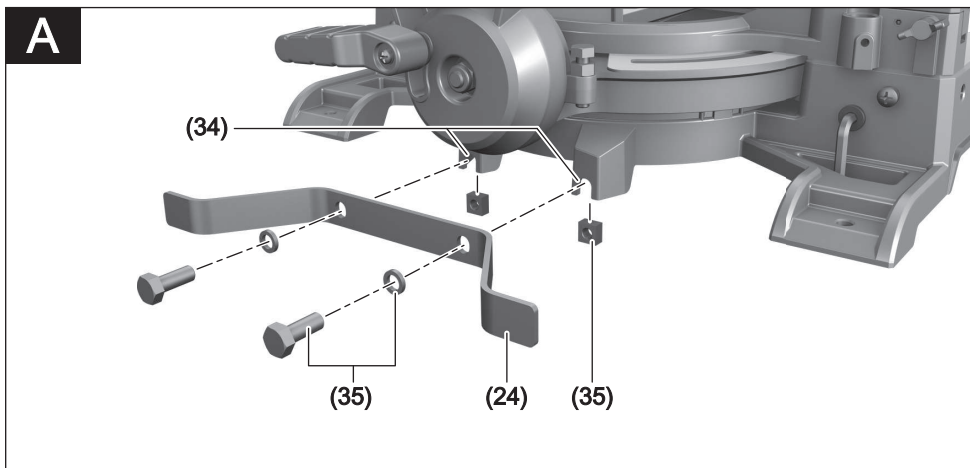
- en Original instructions
- zh 正本使用说明书
- zh 原始使用說明書
- ko 사용 설명서 원본
- th หนังสือคู่มือการใช้งานฉบับต้นแบบ
- id Petunjuk-Petunjuk untuk Penggunaan Orisinal
- vi Bản gốc hướng dẫn sử dụng

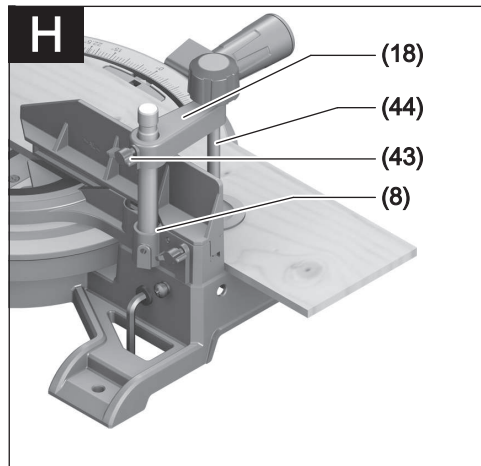
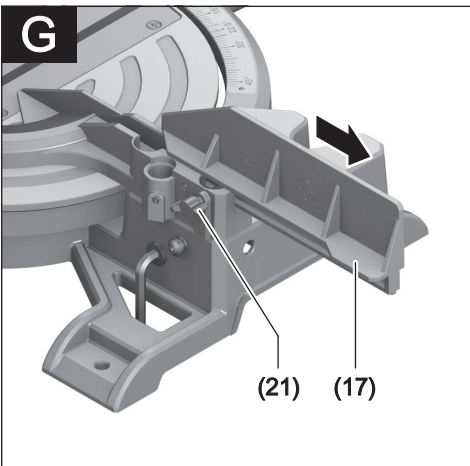
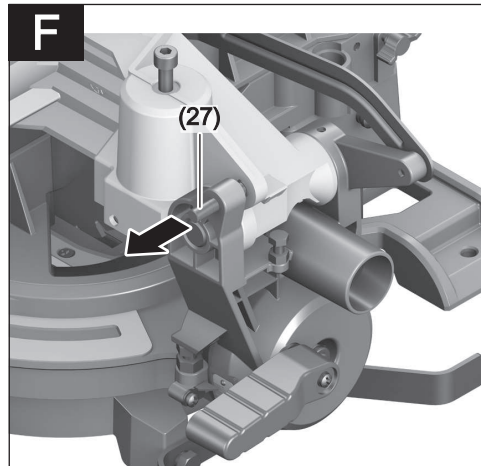
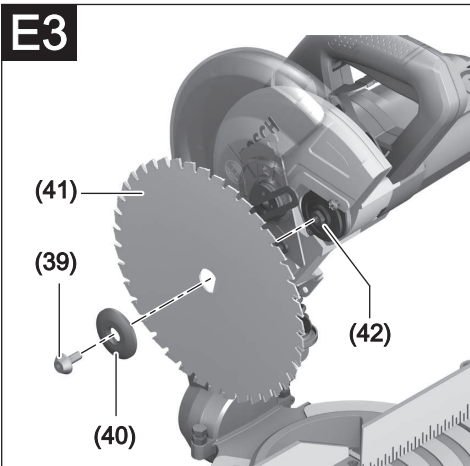
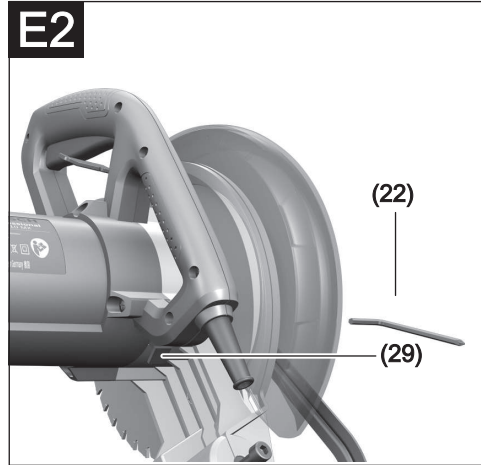
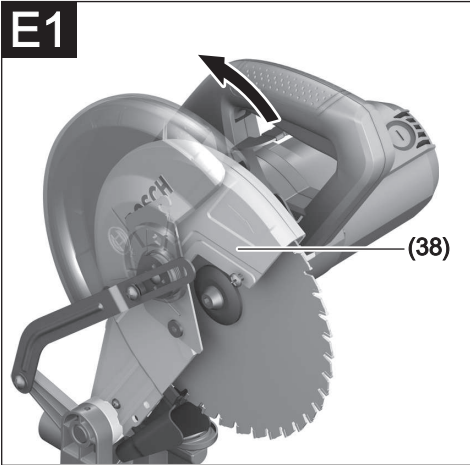
English	Page	10
中文	页	21
繁體中文	頁	30
한국어	페이지	39
ไทย	หน้า	50
Bahasa Indonesia	Halaman	63
Tiếng Việt	Trang	73

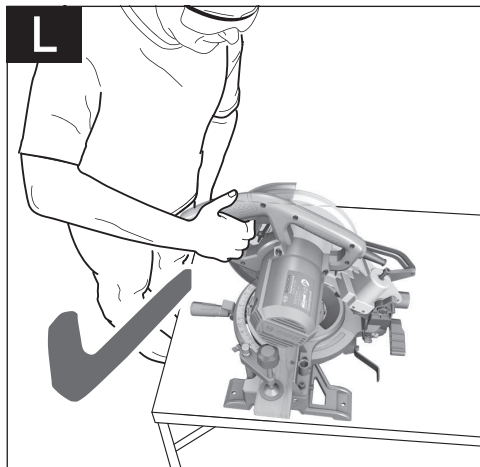
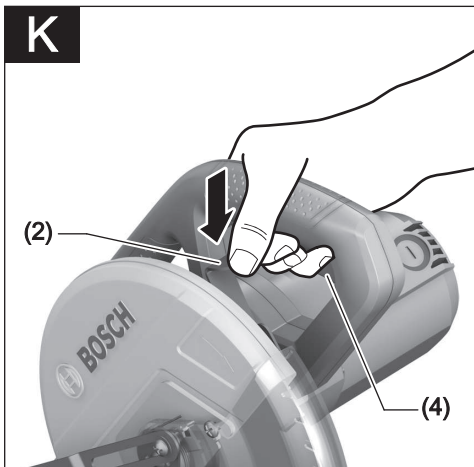
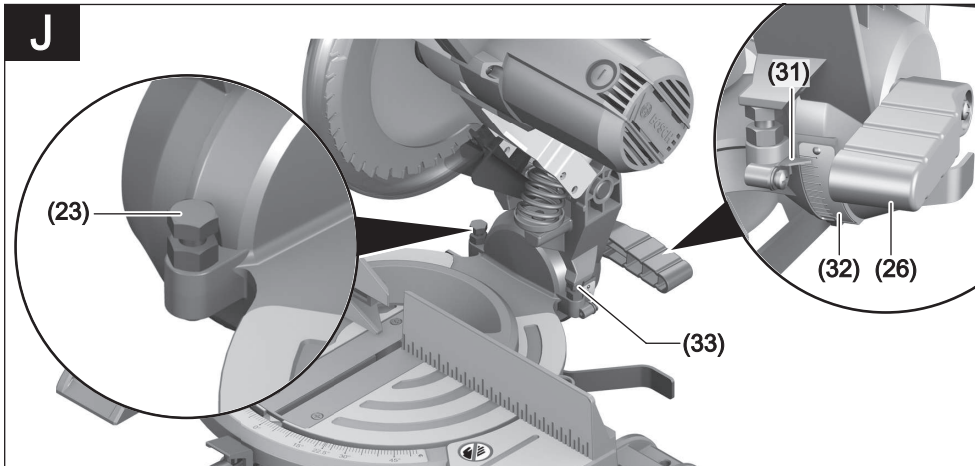
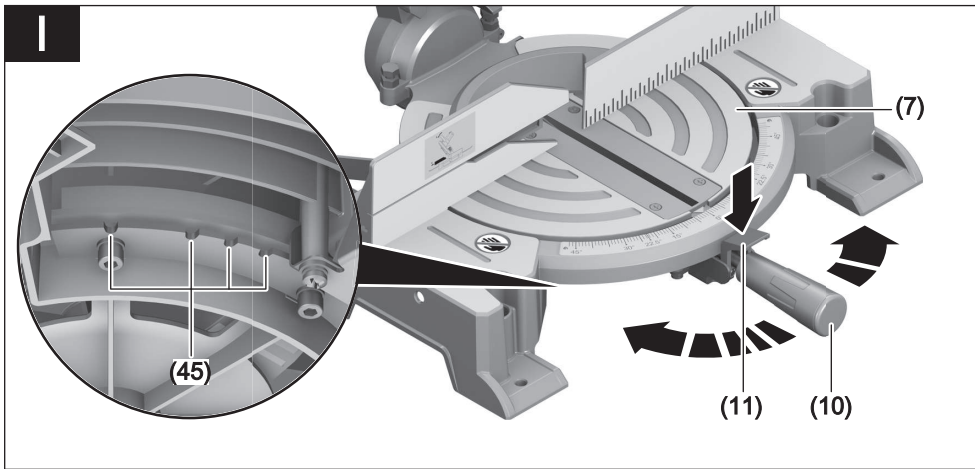


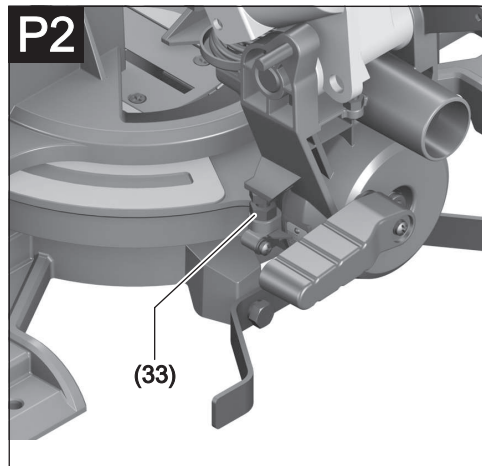
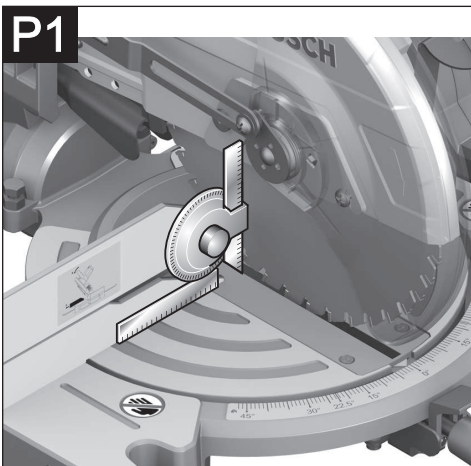
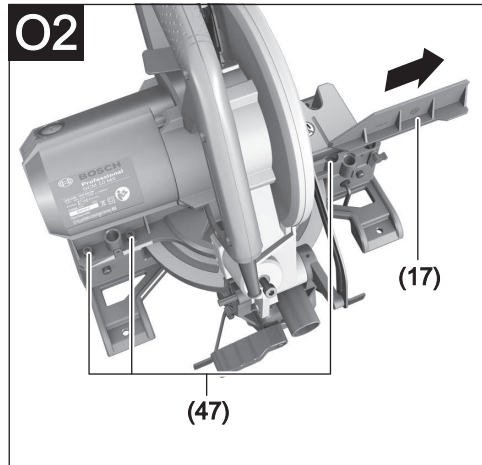
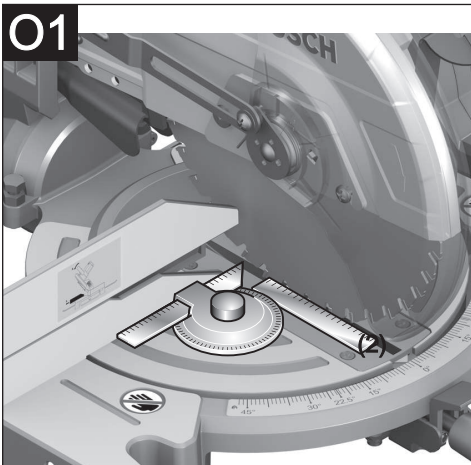
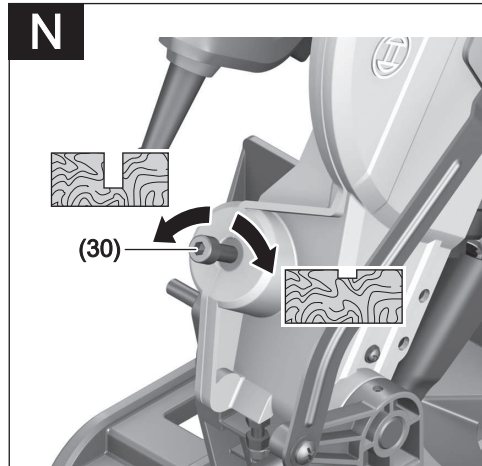
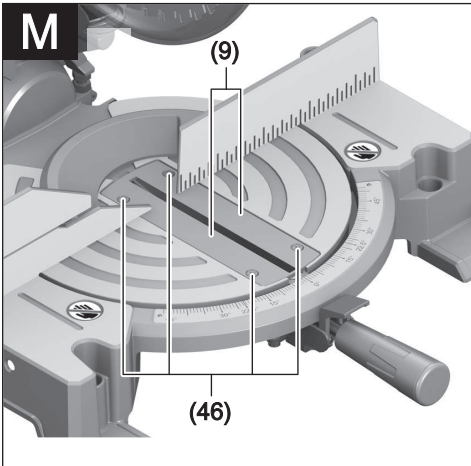
GCM 10 MX

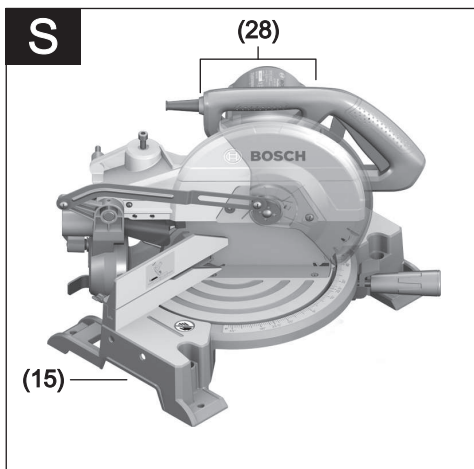
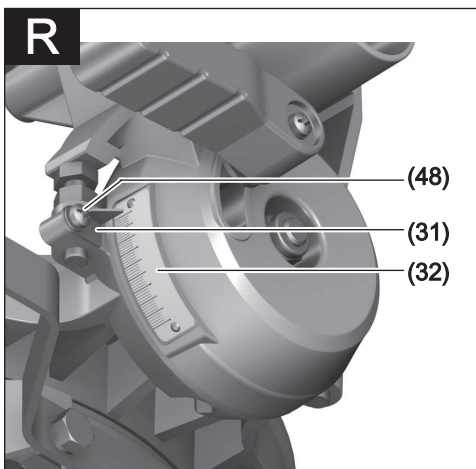
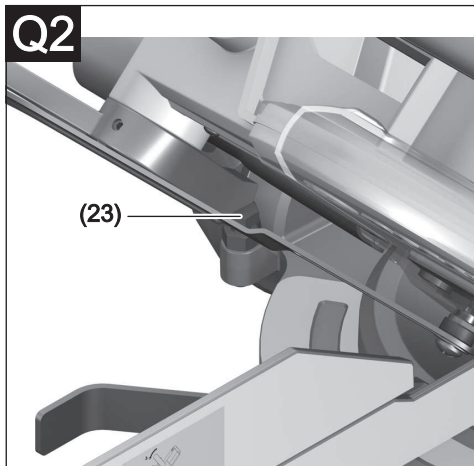
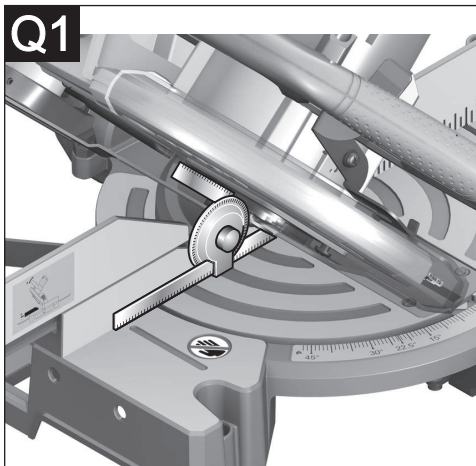












English

Safety instructions

General Power Tool Safety Warnings

⚠ WARNING Read all safety warnings, instructions, illustrations and specifications provided with this power tool. Failure to follow all instructions listed below may result in electric shock, fire and/or serious injury.

Save all warnings and instructions for future reference.

The term "power tool" in the warnings refers to your mains-operated (corded) power tool or battery-operated (cordless) power tool.

Work area safety

- ▶ **Keep work area clean and well lit.** Cluttered or dark areas invite accidents.
- ▶ **Do not operate power tools in explosive atmospheres, such as in the presence of flammable liquids, gases or dust.** Power tools create sparks which may ignite the dust or fumes.
- ▶ **Keep children and bystanders away while operating a power tool.** Distractions can cause you to lose control.

Electrical safety

- ▶ **Power tool plugs must match the outlet. Never modify the plug in any way. Do not use any adapter plugs with earthed (grounded) power tools.** Unmodified plugs and matching outlets will reduce risk of electric shock.
- ▶ **Avoid body contact with earthed or grounded surfaces, such as pipes, radiators, ranges and refrigerators.** There is an increased risk of electric shock if your body is earthed or grounded.
- ▶ **Do not expose power tools to rain or wet conditions.** Water entering a power tool will increase the risk of electric shock.
- ▶ **Do not abuse the cord. Never use the cord for carrying, pulling or unplugging the power tool. Keep cord away from heat, oil, sharp edges or moving parts.** Damaged or entangled cords increase the risk of electric shock.
- ▶ **When operating a power tool outdoors, use an extension cord suitable for outdoor use.** Use of a cord suitable for outdoor use reduces the risk of electric shock.
- ▶ **If operating a power tool in a damp location is unavoidable, use a residual current device (RCD) protected supply.** Use of an RCD reduces the risk of electric shock.

Personal safety

- ▶ **Stay alert, watch what you are doing and use common sense when operating a power tool. Do not use a power tool while you are tired or under the influence of drugs, alcohol or medication.** A moment of inatten-

tion while operating power tools may result in serious personal injury.

- ▶ **Use personal protective equipment. Always wear eye protection.** Protective equipment such as a dust mask, non-skid safety shoes, hard hat or hearing protection used for appropriate conditions will reduce personal injuries.
- ▶ **Prevent unintentional starting. Ensure the switch is in the off-position before connecting to power source and/or battery pack, picking up or carrying the tool.** Carrying power tools with your finger on the switch or energising power tools that have the switch on invites accidents.
- ▶ **Remove any adjusting key or wrench before turning the power tool on.** A wrench or a key left attached to a rotating part of the power tool may result in personal injury.
- ▶ **Do not overreach. Keep proper footing and balance at all times.** This enables better control of the power tool in unexpected situations.
- ▶ **Dress properly. Do not wear loose clothing or jewellery. Keep your hair and clothing away from moving parts.** Loose clothes, jewellery or long hair can be caught in moving parts.
- ▶ **If devices are provided for the connection of dust extraction and collection facilities, ensure these are connected and properly used.** Use of dust collection can reduce dust-related hazards.
- ▶ **Do not let familiarity gained from frequent use of tools allow you to become complacent and ignore tool safety principles.** A careless action can cause severe injury within a fraction of a second.

Power tool use and care

- ▶ **Do not force the power tool. Use the correct power tool for your application.** The correct power tool will do the job better and safer at the rate for which it was designed.
- ▶ **Do not use the power tool if the switch does not turn it on and off.** Any power tool that cannot be controlled with the switch is dangerous and must be repaired.
- ▶ **Disconnect the plug from the power source and/or remove the battery pack, if detachable, from the power tool before making any adjustments, changing accessories, or storing power tools.** Such preventive safety measures reduce the risk of starting the power tool accidentally.
- ▶ **Store idle power tools out of the reach of children and do not allow persons unfamiliar with the power tool or these instructions to operate the power tool.** Power tools are dangerous in the hands of untrained users.
- ▶ **Maintain power tools and accessories. Check for misalignment or binding of moving parts, breakage of parts and any other condition that may affect the power tool's operation. If damaged, have the power tool repaired before use.** Many accidents are caused by poorly maintained power tools.

- ▶ **Keep cutting tools sharp and clean.** Properly maintained cutting tools with sharp cutting edges are less likely to bind and are easier to control.
- ▶ **Use the power tool, accessories and tool bits etc. in accordance with these instructions, taking into account the working conditions and the work to be performed.** Use of the power tool for operations different from those intended could result in a hazardous situation.
- ▶ **Keep handles and grasping surfaces dry, clean and free from oil and grease.** Slippery handles and grasping surfaces do not allow for safe handling and control of the tool in unexpected situations.

Service

- ▶ **Have your power tool serviced by a qualified repair person using only identical replacement parts.** This will ensure that the safety of the power tool is maintained.

Safety Warnings for Mitre Saws

- ▶ **Mitre saws are intended to cut wood or wood-like products, they cannot be used with abrasive cut-off wheels for cutting ferrous material such as bars, rods, studs, etc.** Abrasive dust causes moving parts such as the lower guard to jam. Sparks from abrasive cutting will burn the lower guard, the kerf insert and other plastic parts.
- ▶ **Use clamps to support the workpiece whenever possible. If supporting the workpiece by hand, you must always keep your hand at least 100 mm from either side of the saw blade. Do not use this saw to cut pieces that are too small to be securely clamped or held by hand.** If your hand is placed too close to the saw blade, there is an increased risk of injury from blade contact.
- ▶ **The workpiece must be stationary and clamped or held against both the fence and the table. Do not feed the workpiece into the blade or cut “freehand” in any way.** Unrestrained or moving workpieces could be thrown at high speeds, causing injury.
- ▶ **Push the saw through the workpiece. Do not pull the saw through the workpiece. To make a cut, raise the saw head and pull it out over the workpiece without cutting, start the motor, press the saw head down and push the saw through the workpiece.** Cutting on the pull stroke is likely to cause the saw blade to climb on top of the workpiece and violently throw the blade assembly towards the operator.
- ▶ **Never cross your hand over the intended line of cutting either in front or behind the saw blade.** Supporting the workpiece “cross handed” i.e. holding the workpiece to the right of the saw blade with your left hand or vice versa is very dangerous.
- ▶ **Do not reach behind the fence with either hand closer than 100 mm from either side of the saw blade, to remove wood scraps, or for any other reason while the blade is spinning.** The proximity of the spinning saw blade to your hand may not be obvious and you may be seriously injured.
- ▶ **Inspect your workpiece before cutting. If the workpiece is bowed or warped, clamp it with the outside bowed face toward the fence. Always make certain that there is no gap between the workpiece, fence and table along the line of the cut.** Bent or warped workpieces can twist or shift and may cause binding on the spinning saw blade while cutting. There should be no nails or foreign objects in the workpiece.
- ▶ **Do not use the saw until the table is clear of all tools, wood scraps, etc., except for the workpiece.** Small debris or loose pieces of wood or other objects that contact the revolving blade can be thrown with high speed.
- ▶ **Cut only one workpiece at a time.** Stacked multiple workpieces cannot be adequately clamped or braced and may bind on the blade or shift during cutting.
- ▶ **Ensure the mitre saw is mounted or placed on a level, firm work surface before use.** A level and firm work surface reduces the risk of the mitre saw becoming unstable.
- ▶ **Plan your work. Every time you change the bevel or mitre angle setting, make sure the adjustable fence is set correctly to support the workpiece and will not interfere with the blade or the guarding system.** Without turning the tool “ON” and with no workpiece on the table, move the saw blade through a complete simulated cut to assure there will be no interference or danger of cutting the fence.
- ▶ **Provide adequate support such as table extensions, saw horses, etc. for a workpiece that is wider or longer than the table top.** Workpieces longer or wider than the mitre saw table can tip if not securely supported. If the cut-off piece or workpiece tips, it can lift the lower guard or be thrown by the spinning blade.
- ▶ **Do not use another person as a substitute for a table extension or as additional support.** Unstable support for the workpiece can cause the blade to bind or the workpiece to shift during the cutting operation pulling you and the helper into the spinning blade.
- ▶ **The cut-off piece must not be jammed or pressed by any means against the spinning saw blade.** If confined, i.e. using length stops, the cut-off piece could get wedged against the blade and thrown violently.
- ▶ **Always use a clamp or a fixture designed to properly support round material such as rods or tubing.** Rods have a tendency to roll while being cut, causing the blade to “bite” and pull the work with your hand into the blade.
- ▶ **Let the blade reach full speed before contacting the workpiece.** This will reduce the risk of the workpiece being thrown.
- ▶ **If the workpiece or blade becomes jammed, turn the mitre saw off. Wait for all moving parts to stop and disconnect the plug from the power source and/or remove the battery pack. Then work to free the jammed material.** Continued sawing with a jammed workpiece could cause loss of control or damage to the mitre saw.
- ▶ **After finishing the cut, release the switch, hold the saw head down and wait for the blade to stop before**

removing the cut-off piece. Reaching with your hand near the coasting blade is dangerous.

- ▶ **Hold the handle firmly when making an incomplete cut or when releasing the switch before the saw head is completely in the down position.** The braking action of the saw may cause the saw head to be suddenly pulled downward, causing a risk of injury.
- ▶ **Keep your work area clean.** Material mixtures are particularly hazardous. Light metal dust may catch fire or explode.
- ▶ **Do not use dull, cracked, bent or damaged saw blades. Unsharpened or improperly set saw blades produce narrow kerf causing excessive friction, blade binding and kickback.**
- ▶ **Do not use saw blades made from high speed steel (HSS).** Such saw blades can easily break.
- ▶ **Always use saw blades with correct size and shape (diamond versus round) of arbour holes.** Saw blades that do not match the mounting hardware of the saw will run off-centre, causing loss of control.
- ▶ **Never remove cuttings, wood chips, etc. from the cutting area while the power tool is running.** Always guide the tool arm back to the neutral position first and then switch the power tool off.
- ▶ **Do not touch the saw blade after working before it has cooled.** The saw blade becomes very hot while working.

Products sold in GB only:

Your product is fitted with an BS 1363/A approved electric plug with internal fuse (ASTA approved to BS 1362).

If the plug is not suitable for your socket outlets, it should be cut off and an appropriate plug fitted in its place by an authorised customer service agent. The replacement plug should have the same fuse rating as the original plug.

The severed plug must be disposed of to avoid a possible shock hazard and should never be inserted into a mains socket elsewhere.

Symbols

The following symbols may be important for the operation of your power tool. Please take note of these symbols and their meaning. Correctly interpreting the symbols will help you to operate the power tool more effectively and safely.

Symbols and their meanings



Keep hands away from the cutting area while the power tool is running. Contact with the saw blade can lead to injuries.



Wear a dust mask.

Symbols and their meanings



Wear safety goggles.



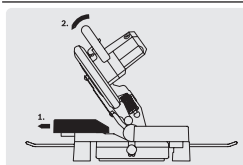
Wear hearing protection. Exposure to noise can cause hearing loss.



Danger area! Keep hands, fingers and arms away from this area.



Take note of the dimensions of the saw blade. The hole diameter must fit the tool spindle without play. If it is necessary to use reducers, ensure that the dimensions of the reducer are suitable for the base blade thickness and the saw blade hole diameter, as well as the tool spindle diameter. Wherever possible, use the reducers provided with the saw blade. The saw blade diameter must match the information specified on the symbol.



When sawing bevel angles, the adjustable fences must be pulled outwards or removed completely.

Product Description and Specifications



Read all the safety and general instructions. Failure to observe the safety and general instructions may result in electric shock, fire and/or serious injury.

Please observe the illustrations at the beginning of this operating manual.

Intended Use

The power tool is intended as a stationary machine for making straight lengthways and crossways cuts. It is possible to cut mitre angles of -47° to $+52^\circ$ and bevel angles of 0° to 45° .

The power tool is designed with sufficient capacity for sawing hardwood, softwood, chipboard and fibreboard, as well as aluminium and plastic.

Product Features

The numbering of the product features refers to the diagram of the power tool on the graphics page.

- (1) Protective guard
- (2) Lever for releasing the tool arm
- (3) Handle
- (4) On/off switch
- (5) Retracting blade guard
- (6) Fence
- (7) Saw table
- (8) Holes for screw clamp
- (9) Insert plate
- (10) Locking knob for all mitre angles
- (11) Mitre presetting lever
- (12) Angle indicator for mitre angles
- (13) Scale for mitre angles
- (14) Mounting holes
- (15) Recessed handles
- (16) Drill holes for extension bars
- (17) Adjustable fence
- (18) Screw clamp
- (19) Dust bag
- (20) Chip deflector
- (21) Wing bolt for fixing the adjustable fence
- (22) Hex key (6 mm)/cross-headed screwdriver
- (23) Stop screw for 45° bevel angle
- (24) Tilt protector
- (25) Chip ejector
- (26) Clamping handle for all bevel angles
- (27) Transport safety lock
- (28) Transport handle
- (29) Spindle lock
- (30) Depth stop adjusting screw
- (31) Angle indicator for bevel angles
- (32) Scale for bevel angles
- (33) Stop screw for 0° bevel angle
- (34) Holes for tilt protector
- (35) "Tilt protector" fastening set
- (36) Extension bar
- (37) Fastening screw for extension bar
- (38) Cross-head screw (retracting blade guard attachment)
- (39) Hex socket screw for mounting the saw blade
- (40) Clamping flange

- (41) Saw blade
- (42) Inner clamping flange
- (43) Wing bolt for adjusting the height of the threaded rod
- (44) Threaded rod
- (45) Detents for standard mitre angles
- (46) Screws for insert plate
- (47) Hex socket screw for fence
- (48) Screw for bevel angle indicator

Technical Data

Mitre saw	GCM 10 MX	
Article number		3 601 M29 0..
Rated power input	W	1700
No-load speed	min ⁻¹	4800
Weight according to EPTA-Procedure 01:2014	kg	16.8
Protection class		□ / II

Permitted workpiece dimensions (maximum/minimum): (see "Permissible workpiece dimensions", page 17)

The specifications apply to a rated voltage [U] of 230 V. These specifications may vary at different voltages and in country-specific models.

Dimensions of suitable saw blades		
Saw blade diameter	mm	254
Base blade thickness	mm	1.8–2.8
Hole diameter	mm	25.4

Noise Information

Noise emission values determined according to **EN 62841-3-9**.

Typically, the A-weighted noise level of the power tool is: Sound pressure level **92 dB(A)**; sound power level **105 dB(A)**. Uncertainty $K = 3 \text{ dB}$.

Wear hearing protection

The noise emission value given in these instructions has been measured in accordance with a standardised measuring procedure and may be used to compare power tools. It may also be used for a preliminary estimation of noise emissions.

The noise emission value given represents the main applications of the power tool. However, if the power tool is used for other applications, with different application tools or is poorly maintained, the noise emission value may differ. This may significantly increase noise emissions over the total working period.

To estimate noise emissions accurately, the times when the tool is switched off, or when it is running but not actually being used, should also be taken into account. This may significantly reduce noise emissions over the total working period.

Assembly

- ▶ **Avoid starting the power tool unintentionally. The mains plug must not be connected to the power supply during assembly or when carrying out any kind of work on the power tool.**

Items included



See the list of items included at the start of the operating manual.

Check to ensure that all the parts listed below have been supplied before using the power tool for the first time:

- Mitre saw with mounted saw blade
- Dust bag (19)
- Screw clamp (18)
- Hex key/cross-headed screwdriver (22)
- Tilt protector (24) with fastening set (35) (2 bolts, 2 washers, 2 square nuts)

Note: Check the power tool for possible damage.

Before continuing to use the power tool, carefully check that all protective devices or slightly damaged parts are working perfectly and according to specifications. Check that the moving parts are working perfectly and without jamming; check whether any parts are damaged. All parts must be fitted correctly and all the conditions necessary to ensure smooth operation must be met.

If the protective devices or any parts become damaged, you must have them properly repaired or replaced by an authorised service centre.

Fitting individual components

- Carefully remove all parts included in the delivery from their packaging.
- Remove all packing material from the power tool and the accessories provided.

Mounting the tilt protector (see figure A)

Before the power tool is used for the first time, the tilt protector (24) must be installed.

Use the "tilt protector" fastening set (35) for the installation.

- Insert the square nuts (35) into the corresponding holes (34) in the base plate.
- Place the washers (35) on the fastening screws (35) and use them to screw the tilt protector (24) into the inserted nuts.
- ▶ **Do not remove the tilt protector.** Without the tilt protector, the power tool will not be stable and can tip over especially when sawing maximum mitre/bevel angles.

Fitting the extension bar (see figure B)

The free end of long and heavy workpieces must have something placed underneath it or be supported.

To extend the saw table further, extension bars can be mounted both to the left or right of the power tool.

- Push the extension bars (36) on both sides of the power tool all the way into the corresponding drill holes (16).
- Tighten the fastening screws (37) to secure the extension bars.

Stationary or flexible mounting

- ▶ **To ensure safe handling, the power tool must be mounted on a flat, stable work surface (e.g. work bench) before use.**

Mounting on a work surface (see figure C1–C2)

- Use suitable screw fasteners to secure the power tool to the work surface. The holes (14) are used for this purpose.

or

- Firmly clamp the base of the power tool to the work surface with commercially available screw clamps.

Mounting on a Bosch saw stand

With the height-adjustable legs, Bosch GTA saw stands provide firm support for the power tool on any surface. The workpiece supports of the saw stand are used for underlaying long workpieces.

- ▶ **Read all the warnings and instructions included with the saw stand.** Failure to observe the warnings and follow instructions may result in electric shock, fire and/or serious injury.
- ▶ **Assemble the saw stand properly before mounting the power tool.** Correct assembly is important to prevent the risk of collapsing.
- Mount the power tool on the saw stand in the transport position.

Dust/Chip Extraction

The dust from materials such as lead paint, some types of wood, minerals and metal can be harmful to human health. Touching or breathing in this dust can trigger allergic reactions and/or cause respiratory illnesses in the user or in people in the near vicinity.

Certain dusts, such as oak or beech dust, are classified as carcinogenic, especially in conjunction with wood treatment additives (chromate, wood preservative). Materials containing asbestos may only be machined by specialists.

- Use a dust extraction system that is suitable for the material wherever possible.
- Provide good ventilation at the workplace.
- It is advisable to wear a P2 filter class breathing mask.

The regulations on the material being machined that apply in the country of use must be observed.

- ▶ **Avoid dust accumulation at the workplace.** Dust can easily ignite.

The dust/chip extraction system can be blocked by dust, chips or fragments of the workpiece.

- Switch the power tool off and pull the mains plug out of the socket.
- Wait until the saw blade has come to a complete stop.
- Determine the cause of the blockage and eliminate it.

Self-generated dust extraction (see figure D)

For basic chip collection, use the dust bag (19) provided.

- Attach the dust bag (19) to the chip ejector (25).

During sawing, the dust bag must not come into contact with moving tool components.

Always empty the dust bag in good time.

- ▶ **Check and clean the dust bag each time after using.**
- ▶ **When sawing aluminium, remove the dust bag to avoid the risk of fire.**

External Dust Extraction

You can also attach a dust extraction hose (35 mm diameter) to the chip ejector (25) for extraction.

- Connect the dust extraction hose to the chip ejector (25).

The dust extractor must be suitable for the material being worked.

When extracting dry dust that is especially detrimental to health or carcinogenic, use a special dust extractor.

Changing the saw blade (see figures E1–E3)

- ▶ **Pull the plug out of the socket before carrying out any work on the power tool.**
- ▶ **Wear protective gloves when fitting the saw blade.**
There is a risk of injury when touching the saw blade.

Only use saw blades that have a maximum permitted speed higher than the no-load speed of the power tool.

Only use saw blades that match the specifications given in this operating manual and that have been tested and marked in accordance with EN 847-1.

Only use saw blades that are recommended by the power tool manufacturer and are suitable for use on the material you want to saw. This will prevent the saw teeth overheating when sawing.

Removing the saw blade

- Bring the power tool into the work position.
- Push the lever (2) and swing the retracting blade guard (5) back as far as it will go.
Hold the retracting blade guard in this position.
- Loosen the screw (38) with the cross-headed screwdriver (22) provided until the retracting blade guard attachment can also be swivelled all the way back.
- Turn the hex socket screw (39) using the hex key (22) provided while pressing the spindle lock (29) until it engages.
- Press and hold the spindle lock (29) and loosen the screw (39) by turning it clockwise (left-hand thread).
- Remove the clamping flange (40).
- Remove the saw blade (41).

Fitting the saw blade

If required, clean all the parts you want to fit before installing them.

- Place the new saw blade on the inner clamping flange (42).

- ▶ **When fitting the saw blade, make sure that the cutting direction of the teeth (arrow direction on the saw blade) matches the direction of the arrow on the protective guard.**

- Place on the clamping flange (40) and the screw (39). Press the spindle lock (29) until it engages and tighten the screw by turning it anticlockwise.
- Push the retracting blade guard (5) forwards and down until the screw (38) engages in the corresponding recess. To do so, you may need to hold the tool arm against the handle in order to generate sufficient pre-tension on the retracting blade guard.
- Fasten the retracting blade guard (5) again (tighten screw (38)).
- Push the lever (2) and guide the retracting blade guard down again.

- ▶ **When attaching the clamping flange, ensure that the wide side faces the saw blade.** The saw blade cannot be tightened if it is installed the other way round.

Operation

- ▶ **Pull the plug out of the socket before carrying out any work on the power tool.**

Transport safety lock (see figure F)

The transport safety lock (27) makes it easier to handle the power tool when transporting it to various working locations.

Unlocking the power tool (work position)

- Press the tool arm down slightly by the handle (3) to release the transport safety lock (27).
- Pull the transport safety lock (27) all the way out.
- Slowly guide the tool arm upwards.

Note: Make sure that the transport safety lock is not pushed in when working, otherwise the tool arm will not be able to be swivelled to the required depth.

Locking the power tool (transport position)

- Swivel the depth stop inwards so that the tool arm can be swivelled all the way downwards by the handle (3).
- Push the lever (2) while swivelling the tool arm downwards by the handle (3) until you can press the transport safety lock (27) all the way in.

The tool arm is now securely locked and ready for transport.

Preparing for operation**Moving the fence (see figure G)**

You have to move the adjustable fence (17) to saw bevel angles.

- Loosen the wing bolt (21).
- Pull the adjustable fence (17) all the way out.
- Retighten the wing bolt (21).

After sawing the bevel angles, slide the adjustable fence (17) back again (loosen the wing bolt (21); slide the fence (17) all the way in; retighten the wing bolt).

Clamping the workpiece (see figure H)

To ensure maximum safety while working, the workpiece must always be firmly clamped.

Do not saw workpieces that are too small to clamp firmly.

- Press the workpiece firmly against the fences (6) and (17).
- Insert the supplied screw clamp (18) into one of the corresponding holes (8).
- Loosen the wing bolt (43) and adjust the screw clamp to the workpiece. Tighten the wing bolt again.
- Tighten the threaded rod (44) to fix the workpiece in place.

Releasing the workpiece

- To loosen the screw clamp, turn the threaded rod (44) anticlockwise.

Setting mitre and bevel angles

► Pull the plug out of the socket before carrying out any work on the power tool.

To ensure precise cuts, the basic settings of the power tool must be checked and adjusted as necessary after intensive use.

Experience and suitable special tools are required for this.

A Bosch after-sales service point will handle this work quickly and reliably.

- **Always tighten the locking knob (10) firmly before sawing.** Otherwise the saw blade can become wedged in the workpiece.

Setting mitre angles (see figure I)

The mitre angle can be set between 47° (left side) and 52° (right side).

- Loosen the locking knob (10) if it is tightened.
- Push the lever (11), turn the saw table (7) left or right by the locking knob and set the required mitre angle using the angle indicator (12).
- Retighten the locking knob (10).

For quick and precise setting of commonly used mitre angles, detents (45) are provided on the saw table:

Left	0°	Right
45°; 30°; 22.5°; 15°		15°; 22.5°; 30°; 45°

- Loosen the locking knob (10) if it is tightened.
- Push the lever (11) and turn the saw table (7) left or right to the required detent.
- Release the lever again. The lever must be felt to engage in the detent.
- Retighten the locking knob (10).

Setting bevel angles (see figure J)

The bevel angle can be set between 0° and 45°.

- Loosen the clamping handle (26).

- Use the handle (3) to swivel the tool arm until the angle indicator (31) shows the required bevel angle.
- Hold the tool arm in this position and retighten the clamping handle (26).

To set the standard angles of 0° and 45° quickly and accurately, stop screws are provided ex-works ((33) and (23)).

- Loosen the clamping handle (26).
- Swivel the tool arm by the handle (3) all the way to the right (0°) or all the way to the left (45°).
- Retighten the clamping handle (26).

Start-up

► **Pay attention to the mains voltage. The voltage of the power source must match the voltage specified on the rating plate of the power tool. Power tools marked with 230 V can also be operated with 220 V.**

► **Products that are only sold in AUS and NZ:** Use a residual current device (RCD) with a nominal residual current of 30 mA or less.

Switching on (see figure K)

- To **start** the tool, press the on/off switch (4) and keep it pressed.

Note: For safety reasons, the on/off switch (4) cannot be locked; it must remain pressed during the entire operation.

The tool arm can only be guided downwards by pushing the lever (2).

- For **sawing**, the lever (2) must therefore be pushed while the on/off switch (4) is pressed.

Switching off

- To **switch off**, release the on/off switch (4).

Practical advice

General sawing instructions

- **Always tighten the locking knob (10) and the clamping handle (26) firmly before sawing.** Otherwise the saw blade can become wedged in the workpiece.
- **For all cuts, it must first be ensured that the saw blade at no time can come in contact with the fence, screw clamps or other machine parts. Remove any mounted auxiliary stops or adjust them accordingly.**

Protect the saw blade against impact and shock. Do not subject the saw blade to lateral pressure.

Do not saw warped/bent workpieces. The workpiece must always have a straight edge to face against the fence.

The free end of long and heavy workpieces must have something placed underneath it or be supported.

Make sure that the retracting blade guard operates properly and that it can move freely. The retracting blade guard must open when the tool arm is guided downward. When the tool arm is guided upward, the retracting blade guard must close again over the saw blade and lock in the uppermost position of the tool arm.

Only saw materials which are permitted within the scope of the intended use.

Position of the operator (see figure L)

► **Do not stand in line with the saw blade in front of the power tool. Always stand to the side of the saw blade.**

This protects your body against possible kickback.

- Keep hands, fingers and arms away from the rotating saw blade.
- Do not reach one hand across the other when in front of the tool arm.

Permissible workpiece dimensions

Maximum workpiece dimensions:

Mitre angle	Bevel angle	Height x width [mm]	
		at max. height	at max. width
0°	0°	89 x 89	62 x 130
45°	0°	86 x 67	65 x 91
0°	45°	44 x 95	32 x 130
45°	45°	44 x 67	32 x 91

Minimum workpiece dimensions (= all workpieces that can be secured left or right of the saw blade using the supplied quick-action clamp): 110 x 130 mm (length x width)

Max. cutting depth (0°/0°): 89 mm

Replacing insert plates (see figure M)

The insert plate (9) can become worn after long use of the power tool.

Replace faulty insert plates.

- Bring the power tool into the work position.
- Unscrew the screws (46) using the cross-headed screwdriver (22) provided and remove the old insert plate.
- Screw the insert plate as far as possible to the right with the screws (46) so that the saw blade does not come into contact with the insert plate over the entire length of the possible cutting motion.

Sawing (cutting)

- Firmly clamp the workpiece as appropriate for its dimensions.
- Set the required mitre and/or bevel angle.
- Set the height of the adjusting screw (30) so that the workpiece can be sawn through completely.
- Switch the power tool on.
- Push the lever (2) and slowly guide the tool arm downwards using the handle (3).
- Saw through the workpiece applying uniform feed.
- Switch off the power tool and wait until the saw blade has come to a complete stop.
- Slowly guide the tool arm upwards.

Adjusting the depth stop (sawing the groove) (see figure N)

The adjusting screw (30) of the depth stop has to be turned clockwise if you want to saw a groove.

- Swivel the tool arm by the handle (3) into the position at which the required groove depth is reached.
- Turn the adjusting screw (30) clockwise until the end of the screw touches the housing stop.
- Slowly guide the tool arm upwards.

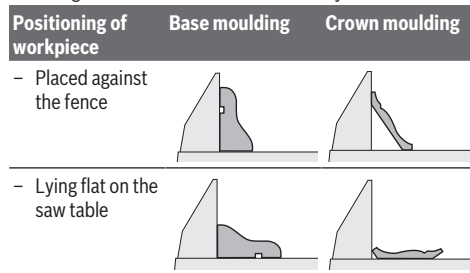
Special workpieces

When sawing curved or round workpieces, these must be especially secured against slipping. At the cutting line, there should be no gap between the workpiece, fence and saw table.

If necessary, you will need to manufacture special fixtures.

Working on mouldings

Mouldings can be sawn in two different ways:



Always check the set mitre and/or bevel angle first by making trial cuts in scrap wood.

Checking and Adjusting the Basic Settings

To ensure precise cuts, the basic settings of the power tool must be checked and adjusted as necessary after intensive use.

Experience and suitable special tools are required for this.

A Bosch after-sales service point will handle this work quickly and reliably.

Aligning the fence

- Bring the power tool into the transport position.
- Turn the saw table (7) to the 0° detent (45). The lever (11) must be felt to engage in the detent.
- Pull the adjustable fence (17) all the way out.

Checking (see figure O1)

- Set an angle gauge to 90° and position it flush with the saw blade (41) between the fence (6) and the saw blade on the saw table (7).

The leg of the angle gauge must be flush with the fence over the complete length.

Setting (see figure O2)

- Loosen all hex socket screws (47) with the hex key (22) provided.
- Rotate the fence (6) until the angle gauge is flush over the complete length.
- Re-tighten the screws.

Setting the Standard 0° Bevel Angle

- Bring the power tool into the transport position.

- Turn the saw table (7) to the 0° detent (45). The lever (11) must be felt to engage in the detent.

Checking (see figure P1)

- Set an angle gauge to 90° and place it on the saw table (7).

The leg of the angle gauge must be flush with the saw blade (41) along its entire length.

Setting (see figure P2)

- Loosen the clamping handle (26).
- Loosen the lock nut of the stop screw (33) using a commercially available ring spanner or open-ended spanner (13 mm).
- Turn the stop screw as far in or out as needed until the leg of the angle gauge is flush with the saw blade along its entire length.
- Retighten the clamping handle (26).
- Then retighten the lock nut of the stop screw (33).

If the angle indicator (31) is not aligned with the 0° mark on the scale (32) following adjustment, loosen the screw (48) using a commercially available cross-headed screwdriver and align the angle indicator along the 0° mark. (See figure R)

Setting the standard 45° bevel angle

- Bring the power tool into the work position.
- Turn the saw table (7) to the 0° detent (45). The lever (11) must be felt to engage in the detent.
- Loosen the clamping handle (26) and use the handle (3) to swivel the tool arm all the way to the left (45°).

Checking (see figure Q1)

- Set an angle gauge to 45° and place it on the saw table (7).

The leg of the angle gauge must be flush with the saw blade (41) along its entire length.

Setting (see figure Q2)

- Loosen the lock nut of the stop screw (23) using a commercially available ring spanner or open-ended spanner (13 mm).
- Turn the stop screw as far in or out as needed until the leg of the angle gauge is flush with the saw blade along its entire length.
- Retighten the clamping handle (26).
- Then retighten the lock nut of the stop screw (23).

If the angle indicator (31) is not aligned with the 45° mark on the scale (32) following adjustment, first check the 0° setting for the bevel angle and the angle indicator once more. Then repeat the adjustment of the 45° bevel angle.

Transport (see figure S)

Before transporting the power tool, the following steps must be carried out:

- Bring the power tool into the transport position.
- Remove all accessories that cannot be securely fitted to the power tool.
If possible, transport unused saw blades in a closed container.

- Carry the power tool by the transport handle (28) or hold it by the recessed handles (15) on the sides of the saw table.

► **Only use the transport devices to transport the power tool and never the protective devices.**

Maintenance and servicing

Maintenance and cleaning

► **Pull the plug out of the socket before carrying out any work on the power tool.**

► **To ensure safe and efficient operation, always keep the power tool and the ventilation slots clean.**

In order to avoid safety hazards, if the power supply cord needs to be replaced, this must be done by **Bosch** or by an after-sales service centre that is authorised to repair **Bosch** power tools.

The retracting blade guard must always be able to move freely and retract automatically. It is therefore important to keep the area around the retracting blade guard clean at all times.

Always remove dust and chips after working by blowing out with compressed air or using a brush.

Accessories

	Article number
3 601 M29 040, 3 601 M29 0B0:	
Extension bar	1 619 PA6 916
Saw blades for hardwood, composites, plastic and non-ferrous metals	
254 x 25.4 mm saw blade, 100 teeth	1 609 B00 844
Saw blades for wood and fibreboard, panels and strips	
254 x 25.4 mm saw blade, 40 teeth	2 608 673 047
254 x 25.4 mm saw blade, 100 teeth	2 608 640 904

After-Sales Service and Application Service

Our after-sales service responds to your questions concerning maintenance and repair of your product as well as spare parts. You can find explosion drawings and information on spare parts at: www.bosch-pt.com

The Bosch product use advice team will be happy to help you with any questions about our products and their accessories.

In all correspondence and spare parts orders, please always include the 10-digit article number given on the nameplate of the product.

Cambodia

Robert Bosch (Cambodia) Co., Ltd
Unit 8BC, GT Tower, 08th Floor, Street 169,
Czechoslovakia Blvd, Sangkat Veal Vong
Khan 7 Makara, Phnom Penh
VAT TIN: 100 169 511
Tel.: +855 23 900 685

Tel.: +855 23 900 660

www.bosch.com.kh

**People's Republic of China
China Mainland**

Bosch Power Tool (China) Co. Ltd.

Bosch Service Center

567, Bin Kang Road

Bin Kang District

Hangzhou, Zhejiang Province

China 310052

Tel.: (0571) 8887 5566 / 5588

Fax: (0571) 8887 6688 x 5566# / 5588#

E-mail: bsc.hz@cn.bosch.com

www.bosch-pt.com.cn

HK and Macau Special Administrative Regions

Robert Bosch Co. Ltd.

21st Floor, 625 King's Road

North Point, Hong Kong

Customer Service Hotline: +852 2101 0235

Fax: +852 2590 9762

E-mail: info@hk.bosch.com

www.bosch-pt.com.hk

India

Bosch Service Center

69, Habibullah Road, (next to PSBB School), T. Nagar

Chennai-600077

Phone: (044) 64561816

Bosch Service Center Rishyamook

85A, Panchkuin Road

New Delhi-110001

Phone: (011) 43166190

Bosch Service Center 79,

Crystal Bldg., Dr. Annie Besant Road, Worli

Mumbai-400018

Phone: (022) 39569936 / (022) 39569959 /

(022) 39569967 / (022) 24952071

Indonesia

PT Robert Bosch

Palma Tower 10th Floor

Jalan RA Kartini II-S Kaveling 6

Pondok Pinang, Kebayoran Lama

Jakarta Selatan 12310

Tel.: (21) 3005-5800

www.bosch-pt.co.id

Malaysia

Robert Bosch Sdn. Bhd.(220975-V) PT/SMY

No. 8A, Jalan 13/6

46200 Petaling Jaya

Selangor

Tel.: (03) 79663194

Toll-Free: 1800 880188

Fax: (03) 79583838

E-mail: kiathoe.chong@my.bosch.com

www.bosch-pt.com.my

Pakistan

Robert Bosch Middle East FZE – Pakistan Liaison Office

2nd Floor Plaza # 10, CCA Block, DHA Phase 5

Lahore, 54810

Phone: +92(303)4444311

E-mail: Faisal.Khan@bosch.com

Philippines

Robert Bosch, Inc.

28th Floor Fort Legend Towers,

3rd Avenue corner 31st Street,

Fort Bonifacio, Global City,

1634 Taguig City

Tel.: (632) 8703871

Fax: (632) 8703870

www.bosch-pt.com.ph

Singapore

Powerwell Service Centre Ptd Ltd

Bosch Authorised Service Centre (Power Tools)

4012 Ang Mo Kio Ave 10, #01-02 TECHplace

Singapore 569628

Tel.: 6452 1770

Fax: 6452 1760

E-mail: ask@powerwellsc.com

www.powerwellsc.com

www.bosch-pt.com.sg

Thailand

Robert Bosch Ltd.

Liberty Square Building

No. 287, 11 Floor

Silom Road, Bangrak

Bangkok 10500

Tel.: 02 6393111

Fax: 02 2384783

Robert Bosch Ltd., P. O. Box 2054

Bangkok 10501

www.bosch.co.th

Bosch Service – Training Centre

La Salle Tower Ground Floor Unit No.2

10/11 La Salle Moo 16

Srinakharin Road

Bangkaew, Bang Plee

Samutprakarn 10540

Tel.: 02 7587555

Fax: 02 7587525

Vietnam

Branch of Bosch Vietnam Co., Ltd in HCMC

14th floor, Deutsches Haus, 33 Le Duan

Ben Nghe Ward, District 1, Ho Chi Minh City

Tel.: (028) 6258 3690

Fax: (028) 6258 3692 - 6258 3694

Hotline: (028) 6250 8555

E-mail: tuvankhachhang-pt@vn.bosch.com

www.bosch-pt.com.vn

**Armenia, Azerbaijan, Georgia, Kyrgyzstan, Mongolia,
Tajikistan, Turkmenistan, Uzbekistan**

TOO "Robert Bosch" Power Tools, After Sales Service

Rayimbek Ave., 169/1

050050, Almaty, Kazakhstan

Service e-mail: service.pt.ka@bosch.com

Official website: www.bosch.com, www.bosch-pt.com

Bahrain

Hatem Al Juffali Technical Equipment Establishment.
Kingdom of Bahrain, Setra Highway, Al Aker Area
Phone: +966126971777-311
Fax: +97317704257
E-mail: h.berjas@ejjb.com.sa

Egypt

RBEG-LLC
22 Kamal Eldin Hussein
Sheraton Heliopolis
11799 Cairo
E-mail: boschegypt.powertools@eg.bosch.com

Iran

Robert Bosch Iran
3rd Floor, No 3, Maadiran Building
Aftab St., Khodami St., Vanak Sq.
Tehran 1994834571
Phone: +9821 86092057

Iraq

Sahba Technology Group
Al Muthana airport road
Baghdad
Phone: +9647901906953
Phone Dubai: +97143973851
E-mail: bosch@sahbatechnology.com

Jordan

Roots Arabia – Jordan
Nasser Bin Jameel street, Building 37 Al Rabiah
11194 Amman
Phone: +962 6 5545778
E-mail: bosch@rootsjordan.com

Kuwait

Al Qurain Automotive Trading Company
Shuwaikh Industrial Area, Block 1, Plot 16, Street 3rd
P.O. Box 164 – Safat 13002
Phone: 24810844
Fax: 24810879
E-mail: josephkr@aaalmutawa.com

Lebanon

Tehini Hana & Co. S.A.R.L.
P.O. Box 90-449
Jdeideh
Dora-Beirut
Phone: +9611255211
E-mail: service-pt@tehini-hana.com

Libya

El Naser for Workshop Tools
Swanee Road, Alfalah Area
Tripoli
Phone: +218 21 4811184

Oman

Malatan Trading & Contracting LLC
P.O. Box 131
Ruwi, 112 Sultanate of Oman
Phone: +968 99886794
E-mail: malatanpowertools@malatan.net

Qatar

International Construction Solutions W L L
P. O. Box 51,
Doha Phone: +974 40065458
Fax: +974 4453 8585
E-mail: csd@icsdoha.com

Saudi Arabia

Juffali Technical Equipment Co. (JTECO)
Kilo 14, Madinah Road, Al Bawadi District
Jeddah 21431
Phone: +966 2 6672222 Ext. 1528
Fax: +966 2 6676308
E-mail: roland@ejjb.com.sa

Syria

Dallal Establishment for Power Tools
P.O. Box 1030
Aleppo
Phone: +963212116083
E-mail: rita.dallal@hotmail.com

United Arab Emirates

Central Motors & Equipment LLC, P.O. Box 1984
Al-Wahda Street – Old Sana Building
Sharjah
Phone: +971 6 593 2777
Fax: +971 6 533 2269
E-mail: powertools@centralmotors.ae

Yemen

Abualrejal Trading Corporation
Sana'a Zubairy St. Front to new Parliament Building
Phone: +967-1-202010
Fax: +967-1-279029
E-mail: tech-tools@abualrejal.com

Ethiopia

Forever plc
Kebele 2,754, BP 4806,
Addis Ababa
Phone: +251 111 560 600
E-mail: foreverplc@ethionet.et

Ghana

Peew-Williams Services Company Ltd
Mile 7, Plot 331, Before Achimota Mall.
Accra
Tel. +233 5 52 35 25 11
E-mail: info@peew-williams.com

Kenya

Robert Bosch East Africa Ltd
Mpaka Road P.O. Box 856
00606 Nairobi

Nigeria

Robert Bosch Nigeria Ltd.
52–54 Isaac John Street P.O. Box
GRA Ikeja – Lagos

Republic of South Africa

Customer service
Hotline: (011) 6519600

Gauteng – BSC Service Centre

35 Roper Street, New Centre
Johannesburg
Tel.: (011) 4939375
Fax: (011) 4930126
E-mail: bsctools@icon.co.za

KZN – BSC Service Centre

Unit E, Almar Centre
143 Crompton Street
Pinetown
Tel.: (031) 7012120
Fax: (031) 7012446

E-mail: bsc.dur@za.bosch.com

Western Cape – BSC Service Centre

Democracy Way, Prosperity Park
Milnerton
Tel.: (021) 5512577
Fax: (021) 5513223
E-mail: bsc@zsd.co.za

Bosch Headquarters

Midrand, Gauteng
Tel.: (011) 6519600
Fax: (011) 6519880
E-mail: rbsa-hq.pts@za.bosch.com

Tanzania

Diesel & Autoelectric Service Ltd.
117 Nyerere Rd., P.O. Box 70839
Vingunguti 12109, Dar Es Salaam
Phone: +255 222 861 793/794

Australia, New Zealand and Pacific Islands

Robert Bosch Australia Pty. Ltd.
Power Tools
Locked Bag 66
Clayton South VIC 3169
Customer Contact Center
Inside Australia:
Phone: (01300) 307044
Fax: (01300) 307045
Inside New Zealand:
Phone: (0800) 543353
Fax: (0800) 428570
Outside AU and NZ:
Phone: +61 3 95415555
www.bosch-pt.com.au
www.bosch-pt.co.nz

Disposal

The power tool, accessories and packaging should be recycled in an environmentally friendly manner.



Do not dispose of power tools along with household waste.

中文

安全规章

电动工具通用安全警告

警告！ 警告！ 阅读所有警告和所有说明！ 不遵照以下警告和说明会导致电击、着火和/或严重伤害。

保存所有警告和说明书以备查阅。

在所有下列的警告中术语“电动工具”指市电驱动（有线）电动工具或电池驱动（无线）电动工具。

工作场地的安全

- ▶ **保持工作场地清洁和明亮。** 混乱和黑暗的场地会引发事故。
- ▶ **不要在易爆环境，如有易燃液体、气体或粉尘的环境下操作电动工具。** 电动工具产生的火花会点燃粉尘或气体。
- ▶ **让儿童和旁观者离开后操作电动工具。** 注意力不集中会使操作者失去对工具的控制。

电气安全

- ▶ **电动工具插头必须与插座相配。绝不能以任何方式改装插头。需接地的电动工具不能使用任何转换插头。** 未经改装的插头和相配的插座将减少电击危险。
- ▶ **避免人体接触接地表面，如管道、散热片和冰箱。** 如果你身体接地会增加电击危险。
- ▶ **不得将电动工具暴露在雨中或潮湿环境中。** 水进入电动工具将增加电击危险。
- ▶ **不得滥用电线。绝不能用电线搬运、拉动电动工具或拔出其插头。使电线远离热源、油、锐边或运动部件。** 受损或缠绕的软线会增加电击危险。
- ▶ **当在户外使用电动工具时，使用适合户外使用的外接软线。** 适合户外使用的软线将减少电击危险。
- ▶ **如果在潮湿环境下操作电动工具是不可避免的，应使用剩余电流动作保护器 (RCD)。** 使用 RCD 可减少电击危险。

人身安全

- ▶ **保持警觉，当操作电动工具时关注所从事的操作并保持清醒。当你感到疲倦，或在有药物、酒精或治疗反应时，不要操作电动工具。** 在操作电动工具时瞬间的疏忽会导致严重人身伤害。

- ▶ **使用个人防护装置。始终佩戴护目镜。** 安全装置，诸如适当条件下使用防尘面具、防滑安全鞋、安全帽、听力防护等装置能减少人身伤害。
- ▶ **防止意外起动。确保开关在连接电源和/或电池盒、拿起或搬运工具时处于关断位置。** 手指放在已接通电源的开关上或开关处于接通时插入插头可能会导致危险。
- ▶ **在电动工具接通之前，拿掉所有调节钥匙或扳手。** 遗留在电动工具旋转零件上的扳手或钥匙会导致人身伤害。
- ▶ **手不要伸展得太长。时刻注意立足点和身体平衡。** 这样在意外情况下能很好地控制电动工具。
- ▶ **着装适当。不要穿宽松衣服或佩戴饰品。** 让衣服、手套和头发远离运动部件。宽松衣服、配饰或长发可能会卷入运动部件中。
- ▶ **如果提供了与排屑、集尘设备连接用的装置，要确保他们连接完好且使用得当。** 使用这些装置可减少尘屑引起的危险。
- ▶ **即使由于经常使用电动工具而对此非常熟悉，也不要就认为可以高枕无忧而忽略工具的安全规定。** 粗心大意的行为可能在瞬间就造成严重的伤害。

电动工具使用和注意事项 电动工具使用和注意事项

- ▶ **不要滥用电动工具，根据用途使用适当的电动工具。** 选用适当设计的电动工具会使你工作更有效、更安全。
- ▶ **如果开关不能接通或关断工具电源，则不能使用该电动工具。** 如果开关不能接通或关断工具电源，则不能使用该电动工具。
- ▶ **在进行任何调节、更换附件或贮存电动工具之前，必须从电源上拔掉插头和/或使电池盒与工具脱开。** 这种防护性措施将减少工具意外起动的危险。
- ▶ **将闲置不用的电动工具贮存在儿童所及范围之外，并且不要让不熟悉电动工具或对这些说明不了解的人操作电动工具。** 电动工具在未经培训的用户手中是危险的。
- ▶ **保养电动工具。检查运动件是否调整到位或卡住，检查零件破损情况和影响电动工具运行的其他状况。** 如有损坏，电动工具应在使用前修理好。许多事故由维护不良的电动工具引发。
- ▶ **保持切削刀具锋利和清洁。** 保养良好的有锋利切削刃的刀具不易卡住而且容易控制。

- ▶ **按照使用说明书，考虑作业条件和进行的作业来使用电动工具、附件和工具的刀头等。** 将电动工具用于那些与其用途不符的操作可能会导致危险。
- ▶ **保持手柄和握持表面干燥、清洁、无油污。** 在突发情况下，滑溜的手柄和握持表面无法确保安全地握持和控制工具。

维修

- ▶ **将电动工具用于那些与其用途不符的操作可能会导致危险。** 这样将确保所维修的电动工具的安全性。

斜切锯安全警告

- ▶ **斜切锯用于切割木材及类似木材的产品，不得与切割砂轮一起使用而用于切割铁质材料（比如棒、杆、螺母等）。磨屑会导致移动件（比如下部防护罩）卡住。砂轮切割产生的火花会烧坏下部防护罩、切口嵌件和其它塑料零部件。**
- ▶ **尽可能使用夹箍来支承加工件。如果用手支承加工件，必须始终确保手与锯片的每一侧至少相距 100 mm。如果加工件太小而不能稳固夹紧或用手握住，则不要使用此锯切割。** 如果您的手离锯片过近，因接触锯片而导致受伤的风险就会增大。
- ▶ **加工件必须保持固定和夹紧，或紧靠栅栏和桌面。不要将加工件送入锯片或以任何方式徒手切割。** 未固定或可移动的加工件可能会高速抛出，从而导致受伤。
- ▶ **采用推入方式切割加工件。不要采用拉动方式。进行切割时，抬起锯头并将其拉出至加工件上方而不要进行切割，起动机，将锯头向下压，并将锯推入加工件。** 如果在拉动行程切割，很可能导致锯片攀爬到加工件顶部，并将锯片总成猛烈抛向操作员。
- ▶ **切勿将手交叉放在锯片前面或后面的目标切割线上。** 交叉用手支承加工件（即用左手将加工件固定在锯片右侧，或用右手将加工件固定在锯片左侧）非常危险。
- ▶ **当锯片旋转时，不要为了去除木头碎片或出于任何其它原因，而将手伸到栅栏后面距离锯片每侧小于 100 mm 的位置。** 旋转锯片与手部的距离可能不太明显，从而会导致严重受伤。
- ▶ **切割之前，先检查您的加工件。如果加工件弯曲或扭曲，则将其夹紧，使外弓面朝向栅栏。始终确保加工件、栅栏与桌面之间沿切割线处没有空隙。** 弯曲或扭曲的加工件会扭动或移动，可能导

致切割时旋转锯片上出现粘结。加工件中不得有钉子或异物。

- ▶ **将桌面上除加工件之外的所有工具、木头碎片等清理干净之后，才可以使用锯。** 小碎片或散乱的碎木屑或其它接触旋转锯片的物体会被高速抛出。
- ▶ **每次只能切割一个加工件。** 多个加工件堆叠在一起便无法充分夹紧或绷紧，可能导致切割时锯片上出现粘结或加工件移动。
- ▶ **使用之前，应确保将斜切锯安装或放置在水平、牢固的工作表面上。** 水平且牢固的工作表面可降低斜切锯不稳定的风险。
- ▶ **计划您的工作。每次更换斜面或斜角设置时，应确保正确设置可调栅栏以支承加工件，并确保其不会干扰锯片或防护系统。** 在工具关闭并且桌面上不放置加工件的情况下，模拟锯片穿过整个切口的过程，以确保没有干扰或切到栅栏的风险。
- ▶ **加工比桌面更宽或更长的加工件时，应提供充分支承，比如工作台延伸、锯木架等。** 如果支承不牢固，比斜切锯桌面更长或更宽的加工件会倾斜。如果切割件或加工件倾斜，它会抬起下部防护罩或被旋转锯片抛出。
- ▶ **不要让另一个人代替工作台延伸或作为附加支承。** 如果加工件支承不稳定，会导致锯片出现粘结或者加工件在切割操作期间移动，从而将您及助手拉至旋转的锯片。
- ▶ **切割件不得卡住或压住旋转的锯片。** 如果进行限制（使用长度限制止挡），切割件会楔入锯片并猛烈抛出。
- ▶ **当对圆形材料（比如杆或管材）进行切割时，务必使用可正确支承的夹箍或夹具。** 杆在切割时很可能会滚动，导致锯片“切入”并将您手中的工件拉向锯片。
- ▶ **接触加工件之前，使锯片达到全速。** 这会降低加工件抛出的风险。
- ▶ **如果加工件或锯片卡住，则关闭斜切锯。待所有移动件都停止后，拔下电源插头并/或拆下电池组。** 然后使卡住的材料可以自由移动。继续切割卡住的加工件会导致斜切锯失控或损坏。
- ▶ **切割完成后，释放开关，保持锯头向下，待锯片停止后去除切割件。** 用手接近滑转锯片非常危险。
- ▶ **进行不完全切断时，或者在锯头完全处于向下位置之前释放开关时，应紧紧握住手柄。** 锯的制动操作会导致锯头突然向下拉动，存在受伤风险。
- ▶ **工作场地应保持清洁。** 材料混合特别危险。轻金属粉尘可能会起火燃烧或爆炸。

- ▶ **不可以使用已经变钝、有裂痕、弯曲或损坏的锯片。** 锯片如果已经变钝了，或者锯齿变形了，会因为锯缝过小而提高锯割时的摩擦，锯片容易被夹住并造成反弹。
- ▶ **不可以使用高合金快速钢（HSS）制造的锯片。** 此类锯片容易折断。
- ▶ **始终使用轴孔尺寸和形状（菱形/圆形）正确的锯片。** 与台锯的安装硬件不匹配的锯片会偏离中心，造成失控。
- ▶ **如果电动工具仍在运转，不可以试着清除锯割范围内的锯屑、木屑等等。** 始终先收回机臂然后再关闭电动工具。
- ▶ **工作后如果锯片尚未冷却，切勿触摸锯片。** 工作时锯片会变得非常灼热。

符号

以下符号可以帮助您正确地使用本电动工具。请牢记各符号和它们的代表意思。正确了解各符号的代表意思，可以帮助您更有把握更安全地操作本电动工具。

符号和它们的代表意义



当电动工具运转时，切勿把手放在锯割范围内。 如果手碰到锯片，有受伤危险。



请佩戴防尘面具。



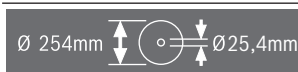
请佩戴护目镜。



请佩戴耳罩。 工作噪音会损坏听力。



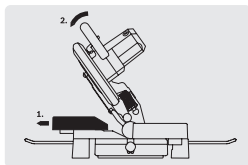
危险范围！手掌、手臂和手指头必须尽可能远离这个范围。



请留心锯片的尺寸。 锯片上的孔径必须和工具主轴完全吻合，不能有空隙。如需使用缩径套，应注意根

符号和它们的代表意义

据锯片厚度、锯片孔径以及工具主轴直径来调整缩径套的尺寸。尽可能使用与锯片配套的缩径套。锯片直径必须与图标上的说明一致。



锯切垂直斜角时必须向外拉动或完全取下活动式挡轨。

产品和性能说明

请阅读所有安全规章和指示。不遵照以下警告和说明可能导致电击、着火和/或严重伤害。
请注意本使用说明书开头部分的图示。

按照规定使用

本电动工具适合以站立的方式进行纵向和横向的直线锯割。水平斜切角度的范围在-47度至+52度之间，垂直斜切角度的范围在0度至45度之间。

本电动工具的功率适合锯割硬木和软木，木屑夹板和纤维板以及铝片和塑料板。

插图上的机件

机件的编号和电动工具详解图上的编号一致。

- | | | | |
|------|------------------|------|---------------------|
| (1) | 防护罩 | (16) | 针对延伸架的安装孔 |
| (2) | 用于松开机臂的杆 | (17) | 活动式挡轨 |
| (3) | 手柄 | (18) | 螺旋夹钳 |
| (4) | 电源开关 | (19) | 集尘袋 |
| (5) | 摆动防护罩 | (20) | 导屑器 |
| (6) | 挡轨 | (21) | 用于固定活动式挡轨的蝶翼螺丝 |
| (7) | 锯台 | (22) | 内六角扳手 (6毫米) / 十字螺丝刀 |
| (8) | 螺旋夹钳安装孔 | (23) | 45度斜切角度的限位螺栓 (垂直) |
| (9) | 垫板 | (24) | 防颠覆架 |
| (10) | 任意斜切角度的固定旋钮 (水平) | (25) | 锯屑排口 |
| (11) | 斜切角度预设置杆 (水平) | (26) | 任意斜切角度的夹紧柄 (垂直) |
| (12) | 斜切角度的角度指示器 (水平) | (27) | 运输固定装置 |
| (13) | 斜切角度刻度尺 (水平) | (28) | 运输柄 |
| (14) | 安装孔 | (29) | 主轴锁 |
| (15) | 握柄槽 | (30) | 限深器的调整螺栓 |
| | | (31) | 斜切角度的角度指示器 (垂直) |
| | | (32) | 斜切角度刻度尺 (垂直) |
| | | (33) | 0度斜切角度的限位螺栓 (垂直) |
| | | (34) | 防颠覆架安装孔 |
| | | (35) | 固定套件的“防颠覆架” |
| | | (36) | 延伸架 |
| | | (37) | 延伸架固定螺栓 |
| | | (38) | 十字螺丝 (活动防护罩的固定螺丝) |
| | | (39) | 固定锯片的内六角螺栓 |
| | | (40) | 夹紧法兰 |
| | | (41) | 锯片 |
| | | (42) | 内夹紧法兰 |
| | | (43) | 匹配螺杆高度的蝶翼螺丝 |
| | | (44) | 螺杆 |
| | | (45) | 标准斜切角度的标记槽 (水平) |
| | | (46) | 垫板的固定螺栓 |
| | | (47) | 挡轨内六角螺栓 |
| | | (48) | 角度指示器螺栓 (垂直) |

技术参数

摆锯和斜切锯		GCM 10 MX
物品代码		3 601 M29 0..
额定输入功率	瓦	1700
空载转速	转/分钟	4800
重量符合EPTA-Procedure 01:2014	千克	16.8
保护等级		□/
许可的工件尺寸 (最大/最小) : (参见“许可的工件尺寸”, 页 28)		
所有参数适用于230伏的额定电压[U], 对于其他不同的电压和国际规格, 数据有可能不同。		
合适锯片的尺寸		
锯片直径	毫米	254
锯片主体的厚度	毫米	1.8-2.8
固定孔直径	毫米	25.4

噪音说明

根据EN 62841-3-9确定噪音排放值。

评价为A的电动工具噪声水平通常为：声压级92分贝

(A)；声功率级105分贝(A)。不确定性系数K=3分贝。

请佩戴听力防护装置！

本说明给出的噪声辐射值是依据一个标准化测量方式所测得的，可用于电动工具之间的比较。也适用于对噪声辐射的临时估计。

给出的噪声辐射值代表了电动工具的主要用途。但是，如果将电动工具挪作他用、使用有所偏差的工具刀头或保养不利，噪声辐射值可能会不同。这样长期工作下来会明显地提高噪声辐射。

要精确估计噪声辐射，还应考虑电动工具关闭的时间或尽管运转但实际上并未使用的时间。这些因素都会明显降低整个工作过程的噪声辐射。

安装

- ▶ 避免意外启动电动工具。安装锯片时或在电动工具上所有工作时，电源插头都不允许连接电源。

供货范围



为此请注意操作说明书开头显示的供货范围。

电动工具初次投入运行前请检查下列零件是否均配套提供：

- 已经安装好锯片的摆锯和斜切锯
- 集尘袋(19)
- 螺旋夹钳(18)

- 内六角扳手/十字螺丝刀(22)
- 防颠覆架(24)带固定套件(35) (2个螺栓, 2个垫片, 2个方头螺母)

提示：检查电动工具是否有损坏之处。

使用电动工具之前，必须详细检查防护装置或轻微损坏的零件是否仍然运作正常。检查活动性零件是否功能正常不会被夹住，以及该零件有否受损。所有的零件都必须安装正确，并且符合规定以确保机器的正常功能。

损坏的防护装置和零件必须按照规定交给合格的专业修理厂修理或更换。

组合各部件

- 小心地从包装中取出所有的供货物品。
- 拆除电动工具和附带附件上的所有包装材料。

安装防颠覆架 (参见插图A)

在首次使用电动工具前务必安装防颠覆架(24)。

安装时使用“防颠覆架”固定套件(35)。

- 请将方头螺母(35)插入规定的底板上的钻孔(34)中。
- 请将垫片(35)插入固定螺栓(35)中并将防颠覆架(24)旋入已安装的螺母中。

▶ **请勿拆除防颠覆架。**如果不使用防止颠覆装置，电动工具无法站稳。尤其是使用最大斜锯角度锯割时，机器可能倾覆。

安装延伸架 (参见插图B)

如果工件又长又重，必须在它悬空的末端放上衬垫或做好支撑。

您可以在电动工具的左侧或右侧安装延伸架。如此有加宽锯桌的效果。

- 将电动工具两侧的延伸架(36)推入规定的孔(16)中，直至极限位置。
- 拧紧固定螺栓(37)以保护延伸架。

固定或活动的安装方式

- ▶ 为了能够稳定地操作机器，正式使用之前，必须将电动工具固定在平坦、稳固的工作平面上（例如工作台）。

安装在工作面上 (参见插图C1-C2)

- 使用合适的螺栓连接将电动工具固定在工作面上。为此需要钻孔(14)。

或

- 使用市售螺旋夹钳将电动工具的支撑脚夹紧在工作面上。

安装在博世工作台上

博世的GTA工作台有可调整高度的桌脚，使电动工具能够站立在任何底面上。工作台的工件托架用于支撑住比较长的工件。

- ▶ **阅读工作台附带的所有警告提示和说明。** 如果不遵守警告提示和说明，可能会导致触电、火灾和/或严重受伤的后果。
- ▶ **安装电动工具之前必须先正确地组装工作台。** 正确组装工作台非常重要，这样可以避免工作台倒塌。
- 将电动工具以运输位置安装在工作台上。

吸尘/吸锯屑

含铅的颜料以及某些木材、矿物和金属的加工废尘有害健康。机器操作者或者工地附近的人如果接触、吸入这些废尘，可能会有过敏反应或者感染呼吸道疾病。

某些尘埃（例如加工橡木或山毛榉的废尘）可能致癌，特别是和处理木材的添加剂（例如木材的防腐剂等）结合之后。只有经过专业训练的人才能够加工含石棉的物料。

- 尽可能使用适合物料的吸尘装置。
- 工作场所要保持空气流通。
- 最好佩戴P2滤网等级的口罩。

请留心并遵守贵国和加工物料有关的法规。

- ▶ **避免让工作场所堆积过多的尘垢。** 尘垢容易被点燃。

尘/屑收集装置可能因为废尘、废屑或工件的残屑而造成堵塞。

- 关闭电动工具，并且从插座中拔出插头。
- 静候让锯片完全停止转动。
- 找出造成阻塞的原因，并且排除障碍。

自集尘（参见插图D）

请使用随附的集尘袋(19)来轻松收集碎屑。

- 将集尘袋(19)套到出屑口(25)上。

锯割时，集尘袋千万不可以接触转动中的零件。及时倒空集尘袋中的废尘。

- ▶ **每次操作完后，都要检查并且清洁集尘袋。**
- ▶ **为了避免造成火灾，锯割铝片时要拆除集尘袋。**

外部集尘

集尘时，可以将集尘器软管（直径35毫米）连接到锯屑排口(25)上。

- 将集尘器软管与锯屑排口(25)连接到一起。

根据工件的物料选择合适的集尘装置。

抽吸可能危害健康、可能导致癌症或干燥的废尘时，务必使用特殊的集尘装置。

更换锯片（参见插图E1-E3）

- ▶ **在电动工具上进行所有操作之前都必须从插座上拔出电源插头。**
- ▶ **安装锯片时务必穿戴防护手套。** 手如果接触锯片可能被割伤。

所使用的锯片的最高许可转速必须高于电动工具的空载转速。

根据本说明书中提出的技术数据选择合适的锯片。必须选用通过EN 847-1认证而且标示了此认证的锯片。

只能使用由本电动工具制造商所推荐的锯片，以及适合加工物料的锯片。这可防止锯切时锯齿过热。

拆卸锯片

- 将电动工具调整在工作位置上。
- 按压提杆(2)，向后翻转摆动防护罩(5)，直至极限位置。
让摆动防护罩保持在这个位置。
- 用随附的十字螺丝刀(38)松开螺栓(22)，直至可以向后翻转摆动防护罩，直至极限位置来固定防护罩。
- 用随附的内六角扳手(22)转动内六角螺栓(39)，同时按下主轴锁(29)，直到卡紧。
- 按住主轴锁(29)并顺时针拧出螺栓(39)（左螺纹！）。
- 取下夹紧法兰(40)。
- 取下锯片(41)。

安装锯片

必要的话，在安装之前清洁所有的零部件。

- 将新锯片放到内夹紧法兰(42)上。
- ▶ **安装时请注意，锯齿的锯切方向（锯片上的箭头方向）必须和防护罩上的箭头方向一致！**
- 安装固定法兰(40)和螺栓(39)。按压主轴锁(29)，直至卡止，然后逆时针拧紧螺栓。
- 向前和向下按压摆动防护罩(5)，直至螺栓(38)卡入相应的凹槽中。
此时可能必须握着机臂上的握柄，以抵抗活动防护罩的初应力。
- 再次固定摆动防护罩(5)（拧紧螺栓(38)）。
- 按压提杆(2)，将摆动防护罩再次向下移动。
- ▶ **安装夹紧法兰时请注意将较宽的一侧向着锯片。**
按相反的顺序安装则无法拧紧锯片。

运行

- ▶ **在电动工具上进行所有操作之前都必须从插座上拔出电源插头。**

运输固定装置（参见插图F）

运输固定装置(27)方便您将电动工具运输到不同的安装位置。

松开电动工具的锁定 (工作位置)

- 通过手柄(3)略微向下按压机臂，以松开运输固定装置(27)。
- 向外完全拉出运输固定装置(27)。
- 慢慢向上提起机臂。

提示：操作时请注意不要向内按压运输固定装置，否则机臂无法摆动到所需的深度。

锁定电动工具 (运输位置)

- 向内摆动限深器，直至手把(3)上的机臂完全向下摆动。
- 按压提杆(2)，同时通过手柄(3)尽可能地向下移动机臂，直至将运输固定装置(27)向内压到底。

此时机臂已经被锁定，您可以搬运机器了。

准备工作

移动挡轨 (参见插图G)

在锯切垂直斜切角时，必须移动活动式挡轨(17)。

- 松开翼形螺栓(21)。
- 向外完全拉出活动式挡轨(17)。
- 重新拧紧翼形螺栓(21)。

锯切垂直斜切角后，将活动式挡轨(17)移到原位（拧松翼形螺栓(21)；完全向内移动挡轨(17)；再度拧紧翼形螺栓）。

固定工件 (参见插图H)

为了确保最佳工作安全性，务必固定好工件。不要加工太小而无法固定的工件。

- 把工件紧紧地顶在挡轨(6)和(17)上。
- 将随附的螺旋夹钳(18)插到规定的孔(8)中。
- 拧松翼形螺栓(43)，根据工件调整螺栓夹钳。重新拧紧翼形螺栓。
- 拧紧螺杆(44)，从而固定住工件。

放松工件

- 逆时针旋转螺杆(44)，以便松开螺栓夹钳。

设定水平和垂直斜切角度

- ▶ **维修电动工具或换装零、配件之前，务必从插座上拔出插头并使金刚石锯片处于静止状态。**

为了确保精确的锯切，在频繁使用之后必须检查电动工具的基本设定，必要时进行适度调整。检查时不仅要有足够的经验，而且还要使用特殊工具。

博世的客户服务中心能够快速可靠地执行这项工作。

- ▶ **锯切前务必拧紧固定旋钮(10)。**否则锯片可能在工件中倾斜。

设定水平斜切角度 (参见插图I)

水平斜切角度的调整范围在47度（左侧）和52度（右侧）之间。

- 如果固定旋钮(10)被拧紧了，请先松开。
- 按压提杆(11)，并向左或向右旋转固定旋钮上的锯台(7)，并借助角度指示器(12)调节至所需的水平斜切角度。
- 再次拧紧固定旋钮(10)。

锯台上设有标记槽(45)，以便快速精确地调整经常使用的水平斜切角度：

左	0度	右
45度；30度；22.5度；15度		15度；22.5度；30度；45度

- 如果固定旋钮(10)被拧紧了，请先松开。
- 按压提杆(11)，向左或向右转动锯台(7)，直至达到所需的标记槽。
- 重新松开操作杆。必须可以感觉到杆卡入标记槽中。
- 再次拧紧固定旋钮(10)。

设定垂直斜切角度 (参见插图J)

垂直斜切角度的调整范围在0度至45度之间。

- 松开夹紧手柄(26)。
- 握住手柄(3)摆动机臂，直至角度指示器(31)指在需要的垂直斜切角度上。
- 让机臂保持在这个位置，并重新拧紧夹紧手柄(26)。

出厂时已设置好的限位螺栓 ((33)和(23)) 用于快速精确地设定标准角度0度和45度。

- 松开夹紧手柄(26)。
- 握住手柄(3)将机臂向右摆动到挡块（0度）或向左摆动到挡块（45度）。
- 重新拧紧夹紧手柄(26)。

投入使用

- ▶ **注意电源电压！**电源的电压必须和电动工具铭牌上标示的电压一致。标记为230伏电动工具用220伏的电压可以驱动。

接通 (参见插图K)

- 使用时请按压起停开关(4)并按住。

提示：基于安全的顾虑，电源开关(4)无法被锁定。所以操作机器时必须持续地按住开关。

只有通过按压提杆(2)才能够向下移动机臂。

- 因此在锯切时必须额外按压提杆(2)，以便操作起停开关(4)。

关机

- 关闭时，请松开电源开关(4)。

工作提示

一般性的锯切提示

- ▶ 锯切之前务必拧紧固定旋钮(10)和夹紧手柄(26)。否则锯片可能在工件中倾斜。
- ▶ 进行任何锯切之前，必须先确定锯片不会接触挡轨、螺旋夹钳或其它的机件。必要时得拆除辅助挡块，或者适度调整辅助挡块。

保护锯片免受冲撞和敲击。不可以侧压锯片。

不可以加工变形的工件。工件必须有一道笔直的边，这样才能够紧靠在挡轨上。

如果工件又长又重，必须在它悬空的末端放上衬垫或做好支撑。

检查摆动防护罩的功能是否正常，能否自由移动。向下移动机臂时，必须打开摆动防护罩。向上移动机臂时，必须关闭锯片上方的摆动防护罩并卡在机臂最上方的位置。

仅锯切已批准使用的材料。

操作者的位置 (参见插图L)

- ▶ 不要和电动工具前的锯片站在一条线上，而是要站在锯片的侧面。这样可以避免工具回跳而伤到身体。
- 手掌、手指和手臂必须远离转动中的锯片。
- 不要在机臂前交叉双手。

许可的工件尺寸

最大工件:

水平斜切 角度	垂直斜切 角度	高 x 宽 [毫米]	
		在最大高度	在最大宽度
0度	0度	89 x 89	62 x 130
45度	0度	86 x 67	65 x 91
0度	45度	44 x 95	32 x 130
45度	45度	44 x 67	32 x 91

最小工件 (= 所有可以通过随附的快速卡钳夹紧在锯片左侧或右侧的工件): 110 x 130毫米 (长 x 宽)

最大切削深度 (0度/0度): 89毫米

更换垫板 (参见插图M)

长期使用电动工具之后，垫板(9)会磨损。

更换损坏的垫板。

- 将电动工具调整在工作位置上。

- 用随附的十字螺丝刀(22)旋出螺栓(46)，然后取出旧垫板。
- 用螺栓(46)尽可能地向右拧紧垫板，使锯片在整个可能的切削长度上不与垫板接触。

锯切 (摆锯)

- 根据尺寸正确地夹紧工件。
- 设定好需要的水平和/或垂直斜锯角。
- 调节调整螺栓(30)的高度，直至完全切锯了工件。
- 接通电动工具的电源。
- 按压提杆(2)，通过手柄(3)缓慢向下移动机臂。
- 施力均匀地锯切工件。
- 关闭电动工具并等待，直至锯片完全停止转动。
- 慢慢向上提起机臂。

调整限深器 (切槽) (参见插图N)

切锯凹槽时，必须按顺时针旋转限深挡块的调整螺栓(30)。

- 将手把(3)上的机臂摆动到所需凹槽深度位置。
- 顺时针旋转调整螺栓(30)，直至螺栓底部碰到外壳限位。
- 慢慢向上提起机臂。

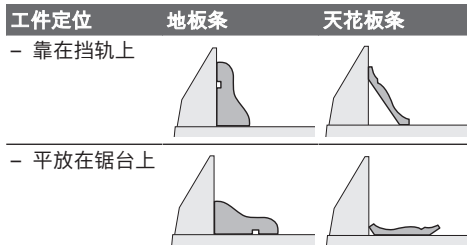
特殊工件

锯切弯曲或圆形工件时，必须特别加强固定好工作，以防工件打滑。在锯切线上，工件、挡轨和锯台之间不允许有空隙。

必要时，必须制造专用支架。

加工雕刻的木条

可以使用以下两种不同的方式加工条状型材:



务必先在废木上测试设定好的斜切角度 (水平和/或垂直)。

检查和调整基本设定

为了确保精确的锯切，在频繁使用之后必须检查电动工具的基本设定，必要时进行适度调整。检查时不仅要有足够的经验，而且还要使用特殊工具。

博世的客户服务中心能够快速可靠地执行这项工作。

校准挡轨

- 将电动工具调整在运输位置上。

- 转动锯台(7)，直至达到0度对应的标记槽(45)。必须可以感觉到杆(11)卡入标记槽中。

- 向外完全拉出活动式挡轨(17)。

检查 (参见插图O1)

- 将角规调节到90°并在锯台(7)上将其与锯片(41)齐平地放到挡轨(6)和锯片之间。

角规的一边必须紧紧地贴靠着挡轨。

调整 (参见插图O2)

- 用随附的内六角扳手(22)松开所有的内六角螺栓(47)。

- 转动挡轨(6)，直到角规在整个长度上齐平。

- 重新拧紧螺栓。

将垂直标准斜切角度调到0°

- 将电动工具调整在运输位置上。

- 转动锯台(7)，直至达到0°对应的标记槽(45)。必须可以感觉到杆(11)卡入标记槽中。

检查 (参见插图P1)

- 将角规调整到90°并将其放到锯台(7)上。

角规的支脚必须与锯片(41)在整个长度上齐平。

调整 (参见插图P2)

- 松开夹紧手柄(26)。

- 用市售环形扳手或开口扳手(13毫米)松开限位螺栓(33)的锁紧螺母。

- 反复旋入或旋出限位螺栓，直至角规的支脚与锯片在整个长度上齐平。

- 重新拧紧夹紧手柄(26)。

- 然后，再次拧紧限位螺栓(33)的锁紧螺母。

如果角度指示器(31)在调整后未指向刻度尺(32)的0°标记线，请用市售十字螺丝刀松开螺栓(48)，并沿着0°标记校准角度指示器。(参见插图R)

将垂直标准斜切角度调到45°

- 将电动工具调整在工作位置上。

- 转动锯台(7)，直至达到0度对应的标记槽(45)。必须可以感觉到杆(11)卡入标记槽中。

- 松开夹紧手柄(26)并通过手柄(3)将机臂向左翻到极限位置(45度)。

检查 (参见插图Q1)

- 将角规调整到45°并将其放到锯台(7)上。

角规的支脚必须与锯片(41)在整个长度上齐平。

调整 (参见插图Q2)

- 用市售环形扳手或开口扳手(13毫米)松开限位螺栓(23)的锁紧螺母。

- 反复旋入或旋出限位螺栓，直至角规的支脚与锯片在整个长度上齐平。

- 重新拧紧夹紧手柄(26)。

- 然后，再次拧紧限位螺栓(23)的锁紧螺母。

如果角度指示器(31)在调整后未指向刻度尺(32)的45°标记线，首先请再次检查垂直斜切角度的0°设置和角度指示器。然后重复设定45度垂直斜切角度。

运输 (参见插图S)

运输电动工具之前必须先执行以下各步骤：

- 将电动工具调整在运输位置上。

- 拆除所有无法固定在电动工具上的附件。

运输时必须尽可能把不使用的锯片放置在封闭的盒子中。

- 通过运输手柄(28)抬起电动工具或握住锯台侧面的握柄槽(15)。

▶ 搬动电动工具时只能使用运输装置，不可以利用防护装置来运输电动工具。

保养和维修

保养和清洁

▶ 在电动工具上进行所有操作之前都必须从插座上拔出电源插头。

▶ 电动工具和通气孔必须随时保持清洁，以确保工作效率和工作安全。

如果必须更换连接线，务必把这项工作交给Bosch或者经授权的Bosch电动工具顾客服务执行，以避免危害机器的安全性能。

摆动防护罩必须能够无阻地来回摆动，并且要能够自动关闭，所以防护罩的四周必须随时保持清洁。每次工作结束后，使用压缩空气或毛刷清除机器上的灰尘和锯屑。

附件

物品代码

3 601 M29 040,	
3 601 M29 0B0:	1 619 PA6 916
延伸架	

用于硬木、复合材料、塑料和非铁金属的锯片

锯片, 254 x 25.4毫米, 100齿	1 609 B00 844
------------------------	---------------

用于木材和板材、装饰板和木条的锯片

锯片, 254 x 25.4毫米, 40齿	2 608 673 047
-----------------------	---------------

锯片, 254 x 25.4毫米, 100齿	2 608 640 904
------------------------	---------------

客户服务和应用咨询

本公司顾客服务处负责回答有关本公司产品的修理、维护和备件的问题。备件的展开图纸和信息也

可查看: www.bosch-pt.com

博世应用咨询团队乐于就我们的产品及附件问题提供帮助。

询问和订购备件时, 务必提供机器铭牌上标示的10位数物品代码。

香港和澳门特别行政区

罗伯特博世有限公司
香港北角英皇道625号,
21楼
客户服务热线: +852 2101 0235
传真: +852 2590 9762
电子邮件: info@hk.bosch.com
www.bosch-pt.com.hk

制造商地址:

Robert Bosch Power Tools GmbH
罗伯特·博世电动工具有限公司
70538 Stuttgart / GERMANY
70538 斯图加特 / 德国

中国大陆

博世电动工具(中国)有限公司, 中国浙江省杭州市
滨江区滨康路567号
102/1F服务中心
邮政编码: 310052
电话: (0571) 8887 5566 / 5588
传真: (0571) 8887 6688 x 5566# / 5588#
电邮: bsc.hz@cn.bosch.com

中华人民共和国

中国大陆

博世电动工具(中国)有限公司
博世服务中心
中国浙江省杭州市
滨江区
滨康路567号,
310052
电话: (0571) 8887 5566 / 5588
传真: (0571) 8887 6688 x 5566# / 5588#
电子邮件: bsc.hz@cn.bosch.com
www.bosch-pt.com.cn

处理废弃物

必须以符合环保要求的方式回收再利用电动工具、附件和包装材料。



请勿将电动工具扔到生活垃圾中!

繁體中文

安全注意事項

電動工具一般安全注意事項

警告 請詳讀工作臺及電動工具的所有安全警告與使用說明。若不遵照以下列出的指示, 將可能導致電擊、著火和 / 或人員重傷。

保存所有警告和說明書以備查閱。

在所有警告中, 「電動工具」此一名詞泛指: 以市電驅動的(有線)電動工具或是以電池驅動的(無線)電動工具。

工作場地的安全

- ▶ **保持工作場地清潔和明亮。** 混亂和黑暗的場地會引發事故。
- ▶ **不要在易爆環境, 如有易燃液體、氣體或粉塵的環境下操作電動工具。** 電動工具產生的火花會點燃粉塵或氣體。
- ▶ **讓兒童和旁觀者離開後操作電動工具。** 注意力不集中會使您失去對工具的控制。

電氣安全

- ▶ **電動工具插頭必須與插座相配。** 絕不能以任何方式改裝插頭。需接地的電動工具不能使用任何轉換插頭。未經改裝的插頭和相配的插座將減少電擊危險。
- ▶ **避免人體接觸接地表面, 如管道、散熱片和冰箱。** 如果您身體接地會增加電擊危險。
- ▶ **不得將電動工具暴露在雨中或潮濕環境中。** 水進入電動工具將增加電擊危險。
- ▶ **不得濫用電線。** 絕不能用電線搬運、拉動電動工具或拔出其插頭。使電線遠離熱源、油、銳利邊緣或移動零件。受損或纏繞的軟線會增加電擊危險。
- ▶ **當在戶外使用電動工具時, 使用適合戶外使用的延長線。** 適合戶外使用的軟線, 將減少電擊危險。
- ▶ **如果在潮濕環境下操作電動工具是不可避免的, 應使用剩餘電流動作保護器(RCD)。** 使用RCD可降低電擊危險。

人身安全

- ▶ **保持警覺, 當操作電動工具時關注所從事的操作並保持清醒。** 當您感到疲倦, 或在有藥物、酒精或治療反應時, 不要操作電動工具。在操作電動工具時瞬間的疏忽會導致嚴重人身傷害。

- ▶ **使用個人防護裝置。始終佩戴護目鏡。**安全裝置，諸如適當條件下使用防塵面具、防滑安全鞋、安全帽、聽力防護等裝置能減少人身傷害。
- ▶ **防止意外起動。確保開關在連接電源和 / 或電池盒、拿起或搬運工具時處於關閉位置。**手指放在已接通電源的開關上或開關處於接通時插入插頭可能會導致危險。
- ▶ **在電動工具接通之前，拿掉所有調節鑰匙或扳手。**遺留在電動工具旋轉零件上的扳手或鑰匙會導致人身傷害。
- ▶ **手不要伸展得太長。時刻注意立足點和身體平衡。**這樣在意外情況下能很好地控制電動工具。
- ▶ **著裝適當。不要穿寬鬆衣服或佩戴飾品。讓您的衣物及頭髮遠離運動部件。**寬鬆衣服、佩飾或長髮可能會捲入運動部件中。
- ▶ **如果提供了與排屑、集塵設備連接用的裝置，要確保他們連接完好且使用得當。**使用這些裝置可減少塵屑引起的危險。
- ▶ **切勿因經常使用工具所累積的熟練感而過度自信，輕忽工具的安全守則。**任何一個魯莽的舉動都可能瞬間造成人員重傷。

電動工具使用和注意事項

- ▶ **不要濫用電動工具，根據用途使用適當的電動工具。**選用適當設計的電動工具會使您工作更有效、更安全。
- ▶ **如果開關不能開啟或關閉工具電源，則不能使用該電動工具。**不能用開關來控制的電動工具是危險的且必須進行修理。
- ▶ **在進行任何調整、更換配件或貯存電動工具之前，必須從電源上拔掉插頭並 / 或取出電池盒。**這種防護性措施將減少工具意外起動的危險。
- ▶ **將閒置不用的電動工具貯存在兒童所及範圍之外，並且不要讓不熟悉電動工具或對這些說明不瞭解的人操作電動工具。**電動工具在未經培訓的用戶手中是危險的。
- ▶ **保養電動工具與配備。檢查運動件是否調整到位或卡住，檢查零件破損情況和影響電動工具運行的其他狀況。**如有損壞，電動工具應在使用前修理好。許多事故由維護不良的電動工具引發。
- ▶ **保持切削刀具鋒利和清潔。**保養良好的有鋒利切削刃的刀具不易卡住而且容易控制。
- ▶ **按照使用說明書，考慮作業條件和進行的作業來使用電動工具、配件和工具的刀頭等。**將電動工

具用於那些與其用途不符的操作可能會導致危險。

- ▶ **把手及握持區應保持乾燥、潔淨，且不得沾染任何油液或油脂。**易滑脫的把手及握持區將無法讓您在發生意外狀況時安全地抓緊並控制工具。

檢修

- ▶ **將您的電動工具送交專業維修人員，必須使用同樣的備件進行更換。**這樣將確保所維修的電動工具的安全性。

角度切斷機的安全警告

- ▶ **角度切斷機主要用於切割木材或質地相似之產品，無法搭配切割砂輪用於切割金屬類材料，如鋼筋、金屬桿、螺柱等。**砂磨粉塵會使運動元件（例如下擋板）卡住。砂輪切割產生的火花會燒到下擋板、墊片與其他塑料零件。
- ▶ **請盡量利用夾具固定加工件。若用手握持加工件，手與鋸片兩側應保持至少100 mm的距離。請勿用此鋸片切割過小而無法固定或需用手握持的工件。**若您的手太靠近鋸片，會增加因接觸鋸片而受傷的風險。
- ▶ **加工件需保持固定，並使用圍欄與工作台進行固定。請勿將加工件朝鋸片方向送入或「徒手」進行切割。**未固定或移動的加工件可能高速拋出而造成人員受傷。
- ▶ **請推動鋸片通過加工件。切勿拉動鋸片通過加工件。切割時，請將鋸頭升高並拉出而不要與加工件接觸，接著將鋸頭下壓再推動鋸片通過加工件。**以拉動方式進行切割會造成鋸片移至加工件上，而使鋸片組件突然射向操作員。
- ▶ **請勿將手穿過鋸片切割路線的上方。**以「雙手交叉」的方式握持加工件，例如以左手將加工件握在鋸片右側（反之亦然），是非常危險的。
- ▶ **當鋸片仍在轉動時，不論是為了取下剩餘的木材或任何原因，請勿將雙手伸過圍欄靠近鋸片至100 mm以內。**您的手可能因不慎靠近轉動的鋸片而造成嚴重的傷害。
- ▶ **在切割前請先檢視您的加工件。若加工件呈現弓形或有彎曲，在固定時請將彎曲面的凸線朝向圍欄。請隨時讓加工件、圍欄與工作台在切割線上保持切齊。**變形或彎曲的加工件可能會扭曲或偏移而在切割時卡到轉動的鋸片。在加工件中不可有釘子等外物。

- ▶ 在使用鋸片前請先將工作台上的工具、木屑等淨空，僅留下加工件。小型碎屑、鬆脫的木材或其他物件如接觸到轉動之鋸片可能會高速射出。
- ▶ 一次只切割一片加工件。將多個加工件疊起來不易固定或支撐，故可能會在切割時卡住鋸片或偏移。
- ▶ 使用前請確實將角度切斷機安裝或放置在水平、堅固的工作面上。水平且堅固的工作面可降低使角度切斷機不穩定的風險。
- ▶ 作業前請先做規劃。每次變動傾斜或斜角的設定時，請記得調整圍欄使其能正確支撐加工件且不會影響到防護系統。當機具未「開啟」且工作台上無加工件的情況下，先模擬移動鋸片以確認其不會受到任何影響或有切割到圍欄的風險。
- ▶ 遇到較工作台更長或更寬的加工件時，請用工作台延伸裝置、鋸木架等協助固定。若未確實固定超出角度切斷機的加工件，則加工件可能會翻倒。若切斷的物品或加工件翻倒，可能會使下擋板翹起或物品被轉動的鋸片射出。
- ▶ 請勿讓其他人員擔任工作台延伸裝置或額外支撐物的角色。未固定加工件在切割時會造成刀片卡住或使加工件移動而使您與助手偏向鋸片。
- ▶ 切除的物件不可卡住或靠近轉動的鋸片。若加以限制（如使用長度擋片），切除的物件可能會接觸到鋸片而突然射出。
- ▶ 請隨時利用固定裝置或夾具將圓形材料如桿子、管子等妥善固定。桿子在切割時容易滾動，使鋸片卡住而將加工件連同您的手一起「捲入」鋸片中。
- ▶ 在讓鋸片接觸加工件時，請先讓刀片達到全速運轉的狀態。如此可降低加工件射出的風險。
- ▶ 若加工件或鋸片卡住，請將角度切斷機關閉。請等候移動零件停止再將插頭從電源拔掉及 / 或取下電池組。接著再設法清除卡住的材料。在加工件卡住的狀態下繼續鋸切會造成失控或角度切斷機損壞。
- ▶ 在切割完畢後，請鬆開開關、保持鋸頭朝下等候鋸片停止，然後再取下切開的加工件。用手靠近急轉的鋸片非常危險。
- ▶ 當切割不完整或在鋸頭未完全處於下方位置時鬆開開關，請握緊握把。鋸片的煞車動作會造成鋸頭突然下拉而有受傷的風險。
- ▶ 作業區請保持整潔。複合材質是極具危險性的材質。輕質合金粉塵可能會起火或爆炸。
- ▶ 不可以使用已經變鈍、有裂痕、彎曲或損壞的鋸片。鋸片如果已經變鈍了，或者鋸齒變形了，會

因為鋸縫過小而提高鋸割時的磨擦，鋸片容易被夾住並造成反彈。

- ▶ 不可以使用高合金快速鋼 (HSS) 製造的鋸片。此類鋸片容易折斷。
- ▶ 請務必使用具備正確尺寸和心軸形狀 (鑽石或圓形) 的鋸片。不符合鋸片安裝硬體的刀片在運轉時將會偏離中心，進而導致失控。
- ▶ 如果電動工具仍在運轉，不可以試著清除切割範圍內的鋸屑、木屑等。先收回機臂然後再關閉電動工具。
- ▶ 加工後如果鋸片尚未冷卻，切勿觸摸鋸片。工作時鋸片會變得非常灼熱。

符號

以下符號可以幫助您正確地使用本電動工具。請牢記各符號和它們的代表意義。正確了解各符號代表的意思，可以幫助您更有把握更安全地操作本電動工具。

符號和它們的代表意義



當電動工具運轉時，切勿把手放在鋸切範圍內。手如果觸碰鋸片有被割傷的危險。



請佩戴防塵面罩。



請佩戴護目鏡。



請佩戴耳罩。工作噪音會損壞聽力。



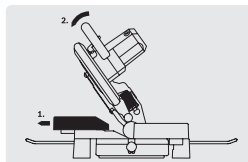
危險範圍！手掌、手臂和手指頭必須儘可能遠離此範圍。



請留心鋸片的尺寸。鋸片上的內孔直徑必須和工具主軸完全吻合，不能有空隙。如果必須使用異徑管，則應注意：異徑管尺寸必須與鋸片主體厚度、鋸片內孔直徑以及工具

符號和它們的代表意義

主軸直徑相配。請儘可能使用鋸片隨附的異徑管。
鋸片直徑必須與符號上的數值相符。



切割垂直斜鋸角時必須將可調式止動滑軌往外拉或整個拆除。

產品和功率描述

請詳讀所有安全注意事項和指示。如未遵守安全注意事項與指示，可能導致火災、人員遭受電擊及 / 或重傷。
請留意操作說明書中最前面的圖示。

依規定使用機器

本電動工具適合以站立的方式進行縱向和橫向的直線鋸割。此時，可加工的水平斜鋸角為 -47° 至 $+52^{\circ}$ ，可加工的垂直斜鋸角為 0° 至 45° 。

本電動工具的功率適合鋸割硬木和軟木、木屑夾板 and 纖維板以及鋁片和塑料板。

插圖上的機件

機件的編號和電動工具詳解圖上的編號一致。

- | | | | |
|------|-----------------|------|----------------------------|
| (1) | 防護罩 | (16) | 延伸架安裝孔 |
| (2) | 鬆開機臂的扳片 | (17) | 可調式止動滑軌 |
| (3) | 把手 | (18) | 活動夾鉗 |
| (4) | 起停開關 | (19) | 集塵袋 |
| (5) | 活動防護罩 | (20) | 導屑器 |
| (6) | 止動滑軌 | (21) | 蝶翼螺栓，用來固定可調式止動滑軌 |
| (7) | 鋸台 | (22) | 內六角扳手 (6 mm) / 十字螺絲起子 |
| (8) | 活動夾鉗安裝孔 | (23) | 45° 斜鋸角的止動螺栓 (垂直) |
| (9) | 嵌補板 | (24) | 防傾架 |
| (10) | 偏好斜鋸角的鎖定旋鈕 (水平) | (25) | 出屑口 |
| (11) | 斜鋸角設定扳片 (水平) | (26) | 偏好斜鋸角的緊固握把 (垂直) |
| (12) | 斜鋸角的角度指示器 (水平) | (27) | 搬運固定裝置 |
| (13) | 斜鋸角刻度尺 (水平) | (28) | 搬運把手 |
| (14) | 安裝孔 | (29) | 主軸鎖 |
| (15) | 把手凹槽 | (30) | 限深擋塊的校正螺栓 |
| | | (31) | 斜鋸角的角度指示器 (垂直) |
| | | (32) | 斜鋸角刻度尺 (垂直) |
| | | (33) | 0° 斜鋸角的止動螺栓 (垂直) |
| | | (34) | 防傾架安裝孔 |
| | | (35) | 「防傾架」固定套件 |
| | | (36) | 延伸架 |
| | | (37) | 延伸架的固定螺栓 |
| | | (38) | 十字螺栓 (活動防護罩的固定螺絲) |
| | | (39) | 固定鋸片的內六角螺栓 |
| | | (40) | 緊固法蘭 |
| | | (41) | 鋸片 |
| | | (42) | 內側緊固法蘭 |
| | | (43) | 蝶翼螺栓，可將螺桿調整至適當高度 |
| | | (44) | 螺桿 |
| | | (45) | 基本斜鋸角的刻槽 (水平) |
| | | (46) | 嵌補板的固定螺栓 |
| | | (47) | 止動滑軌的內六角螺栓 |
| | | (48) | 角度指示器的固定螺栓 (垂直) |

技術性數據

多角度裁斷圓鋸機		GCM 10 MX
產品機號		3 601 M29 0..
額定輸入功率	W	1700
無負載轉速	次 / 分	4800
重量符合 EPTA-Procedure 01:2014	kg	16.8
絕緣等級		□/
容許的工件尺寸 (最大 / 最小) : (參見「容許的工件尺寸」, 頁 37)		
本說明書提供的參數是以 230 伏特為依據, 於低電壓地區, 此數據有可能不同。		
適用鋸片的尺寸		
鋸片直徑	mm	254
鋸片主體的厚度	mm	1.8-2.8
接孔直徑	mm	25.4

噪音說明

噪音強度是依照 EN 62841-3-9 之規定而測得的數值。

電動工具的噪音量評為 A 級, 其標準值為: 音壓強度 92 dB(A); 聲功率級 105 dB(A)。不確定係數 $K = 3$ dB。

請佩戴耳罩!

本說明書中所載述的噪音強度數值皆是按照標準測量程序測得, 可與其他電動工具的規格直接進行比較。此數值亦適合用於初步評估噪音強度。

列示的噪音強度數值代表電動工具的主要用途。電動工具若是用於其他用途、使用非指定嵌件工具、或維護不當, 皆可能造成噪音強度數值有所偏差, 而使整個工作期間的噪音強度提高。

為能正確估算噪音強度, 您應將工具開機或空轉的時間一併納入考量。這麼做可使整個工作期間的噪音強度降低。

安裝

- ▶ 請避免意外啟動電動工具。安裝時以及進行電動工具的維護修理工作時, 機器的插頭都不可以插在插座中。

供貨範圍



對此, 請您留意操作說明書開頭處的供貨範圍說明。

初次使用本電動工具之前, 先檢查以下各部件是否包含在供貨範圍中:

- 已安裝鋸片的多角度裁斷圓鋸機
- 集塵袋 (19)

- 活動夾鉗 (18)
- 內六角扳手 / 十字螺絲起子 (22)
- 防傾架 (24) 及其固定套件 (35) (2 顆螺栓、2 個墊片、2 顆四角螺母)

提示: 檢查電動工具是否有壞損之處。

使用電動工具之前, 必須仔細檢查防護裝置或輕微損壞的零件是否仍然運作正常。檢查活動零件是否功能正常、沒有被卡死, 以及是否有任何零件有否受損。所有零件都必須安裝正確, 並且符合規定以確保機器能夠正常運作。

損壞的防護裝置和零件必須按照規定交給合格的專業修理廠修理或更換。

組合各部件

- 小心地從包裝中取出所有隨附零件。
- 拆除電動工具和隨附配件上的所有包裝材料。

安裝防傾架 (請參考圖 A)

初次使用本電動工具之前, 必須先安裝防傾架 (24)。

為進行安裝, 請使用「防傾架」固定套件 (35)。

- 將四角螺母 (35) 嵌入底板上專門為其設置的開孔 (34)。
- 將墊片 (35) 放置到固定螺栓 (35) 上, 並讓防傾架 (24) 隨之旋入已放置妥當的螺母內。

▶ **絕不可拆除防傾架。** 少了防傾架的電動工具無法站穩, 特別是在鋸割最大彎角時機器容易翻覆。

安裝延伸架 (請參考圖 B)

如果工件又長又重, 必須在它懸空的末端底下墊上襯墊或做好支撐。

您可以在電動工具的左側或右側安裝延伸架。如此有加寬鋸台的效果。

- 將延伸架 (36) 從電動工具兩側往其專用開孔 (16) 推入到底。
- 鎖緊固定螺栓 (37) 以便固定延伸架。

固定安裝方式或活動安裝方式

- ▶ 為了能夠穩定地操作機器, 正式使用機器之前, 必須把電動工具固定在平坦、穩固的工作平面上 (例如工作桌)。

安裝在工作平面上 (請參考圖 C1-C2)

- 使用合適的夾鉗把電動工具固定在工作平面上。必須利用安裝孔 (14) 來進行固定。

或

- 也可以使用一般市售活動夾鉗, 夾住電動工具的支撐腳以便將它固定在工作平面上。

安裝在博世工作桌上

博世的 GTA 工作桌擁有可調整高度的桌腳，使電動工具能夠穩固站立在任何底座上。工作桌的工件托架可以支撐較長工件。

- ▶ **請詳讀工作桌附帶的所有警告指示和說明。**若未遵循警告指示和說明可能遭受電擊、發生火災並 / 或造成嚴重傷害。
- ▶ **安裝電動工具之前必須先正確地組裝工作桌。**重點是要正確地組裝工作桌，如此可以避免工作桌倒塌。
- 把電動工具調整至搬運位置並將其安裝在工作桌上。

吸除廢塵 / 料屑

含鉛顏料、部分木材種類、礦石和金屬的加工廢塵有害健康。機器操作者或施工現場附近的人員如果接觸、吸入這些廢塵，可能會引發過敏反應或感染呼吸道疾病。

某些塵埃（例如加工橡木或山毛櫸的廢塵）可能致癌，特別是與處理木材的添加劑（例如木材的防腐劑等）結合之後。唯有受過專業訓練的人才能夠進行含石棉物料的加工。

- 儘可能使用適合物料的吸塵裝置。
 - 工作場所要保持空氣流通。
 - 建議佩戴 P2 過濾等級的口罩。
- 請留意並遵守貴國的物料加工相關法規。

- ▶ **避免讓工作場所堆積過多的塵垢。**塵埃容易被點燃。

廢塵 / 料屑吸集裝置可能被廢塵、廢屑或工件殘屑堵塞。

- 關閉電動工具，並且從插座中拔出插頭。
- 請您稍候，讓鋸片完全停止轉動。
- 找出造成堵塞的原因，並排除障礙。

機器本身的吸塵裝備（請參考圖 D）

為了方便收集料屑，請使用隨附的集塵袋（19）。

- 將集塵袋（19）套在出屑口（25）上。

鋸切時，集塵袋千萬不可以接觸轉動中的機具零件。

適時倒空集塵袋中的廢塵。

- ▶ **每次操作完畢後，都要檢查並且清潔集塵袋。**
- ▶ **為了避免造成火災，鋸切鋁片時要拆除集塵袋。**

外接其他吸塵裝置

若要吸塵，您也可在出屑口（25）接上吸塵器軟管（直徑 35 mm）。

- 將吸塵器軟管連接至出屑口（25）。

根據工件材質選擇合適的吸塵器。

吸集可能危害健康、可能致癌或乾燥的廢塵時，務必使用特殊吸塵器。

更換鋸片（請參考圖 E1-E3）

- ▶ **維修電動工具或換裝零、配件之前，務必從插座上拔出插頭。**

- ▶ **安裝鋸片時務必穿戴防護手套。**碰觸到鋸片可能被割傷。

所使用的鋸片其最高容許轉速必須高於電動工具的無負載轉速。

根據本說明書中提出的特性參數選擇合適的鋸片。必須選用通過 EN 847-1 認證並具有認證標示的鋸片。

只能使用本電動工具製造商所推薦的鋸片，以及加工物料適用的鋸片。唯有這樣做才能避免鋸切時發生鋸齒過熱的情形。

拆卸鋸片

- 把電動工具調整至工作位置。
- 按壓扳片（2）並將活動防護罩（5）往後翻轉到底。讓活動防護罩保持在這個位置。
- 用隨附的十字螺絲起子（22）將螺栓（38）鬆開至活動防護罩仍確實固定於其上並同時可往後翻轉到底的程度。
- 用隨附的內六角扳手（22）旋轉內六角螺栓（39）並同時按壓主軸鎖（29），讓它卡緊。
- 按壓主軸鎖（29）不要放開，並沿順時針方向將螺栓（39）旋出（左旋螺紋！）。
- 取下緊固法蘭（40）。
- 取出鋸片（41）。

安裝鋸片

必要時，請在安裝前清潔所有零部件。

- 將新鋸片裝到內側緊固法蘭（42）。

- ▶ **安裝時請注意，鋸齒的鋸切方向（即鋸片上的箭頭指示方向）必須與防護罩上的箭頭指示方向一致！**

- 將固定法蘭（40）和螺栓（39）裝上去。按壓主軸鎖（29），直到其卡緊，接著逆時針旋緊螺栓。
- 將活動防護罩（5）往前下方按壓，讓螺栓（38）卡進對應的開口內。此時可能必須握著機臂上的把手，以克服活動防護罩的預緊力。
- 將活動防護罩（5）重新固定妥當（旋緊螺栓（38））。
- 按壓扳片（2）並再次將活動防護罩往下放下。
- ▶ **裝上緊固法蘭時請注意：較寬的那一側應朝向鋸片。**若是裝反，鋸片將無法旋緊。

操作

- ▶ **維修電動工具或換裝零、配件之前，務必從插座上拔出插頭。**

搬運固定裝置 (請參考圖 F)

搬運固定裝置 (27) 可讓您輕鬆將電動工具搬運至不同工作地點。

解開電動工具的鎖定 (工作位置)

- 從把手 (3) 處將機臂略微往下推，即可解開搬運固定裝置 (27)。
- 將搬運固定裝置 (27) 拉至最外側。
- 將機臂慢慢往上提起。

提示：作業時請注意：請勿將搬運固定裝置往內頂，否則機臂將無法翻旋至所需深度位置。

鎖定電動工具 (搬運位置)

- 將限深擋塊 往內翻轉，使您能夠從把手 (3) 處將機臂完全翻旋至最下方。
- 按壓扳片 (2) 並同時從把手 (3) 處將機臂往下翻轉至搬運固定裝置 (27) 能夠往內壓至最裡面的程度。

此時機臂已經被鎖定，您可以搬運機器了。

正式運作前的準備工作

移動止動滑軌 (請參考圖 G)

鋸切垂直斜鋸角時，必須將可調式止動滑軌 (17) 移位。

- 鬆開蝶翼螺栓 (21)。
- 將可調式止動滑軌 (17) 拉至最外側。
- 重新鎖緊蝶翼螺栓 (21)。

鋸切好垂直斜鋸角之後，請將可調式止動滑軌 (17) 重新推回原來的位罝 (鬆開蝶翼螺栓 (21)；將止動滑軌 (17) 往內推至最裡面；重新旋緊蝶翼螺栓)。

固定工件 (請參考圖 H)

為了確保工作安全，請務必固定好工件。不可以加工太小而無法固定的工件。

- 將工件往止動滑軌 (6) 和 (17) 壓緊固定。
- 將隨附的活動夾鉗 (18) 插進任一專為其設置的孔洞 (8)。
- 鬆開蝶翼螺栓 (43) 並配合工件調整活動夾鉗。重新鎖緊蝶翼螺栓。
- 將螺桿 (44) 牢牢旋緊，以便固定工件。

放鬆工件

- 請逆時針旋轉螺桿 (44) 即可鬆開活動夾鉗。

設定水平與垂直斜鋸角

- ▶ **維修電動工具或換裝零、配件之前，務必從插座上拔出插頭。**

為確保精準鋸切，頻繁使用之後必須檢查電動工具的基本設定，必要時須適度調整。

檢查時不但要具備足夠的經驗，而且得使用特殊工具。

博世客戶服務中心能夠既快速又可靠地執行這項工作。

- ▶ **鋸切之前務必旋緊鎖定旋鈕 (10)。** 否則鋸片可能在工件中傾斜。

設定水平斜鋸角 (請參考圖 I)

水平斜鋸角的調整範圍在 47° (左側) 至 52° (右側) 之間。

- 鎖定旋鈕 (10) 若已鎖上，請將它鬆開。
- 按壓扳片 (11)，從鎖定旋鈕旁的位置將鋸台 (7) 向左或向右轉動，並在角度指示器 (12) 的幫助之下，設定至所需水平斜鋸角。
- 將鎖定旋鈕 (10) 重新鎖緊。

鋸台上設有刻槽 (45)，**讓您能夠快速而精準地調整至經常使用的水平斜鋸角：**

左	0°	右
45°; 30°; 22.5°; 15°	15°; 22.5°; 30°; 45°	

- 鎖定旋鈕 (10) 若已鎖上，請將它鬆開。
- 按壓扳片 (11) 然後將鋸台 (7) 往左或往右旋轉至所需刻槽。
- 再度放開扳片。扳片必須正確地卡入刻槽中。
- 將鎖定旋鈕 (10) 重新鎖緊。

設定垂直斜鋸角 (請參考圖 J)

垂直斜鋸角的調整範圍在 0° 至 45° 之間。

- 鬆開緊固握把 (26)。
- 從把手 (3) 處翻轉機臂，直到角度指示器 (31) 指在所需垂直斜鋸角上。
- 讓機臂保持在於這個位置上，然後將緊固握把 (26) 重新旋緊。

為能快速及準確地調整至標準角度 0° 和 45°，出貨時已裝上調好的止動螺絲 ((33) 和 (23))。

- 鬆開緊固握把 (26)。
- 請從把手 (3) 處，將機臂往右翻轉到底 (即為 0°) 或往左翻轉到底 (即為 45°)。
- 將緊固握把 (26) 重新旋緊。

操作機器

- ▶ **請注意電源電壓！** 電源的電壓必須和電動工具銘牌上標示的電壓一致。標示為 230 V 的電動工具亦可接上 220 V 電源。

啟動 (請參考圖 K)

- 按壓起停開關 (4) 不要放開，即可讓機器運轉。

提示：基於安全考量，無法鎖定起停開關 (4) 的位置，所以操作機器時必須持續按住此開關。

必須按壓扳片 (2)，機臂才能往下拉。

- 因此在鋸切時，除了起停開關 (4) 之外，還必須按壓扳片 (2)。

關閉

- 若要關閉，鬆開起停開關 (4) 即可。

作業注意事項

一般性的鋸切指示

- ▶ **鋸切之前務必旋緊鎖定旋鈕 (10) 和緊固握把 (26)。** 否則鋸片可能在工件中傾斜。
- ▶ **進行任何鋸切之前，必須先確定鋸片不會接觸止動滑軌、活動夾鉗或其它的機件。必要時得拆除輔助擋塊，或者適度調整輔助擋塊。**

保護鋸片，以免受遭衝擊和碰撞。不可以側壓鋸片。

不可以加工已被拉扯移位的工件。工件必須有一道筆直的邊，這樣才能夠貼靠在止動滑軌上。

如果工件又長又重，必須在它懸空的末端底下墊上襯墊或做好支撐。

檢查活動防護罩的功能是否正常，移動防護罩時會不會發生磨擦。將機臂往下移時，活動防護罩必須開啟。將機臂往上移時，活動防護罩必須閉合，蓋在鋸片上，並固定在機臂的最上方位置。

只能鋸切符合規定的材料。

操作者的位置 (請參考圖 L)

- ▶ **不可以站在電動工具前而與鋸片呈一直線，所站位置應要保持在鋸片的側面。** 這樣可以保護身體避免受到反彈力道衝擊。
- 手掌、手指和手臂必須遠離轉動中的鋸片。
- 雙手不得橫放在機臂前方。

容許的工件尺寸

最大工件：

水平斜鋸 角	垂直斜鋸 角	高度 x 寬度 [mm]	
		最高時	最寬時
0°	0°	89 x 89	62 x 130
45°	0°	86 x 67	65 x 91

水平斜鋸 角	垂直斜鋸 角	高度 x 寬度 [mm]	
		最高時	最寬時
0°	45°	44 x 95	32 x 130
45°	45°	44 x 67	32 x 91

最小工件 (= 可用隨附之快速夾鉗 夾緊在鋸片左側或右側的任何工件)：110 x 130 mm (長 x 寬)

最大鋸切深度 (0° / 0°)：89 mm

汰換嵌補板 (請參考圖 M)

本電動工具經長時間使用後，其嵌補板 (9) 可能會有磨損情形。

更換損壞的嵌補板。

- 把電動工具調整至工作位置。
- 請用隨附的十字螺絲起子 (22) 將螺栓 (46) 旋出，然後取下舊嵌補板。
- 使用螺栓 (46) 將嵌補板儘可能將往右鎖緊，即使有任何切割動作，鋸片全長都不會與嵌補板有任何接觸。

鋸切 (裁斷)

- 根據尺寸固定好工件。
- 設定好所需的水平和 / 或垂直斜鋸角。
- 請調整校正螺栓 (30) 的高度，使您能夠將工件完全鋸開。
- 啟動電動工具。
- 按壓扳片 (2) 並利用把手 (3) 緩慢地將機臂往下拉。
- 鋸切工件時必須施力均勻。
- 關閉電動工具並等待鋸片完全停止轉動。
- 將機臂慢慢往上提起。

調整限深擋塊 (鋸切凹槽) (請參考圖 N)

您若想要鋸切凹槽，則須順時針旋轉限深擋塊的校正螺栓 (30)。

- 請從把手 (3) 處，將機臂翻轉至凹槽所及的深度位置。
- 順時針旋緊校正螺栓 (30)，直到螺栓末端觸及機殼擋塊。
- 將機臂慢慢往上提起。

特殊工件

鋸切彎曲或圓形工件時必須特別小心，千萬要固定好工件，不可以讓工件滑動。在鋸線上，工件、止動滑軌與鋸台三者必須緊靠在一起，之間不可以存在任何空隙。

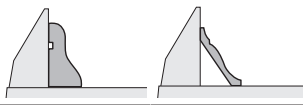
如有必要，必須製作特殊固定裝置。

加工側邊條

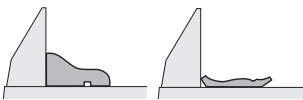
可以使用以下兩種不同的方式加工側邊條：

工件的放置方式 踢腳板 天花板飾條

- 靠在止動滑軌上



- 平放在鋸台上



一律要先在廢木上測試調整好的斜鋸角（水平和 / 或垂直）。

檢查和調整基本設定

為確保精準鋸切，頻繁使用之後必須檢查電動工具的基本設定，必要時須適度調整。

檢查時不但要具備足夠的經驗，而且得使用特殊工具。

博世客戶服務中心能夠既快速又可靠地執行這項工作。

校準止動滑軌

- 把電動工具調整至搬運位置。
- 將鋸台 (7) 轉至 0° 刻槽 (45)。必須可感覺到扳片 (11) 卡入刻槽。
- 將可調式止動滑軌 (17) 拉至最外側。

檢查 (請參考圖 O1)

- 請將量角規設為 90°，然後將它放置到止動滑軌 (6) 與鋸片之間的鋸台 (7) 上，並且與鋸片 (41) 齊平。

角規的一邊必須全長緊緊地貼靠著止擋滑軌。

調整 (請參考圖 O2)

- 用隨附的內六角扳手 (22) 鬆開所有內六角螺栓 (47)。
- 轉動止動滑軌 (6)，使量角規全長齊平。
- 再度旋緊螺栓。

設定垂直方向的 0° 基本斜鋸角

- 把電動工具調整在搬運位置上。
- 將鋸台 (7) 轉至 0° 刻槽 (45)。必須可感覺到撥桿 (11) 卡入刻槽。

檢查 (請參考圖 P1)

- 請將量角規設為 90°，然後將它放置到鋸台 (7) 上。

量角規的柄部必須全長與鋸片 (41) 齊平。

調整 (請參考圖 P2)

- 鬆開緊握把 (26)。
- 用一般市售環形扳手或開口扳手 (13 mm)，鬆開止動螺栓 (33) 的鎖緊螺母。
- 轉入或轉出止動螺栓，使量角規的柄部全長與鋸片齊平。

- 將緊握把 (26) 重新旋緊。
- 然後將止動螺栓 (33) 的鎖緊螺母重新旋緊。

調整後，若角度指示器 (31) 未與刻度尺 (32) 的 0° 記號呈一直線，請用一般市售十字螺絲起子鬆開螺栓 (48)，將角度指示器對準 0° 記號。(請參考圖 R)

設定垂直方向的基本斜鋸角 45°

- 把電動工具調整至工作位置。
- 將鋸台 (7) 轉至 0° 刻槽 (45)。必須可感覺到撥桿 (11) 卡入刻槽。
- 鬆開緊握把 (26) 並從把手 (3) 處將滑動臂往左翻轉到底 (45°)。

檢查 (請參考圖 Q1)

- 請將量角規設為 45°，然後將它放置到鋸台 (7) 上。

量角規的柄部必須全長與鋸片 (41) 齊平。

調整 (請參考圖 Q2)

- 用一般市售環形扳手或開口扳手 (13 mm)，鬆開止動螺栓 (23) 的鎖緊螺母。
- 轉入或轉出止動螺栓，使量角規的柄部全長與鋸片齊平。
- 將緊握把 (26) 重新旋緊。
- 然後將止動螺栓 (23) 的鎖緊螺母重新旋緊。

調整後，若角度指示器 (31) 未與刻度尺 (32) 的 45° 記號呈一直線，請先再檢查一次垂直斜鋸角和角度指示器的 0° 設定。然後再重新調整一次垂直 45° 斜鋸角。

搬運 (請參考圖 S)

搬運電動工具之前必須先執行以下步驟：

- 把電動工具調整至搬運位置。
- 拆除所有無法被固定在電動工具上的配件。搬運時必須儘可能把不使用的鋸片放置在密閉盒子中。
- 從搬運把手 (28) 處提起電動工具或者請您抓握鋸台側邊的把手凹槽 (15)。

▶ 搬動電動工具時只能使用搬運裝置。不可以利用防護裝置來搬運電動工具。

維修和服務**保養與清潔**

- ▶ 維修電動工具或換裝零、配件之前，務必從插座上拔出插頭。
- ▶ 電動工具和通風口都必須保持清潔，這樣才能夠提高工作品質和安全性。

如果必須更換連接線，請務必交由 **Bosch** 或者經授權的 **Bosch** 電動工具顧客服務執行，以避免危害機器的安全性能。

活動防護罩必須能夠自由來回擺動，並且要能夠自動關閉，所以防護罩的四周必須隨時保持清潔。

每次工作結束後都要使用壓縮空氣或軟刷清除機器上的灰塵和鋸屑。

配件

產品機號

3 601 M29 040, 3 601 M29 0B0: 延伸架	1619 PA6 916
---	--------------

適用於硬木、複合材料、塑膠及非鐵金屬的鋸片

鋸片 254 x 25.4 mm, 100 個 鋸齒	1609 B00 844
-------------------------------	--------------

適用於木材與木板、嵌板和木條的鋸片

鋸片 254 x 25.4 mm, 40 個鋸 齒	2608 673 047
鋸片 254 x 25.4 mm, 100 個 鋸齒	2608 640 904

顧客服務處和顧客諮詢中心

本公司顧客服務處負責回答有關本公司產品的維修、維護和備用零件的問題。以下的網頁中有分解圖和備用零件相關資料：www.bosch-pt.com

如果對本公司產品及其配件有任何疑問，博世應用諮詢小組很樂意為您提供協助。

當您需要諮詢或訂購備用零件時，請務必提供本產品型號銘牌上 10 位數的產品機號。

台灣

台灣羅伯特博世股份有限公司
建國北路一段90號6樓
台北市10491
電話: (02) 2515 5388
傳真: (02) 2516 1176
www.bosch-pt.com.tw

製造商地址:

Robert Bosch Power Tools GmbH
羅伯特·博世電動工具有限公司
70538 Stuttgart / GERMANY
70538 斯圖加特/德國

廢棄物處理

必須以符合環保的方式，回收再利用損壞的機器、配件和廢棄的包裝材料。



不可以把電動工具丟入一般的家庭垃圾中。

한국어

안전 수칙

전동공구 일반 안전 수칙

⚠ 경고 본 전동공구와 함께 제공된 모든 안전경고, 지시사항, 그림 및 사양을 숙지하십시오. 다음의 지시 사항을 준수하지 않으면 감전, 화재, 또는 심각한 부상을 초래할 수 있습니다.

앞으로 참고할 수 있도록 이 안전수칙과 사용 설명서를 잘 보관하십시오.

다음에서 사용되는 "전동공구"라는 개념은 전원에 연결하여 사용하는 (전선이 있는) 전동 기기나 배터리를 사용하는 (전선이 없는) 전동 기기를 의미합니다.

작업장 안전

- ▶ **작업장을 항상 깨끗이 하고 조명을 밝게 하십시오.** 작업장 환경이 어수선하거나 어두우면 사고를 초래할 수 있습니다.
- ▶ **가연성 유체, 가스 또는 분진이 있어 폭발 위험이 있는 환경에서 전동공구를 사용하지 마십시오.** 전동공구는 분진이나 증기에 점화하는 스파크를 일으킬 수 있습니다.
- ▶ **전동공구를 사용할 때 구경꾼이나 어린이 혹은 다른 사람이 작업장에 접근하지 못하게 하십시오.** 다른 사람이 주의를 산만하게 하면 기기에 대한 통제력을 잃기 쉽습니다.

전기에 관한 안전

- ▶ **전동공구의 전원 플러그가 전원 콘센트에 잘 맞아야 합니다.** 플러그를 절대 변경시켜서는 안 됩니다. (접지된) 전동공구를 사용할 때 어댑터 플러그를 사용하지 마십시오. 변형되지 않은 플러그와 잘 맞는 콘센트를 사용하면 감전의 위험을 줄일 수 있습니다.
- ▶ **파이프 관, 라디에이터, 레인지, 냉장고와 같은 접지 표면에 몸이 닿지 않도록 하십시오.** 몸에 닿을 경우 감전될 위험이 높습니다.
- ▶ **전동공구를 비에 맞지 않게 하고 습기 있는 곳에 두지 마십시오.** 전동공구에 물이 들어가면 감전될 위험이 높습니다.
- ▶ **전원 코드를 잘못 사용하는 일이 없도록 하십시오.** 전원 코드를 잡고 전동공구를 운반해서는 안 되며, 콘센트에서 전원 플러그를 뽑을 때 전원 코드를 잡아 당겨서는 절대로 안 됩니다. 전원 코드가 열과 오일에 접촉하는 것을 피하고, 날카로운

모서리나 기기의 가동 부위에 닿지 않도록 주의하십시오. 손상되거나 영킨 전원 코드는 감전을 유발할 수 있습니다.

- ▶ 실외에서 전동공구로 작업할 때는 실외용으로 적당한 연장 전원 코드만을 사용하십시오. 실외용 연장 전원 코드를 사용하면 감전의 위험을 줄일 수 있습니다.
- ▶ 전동공구를 습기 찬 곳에서 사용해야 할 경우에는 누전 차단기를 사용하십시오. 누전 차단기를 사용하면 감전 위험을 줄일 수 있습니다.

사용자 안전

- ▶ 신중하게 작업하며, 전동공구를 사용할 때 경솔하게 행동하지 마십시오. 피로한 상태이거나 약물 복용 및 음주한 후에는 전동공구를 사용하지 마십시오. 전동공구를 사용할 때 잠시라도 주의가 산만해지면 중상을 입을 수 있습니다.
- ▶ 작업자 안전을 위한 장치를 사용하십시오. 항상 보안경을 착용하십시오. 전동공구의 종류와 사용에 따라 먼지 보호 마스크, 미끄러지지 않는 안전화, 안전모 또는 귀마개 등의 안전한 복장을 하면 상해의 위험을 줄일 수 있습니다.
- ▶ 실수로 기기가 작동되지 않도록 주의하십시오. 전동공구를 전원에 연결하거나 배터리를 끼우기 전에, 혹은 기기를 들거나 운반하기 전에, 전원 스위치가 꺼져 있는지 다시 확인하십시오. 전동공구를 운반할 때 전원 스위치가 손가락을 대거나 전원 스위치가 켜진 상태에서 전원을 연결하면 사고 위험이 높습니다.
- ▶ 전동공구를 사용하기 전에 조절하는 톨이나 키 등을 빼 놓으십시오. 회전하는 부위에 있는 톨이나 키로 인해 상처를 입을 수 있습니다.
- ▶ 자신을 과신하지 마십시오. 불안정한 자세를 피하고 항상 평형을 이룬 상태로 작업하십시오. 안정된 자세와 평형한 상태로 작업해야만이 의외의 상황에서 전동공구를 안전하게 사용할 수 있습니다.
- ▶ 알맞은 작업복을 입으십시오. 헐렁한 복장을 하거나 장신구를 착용하지 마십시오. 머리카락이 가동하는 기기 부위에 가까이 닿지 않도록 주의하십시오. 헐렁한 복장, 장신구 혹은 긴 머리카락은 가동 부위에 말려 사고를 초래할 수 있습니다.
- ▶ 분진 추출장치나 수거장치의 조립이 가능한 경우, 이 장치가 연결되어 있는지, 제대로 작동이 되는지 확인하십시오. 이러한 분진 추출장치를 사용하면 분진으로 인한 사고 위험을 줄일 수 있습니다.

- ▶ 톨을 자주 사용한다고 해서 안주는 일이 없게 하고 공구의 안전 수칙을 무시하지 않도록 하십시오. 부주의하게 취급하여 순간적으로 심각한 부상을 입을 수 있습니다.

전동공구의 올바른 사용과 취급

- ▶ 기기를 과부하 상태에서 사용하지 마십시오. 작업할 때 이에 적당한 전동공구를 사용하십시오. 알맞은 전동공구를 사용하면 지정된 성능 한도 내에서 더 효율적으로 안전하게 작업할 수 있습니다.
- ▶ 전원 스위치가 고장 난 전동공구를 사용하지 마십시오. 전원 스위치가 작동되지 않는 전동공구는 위험하므로, 반드시 수리를 해야 합니다.
- ▶ 전동공구를 조정하거나 액세서리 부품 교환 혹은 공구를 보관할 때, 항상 전원 콘센트에서 플러그를 미리 빼어 놓거나 배터리를 분리하십시오. 이러한 조치는 실수로 전동공구가 작동하게 되는 것을 예방합니다.
- ▶ 사용하지 않는 전동공구는 어린이 손이 닿지 않는 곳에 보관하고, 전동공구 사용에 익숙하지 않거나 이 사용 설명서를 읽지 않은 사람은 기기를 사용해서는 안됩니다. 경험이 없는 사람이 전동공구를 사용하면 위험합니다.
- ▶ 전동공구 및 액세서리를 조심스럽게 관리하십시오. 가동 부위가 하자 없이 정상적인 기능을 하는지, 걸리는 부위가 있는지, 혹은 전동공구의 기능에 중요한 부품이 손상되지 않았는지 확인하십시오. 손상된 기기의 부품은 전동공구를 다시 사용하기 전에 반드시 수리를 맡기십시오. 제대로 관리하지 않은 전동공구의 경우 많은 사고를 유발합니다.
- ▶ 절단 공구를 날카롭고 깨끗하게 관리하십시오. 날카로운 절단면이 있고 잘 관리된 절단공구는 걸리는 경우가 드물고 조절하기도 쉽습니다.
- ▶ 전동공구, 액세서리, 장착하는 공구 등을 사용할 때, 이 지시 사항과 특별히 기종 별로 나와있는 사용 방법을 준수하십시오. 이때 작업 조건과 실시하려는 작업 내용을 고려하십시오. 원래 사용 분야가 아닌 다른 작업에 전동공구를 사용할 경우 위험한 상황을 초래할 수 있습니다.
- ▶ 손잡이 및 잡는 면을 건조하게 유지하고, 오일 및 그리스가 묻어 있지 않도록 깨끗하게 하십시오. 손잡이 또는 잡는 면이 미끄러우면 예상치 못한 상황에서 안전한 취급 및 제어가 어려워집니다.

서비스

- ▶ **전동공구 수리는 반드시 전문 인력에게 맡기고, 수리 정비 시 보쉬 순정 부품만을 사용하십시오.** 그렇게 함으로써 기기의 안전성을 오래 유지할 수 있습니다.

마이터 톱에 대한 안전 경고사항

- ▶ **마이터 톱은 목재나 목재와 유사한 재품을 절단하는 데 사용하는 공구이기 때문에 바, 로드, 스테드 등 철 재질의 절단을 위한 연마 절단 휠과 함께 사용할 수 없습니다.** 연마 분진 때문에 하부 가드 등 움직이는 부분이 걸릴 수 있습니다. 연마 절단에서 발생하는 불꽃으로 하부 가드나 기타 플라스틱 부분이 탈 수 있습니다.
- ▶ **가능할 때는 언제나 클램프를 사용해 작업 재료를 지지하십시오.** 작업 재료를 손으로 지지할 때는 항상 손과 톱날 양쪽의 거리를 최소 100 mm 정도로 유지하십시오. 이 톱이 너무 작아 안정적으로 클램핑할 수 없거나 손으로 잡을 수 없는 작업 재료를 절단하는 데 사용하지 마십시오. 손이 톱날에 너무 가까우면 톱날에 닿아 부상을 당할 위험이 커집니다.
- ▶ **작업 재료는 클램프로 고정되거나 펜스와 테이블에 모두 고정되어야 합니다. “손으로” 작업 재료를 절단하거나 톱날로 이송하지 마십시오.** 통제되지 않거나 움직이는 작업 재료가 고속으로 튀어 부상을 당할 수 있습니다.
- ▶ **톱이 작업 재료를 관통하도록 미십시오. 톱이 작업 재료를 관통하도록 잡아당기지 마십시오.** 절단하려면, 톱 머리를 들어올리고 절단하지 않으면서 작업 재료 위로 톱 머리를 잡아당긴 다음 모터 시동을 걸고 톱 머리를 아래로 누르면서 작업 재료를 관통하도록 톱을 미십시오. 잡아당기는 스트로크에서 절단하면 톱날이 작업 재료 위로 올라가 톱날이 작업자 쪽으로 튀어 위험할 수 있습니다.
- ▶ **절대로 톱날 앞이나 뒤에서 절단선 위에 손을 교차시키지 마십시오.** “손을 교차시켜” 작업 재료를 지지하면 (예: 톱날의 오른쪽에서 왼손으로 작업 재료 고정 또는 그 반대) 매우 위험합니다.
- ▶ **톱날이 회전하는 동안 목재 부스러기 제거나 다른 이유로 톱날 양쪽으로부터 100 mm보다 가까운 거리에서 손을 펜스 뒤로 가져가지 마십시오.** 회전하는 톱날과 손이 가까우면 심각한 부상을 당할 수 있습니다.
- ▶ **절단하기 전에 작업 재료를 검사하십시오.** 작업 재료가 휘거나 뒤틀리면 표면에 펜스를 향해 바깥

쪽으로 휨 상태로 클램핑하십시오. 항상 절단선을 따라 작업 재료, 펜스 및 테이블 사이에 간격이 없게 하십시오. 휘거나 뒤틀린 작업 재료는 비틀리거나 변형될 수 있고 절단하는 동안 회전하는 톱날에 걸릴 수 있습니다. 작업 재료에 못이나 이물질이 없어야 합니다.

- ▶ **톱을 사용하기 전에 테이블에서 작업 재료를 제외한 모든 공구, 목재 부스러기 등을 치우십시오.** 목재나 다른 물체의 작은 부스러기나 험거운 조각이 회전하는 톱날에 닿아 고속으로 튈 수 있습니다.
- ▶ **한 번에 한 작업 재료만 절단하십시오.** 여러 작업 재료를 쌓으면 적절히 클램핑하거나 지지할 수 없어 절단 중에 톱날에 걸리거나 톱날이 움직일 수 있습니다.
- ▶ **사용 전에 마이터 톱을 단단하고 평평한 작업 표면에 놓으십시오.** 작업 표면이 단단하고 평평하면 마이터 톱이 불안정해질 위험이 감소합니다.
- ▶ **작업을 계획하십시오.** 베벨 또는 마이터 각도 세팅을 변경할 때마다 작업 재료를 지지할 수 있도록 조립식 펜스를 올바르게 세팅해야 하고 톱날이나 가이드 시스템을 방해하지 않아야 합니다. 공구를 켜지 않고 테이블에 작업 재료가 없는 상태에서 마이터 톱을 절단 시뮬레이션을 통해 움직여 펜스를 방해하거나 펜스를 절단할 위험이 없는지 확인하십시오.
- ▶ **작업 재료가 테이블 상단보다 넓거나 긴 경우 테이블 익스텐션이나 스포츠 같은 적절한 지지대를 사용하십시오.** 마이터 톱 테이블보다 길거나 넓은 작업 재료를 안전하게 고정하지 않으면 기울어질 수 있습니다. 절단된 조각이나 작업 재료가 기울 경우 하부 가드를 들어 올리거나 회전하는 톱날에 의해 튈 수 있습니다.
- ▶ **사람을 테이블 익스텐션의 대응물이나 추가 지지대로 이용하지 마십시오.** 작업 재료를 불안정하게 지지하면 절단 작업 중에 톱날이 걸리거나 작업 재료가 움직여 작업자와 조수를 회전하는 톱날로 끌어당길 수 있습니다.
- ▶ **절단된 조각이 회전하는 톱날에 걸리거나 눌릴 수 있습니다.** 길이 스토퍼 등을 사용해 제한하면 절단된 조각이 톱날에 끼어 튈 위험이 있습니다.
- ▶ **항상 로드나 튜브 같은 원형 재료를 적절히 지지하도록 고안된 클램프나 치공구를 사용하십시오.** 로드는 절단되는 동안 회전하는 경향이 있기 때문에 톱날이 “걸리고” 작업 재료와 작업자의 손이 톱날 쪽으로 당겨질 수 있습니다.

- ▶ **톱날을 작업 재료에 밀착하기 전에 톱날을 전속력으로 회전시키십시오.** 그러면 작업 재료가 튀 위험이 감소합니다.
- ▶ **작업 재료나 톱날이 걸리면 마이터 톱을 끄십시오.** 모든 움직이는 부분이 멈출 때까지 기다리고 전원 플러그를 뽑거나 배터리 팩을 제거하십시오. 그런 다음 걸린 재료를 빼내십시오. 작업 재료가 걸린 상태로 계속 작업하면 제어력을 잃거나 마이터 톱이 손상될 수 있습니다.
- ▶ **절단이 끝난 후 스위치를 끌고 톱 머리를 아래로 누른 다음 톱날이 멈출 때까지 기다린 후 절단된 조각을 제거하십시오.** 관성 정지하고 있는 톱날 가까이에 손을 대면 위험합니다.
- ▶ **절단이 끝나지 않았거나 톱 머리가 완전히 아래 위치에 있기 전에 스위치를 풀었을 경우 손잡이를 단단히 잡으십시오.** 톱의 제동력으로 톱 머리가 갑자기 아래로 당겨져 부상을 당할 수 있습니다.
- ▶ **작업장을 청결하게 유지하십시오.** 자재가 혼합되면 특히 위험합니다. 경합금 분진은 연소 또는 폭발을 일으킬 수 있습니다.
- ▶ **절대로 무디거나 금이 간 톱날 혹은 휘거나 손상된 톱날을 사용하지 마십시오.** 무디거나 방향이 잘못된 톱날을 사용하면 톱 간격이 아주 좁아져 과도한 마찰, 톱날의 물림 혹은 반동을 유발하게 됩니다.
- ▶ **고합금 고속강(HSS)으로 된 톱날은 사용하지 마십시오.** 이런 톱날은 쉽게 부러질 수 있습니다.
- ▶ **항상 주축 구멍의 크기와 모양(다이아몬드형 또는 원형)이 맞는 톱날을 사용하십시오.** 톱날이 장착된 장비와 맞지 않으면 중심을 벗어난 상태로 작동되어 제어가 어려울 수 있습니다.
- ▶ **절대로 전동공구가 작동하는 동안 절단 부위에서 절단 나머지 조각이나 톱밥 등을 제거하지 마십시오.** 톱 암을 항상 중립 위치에 두고 나서 전동공구의 스위치를 끄십시오.
- ▶ **작업을 마치고 나서 톱날이 완전히 식은 후에 톱날을 만지십시오.** 톱날이 작업하는 동안 아주 뜨거워질 수 있습니다.

기호

다음에 나와있는 기호는 귀하의 전동공구를 사용하는 데 중요할 수 있습니다. 그러므로 기호와 그 의미를 잘 기억해 두십시오. 기호를 제대로 이해하면 전동공구를 더욱 쉽고 안전하게 사용할 수 있습니다.

기호와 설명



전동공구가 작동하는 동안 손을 톱날 쪽으로 두지 마십시오. 톱날에 닿게 되면 상해 위험이 있습니다.



분진 마스크를 착용하십시오.



보안경을 착용하십시오.



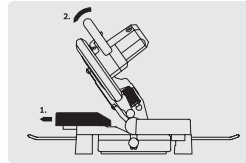
귀마개를 착용하십시오. 소음으로 인해 청각을 상실할 수 있습니다.



위험 부위 가능한 한 이 부위에 손과 팔, 손가락을 가까이 대지 마십시오.



톱날의 치수를 확인하십시오. 구멍의 직경은 톱 스펀들에 정확히 맞아야 합니다. 리덕션 링 사용해야 하는 경우, 리덕션 링의 치수가 톱날 두께와 구멍의 직경, 톱 스펀들의 직경에 맞는 지 확인하십시오. 톱날과 함께 공급되는 리덕션 링을 최대한 활용하십시오. 톱날 직경은 기호에 적혀 있는 내용과 일치해야 합니다.



수직 마이터 각도 절단 시 위치 조절이 가능한 펜스를 바깥쪽으로 당기거나 완전히 제거하십시오.

제품 및 성능 설명



모든 안전 수칙과 지침을 숙지하십시오. 다음의 안전 수칙과 지침을 준수하지 않으면 화재 위험이 있으며 감전 혹은 중상을 입을 수 있습니다.

사용 설명서 앞 부분에 제시된 그림을 확인하십시오.

규정에 따른 사용

본 전동공구는 고정된 형태로 작업물을 직선으로 가로 및 세로 절단하는 데 사용해야 합니다. 이때 수평 마이터 각도는 -47° ~ +52°이며, 수직 마이터 각도는 0° ~ 45°까지 가능합니다.

전동공구의 성능은 경목과 연목, 칩 보드나 파티클 보드 혹은 알루미늄 및 플라스틱에 절단작업을 하도록 설계되어 있습니다.

제품의 주요 명칭

제품의 주요 명칭에 표기되어 있는 번호는 기기 그림이 나와있는 면을 참고하십시오.

- (1) 안전반
- (2) 톨암 해제용 레버
- (3) 손잡이
- (4) 전원 스위치
- (5) 하부 안전반
- (6) 펜스
- (7) 톨 테이블
- (8) 순간 고정 클램프용 구멍
- (9) 작업 표면 보호대
- (10) 다양한 (수평) 마이터 각도를 위한 잠금 손잡이
- (11) (수평) 마이터 각도 설정용 레버
- (12) (수평) 마이터 각도용 각도 표시기
- (13) (수평) 마이터 각도 눈금
- (14) 조립용 구멍
- (15) 홈 파인 잡는 부위
- (16) 연장장치용 구멍
- (17) 위치 조절이 가능한 펜스
- (18) 순간 고정 클램프
- (19) 먼지 백
- (20) 보호가드
- (21) 연장 펜스 고정 나사
- (22) 육각키 (6 mm)/십자 스크류 드라이버
- (23) (수직) 45° 게이지 각도용 스토퍼 볼트
- (24) 수평 안전장치 손잡이
- (25) 톨밥 배출구
- (26) 다양한 (수직) 마이터 각도를 위한 고정 레버
- (27) 운반 안전장치
- (28) 운반용 손잡이
- (29) 스피들 잠금장치
- (30) 깊이 조절자의 조정 나사
- (31) (수직) 마이터 각도용 각도 표시기
- (32) (수직) 마이터 각도용 눈금
- (33) (수직) 0° 게이지 각도용 스토퍼 볼트
- (34) 수평 안전장치 손잡이 구멍
- (35) "수평 안전장치 손잡이" 고정 세트
- (36) 연장장치
- (37) 연장장치용 고정 볼트
- (38) 십자형 볼트 (하부 안전반 고정용)
- (39) 톨날 고정용 육각 볼트
- (40) 고정 플랜지
- (41) 톨날
- (42) 내부 고정 플랜지
- (43) 나사산 로드 높이 조절 나사
- (44) 나사산 로드
- (45) (수평) 표준 마이터 각도 표시 홈
- (46) 작업 표면 보호대용 볼트
- (47) 펜스의 육각 볼트
- (48) (수직) 각도 표시기용 볼트

제품 사양

각도절단기		GCM 10 MX
제품 번호		3 601 M29 0..
소비 전력	W	1700
무부하 속도	min ⁻¹	4800
EPTA-Procedure 01:2014에 따른 중량	kg	16.8
보호 등급		□/II
작업물 허용 크기(최대/최소) (참조 „작업물 허용 크기“, 페이지 47)		
자료는 정격 전압 [U] 230 V를 기준으로 한 것입니다. 전압이 다른 경우 및 국가별 사양에 따라 변동이 있을 수 있습니다.		
적당한 톨날의 크기		
톨날 직경	mm	254
톨날 두께	mm	1.8-2.8
구멍 직경	mm	25.4

소음에 관한 정보

EN 62841-3-9 표준에 따라 산출된 소음 배출량.
전동공구의 A급 소음레벨은 일반적으로 다음과 같습니다: 음압 레벨 **92** dB(A); 음향 레벨 **105** dB(A).
오차 K = **3** dB.

귀마개를 착용하십시오!

본 지침에 제시된 소음 배출량은 표준 규격에서 지정한 절차에 따라 측정되었으며, 전동공구를 서로 비교할 때 활용할 수 있습니다. 배출된 소음을 임의로 평가할 때도 사용할 수 있습니다.

제시된 소음 배출량은 전동공구의 주된 용도를 나타냅니다. 전동공구를 다른 용도에 사용하거나 다른 공구 비트를 사용한 경우, 혹은 점검이 제대로 이뤄지지 않은 경우, 소음 배출량이 차이가 발생할 수 있습니다. 이로 인해 전 작업 시간에 걸친 소음 배출량이 현저히 증가할 수 있습니다.

소음 배출량을 정확하게 평가하기 위해서는 장치가 꺼져 있거나, 혹은 켜져 있더라도 실제로 작동하지 않은 시간을 고려해야 합니다. 이로 인해 전 작업 시간에 걸친 소음 배출량이 현저히 감소될 수 있습니다.

조립

- ▶ **실수로 전동공구가 작동하지 않도록 주의하십시오.**
오. 조립을 하거나 전동공구에 모든 작업을 하기 전에 반드시 콘센트에서 전원 플러그를 빼 놓으십시오.

공급 내역



이를 위해 설명서 초반에 제시된 공급 내역의 그림에 유의하십시오.

전동공구를 처음 사용하기 전에 먼저 아래에 열거된 부품이 모두 공급되었는지 확인해 보십시오:

- 톱날이 장착된 각도절단기
- 먼지 백 (19)
- 순간 고정 클램프 (18)
- 육각키/십자 스크류 드라이버 (22)
- 수평 안전장치 손잡이 (24) 및 고정 세트 (35) (볼트 2개, 와셔 2개, 4각 너트 2개)

지침: 혹시 전동공구가 손상되지 않았는지 확인해 보십시오.

전동공구를 계속 사용하기 전에 보호장치나 경미하게 손상된 부품이 아무 하자 없이 제대로 기능을 하는지 조심스럽게 확인해 보아야 합니다. 또한 가동 부위가 하자 없이 정상적인 기능을 하는지, 걸리는 부위가 없는지 혹은 부품이 손상되지 않았는지 확인하십시오. 기기를 제대로 작동하려면 모든 부품이

올바르게 조립되어 있어야 하고 모든 조건을 만족해야 합니다.

손상된 보호장치나 부품은 지정 서비스 센터에 맡겨 수리하거나 교환하도록 해야 합니다.

각 부품 조립하기

- 모든 공급되는 부품을 조심스럽게 포장에서 꺼내십시오.
- 전동기기와 함께 공급되는 액세서리에서 포장재를 빼십시오.

수평 안전장치 손잡이 조립하기(그림 A 참조)

전동공구를 처음 사용하기 전에 수평 안전장치 손잡이 (24) 를 조립하십시오.

조립 시 "수평 안전장치 손잡이" 고정 세트 (35) 를 사용하십시오.

- 4각 너트 (35) 를 베이스 플레이트의 너트용 구멍 (34) 에 끼우십시오.
- 와셔 (35) 를 고정 볼트 (35) 에 끼우고, 수평 안전장치 손잡이 (24) 를 볼트로 조여 삽입한 너트 안으로 넣으십시오.

▶ 절대 수평 안전장치 손잡이를 제거하지 마십시오.

수평 안전장치가 없으면 전동공구가 안정된 상태가 아니며, 특히 최대 마이터 각도로 절단작업 시 쓰러질 수 있습니다.

연장장치 조립하기(그림 B 참조)

길고 무거운 작업물에 작업할 경우, 과적되지 않은 끝부분의 아래쪽을 받쳐 주어야 합니다.

추가로 톱 테이블을 연장하기 위해 전동공구의 왼쪽이나 오른쪽에 연장장치를 조립할 수 있습니다.

- 연장장치 (36) 를 전동공구의 양쪽에 해당하는 구멍 (16) 안으로 끝까지 밀어 넣습니다.
- 연장장치를 고정하기 위해 고정 볼트 (37) 를 조이십시오.

고정식 혹은 이동식 조립

- ▶ **안전한 작업을 하려면 전동공구를 사용하기 전에 먼저 작업대 처럼 안정적이고 평평한 작업면 위에 조립해야 합니다.**

작업대에 조립하기(그림 C1-C2 참조)

- 전동공구를 적당한 고정 볼트를 사용하여 작업대에 고정하십시오. 이때 구멍 (14) 을 사용하십시오.

또는

- 전동공구의 아래 부분을 시중에서 구매가 가능한 순간 고정 클램프를 사용하여 작업대에 고정하십시오.

보쉬 절단기 스탠드 조립하기

보쉬사의 GTA-절단기 스탠드를 사용하면 높이 조절이 가능한 발이 있어 전동공구를 각종 바닥면에 안정된 상태로 세울 수 있습니다. 절단기 스탠드의 작업을 받침대는 긴 작업을 작업 시 받쳐 줍니다.

▶ 절단기 스탠드에 첨부되어 있는 모든 경고 사항과

사용 설명서를 자세히 읽고 지켜야 합니다. 경고 사항과 사용 설명서를 준수하지 않으면 화재 위험이 있으며 감전 혹은 중상을 입을 수 있습니다.

▶ 전동공구를 조립하기 전에 절단기 스탠드를 제대로 세워야 합니다.

절단기 스탠드를 올바르게 세워야 쓰러질 위험이 줄어듭니다.

- 전동공구를 운반 시의 위치로 절단기 스탠드 위에 조립하십시오.

분진 및 톱밥 추출장치

납 성분을 포함한 페인트나 몇몇 나무 종류, 또는 광물 성분 그리고 철과 같은 재료의 분진은 건강을 해칠 수 있습니다. 이 분진을 만지거나 호흡할 경우, 사용자나 주변 사람들이 알레르기 반응이나 호흡기 장애를 일으킬 수 있습니다.

떡갈나무나 너도밤나무와 같은 특정한 분진은 암을 유발시키며, 특히 목재 처리용으로 사용되는 부가 원료 (크로마트, 목재 보호제)와 혼합되면 암을 유발시키게 됩니다. 석면 성분을 포함한 재료는 전문가만 작업할 수 있습니다.

- 가능한 작업물 소재에 적당한 분진 추출장치를 사용하십시오.
- 작업장의 통풍이 잘 되도록 하십시오.
- 필터등급 P2가 장착된 호흡 마스크를 사용하십시오.

작업용 재료에 관해 국가가 지정한 규정을 고려하십시오.

▶ 작업장에 분진이 쌓이지 않도록 하십시오.

분진이 쉽게 발화할 수 있습니다.

분진 및 톱밥 추출장치가 분진, 톱밥 혹은 작업물의 파편으로 막힐 수 있습니다.

- 이러한 경우 전동공구의 스위치를 끄고 전원 콘센트에서 플러그를 빼십시오.
- 톱날이 완전히 정지할 때까지 기다리십시오.
- 막히게 된 원인을 찾아 해결하십시오.

자체 분진 처리(그림 D 참조)

톱밥을 손쉽게 모으기 위해서는 함께 공급되는 먼지 백 (19) 을 사용하십시오.

- 먼지 백 (19) 을 톱밥 배출구 (25) 에 끼우십시오. 절단 작업을 하는 동안 절대로 먼지 백이 기기의 가동하는 부위에 닿지 않도록 해야 합니다. 먼지 백을 적시에 비워 주십시오.

▶ 사용 후에는 항상 먼지 백을 비우고 깨끗이 유지 하십시오.

▶ 화재 위험을 예방하기 위해 알루미눔을 절단할 경우 먼지 백을 빼내십시오.

외부 분진 처리

집진을 위해 톱밥 배출구 (25) 에도 진공 청소기 호스(Ø 35 mm)를 연결하십시오.

- 집진 호스를 톱밥 배출구 (25) 에 연결하십시오. 진공 청소기는 작업하는 소재에 적당한 것이어야 합니다.

특히 건강에 유해한 발암성 혹은 건조한 분진을 처리해야 할 경우에는 특수한 청소기를 사용해야 합니다.

톱날 교환하기(그림 E1-E3 참조)

▶ 전동공구를 보수 정비하기 전에 반드시 콘센트에서 전원 플러그를 빼십시오.

▶ 톱날을 조립할 때 보호 장갑을 착용하십시오.

톱날에 닿게 되면 상해를 입을 수 있습니다.

반드시 허용되는 최고 RPM이 전동공구의 무부하 속도보다 높은 톱날만 사용해야 합니다.

이 사용 설명서에 나와있는 특성 자료에 부합하고 EN 847-1 기준에 따라 검증되었다는 것이 표시되어 있는 톱날만 사용하십시오.

본 전동공구는 제조사가 권장하는 작업 자재와 톱날만 사용하십시오. 이를 통해 톱니 과열 현상을 방지할 수 있습니다.

톱날 탈착하기

- 전동공구를 작업 위치로 옮깁니다.

- 레버 (2) 를 누른 상태에서 하부 안전반 (5) 을 뒤쪽으로 끝까지 젖히십시오. 하부 안전반이 이 위치에 있도록 하십시오.

- 볼트 (38) 를 하부 안전반의 고정 부분이 뒤쪽으로 끝까지 젖혀질 때까지 함께 공급된 십자 스�크류 드라이버 (22) 로 푸십시오.

- 육각 볼트 (39) 를 함께 공급된 육각키 (22) 로 돌리면서 스팀을 잠금장치 (29) 가 맞물려 고정될 때까지 미십시오.

- 스팀을 잠금장치 (29) 를 누른 상태에서 SDS 볼트 (39) 를 시계 방향으로 돌려 빼내십시오(원나사!).

- 고정 플랜지 (40) 를 분리하십시오.

- 톱날 (41) 을 분리하십시오.

톱날 장착하기

필요에 따라, 장착하기 전에 조립하려는 모든 부품을 깨끗이 닦으십시오.

- 새 톱날을 고정 플랜지 (42) 안쪽에 끼우십시오.

▶ **톱날을 끼울 때 톱니의 절단 방향(톱날에 표시된 화살표 방향)이 안전반에 나와있는 화살표 방향과 일치해야 하는지 확인하십시오!**

- 고정 플랜지 (40) 및 나사 (39) 를 끼웁니다. 스프링 잠금장치 (29) 가 맞물려 고정될 때까지 누른 다음, 볼트를 시계 반대 방향으로 조이십시오.
- 볼트 (38) 가 해당되는 홈 안에 들어갈 때까지 하부 안전반 (5) 을 앞쪽 아래로 누르십시오. 이때 하부 안전반의 프리텐션에 달하기 위해 경우에 따라 손잡이에 있는 톨암을 잡고 있어야 합니다.
- 하부 안전반 (5) 을 다시 고정합니다(볼트 (38) 를 조입니다).
- 레버 (2) 를 누른 상태로 하부 안전반을 다시 아래로 움직입니다.
- ▶ **고정 플랜지 설치 시 넓은 쪽이 톱날쪽을 향해야 함에 유의하십시오.** 장착 방향이 바뀌면 톱날을 조일 수 없습니다.

작동

▶ **전동공구를 보수 정비하기 전에 반드시 콘센트에서 전원 플러그를 빼십시오.**

운반 안전장치(그림 F 참조)

다른 장소에서 사용하기 위해 전동공구를 운반할 때 운반 안전장치 (27) 를 이용하여 수월하게 다룰 수 있습니다.

전동공구의 안전장치 풀기(작업 위치)

- 손잡이 (3) 에 있는 톨 암을 아래쪽으로 눌러 운반 안전장치 (27) 를 푸십시오.
- 운반 안전장치 (27) 를 바깥쪽으로 끝까지 당기십시오.
- 톨 암을 서서히 위쪽으로 움직입니다.

지침: 운반 안전장치가 안쪽으로 눌리지 않게 하십시오. 그렇지 않을 경우 톨 암이 원하는 깊이까지 젖혀지지 않을 수 있습니다.

전동공구에 고정하기(운반 위치)

- 손잡이 (3) 의 톨 암이 아래쪽 끝까지 젖혀질 때까지 깊이 조절자를 안쪽으로 젖혀하십시오.
- 운반 안전장치 (27) 가 안쪽 끝까지 들어갈 때까지 레버 (2) 를 누르면서 손잡이 (3) 의 톨 암을 아래쪽으로 젖혀하십시오.

이제 톨암을 안전하게 운반할 수 있도록 고정되었습니다.

작업 준비

펜스 이동하기(그림 G 참조)

수직 마이터 각도로 톱 작업하는 경우 위치 조절이 가능한 펜스 (17) 를 이동시켜야 합니다.

- 날개 나사 (21) 를 푸십시오.
- 위치 조절이 가능한 펜스 (17) 를 바깥쪽으로 끝까지 당기십시오.
- 날개 나사 (21) 를 다시 체결하십시오. 수직 마이터 각도로 톱 작업한 후 위치 조절이 가능한 펜스 (17) 를 다시 되돌려 미십시오(날개 나사 (21) 풀기, 펜스 (17) 를 맨 안쪽으로 밀기, 날개 나사 다시 조이기).

작업물 고정하기(그림 H 참조)

작업을 안전하게 실시하려면 작업물을 항상 단단히 고정해야 합니다. 크기가 너무 작아 고정하기 어려운 작업물에는 작업하지 마십시오.

- 작업물을 펜스 (6) 및 (17) 쪽으로 세계 누르십시오.
- 함께 공급된 순간 고정 클램프 (18) 를 이에 해당하는 구멍 (8) 중 하나에 끼웁니다.
- 날개 나사 (43) 를 풀고 순간 고정 클램프를 작업물에 맞게 맞춥니다. 날개 나사를 다시 조입니다.
- 나사산 로드 (44) 를 단단히 조여 작업물을 고정시키십시오.

작업물 빼기

- 순간 고정 클램프를 풀려면 나사산 로드 (44) 를 시계 반대 방향으로 돌리면 됩니다.

수평 및 수직 마이터 각도 설정하기

▶ **전동공구를 보수 정비하기 전에 반드시 콘센트에서 전원 플러그를 빼십시오.**

정밀한 절단 작업을 하려면 전동공구를 집중적으로 사용하고 나서 그 기본 세팅 사항을 확인해 보고 필요에 따라 다시 설정해야 합니다.

이 경우 경험이 있어야 하고 해당하는 특수공구가 필요합니다.

보쉬 지정 서비스 센터에서 작업을 올바르게 신속하게 처리합니다.

▶ **절단 작업을 하기 전에 항상 잠금 손잡이 (10) 를 팍 조이십시오.** 그렇지 않으면 톱날이 작업물에 걸릴 수 있습니다.

수평 마이터 각도 설정하기(그림 I 참조)

수평의 마이터 각도는 (좌측) 47° ~ (우측) 52° 범위에서 조절할 수 있습니다.

- 잠금 손잡이 (10) 가 조여져 있으면 이를 푸십시오.

- 레버 (11) 쪽으로 밀고, 다양한 마이터 각도를 위한 잠금 손잡이에서 톱 테이블 (7) 을 좌측 또는 우측으로 돌려 각도 표시기 (12) 를 보면서 원하는 수평 마이터 각도로 조정하십시오.
- 잠금 손잡이 (10) 를 다시 조이십시오.

자주 사용하는 수평 마이터 각도를 신속하고 정확하게 설정하기 위해 톱 테이블에 각도 표시 홈 (45) 이 설정되어 있습니다:

좌측	0°	우측
45°, 30°, 22.5°, 15°		15°, 22.5°, 30°, 45°

- 잠금 손잡이 (10) 가 조여져 있으면 이를 푸십시오.
- 레버 (11) 를 눌러 원하는 각도 표시 홈이 나올 때까지 톱 테이블 (7) 을 좌측 또는 우측으로 돌리십시오.
- 레버에서 다시 손을 뗍니다. 이때 레버가 확실하게 표시 홈에 걸려야 합니다.
- 잠금 손잡이 (10) 를 다시 조이십시오.

수직 마이터 각도 설정하기(그림 J 참조)

- 수직 마이터 각도는 0° ~ 45° 범위에서 조절할 수 있습니다.
- 고정 레버 (26) 를 푸십시오.
- 손잡이 (3) 에 있는 톱 암을 각도 표시기 (31) 에서 원하는 수직 마이터 각도가 보일 때까지 우측으로 돌리십시오.
- 톱 암을 이 위치에 유지한 상태로 고정 레버 (26) 를 다시 조입니다.

표준 각도인 0°와 45°를 신속하고 정확하게 설정하기 위해 공장에서 설정된 스톱퍼 볼트((33), (23))가 있습니다.

- 고정 레버 (26) 를 푸십시오.
- 손잡이 (3) 의 톱 암을 우측 스톱퍼(0°)까지 또는 좌측 스톱퍼(45°)까지 젖히십시오.
- 고정 레버 (26) 를 다시 당겨 고정시킵니다.

기계 시동

- ▶ **전원의 전압에 유의하십시오! 공급되는 전원의 전압은 전동공구의 명판에 표기된 전압과 동일해야 합니다. 230 V 로 표시된 전동공구는 220 V에서도 작동이 가능합니다.**

전원 켜기(그림 K 참조)

- 작동하려면 전원 스위치 (4) 를 누르고 누른 상태를 유지하십시오.

지침: 작업 안전상의 이유로 전원 스위치 (4) 를 고정할 수 없으므로, 작동 중에 이를 계속 누르고 있어야 합니다.

레버 (2) 를 눌러야만 톱 암을 아래로 움직일 수 있습니다.

- 따라서 톱 작업을 하려면 전원 스위치 (4) 작동 위에도 레버 (2) 를 눌러야 합니다.

전원 끄기

- 전원을 끄려면 전원 스위치 (4) 에서 손을 떼십시오.

사용방법

절단기에 관한 일반 사항

- ▶ **절단 작업을 하기 전에 항상 잠금 손잡이 (10) 및 고정 레버 (26) 를 꼭 조이십시오.** 그렇지 않으면 톱날이 작업물에 걸릴 수 있습니다.
- ▶ **절단 작업을 할 때 항상 톱날이 펜스, 순간 고정 클램프 혹은 기기의 다른 부위에 닿지 않도록 항상 주의해야 합니다.** 경우에 따라 조립된 보조 스톱퍼를 제거하거나 조정하십시오.

톱날에 충격을 주거나 힘을 가하지 마십시오. 측면에서 톱날에 압력을 가하지 마십시오. 휘어진 작업물에 작업하지 마십시오. 반드시 작업물은 펜스에 닿을 수 있도록 직선의 모서리가 있어야 합니다.

길고 무거운 작업물에 작업할 경우, 과적되지 않은 끝부분의 아래쪽을 받쳐 주어야 합니다.

하부 안전반이 제대로 작동하는지 그리고 자유로이 움직이는지 확인해 보십시오. 톱 암을 아래쪽으로 끼울 때, 하부 안전반이 열려야 합니다. 톱 암을 위쪽으로 끼울 때, 하부 안전반이 톱날 위쪽에서 다시 닫히고 톱 암의 최상단 위치에 고정되어야 합니다. 규정에 따른 사용에 나와있는 작업 소재에만 사용하십시오.

작업자의 위치(그림 L 참조)

- ▶ **톱날과 일직선으로 전동공구 앞쪽에 서지 말고, 항상 톱날에 비스듬히 옆으로 서십시오.** 이렇게 하면 반동이 생길 경우에 대비하여 안전합니다.
- 손, 손가락, 팔을 회전하는 톱날 가까이에 두지 마십시오.
- 톱 암 앞에서 손을 교차시키지 마십시오.

작업물 허용 크기

최대 작업물 크기:

수평 마 이터 각 도	수직 마 이터 각 도	높이 x 폭 [mm]	
		최대 높이	최대 폭
0°	0°	89 x 89	62 x 130

수평 마 이터 각 도	수직 마 이터 각 도	높이 x 폭 [mm]	
		최대 높이	최대 폭
45°	0°	86 x 67	65 x 91
0°	45°	44 x 95	32 x 130
45°	45°	44 x 67	32 x 91

최소 작업물 (= 함께 공급된 순간 고정 클램프를 이용해 톱날의 좌측 또는 우측에 고정할 수 있는 모든 작업물): 110 x 130 mm (길이 x 폭)

최대 절단 깊이(0°/0°): 89 mm

작업 표면 보호대 교환하기(그림 M 참조)

전동공구를 오래 사용하면 작업 표면 보호대 (9) 가 마모될 수 있습니다.

손상된 작업 표면 보호대를 교환하십시오.

- 전동공구를 작업 위치로 둡니다.
- 볼트 (46) 을 함께 공급된 십자 드라이버 (22) 를 이용하여 풀어낸 후 기존 작업 표면 보호대를 빼내십시오.
- 볼트 (46) 를 사용하여 작업 표면 보호대를 가능한 한 오른쪽으로 조여 고정하여, 측면 이동이 가능한 전체 구간에서 톱날이 작업 표면 보호대에 접하지 않도록 하십시오.

톱 작업(절단하기)

- 작업물을 크기에 맞게 고정하십시오.
- 원하는 수평 또는 수직의 마이터 각도로 설정하십시오.
- 조정 나사 (30) 의 높이를 작업물 전체가 절단될 수 있게 조정하십시오.
- 전동공구의 스위치를 켜십시오.
- 레버 (2) 를 누른 상태로 손잡이 (3) 에 있는 톱 암을 천천히 아래로 움직입니다.
- 일정한 속도로 작업물에 절단작업을 하십시오.
- 전동공구의 스위치를 끄고 나서 톱날이 완전히 정지할 때까지 기다립니다.
- 톱 암을 서서히 위쪽으로 움직입니다.

깊이 조절자 조절하기(홈 절단하기)(그림 N 참조)

홈을 톱질 작업 하고자 하는 경우 깊이 조절자의 조정 나사 (30) 을 시계 방향으로 돌려야 합니다.

- 톱암 손잡이 (3) 가 원하는 홈 깊이에 도달할 때까지 돌리십시오.
- 볼트 끝이 하우징 스톱위치에 닿을 때까지 조정 나사 (30) 를 시계방향으로 체결하십시오.
- 톱 암을 서서히 위쪽으로 움직입니다.

특수한 작업물

휘어지거나 둥근 형태의 작업물을 절단할 경우 특히 미끄러지지 않도록 주의해야 합니다. 절단선에 작업물, 펜스 그리고 톱 테이블 사이에 조금의 틈도 있어서는 안 됩니다.

필요에 따라 특수한 고정대를 만들어야 합니다.

프로파일 몰딩 작업하기

프로파일 몰딩은 두 가지 방법으로 작업할 수 있습니다:

작업물의 위치	바닥 몰딩	천장 몰딩
- 펜스에 대고 고정해서		
- 톱 테이블에 평평하게 누어서		

(수평 그리고/또는 수직) 마이터 각도를 설정하고 나서 우선 쓸모 없는 목재에 시험해 보십시오.

기본 세팅 확인 및 조절하기

정밀한 절단 작업을 하려면 전동공구를 집중적으로 사용하고 나서 그 기본 세팅 사항을 확인해 보고 필요에 따라 다시 설정해야 합니다. 이 경우 경험이 있어야 하고 해당하는 특수공구가 필요합니다. 보쉬 지정 서비스 센터에서 작업을 올바르게 신속하게 처리합니다.

펜스 맞추기

- 전동공구를 운반할 때의 위치로 놓습니다.
- 0° 각도 표시 홈 (45) 이 나올 때까지 톱 테이블 (7) 을 좌측 또는 우측으로 돌리십시오. 이때 레버 (11) 가 확실히 표시 홈에 걸려야 합니다.
- 위치 조절이 가능한 펜스 (17) 를 바깥쪽으로 끝까지 당기십시오.

점검하기(그림 O1 참조)

- 각도 게이지를 90°에 맞추고, 펜스 (6) 와 톱날 사이의 톱 테이블 (7) 상에 톱날 (41) 과 가장자리가 일치되게 놓습니다.
- 각도기가 펜스의 전체 길이와 똑같이 접해 있어야 합니다.

설정하기(그림 O2 참조)

- 육각 볼트 (47) 를 함께 공급된 육각키 (22) 를 이용하여 푸십시오.
- 각도 게이지가 전체 길이와 가장자리가 일치될 때까지 펜스 (6) 를 돌리십시오.
- 볼트를 다시 꼭 조입니다.

수직 표준 마이터 각도 0° 조절하기

- 전동공구를 운반할 때의 위치로 놓습니다.
- 0° 각도 표시 홈 (45) 이 나올 때까지 톱 테이블 (7) 을 좌측 또는 우측으로 돌리십시오. 이때 레버 (11) 가 확실히 표시 홈에 걸려야 합니다.

확인하기(그림 P1 참조)

- 각도 게이지를 90° 에 맞추고, 톱 테이블 (7) 상에 놓습니다.

각도 게이지의 암이 전체 길이에 걸쳐 톱날 (41) 과 정확히 맞아야 합니다.

설정하기(그림 P2 참조)

- 고정 레버 (26) 를 푸십시오.
- 스톱퍼 볼트 (33) 의 고정 너트를 일반 박스 렌치 또는 스패너(13 mm)를 이용하여 푸십시오.
- 스톱퍼 볼트를 각도 게이지의 암이 전 길이에 걸쳐 톱날과 정확히 맞을 때까지 안팎으로 돌려줍니다.
- 고정 레버 (26) 를 다시 당겨 고정시킵니다.
- 그리고 나서 스톱퍼 볼트 (33) 의 고정 너트를 다시 조이십시오.

조정 후 각도 표시기 (31) 가 눈금 (32) 의 0° 표시와 일치하지 않을 경우, 일반 십자 스크류 드라이버를 이용하여 볼트 (48) 를 풀고 각도 표시기를 0° 표시에 맞춰 정렬하십시오. (그림 R 참조)

수직 표준 마이터 각도 45° 조절하기

- 전동공구를 작업 위치로 둡니다.
- 0° 각도 표시 홈 (45) 이 나올 때까지 톱 테이블 (7) 을 좌측 또는 우측으로 돌리십시오. 이때 레버 (11) 가 확실히 표시 홈에 걸려야 합니다.
- 고정 레버 (26) 를 풀고, 손잡이 (3) 에 있는 틀 암을 왼쪽으로 끝까지 움직이십시오(45°).

확인하기(그림 Q1 참조)

- 각도 게이지를 45° 에 맞추고, 톱 테이블 (7) 상에 놓습니다.

각도 게이지의 암이 전체 길이에 걸쳐 톱날 (41) 과 정확히 맞아야 합니다.

설정하기(그림 Q2 참조)

- 스톱퍼 볼트 (23) 의 고정 너트를 일반 박스 렌치 또는 스패너(13 mm)를 이용하여 푸십시오.
- 스톱퍼 볼트를 각도 게이지의 암이 전 길이에 걸쳐 톱날과 정확히 맞을 때까지 안팎으로 돌려줍니다.
- 고정 레버 (26) 를 다시 당겨 고정시킵니다.
- 그리고 나서 스톱퍼 볼트 (23) 의 고정 너트를 다시 조이십시오.

각도 표시기 (31) 가 조절 후에도 눈금 (32) 의 45° 표시와 일치하지 않을 경우, 우선 마이터 각도와 각도 표시기의 0° 설정이 제대로 되었는지 확인해 보십시오. 그리고 나서 45° 수직 마이터 각도의 조절을 반복하십시오.

운반(그림 S 참조)

전동공구를 운반하기 전에 다음의 조치를 취해야 합니다:

- 전동공구를 운반할 때의 위치로 놓습니다.
- 전동공구에 고정되어 있지 않은 모든 액세서리 부품을 제거하십시오.
- 사용하지 않는 톱날들은 운반할 때 가능하면 케이스에 넣어 잠가 두십시오.
- 전동공구의 운반용 손잡이 (28) 를 잡거나 톱 테이블에서는 측면으로 홈 파인 잡는 부위 (15) 쪽을 잡으십시오.

▶ 전동공구를 운반할 때는 운반용 장치만 사용해야 하며, 어떠한 경우에도 보호 장치를 사용하지 마십시오.

보수 정비 및 서비스

보수 정비 및 유지

▶ 전동공구를 보수 정비하기 전에 반드시 콘센트에서 전원 플러그를 빼십시오.

▶ 안전하고 올바른 작동을 위하여 전동공구와 전동공구의 톱날을 항상 깨끗이 하십시오.

연결 코드를 교환해야 할 경우 안전을 기하기 위해 Bosch 또는 Bosch 지정 전동공구 서비스 센터에 맡겨야 합니다.

하부 안전반은 항상 자유로이 움직이고 저절로 닫힐 수 있어야 합니다. 그렇기 때문에 하부 안전반 주위를 항상 깨끗이 해야 합니다.

매번 작업을 마치고 나서 분진과 톱밥을 압력 공기로 불어 내거나 브러시를 사용하여 제거하십시오.

별매 액세서리

		제품 번호
3 601 M29 040,		
3 601 M29 0B0:		1 619 PA6 916
연장장치		

경목, 복합 재료, 플라스틱 및 비철금속용 톱날

톱날 254 x 25.4 mm, 100개 톱 니	1 609 B00 844
-------------------------------	---------------

목재, 판 소재 및 패널용 톱날

톱날 254 x 25.4 mm, 40개 톱 니	2 608 673 047
톱날 254 x 25.4 mm, 100개 톱 니	2 608 640 904

AS 센터 및 사용 문의

AS 센터에서는 귀하 제품의 수리 및 보수정비, 그리고 부품에 관한 문의를 받고 있습니다. 대체 부품에

관한 분해 조립도 및 정보는 인터넷에서도 찾아 볼 수 있습니다 - www.bosch-pt.com

보쉬 사용 문의 팀에서는 보쉬의 제품 및 해당 액세서리에 관한 질문에 기꺼이 답변 드릴 것입니다.

문의나 대체 부품 주문 시에는 반드시 제품 네임 플레이트에 있는 10자리의 부품번호를 알려 주십시오.

콜센터

080-955-0909

처리

기기와 액세서리 및 포장 등은 환경 친화적인 방법으로 재활용 수 있도록 분류하십시오.



전동공구를 가정용 쓰레기로 처리하지 마십시오!

ไทย

คำเตือนเพื่อความปลอดภัย

คำเตือนเพื่อความปลอดภัยทั่วไปสำหรับเครื่องมือไฟฟ้า

คำเตือน อ่านคำเตือนเพื่อความปลอดภัย คำแนะนำ ภาพประกอบ และข้อมูล

จำเพาะทั้งหมดที่จัดส่งมาพร้อมกับเครื่องมือไฟฟ้า

การไม่ปฏิบัติตามคำแนะนำทั้งหมดที่ระบุไว้ด้านล่างนี้อาจทำให้ถูกไฟฟ้าดูด เกิดไฟไหม้ และ/หรือได้รับบาดเจ็บอย่างร้ายแรง

เก็บรักษาคำเตือนและคำสั่งทั้งหมดสำหรับเปิดอ่านในภายหลัง

คำว่า "เครื่องมือไฟฟ้า" ในคำเตือนหมายถึง เครื่องมือไฟฟ้าของท่านที่ทำงานด้วยพลังงานไฟฟ้าจากแหล่งจ่ายไฟหลัก (มีสายไฟฟ้า) และเครื่องมือไฟฟ้าที่ทำงานด้วยพลังงานไฟฟ้าจากแบตเตอรี่ (ไร้สาย)

ความปลอดภัยในสถานที่ทำงาน

▶ รักษาสถานที่ทำงานให้สะอาดและมีไฟส่องสว่างดี

สถานที่ที่มีมืดหรือรกรุงรังนำมาซึ่งอุบัติเหตุ

▶ อย่าใช้เครื่องมือไฟฟ้าทำงานในสภาพบรรยากาศที่จุดติดไฟได้ เช่น ในที่มีของเหลวไวไฟ ก๊าซ หรือฝุ่น

เมื่อใช้เครื่องมือ

มือไฟฟ้าจะเกิดประกายไฟซึ่งอาจจุดฝุ่นหรือไอให้ลุกเป็นไฟได้

▶ ขณะใช้เครื่องมือไฟฟ้าทำงาน ต้องกันเด็กและผู้ยืนดูให้ออกห่าง

การหันเหความสนใจอาจทำให้ท่านขาดการควบคุมเครื่องมือ

ความปลอดภัยเกี่ยวกับไฟฟ้า

▶ ปลั๊กของเครื่องมือไฟฟ้าต้องเหมาะสมพอดีกับเต้าเสียบ

อย่าดัดแปลงปลั๊กไม่ว่าในลักษณะใดๆ อย่างเด็ดขาด

อย่าใช้ปลั๊กฟ่วงต่อใดๆ กับเครื่องมือไฟฟ้าที่มีสายดิน

ปลั๊กที่ไม่ดัดแปลงและเต้าเสียบที่เข้ากันช่วยลดความเสี่ยงจากการถูกไฟฟ้าดูด

▶ หลีกเลี่ยงอย่าให้ร่างกายสัมผัสกับพื้นผิวที่ต่อสายดิน

หรือลงกราวด์ไว้ เช่น ท่อ เครื่องทำความร้อน เตา และ

ตู้เย็น จะเสี่ยงอันตรายจากการถูกไฟฟ้าดูดมาก

ขึ้นหากกระแสไฟฟ้าวิ่งผ่านร่างกายของท่านลงดิน

▶ อย่าให้เครื่องมือไฟฟ้าถูกฝนหรืออยู่ในสภาพเปียกชื้น

หากน้ำเข้าในเครื่องมือไฟฟ้า จะเพิ่มความเสี่ยงจากการถูกไฟฟ้าดูด

▶ อย่าใช้สายไฟฟ้าในทางที่ผิด อย่าใช้สายไฟฟ้าเพื่อยก

ดึง หรือถอดปลั๊กเครื่องมือไฟฟ้า กันสายไฟฟ้าออกห่าง

จากความร้อน น้ำมัน ขอบแหลมคม หรือชิ้นส่วนที่

เคลื่อนที่ สายไฟฟ้าที่ชำรุดหรือพันกันยุ่งเพิ่มความ

เสี่ยงจากการถูกไฟฟ้าดูด

▶ เมื่อใช้เครื่องมือไฟฟ้าทำงานกลางแจ้ง ให้ใช้สายไฟ

ต่อที่เหมาะสมสำหรับการใช้งานกลางแจ้ง การใช้สาย

ไฟต่อที่เหมาะสมสำหรับงานกลางแจ้ง

จะช่วยลดอันตรายจากการถูกไฟฟ้าดูด

▶ หากไม่สามารถหลีกเลี่ยงการใช้เครื่องมือไฟฟ้าทำงาน

ในสถานที่เปียกชื้นได้ ให้ใช้สวิ

ทซ์ตัดวงจรเมื่อเกิดการรั่วไหลของไฟฟ้าจากสายดิน

(RCD) การใช้สวิทซ์ตัดวงจรเมื่อเกิดการรั่ว

ไหลของไฟฟ้าจากสายดินช่วยลดความเสี่ยงต่อการถูกไฟฟ้าดูด

ความปลอดภัยของคุณ

- ▶ **ท่านต้องอยู่ในสภาพเตรียมพร้อม ระมัดระวังในสิ่งที่ท่านกำลังทำอยู่ และมีสติขณะใช้เครื่องมือไฟฟ้า**
ทำงาน อย่าใช้เครื่องมือไฟฟ้าขณะที่ท่านกำลังเหนื่อยหรืออยู่ภายใต้การครอบงำของฤทธิ์ของยาเสพติด แอลกอฮอล์ และยา เมื่อใช้เครื่องมือไฟฟ้าทำงานในชั่วโมงที่ท่านขาดความเอาใจใส่อาจทำให้บุคคลบาดเจ็บอย่างรุนแรงได้
- ▶ **ใช้อุปกรณ์ปกป้องร่างกาย สวมแว่นตาป้องกันเสมอ**
อุปกรณ์ปกป้อง เช่น หน้ากากกันฝุ่น รองเท้ากันลื่น หมวกแข็ง หรือประอบหูกันเสียงดังที่เข้าตามความเหมาะสมกับสภาพการทำงาน จะลดการบาดเจ็บทางร่างกาย
- ▶ **ป้องกันการติดเครื่องโดยไม่ตั้งใจ ตรวจสอบให้แน่ใจว่าสวิตช์อยู่ในตำแหน่งปิดก่อนเชื่อมต่อเข้ากับแหล่งจ่ายไฟ และ/หรือแบตเตอรี่แพ็ค ยกหรือถือเครื่องมือถือเครื่องโดยไม่ทั่วทั้งที่สวิตช์ หรือเลือกปลั๊กไฟขณะสวิตช์เปิดอยู่ อาจนำไปสู่อุบัติเหตุที่ร้ายแรงได้**
- ▶ **นำเครื่องมือปรับแต่งหรือประแจปากตายออกก่อนเปิดสวิทช์เครื่องมือไฟฟ้า** เครื่องมือหรือประแจปากตายที่วางอยู่กับส่วนของเครื่องที่กำลังหมุนจะทำให้บุคคลบาดเจ็บได้
- ▶ **อย่าเอื้อมไกลเกินไป** ตั้งทำยีนที่มีมั่นคงและวางน้ำหนักให้สมดุลตลอดเวลา
ในลักษณะนี้ท่านสามารถควบคุมเครื่องมือไฟฟ้าในสถานการณ์ที่ไม่คาดคิดได้ดีกว่า
- ▶ **แต่งกายอย่างเหมาะสม** อย่าใส่เสื้อผ้าหลวมหรือสวมเครื่องประดับ เข็มและเสื้อผ้าออกห่างจากชิ้นส่วนที่เคลื่อนที่ เสื้อผ้าหลวม เครื่องประดับ และผมยาวอาจเข้าไปติดในชิ้นส่วนที่เคลื่อนที่
- ▶ **หากเครื่องมือไฟฟ้ามีข้อเชื่อมต่อกับเครื่องดูดฝุ่นหรือเครื่องเก็บผง ให้ตรวจสอบให้แน่ใจว่าได้เชื่อมต่อและใช้งานอย่างถูกต้อง** การใช้อุปกรณ์ดูดฝุ่นช่วยลดอันตรายที่เกิดจากฝุ่นได้
- ▶ **เมื่อใช้งานเครื่องมือบ่อยครั้งจะเกิดความคุ้นเคย** อย่าให้ความคุ้นเคยทำให้ท่านเกิดความชะล่าใจและละเลยกฎเกณฑ์ด้านความปลอดภัยในการใช้งานเครื่อง การ

ทำงานอย่างไม่ระมัดระวังอาจทำให้เกิดการบาดเจ็บอย่างร้ายแรงภายในเสี้ยววินาที

การใช้และการดูแลรักษาเครื่องมือไฟฟ้า

- ▶ **อย่างฝืนกำลังเครื่องมือไฟฟ้า ใช้เครื่องมือไฟฟ้าที่ถูกต้องตรงตามลักษณะงานของท่าน** เครื่องมือไฟฟ้าที่ถูกต้องจะทำงานได้ดีกว่าและปลอดภัยกว่าในระดับสมรรถภาพที่ออกแบบไว้
- ▶ **อย่าใช้เครื่องมือไฟฟ้าถ้าสวิตช์ไม่สามารถเปิดปิดได้**
เครื่องมือไฟฟ้าที่ไม่สามารถควบคุมการเปิดปิดด้วยสวิตช์ได้ เป็นเครื่องมือไฟฟ้าที่ไม่ปลอดภัยและต้องส่งซ่อมแซม
- ▶ **ก่อนปรับแต่งเครื่อง เปลี่ยนอุปกรณ์ประกอบ หรือเก็บเครื่องเข้าที่** ต้องถอดปลั๊กออกจากแหล่งจ่ายไฟ และ/หรือถอดแบตเตอรี่แพ็คออกจากเครื่องมือไฟฟ้าหากถอดออกได้
มาตรการป้องกันเพื่อความปลอดภัยนี้ช่วยลดความเสี่ยงจากการติดเครื่องโดยไม่ได้ตั้งใจ
- ▶ **เมื่อเลิกใช้งานเครื่องมือไฟฟ้า ให้เก็บเครื่องไว้ในที่ที่เด็กหยิบไม่ถึง และไม่อนุญาตให้บุคคลที่ไม่คุ้นเคยกับเครื่องหรือบุคคลที่ไม่ได้อ่านคำแนะนำเหล่านี้ใช้เครื่องมือไฟฟ้า** เป็นของอันตรายหากตกอยู่ในมือของผู้ใช้ที่ไม่ได้รับการฝึกฝน
- ▶ **บำรุงรักษาเครื่องมือไฟฟ้าและอุปกรณ์ประกอบ** ตรวจสอบชิ้นส่วนที่เคลื่อนที่ว่าวางไม่ตรงแนวหรือติดขัดหรือไม่ ตรวจสอบการแตกหักของชิ้นส่วนและสภาพอื่นใดที่อาจมีผลต่อการทำงานของเครื่องมือไฟฟ้า หากชำรุดต้องส่งเครื่องมือไฟฟ้าไปซ่อมแซมก่อนใช้งาน
อุบัติเหตุหลายอย่างเกิดขึ้นเนื่องจากดูแลรักษาเครื่องไม่ดีพอ
- ▶ **รักษาเครื่องมือตัดให้คมและสะอาด**
หากบำรุงรักษาเครื่องมือที่มีขอบตัดแหลมคมอย่างถูกต้องจะสามารถตัดได้ลื่นไม่ติดขัดและควบคุมได้ง่ายกว่า
- ▶ **ใช้เครื่องมือไฟฟ้า อุปกรณ์ประกอบ เครื่องมือ และอุปกรณ์อื่นๆ** ตรงตามคำแนะนำเหล่านี้ โดยคำนึงถึงเงื่อนไขการทำงานและงานที่จะทำ การใช้เครื่องมือไฟฟ้าทำงานที่ต่างไปจากวัตถุประสงค์การใช้งานของเครื่อง อาจนำไปสู่สถานการณ์ที่เป็นอันตรายได้

- ▶ **ดูแลตามจับและพื้นผิวจับให้แห้ง สะอาด และปราศจากคราบน้ำมันและจาระบี** ตามจับและพื้นผิวจับที่ลื่นทำให้หยิบจับได้ไม่ปลอดภัย และไม่สามารถควบคุมเครื่องมือในสถานการณ์ที่ไม่คาดคิด

การบริการ

- ▶ **ส่งเครื่องมือไฟฟ้าของท่านเข้ารับบริการจากช่างซ่อมที่มีคุณสมบัติเหมาะสม** โดยให้ข้อเท็จจริงที่เหมือนกันเท่านั้น ในลักษณะนี้ท่านจะแน่ใจได้ว่าเครื่องมือไฟฟ้าอยู่ในสภาพที่ปลอดภัย

คำเตือนเพื่อความปลอดภัยสำหรับเลื่อยตัดดอกเสา

- ▶ **เลื่อยตัดดอกเสาใช้สำหรับตัดไม้หรือผลิตภัณฑ์คล้ายไม้** เครื่องนี้ไม่สามารถใช้กับลวดข้อเพื่อตัดดอกเสาสำหรับตัดวัสดุประเภทเหล็ก เช่น แท่งเหล็ก ก้านเหล็ก สลักเกลียว และอื่นๆ ผู้ที่มีสารขาดฤทธิ์ทำให้ชิ้นส่วนที่เคลื่อนไหวได้ เช่น กระจับบ่งป้องกันล้า เกิดติดขัดประกายไฟจากการตัดที่มีสารขาดฤทธิ์เผาไหม้กระจับบ่งป้องกันล้า เพลตแทรก และชิ้นส่วนพลาสติกอื่นๆ
- ▶ **หากเป็นไปได้ให้ใช้แคลมป์หนีบชิ้นงานไว้** ในกรณีที่ใช้มือจับชิ้นงาน ท่านต้องเอามือของท่านออกห่างจากใบเลื่อยด้านใดด้านหนึ่งอย่างน้อย 100 มม. อย่าใช้เครื่องเลื่อยนี้ตัดชิ้นงานที่มีขนาดเล็กเกินไปที่ไม่สามารถหนีบด้วยแคลมป์หรือจับด้วยมือได้อย่างแน่นอน หากมือของท่านอยู่ใกล้ใบเลื่อยเกินไป จะเพิ่มความเสี่ยงต่อการได้รับบาดเจ็บจากการสัมผัสใบเลื่อย
- ▶ **ชิ้นงานต้องอยู่กับที่ และถูกยึดหนีบหรือจับทาบกับแผ่นกันและโต๊ะ** อย่าป้อนชิ้นงานเข้าไปในใบเลื่อยหรือตัดด้วย "มือเปล่า" อย่างเด็ดขาด ชิ้นงานที่หลุดหลวมหรือเคลื่อนไหวได้จะถูกเหวี่ยงออกมาด้วยความเร็วสูงและทำให้ได้รับบาดเจ็บได้
- ▶ **ดันเครื่องเลื่อยผ่านชิ้นงาน** อย่าดึงเครื่องเลื่อยผ่านชิ้นงาน สำหรับการตัด ให้ยกหัวเครื่องเลื่อยขึ้น และดึงให้อยู่เหนือชิ้นงานโดยไม่ทำการตัด จากนั้นจึงเปิดสวิตช์มอเตอร์ กดหัวเครื่องเลื่อยลง และดันเครื่องเลื่อยผ่านชิ้นงาน การตัดในจังหวะดึงมีแนวโน้มที่จะทำให้ใบเลื่อยป็นขึ้น ไปด้านบนของชิ้นงาน และเหวี่ยงชุดใบเลื่อยเข้าหาผู้ใช้งานเครื่องอย่างรุนแรง

- ▶ **อย่าไขว่มือของท่านเหนือเส้นที่ต้องการตัด** ทั้งตรงด้านหน้าและด้านหลังของใบเลื่อย การจับชิ้นงานด้วย "การไขว่มือ" คือ จับชิ้นงานที่อยู่ด้านขวาของใบเลื่อยด้วยมือซ้าย หรือในทางกลับกัน เป็นการกระทำที่อันตรายอย่างยิ่ง
- ▶ **ขณะใบเลื่อยกำลังหมุน อย่าเอามือข้างใดข้างหนึ่งเอื้อมไปด้านหลังแผ่นกันภายในระยะ 100 มม. จากด้านใดด้านหนึ่งของใบเลื่อยเพื่อหยิบเศษไม้ ออกหรือเพื่อเหตุผลอื่นใดก็ตาม** ท่านอาจสังเกตเห็นระยะประชิดของใบเลื่อยที่กำลังหมุนกับมือของท่านได้ไม่ชัดเจน และท่านอาจได้รับบาดเจ็บสาหัสได้
- ▶ **ตรวจสอบชิ้นงานของท่านก่อนทำการตัด** หากชิ้นงานบิดหรือโค้งงอ ให้ยึดชิ้นงานโดยจับส่วนที่โค้งออกด้านนอกหันเข้าหาแผ่นกัน ตรวจสอบให้แน่ใจเสมอว่าตามแนวเส้นตัดไม้มีช่องว่างระหว่างชิ้นงาน แผ่นกันและโต๊ะ ชิ้นงานที่แอ่นหรือโค้งอาจบิดหรือเคลื่อนที่ได้ และอาจส่งผลให้ติดขัดอยู่ในใบเลื่อยที่กำลังหมุนในขณะที่ตัด ต้องไม่มีตะปูหรือวัตถุแปลกปลอมในชิ้นงาน
- ▶ **อย่าใช้เครื่องเลื่อยจนกว่าจะแกะเครื่องมือทั้งหมด** เศษไม้ และอื่นๆ ออกจากโต๊ะแล้ว เหลือไว้แค่เฉพาะชิ้นงานเท่านั้น ชิ้นเศษขนาดเล็กหรือชิ้นไม้ที่หลุดหลวมหรือวัตถุอื่นใดที่ไม่สัมพันธ์กับใบเลื่อยที่หมุนอยู่ อาจดีดตัวออกมาด้วยความเร็วสูง
- ▶ **ตัดเพียงหนึ่งชิ้นงานในแต่ละครั้ง** ชิ้นงานที่ซ้อนกันหลายๆ ชิ้นจะไม่สามารถยึดหรือค้ำยันได้อย่างแน่นอน และอาจติดขัดบนใบเลื่อยหรือเคลื่อนที่ขณะตัด
- ▶ **ก่อนใช้งาน ต้องตรวจสอบให้แน่ใจว่าได้ติดตั้งหรือวางเลื่อยตัดดอกเสาไว้บนพื้นผิวทำงานที่มั่นคงและราบเสมอกัน** พื้นผิวทำงานที่มั่นคงและราบเสมอกันช่วยลดความเสี่ยงจากการลื่นคลอนของเลื่อยตัดดอกเสา
- ▶ **วางแผนการทำงานของงาน** ทุกครั้งที่ท่านเปลี่ยนการตั้งค่ามุมเอียงหรือมุมบาก ต้องตรวจสอบให้แน่ใจว่าได้ปรับตั้งแผ่นกันแบบปรับได้เพื่อหนีบชิ้นงานอย่างถูกต้องแล้ว และจะไม่กีดขวางใบเลื่อยหรือระบบป้องกันเมื่อไม่เปิดสวิตช์เครื่อง "ON" และไม่มีชิ้นงานวางบนโต๊ะ ให้จำลองการตัดโดยเคลื่อนใบเลื่อยไปจนสุด ทั้งนี้เพื่อให้มั่นใจว่าจะไม่มีสิ่งกีดขวางหรืออันตรายจากการตัดถูกแผ่นกัน

- ▶ สำหรับชิ้นงานที่มีขนาดกว้างกว่าหรือยาวกว่าพื้นผิวด้านบนของโต๊ะ ต้องจัดให้มีการหนุนค้ำอย่างเพียงพอ เช่น ใช้ส่วนขยายโต๊ะ ม้ารองเลื่อย และอื่นๆ ชิ้นงานที่มีขนาดกว้างกว่าหรือยาวกว่าโต๊ะเลื่อยตัดอาจพลิกคว่ำหากไม่ได้รับการหนุนค้ำอย่างมั่นคง หากชิ้นส่วนที่ตัดออกหรือชิ้นงานพลิกคว่ำ ชิ้นงานอาจยกกระบังป้องกันล่างขึ้นหรือถูกใบเลื่อยที่กำลังหมุนเหวี่ยงออกไป
- ▶ อย่าใช้บุคคลอื่นทำหน้าที่แทนส่วนขยายโต๊ะหรือเป็นตัวค้ำเพิ่มเติม การหนุนชิ้นงานอย่างไม่มั่นคงอาจทำให้ใบเลื่อยติดขัด หรือใบเลื่อยเคลื่อนที่ขณะตัด ซึ่งจะจุดรั้งตัวท่านและผู้ช่วยเข้าไปในใบเลื่อยที่กำลังหมุนได้
- ▶ ชิ้นส่วนที่ตัดออกจะต้องไม่เข้าไปติดขัดหรือถูกกดอัดกับใบเลื่อยที่กำลังหมุนอย่างเด็ดขาด หากมีพื้นที่จำกัด ต. ย. เช่น เมื่อใช้กันหยุดความยาว ชิ้นส่วนที่ตัดออกอาจถูกบีบอัดกับใบเลื่อยและถูกเหวี่ยงออกมาอย่างรุนแรง
- ▶ ใช้แคลมป์หรืออุปกรณ์ที่ออกแบบมาเพื่อยึดจับวัสดุทรงกลม เช่น ก้าน หรือท่อ ให้แน่นหนาเสมอ ก้านกลมมีแนวโน้มที่จะกลิ้งออกไปในขณะที่ถูกตัด ทำให้ใบเลื่อย “ติดแน่น” และดึงชิ้นงานและมือของท่านเข้าไปในใบเลื่อยได้
- ▶ ปลดปล่อยใบเลื่อยวิ่งถึงความเร็วสูงสุดก่อนแต่ละลงบนชิ้นงาน ในลักษณะนี้จะลดความเสี่ยงจากการที่ชิ้นงานจะถูกเหวี่ยงออกไป
- ▶ หากชิ้นงานหรือใบเลื่อยเกิดติดขัด ให้ปิดสวิทช์เลื่อยตัดองศา รอให้ชิ้นส่วนที่เคลื่อนไหวทั้งหมดหยุดนิ่งอยู่กับที่และถอดปลั๊กไฟออกจากแหล่งจ่ายไฟ และ/หรือถอดแบตเตอรี่แพ็คเกจออกจากนั้นจึงเอวี่สุดที่ติดขัดออกมา การเลื่อยชิ้นงานที่ติดขัดต่อไป อาจทำให้สูญเสียการควบคุม หรือเลื่อยตัดองศาอาจเสียหายได้
- ▶ เมื่อตัดเสร็จแล้ว ให้ปล่อยนิ้วจากสวิทช์ จับหัวเครื่องเลื่อยลง และรอให้ใบเลื่อยหยุดนิ่งอยู่กับที่ก่อนเอาชิ้นงานที่ถูกตัดออกมา การเอื้อมมือของท่านเข้าไปใกล้ใบเลื่อยที่วิ่งด้วยแรงเฉื่อยเป็นการกระทำที่อันตราย
- ▶ จับตามจับอย่างแน่นหนาเมื่อทำการตัดที่ไม่สมบูรณ์ หรือเมื่อปล่อยนิ้วจากสวิทช์ก่อนที่หัวเครื่องเลื่อยจะอยู่ในตำแหน่งลงอย่างสมบูรณ์ การเบรคเครื่องเลื่อยอาจทำให้หัวเครื่องเลื่อยถูกดึงลงด้านล่างอย่างกะทันหัน ทำให้เสี่ยงต่อการได้รับบาดเจ็บ

- ▶ รักษาสถานที่ทำงานให้สะอาด การผสมผสานของวัสดุเป็นอันตรายอย่างยิ่งฝุ่นละอองโลหะอาจเผาไหม้หรือระเบิดได้
- ▶ อย่าใช้ใบเลื่อยที่ทุ้ แคร็กว้า คดงอ หรือชำรุด ใบเลื่อยที่ทุ้หรือปรับตั้งไว้ไม่ถูกต้องจะตัดรอยตัดแคบ ทำให้มีการเสียดสีมากเกินปกติ ใบเลื่อยติดขัดและเกิดการตีกลับ
- ▶ อย่าใช้ใบเลื่อยที่ทำจากเหล็กกล้ารอบสูง (High Speed Steel, HSS) ใบเลื่อยนี้แตกง่าย
- ▶ ใช้ใบเลื่อยที่มีขนาดและรูปทรงรูปรีที่ถูกต้องเสมอ (สี่เหลี่ยมขนมเปียกปูนหรือกลม) ใบเลื่อยที่ไม่เข้าชุดกับอุปกรณ์ติดตั้งของเครื่องเลื่อยจะวิ่งไม่อยู่กึ่งกลางและทำให้สูญเสียการควบคุม
- ▶ อย่านำเศษตกค้างจากการตัด เศษโลหะ และอื่นๆ ออกจากบริเวณตัดขณะเครื่องกำลังวิ่งอยู่ ต้องนำแขนเครื่องมือกลับไปที่ตำแหน่งกลางก่อนเสมอ และจากนั้นจึงปิดสวิทช์เครื่อง
- ▶ เมื่อสิ้นสุดการทำงาน อย่าสัมผัสใบเลื่อยก่อนที่ใบเลื่อยจะเย็นลง ใบเลื่อยจะร้อนขึ้นมากขณะทำงาน

สัญลักษณ์

สัญลักษณ์ต่อไปนี้มีความสำคัญต่อการใช้เครื่องมือไฟฟ้าของท่าน กรุณาจดจำสัญลักษณ์และความหมาย การแปลความสัญลักษณ์ได้ถูกต้องจะช่วยให้ท่านใช้เครื่องมือไฟฟ้าได้ดีและปลอดภัยกว่า

สัญลักษณ์และความหมายของสัญลักษณ์	
	เอามือออกจากบริเวณตัดขณะเครื่องกำลังวิ่ง อันตรายจากการบาดเจ็บเมื่อไปสัมผัสกับใบเลื่อย
	สวมหน้ากากป้องกันฝุ่น
	สวมแว่นตาป้องกันอันตราย

สัญลักษณ์และความหมายของสัญลักษณ์



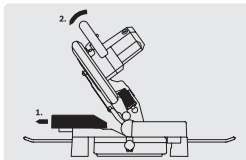
สวมอุปกรณ์ป้องกันเสียง การรับฟังเสียงดังอาจทำให้สูญเสียการได้ยิน



บริเวณอันตราย! เงามือ นิ้ว หรือแขนออกจากบริเวณนี้

Ø 254mm Ø 25,4mm

สังเกตขนาดของใบเลื่อย
เส้นผ่าศูนย์กลางรูต้องเข้ากับแกนเครื่องมือโดยไม่มีช่องหลวม หากจำเป็นต้องใช้ตัวลดขนาด ให้ตรวจสอบให้แน่ใจว่าขนาดของตัวลดนั้นตรงกับความหนาใบ และเส้นผ่าศูนย์กลางรูของใบเลื่อย รวมทั้งเส้นผ่าศูนย์กลางของแกนเครื่องมือ หากเป็นไปได้ให้ใช้ตัวลดขนาดที่จัดส่งมาพร้อมกับใบเลื่อย
เส้นผ่าศูนย์กลางใบเลื่อยต้องสอดคล้องกับข้อมูลบนสัญลักษณ์



เมื่อตัดมุมเอียงในแนวตั้ง ต้องดึงแผ่นกันปรับได้ออกด้านนอกหรือถอดออกไป

รายละเอียดผลิตภัณฑ์และข้อมูล

จำเพาะ



อ่านคำเตือนเพื่อความปลอดภัยและคำแนะนำทั้งหมด การไม่ปฏิบัติตามคำเตือนและคำสั่งอาจเป็นสาเหตุให้ถูกไฟฟ้าดูด เกิดไฟไหม้และ/หรือได้รับบาดเจ็บอย่างร้ายแรง
กรุณาดูภาพประกอบในส่วนของคู่มือการใช้งาน

ประโยชน์การใช้งานของเครื่อง

เครื่องมือไฟฟ้านี้เป็นเครื่องประจำที่ ใช้สำหรับตัดเป็นแนวตรงทั้งตามยาวและตามขวาง สามารถตัดมุมเอียงในแนวนอนจาก -47° ถึง $+52^\circ$ และมุมเอียงในแนวตั้งจาก 0° ถึง 45°
เครื่องมือไฟฟ้านี้ออกแบบให้มีความปลอดภัยสำหรับเลื่อยไม้เนื้ออ่อนและเนื้อแข็ง พาร์ติเคิลบอร์ดและไฟเบอร์บอร์ด รวมทั้งอะลูมิเนียมและพลาสติก

ส่วนประกอบที่แสดงภาพ

ลำดับเลขของส่วนประกอบผลิตภัณฑ์อ้างอิงถึงส่วนประกอบของเครื่องที่แสดงในหน้าภาพประกอบ

- (1) กระจับป้องกันใบเลื่อย
- (2) คันสำหรับปลดแขนเครื่องมือ
- (3) ตั้มาจับ
- (4) สวิทช์เปิด-ปิด
- (5) กระจับป้องกันใบเลื่อยชนิดชักกรันได้
- (6) แผ่นกัน
- (7) โตะเลื่อย
- (8) รูสำหรับแคลมป์ยึดวัสดุ
- (9) แผ่นสอด
- (10) ลูกบิดล็อกสำหรับมุมเอียงทั้งหมด (แนวนอน)
- (11) คันปรับมุมเอียง (แนวนอน)
- (12) เข็มชี้มุมสำหรับมุมเอียง (แนวนอน)
- (13) มาตรฐานสำหรับมุมเอียง (แนวนอน)
- (14) รูสำหรับติดตั้ง
- (15) ตั้มาจับเว้า
- (16) รูสำหรับห้วงเหล็กขยาย
- (17) แผ่นกันปรับได้
- (18) แคลมป์ยึดวัสดุ
- (19) ลูกเก็บผง
- (20) กระจับเบี่ยงเศษโลหะ
- (21) น็อตปึกสำหรับยึดแผ่นกันปรับได้
- (22) ประแจขันหกเหลี่ยม (6 มม.)/ไขควงปากแฉก

- (23) สกรูหยุดสำหรับมุมเอียง 45° (แนวตั้ง)
- (24) ขาหมุนกันเสียง
- (25) ช่องพ่นซีกับออก
- (26) ด้ามหนีบสำหรับมุมเอียงทั้งหมด (แนวตั้ง)
- (27) ล็อคนิรภัยสำหรับขนย้าย
- (28) คันจับขนย้าย
- (29) ล็อคแกน
- (30) สกรูปรับก้านวัดความลึก
- (31) เข็มชี้มุมสำหรับมุมเอียง (แนวตั้ง)
- (32) มาตรการส่วนสำหรับมุมเอียง (แนวตั้ง)
- (33) สกรูหยุดสำหรับมุมเอียง 0° (แนวตั้ง)
- (34) รูสำหรับขาหมุนกันเสียง
- (35) ชุดยึด "ขาหมุนกันเสียง"
- (36) ห่วงเหล็กขยาย
- (37) สกรูยึดสำหรับห่วงเหล็กขยาย
- (38) สกรูชนิดหัวแฉก (ยึดกระบังป้องกันใบเลื่อยชนิดชัก
รันได้)
- (39) สกรูหัวจมหมกเหลี่ยมสำหรับยึดใบเลื่อย
- (40) น็อตยึด
- (41) ใบเลื่อย
- (42) น็อตยึดด้านใน
- (43) น็อตปิกสำหรับปรับความสูงของก้านหมุนเกลียว
- (44) ก้านหมุนเกลียว
- (45) ช่องกักสำหรับมุมเอียงมาตรฐาน (แนวนอน)
- (46) สกรูสำหรับแผ่นสอด
- (47) สกรูหัวจมหมกเหลี่ยมของแผ่นกัน
- (48) สกรูสำหรับเข็มชี้มุม (แนวตั้ง)

ข้อมูลทางเทคนิค

แทนต์คองศา	GCM 10 MX
หมายเลขสินค้า	3 601 M29 0..

แทนต์คองศา		GCM 10 MX
กำลังไฟฟ้าที่ติดตั้งเข้า	วัตต์	1700
ความเร็วรอบเดินตัวเปล่า	นาที ⁻¹	4800
น้ำหนักตามระเบียบการ EPTA- Procedure 01:2014	กก.	16.8
ระดับความปลอดภัย		☐/
ขนาดชิ้นงานที่อนุญาต (สูงสุด/ต่ำสุด): (ดู "ขนาดชิ้นงานที่อนุญาต", หน้า 60)		
ค่าที่ให้ไว้ใช้ได้กับแรงดันไฟฟ้าอิมินอล [U] 230 โวลท์ค่าเหล่านี้ นี้อาจเปลี่ยนแปลงไปสำหรับแรงดันไฟฟ้าที่แตกต่างกัน และโมเดลที่ผลิตสำหรับเฉพาะประเทศ		
ขนาดของใบเลื่อยที่เหมาะสม		
เส้นผ่าศูนย์กลางใบเลื่อย	มม.	254
ความหนาใบ	มม.	1.8-2.8
เส้นผ่าศูนย์กลางรูประกอบ	มม.	25.4

ข้อมูลเสียง

ค่าการปล่อยเสียงกำหนดตาม EN 62841-3-9

ตามปกติระดับเสียงแบบถ่วงน้ำหนัก-A ของเครื่องมือไฟฟ้า
คือ: ระดับความดันเสียง 92 dB(A); ระดับกำลังเสียง

105 dB(A) ความคลาดเคลื่อน K= 3 dB

สวมอุปกรณ์ป้องกันเสียงดัง!

ค่าการปล่อยเสียงที่ให้ไว้ในคำแนะนำนี้ประเมินตามมาตรฐาน
การทดสอบ และสามารถใช้สำหรับเปรียบเทียบเครื่องมือ
ไฟฟ้าซึ่งกันและกันค่าการปล่อยเสียงนี้ยังเหมาะสำหรับใช้
ประเมินการปล่อยเสียงเบื้องต้นอีกด้วย

ค่าการปล่อยเสียงที่ระบุไว้หมายถึงการใช้งานหลักของเครื่อง
มือไฟฟ้าอย่างไรก็ตาม การนำเครื่องมือไฟฟ้าไปใช้งานอย่าง
อื่น ใช้กับอุปกรณ์ประกอบที่ต่างไป หรือได้รับการบำรุงรักษา
ไม่ดีพอ อาจทำให้มีค่าการปล่อยเสียงที่แตกต่างไปในลักษณะ
นี้การปล่อยเสียงในช่วงการทำงานทั้งหมดอาจเพิ่มขึ้นอย่าง
ชัดเจน

สำหรับการประเมินการปล่อยเสียงที่ถูกต้อง ควรนำเวลาที่
เครื่องมือไฟฟ้าปิดสวิทช์หรือกำลังวิ่งอยู่แต่ไม่ได้ทำงานจริง
มาพิจารณาด้วยในลักษณะนี้การปล่อยเสียงในช่วงการทำงาน
ทั้งหมดอาจลดลงอย่างชัดเจน

การติดตั้ง

- ▶ **หลีกเลี่ยงอย่าให้เครื่องติดขึ้นเองโดยไม่ตั้งใจ ขณะติดตั้งและเมื่อทำการปรับแต่งใดๆ ที่เครื่องมือไฟฟ้า ต้องไม่ต่อปลั๊กไฟฟ้าเข้ากับแหล่งจ่ายไฟฟ้าหลัก**

รายการสิ่งของที่จัดส่ง



กรุณาสังเกตภาพประกอบรายการสิ่งของที่จัดส่งในตอนต้นของคู่มือการใช้งาน

- ก่อนใช้เครื่องทำงานเป็นครั้งแรก ให้ตรวจสอบว่าชิ้นส่วนทั้งหมดที่ระบุด้านล่างนี้ได้จัดส่งมาด้วยหรือไม่:
- แท่นตัดตองศาพร้อมใบเลื่อยติดตั้งมาแล้ว
 - ถุงเก็บผง (19)
 - แคลมป์ยึดวัสดุ (18)
 - ประแจขันทกเหลี่ยม/ไขควงปากแฉก (22)
 - ขาหนุนกันเอียง (24) พร้อมชุดยึด (35) (สกรู 2 ตัว แหวนรอง 2 ชิ้น น็อตสี่เหลี่ยม 2 ตัว)

หมายเหตุ: ตรวจสอบเครื่องมือไฟฟ้าเพื่อหาจุดชำรุดที่อาจมีก่อนใช้เครื่องมือไฟฟ้าต่อไปต้องตรวจสอบอุปกรณ์ป้องกันอันตรายว่าทำงานอย่างถูกต้องหรือไม่ ส่วนชำรุดเล็กน้อยใดๆ ต้องได้รับการตรวจสอบอย่างละเอียดถี่ถ้วนเพื่อจะได้มั่นใจว่าเครื่องจะทำงานได้อย่างไม่มีข้อบกพร่อง ตรวจสอบชิ้นส่วนที่เคลื่อนไหวว่าทำงานอย่างถูกต้องและติดขัดหรือไม่ หรือมีชิ้นส่วนเสียหายหรือไม่ ชิ้นส่วนทั้งหมดต้องติดตั้งอย่างถูกต้องและตรงตามเงื่อนไขทั้งหมดเพื่อให้แน่ใจว่าจะทำงานได้อย่างไม่ผิดพลาด ท่านต้องส่งเครื่องไปยังโรงซ่อมที่เชี่ยวชาญและเป็นที่ยอมรับเพื่อการซ่อมแซมหรือเปลี่ยนอุปกรณ์ป้องกันอันตรายและชิ้นส่วนที่เสียหายอย่างถูกต้อง

การติดตั้งส่วนประกอบแต่ละชิ้น

- นำชิ้นส่วนทั้งหมดที่จัดส่งมาออก จากหีบห่ออย่างระมัดระวัง
- นำวัสดุหีบห่อทั้งหมดออกจากเครื่องมือไฟฟ้าและอุปกรณ์ประกอบที่จัดส่งมา

การติดตั้งขาหนุนกันเอียง (รูปภาพประกอบ A)

ต้องติดตั้งขาหนุนกันเอียง (24) ก่อนใช้เครื่องมือไฟฟ้าทำงานเป็นครั้งแรก

สำหรับการติดตั้งให้ใช้ชุดยึด "ขาหนุนกันเอียง" (35)

- ใส่น็อตสี่เหลี่ยม (35) เข้าไปในรู (34) ที่มีไว้สำหรับวัตถุประสงค์นี้ในแผ่นฐาน
- ใส่แหวนรอง (35) เข้าบนสกรูยึด (35) และขันขาหนุนกันเอียง (24) เข้าไปในน็อตที่ติดตั้งไว้แล้ว
- ▶ **อย่าถอดขาหนุนกันเอียงออกอย่างเด็ดขาด** หากไม่ใช้ขาหนุนกันเอียง เครื่องมือไฟฟ้าจะตั้งอยู่อย่างไม่ปลอดภัยและอาจพลิกคว่ำได้โดยเฉพาะเมื่อเลื่อยมุมเอียงมากสุด

การติดตั้งห่วงเหล็กขยาย (รูปภาพประกอบ B)

- ต้องหมุนส่วนปลายของชิ้นงานที่หนักและมีขนาดยาวที่ลอยอยู่เมื่อต้องการขยายโต๊ะเลื่อยออกไปอีก ให้ประกอบห่วงเหล็กขยายเข้ากับทางดำเนินซ้ายและขวาของเครื่องมือไฟฟ้า
- ใส่ห่วงเหล็กขยาย (36) เข้าที่ด้านข้างทั้งสองด้านของเครื่องมือไฟฟ้าจนสุดโดยสอดเข้าไปในรู (16) ที่มีไว้สำหรับวัตถุประสงค์นี้
 - ขันสกรูยึด (37) เพื่อยึดห่วงเหล็กขยายให้แน่น

การติดตั้งแบบประจำที่หรือแบบคล่องตัว

- ▶ **เพื่อควบคุมเครื่องให้ได้อย่างปลอดภัย ก่อนใช้งานต้องติดตั้งเครื่องบนพื้นผิวที่มั่นคงและราบเสมอกัน (ต. ย. เช่น โต๊ะทำงานของช่าง)**

การติดตั้งบนพื้นผิวทำงาน (รูปภาพประกอบ C1-C2)

- ยึดเครื่องมือไฟฟ้าเข้ากับพื้นผิวทำงานด้วยสกรูยึดที่เหมาะสม สำหรับการยึดให้ใช้รู (14)

หรือ

- หนีบฐานของเครื่องมือไฟฟ้าเข้ากับพื้นผิวทำงานให้แน่นด้วยแคลมป์ยึดวัสดุที่มีจำหน่ายทั่วไป

การติดตั้งบนโต๊ะเลื่อย บ็อกซ์

โต๊ะเลื่อย GTA ของ บ็อกซ์ มีขาที่ปรับความสูงได้ จึงสามารถค้ำพุงเครื่องมือไฟฟ้าบนทุกพื้นผิว แทนรองรับชิ้นงานของโต๊ะเลื่อยใช้สำหรับรองรับชิ้นงานที่มีขนาดยาว

- ▶ **อ่านคำเตือนเพื่อความปลอดภัยและคำสั่งทั้งหมดที่แนบมากับโต๊ะเลื่อย** การไม่ปฏิบัติตามคำเตือนเพื่อความปลอดภัยและคำสั่งอาจเป็นสาเหตุให้ถูกไฟฟ้าดูด เกิดไฟไหม้ และ/หรือได้รับบาดเจ็บอย่างร้ายแรง

▶ ประกอบโต๊ะเลื่อยอย่างถูกต้องก่อนติดตั้งเครื่อง

- มือไฟฟ้า** การประกอบที่ถูกต้องเป็นสิ่งสำคัญ ทั้งนี้เพื่อป้องกันความเสี่ยงจากการลัมพ์
- ติดตั้งเครื่องมือไฟฟ้าในตำแหน่งขนย้ายบนโต๊ะเลื่อย

การดูดฝุ่น/ซีเลื่อย

- ฝุ่นที่ได้จากวัสดุ เช่น เคลือบผิวที่มีสารตะกั่ว ไม้ยางประเภท แร่ธาตุ และโลหะ อาจเป็นอันตรายต่อสุขภาพ การสัมผัสหรือการหายใจเอาฝุ่นเข้าไปอาจทำให้เกิดปฏิกิริยาแพ้ฝุ่น และ/หรือนำมาซึ่งโรคติดเชื้อระบบหายใจแก่ผู้ใช้เครื่องหรือผู้ที่ยืนอยู่ใกล้เคียง
- ฝุ่นบางประเภท เช่น ฝุ่นไม้โอ๊ก หรือไม้มีซัง นับเป็นสารที่ทำให้เกิดมะเร็ง โดยเฉพาะอย่างยิ่งเมื่อผสมกับสารเติมแต่งเพื่อบำบัดไม้ (โครเมต ผลิตภัณฑ์รักษาเนื้อไม้) สำหรับวัสดุที่มีแอลเบสทอลสตองให้ผู้ใช้สวมหน้ากากทำงานเท่านั้น
- ใช้ระบบดูดฝุ่นออกที่เหมาะสมกับประเภทวัสดุ มากเท่าที่จะทำได้
- จัดสถานที่ทำงานให้มีกระแสลมอากาศที่ดี
- ขอแนะนำให้สวมหน้ากากป้องกันการติดเชื้อที่มีระดับ-ไลกรอง P2

ปฏิบัติตามกฎข้อบังคับสำคัญอื่นๆ ที่เกี่ยวกับวัสดุชิ้นงานที่บังคับใช้ในประเทศของท่าน

▶ ป้องกันการสะสมของฝุ่นในสถานที่ทำงาน

- ฝุ่นสามารถลุกไหม้ได้ง่ายดาย
- อุปกรณ์ดูดฝุ่น/ซีเลื่อยอาจอุดตันด้วยฝุ่น ซีเลื่อย หรือสะเก็ดชิ้นงาน
- ปิดสวิทช์เครื่อง และดึงปลั๊กไฟออกจากเต้าเสียบ
- รอจนใบเลื่อยหยุดสนิท
- ทาสีอุดของการอุดตันและทำการแก้ไข

การดูดฝุ่นในตัว (คุณภาพประกอบ D)

เพื่อความสะอาดในการเก็บเศษผง ให้ใช้ถุงเก็บผง (19) ที่จัดส่งมา

- สวมถุงเก็บผง (19) เข้าบนช่องพ่นซีกับออก (25)

ขณะเลื่อย ถุงเก็บผงต้องไม่สัมผัสกับส่วนของเครื่องที่เคลื่อนไหวได้ ถ่ายถุงเก็บผงให้ทันทีที่เสมอ

▶ ตรวจสอบและทำความสะอาดถุงเก็บผงทุกครั้งหลังใช้งาน

▶ เมื่อต้องการเลื่อยอะลูมิเนียม

ให้ถอดถุงเก็บผงออกเพื่อหลีกเลี่ยงอันตรายจากไฟไหม้

การดูดฝุ่นด้วยเครื่องดูดฝุ่นภายนอก

สำหรับการดูดฝุ่นออก ตรงช่องพ่นซีกับออก (25) ท่านยังสามารถเชื่อมต่อท่อของเครื่องดูดฝุ่น (Ø 35 มม.) ได้ด้วย

- เชื่อมต่อท่อดูดฝุ่นเข้ากับช่องพ่นซีกับออก (25)

เครื่องดูดฝุ่นต้องมีลักษณะการใช้งานที่เหมาะสมกับประเภทวัสดุชิ้นงาน

ในกรณีดูดฝุ่นแห้งที่เป็นอันตรายต่อสุขภาพอย่างยิ่งหรืออาจก่อให้เกิดมะเร็งได้ ให้ใช้เครื่องดูดฝุ่นพิเศษ

การเปลี่ยนใบเลื่อย (คุณภาพประกอบ E1-E3)

▶ ดึงปลั๊กไฟออกจากเต้าเสียบก่อนปรับแต่งเครื่อง

- ▶ สวมถุงมือป้องกันอันตรายเมื่อติดตั้งใบเลื่อย** เมื่อสัมผัสใบเลื่อยจะเสี่ยงต่อการได้รับบาดเจ็บ

ใช้เฉพาะใบเลื่อยที่มีความเร็วสูงสุดที่อนุญาตสูงกว่าความเร็วรอบตัวเปล่าของเครื่องมือไฟฟ้าของท่าน

ใช้เฉพาะใบเลื่อยที่

มีคุณสมบัติสอดคล้องกับข้อมูลที่ระบุไว้ในหนังสือคู่มือการใช้งานเล่มนี้ และที่ผ่านการทดสอบและทำเครื่องหมายตาม EN 847-1

ใช้เฉพาะใบเลื่อยที่บริษัทผู้ผลิตเครื่องมือไฟฟ้าแนะนำให้ใช้ และใบเลื่อยที่เหมาะสมสำหรับเลื่อยวัสดุที่ต้องการตัด ในลักษณะนี้ช่วยป้องกันไม่ให้ฟันเลื่อยร้อนเกินไปขณะตัด

การถอดใบเลื่อย

- วางเครื่องมือไฟฟ้าในตำแหน่งทำงาน
- กดคันปลด (2) และหมุนกระบังป้องกันใบเลื่อยชนิดซักรันได้ (5) ไปทางด้านหลังจนสุด
- จับกระบังป้องกันใบเลื่อยชนิดซักรันได้ไว้ในตำแหน่งนี้
- คลายสลกรู (38) ออกด้วยไขควงปากแฉก (22) ที่จัดส่งมา จนตัวยึดของกระบังป้องกันใบเลื่อยชนิดซักรันได้สามารถหันไปทางด้านท้ายจนสุดด้วยเช่นกัน
- หมุนสลกรูหัวจมทกเหลี่ยม (39) ด้วยประแจขันทกเหลี่ยม (22) ที่จัดส่งมา และในขณะที่เดียวกันให้กดลอคแกน (29) จนขบเข้าที่
- กดลอคแกน (29) ค้างไว้ และขันสลกรู (39) ออกในทิศทางเข็มนาฬิกา (เกลียวซ้าย!)
- ถอดน็อตยึด (40) ออก
- ถอดใบเลื่อย (41) ออก

การติดตั้งใบเลื่อย

ก่อนการประกอบ ให้ทำความสะอาดชิ้นส่วนทั้งหมดที่จะติดตั้ง หากจำเป็น

- ประกอบใบเลื่อยใหม่เข้ากับนอตยึดด้านใน (42)

▶ เมื่อประกอบใบเลื่อย ต้องเอาใจใส่ให้ทิศทางตัดของฟัน (ทิศทางลูกศรบนใบเลื่อย) ชี้ไปทางเดียว

กับทิศทางของลูกศรบนกระบังป้องกันใบเลื่อย!

- โส้มนอตยึด (40) และสกรู (39) กดล็อกแกน (29) จนพบเข้าที่ และขันสกรูเข้าให้แน่นโดยหมุนในทิศทวนเข็มนาฬิกา
- ดันกระบังป้องกันใบเลื่อยชนิดซักรันได้ (5) ลงไปข้างหน้า จนสกรู (38) ขบเข้าในส่วนเว้าที่ลงรอยกัน สำหรับการติดตั้งกล่าว ท่านอาจต้องจับแขนเครื่องมือตรงตามจุดด้านไว้เพื่อให้ได้ความตึงของกระบังป้องกันใบเลื่อยชนิดซักรันได้
- ยึดกระบังป้องกันใบเลื่อยชนิดซักรันได้ (5) กลับให้แน่นอีกครั้ง (ขันสกรู (38) ให้แน่น)
- กดคันปลด (2) และนำกระบังป้องกันใบเลื่อยชนิดซักรันได้ กลับลงด้านล่างอีกครั้ง

▶ เมื่อติดตั้งนอตยึด ต้องตรวจสอบให้แน่ใจว่าด้านกว้างหันไปทางใบเลื่อย หากติดตั้งกลับด้าน จะไม่สามารถยึดใบเลื่อยให้แน่นได้

การปฏิบัติงาน

▶ ดึงปลั๊กไฟออกจากเต้าเสียบก่อนปรับแต่งเครื่อง

ล๊อคนิรภัยสำหรับขนย้าย (คุณภาพประกอบ F)

ล๊อคนิรภัยสำหรับขนย้าย (27) ทำให้สามารถจับถือเครื่องมือไฟฟ้าได้สะดวกเมื่อขนย้ายไปยังสถานที่ทำงานต่างๆ

การปลดเครื่อง (ตำแหน่งทำงาน)

- ดันแขนเครื่องมือตรงตามจับ (3) ลงเล็กน้อยเพื่อคลายล๊อคนิรภัยสำหรับขนย้าย (27)
- ดึงล๊อคนิรภัยสำหรับขนย้าย (27) ออกมาด้านนอกทั้งหมด
- เลื่อนแขนเครื่องมือขึ้นอย่างช้าๆ

หมายเหตุ: เมื่อทำงาน ต้องตรวจสอบให้แน่ใจว่าล๊อคนิรภัยสำหรับขนย้ายไม่ถูกกดเข้าด้านใน มิฉะนั้นจะไม่สามารถปลดแขนเครื่องมือลงต่ำถึงความลึกการตัดที่ต้องการได้

การรัดเครื่อง (ตำแหน่งขนย้าย)

- หมุนก้านวัดความลึก เข้าข้างในเพื่อให้แขนเครื่องมือตรงตามจับ (3) สามารถหมุนลงด้านล่างได้ทั้งหมด
 - กดคันปลด (2) และในขณะที่เดียวกันให้หมุนแขนเครื่องมือตรงตามจับ (3) ลงด้านล่างจนสามารถดันล๊อคนิรภัยสำหรับขนย้าย (27) เข้าข้างในทั้งหมด
- ตอนนี้แขนเครื่องมือถูกล๊อคอย่างแน่นหนาเพื่อการขนย้าย

การเตรียมการทำงาน

การเลื่อนแผ่นกัน (คุณภาพประกอบ G)

เมื่อเลื่อยมุมเฉียงในแนวตั้ง ต้องเลื่อนแผ่นกันปรับได้ (17)

- คลายนอตปิก (21) ออก
- ดึงแผ่นกันปรับได้ (17) ออกมาด้านนอกทั้งหมด
- ขันนอตปิก (21) กลับให้แน่นอีกครั้ง

หลังจากเลื่อยมุมเฉียงในแนวตั้ง ให้ดันแผ่นกันปรับได้ (17)

กลับ (คลายนอตปิก (21) ออก เลื่อนแผ่นกัน (17) เข้าด้านในทั้งหมด ขันนอตปิกกลับให้แน่นอีกครั้ง)

การหนีบชิ้นงาน (คุณภาพประกอบ H)

เพื่อความปลอดภัยสูงสุดขณะทำงาน ต้องหนีบชิ้นงานให้แน่นเสมอ

อย่าเลื่อยชิ้นงานที่มีขนาดเล็กมากจนยึดหนีบไม่ได้

- กดชิ้นงานเข้าหาแผ่นกัน (6) และ (17) อย่างมั่นคง
- โส้แคลมป์ยึดวัสดุ (18) ที่จัดส่งมาเข้าในรู (8) ที่มีไว้สำหรับวัสดุประสงค์นี้
- คลายนอตปิก (43) ออก และปรับแคลมป์ยึดวัสดุให้เข้ากับชิ้นงาน ขันนอตปิกกลับให้แน่นอีกครั้ง
- ขันก้านหมุนเกลียว (44) ให้แน่น และด้วยเหตุนี้ชิ้นงานจึงถูกยึดแน่น

การปลดชิ้นงาน

- เมื่อต้องการปลดแคลมป์ยึดวัสดุ ให้หมุนก้านหมุนเกลียว (44) ไปในทิศทวนเข็มนาฬิกา

การปรับมุมเฉียงในแนวอนและแนวตั้ง

▶ ดึงปลั๊กไฟออกจากเต้าเสียบก่อนปรับแต่งเครื่อง

เพื่อให้แน่ใจว่าจะตัดชิ้นงานได้อย่างแม่นยำ หลังการใช้งาน หน้าที่ท่านต้องตรวจสอบการปรับพื้นฐานของเครื่องมือไฟฟ้า

และปรับตั้ง หากจำเป็น
สำหรับเรื่องนี้ท่านต้องมีประสบการณ์และเครื่องมือพิเศษที่
สอดคล้องกัน

ศูนย์บริการลูกค้า บอช
ให้บริการบำรุงรักษาได้รวดเร็วและเชื่อถือได้

► **ขันลูกบิดลอค (10)** ให้แน่นทุกครั้งก่อนทำการเสียบ มิ
ฉะนั้นใบเลื่อยอาจติดขัดในชิ้นงานได้

การปรับมุมเอียงในแนวนอน (รูปภาพประกอบ I)

มุมเอียงในแนวนอนสามารถตั้งได้ในช่วงตั้งแต่ 47° (ด้าน
ซ้าย) ถึง 52° (ด้านขวา)

- คลายลูกบิดลอค (10) ออกจากถูกขันแน่น
- กัดขันปรับ (11) หมุนโต๊ะเลื่อย (7) ตรงลูกบิดลอคไปทาง
ซ้ายหรือขวา และตั้งมุมเอียงในแนวนอนที่ต้องการโดยใช้
เข็มชี้มุม (12) ช่วย
- ขันลูกบิดลอค (10) กลับให้แน่นอีกครั้ง

สำหรับการตั้งมุมเอียงในแนวนอนที่ซับซ้อนให้ได้รวดเร็ว
และแม่นยำให้ใช้ช่องกัก (45) ที่โต๊ะเลื่อย:

ซ้าย	ขวา
0°	
45°; 30°; 22.5°; 15°	15°; 22.5°; 30°; 45°

- คลายลูกบิดลอค (10) ออกจากถูกขันแน่น
- กัดขันปรับ (11) และหมุนโต๊ะเลื่อย (7) ไปทางซ้ายหรือ
ขวาจนถึงช่องกักที่ต้องการ
- ปล่อนิ้วจากคันปรับ คันปรับต้องขบเข้าในช่อง
กักอย่างรู้สึกได้
- ขันลูกบิดลอค (10) กลับให้แน่นอีกครั้ง

การปรับมุมเอียงในแนวตั้ง (รูปภาพประกอบ J)

มุมเอียงในแนวตั้งสามารถตั้งได้ในช่วงตั้งแต่ 0° ถึง 45°

- คลายคันหนีบ (26) ออก
- หมุนแขนเครื่องมือตรงด้ามจับ (3) จนเข็มชี้มุม (31) ชี้ไป
ที่มุมเอียงในแนวตั้งที่ต้องการ
- จับแขนเครื่องมือในตำแหน่งนี้และขันคันหนีบ (26) กลับให้
แน่นอีกครั้ง

สำหรับการตั้งมุมมาตรฐาน 0° และ 45° ให้ได้รวดเร็วและ
เที่ยงตรง ให้ใช้สกรูหยุด ((33) และ (23)) ที่ตั้งมาจาก
โรงงาน

- คลายคันหนีบ (26) ออก
- หมุนแขนเครื่องมือตรงด้ามจับ (3) ไปทางขวาจนสุด (0°)
หรือไปทางซ้ายจนสุด (45°)
- ขันคันหนีบ (26) กลับให้แน่นอีกครั้ง

การเริ่มต้นปฏิบัติงาน

► ให้สังเกตแรงดันไฟฟ้า! แรง
ดันไฟฟ้าจากแหล่งจ่ายไฟฟ้าต้องมีค่าตรงกับค่าแรง
ดันไฟฟ้าที่ระบุไว้บนแผ่นป้ายกำกับเครื่อง
ไฟฟ้าที่มีเครื่องหมาย 230 โวลต์ สามารถใช้งานกับ
220 โวลต์ ได้ด้วย

เปิดสวิตช์ (รูปภาพประกอบ K)

- เมื่อต้องการ**เริ่มต้นปฏิบัติงาน** ให้กดสวิตช์เปิด-ปิด (4)
และกดค้างไว้

หมายเหตุ: ด้วยเหตุผลด้านความปลอดภัย จึงไม่สามารถลอค
สวิตช์เปิด-ปิด (4) ได้ จะต้องกดสวิตช์เปิด-ปิดตลอดเวลา
ปฏิบัติงาน

ท่านสามารถจับแขนเครื่องมือตันทันล่างได้เมื่อได้กดคัน
ปลด (2) แล้วเท่านั้น

- ดึงนั้นสำหรับการ**เสียบ** นอกจากต้องกดสวิตช์เปิด-ปิด (4)
แล้วยังต้องกดคันปลด (2) อีกด้วย

ปิดสวิตช์

- เมื่อต้องการ**ปิดสวิตช์**ให้ปล่อยนิ้วจากสวิตช์เปิด-ปิด (4)

ข้อแนะนำในการทำงาน

คำแนะนำทั่วไปสำหรับการเสียบ

- **ขันลูกบิดลอค (10) และด้ามหนีบ (26) เข้าให้แน่น**
ก่อนเสียบเสมอ มิฉะนั้นใบเลื่อยอาจติดขัดในชิ้นงานได้
- **สำหรับการตัดทุกครั้ง ก่อนอื่นต้องทำให้มั่นใจว่าเป็น**
เสียบจะไม่ไปสัมผัสกับแผ่นกัน แคลมป์ยึดวัสดุ
หรือส่วนอื่นๆ ของเครื่องในทุกเวลา นำตัวหยุดเสริม
ใดๆ ที่ติดตั้งออกไปหรือหรือปรับให้เหมาะสม
ป้องกันใบเลื่อยไม่ให้ถูกกระแทกกระทั้น อย่ากดใบ
เลื่อยลงทางด้านข้าง

อย่าเลื่อยชิ้นงานที่บิดเบี้ยว ชิ้นงานต้องมีขอบตรงเสมอเพราะต้องประกบกับแผ่นกัน ต้องหมุนส่วนปลายของชิ้นงานที่หนักและมีขนาดยาวที่ลอยอยู่ ตรวจสอบให้แน่ใจว่ากระบังป้องกันใบเลื่อยชนิดชักกรันได้ทำงานอย่างถูกต้องและเคลื่อนไหวไปมาได้อย่างอิสระ เมื่อเลื่อนแขนเครื่องมือลง กระบังป้องกันใบเลื่อยชนิดชักกรันต้องเปิด เมื่อเลื่อนแขนเครื่องมือขึ้น กระบังป้องกันใบเลื่อยชนิดชักกรันได้ต้องปิดครอบใบเลื่อยอีกครั้ง และลือคอยู่ในตำแหน่งบนสุดของแขนเครื่องมือ เลื่อยเฉพาะวัสดุที่ได้รับอนุญาตในประโยชน์การใช้งานของเครื่องเท่านั้น

ตำแหน่งของผู้ใช้งานเครื่อง (รูปภาพประกอบ L)

▶ อาย่ายืนในแนวเดียวกับใบเลื่อยตรงหน้าเครื่อง ต้องยืน

เสียงไปทางด้านข้างใบเลื่อยเสมอ ในลักษณะ

นี้ร่างกายของท่านจะได้รับการปกป้องจากการตีกลับที่อาจเกิดขึ้น

- เอามือ นิ้ว และแขนออกห่างจากใบเลื่อยที่กำลังหมุน
- อย่าไขว่ขวายมือของท่านตรงด้านหน้าแขนเครื่องมือ

ขนาดชิ้นงานที่อนุญาต

ชิ้นงานสูงสุด:

มุมเอียง ในแนว นอน	มุมเอียง ในแนวตั้ง	สูง x กว้าง [มม.]	
		ที่ความสูงสูงสุด	ที่ความ กว้างที่สุด
0°	0°	89 x 89	62 x 130
45°	0°	86 x 67	65 x 91
0°	45°	44 x 95	32 x 130
45°	45°	44 x 67	32 x 91

ชิ้นงานต่ำสุด (= ชิ้นงานทั้งหมดที่สามารถหนีบเข้าทางซ้ายหรือขวาของใบเลื่อยด้วยแคลมป์หนีบเร็ว ที่จัดส่งมา): 110 x 130 มม. (ยาว x กว้าง)

ความรู้สึกการตัดสูงสุด (0°/0°): 89 มม.

การเปลี่ยนแผ่นสอด (รูปภาพประกอบ M)

แผ่นสอด (9) อาจสึกหรอหลังจากใช้งานเครื่องมือไฟฟ้าเป็นเวลานาน
เปลี่ยนแผ่นสอดที่ชำรุด

- วางเครื่องมือไฟฟ้าในตำแหน่งทำงาน
- ชนสกรู (46) ออกด้วยไขควงปากแฉก (22) ที่จัดส่งมา และถอดแผ่นสอดเก่าออก
- ชนแผ่นสอดเข้าไปทางขวาให้มากที่สุดด้วยสกรู (46) เพื่อใบเลื่อยจะไม่ไปสัมผัสกับแผ่นสอดตลอดความยาวการตัดทั้งหมด

การเลื่อย (การตัดออก)

- หนีบชิ้นงานตามขนาดของชิ้นงานให้แน่น
- ปรับมุมเอียงในแนวนอนและ/หรือแนวตั้งที่ต้องการ
- ปรับความสูงของสกรูปรับ (30) ในลักษณะให้สามารถตัดผ่านชิ้นงานได้ทั้งหมด
- เปิดสวิตช์เครื่องมือไฟฟ้า
- กดคันปลด (2) และเลื่อนแขนเครื่องมือตรงด้ามจับ (3) ลงอย่างช้าๆ
- เลื่อยผ่านชิ้นงานด้วยอัตราป้อนคงที่
- ปิดสวิตช์เครื่องมือไฟฟ้า และรอจนใบเลื่อยหยุดสนิท
- เลื่อนแขนเครื่องมือขึ้นอย่างช้าๆ

การปรับก้านวัดความลึก (การเลื่อยร่อง) (รูปภาพประกอบ

N)

หากท่านต้องการตัดร่อง จะต้องหมุนสกรูปรับ (30) ของก้านวัดความลึกตามเข็มนาฬิกา

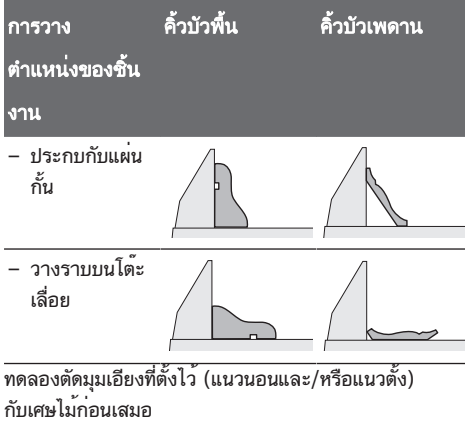
- หมุนแขนเครื่องมือตรงด้ามจับ (3) ไปที่ตำแหน่งที่ได้ความลึกร่องที่ต้องการ
- ชนสกรูปรับ (30) ตามเข็มนาฬิกาจนปลายสกรูสัมผัสครอบเครื่อง
- เลื่อนแขนเครื่องมือขึ้นอย่างช้าๆ

ชิ้นงานพิเศษ

เมื่อต้องการตัดชิ้นงานที่มีรูปทรงโค้งงอหรือทรงกลม ต้องยึดชิ้นงานเหล่านี้ให้แน่นเป็นพิเศษเพื่อป้องกันการสั่นไถล ที่เส้นตัดต้องไม่มีช่องว่างระหว่างชิ้นงาน แผ่นกัน และโต๊ะเลื่อยจัดเตรียมอุปกรณ์ยึดจับพิเศษ หากจำเป็น

การทำงานกับแผ่นรูปทรง

ท่านสามารถเลื่อยแผ่นรูปทรงได้สองแบบต่างๆ กัน:



การตรวจสอบและปรับตั้งการปรับพื้นฐาน

เพื่อให้แน่ใจว่าจะติดตั้งงานได้อย่างแม่นยำ หลังการใช้งาน นักช่างต้องตรวจสอบการปรับพื้นฐานของเครื่องมือไฟฟ้าและปรับตั้ง หากจำเป็น สำหรับเรื่องนี้ท่านต้องมีประสบการณ์และเครื่องมือพิเศษที่สอดคล้องกัน

ศูนย์บริการลูกค้า บอช
ให้บริการบำรุงรักษาได้รวดเร็วและเชื่อถือได้

การวางแนวแผ่นกัน

- วางเครื่องมือไฟฟ้าในตำแหน่งขนาน
- หมุนโต๊ะเลื่อย (7) ไปจนถึงช่องกัก (45) สำหรับ 0° คันปรับ (11) ต้องขบเข้าในช่องกักอย่างรู้สึกได้
- ดึงแผ่นกันปรับได้ (17) ออกมาด้านนอกทั้งหมด

การตรวจสอบ (รูปภาพประกอบ O1)

- ปรับอุปกรณ์วัดมุมที่ 90° และวางราบทาบกับใบเลื่อย (41) ระหว่างแผ่นกัน (6) และใบเลื่อยบนโต๊ะเลื่อย (7) ขาของอุปกรณ์วัดมุมต้องทาบเรียบกับแผ่นกันตลอดความยาวทั้งหมด

การปรับ (รูปภาพประกอบ O2)

- คลายสลกรูหัวจมทกเหลี่ยมทั้งหมด (47) ออกด้วยประแจขันทกเหลี่ยม (22) ที่จัดส่งมา
- หมุนแผ่นกัน (6) ไปจนอุปกรณ์วัดมุมทาบเรียบตลอดความยาวทั้งหมด
- ขันสลกรูกลับให้แน่นอีกครั้ง

การปรับมุมเฉียงมาตรฐานในแนวตั้ง 0°

- วางเครื่องในตำแหน่งขนาน
- หมุนโต๊ะเลื่อย (7) ไปจนถึงช่องกัก (45) สำหรับ 0° คันปรับ (11) ต้องขบเข้าในช่องกักอย่างรู้สึกได้

การตรวจสอบ (รูปภาพประกอบ P1)

- ตั้งอุปกรณ์วัดมุมที่ 90° และวางไว้บนโต๊ะเลื่อย (7) ขาของอุปกรณ์วัดมุมต้องทาบเรียบกับใบเลื่อย (41) ตลอดความยาวทั้งหมด

การปรับ (รูปภาพประกอบ P2)

- คลายคันทึบ (26) ออก
- คลายน็อตล็อคของสลกรูหยุด (33) ออกด้วยประแจแหวนหรือประแจปากตายที่จำหน่ายทั่วไป (13 มม.)
- ขันสลกรูหยุดเข้าหรือออกจนขาของอุปกรณ์วัดมุมทาบเรียบกับใบเลื่อยตลอดความยาวทั้งหมด
- ขันคันทึบ (26) กลับให้แน่นอีกครั้ง
- จากนั้นจึงขันน็อตล็อคของสลกรูหยุด (33) กลับให้แน่นอีกครั้ง

ในกรณีที่เมื่อปรับแล้ว เข็มชี้มุม (31) ไม่อยู่ในแนวเส้นขีด 0° ของมาตราส่วน (32) ให้คลายสลกรู (48) ด้วยไขควงปากแฉกที่จำหน่ายทั่วไป และวางแนวเข็มชี้มุมเทียบกับเส้นขีด 0° (ดูภาพประกอบ R)

การปรับมุมเฉียงมาตรฐานในแนวตั้ง 45°

- วางเครื่องในตำแหน่งทำงาน
- หมุนโต๊ะเลื่อย (7) ไปจนถึงช่องกัก (45) สำหรับ 0° คันปรับ (11) ต้องขบเข้าในช่องกักอย่างรู้สึกได้
- คลายคันทึบ (26) ออก และหมุนแขนเครื่องมือตรงด้ามจับ (3) ไปจนถึงตัวหยุดทางซ้าย (45°)

การตรวจสอบ (รูปภาพประกอบ Q1)

- ตั้งอุปกรณ์วัดมุมที่ 45° และวางไว้บนโต๊ะเลื่อย (7) ขาของอุปกรณ์วัดมุมต้องทาบเรียบกับใบเลื่อย (41) ตลอดความยาวทั้งหมด

การปรับ (รูปภาพประกอบ Q2)

- คลายน็อตล็อคของสลกรูหยุด (23) ออกด้วยประแจแหวนหรือประแจปากตายที่จำหน่ายทั่วไป (13 มม.)

- ชันสกรูหยุดเข้าหรือออกจนขาของอุปกรณ์วัดมุมทาบเรียบกับใบเลื่อยตลอดความยาวทั้งหมด
- ชันคันทึบ (26) กลับให้แน่นอีกครั้ง
- จากนั้นจึงขันนอตล็อคของสกรูหยุด (23) กลับให้แน่นอีกครั้ง

ในกรณีที่เมื่อปรับแล้วเข็มชี้มุม (31) ไม่อยู่ในแนวเส้นขีด 45° ของมาตราส่วน (32) ในขั้นแรกให้ตรวจสอบการตั้ง 0° สำหรับมุมเอียงในแนวตั้งและเข็มชี้มุมอีกครั้ง จากนั้นจึงปรับเข็มมุมเอียงในแนวตั้ง 45°

การขนย้าย (คุณภาพประกอบ S)

ก่อนขนย้ายเครื่องมือไฟฟ้า ต้องทำตามขั้นตอนดังต่อไปนี้:

- วางเครื่องมือไฟฟ้าในตำแหน่งขนย้าย
- ถอดอุปกรณ์ประกอบทุกชิ้นที่ไม่สามารถติดตั้งเข้ากับเครื่องมือไฟฟ้าได้อย่างแน่นหนา หากเป็นไปได้ ให้วางใบเลื่อยที่ไม่ใช้งานไว้ในภาชนะบรรจุที่ปิดฝาเพื่อขนย้าย
- ยกจับเครื่องมือไฟฟ้าตรงคันจับขนย้าย (28) หรือจับตรงด้ามจับเว้า (15) ที่ด้านข้างของโต๊ะเลื่อย

▶ เมื่อขนย้ายเครื่องมือไฟฟ้า ให้ยก

- จับที่อุปกรณ์สำหรับขนย้ายเท่านั้น และอย่ายกจับที่อุปกรณ์ป้องกันอันตรายอย่างเด็ดขาด

การบำรุงรักษาและการบริการ

การบำรุงรักษาและการทำความสะอาด

- ▶ ดึงปลั๊กไฟออกจากเต้าเสียบก่อนปรับแต่งเครื่อง
- ▶ เพื่อให้ทำงานได้อย่างถูกต้องและปลอดภัย ต้องรักษาเครื่องและช่องระบายอากาศให้สะอาดอยู่เสมอ

หากจำเป็นต้องเปลี่ยนสายไฟฟ้า ต้องส่งเครื่องให้ Bosch หรือศูนย์บริการหลังการขายที่ได้รับมอบหมายสำหรับเครื่องมือไฟฟ้า Bosch เปลี่ยนให้ ทั้งนี้เพื่อหลีกเลี่ยงอันตราย กระบ้งป้องกันใบเลื่อยชนิดชักมันได้ต้องเคลื่อนไหวยังมาได้อย่างอิสระและรันมันได้โดยอัตโนมัติตลอดเวลา ดังนั้นต้องรักษารูบริเวรรอบๆ กระบ้งป้องกันใบเลื่อยชนิดชักมันได้ให้สะอาดอยู่เสมอ

หลังเสร็จงานทุกครั้ง ให้ถอดฝาผู้่นและเศษออกโดยเบ้าด ้วยอากาศอัดหรือใช้ แปรง บัด

อุปกรณ์ประกอบ

หมายเลขสินค้า	
3 601 M29 040,	
3 601 M29 0B0:	1 619 PA6 916
ห่วงเหล็กขยาย	

ใบเลื่อยสำหรับไม้เนื้อแข็ง วัสดุผสม พลาสติก และโลหะนอกกลุ่มเหล็ก

ใบเลื่อย 254 x 25.4 มม. 100 ซีฟัน	1 609 B00 844
-----------------------------------	---------------

ใบเลื่อยสำหรับไม้และวัสดุที่เป็นแผ่น แผ่นกระดาน และแผ่นไม้ยาว/คิ้วบัว

ใบเลื่อย 254 x 25.4 มม. 40 ซีฟัน	2 608 673 047
ใบเลื่อย 254 x 25.4 มม. 100 ซีฟัน	2 608 640 904

การบริการหลังการขายและการให้คำปรึกษาการใช้งาน

ศูนย์บริการหลังการขายของเรายินดีตอบคำถามของท่านที่เกี่ยวกับการบำรุงรักษาและการซ่อมแซมผลิตภัณฑ์รวมทั้งเรื่องอะไหล่ ภาพเขียนแบบการประกอบและข้อมูลเกี่ยวกับอะไหล่ กรุณาดูใน: www.bosch-pt.com

ทีมงานที่ปรึกษาของ บ็อช ยินดีให้ข้อมูลเกี่ยวกับผลิตภัณฑ์ของเราและอุปกรณ์ประกอบต่างๆ

เมื่อต้องการสอบถามและสั่งซื้ออะไหล่ กรุณาแจ้งหมายเลขสินค้า 10 หลักบนแผ่นป้ายรุ่นของผลิตภัณฑ์ทุกครั้ง

ไทย

ไทย บริษัท โรเบิร์ต บ็อช จำกัด
 เอพวยไอ เซ็นเตอร์ อาคาร 1 ชั้น 5
 เลขที่ 2525 ถนนพระราม 4
 แขวงคลองเตย เขตคลองเตย
 กรุงเทพฯ 10110
 โทร: +66 2012 8888
 แฟกซ์: +66 2064 5800
www.bosch.co.th

ศูนย์บริการซ่อมและฝึกอบรม บ็อช
 อาคาร ลานชาลาทาวเวอร์ ชั้น G ห้องเลขที่ 2
 บ้านเลขที่ 10/11 หมู่ 16
 ถนนศรีนครินทร์

ตำบลบางแก้ว อำเภอบางพลี
จังหวัดสมุทรปราการ 10540
ประเทศไทย
โทรศัพท์ 02 7587555
โทรสาร 02 7587525

การกำจัดขยะ

เครื่องมือไฟฟ้า อุปกรณ์ประกอบ และที่บด ต้องนำ
ไปแยกประเภทวัสดุเพื่อการรีไซเคิลที่เป็นมิตรต่อสิ่งแวดล้อม



อย่าทิ้งเครื่องมือไฟฟ้าลงในขยะครัวเรือน!

Bahasa Indonesia

Petunjuk Keselamatan

Petunjuk keselamatan umum untuk perkakas listrik

⚠ PERINGATAN Baca semua peringatan, petunjuk, ilustrasi, dan spesifikasi

keselamatan yang diberikan bersama perkakas listrik ini. Kesalahan dalam menjalankan petunjuk di bawah ini dapat mengakibatkan sengatan listrik, kebakaran, dan/atau cedera serius.

Simpanlah semua peringatan dan petunjuk untuk penggunaan di masa mendatang.

Istilah "perkakas listrik" dalam peringatan mengacu pada perkakas listrik yang dioperasikan dengan listrik (menggunakan kabel) atau perkakas listrik yang dioperasikan dengan baterai (tanpa kabel).

Keamanan tempat kerja

- ▶ **Jaga kebersihan dan pencahayaan area kerja.** Area yang berantakan atau gelap dapat memicu kecelakaan.
- ▶ **Jangan mengoperasikan perkakas listrik di lingkungan yang dapat memicu ledakan, seperti adanya cairan, gas, atau debu yang mudah terbakar.** Perkakas listrik dapat memancarkan bunga api yang kemudian mengakibatkan debu atau uap terbakar.
- ▶ **Jauhkan dari jangkauan anak-anak dan pengamat saat mengoperasikan perkakas listrik.** Gangguan dapat menyebabkan hilangnya kendali.

Keamanan listrik

- ▶ **Steker perkakas listrik harus sesuai dengan stopkontak.** Jangan pernah memodifikasi steker. Jangan menggunakan steker adaptor bersama dengan perkakas listrik yang terhubung dengan sistem grounding. Steker yang tidak dimodifikasi dan

stopkontak yang cocok akan mengurangi risiko sengatan listrik.

- ▶ **Hindari kontak badan dengan permukaan yang terhubung dengan sistem grounding, seperti pipa, radiator, kompor, dan lemari es.** Terdapat peningkatan risiko terjadinya sengatan listrik jika badan Anda terhubung dengan sistem grounding.
- ▶ **Perkakas listrik tidak boleh terpapar hujan atau basah.** Air yang masuk ke dalam perkakas listrik menambah risiko terjadinya sengatan listrik.
- ▶ **Jangan menyalahgunakan kabel.** Jangan gunakan kabel untuk membawa, menarik, atau melepas steker perkakas listrik. Jauhkan kabel dari panas, minyak, tepi yang tajam, atau komponen yang bergerak. Kabel listrik yang rusak atau tersangkut menambah risiko terjadinya sengatan listrik.
- ▶ **Saat mengoperasikan perkakas listrik di luar ruangan, gunakan kabel ekstensi yang sesuai untuk penggunaan di luar ruangan.** Penggunaan kabel yang cocok untuk pemakaian di luar ruangan mengurangi risiko terjadinya sengatan listrik.
- ▶ **Jika perkakas listrik memang harus dioperasikan di tempat yang lembap, gunakan pemutus arus listrik residu (RCD).** Penggunaan RCD akan mengurangi risiko terjadinya sengatan listrik.

Keselamatan personel

- ▶ **Tetap waspada, perhatikan aktivitas yang sedang dikerjakan dan gunakan akal sehat saat mengoperasikan perkakas listrik.** Jangan gunakan perkakas listrik saat mengalami kelelahan atau di bawah pengaruh narkoba, alkohol, atau obat-obatan. Jika perkakas listrik dioperasikan dengan daya konsentrasi yang rendah, hal tersebut dapat menyebabkan cedera serius.
- ▶ **Gunakan peralatan pelindung diri. Selalu kenakan pelindung mata.** Penggunaan perlengkapan pelindung seperti penutup telinga, helm, sepatu anti licin, dan masker debu akan mengurangi cedera.
- ▶ **Hindari start yang tidak disengaja.** Pastikan switch berada di posisi off sebelum perkakas listrik dihubungkan ke sumber daya listrik dan/atau baterai, diangkat, atau dibawa. Membawa perkakas listrik dengan jari menempel pada tombol atau perkakas listrik dalam keadaan hidup dapat memicu kecelakaan.
- ▶ **Singkirkan kunci penyatel atau kunci pas sebelum menghidupkan perkakas listrik.** Perkakas atau kunci pas yang masih menempel pada komponen perkakas listrik yang berputar dapat menyebabkan cedera.
- ▶ **Jangan melampaui batas. Berdirilah secara mantap dan selalu jaga keseimbangan.** Hal ini akan memberikan kontrol yang lebih baik terhadap perkakas listrik pada situasi yang tak terduga.
- ▶ **Kenakan pakaian dengan wajar.** Jangan mengenakan perhiasan atau pakaian yang longgar. Jauhkan rambut dan pakaian dari komponen yang bergerak.

Pakaian yang longgar, rambut panjang, atau perhiasan dapat tersangkut dalam komponen yang bergerak.

- ▶ **Jika disediakan perangkat untuk sambungan pengisapan debu dan alat pengumpulan, pastikan perangkat tersebut terhubung dan digunakan dengan benar.** Penggunaan alat pengumpulan dapat mengurangi bahaya yang disebabkan oleh debu.
- ▶ **Jangan berpuas diri dan mengabaikan prinsip keselamatan karena terbiasa mengoperasikan perkakas.** Tindakan yang kurang hati-hati dapat mengakibatkan cedera serius dalam waktu sepersekian detik.

Penggunaan dan pemeliharaan perkakas listrik

- ▶ **Jangan memaksakan perkakas listrik. Gunakan perkakas listrik yang sesuai untuk pekerjaan yang dilakukan.** Perkakas listrik yang sesuai akan bekerja dengan lebih baik dan aman sesuai tujuan penggunaan.
- ▶ **Jangan gunakan perkakas listrik dengan switch yang tidak dapat dioperasikan.** Perkakas listrik yang switchnya yang tidak berfungsi dapat menimbulkan bahaya dan harus diperbaiki.
- ▶ **Lepaskan steker dari sumber listrik dan/atau lepas baterai, jika dapat dilepaskan dari perkakas listrik sebelum menyatel, mengganti aksesoris, atau menyimpan perkakas listrik.** Tindakan preventif akan mengurangi risiko menghidupkan perkakas listrik secara tidak disengaja.
- ▶ **Jauhkan dan simpan perkakas listrik dari jangkauan anak-anak dan jangan biarkan orang-orang yang tidak mengetahui cara menggunakan perkakas listrik, mengoperasikan perkakas listrik.** Perkakas listrik dapat membahayakan jika digunakan oleh orang-orang yang tidak terlatih.
- ▶ **Lakukan pemeliharaan perkakas listrik dan aksesoris. Periksa komponen yang bergerak apabila tidak lurus atau terikat, kerusakan komponen, dan kondisi lain yang dapat mengganggu pengoperasian perkakas listrik. Apabila rusak, perbaiki perkakas listrik sebelum digunakan.** Kecelakaan sering terjadi karena perkakas listrik tidak dirawat dengan baik.
- ▶ **Jaga ketajaman dan kebersihan alat.** Alat pemotong dengan pisau pemotong yang tajam dan dirawat dengan baik tidak akan mudah tersangkut dan lebih mudah dikendalikan.
- ▶ **Gunakan perkakas listrik, aksesoris, dan komponen perkakas dll sesuai dengan petunjuk ini, dengan mempertimbangkan kondisi kerja dan pekerjaan yang akan dilakukan.** Penggunaan perkakas listrik untuk tujuan berbeda dari fungsinya dapat menyebabkan situasi yang berbahaya.
- ▶ **Jaga gagang dan permukaan genggam agar tetap kering, bersih, dan bebas dari minyak dan lemak.** Gagang dan permukaan genggam yang licin tidak menjamin keamanan kerja dan kontrol alat yang baik pada situasi yang tidak terduga.

Servis

- ▶ **Minta teknisi berkualifikasi untuk menyervis perkakas listrik dengan hanya menggunakan suku cadang yang identik.** Dengan demikian, hal ini akan memastikan keamanan perkakas listrik.

Petunjuk Keselamatan untuk Gergaji Miter (Mitre Saw)

- ▶ **Gergaji miter ditujukan untuk memotong kayu atau produk berbahan sejenis kayu. Gergaji ini tidak dapat digunakan dengan cakram pemotong abrasif untuk memotong material dari besi seperti batang, tongkat, tiang, dll.** Debu abrasif menyebabkan komponen yang bergerak, seperti pelindung bagian bawah, menjadi tersendat. Percikan api dari pemotongan abrasif akan membakar pelindung bawah, sisipan kerf dan bagian berbahan plastik lainnya.
- ▶ **Jika mungkin, gunakan penjepit untuk menyokong benda kerja. Jika benda kerja dipegang dengan tangan, Anda harus selalu menjaga jarak tangan Anda setidaknya 100 mm dari masing-masing bilah gergaji. Jangan menggunakan gergaji ini untuk memotong benda yang terlalu kecil meski dijepit dengan aman atau dipegang dengan tangan.** Jika tangan berada terlalu dekat dengan bilah gergaji, akan terdapat risiko cedera yang lebih tinggi karena kontak dengan bilah.
- ▶ **Benda kerja harus dalam keadaan tidak bergerak dan dijepit atau dipegang dengan ditekan ke pelindung dan ke meja. Jangan mengumpalkan benda kerja secara bebas ke bilah atau memotong dengan tangan kosong dengan cara apa pun.** Benda kerja yang bebas atau bergerak dapat terlempar dengan kecepatan tinggi, dan menyebabkan cedera.
- ▶ **Tekan gergaji dengan mendorongnya ke benda kerja. Jangan memotong dengan menarik gergaji pada benda kerja. Untuk memotong, angkat kepala gergaji dan tarik keluar ke atas benda kerja tanpa memotongnya, lalu hidupkan mesin, tekan kepala gergaji ke bawah dan kemudian dorong sambil menekan gergaji ke benda kerja.** Memotong dengan pull stroke (menarik gergaji sambil ditekan ke benda kerja) dapat menyebabkan bilah gergaji naik ke atas benda kerja dan rakitan bilah terlempar dengan keras ke arah operator.
- ▶ **Jangan pernah menyalangkan tangan pada garis yang hendak dipotong baik di depan maupun di belakang bilah gergaji.** Memegang benda kerja dengan "tangan menyalang" yaitu memegang benda kerja di sebelah kanan bilah gergaji dengan tangan kiri, atau sebaliknya, sangatlah berbahaya.
- ▶ **Jangan mencoba meraih ke belakang pelindung kurang dari 100 mm dari masing-masing bilah gergaji dengan tangan, guna melepaskan potongan kayu, atau karena alasan lainnya saat bilah sedang berputar.** Jarak bilah gergaji yang berputar ke tangan dapat menjadi tidak mudah terlihat dan dapat menyebabkan cedera serius.

- ▶ **Teliti benda kerja sebelum memotong. Jika benda kerja bengkok atau melengkung, jepitlah dengan bagian luar yang melengkung menghadap ke pelindung. Selalu pastikan bahwa tidak terdapat celah antara benda kerja, pelindung dan meja sepanjang garis pemotongan.** Benda kerja yang bengkok atau melengkung dapat berputar atau bergeser dan dapat menyebabkan lilitan pada bilah gergaji yang berputar saat pemotongan. Tidak boleh terdapat paku atau benda asing di dalam benda kerja.
- ▶ **Jangan gunakan gergaji sampai meja bebas dari semua peralatan, potongan kayu, dll. selain benda kerja.** Puing-puing kecil atau potongan-potongan kayu yang terlepas atau objek lainnya yang mengenai bilah yang berputar dapat terlempar dengan kecepatan tinggi.
- ▶ **Potonglah hanya satu benda kerja dalam satu waktu.** Benda kerja yang ditumpuk tidak dapat dijepit atau ditahan dengan benar dan dapat melilit pada bilah atau bergeser selama pemotongan.
- ▶ **Pastikan gergaji miter dipasang atau ditempatkan pada permukaan kerja yang kuat dan rata sebelum digunakan.** Permukaan kerja yang kuat dan rata akan membuat gergaji miter tidak mudah goyah.
- ▶ **Buatlah rencana kerja. Setiap kali Anda mengubah setelan kemiringan atau sudut 45 derajat (mitre angle), pastikan pelindung yang dapat disetel telah disesuaikan dengan benar untuk menyokong benda kerja dan tidak akan mengganggu bilah atau sistem pelindung.** Gerakkan bilah gergaji untuk menyimulasikan satu potongan penuh tanpa menekan tombol "ON" dan tanpa adanya benda kerja di meja untuk memastikan tidak akan terdapat gangguan atau bahaya terpotongnya pelindung.
- ▶ **Sediakan sokongan yang memadai seperti meja tambahan, kuda-kuda penyangga, dll untuk benda kerja yang berukuran lebih lebar atau lebih panjang dari permukaan meja.** Benda kerja yang berukuran lebih lebar atau lebih panjang dari meja gergaji miter dapat terbalik jika tidak disokong dengan aman. Jika benda yang terpotong atau benda kerja terbalik, benda dapat mencabut pelindung bawah atau terlempar oleh bilah yang berputar.
- ▶ **Jangan meminta orang lain untuk menjadi penyokong sebagai pengganti meja tambahan.** Penyokong untuk benda kerja yang goyah dapat menyebabkan bilah melilit atau benda kerja bergeser selama operasi pemotongan dan menarik Anda dan asisten Anda menuju ke bilah yang berputar.
- ▶ **Bagian yang dipotong tidak boleh mendesak atau ditekan, dengan alat apa pun, ke bilah gergaji yang berputar.** Jika terperangkap, yaitu karena menggunakan pembatas (length stop), bagian yang dipotong dapat terjepit dan menekan bilah lalu terlempar dengan keras.
- ▶ **Selalu gunakan penjepit atau dudukan yang dirancang untuk menyokong dengan baik benda berbentuk bundar seperti tangkai silinder atau pipa.** Tangkai silinder memiliki kecenderungan tergulir saat dipotong, yang menyebabkan bilah menusuk dan menarik benda kerja maupun tangan Anda menuju ke bilah.
- ▶ **Biarkan bilah mencapai kecepatan penuh sebelum menyentuh benda kerja.** Hal ini akan mengurangi risiko terlemparnya benda kerja.
- ▶ **Jika benda kerja atau bilah mengalami kemacetan, matikan gergaji miter. Tunggulah hingga semua bagian yang bergerak berhenti dan cabut steker dari sumber daya dan/atau lepas baterai. Lalu bebaskan benda yang macet.** Meneruskan memotong dengan benda kerja yang terjepit dapat menyebabkan gergaji miter kehilangan kendali atau rusak.
- ▶ **Setelah selesai memotong, lepaskan switch, turunkan kepala gergaji, dan tunggu hingga bilah gergaji berhenti sebelum mengangkat benda yang dipotong.** Meraih dengan tangan di dekat bilah yang berjalan sangatlah berbahaya.
- ▶ **Genggam pegangan dengan kuat saat memotong sebagian atau saat melepas switch sebelum kepala gergaji benar-benar di posisi bawah.** Tindakan pengereman gergaji dapat menyebabkan kepala gergaji tiba-tiba tertarik ke bawah, yang menyebabkan risiko cedera.
- ▶ **Jaga tempat pengerjaan tetap bersih.** Campuran bahan yang berserakan cukup berbahaya. Debu logam yang kecil dapat terbakar atau menimbulkan ledakan.
- ▶ **Jangan menggunakan mata gergaji yang tumpul, retak, bengkok, atau rusak. Mata gergaji dengan gigi-gigi yang tumpul atau bengkok mengakibatkan celah pemotongan terlalu sempit sehingga terjadi gesekan yang terlalu tinggi, mata gergaji terjepit, dan terjadi sentakan.**
- ▶ **Jangan menggunakan mata gergaji yang terbuat dari baja kecepatan tinggi (baja HSS).** Mata gergaji dari bahan ini mudah patah.
- ▶ **Selalu gunakan bilah gergaji dengan ukuran dan bentuk lubang poros yang sesuai (belah ketupat versus bulat).** Bilah gergaji yang tidak sesuai dengan perangkat keras yang terpasang pada gergaji akan bergerak tidak simetris dan mengakibatkan kehilangan kendali.
- ▶ **Jangan pernah menyingkirkan sisa-sisa pemotongan, serbuk kayu, dan semacamnya dari bidang pemotongan jika perkakas listrik dalam keadaan hidup.** Gerakkan kepala perkakas selalu ke posisi normal dahulu dan kemudian matikan perkakas listrik.
- ▶ **Setelah digunakan, jangan memegang mata gergaji yang masih panas, tunggulah hingga menjadi dingin.** Selama penggunaannya, mata gergaji menjadi sangat panas.

Simbol-simbol

Simbol-simbol berikut dapat membantu Anda dalam menggunakan perkakas listrik. Pelajari dan ingat simbol-simbol berikut beserta maknanya. Pengertian yang betul dari

simbol-simbol ini bisa membantu Anda untuk menggunakan perkakas listrik dengan lebih baik dan aman.

Simbol dan artinya



Jangan mendekatkan tangan Anda pada area pemotongan saat perkakas listrik beroperasi. Sentuhan pada mata gergaji dapat mengakibatkan cedera.



Pakailah masker pelindung debu.



Pakailah kacamata pelindung.



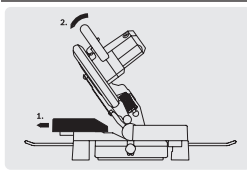
Pakailah pelindung telinga. Jika Anda mendengar suara bising untuk waktu yang lama, daya pendengaran dapat berkurang.



Area berbahaya! Jauhkan tangan, jari atau lengan dari area ini.

Ø 254mm
Ø 25,4mm

Perhatikanlah ukuran dari mata gergaji. Diameter lubang harus sesuai dengan sumbu perkakas dan tidak goyah. Jika penggunaan reduktor diperlukan, pastikan ukuran reduktor sesuai dengan ketebalan bilah baja, diameter lubang pada mata gergaji serta diameter sumbu perkakas. Sebisa mungkin gunakan reduktor yang disediakan bersama dengan mata pisau. Diameter mata gergaji harus sesuai dengan informasi pada simbol.



Saat menggergaji pada sudut potong vertikal, rel pembatas yang dapat diatur harus ditarik ke luar atau dilepas sepenuhnya.

Spesifikasi produk dan performa



Bacalah semua petunjuk keselamatan dan petunjuk penggunaan. Kesalahan dalam menjalankan petunjuk keselamatan dan petunjuk penggunaan dapat mengakibatkan kontak listrik, kebakaran, dan/atau luka-luka

yang berat.

Perhatikan ilustrasi yang terdapat pada sisi sampul panduan pengoperasian.

Tujuan penggunaan

Perkakas listrik ini ditujukan sebagai perkakas tetap, cocok untuk memotong dalam arah memanjang dan melintang dengan pemotongan lurus. Dengan ini, sudut potong horizontal sebesar -47° hingga $+52^\circ$ serta sudut potong vertikal sebesar 0° hingga 45° dapat dilakukan.

Kapasitas perkakas listrik cocok untuk memotong kayu keras dan kayu lunak, pelat serbuk kayu dan pelat serat serta aluminium dan bahan sintetis.


Ilustrasi komponen

Nomor-nomor dari bagian-bagian perkakas pada gambar sesuai dengan gambar perkakas listrik pada halaman bergambar.

- (1) Kap pelindung
- (2) Tuas untuk membuka penguncian lengan perkakas
- (3) Gagang
- (4) Tombol on/off
- (5) Kap pelindung yang dapat bergerak
- (6) Rel pembatas
- (7) Meja potong
- (8) Lubang-lubang untuk klem
- (9) Pelat sisipan
- (10) Knop pengunci untuk menyetel sudut potong lainnya (horizontal)
- (11) Tuas kunci untuk menyetel sudut potong (horizontal)
- (12) Indikator sudut untuk sudut potong (horizontal)
- (13) Skala untuk sudut potong (horizontal)
- (14) Lubang-lubang untuk pemasangan
- (15) Lekukan tempat memegang
- (16) Lubang-lubang untuk handel ekstensi
- (17) Rel pembatas yang dapat disetel kedudukannya
- (18) Klem
- (19) Kantung debu
- (20) Deflektor serutan
- (21) Baut kupu-kupu untuk mengatur rel pembatas yang dapat disesuaikan
- (22) Kunci L (6 mm)/Obeng kembang
- (23) Sekrup pembatas sudut potong 45° (vertikal)
- (24) Penahan antiterbalik

- (25) Ejektor serbuk gergaji
- (26) Gagang pengencang untuk menyatel sudut potong lainnya (vertikal)
- (27) Kunci transpor
- (28) Gagang transpor
- (29) Penguncian poros
- (30) Baut penyatel pembatas kedalaman
- (31) Indikator sudut untuk sudut potong (vertikal)
- (32) Skala untuk sudut potong (vertikal)
- (33) Sekrup pembatas sudut potong 0° (vertikal)
- (34) Lubang-lubang untuk penahan antiterbalik
- (35) Set pemasangan "Penahan antiterbalik"
- (36) Handel ekstensi
- (37) Baut pengencang untuk handel ekstensi
- (38) Baut berkepala bintang (pemasangan kap pelindung yang dapat bergerak)
- (39) Sekrup heksagonal untuk mengencangkan mata gergaji
- (40) Flensa penjepit
- (41) Mata gergaji
- (42) Flensa penjepit dalam
- (43) Baut kupu-kupu untuk menyesuaikan ketinggian batang ulir
- (44) Batang berulir
- (45) Alur untuk sudut potong standar (horizontal)
- (46) Baut untuk pelat sisipan
- (47) Sekrup heksagonal rel pembatas
- (48) Baut untuk indikator sudut (vertikal)

Data teknis

Gergaji miter dan gergaji potong		GCM 10 MX
Nomor seri		3 601 M29 0..
Input daya nominal	W	1700
Kecepatan idle	min ⁻¹	4800
Berat sesuai dengan EPTA-Procedure 01:2014	kg	16,8
Klasifikasi keamanan		 / II
Ukuran benda yang diperbolehkan (maksimal/minimal): (lihat „Ukuran benda kerja yang diperbolehkan“, Halaman 71)		
Data-data berlaku untuk tegangan nominal [U] 230 V. Pada tegangan yang lebih rendah dan pada model khusus mancanegara data-data ini bisa berlainan.		
Ukuran mata gergaji yang sesuai		
Diameter mata gergaji	mm	254
Ketebalan lembar baja	mm	1,8–2,8
Diameter lubang	mm	25,4

Keterangan tentang kebisingan

Tingkat emisi kebisingan ditentukan berdasarkan **EN 62841-3-9**.

Tingkat kebisingan kategori A perkakas listrik biasanya sebesar: Tingkat tekanan suara **92 dB(A)**; Tingkat kekuatan suara **105 dB(A)**. Ketidakpastian K= **3 dB**.

Gunakan pelindung telinga!

Nilai emisi kebisingan yang terdapat dalam petunjuk penggunaan ini telah sesuai dengan standardisasi metode penghitungan yang digunakan dan nilai tersebut dapat digunakan sebagai perbandingan pada masing-masing perkakas listrik. Nilai tersebut juga sesuai untuk penilaian awal emisi kebisingan.

Nilai emisi kebisingan yang ditetapkan merepresentasikan penggunaan utama perkakas listrik. Ketika perkakas listrik digunakan untuk hal lainnya dengan berbagai alat kerja lainnya atau perawatan yang tidak memadai, maka nilai emisi kebisingan akan berbeda. Hal ini dapat meningkatkan emisi kebisingan di seluruh ruang kerja.

Untuk penilaian yang tepat untuk emisi kebisingan, waktu penonaktifan atau pengoperasian sebaiknya harus dipertimbangkan, namun tidak benar-benar saat digunakan. Hal ini dapat mengurangi emisi kebisingan pada saat alat dioperasikan.

Cara memasang

- **Hindari perkakas listrik hidup secara tidak sengaja. Selama melakukan pemasangan dan pekerjaan lainnya pada perkakas listrik, steker tidak boleh dialiri listrik.**

Lingkup pengiriman



Perhatikan ilustrasi lingkup pengiriman pada awal panduan pengoperasian.

Sebelum menggunakan perkakas listrik untuk pertama kalinya, periksalah apakah semua komponen di bawah ini disertakan:

- Gergaji miter dan potong dengan mata gergaji yang terpasang
- Kantung debu **(19)**
- Klem **(18)**
- Kunci L/obeng kembang **(22)**
- Penahan antiterbalik **(24)** dengan set pemasangan **(35)** (2 baut, 2 cincin, 2 mur persegi)

Catatan: Periksa perkakas listrik dari kemungkinan kerusakan.

Sebelum melanjutkan menggunakan perkakas listrik, periksa dengan saksama semua komponen pelindung atau komponen yang sedikit rusak apakah komponen tersebut berfungsi dengan baik. Periksa apakah komponen yang bergerak berfungsi dengan baik dan tidak terjepit atau apakah ada komponen yang rusak. Semua bagian-bagian harus terpasang dengan benar dan memenuhi semua

persyaratan guna menjamin penggunaan perkakas listrik yang sempurna.

Komponen perlindungan dan bagian-bagian yang rusak harus diperbaiki atau diganti di bengkel yang disetujui.

Memasang komponen-komponen

- Keluarkan semua komponen yang disediakan di kemasan dengan hati-hati.
- Singkirkan semua bahan kemasan dari perkakas listrik dan dari aksesoris yang disediakan.

Memasang penahan antiterbalik (lihat gambar A)

Sebelum menggunakannya untuk pertama kali, perkakas listrik harus dipasang penahan antiterbalik (24).

Gunakan set pemasangan saat memasang "Penahan antiterbalik" (35).

- Pasang mur persegi (35) ke dalam lubang (34) yang disertakan di pelat dasar.
- Pasang cincin (35) pada sekrup pemasangan (35) dan pasang penahan antiterbalik (24) ke dalam mur yang terpasang.
- ▶ **Jangan pernah melepas penahan antiterbalik.** Tanpa penahan antiterbalik, kedudukan perkakas listrik tidak akan kuat, perkakas listrik dapat terbalik terutama jika dilakukan penggergajian sudut potong yang maksimal.

Memasang handel ekstensi (lihat gambar B)

Benda kerja yang panjang dan berat harus dialasi atau ditopang pada ujungnya.

Agar meja potong menjadi lebih lebar, Anda dapat memasang handel ekstensi pada perkakas listrik, yaitu di sisi kanan dan di sisi kirinya.

- Dorong handel ekstensi (36) pada kedua sisi perkakas listrik hingga maksimal ke dalam lubang yang disediakan (16).
- Kencangkan sekrup pemasangan (37) untuk mengencangkan handel ekstensi.

Pemasangan stasioner atau fleksibel

- ▶ **Untuk menjamin keamanan kerja, perkakas listrik harus dipasang terlebih dulu di tempat kerja yang datar dan stabil (misalnya meja kerja) sebelum digunakan.**

Pemasangan di area kerja (lihat gambar C1–C2)

- Kencangkan perkakas listrik di meja kerja dengan sekrup yang sesuai. Untuk itu, gunakan lubang-lubang bor (14).

atau

- Kencangkan kaki perkakas listrik pada meja kerja dengan klem yang tersedia secara komersial.

Pemasangan di meja kerja Bosch

Meja kerja GTA Bosch menahan kedudukan perkakas listrik di alas permukaan dengan kaki yang dapat disetel ketinggiannya. Dudukan benda kerja pada meja kerja berguna untuk menunjang benda kerja yang berukuran panjang.

- ▶ **Baca semua petunjuk peringatan keamanan yang tercantum untuk meja kerja.** Jika petunjuk untuk keamanan kerja dan penggunaan tidak dipatuhi, dapat terjadi kontak listrik, kebakaran dan/atau cedera parah.
- ▶ **Sebelum memasang perkakas listrik pada meja kerja, rakit terlebih dulu meja kerja dengan benar.** Perakitan yang tepat sangat penting untuk mencegah meja kerja roboh.
- Pasang perkakas listrik di meja kerja dengan posisi pengangkutan.

Pengisapan debu/serbuk

Debu dari bahan-bahan seperti cat yang mengandung timbal, beberapa jenis kayu, bahan mineral dan logam dapat berbahaya bagi kesehatan. Menyentuh atau menghirup debu tersebut dapat mengakibatkan reaksi alergi dan/atau penyakit saluran pernapasan bagi pengguna atau orang yang berada di dekatnya.

Beberapa debu tertentu seperti misalnya debu kayu pohon ek atau pohon fagus silvatica dianggap dapat mengakibatkan penyakit kanker, terutama dalam campuran dengan bahan-bahan tambahan untuk pengolahan kayu (kromat, obat pengawet kayu). Bahan-bahan yang mengandung asbestos hanya boleh dikerjakan oleh orang-orang yang ahli.

- Gunakanlah hanya pengisap debu yang cocok untuk mengisap bahan yang dikerjakan.
- Pastikan terdapat ventilasi udara yang baik di tempat kerja.
- Dianjurkan untuk memakai masker anti debu dengan filter kelas P2.

Taatilah peraturan-peraturan untuk bahan-bahan yang dikerjakan yang berlaku di negara Anda.

- ▶ **Hindari debu yang banyak terkumpul di tempat kerja.** Debu dapat tersulut dengan mudah.

Pengisap debu/serbuk dapat tersumbat oleh debu, serbuk atau serpihan dari benda yang dikerjakan.

- Matikan perkakas listrik dan lepas steker dari stopkontak.
- Tunggu hingga mata gergaji benar-benar berhenti.
- Periksa penyebab tersumbatnya perkakas dan segera perbaiki.

Ekstraksi otomatis (lihat gambar D)

Gunakan kantong debu (19) yang telah disediakan untuk mengumpulkan serpihan dengan mudah.

- Pasang kantong debu (19) pada ejektor serbuk (25).
- Selama menggergaji, kantong debu sama sekali tidak boleh menyentuh bagian-bagian perkakas listrik yang bergerak. Kosongkan kantong debu secara berkala.

- ▶ **Periksa dan bersihkan kantong debu setelah setiap penggunaan.**

- ▶ **Untuk menghindari terjadinya kebakaran, lepaskan kantong debu jika melakukan penggergajian pada bahan aluminium.**

Pengisapan eksternal

Untuk pengisapan, slang pengisap debu (Ø 35 mm) juga dapat disambungkan ke ejektor serbuk (25).

- Sambungkan slang pengisap debu dengan ejektor serbuk (25).

Mesin pengisap debu harus sesuai dengan bahan yang dikerjakan.

Gunakan mesin pengisap khusus saat mengisap debu yang sangat berbahaya bagi kesehatan, pemicu kanker atau debu kering.

Mengganti mata gergaji (lihat gambar E1-E3)

- ▶ **Sebelum mulai dengan pekerjaan pada perkakas listrik, tariklah steker dari stopkontak.**
- ▶ **Kenakan sarung tangan pelindung saat memasang mata gergaji.** Terdapat risiko cedera jika menyentuh mata gergaji.

Hanya gunakan mata gergaji dengan kecepatan putaran maksimal yang diperbolehkan yang lebih tinggi daripada kecepatan putaran tanpa beban dari perkakas listrik.

Hanya gunakan mata gergaji yang sesuai dengan data-data yang tercantum di dalam petunjuk pengoperasian yang diberikan dan diuji menurut peraturan EN 847-1 serta diberi tanda yang sesuai.

Hanya gunakan mata gergaji yang dianjurkan oleh produsen perkakas listrik ini dan yang sesuai untuk mengerjakan bahan yang hendak dikerjakan. Hal ini bertujuan untuk menghindari pemanasan berlebih pada gigi gergaji pada saat menggergaji.

Melepaskan mata gergaji

- Atur perkakas listrik pada posisi pengoperasian.
- Tekan tuas (2) dan gerakkan kap pelindung yang dapat bergerak (5) ke belakang hingga maksimal. Tahan kap pelindung yang dapat bergerak pada posisi ini.
- Kendurkan sekrup (38) menggunakan obeng kembang (22) hingga pemasangan kap pelindung yang dapat bergerak juga dapat digerakkan hingga maksimal ke belakang.
- Putar sekrup segi enam (39) dengan kunci L (22) yang disertakan dan tekan penguncian poros (29) secara bersamaan hingga terkunci.
- Tekan dan tahan penguncian poros (29) lalu putar sekrup (39) searah jarum jam hingga terlepas (ulir bagian kiri!).
- Lepas flensa penjepit (40).
- Lepas mata gergaji (41).

Memasang mata gergaji

Jika perlu, bersihkan dahulu semua komponen yang terpasang sebelum melakukan pemasangan.

- Pasang mata gergaji baru pada flensa penjepit bagian dalam (42).
- ▶ **Pada waktu memasang mata gergaji, perhatikan agar arah pemotongan gigi (arah panah pada mata gergaji) sesuai dengan arah panah pada kap pelindung!**
- Pasang flensa penjepit (40) dan sekrup (39). Tekan penguncian poros (29) hingga terkunci, lalu kencangkan sekrup berlawanan arah jarum jam.
- Tekan kap pelindung yang dapat bergerak (5) ke depan bawah hingga sekrup (38) terpasang di lekukan yang

sesuai.

Untuk mencapai daya pegas dari kap pelindung yang dapat bergerak, bisa jadi kepala perkakas harus ditahan pada pegangan.

- Pasang kembali kap pelindung yang bisa bergerak (5) (kencangkan sekrup (38)).
- Tekan tuas (2) dan arahkan kembali kap pelindung yang bisa bergerak ke bawah.
- ▶ **Perhatikan saat memasang flensa penjepit bahwa sisi yang lebar mengarah pada mata gergaji.** Mata gergaji tidak dapat dikencangkan jika arah pemasangan terbalik.

Penggunaan

- ▶ **Sebelum mulai dengan pekerjaan pada perkakas listrik, tariklah steker dari stopkontak.**

Kunci transpor (lihat gambar F)

Kunci transpor (27) memungkinkan Anda untuk menangani perkakas listrik dengan lebih mudah ketika memindahkannya ke lokasi yang berbeda.

Melepaskan perkakas listrik (posisi pengoperasian)

- Tekan sedikit lengan perkakas pada gagang (3) ke bawah untuk meringankan kunci transpor (27).
- Tarik sepenuhnya kunci transpor (27) ke luar.
- Gerakkan lengan perkakas ke atas secara perlahan.

Catatan: Pastikan kunci transpor tidak ditekan ke dalam, jika tidak, lengan perkakas tidak dapat digerakkan hingga kedalaman yang diinginkan.

Mengunci perkakas listrik (posisi pengangkutan)

- Gerakkan pembatas kedalaman ke dalam hingga lengan perkakas dapat digerakkan sepenuhnya ke bawah pada gagang (3).
- Tekan tuas (2) dan gerakkan lengan perkakas pada gagang (3) sejauh mungkin ke bawah secara bersamaan hingga kunci transpor (27) dapat ditekan sepenuhnya ke dalam.

Kini lengan perkakas terkunci dan perkakas listrik siap untuk diangkut.

Persiapan pemakaian

Menggeser rel pembatas (lihat gambar G)

Saat menggergaji pada sudut vertikal, rel pembatas yang dapat disetel (17) harus digeser.

- Kendurkan baut kupu-kupu (21).
- Tarik sepenuhnya rel pembatas yang dapat disetel (17) ke luar.
- Kencangkan kembali baut kupu-kupu (21).

Setelah menggergaji pada sudut potong vertikal, geser kembali rel pembatas yang dapat diatur (17) (lepaskan baut kupu-kupu (21); geser sepenuhnya rel pembatas (17) ke dalam; kencangkan kembali baut kupu-kupu).

Mengencangkan benda kerja (lihat gambar H)

Untuk menjamin keamanan kerja yang optimal, benda kerja harus selalu dikencangkan.

Jangan mengerjakan benda yang terlalu kecil untuk dikencangkan.

- Tekan benda kerja dengan kuat pada rel pembatas (6) dan (17).
- Pasang klem yang disediakan (18) pada salah satu lubang yang tersedia (8).
- Kendurkan baut kupu-kupu (43) dan sesuaikan klem dengan benda kerja. Kencangkan kembali baut kupu-kupu.
- Kencangkan batang berulir (44) dengan kuat dan kencangkan benda kerja.

Melepaskan benda kerja

- Untuk mengendurkan klem, putar batang berulir (44) berlawanan arah jarum jam.

Mengatur sudut potong horizontal dan vertikal**► Sebelum mulai dengan pekerjaan pada perkakas listrik, tariklah steker dari stopkontak.**

Untuk menjamin pemotongan yang tepat, penyetulan dasar perkakas listrik harus diperiksa setelah perkakas listrik digunakan secara intensif dan jika perlu lakukan pengaturan. Untuk melakukannya, diperlukan pengalaman dan perkakas khusus yang sesuai.

Pusat layanan pelanggan Bosch akan melakukan pekerjaan ini dengan cepat dan baik.

► Sebelum mulai menggergaji, (10) selalu kencangkan knop pengunci. Jika tidak, mata gergaji dapat tersangkut pada benda kerja.**Mengatur sudut potong horizontal (lihat gambar I)**

Sudut potong horizontal dapat diatur pada bidang antara 47° (sisi kiri) hingga 52° (sisi kanan).

- Kendurkan knop pengunci (10) jika knop dikencangkan.
- Tekan tuas (11), putar meja potong (7) ke kanan atau ke kiri pada knop pengunci dan sesuaikan sudut potong horizontal yang diinginkan dengan bantuan indikator sudut (12).
- Kencangkan kembali knop pengunci (10).

Untuk mengatur sudut potong horizontal yang sering digunakan secara cepat dan tepat, terdapat alur pada meja potong (45):

kiri	kanan
	0°
45°; 30°; 22,5°; 15°	15°; 22,5°; 30°; 45°

- Kendurkan knop pengunci (10) jika knop dikencangkan.
- Tekan tuas (11) dan putar meja potong (7) ke kanan atau kiri hingga mencapai alur yang diinginkan.
- Lepaskan kembali tuas. Tuas harus terasa terkunci ke dalam alur.
- Kencangkan kembali knop pengunci (10).

Mengatur sudut potong vertikal (lihat gambar J)

Sudut potong vertikal dapat diatur dalam rentang sekitar 0° hingga 45°.

- Kendurkan gagang pengencang (26).
- Gerakkan lengan perkakas pada gagang (3) hingga indikator sudut (31) menampilkan sudut potong vertikal yang diinginkan.
- Tahan lengan perkakas pada posisi ini dan kencangkan kembali gagang pengencang (26).

Untuk mengatur sudut standar 0° dan 45° secara cepat dan tepat, terdapat sekrup pembatas ((33) dan (23)) yang diatur oleh pabrik.

- Kendurkan gagang pengencang (26).
- Gerakkan lengan perkakas pada gagang (3) ke kanan (0°) atau ke kiri (45°) hingga maksimal.
- Kencangkan kembali gagang pengencang (26).

Pengoperasian pertama kali**► Perhatikan tegangan listrik! Tegangan jaringan listrik harus sesuai dengan tegangan listrik yang tercantum pada label tipe perkakas listrik. Perkakas listrik dengan daya sebesar 230 V seperti yang diindikasikan pada label dapat juga dioperasikan pada daya 220 V.****Menghidupkan (lihat gambar K)**

- Untuk pengoperasian pertama kali, tekan tombol on/off (4).

Catatan: Demi alasan keamanan, tombol on/off (4) tidak dapat dikunci, melainkan switch harus selalu ditekan selama pengoperasian.

Hanya dengan menekan tuas (2), lengan perkakas dapat diturunkan.

- Untuk menggergaji, selain harus menekan tombol on/off (4), tekan juga tuas (2).

Mematikan perkakas listrik

- Untuk mematikan perkakas listrik, lepaskan tombol untuk menghidupkan dan mematikan (4).

Petunjuk pengoperasian**Petunjuk umum untuk menggergaji**

- **Sebelum menggergaji, selalu kencangkan knop pengunci (10) dan gagang pengencang (26).** Jika tidak, mata gergaji dapat tersangkut pada benda kerja.
- **Sebelum mulai menggunakan perkakas listrik, periksalah mata gergaji agar tidak menyentuh rel pembatas, klem atau bagian yang lain dari perkakas. Jika perlu, lepaskan semua mistar pembantu yang dipasang atau sesuaikan pembatasnya.**

Lindungilah mata gergaji terhadap benturan dan tumbukan. Jangan menekan mata gergaji dari samping.

Jangan mengerjakan benda yang bengkok. Benda kerja harus selalu mempunyai tepi yang lurus untuk dirapatkan pada rel pembatas.

Benda kerja yang panjang dan berat harus dialasi atau ditopang pada ujungnya.

Pastikan agar kap pelindung yang bisa bergerak dapat berfungsi dengan baik dan bergerak secara bebas. Kap pelindung yang bisa bergerak harus dalam keadaan terbuka saat menggerakkan lengan perkakas ke bawah. Kap pelindung yang bisa bergerak harus tertutup kembali pada mata gergaji dan terkunci pada posisi teratas lengan perkakas saat menggerakkan lengan perkakas ke atas. Hanya potong bahan yang disetujui sesuai ketentuan penggunaan.

Posisi pengguna perkakas listrik (lihat gambar L)

- ▶ **Jangan berdiri langsung dalam satu garis dengan perkakas listrik dan mata gergaji, melainkan selalu di samping mata gergaji.** Dengan demikian tubuh Anda akan terlindungi jika terjadi bantingan.
- Jauhkan tangan, jari dan lengan dari mata gergaji yang berputar.
- Jangan menyilangkan tangan Anda di depan lengan perkakas.

Ukuran benda kerja yang diperbolehkan

Ukuran benda kerja **maksimal** :

Sudut potong horizontal	Sudut potong vertikal	Tinggi x Lebar [mm]	
		pada tinggi maks.	pada lebar maks.
0°	0°	89 x 89	62 x 130
45°	0°	86 x 67	65 x 91
0°	45°	44 x 95	32 x 130
45°	45°	44 x 67	32 x 91

Ukuran benda kerja **minimal** (= semua benda kerja yang dapat dijepit dengan penjepit cepat yang disediakan di sebelah kanan atau kiri mata gergaji): 110 x 130 mm (panjang x lebar)

Kedalaman pemotongan maks. (0°/0°): 89 mm

Mengganti pelat sisipan (lihat gambar M)

Pelat sisipan (9) dapat menjadi aus setelah perkakas listrik digunakan pada waktu yang lama.

Ganti pelat sisipan yang rusak.

- Atur perkakas listrik pada posisi pengoperasian.
- Lepaskan sekrup (46) menggunakan obeng kembang (22) yang disertakan dan lepas pelat sisipan yang lama.
- Pasang pelat sisipan dengan sekrup (46) sejauh mungkin ke kanan sehingga mata gergaji tidak menyentuh pelat sisipan di sepanjang kemungkinan pergerakan pemotongan.

Menggergaji (memotong)

- Kencangkan benda kerja sesuai dengan ukurannya.
- Setel sudut potong horizontal dan/atau sudut potong vertikal yang diinginkan.
- Sesuaikan ketinggian baut pengatur (30) sehingga benda kerja dapat digergaji dengan baik.
- Hidupkan perkakas listrik.

- Tekan tuas (2) dan gerakkan lengan perkakas dengan gagang (3) ke bawah secara perlahan.
- Gergaji benda kerja dengan dorongan yang merata.
- Matikan perkakas listrik dan tunggu hingga mata gergaji benar-benar berhenti.
- Gerakkan lengan perkakas ke atas secara perlahan.

Mengatur pembatas kedalaman (menggergaji alur) (lihat gambar N)

Baut penyetel pembatas kedalaman (30) harus diputar searah jarum jam ketika akan menggergaji alur.

- Gerakkan lengan perkakas pada gagang (3) di posisi hingga mencapai kedalaman alur yang diinginkan.
- Putar baut penyetel (30) searah jarum jam hingga ujung baut menyentuh housing.
- Gerakkan lengan perkakas ke atas secara perlahan.

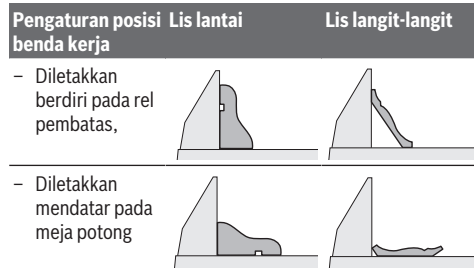
Benda kerja khusus

Saat menggergaji benda kerja dengan bentuk melengkung atau bulat, benda kerja tersebut harus dipegang dengan alat agar tidak tergeser. Pada jalur potong tidak boleh ada celah antara benda kerja, rel pembatas dan meja potong.

Jika perlu harus dibuat penahan khusus.

Mengerjakan lis profil

Lis profil dapat dikerjakan dengan dua cara yang berbeda:



Selalu lakukan uji coba sudut potong yang telah diatur (horizontal dan/atau vertikal) terlebih dulu pada kayu sisa.

Memeriksa dan mengatur pengaturan awal

Untuk menjamin pemotongan yang tepat, penyetelan dasar perkakas listrik harus diperiksa setelah perkakas listrik digunakan secara intensif dan jika perlu lakukan pengaturan. Untuk melakukannya, diperlukan pengalaman dan perkakas khusus yang sesuai.

Pusat layanan pelanggan Bosch akan melakukan pekerjaan ini dengan cepat dan baik.

Mengarahkan rel pembatas

- Posisikan perkakas listrik pada posisi pengangkutan.
- Putar meja potong (7) hingga mencapai alur (45) untuk sudut 0°. Tuas (11) harus benar-benar terkunci pada alur.
- Tarik sepenuhnya rel pembatas yang dapat diatur (17) ke luar.

Memeriksa (lihat gambar O1)

- Atur mistar pengukur sudut pada sudut 90° dan letakkan sejajar dengan mata gergaji (41) di antara rel pembatas (6) dan mata gergaji di atas meja potong (7).

Kaki sudut dari mistar pengukur sudut harus sejajar dengan sepanjang rel pembatas.

Mengatur (lihat gambar O2)

- Kendurkan semua sekrup heksagonal (47) menggunakan kunci L (22) yang disertakan.
- Putar rel pembatas (6) sejauh mungkin hingga sejajar dengan mistar pengukur sudut.
- Kencangkan kembali baut.

Mengatur sudut potong vertikal standar 0°

- Setel perkakas listrik pada posisi pengoperasian.
- Putar meja potong (7) hingga mencapai alur (45) untuk 0°. Tuas (11) harus terasa mengunci pada alur.

Memeriksa (lihat gambar P1)

- Atur mistar pengukur sudut pada 90° dan letakkan di atas meja potong (7).

Kaki pengukur sudut harus rata dengan mata gergaji (41).

Mengatur (lihat gambar P2)

- Kendurkan gagang pengencang (26).
- Kendurkan mur pengunci sekrup pembatas (33) dengan kunci pas (13 mm).
- Putar sekrup pembatas ke dalam atau ke luar sejauh mungkin hingga kaki mistar pengukur sudut sejajar dengan mata gergaji.
- Kencangkan kembali gagang pengencang (26).
- Lalu kencangkan kembali mur pengunci sekrup pembatas (33).

Setelah dilakukan pengaturan, jika indikator sudut (31) tidak berada dalam satu garis dengan tanda 0° skala (32), kendurkan sekrup (48) dengan obeng kembang dan arahkan indikator sudut di sepanjang tanda 0°. (lihat gambar R)

Mengatur sudut potong standar vertikal 45°

- Posisikan perkakas listrik pada posisi pengoperasian.
- Putar meja potong (7) hingga mencapai alur (45) untuk sudut 0°. Tuas (11) harus benar-benar terkunci pada alur.
- Kendurkan gagang pengencang (26) dan gerakkan lengan perkakas pada gagang (3) ke kiri hingga maksimal (45°).

Memeriksa (lihat gambar Q1)

- Atur mistar pengukur sudut pada 45° dan letakkan di atas meja potong (7).

Kaki pengukur sudut harus sejajar dengan mata gergaji (41).

Mengatur (lihat gambar Q2)

- Kendurkan mur pengunci sekrup pembatas (23) dengan kunci pas (13 mm).
- Putar sekrup pembatas ke dalam atau ke luar sejauh mungkin hingga kaki mistar pengukur sudut sejajar dengan mata gergaji.
- Kencangkan kembali gagang pengencang (26).
- Lalu kencangkan kembali mur pengunci sekrup pembatas (23).

Setelah dilakukan pengaturan, jika indikator sudut (31) tidak berada dalam satu garis dengan tanda 45° skala (32), periksa sekali lagi pengaturan 0° untuk sudut potong vertikal dan indikator sudut. Kemudian ulangi pengaturan sudut potong vertikal 45°.

Mengangkut (lihat gambar S)

Sebelum mengangkut perkakas listrik, lakukan langkah-langkah berikut:

- Posisikan perkakas listrik pada posisi pengangkutan.
- Lepas semua komponen aksesoris yang tidak dapat dipasang dengan kencang pada perkakas listrik. Selama pengangkutan, mata gergaji yang tidak dipakai sebaiknya disimpan di dalam tempat tertutup.
- Angkat perkakas listrik pada gagang transpor (28) atau pegang di lekukan tempat memegang (15) di sisi samping pada meja potong.

► **Saat mengangkut perkakas listrik, hanya gunakan komponen transpor dan jangan pernah menggunakan komponen perlindungan.**

Perawatan dan servis**Perawatan dan pembersihan**

- **Sebelum mulai dengan pekerjaan pada perkakas listrik, tariklah steker dari stopkontak.**
- **Perkakas listrik dan lubang ventilasi harus selalu dibersihkan agar perkakas dapat digunakan dengan baik dan aman.**

Jika kabel listrik harus diganti, pekerjaan ini harus dilakukan oleh **Bosch** atau Service Center untuk perkakas listrik **Bosch** resmi agar keselamatan kerja selalu terjamin.

Kap pelindung yang dapat bergerak harus dapat bergerak secara bebas dan menutup sendiri. Karena itu, jaga kebersihan area di sekitar kap pelindung yang dapat bergerak.

Setelah setiap penggunaan, bersihkan perkakas listrik dari debu dan serbuk dengan cara ditiup dengan udara bertekanan atau dengan kuas.

Aksesori

	Nomor seri
3 601 M29 040, 3 601 M29 0B0: Handel ekstensi	1 619 PA6 916
Mata gergaji untuk kayu yang keras, bahan komposit, bahan sintetik dan logam nonbesi	
Mata gergaji 254 x 25,4 mm, 100 gigi	1 609 B00 844
Mata gergaji untuk kayu dan material tipis, panel dan lis	
Mata gergaji 254 x 25,4 mm, 40 gigi	2 608 673 047
Mata gergaji 254 x 25,4 mm, 100 gigi	2 608 640 904

Layanan pelanggan dan konsultasi penggunaan

Layanan pelanggan Bosch menjawab semua pertanyaan Anda tentang reparasi dan perawatan serta tentang suku cadang produk ini. Gambaran teknis (exploded view) dan informasi mengenai suku cadang dapat ditemukan di:

www.bosch-pt.com

Tim konsultasi penggunaan Bosch akan membantu Anda menjawab pertanyaan seputar produk kami beserta aksesorinya.

Jika Anda hendak menanyakan sesuatu atau memesan suku cadang, selalu sebutkan nomor model yang terdiri dari 10 angka dan tercantum pada label tipe produk.

Indonesia

PT Robert Bosch
Palma Tower 10th Floor
Jalan RA Kartini II-S Kaveling 6
Pondok Pinang, Kebayoran Lama
Jakarta Selatan 12310
Tel.: (021) 3005 5800
Fax: (021) 3005 5801
E-Mail: boschpowertools@id.bosch.com
www.bosch-pt.co.id

Cara membuang

Perkakas listrik, aksesoris, dan kemasan sebaiknya didaur ulang secara ramah lingkungan.



Jangan membuang perkakas listrik ke dalam sampah rumah tangga!

Tiếng Việt

Hướng dẫn an toàn

Hướng dẫn an toàn chung cho dụng cụ điện

⚠ CẢNH BÁO Hãy đọc toàn bộ các cảnh báo an toàn, hướng dẫn, hình ảnh và thông số kỹ thuật được cung cấp cho dụng cụ điện cầm tay này. Không tuân thủ mọi hướng dẫn được liệt kê dưới đây có thể bị điện giật, gây cháy và /hay bị thương tật nghiêm trọng.

Hãy giữ tất cả tài liệu về cảnh báo và hướng dẫn để tham khảo về sau.

Thuật ngữ "dụng cụ điện cầm tay" trong phần cảnh báo là để cập đến sự sử dụng dụng cụ điện cầm tay của bạn, loại sử dụng điện nguồn (có dây cắm điện) hay vận hành bằng pin (không dây cắm điện).

Khu vực làm việc an toàn

- **Giữ nơi làm việc sạch và đủ ánh sáng.** Nơi làm việc bừa bộn và tối tăm dễ gây ra tai nạn.

- **Không vận hành dụng cụ điện cầm tay trong môi trường dễ gây nổ, chẳng hạn như nơi có chất lỏng dễ cháy, khí đốt hay rác.** Dụng cụ điện cầm tay tạo ra các tia lửa nên có thể làm rác bén cháy hay bốc khói.
- **Không để trẻ em hay người đến xem đứng gần khi vận hành dụng cụ điện cầm tay.** Sự phân tâm có thể gây ra sự mất điều khiển.

An toàn về điện

- **Phích cắm của dụng cụ điện cầm tay phải thích hợp với ổ cắm.** Không bao giờ được cài biến lại phích cắm dưới mọi hình thức. Không được sử dụng phích tiếp hợp nổi tiếp đất (dây mát). Phích cắm nguyên bản và ổ cắm đúng loại sẽ làm giảm nguy cơ bị điện giật.
- **Tránh không để thân tiếp xúc với đất hay các vật có bề mặt tiếp đất như đường ống, lò sưởi, hàng rào và tủ lạnh.** Có nhiều nguy cơ bị điện giật hơn nếu cơ thể bạn bị tiếp hay nối đất.
- **Không được để dụng cụ điện cầm tay ngoài mưa hay ở tình trạng ẩm ướt.** Nước vào máy sẽ làm tăng nguy cơ bị điện giật.
- **Không được lạm dụng dây dẫn điện.** Không bao giờ được nắm dây dẫn để xách, kéo hay rút phích cắm dụng cụ điện cầm tay. Không để dây gần nơi có nhiệt độ cao, dầu nhớt, vật nhọn bén và bộ phận chuyển động. Làm hỏng hay cuộn rối dây dẫn làm tăng nguy cơ bị điện giật.
- **Khi sử dụng dụng cụ điện cầm tay ngoài trời, dùng dây nối thích hợp cho việc sử dụng ngoài trời.** Sử dụng dây nối thích hợp cho việc sử dụng ngoài trời làm giảm nguy cơ bị điện giật.
- **Nếu việc sử dụng dụng cụ điện cầm tay ở nơi ẩm ướt là không thể tránh được, dùng thiết bị ngắt mạch tự động (RCD) bảo vệ nguồn.** Sử dụng thiết bị ngắt mạch tự động RCD làm giảm nguy cơ bị điện giật.

An toàn cá nhân

- **Hãy tỉnh táo, biết rõ mình đang làm gì và hãy sử dụng ý thức khi vận hành dụng cụ điện cầm tay.** Không sử dụng dụng cụ điện cầm tay khi đang mệt mỏi hay đang bị tác động do chất gây nghiện, rượu hay được phẩm gây ra. Một thoáng mất tập trung khi đang vận hành dụng cụ điện cầm tay có thể gây thương tích nghiêm trọng cho bản thân.
- **Sử dụng trang bị bảo hộ cá nhân.** Luôn luôn đeo kính bảo vệ mắt. Trang bị bảo hộ như khẩu trang, giày chống trượt, nón bảo hộ, hay dụng cụ bảo vệ tai khi được sử dụng đúng nơi đúng chỗ sẽ làm giảm nguy cơ thương tật cho bản thân.
- **Phòng tránh máy khởi động bất ngờ.** Bảo đảm công tắc máy ở vị trí tắt trước khi cắm vào nguồn điện và/hay lắp pin vào, khi nhắc máy lên hay khi mang xách máy. Ngáng ngón

tay vào công tắc máy để xách hay kích hoạt dụng cụ điện cầm tay khi công tắc ở vị trí mở để dẫn đến tai nạn.

- ▶ **Lấy mọi chìa hay khóa điều chỉnh ra trước khi mở điện dụng cụ điện cầm tay.** Khóa hay chìa còn gắn dính vào bộ phận quay của dụng cụ điện cầm tay có thể gây thương tích cho bản thân.
- ▶ **Không rướn người. Luôn luôn giữ tư thế đứng thích hợp và thăng bằng.** Điều này tạo cho việc điều khiển dụng cụ điện cầm tay tốt hơn trong mọi tình huống bất ngờ.
- ▶ **Trang phục thích hợp. Không mặc quần áo rộng lưng thùng hay mang trang sức. Giữ tóc và quần áo xa khỏi các bộ phận chuyển động.** Quần áo rộng lưng thùng, đồ trang sức hay tóc dài có thể bị cuốn vào các bộ phận chuyển động.
- ▶ **Nếu có các thiết bị đi kèm để nối máy hút bụi và các phụ kiện khác, bảo đảm các thiết bị này được nối và sử dụng tốt.** Việc sử dụng các thiết bị gom hút bụi có thể làm giảm các độc hại liên quan đến bụi gây ra.
- ▶ **Không để thói quen do sử dụng thường xuyên dụng cụ khiến bạn trở nên chủ quan và bỏ qua các quy định an toàn dụng cụ.** Một hành vi bất cẩn có thể gây ra thương tích nghiêm trọng chỉ trong tích tắc.

Sử dụng và bảo dưỡng dụng cụ điện cầm tay

- ▶ **Không được ép máy. Sử dụng dụng cụ điện cầm tay đúng loại theo đúng ứng dụng của bạn.** Dụng cụ điện cầm tay đúng chức năng sẽ làm việc tốt và an toàn hơn theo đúng tiến độ mà máy được thiết kế.
- ▶ **Không sử dụng dụng cụ điện cầm tay nếu như công tắc không tắt và mở được.** Bất kỳ dụng cụ điện cầm tay nào mà không thể điều khiển được bằng công tắc là nguy hiểm và phải được sửa chữa.
- ▶ **Rút phích cắm ra khỏi nguồn điện và/hay pin ra khỏi dụng cụ điện cầm tay nếu có thể tháo được, trước khi tiến hành bất kỳ điều chỉnh nào, thay phụ kiện, hay cất dụng cụ điện cầm tay.** Các biện pháp ngăn ngừa như vậy làm giảm nguy cơ dụng cụ điện cầm tay khởi động bất ngờ.
- ▶ **Cất giữ dụng cụ điện cầm tay không dùng tới nơi trẻ em không lấy được và không cho người chưa từng biết dụng cụ điện cầm tay hay các hướng dẫn này sử dụng dụng cụ điện cầm tay.** Dụng cụ điện cầm tay nguy hiểm khi ở trong tay người chưa được chỉ cách sử dụng.
- ▶ **Bảo quản dụng cụ điện cầm tay và các phụ kiện. Kiểm tra xem các bộ phận chuyển động có bị sai lệch hay kẹt, các bộ phận bị rạn nứt và các tình trạng khác có thể ảnh hưởng đến**

sự vận hành của máy. Nếu bị hư hỏng, phải sửa chữa máy trước khi sử dụng. Nhiều tai nạn xảy ra do bảo quản dụng cụ điện cầm tay tồi.

- ▶ **Giữ các dụng cụ cắt bén và sạch.** Bảo quản đúng cách các dụng cụ cắt có cạnh cắt bén làm giảm khả năng bị kẹt và dễ điều khiển hơn.
- ▶ **Sử dụng dụng cụ điện cầm tay, phụ kiện, đầu cài v. v., đúng theo các chỉ dẫn này, hãy lưu ý đến điều kiện làm việc và công việc phải thực hiện.** Sự sử dụng dụng cụ điện cầm tay khác với mục đích thiết kế có thể tạo nên tình huống nguy hiểm.
- ▶ **Giữ tay cầm và bề mặt nắm luôn khô ráo, sạch sẽ và không dính dầu mỡ.** Tay cầm và bề mặt nắm trơn trượt không đem lại thao tác an toàn và kiểm soát dụng cụ trong các tình huống bất ngờ.

Bảo dưỡng

- ▶ **Đưa dụng cụ điện cầm tay của bạn đến thợ chuyên môn để bảo dưỡng, chỉ sử dụng phụ tùng đúng chủng loại để thay.** Điều này sẽ đảm bảo sự an toàn của máy được giữ nguyên.

Cảnh báo an toàn cho cửa kiểu cung

- ▶ **Các cửa kiểu cung được dùng để cắt gỗ hoặc các sản phẩm giống gỗ, không thể dùng các cửa này với các bánh mài cắt đứt để cắt các vật liệu dạng thanh, tròn, chốt.** Bụi mài mòn khiến các bộ phận chuyển động ví dụ như tấm chắn bảo vệ phía dưới bị kẹt. Các tia lửa từ quá trình mài cắt đứt sẽ đốt cháy tấm chắn bảo vệ bên dưới, lớp chèn rãnh khoét và các bộ phận bằng nhựa khác.
- ▶ **Sử dụng kẹp để đỡ phôi gia công bất cứ khi nào có thể. Nếu đỡ phôi gia công bằng tay, phải luôn giữ tay cách xa một trong hai phía của lưỡi cửa ít nhất là 100 mm. Không sử dụng cửa này để cắt các chi tiết quá nhỏ khó kẹp chặt hoặc khó giữ chặt bằng tay.** Nếu tay của bạn đặt quá gần lưỡi cửa, sẽ có nguy cơ bị thương do chạm vào lưỡi cửa.
- ▶ **Phôi gia công phải tĩnh và được kẹp chặt hoặc giữ chặt vào cả tấm chắn và bàn. Không cho phôi gia công vào lưỡi hoặc cắt bằng tay trần dưới bất kỳ hình thức nào.** Các phôi gia công động hoặc không được kim giữ có thể bắn với tốc độ cao, gây ra thương tích.
- ▶ **Đẩy cửa xuyên qua phôi gia công. Không kéo cửa xuyên qua phôi gia công. Để cắt, hãy nâng cao đầu cửa và kéo nó qua phía trên phôi gia công mà không cắt, khởi động mô tơ, nhấn đầu cửa xuống và đẩy cửa xuyên qua phôi gia công.** Việc cắt theo hành trình đi lên có thể khiến lưỡi cửa đi lên phần đỉnh của phôi gia công và làm văng mạnh cụm lưỡi cửa vào người vận hành.

- ▶ **Không được đặt tay ngang qua đường sắp cắt ở phía trước hoặc phía sau lưỡi cưa.** Việc đỡ phôi gia công bằng "hai tay chéo nhau" ví dụ như giữ phôi gia công ở bên phải của lưỡi cưa bằng tay trái và ngược lại sẽ rất nguy hiểm.
- ▶ **Không với tay ra phía sau tấm chắn mà chỉ cách mỗi phía của lưỡi cưa chưa đến 100 mm, để loại bỏ vụn gỗ, hoặc vì lý do nào khác trong khi lưỡi dao đang quay.** Độ gần giữa lưỡi cưa đang quay với bàn tay bạn có thể không rõ ràng và có thể gây ra thương tích nặng.
- ▶ **Kiểm tra phôi gia công trước khi cắt. Nếu phôi bị cong vênh, hãy kẹp phôi gia công có mặt ngoài cong vênh vào tấm chắn. Luôn đảm bảo không có khe hở giữa phôi gia công, tấm chắn và bàn dọc theo đường cắt.** Phôi cong vênh có thể bị vặn xoắn hoặc biến dạng và có thể làm kẹt lưỡi cưa đang quay trong khi cắt. Không được cố định hoặc các vật lạ trong phôi gia công.
- ▶ **Không sử dụng cưa cho đến khi đã dọn sạch tất cả các dụng cụ, vụn gỗ, trên bàn, ngoài trừ phôi gia công.** Những mảnh vụn nhỏ, các mảnh gỗ lỏng hoặc những vật thể khác khi tiếp xúc với lưỡi dao đang quay có thể bị văng ra với tốc độ cao.
- ▶ **Mỗi lần chỉ cắt một phôi gia công.** Nhiều phôi gia công xếp chồng có thể không được kẹp chặt và gia cố chặt, do đó có thể gây kẹt hoặc làm biến dạng lưỡi cưa trong quá trình cắt.
- ▶ **Đảm bảo cưa kiểu cung đã được lắp và định vị cân bằng, gia cố bề mặt làm việc trước khi sử dụng.** Bề mặt làm việc bằng phẳng và chắc chắn sẽ giảm nguy cơ không ổn định của cưa kiểu cung.
- ▶ **Lập kế hoạch công việc.** Mỗi lần bạn thay đổi thiết lập góc xiên hoặc góc 45 độ, hãy đảm bảo tấm chắn điều chỉnh được lắp đặt đúng cách để đỡ phôi gia công và sẽ không gây trở ngại cho lưỡi cưa hay hệ thống chắn. Nếu dụng cụ không quay khi được "BẬT" và không có phôi gia công trên bàn, hãy đưa lưỡi cưa xuyên qua một đường cắt mô phỏng hoàn thiện để đảm bảo sẽ không có trở ngại hoặc nguy hiểm nào khi tấm chắn bị cắt.
- ▶ **Cung cấp đầy đủ các dụng cụ đỡ ví dụ như các phần mở rộng bàn, bệ đỡ máy cưa, vv cho loại phôi gia công rộng hơn hoặc dài hơn chớp bàn.** Các phôi gia công dài hơn hoặc rộng hơn bàn cưa kiểu cung có thể bị đổ nếu không được đỡ chắc chắn. Nếu chi tiết cắt hoặc phôi gia công bị đổ, nó có thể nhắc bóng tấm chắn bên dưới hoặc bị văng xa bởi lưỡi cưa đang quay.
- ▶ **Không sử dụng một người khác để thay thế phần mở rộng bàn hoặc làm vật đỡ bổ sung.** Việc đỡ phôi gia công không chắc chắn có thể khiến lưỡi cưa bị kẹt hoặc phôi gia công bị biến dạng trong lúc cắt, do đó bạn và người trợ giúp có thể bị kéo vào lưỡi cưa đang quay.
- ▶ **Không được chèn hoặc nhấn chi tiết cắt bằng bất kỳ công cụ nào tỳ vào lưỡi cưa đang quay.** Nếu bị giới hạn, tức là sử dụng các cỡ chắn chiều dài, chi tiết cắt có thể bị chèn chặt vào lưỡi cưa và bị văng mạnh.
- ▶ **Luôn sử dụng kẹp hoặc đồ gá được thiết kế để đỡ các vật liệu hình tròn như thanh tròn hoặc ống.** Các thanh tròn có xu hướng lăn đi khi bị cắt, khiến lưỡi cưa bị "kẹp" và kéo sản phẩm cùng tay bạn vào lưỡi cưa.
- ▶ **Để lưỡi cưa đạt tốc độ đầy đủ trước khi cho chạm vào phôi gia công.** Việc này sẽ làm giảm nguy cơ phôi gia công bị văng đi.
- ▶ **Nếu phôi gia công hoặc lưỡi cưa bị kẹt, hãy tắt cưa kiểu cung. Chờ cho tất cả các bộ phận chuyển động dừng lại và rút phích cắm ra khỏi nguồn điện và/hoặc tháo bộ nguồn pin.** Sau đó gỡ vật liệu bị kẹt. Nếu tiếp tục cưa khi phôi gia công bị kẹt có thể gây mất kiểm soát hoặc làm hư hỏng cưa kiểu cung.
- ▶ **Sau khi cắt xong, hãy nhả công tắc, giữ đầu cưa xuống dưới và chờ cho lưỡi cưa dừng lại trước khi bỏ chi tiết cắt ra.** Với tay vào gần lưỡi cưa đang trượt xuống sẽ rất nguy hiểm.
- ▶ **Giữ tay cầm chắc chắn khi thực hiện một đường cắt chưa hoàn thiện hoặc khi nhả công tắc trước khi đầu cưa ở vị trí bên dưới.** Hành động phanh của cưa có thể khiến đầu cưa bị kéo xuống đột ngột, dẫn đến nguy cơ bị thương.
- ▶ **Giữ nơi làm việc của bạn sạch sẽ.** Các hỗn hợp vật liệu là đặc biệt nguy hiểm. Bụi kim loại nhẹ có thể cháy hoặc nổ.
- ▶ **Không được sử dụng lưỡi cưa cùn, nứt, cong hay đã bị hỏng.** Lưỡi cưa không bén hay mài dũa không đúng cách tạo ra mạch cưa hẹp dẫn đến sự ma sát quá mức, lưỡi cưa bị chèn chặt và dội ngược.
- ▶ **Không được sử dụng lưỡi cưa thép gió (HSS).** Những loại lưỡi cưa như vậy có thể vỡ dễ dàng.
- ▶ **Luôn sử dụng các lưỡi cưa đúng kích cỡ và hình dáng (lưỡi kim cương khác với lưỡi tròn) của lỗ tâm.** Các lưỡi cưa không khớp với các phụ kiện cứng ghép nối của máy cưa sẽ làm lệch tâm và có thể làm mất kiểm soát.
- ▶ **Luôn luôn đẩy cần máy trở về vị trí số không trước và sau đó tắt máy.** Luôn luôn đưa tay máy về lại vị trí trung gian trước, rồi sau đó mới tắt máy đi.
- ▶ **Không được chạm vào lưỡi cưa sau khi vừa hoạt động xong, trước khi lưỡi cưa đã nguội.** Lưỡi cưa trở nên rất nóng trong lúc hoạt động.

Các Biểu Tượng

Các biểu tượng sau đây có khả năng diễn đạt ý nghĩa về cách sử dụng dụng cụ điện cầm tay của bạn. Xin vui lòng ghi nhận các biểu tượng và ý nghĩa của chúng. Sự hiểu đúng các biểu tượng sẽ giúp bạn sử dụng máy một cách tốt và an toàn hơn.

Biểu tượng và các ý nghĩa của chúng



Đề tay tránh khỏi phạm vi cắt khi máy đang hoạt động. Có nguy cơ gây thương tích khi chạm vào lưỡi cưa.



Hãy mang mặt nạ chống bụi.



Hãy mang kính bảo hộ.



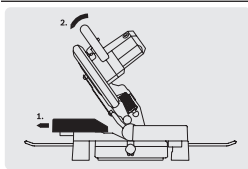
Hãy mang dụng cụ bảo vệ tai.
Để tai trần tiếp xúc với tiếng ồn có thể làm mất thính giác.



Phạm vi nguy hiểm! Để tay, ngón tay hay cánh tay ra xa khỏi phạm vi này.

Ø 254mm
Ø 25,4mm

Hãy tuân thủ kích thước của lưỡi cưa. Đường kính lỗ phải vừa vặn với trục máy của dụng cụ, không bị lỏng lẻo. Nếu cần sử dụng ống nối chuyển tiếp, hãy đảm bảo rằng các kích thước của ống nối chuyển tiếp phải phù hợp với độ dày thép lá và đường kính lỗ của lưỡi cưa cũng như đường kính của trục dụng cụ. Hãy sử dụng ống nối chuyển tiếp giao kèm với lưỡi cưa. Đường kính lưỡi cưa phải phù hợp với thông số trên biểu tượng.



Biểu tượng và các ý nghĩa của chúng

Khi cưa góc/vát/xiên dọc, phải kéo các chốt điều chỉnh được ra ngoài hoặc tháo hoàn toàn.

Mô Tả Sản Phẩm và Đặc Tính Kỹ Thuật



Đọc kỹ mọi cảnh báo an toàn và mọi hướng dẫn. Không tuân thủ mọi cảnh báo và hướng dẫn được liệt kê dưới đây có thể bị điện giật, gây cháy và / hay bị thương tật nghiêm trọng.

Xin lưu ý các hình minh họa trong phần trước của hướng dẫn vận hành.

Sử dụng đúng cách

Dụng cụ điện được thiết kế như loại máy đặt cố định để thực hiện các đường cắt theo chiều dài hay cắt chéo góc. Khi ấy có thể dùng góc xiên ngang -47° đến $+52^\circ$ hoặc góc xiên đứng từ 0° đến 45° . Công suất của dụng cụ điện được thiết kế để cưa gỗ cứng, gỗ mềm, ván dăm và ván ép, cũng như nhôm và nhựa mù.

Các bộ phận được minh họa

Sự đánh số các biểu trưng của sản phẩm là để tham khảo hình minh họa của máy trên trang hình ảnh.

- (1) Chắn bảo vệ lưỡi
- (2) Cán nhà cầm máy
- (3) Tay Nắm
- (4) Công tắc bật/tắt
- (5) Chắn đàn hồi bảo vệ lưỡi
- (6) thước dẫn hướng
- (7) Bàn cưa
- (8) Lỗ để gắn gá kẹp nhanh
- (9) Thanh chèn
- (10) Núm khóa dành cho các góc vát khác nhau (ngang)
- (11) Cán điều chỉnh góc vát (ngang)
- (12) Vạch chỉ độ góc cho góc vát (ngang)
- (13) Thước đo góc vát (ngang)
- (14) Lỗ lắp bắt
- (15) Chỗ lõm để nắm
- (16) Lỗ khoan cho thanh nối mở rộng
- (17) Chấn điều chỉnh được
- (18) Gá kẹp nhanh
- (19) Túi chứa bụi
- (20) Bộ phận dẫn phoi
- (21) Vít tai hông để cố định thanh ngang định vị có thể điều chỉnh

- (22) Chia vặn lục giác (6 mm)/bằng tuốc nơ vít đầu Phillips
- (23) Vít cỡ chặn cho góc xiên góc xiên 45° (đứng)
- (24) Gọng kim loại bảo vệ nghiêng
- (25) Phun vỏ bảo
- (26) Cần khóa cố định các góc vát khác nhau (đứng)
- (27) Khóa an toàn dùng khi di chuyển
- (28) Tay nắm dùng khi di chuyển
- (29) Khóa trục
- (30) Vít điều chỉnh cỡ định độ sâu
- (31) Vạch chỉ độ góc cho góc xiên (đứng)
- (32) Thước đo góc xiên (đứng)
- (33) Vít cỡ chặn góc xiên 0° (đứng)
- (34) Lỗ khoan cho giá đỡ chống nghiêng
- (35) Bộ vít định vị "Giá đỡ chống nghiêng"
- (36) Thanh nối mở rộng
- (37) Vít định vị dành cho tay cầm mở rộng
- (38) Vít bốn cạnh (lắp chắn đàn hồi bảo vệ lưỡi)
- (39) Vít lục giác để cố định lưỡi cửa
- (40) Bích kẹp
- (41) Lưỡi cửa
- (42) Bích kẹp trong
- (43) Vít tai hồng để điều chỉnh độ cao của thanh có gờ
- (44) Thanh ren
- (45) Mấu khóa cho góc vát tiêu chuẩn (ngang)
- (46) Vít bắt thanh chèn
- (47) Vít sáu cạnh của thước dẫn hướng
- (48) Vít bắt vạch chỉ độ góc (đứng)

Thông số kỹ thuật

Cửa kiểu cung và cửa kiểu cung kết hợp GCM 10 MX

Mã số máy		3 601 M29 0..
Công suất vào danh định	W	1700
Tốc độ không tải	min ⁻¹	4800
Trọng lượng theo Quy trình EPTA-Procedure 01:2014	kg	16,8
Cấp độ bảo vệ		□/

Kích thước vật gia công cho phép (tối đa/tối thiểu): (xem „Kích Thước Vật gia Công Cho Phép”, Trang 81)

Các giá trị đã cho có hiệu lực cho điện thế danh định [U] 230 V. Đối với điện thế thấp hơn và các loại máy dành riêng cho một số quốc gia, các giá trị này có thể thay đổi.

Kích thước lưỡi cửa phù hợp

Đường kính lưỡi cửa	mm	254
Độ dày lưỡi	mm	1,8–2,8

Kích thước lưỡi cửa phù hợp

Lỗ lắp lưỡi cắt	mm	25,4
-----------------	----	------

Thông Tin về Tiếng Ồn

Giá trị phát thải tiếng ồn được xác minh phù hợp với **EN 62841-3-9**.

Mức ồn loại A của dụng cụ điện thường là: Mức áp suất âm thanh **92 dB(A)**; Mức công suất âm thanh **105 dB(A)**. Hệ số bất định **K= 3 dB**.

Hãy đeo thiết bị bảo vệ tai!

Giá trị phát thải tiếng ồn quy định trong hướng dẫn này đã được đo theo phương pháp đo tiêu chuẩn và có thể được sử dụng để so sánh các dụng cụ điện với nhau. Nó phù hợp cả cho việc đánh giá phát thải tiếng ồn.

Giá trị phát thải tiếng ồn được quy định dựa trên các ứng dụng chính của dụng cụ điện. Tuy nhiên, nếu dụng cụ điện được sử dụng cho các ứng dụng khác, với dụng cụ lắp thêm bị sai lệch hoặc được bảo dưỡng không đúng cách, có thể làm sai lệch giá trị phát thải tiếng ồn. Điều này có thể gia tăng rõ rệt phát thải tiếng ồn trong suốt thời gian làm việc.

Để đánh giá chính xác phát thải tiếng ồn, cần phải tính toán những lần máy chạy tắt hay bật nhưng không thực sự hoạt động. Điều này có thể giảm rõ rệt phát thải tiếng ồn trong suốt thời gian làm việc.

Sự lắp vào

- ▶ **Phòng ngừa máy khởi động bất ngờ. Trong khi lắp ráp hay có việc làm gì trên máy, phích cắm điện phải được rút ra khỏi nguồn cấp điện.**

Các món được giao



Vui lòng tham khảo hình minh họa phạm vi giao hàng ở đầu hướng dẫn vận hành.

Trước khi vận hành lần đầu, hãy kiểm tra dụng cụ điện xem tất cả các bộ phận theo thiết kế có được cung cấp đầy đủ không:

- Cửa kiểu cung và cửa kiểu cung kết hợp với lưỡi cửa được lắp
- Túi chứa bụi **(19)**
- Gá kẹp nhanh **(18)**
- Chia vặn lục giác/tuốc nơ vít đầu Phillips **(22)**
- Tay cầm chống nghiêng **(24)** với bộ vít định vị **(35)** (2 vít, 2 vòng đệm, 2 đai ốc bốn cạnh)

Lưu ý: Hãy kiểm tra dụng cụ điện xem có hư hỏng nào không.

Trước khi tiến hành sử dụng máy, kiểm tra cẩn thận xem tất cả các chi tiết dùng bảo vệ hay các bộ phận bị hư hỏng nhẹ có hoạt động tốt và theo đúng

quy định không. Tất cả các hư hỏng nhẹ phải được kiểm tra cẩn thận để bảo đảm sự hoạt động của dụng cụ được hoàn hảo. Tất cả các bộ phận phải được lắp ráp đúng cách và tất cả các điều kiện cần có phải được đáp ứng đúng và đủ để bảo đảm sự hoạt động được hoàn hảo.

Các chi tiết bảo vệ và các bộ phận hư hỏng phải được thay ngay thông qua một trung tâm bảo hành-bảo trì được ủy nhiệm.

Lắp Ráp Các Thành Phần Chi Tiết

- Lấy tất cả các bộ phận được giao kèm theo máy ra khỏi bao bì một cách cẩn thận.
- Lấy tất cả các gói tài liệu hướng dẫn và các phụ kiện giao kèm ra khỏi máy.

Lắp giá đỡ chống nghiêng (xem Hình A)

Trước khi sử dụng lần đầu dụng cụ điện, bạn phải lắp giá đỡ chống nghiêng (24).

Chỉ sử dụng để lắp bộ vít định vị „Giá đỡ chống nghiêng“ (35).

- Cắm đai ốc bốn cạnh (35) vào các lỗ khoan đã định trước (34) trên bản đệm.
- Đặt vòng đệm (35) lên vít định vị (35) và bắt vít tay cầm mở rộng (24) vào đai ốc đã sử dụng.
- ▶ **Không tháo giá đỡ chống nghiêng.** Không sử dụng thiết bị bảo vệ chống lật, máy không thể trụ vững an toàn và có thể bị lật ngang, đặc biệt là khi cửa các góc vát/xiên tối đa.

Lắp thanh nối mở rộng (xem Hình B)

Các chi tiết gia công dài và/hay nặng phải được kê đỡ ở phần đầu trống.

Để mở rộng bàn cửa thêm, ta có thể lắp các thanh nối mở rộng ở cả bên phải hoặc trái của dụng cụ điện.

- Hãy đẩy thanh nối mở rộng (36) vào cả hai bên cửa dụng cụ điện cho đến cỡ chặn vào các lỗ đã cho (16).
- Siết chặt vít định vị (37) để cố định tay cầm mở rộng.

Lắp bắt cố định hay linh hoạt

▶ Để bảo đảm sự điều khiển được an toàn, máy phải được lắp bắt lên trên một bề mặt phẳng và vững chãi (vd. bàn thợ) trước khi sử dụng.

Lắp ráp trên bề mặt gia công (xem Hình C1–C2)

- Bắt chắc dụng cụ điện bằng loại vít lắp bắt thích hợp lên trên bề mặt gia công. Các lỗ khoan dùng cho mục đích này (14).

hoặc

- Kẹp dụng cụ điện bằng loại hàm kẹp có trên thị trường, và kẹp các chân máy vào bề mặt gia công.

Lắp ráp trên giá cửa Bosch

Với các chân có thể điều chỉnh được chiều cao, giá cửa GTA Bosch tạo được sự vững chắc cho dụng

cụ điện khi đặt trên bất kỳ bề mặt nào. Chi tiết gia công hỗ trợ của giá cửa được sử dụng để làm nền đỡ cho vật gia công dài.

▶ **Hãy đọc mọi cảnh báo và hướng dẫn đính kèm giá cửa.** Không tuân thủ các cảnh báo an toàn và hướng dẫn có thể dẫn đến việc bị điện giật, cháy và/hoặc gây ra thương tích nghiêm trọng.

▶ **Lắp ráp giá cửa đúng cách trước khi gắn dụng cụ điện.** Sự lắp ráp hoàn hảo là quan trọng để ngăn ngừa nguy cơ bị sập.

- Gắn lắp dụng cụ điện lên giá cửa ở tư thế vận chuyển.

Hút Dặm/Bụi

Mạt bụi từ các vật liệu được sơn phủ ngoài có chứa chì trên một số loại gỗ, khoáng vật và kim loại có thể gây nguy hại đến sức khỏe con người. Dụng cụ chạm hay hít thở các bụi này có thể làm người sử dụng hay đứng gần bị dị ứng và/hoặc gây nhiễm trùng hệ hô hấp.

Một số hạt bụi cụ thể, ví dụ như bụi gỗ sồi hay đậu, được xem là chất gây ung thư, đặc biệt là có liên quan đến các chất phụ gia dùng xử lý gỗ (chất cromat, chất bảo quản gỗ). Có thể chỉ nên để thợ chuyên môn gia công các loại vật liệu có chứa amiăng.

- Cách xa ở mức có thể được, sử dụng hệ thống hút thích hợp cho loại vật liệu.
- Tạo không khí thông thoáng nơi làm việc.
- Khuyến nghị nên mang mặt nạ phòng độc có bộ lọc cấp P2.

Tuân thủ các qui định của quốc gia bạn liên quan đến loại vật liệu gia công.

▶ **Tránh không để rác tích tụ tại nơi làm việc.**

Rác có thể dễ dàng bắt lửa.

Sự hút bụi/dặm có thể bị bụi, dăm hay các mảnh nhỏ của vật gia công làm cho tắc nghẽn lại.

- Tắt máy và kéo phích cắm điện nguồn ra khỏi ổ cắm.
- Hãy chờ cho đến khi lưỡi cửa dừng hẳn.
- Xác định nguyên nhân làm tắc nghẽn và chỉnh sửa lại.

Hệ thống hút bụi tích hợp (xem hình D)

Để dễ dàng hứng các vỏ bào, hãy sử dụng túi chứa bụi kèm theo (19).

- Hãy gắn túi chứa bụi (19) lên lỗ phun vỏ bào (25).

Trong thời gian cửa, túi đựng bụi không được chạm vào các bộ phận chuyển động được của máy.

Luôn luôn trút sạch túi đựng bụi đúng lúc.

▶ **Kiểm tra và làm sạch túi chứa bụi sau mỗi lần sử dụng.**

▶ **Khi cửa vật liệu bằng nhôm, tháo túi chứa bụi ra để ngăn nguy cơ gây cháy.**

Máy Hút Bụi Ngoài

Để hút bụi, trên lỗ phun vỏ bảo (25) bạn có thể gắn một ống hút bụi (Ø 35 mm).

– Gắn ống hút bụi với vít khóa cầu thanh (25).

Máy hút bụi phải thích hợp dành cho loại vật liệu đang gia công.

Khi hút bụi khô loại đặc biệt gây nguy hại đến sức khỏe hoặc gây ra ung thư, hãy sử dụng máy hút bụi loại chuyên dụng.

Thay lưới cửa (xem Hình E1–E3)

- ▶ Trước khi tiến hành bất cứ việc gì trên máy, kéo phích cắm điện nguồn ra.
- ▶ Khi lắp ráp lưới cửa, hãy mang găng tay bảo hộ vào. Nếu chạm vào lưới cửa sẽ có nguy cơ bị thương.

Chỉ sử dụng lưới cửa có tốc độ tối đa cho phép cao hơn tốc độ không tải của dụng cụ điện.

Chỉ sử dụng lưới cửa phù hợp với các đặc tính kỹ thuật được ghi rõ trong các hướng dẫn sử dụng và đã được thử nghiệm, và được đánh dấu đáp ứng tiêu chuẩn EN 847-1.

Chỉ sử dụng lưới cửa do nhà sản xuất máy khuyến nghị, và thích hợp để cửa loại vật liệu được gia công cắt. Điều này giúp tránh được quá nhiệt răng cửa khi cửa.

Tháo Lưới Cửa

- Đặt máy ở vào tư thế hoạt động.
- Ấn lên cần điều khiển (2) và xoay chắn dãn hồi bảo vệ lưới (5) về phía sau đến cỡ chặn. Giữ chắn dãn hồi bảo vệ lưới cửa ở tư thế này.
- Hãy nới lỏng vít (38) bằng tước nơ vít đầu Phillips kèm theo (22) đến khi bạn có thể xoay bộ phận cố định chắn dãn hồi bảo vệ lưới ra sau đến cỡ chặn.
- Vận vít lục giác chìm (39) bằng chìa vận lục giác (22) và đóng thời ấn khóa hãm trục (29), cho đến khi khớp vào.
- Giữ nhấn khóa trục máy (29) và tháo vít (39) ra theo chiều kim đồng hồ (ren chiều trái!).
- Tháo bích kẹp (40).
- Tháo lưới cửa (41).

Lắp Lưới Cửa

Nếu thấy cần, làm sạch tất cả các bộ phận sắp lắp vào trước khi lắp.

- Lắp lưới cửa mới vào lên trên bích kẹp trong (42).
- ▶ Khi lắp lưới cửa, hãy lưu ý rằng chiều cắt của răng (chiều của mũi tên trên lưới cửa) cùng chiều với chiều mũi tên trên chắn bảo vệ!
- Đặt lên trên bích kẹp (40) và vít (39). Nhấn khóa trục máy (29) cho đến khi vào khớp và siết chặt vít ngược chiều kim đồng hồ.
- Nhấn chắn dãn hồi bảo vệ lưới (5) hướng về phía trước bên dưới, cho đến khi vít (38) khớp

vào khe tương ứng.

Để thực hiện, có khả năng bạn phải nắm chặn để cân máy chịu lực ngược lại để đạt sự căng trước của chắn dãn hồi bảo vệ lưới.

- Cố định chắn dãn hồi bảo vệ lưới (5) lại (Siết chặt vít (38)).
- Ấn lên cần điều khiển (2) và dẫn chắn dãn hồi bảo vệ lưới về phía sau.
- ▶ Khi lắp bích kẹp hãy lưu ý rằng chiều rộng chỉ về phía lưới cửa. Với hướng lắp ngược lại, lưới cửa có thể không được siết chặt.

Vận Hành

- ▶ Trước khi tiến hành bất cứ việc gì trên máy, kéo phích cắm điện nguồn ra.

Khóa an toàn dùng khi di chuyển (xem hình F)

Khóa an toàn dùng khi di chuyển (27) cho phép xử lý dụng cụ điện dễ dàng hơn khi di chuyển máy đến các địa điểm làm việc khác nhau.

Tháo Khóa Máy (Vị Trí Hoạt Động)

- Ấn nhẹ dụng cụ xuống ở vị trí tay nắm (3) để nhả khóa an toàn dùng khi di chuyển (27).
- Kéo khóa an toàn dùng khi di chuyển (27) hoàn toàn rời ra ngoài.
- Nhấc tay máy lên từ từ.

Lưu ý: Khi làm việc hãy lưu ý rằng thiết bị an toàn vận chuyển không được ấn vào trong, nếu không tay máy có thể không được xoay tới độ sâu mong muốn.

Bảo Vệ An Toàn Máy (Vị Trí Di Chuyển)

- Hãy xoay cỡ định độ sâu vào trong sao cho tay máy ở tay cầm có thể được xoay hoàn toàn xuống dưới (3).
- Hãy ấn lên cần điều khiển (2) và xoay tay máy trên tay cầm (3) xuống dưới cho đến khi ngàm vận chuyển (27) được ấn hoàn toàn vào trong.

Cần máy lúc này đã được khóa an toàn lại để chuyển vận.

Chuẩn Bị cho sự Hoạt Động

Di chuyển chắn (xem hình G)

Khi cửa các góc vuông theo chiều dọc, bạn phải di chuyển các thanh ngang định vị có thể điều chỉnh (17).

- Hãy nhả bu-long tai hồng (21).
- Kéo chắn điều chỉnh được (17) ra ngoài hoàn toàn.
- Siết chặt lại vít tai hồng (21).

Sau khi cửa các góc vuông theo chiều dọc, đẩy các thanh ngang định vị có thể điều chỉnh (17) trở lại (Nới lỏng vít tai hồng (21); đẩy thanh ngang định vị

(17) hoàn toàn vào trong; siết chặt vít tai hồng trở lại).

Cố định vật gia công (xem Hình H)

Để đảm bảo an toàn lao động tốt nhất, vật gia công phải luôn luôn được kẹp chặt.

Nếu không, khoảng cách từ tay của bạn đến lưỡi cửa đang quay là quá nhỏ.

- Đẩy thật sát vật gia công vào thước dẫn hướng (6) và (17).
- Lắp gá kẹp nhanh được giao kèm máy (18) vào một trong các lỗ khoan được thiết kế cho nó (8).
- Nới lỏng vít tai hồng (43) và lắp bắt gá kẹp nhanh vào vật gia công. Siết chặt vít tai hồng lại như cũ.
- Siết thanh ren (44) thật chặt để cố định vật gia công.

Giải Phóng Vật Gia Công

- Để nhả gá kẹp nhanh hãy xoay thanh ren (44) ngược chiều kim đồng hồ.

Điều Chỉnh Góc Xiên dọc và ngang

- ▶ Trước khi tiến hành bất cứ việc gì trên máy, kéo phích cắm điện nguồn ra.

Để bảo đảm đường cắt chính xác, sự điều chỉnh cơ bản của máy phải được kiểm tra và điều chỉnh lại như là việc cần thiết sau khi hoạt động cao độ.

Việc này đòi hỏi phải có một mức độ kinh nghiệm nhất định và các dụng cụ chuyên môn thích hợp.

Trạm phục vụ hàng sau khi bán của Bosch sẽ xử lý việc bảo trì này một cách nhanh chóng và đáng tin cậy.

- ▶ Luôn vận nùm khóa thật chặt (10) trước khi cưa. Nếu không, lưỡi cưa có thể bị kẹp chặt trong vật gia công.

Điều chỉnh góc vát ngang (xem hình I)

Có thể điều chỉnh góc vát ngang trong phạm vi từ 47° (bên trái) đến 52° (bên phải).

- Nới lỏng nùm khóa (10) trong trường hợp đã được siết chặt.
- Kéo cần (11), xoay bàn cưa (7) về bên trái hay bên phải mẫu khóa và điều chỉnh góc vát ngang mong muốn nhờ bộ chỉ báo góc (12).
- Siết chặt nùm khóa (10) lại như trước.

Mẫu khóa trên bàn cưa được thiết kế để điều chỉnh nhanh và chính xác các góc vát ngang thường được sử dụng (45):

Trái	0°	bên phải
45°; 30°; 22,5°; 15°		15°; 22,5°; 30°; 45°
<ul style="list-style-type: none"> – Nới lỏng nùm khóa (10) trong trường hợp đã được siết chặt. – Kéo cần (11) và xoay bàn cưa (7) tới chỗ cưa mong muốn về bên phải hay bên trái. – Thả cần ra lại. Cần phải ăn khớp với mẫu khóa. 		

- Siết chặt nùm khóa (10) lại như trước.

Điều chỉnh góc vát dọc (xem hình J)

Góc xiên đứng có thể được điều chỉnh trong phạm vi từ 0° đến 45°.

- Nới lỏng cần khóa (26).
- Xoay tay máy bằng tay nắm (3) sang phải cho đến khi chỉ báo góc (31) chỉ rõ góc vát dọc mong muốn.
- Giữ tay máy ở nguyên vị trí này và siết chặt cần khóa (26) lại như trước.

Để điều chỉnh nhanh và chính xác góc tiêu chuẩn 0° và 45°, phải có các vít cũ chặn được điều chỉnh ((33) và (23)).

- Nới lỏng cần khóa (26).
- Bạn hãy quay cần dụng cụ tại tay cầm (3) tới cũ chặn về phía bên phải (0°) hoặc tới cũ chặn về phía bên trái (45°).
- Siết chặt cần khóa (26) lại như trước.

Bắt Đầu Vận Hành

- ▶ Hãy cẩn thận với nguồn điện! Điện thế nguồn phải đúng với điện thế đã ghi rõ trên nhãn máy. Dụng cụ điện được ghi 230 V cũng có thể được vận hành ở 220 V.

Bật (xem hình K)

- Để vận hành hãy nhấn công tắc Bật/tắt (4) và nhấn giữ.

Lưu ý: Vì lý do an toàn, không thể mở khóa công tắc Tắt/Mở (4), mà phải luôn bấm giữ trong khi vận hành dụng cụ.

Chỉ bằng cách nhấn lên cần điều khiển (2) tay máy mới có thể được dẫn xuống dưới.

- Để cưa, cùng với kích hoạt công tắc bật/tắt (4) hãy nhấn cần điều khiển (2).

Để tắt máy

- Để Tắt máy thả công tắc Tắt/Mở (4) ra.

Hướng Dẫn Sử Dụng

Các Hướng Dẫn Cưa Tổng Quát

- ▶ Luôn siết thật chặt nùm khóa (10) và cần khóa (26) trước khi cưa. Nếu không, lưỡi cưa có thể bị kẹp chặt trong vật gia công.
- ▶ Trong mọi kiểu cắt, trước tiên phải bảo đảm rằng lưỡi cưa trong bất cứ trường hợp nào cũng không thể chạm vào thanh chắn, vít ngàm khóa hay các bộ phận máy khác. Tháo cũ chặn phụ có thể đã được gắn vào hay điều chỉnh chúng cho thích ứng.

Bảo vệ lưỡi cưa tránh bị va đập hay chạm mạnh. Không để lưỡi cưa phải chịu lực áp hông.

Không được cưa vật gia công bị cong hay bị oằn. Vật gia công phải luôn luôn có cạnh thẳng và áp sát vào thanh chắn.

Các chi tiết gia công dài và/hay nặng phải được kê đỡ ở phần đầu trống.

Đảm bảo chắn đàn hồi bảo vệ lưỡi hoạt động đúng quy định và có thể di chuyển linh hoạt. Khi kéo tay máy xuống, chắn đàn hồi bảo vệ lưỡi phải mở. Khi kéo tay máy lên, chắn đàn hồi bảo vệ lưỡi phải đóng lại trên lưỡi cưa và khóa vào vị trí trên cùng của tay máy.

Chỉ cưa các vật liệu đã được phê duyệt để sử dụng đúng cách.

Tư thế của người thao tác (xem hình L)

- ▶ **Không được đứng thẳng hàng với lưỡi cưa ở đằng trước máy. Luôn luôn đứng qua một bên lưỡi cưa.** Điều này phòng tránh cho thân thể bạn gặp khả năng bị đứt ngược.
- Để tay, ngón tay và cánh tay tránh khỏi lưỡi cưa đang quay.
- Không vươn tay qua trước tay máy.

Kích Thước Vật gia Công Cho Phép

Vật gia công Tối đa:

Góc xiên nằm ngang	Góc xiên nằm đứng	Chiều cao x Chiều rộng [mm]	
		ở chiều cao tối đa	ở chiều rộng tối đa
0°	0°	89 x 89	62 x 130
45°	0°	86 x 67	65 x 91
0°	45°	44 x 95	32 x 130
45°	45°	44 x 67	32 x 91

Vật gia công tối thiểu (= tất cả các vật gia công có kẹp hãm nhanh được giao cùng máy có thể được căng ở hai bên trái và phải lưỡi cưa): 110 x 130 mm (Dài x Rộng)

Độ sâu vết cắt tối đa (0°/0°): 89 mm

Thay thanh chèn (xem Hình M)

Tấm ốp (9) có thể bị rách sau một thời gian dài sử dụng dụng cụ điện.

Thay thanh chèn bị hỏng.

- Đặt máy ở vào tư thế hoạt động.
- Tháo vít (46) bằng tua vít bốn cạnh kèm theo (22) và gỡ bỏ tấm ốp cũ.
- Vận thanh chèn cùng với đinh vít (46) sang phải càng xa càng tốt, sao cho lưỡi cưa không thể chạm vào thanh chèn trên toàn bộ chiều dài của chuyển động cắt có thể.

Cưa (cắt đứt đoạn)

- Kẹp vật gia công thật chặt phù hợp với kích thước của nó.
- Điều chỉnh góc vát/xiên ngang và/hay thẳng đứng theo yêu cầu.
- Điều chỉnh độ cao của vít điều chỉnh (30) để vật gia công có thể hoàn toàn được cưa xuyên.

- Bật công tắc cho máy hoạt động.
- Ấn lên cần điều khiển (2) và dẫn tay máy với tay nắm (3) chậm chậm xuống dưới.
- Cắt xuyên qua vật gia công với lực áp lên máy đồng đều.
- Tắt máy và đợi cho đến khi lưỡi cưa đã ngừng quay hoàn toàn.
- Nhấc tay máy lên từ từ.

Điều chỉnh cỡ định độ sâu (Cưa rãnh) (xem Hình N)

Vít điều chỉnh (30) của thước đo chiều sâu phải được quay theo chiều kim đồng hồ, khi bạn muốn cưa rãnh.

- Xoay tay dụng cụ ở tay cầm (3) vào vị trí đạt được độ sâu rãnh như mong muốn.
- Siết vít điều chỉnh (30) theo chiều kim đồng hồ cho tới khi đuôi vít chạm vào cỡ chặn của vỏ máy.
- Nhấc tay máy lên từ từ.

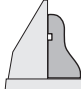

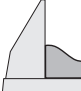

Vật Gia Công Đặc Biệt

Khi cưa vật gia công có đường cong hay tròn, những vật này đặc biệt cần phải được giữ cho chắc chắn, tránh không để bị tuột. Tại đường cắt, không được có khe hở nào giữa vật gia công, thanh chắn và bàn cưa.

Nếu cần, gia cố thêm sự cố định một cách đặc biệt.

Xử lý dải biên dạng

Chỉ gia công chỉ trang trí định hình theo hai cách khác nhau:

Định vị trí của vật gia công	Sàn	Trần
– được đặt tỉ vào thanh chắn		
– nằm phẳng trên bàn cưa		

Trước tiên, luôn thử góc vát đã điều chỉnh (ngang và/hoặc đứng) bằng một mẫu gỗ bỏ đi.

Kiểm tra và điều chỉnh các thiết lập cơ bản

Để bảo đảm đường cắt chính xác, sự điều chỉnh cơ bản của máy phải được kiểm tra và điều chỉnh lại như là việc cần thiết sau khi hoạt động cao độ. Việc này đòi hỏi phải có một mức độ kinh nghiệm nhất định và các dụng cụ chuyên môn thích hợp. Trạm phục vụ hàng sau khi bán của Bosch sẽ xử lý việc bảo trì này một cách nhanh chóng và đáng tin cậy.

So Thẳng Thanh Chặn

- Đưa máy vào vị trí vận chuyển.
- Xoay bàn cửa (7) đến mấu khóa (45) để đạt 0°. Cần (11) phải ăn khớp vào mấu khóa.
- Kéo chốt điều chỉnh được (17) ra ngoài hoàn toàn.

Kiểm tra (xem hình O1)

- Điều chỉnh thước đo góc thành 90° và đặt thước đo vừa vận với lưỡi cửa (41) giữa thước dẫn hướng (6) và lưỡi cửa lên trên bàn cửa (7).

Chân thước đo góc phải nằm ngang bằng dọc theo toàn bộ chiều dài của thanh chặn.

Điều chỉnh (xem Hình O2)

- Bạn hãy nối lỏng vít lục giác chìm (47) bằng chia vận lục giác kèm theo dụng cụ (22).
- Vận thước dẫn hướng (6) cho đến khi thước đo góc ngang bằng dọc theo toàn bộ chiều dài.
- Siết chặt các vít lại như cũ.

Điều chỉnh góc xiên đứng tiêu chuẩn 0°

- Đưa máy vào vị trí vận chuyển.
- Xoay bàn cửa (7) đến mấu khóa (45) để đạt 0°. Cần (11) phải ăn khớp vào mấu khóa.

Kiểm tra (xem hình P1)

- Chính thước đo góc đến 90° và đặt nó lên bàn cửa (7).

Chân thước đo góc phải nằm ngang bằng với lưỡi cửa (41) dọc theo toàn bộ chiều dài.

Điều chỉnh (xem Hình P2)

- Nối lỏng cần khóa (26).
- Nối lỏng đai ốc hãm của vít cũ chặn (33) bằng chia vận điều chỉnh hoặc chia vận ống lồng thông dụng (13mm).
- Vận vít cũ chặn vào hoặc ra cho đến khi chân của thước đo góc ngang bằng với lưỡi cửa dọc theo toàn bộ chiều dài.
- Siết chặt cần khóa (26) lại như trước.
- Sau đó, siết chặt đai ốc hãm của vít cũ chặn (33) một lần nữa.

Nếu chỉ báo góc (31) không nằm thẳng với vạch 0° trên thước (32) sau khi điều chỉnh, hãy nối lỏng vít (48) bằng tước nở vít đầu Phillips thông dụng và căn chỉnh chỉ báo góc dọc theo vạch 0°. (xem Hình R)

Điều chỉnh góc xiên đứng tiêu chuẩn 45°

- Đặt máy ở vào tư thế hoạt động.
- Xoay bàn cửa (7) đến mấu khóa (45) để đạt 0°. Cần (11) phải ăn khớp vào mấu khóa.
- Nối lỏng cần khóa (26) và xoay tay máy bằng tay nắm (3) sang trái cho đến cũ chặn (45°).

Kiểm tra (xem hình Q1)

- Chính thước góc đến 45° và đặt lên bàn cửa (7).

Chân thước đo góc phải nằm ngang bằng với lưỡi cửa (41) dọc theo toàn bộ chiều dài.

Điều chỉnh (xem Hình Q2)

- Nối lỏng đai ốc hãm của vít cũ chặn (23) bằng chia vận điều chỉnh hoặc chia vận ống lồng thông dụng (13 mm).
- Vận vít cũ chặn vào hoặc ra cho đến khi chân của thước đo góc ngang bằng với lưỡi cửa dọc theo toàn bộ chiều dài.
- Siết chặt cần khóa (26) lại như trước.
- Sau đó, siết chặt đai ốc hãm của vít cũ chặn (23) một lần nữa.

Nếu chỉ báo góc (31) không nằm thẳng với vạch 45° của thước (32) sau khi điều chỉnh, trước tiên hãy kiểm tra một lần nữa thiết lập 0° cho góc xiên đứng và chỉ báo góc. Sau đó, lặp lại bước điều chỉnh góc xiên đứng 45°.

Vận chuyển (xem hình S)

Trước khi vận chuyển dụng cụ điện, phải tiến hành các bước như sau:

- Đưa máy vào vị trí vận chuyển.
- Nếu có thể, đặt những lưỡi cửa không được sử dụng tới vào trong một bao bì đóng gói để chuyển vận. Nếu có thể, đặt những lưỡi cửa không được sử dụng tới vào trong một bao bì đóng gói để chuyển vận.
- Khi vận chuyển dụng cụ điện, chỉ cầm vào tay xách dùng để vận chuyển (28) hoặc cầm vào hốc nắm (15) ở bên cạnh bàn cửa.
- ▶ **Khi vận chuyển dụng cụ điện, chỉ sử dụng các thiết bị dùng vận chuyển và không bao giờ sử dụng thiết bị bảo vệ để mang hay xách.**

Bảo Dưỡng và Bảo Quản**Bảo Dưỡng Và Làm Sạch**

- ▶ **Trước khi tiến hành bất cứ việc gì trên máy, kéo phích cắm điện nguồn ra.**
- ▶ **Để được an toàn và máy hoạt động đúng chức năng, luôn luôn giữ máy và các khe thông gió được sạch.**

Nếu như cần phải thay dây dẫn điện thì công việc này phải do hãng **Bosch**, hay một đại lý được **Bosch** ủy nhiệm thực hiện để tránh gặp sự nguy hiểm do mất an toàn.

Chấn bảo vệ lưỡi đàn hồi phải luôn luôn có thể chuyển động tự do, co thắt tự động. Vì vậy, luôn luôn giữ cho phạm vi chung quanh chấn bảo vệ lưỡi đàn hồi được sạch.

Làm sạch bụi và dăm sau mỗi lần sử dụng máy bằng cách dùng hơi nén để thổi hay bằng cọ.

Phụ kiện

Mã số máy

3 601 M29 040, 3 601 M29 0B0:
Thanh nổi mở rộng 1 619 PA6 916

Lưới cửa gỗ cứng, vật liệu tổng hợp, nhựa và kim loại màu

Lưới cửa 254 x 25.4 mm, 100 răng 1 609 B00 844

Lưới cửa gỗ và vật liệu dạng tấm, ván ô và nẹp

Lưới cửa 254 x 25.4 mm, 40 răng 2 608 673 047

Lưới cửa 254 x 25.4 mm, 100 răng 2 608 640 904

Dịch vụ hỗ trợ khách hàng và tư vấn sử dụng

Bộ phận phục vụ hàng sau khi bán của chúng tôi trả lời các câu hỏi liên quan đến việc bảo dưỡng và sửa chữa các sản phẩm cũng như phụ tùng thay thế của bạn. Sơ đồ mô tả và thông tin về phụ tùng thay thế cũng có thể tra cứu theo dưới đây:

www.bosch-pt.com

Đội ngũ tư vấn sử dụng của Bosch sẽ giúp bạn giải đáp các thắc mắc về sản phẩm và phụ kiện.

Trong tất cả các phản hồi và đơn đặt phụ tùng, xin vui lòng luôn luôn nhập số hàng hóa 10 chữ số theo nhãn của hàng hóa.

Việt Nam

CN CÔNG TY TNHH BOSCH VIỆT NAM TẠI TP.HCM

Tầng 14, Ngôi Nhà Đức, 33 Lê Duẩn
Phường Bến Nghé, Quận 1, Thành Phố Hồ Chí Minh

Tel.: (028) 6258 3690

Fax: (028) 6258 3692 - 6258 3694

Hotline: (028) 6250 8555

Email: tuvankhachhang-pt@vn.bosch.com

www.bosch-pt.com.vn

www.baohanhbosch-pt.com.vn

Campuchia

Công ty TNHH Robert Bosch (Campuchia)

Đơn nguyên 8BC, GT Tower, Tầng 08,
Đường 169, Tiệp Khắc Blvd, Sangkat Veal Vong,
Khan 7 Makara, Phnom Penh

VAT TIN: 100 169 511

Tel.: +855 23 900 685

Tel.: +855 23 900 660

www.bosch.com.kh

Sự thái độ

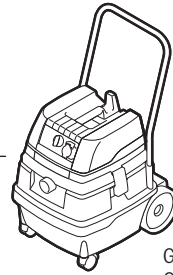
Máy, linh kiện và bao bì phải được phân loại để tái chế theo hướng thân thiện với môi trường.



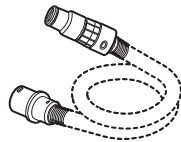
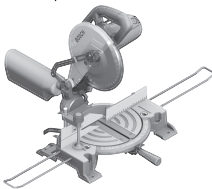
Không được thải bỏ dụng cụ điện vào chung với rác sinh hoạt!



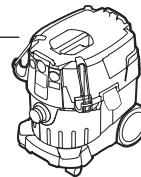
Ø 35 mm:
2 607 002 163 (3 m)
2 607 002 164 (5 m)



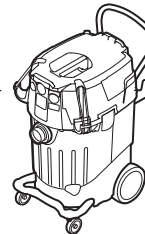
GAS 25 L SFC
GAS 50
GAS 50 M



Ø 35 mm:
2 608 000 569 (3 m)
2 608 000 565 (5 m)
Ø 35 mm:
2 608 000 570 (3 m)
2 608 000 566 (5 m)



GAS 35 L SFC+
GAS 35 L AFC
GAS 35 M AFC



GAS 55 M AFC