



LiKo



Robert Bosch Power Tools GmbH
70538 Stuttgart
GERMANY

www.bosch-pt.com

1 609 92A 2F0 (2015.06) | / 145 ASIA



1 609 92A 2F0

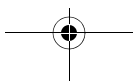
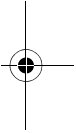
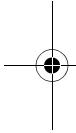
- en** Original instructions
- fr** Notice originale
- pt** Manual original
- cn** 正本使用说明书
- tw** 原始使用說明書
- ko** 사용 설명서 원본
- th** หนังสือคู่มือการใช้งานฉบับต้นแบบ
- id** Petunjuk-Petunjuk untuk Penggunaan Orisinal
- vi** Bản gốc hướng dẫn sử dụng
- ar** تعليمات التشغيل الأصلية
- fa** دفترچه راهنمای اصلی

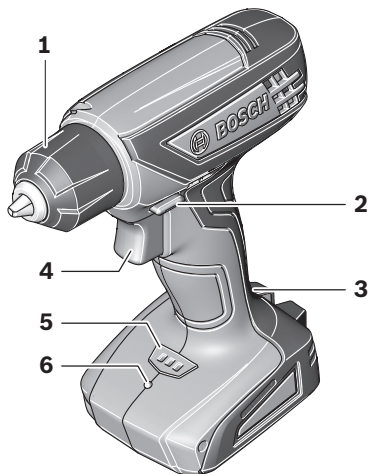




2 |

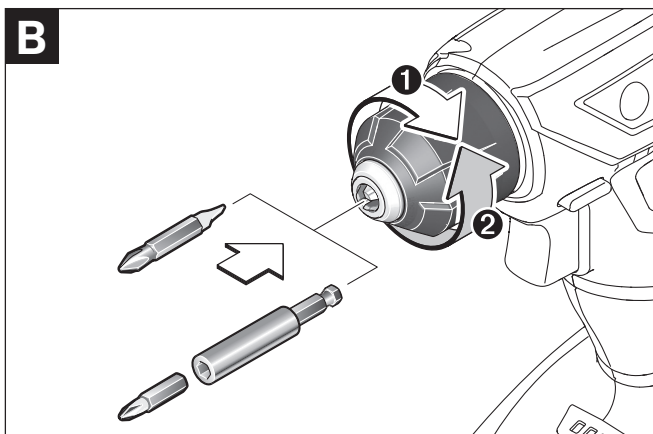
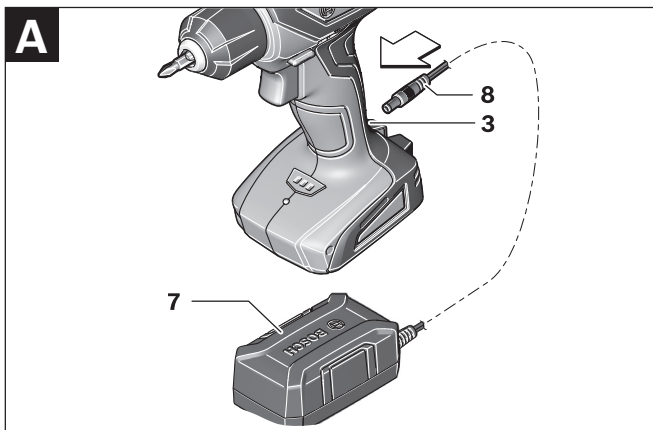
English	Page	6
Français	Page	22
Português	Página	34
中文	页	46
中文	頁	57
한국어	페이지	68
ภาษาไทย	หน้า	80
Bahasa Indonesia	Halaman	92
Tiếng Việt	Trang	105
عربي	صفحة	131
فارسی	صفحه	144

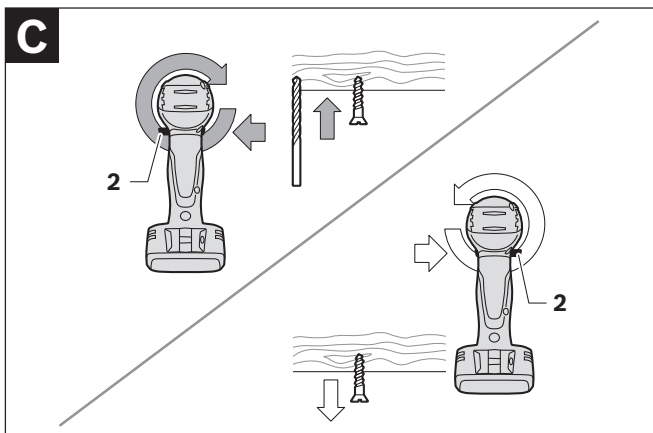




LiKo

4 |





6 | English

English

Safety Notes

General Power Tool Safety Warnings

⚠ WARNING Read all safety warnings and all instructions. Failure to follow the warnings and instructions may result in electric shock, fire and/or serious injury.

Save all warnings and instructions for future reference.

The term “power tool” in the warnings refers to your mains-operated (corded) power tool or battery-operated (cordless) power tool.

Work area safety

- ▶ **Keep work area clean and well lit.** Cluttered or dark areas invite accidents.
- ▶ **Do not operate power tools in explosive atmospheres, such as in the presence of flammable liquids, gases or dust.** Power tools create sparks which may ignite the dust or fumes.
- ▶ **Keep children and bystanders away while operating a power tool.** Distractions can cause you to lose control.

Electrical safety

- ▶ **Power tool plugs must match the outlet. Never modify the plug in any way. Do not use any adapter plugs with earthed (grounded) power tools.** Unmodified plugs and matching outlets will reduce risk of electric shock.
- ▶ **Avoid body contact with earthed or grounded surfaces, such as pipes, radiators, ranges and refrigerators.** There is an increased risk of electric shock if your body is earthed or grounded.
- ▶ **Do not expose power tools to rain or wet conditions.** Water entering a power tool will increase the risk of electric shock.
- ▶ **Do not abuse the cord. Never use the cord for carrying, pulling or unplugging the power tool. Keep cord away from heat, oil, sharp edges and moving parts.** Damaged or entangled cords increase the risk of electric shock.
- ▶ **When operating a power tool outdoors, use an extension cord suitable for outdoor use.** Use of a cord suitable for outdoor use reduces the risk of electric shock.
- ▶ **If operating a power tool in a damp location is unavoidable, use a residual current device (RCD) protected supply.** Use of an RCD reduces the risk of electric shock.

Personal safety

- ▶ **Stay alert, watch what you are doing and use common sense when operating a power tool. Do not use a power tool while you are tired or under the influence of drugs, alcohol or medication.** A moment of inattention while operating power tools may result in serious personal injury.
- ▶ **Use personal protective equipment. Always wear eye protection.** Protective equipment such as dust mask, non-skid safety shoes, hard hat, or hearing protection used for appropriate conditions will reduce personal injuries.
- ▶ **Prevent unintentional starting. Ensure the switch is in the off-position before connecting to power source and/or battery pack, picking up or carrying the tool.** Carrying power tools with your finger on the switch or energising power tools that have the switch on invites accidents.
- ▶ **Remove any adjusting key or wrench before turning the power tool on.** A wrench or a key left attached to a rotating part of the power tool may result in personal injury.
- ▶ **Do not overreach. Keep proper footing and balance at all times.** This enables better control of the power tool in unexpected situations.
- ▶ **Dress properly. Do not wear loose clothing or jewellery. Keep your hair, clothing and gloves away from moving parts.** Loose clothes, jewellery or long hair can be caught in moving parts.
- ▶ **If devices are provided for the connection of dust extraction and collection facilities, ensure these are connected and properly used.** Use of dust collection can reduce dust-related hazards.

Power tool use and care

- ▶ **Do not force the power tool. Use the correct power tool for your application.** The correct power tool will do the job better and safer at the rate for which it was designed.
- ▶ **Do not use the power tool if the switch does not turn it on and off.** Any power tool that cannot be controlled with the switch is dangerous and must be repaired.
- ▶ **Disconnect the plug from the power source and/or the battery pack from the power tool before making any adjustments, changing accessories, or storing power tools.** Such preventive safety measures reduce the risk of starting the power tool accidentally.
- ▶ **Store idle power tools out of the reach of children and do not allow persons unfamiliar with the power tool or these instructions to operate the power tool.** Power tools are dangerous in the hands of untrained users.

8 | English

- ▶ **Maintain power tools. Check for misalignment or binding of moving parts, breakage of parts and any other condition that may affect the power tool's operation. If damaged, have the power tool repaired before use.** Many accidents are caused by poorly maintained power tools.
- ▶ **Keep cutting tools sharp and clean.** Properly maintained cutting tools with sharp cutting edges are less likely to bind and are easier to control.
- ▶ **Use the power tool, accessories and tool bits etc. in accordance with these instructions, taking into account the working conditions and the work to be performed.** Use of the power tool for operations different from those intended could result in a hazardous situation.

Battery tool use and care


- ▶ **Recharge only with the charger specified by the manufacturer.** A charger that is suitable for one type of battery pack may create a risk of fire when used with another battery pack.
- ▶ **Use power tools only with specifically designated battery packs.** Use of any other battery packs may create a risk of injury and fire.
- ▶ **When battery pack is not in use, keep it away from other metal objects, like paper clips, coins, keys, nails, screws or other small metal objects, that can make a connection from one terminal to another.** Shorting the battery terminals together may cause burns or a fire.
- ▶ **Under abusive conditions, liquid may be ejected from the battery; avoid contact. If contact accidentally occurs, flush with water. If liquid contacts eyes, additionally seek medical help.** Liquid ejected from the battery may cause irritation or burns.

Service

- ▶ **Have your power tool serviced by a qualified repair person using only identical replacement parts.** This will ensure that the safety of the power tool is maintained.

Safety Warnings for Screwdrivers

- ▶ **Hold power tool by insulated gripping surfaces, when performing an operation where the fastener may contact hidden wiring.** Fasteners contacting a "live" wire may make exposed metal parts of the power tool "live" and could give the operator an electric shock.
- ▶ **Hold the machine with a firm grip.** High reaction torque can briefly occur while driving in and loosening screws.

- ▶ **Always wait until the machine has come to a complete stop before placing it down.** The tool insert can jam and lead to loss of control over the power tool.
 - ▶ **Before any work on the machine (e. g., maintenance, tool change, etc.) as well as during transport and storage, set the rotational direction switch to the centre position.** Unintentional actuation of the On/Off switch can lead to injuries.
-  **Protect the power tool against heat, e. g., against continuous intense sunlight, fire, water, and moisture.** Danger of explosion.
- ▶ **In case of damage and improper use of the battery, vapours may be emitted. Ventilate the area and seek medical help in case of complaints.** The vapours can irritate the respiratory system.

Safety Warnings for Battery Chargers

- ▶ **This charger is not intended for use by children and persons with physical, sensory or mental limitations or a lack of experience or knowledge. This charger can be used by children aged 8 and by persons who have physical, sensory or mental limitations or a lack of experience or knowledge if a person responsible for their safety supervises them or has instructed them in the safe operation of the charger and they understand the associated dangers.** Otherwise, there is a danger of operating errors and injuries.
- ▶ **Supervise children during use, cleaning and maintenance.** This will ensure that children do not play with the charger.
- ▶ **Only charge Bosch lithium-ion batteries with a capacity over 1.5 Ah (more than 3 battery cells). The battery voltage must match the battery charging voltage of the charger. Do not charge**

10 | English

non-rechargeable batteries. Otherwise there is danger of fire and explosion.



Keep the battery charger away from rain or moisture. Penetration of water in the battery charger increases the risk of an electric shock.

- ▶ **Charge the power tool only with the supplied charger.**
- ▶ **Keep the battery charger clean.** Contamination can lead to danger of an electric shock.
- ▶ **Before each use, check the battery charger, cable and plug. If damage is detected, do not use the battery charger. Never open the battery charger yourself. Have repairs performed only by a qualified technician and only using original spare parts.** Damaged battery chargers, cables and plugs increase the risk of an electric shock.
- ▶ **Do not operate the battery charger on easily inflammable surfaces (e. g., paper, textiles, etc.) or surroundings.** The heating of the battery charger during the charging process can pose a fire hazard.

Products sold in GB only: Your product is fitted with a BS 1363/A approved electric plug with internal fuse (ASTA approved to BS 1362).

If the plug is not suitable for your socket outlets, it should be cut off and an appropriate plug fitted in its place by an authorised customer service agent. The replacement plug should have the same fuse rating as the original plug.

The severed plug must be disposed of to avoid a possible shock hazard and should never be inserted into a mains socket elsewhere.

Product Description and Specifications



Read all safety warnings and all instructions. Failure to follow the warnings and instructions may result in electric shock, fire and/or serious injury.

Intended Use

The machine is intended for driving in and loosening screws.

The light of this power tool is intended to illuminate the power tool's direct area of working operation and is not suitable for household room illumination.

Product Features

The numbering of the product features refers to the illustration of the machine on the graphics page.

- 1 Keyless chuck
- 2 Rotational direction switch
- 3 Socket for charge connector
- 4 On/Off switch
- 5 Battery charge-control indicator
- 6 "PowerLight"
- 7 Battery charger
- 8 Charge connector
- 9 Handle (insulated gripping surface)

***Accessories shown or described are not part of the standard delivery scope of the product. A complete overview of accessories can be found in our accessories program.**

Technical Data

Cordless Screwdriver		LiKo
Article number		3 601 JF4 0..
Rated voltage	V=	10.8
No-load speed	min ⁻¹	0 - 700
Max. torque for hard/soft screwdriving application according to ISO 5393	Nm	6/15
Max. screw dia.	mm	6
Weight according to EPTA-Procedure 01:2014	kg	0.90
Permitted ambient temperature		
– during charging	°C	0... +45
– during operation and during storage	°C	-20... +50
Battery		Li-Ion
Capacity	Ah	1.5
Number of battery cells		3
Battery Charger		
Article number		1 600 A00 8.. 1 600 A00 9..

* Limited performance at temperatures < 0 °C

12 | English

Cordless Screwdriver**LiKo**

Charging time	h	1
Output voltage	V $\overline{-}$	15
Charging current	A	1.5
Protection class		□/II

* Limited performance at temperatures < 0 °C

Assembly

- ▶ **Before any work on the machine (e. g., maintenance, tool change, etc.) as well as during transport and storage, set the rotational direction switch to the centre position.** Unintentional actuation of the On/Off switch can lead to injuries.

Battery Charging (see figure A)

- ▶ **Do not use other battery chargers.** The supplied battery charger is designed for the Lithium-Ion battery in your machine.
- ▶ **Observe the mains voltage!** The voltage of the power supply must correspond with the data given on the nameplate of the battery charger. Battery chargers marked with 230 V can also be operated with 220 V.

Note: The battery supplied is partially charged. To ensure full capacity of the battery, completely charge the battery in the battery charger before using your power tool for the first time.

The lithium-ion battery can be charged at any time without reducing its service life. Interrupting the charging procedure does not damage the battery.

The lithium-ion battery is protected against deep discharging by the "Electronic Cell Protection (ECP)". When the battery is empty, the machine is switched off by means of a protective circuit: The inserted tool no longer rotates.

- ▶ **Do not continue to press the On/Off switch after the machine has been automatically switched off.** The battery can be damaged.

The charging procedure begins as soon as the mains plug of the battery charger is plugged into a socket outlet and the charge connector **8** is plugged into the socket **3** on the bottom of the handle.

The battery charge-control indicator **5** indicates the charging progress. During the charging process, the indicator **flashes green**. When the battery charge-control indicator **5 lights up green continuously**, the battery is fully charged.

During the charging procedure, the handle of the machine warms up. This is normal.

Disconnect the battery charger from the mains supply when not using it for longer periods.

The power tool cannot be used during the charge procedure; it is not defective when inoperative during the charging procedure.

Observe the notes for disposal.

Changing the Tool (see figure B)

- ▶ **Before any work on the machine (e. g., maintenance, tool change, etc.) as well as during transport and storage, set the rotational direction switch to the centre position.** Unintentional actuation of the On/Off switch can lead to injuries.

The drill spindle is locked when the On/Off switch **4** is not pressed. This makes quick, convenient and easy changing of the tool in the drill chuck possible.

Open the keyless chuck **1** by turning in rotation direction **1**, until the tool can be inserted. Insert the tool.

Firmly tighten the collar of the keyless chuck **1** by hand in rotation direction **2** until the locking action ("click") is heard. This automatically locks the chuck.

The locking is released again to remove the tool when the collar is turned in the opposite direction.

Dust/Chip Extraction

- ▶ Dusts from materials such as lead-containing coatings, some wood types, minerals and metal can be harmful to one's health. Touching or breathing-in the dusts can cause allergic reactions and/or lead to respiratory infections of the user or bystanders.

Certain dusts, such as oak or beech dust, are considered as carcinogenic, especially in connection with wood-treatment additives (chromate, wood preservative). Materials containing asbestos may only be worked by specialists.

- Provide for good ventilation of the working place.
- It is recommended to wear a P2 filter-class respirator.

Observe the relevant regulations in your country for the materials to be worked.

- ▶ **Prevent dust accumulation at the workplace.** Dusts can easily ignite.

Operation

Starting Operation

Reversing the rotational direction (see figure C)

The rotational direction switch **2** is used to reverse the rotational direction of the machine. However, this is not possible with the On/Off switch **4** actuated.

Right Rotation: For drilling and driving in screws, push the rotational direction switch **2** left to the stop.

Left Rotation: For loosening and unscrewing screws and nuts, press the rotational direction switch **2** through to the right stop.

Switching On and Off

To **start** the machine, press the On/Off switch **4** and keep it pressed.

The power light **6** lights up when the On/Off switch **4** is slightly or completely pressed, and allows the work area to be illuminated when lighting conditions are insufficient.

To **switch off** the machine, release the On/Off switch **4**.

To save energy, only switch the power tool on when using it.

Adjusting the Speed

The speed of the switched-on power tool can be variably adjusted, depending on how far the On/Off switch **4** is pressed.

Light pressure on the On/Off switch **4** results in a low rotational speed. Further pressure on the switch results in an increase in speed.

Fully automatic spindle locking (Auto-lock)

When the On/Off switch **4** is not pressed, the drill spindle and thus the tool holder are locked.

This enables screws to be screwed in, even when the battery is empty and allows for the machine to be used as a screwdriver.

Run-on Brake

When the On/Off switch **4** is released, the chuck brakes to a stop, thus preventing the run-on of the tool.

When driving in screws, wait until the screw is screwed in flush with the material and then release the On/Off switch **4**. By doing so, the head of the screw does not penetrate into the material.

LED	Capacity
Continuous lighting 3 x green	≥ 2/3
Continuous lighting 2 x green	≥ 1/3
Continuous lighting 1 x green	< 1/3
Flashing light 1 x green	Reserve

Temperature Dependent Overload Protection

When using as intended for, the power tool cannot be subject to overload. When the load is too high or the allowable battery temperature is exceeded, the electronic control switches off the power tool until the temperature is in the optimum temperature range again.

Working Advice

- ▶ **Apply the power tool to the screw only when it is switched off.** Rotating tool inserts can slip off.

After longer periods of working at low speed, allow the machine to cool down by running it for approx. 3 minutes at maximum speed with no load.

For drilling in metal, use only perfectly sharpened HSS drill bits (HSS = high-speed steel). The appropriate quality is guaranteed by the Bosch accessories program.

Before screwing larger, longer screws into hard materials, it is advisable to predrill a pilot hole with the core diameter of the thread to approx. $\frac{2}{3}$ of the screw length.

Maintenance and Service

Maintenance and Cleaning

- ▶ **Before any work on the machine (e. g., maintenance, tool change, etc.) as well as during transport and storage, set the rotational direction switch to the centre position.** Unintentional actuation of the On/Off switch can lead to injuries.
- ▶ **For safe and proper working, always keep the machine and ventilation slots clean.**

When the battery is no longer operative, please refer to an authorised after-sales service agent for Bosch power tools.

If the replacement of the supply cord is necessary, this has to be done by Bosch or an authorized Bosch service agent in order to avoid a safety hazard.

After-sales Service and Application Service

Our after-sales service responds to your questions concerning maintenance and repair of your product as well as spare parts. Exploded views and information on spare parts can also be found under:

www.bosch-pt.com

Bosch's application service team will gladly answer questions concerning our products and their accessories.

In all correspondence and spare parts orders, please always include the 10-digit article number given on the nameplate of the product.

People's Republic of China

China Mainland

Bosch Power Tools (China) Co., Ltd.

567, Bin Kang Road

Bin Jiang District 310052

Hangzhou, P. R. China

Service Hotline: 4008268484

Fax: (0571) 87774502

E-Mail: contact.ptcn@cn.bosch.com

www.bosch-pt.com.cn

HK and Macau Special Administrative Regions

Robert Bosch Hong Kong Co. Ltd.

21st Floor, 625 King's Road

North Point, Hong Kong

Customer Service Hotline: +852 2101 0235

Fax: +852 2590 9762

E-Mail: info@hk.bosch.com

www.bosch-pt.com.hk

Indonesia

PT Robert Bosch

Palma Tower 10th Floor

Jl. RA Kartini II-S Kaveling 6 Sek II

Pondok Pinang, Kebayoran Lama

Jakarta Selatan 12310

Indonesia

Tel.: (021) 3005 5800

Fax: (021) 3005 5801

E-Mail: boschpowertools@id.bosch.com

www.bosch-pt.co.id

Philippines

Robert Bosch, Inc.
28th Floor Fort Legend Towers,
3rd Avenue corner 31st Street,
Fort Bonifacio Global City,
1634 Taguig City, Philippines
Tel.: (02) 8703871
Fax: (02) 8703870
matheus.contiero@ph.bosch.com
www.bosch-pt.com.ph

Bosch Service Center:
9725-27 Kamagong Street
San Antonio Village
Makati City, Philippines
Tel.: (02) 8999091
Fax: (02) 8976432
E-Mail: rosalie.dagdagan@ph.bosch.com

Malaysia

Robert Bosch Sdn. Bhd.
No. 8A, Jalan 13/6
G.P.O. Box 10818
46200 Petaling Jaya
Selangor, Malaysia
Tel.: (03) 79663194
Fax: (03) 79583838
E-Mail: cheehoe.on@my.bosch.com
Toll-Free: 1800 880188
www.bosch-pt.com.my



18 | English

Thailand

Robert Bosch Ltd.
Liberty Square Building
No. 287, 11 Floor
Silom Road, Bangrak
Bangkok 10500
Tel.: 02 6393111
Fax: 02 2384783
Robert Bosch Ltd., P. O. Box 2054
Bangkok 10501, Thailand
www.bosch.co.th

Bosch Service – Training Centre
La Salle Tower Ground Floor Unit No.2
10/11 La Salle Moo 16
Srinakharin Road
Bangkaew, Bang Plee
Samutprakarn 10540
Thailand
Tel.: 02 7587555
Fax: 02 7587525

Singapore

Powerwell Service Centre Ptd Ltd
65 Ubi Crescent, #06-03 Hola Centre
Singapore 408559
Tel.: 6746 9770/71
Fax: 6746 9760
E-Mail: powerwellsc@gmail.com
Toll-Free: 1800 3338333
www.bosch-pt.com.sg

Vietnam

Robert Bosch Vietnam Co. Ltd
13th Floor , 194 Golden Building
473 Dien Bien Phu Street
Ward 25, Binh Thanh District
84 Ho Chi Minh City
Vietnam
Tel.: (08) 6258 3690
Fax: (08) 6258 3692
Hotline: (08) 6250 8555
E-Mail: tuvankhachhang-pt@vn.bosch.com
www.bosch-pt.com.vn
www.baohanhbosch-pt.com.vn

Australia, New Zealand and Pacific Islands

Robert Bosch Australia Pty. Ltd.
Power Tools
Locked Bag 66
Clayton South VIC 3169
Customer Contact Center
Inside Australia:
Phone: (01300) 307044
Fax: (01300) 307045
Inside New Zealand:
Phone: (0800) 543353
Fax: (0800) 428570
Outside AU and NZ:
Phone: +61 3 95415555
www.bosch-pt.com.au
www.bosch-pt.co.nz

Egypt

Unimar
20 Markaz kadmat
El tagmoa EL Aoul – New Cairo
Tel: +2 02 224 76091 - 95 / + 2 02 224 78072 - 73
Fax: +2 02 224 78075
E-Mail: adelzaki@unimaregypt.com

20 | English

Ethiopia

Forever plc
Kebele 2,754, BP 4806,
Addis Ababa , Ethiopia
Tel: +251 111 560 600, +251 111 560 600
E-Mail: foreverplc@ethionet.et

Nigeria

C. Woermann Ltd.
P.O. Box 318
6, Badejo Kalesanwo Street
Matori Industrial Estate
Lagos, Nigeria
Tel: +234 17 736 498, +234 17 730 904
E-Mail: d.kornemann@woermann-nigeria.com

Republic of South Africa

Customer service

Hotline: (011) 6519600

Gauteng – BSC Service Centre

35 Roper Street, New Centre
Johannesburg
Tel.: (011) 4939375
Fax: (011) 4930126
E-Mail: bsctools@icon.co.za

KZN – BSC Service Centre

Unit E, Almar Centre
143 Crompton Street
Pinetown
Tel.: (031) 7012120
Fax: (031) 7012446
E-Mail: bsc.dur@za.bosch.com

Western Cape – BSC Service Centre

Democracy Way, Prosperity Park
Milnerton
Tel.: (021) 5512577
Fax: (021) 5513223
E-Mail: bsc@zsd.co.za

Bosch Headquarters

Midrand, Gauteng

Tel.: (011) 6519600

Fax: (011) 6519880

E-Mail: rbsa-hq.pts@za.bosch.com

Transport

The contained lithium-ion batteries are subject to the Dangerous Goods Legislation requirements. The user can transport the batteries by road without further requirements.

When being transported by third parties (e.g.: air transport or forwarding agency), special requirements on packaging and labelling must be observed. For preparation of the item being shipped, consulting an expert for hazardous material is required.

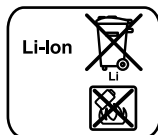
Disposal



The machine, rechargeable batteries, accessories and packaging should be sorted for environmental-friendly recycling.

Do not dispose of power tools and batteries/rechargeable batteries into household waste!

Battery packs/batteries:



Li-ion:

Please observe the instructions in section "Transport", page 21.

► **Integrated batteries may only be removed for disposal by qualified personnel.** Opening the housing shell can destroy the power tool.

To remove the battery from the power tool, press the On/Off switch **4** until the battery is fully discharged. Unscrew the screws on the housing and remove the housing shell in order to remove the battery. To prevent a short circuit, disconnect the connectors on the battery one at a time and then isolate the poles. Even when fully discharged, the battery still contains a residual capacity, which can be released in case of a short circuit.

Subject to change without notice.

Français

Avertissements de sécurité

Avertissements de sécurité généraux pour l'outil

⚠ AVERTISSEMENT Lire tous les avertissements de sécurité et toutes les instructions. Ne pas suivre les avertissements et instructions peut donner lieu à un choc électrique, un incendie et/ou une blessure sérieuse.

Conserver tous les avertissements et toutes les instructions pour pouvoir s'y reporter ultérieurement.

Le terme « outil » dans les avertissements fait référence à votre outil électrique alimenté par le secteur (avec cordon d'alimentation) ou votre outil fonctionnant sur batterie (sans cordon d'alimentation).

Sécurité de la zone de travail

- ▶ **Conserver la zone de travail propre et bien éclairée.** Les zones en désordre ou sombres sont propices aux accidents.
- ▶ **Ne pas faire fonctionner les outils électriques en atmosphère explosive, par exemple en présence de liquides inflammables, de gaz ou de poussières.** Les outils électriques produisent des étincelles qui peuvent enflammer les poussières ou les fumées.
- ▶ **Maintenir les enfants et les personnes présentes à l'écart pendant l'utilisation de l'outil.** Les distractions peuvent vous faire perdre le contrôle de l'outil.

Sécurité électrique

- ▶ **Il faut que les fiches de l'outil électrique soient adaptées au socle. Ne jamais modifier la fiche de quelque façon que ce soit. Ne pas utiliser d'adaptateurs avec des outils à branchement de terre.** Des fiches non modifiées et des socles adaptés réduiront le risque de choc électrique.
- ▶ **Éviter tout contact du corps avec des surfaces reliées à la terre telles que les tuyaux, les radiateurs, les cuisinières et les réfrigérateurs.** Il existe un risque accru de choc électrique si votre corps est relié à la terre.
- ▶ **Ne pas exposer les outils à la pluie ou à des conditions humides.** La pénétration d'eau à l'intérieur d'un outil augmentera le risque de choc électrique.
- ▶ **Ne pas maltraiter le cordon. Ne jamais utiliser le cordon pour porter, tirer ou débrancher l'outil. Maintenir le cordon à l'écart de la chaleur, du lubrifiant,**

des arêtes ou des parties en mouvement. Les cordons endommagés ou emmêlés augmentent le risque de choc électrique.

- ▶ **Lorsqu'on utilise un outil à l'extérieur, utiliser un prolongateur adapté à l'utilisation extérieure.** L'utilisation d'un cordon adapté à l'utilisation extérieure réduit le risque de choc électrique.
- ▶ **Si l'usage d'un outil dans un emplacement humide est inévitable, utiliser une alimentation protégée par un dispositif à courant différentiel résiduel (RCD).** L'usage d'un RCD réduit le risque de choc électrique.

Sécurité des personnes

- ▶ **Rester vigilant, regarder ce que vous êtes en train de faire et faire preuve de bon sens dans l'utilisation de l'outil. Ne pas utiliser un outil lorsque vous êtes fatigué ou sous l'emprise de drogues, d'alcool ou de médicaments.** Un moment d'inattention en cours d'utilisation d'un outil peut entraîner des blessures graves des personnes.
- ▶ **Utiliser un équipement de sécurité. Toujours porter une protection pour les yeux.** Les équipements de sécurité tels que les masques contre les poussières, les chaussures de sécurité antidérapantes, les casques ou les protections acoustiques utilisés pour les conditions appropriées réduiront les blessures des personnes.
- ▶ **Éviter tout démarrage intempestif. S'assurer que l'interrupteur est en position arrêt avant de brancher l'outil au secteur et/ou au bloc de batteries, de le ramasser ou de le porter.** Porter les outils en ayant le doigt sur l'interrupteur ou brancher des outils dont l'interrupteur est en position marche est source d'accidents.
- ▶ **Retirer toute clé de réglage avant de mettre l'outil en marche.** Une clé laissée fixée sur une partie tournante de l'outil peut donner lieu à des blessures de personnes.
- ▶ **Ne pas se précipiter. Garder une position et un équilibre adaptés à tout moment.** Cela permet un meilleur contrôle de l'outil dans des situations inattendues.
- ▶ **S'habiller de manière adaptée. Ne pas porter de vêtements amples ou de bijoux. Garder les cheveux, les vêtements et les gants à distance des parties en mouvement.** Des vêtements amples, des bijoux ou les cheveux longs peuvent être pris dans des parties en mouvement.
- ▶ **Si des dispositifs sont fournis pour le raccordement d'équipements pour l'extraction et la récupération des poussières, s'assurer qu'ils sont connectés et correctement utilisés.** Utiliser des collecteurs de poussière peut réduire les risques dus aux poussières.

Utilisation et entretien de l'outil

- ▶ **Ne pas forcer l'outil. Utiliser l'outil adapté à votre application.** L'outil adapté réalisera mieux le travail et de manière plus sûre au régime pour lequel il a été construit.
- ▶ **Ne pas utiliser l'outil si l'interrupteur ne permet pas de passer de l'état de marche à arrêt et vice versa.** Tout outil qui ne peut pas être commandé par l'interrupteur est dangereux et il faut le faire réparer.
- ▶ **Débrancher la fiche de la source d'alimentation en courant et/ou le bloc de batteries de l'outil avant tout réglage, changement d'accessoires ou avant de ranger l'outil.** De telles mesures de sécurité préventives réduisent le risque de démarrage accidentel de l'outil.
- ▶ **Conserver les outils à l'arrêt hors de la portée des enfants et ne pas permettre à des personnes ne connaissant pas l'outil ou les présentes instructions de le faire fonctionner.** Les outils sont dangereux entre les mains d'utilisateurs novices.
- ▶ **Observer la maintenance de l'outil. Vérifier qu'il n'y a pas de mauvais alignement ou de blocage des parties mobiles, des pièces cassées ou toute autre condition pouvant affecter le fonctionnement de l'outil. En cas de dommages, faire réparer l'outil avant de l'utiliser.** De nombreux accidents sont dus à des outils mal entretenus.
- ▶ **Garder affûtés et propres les outils permettant de couper.** Des outils destinés à couper correctement entretenus avec des pièces coupantes tranchantes sont moins susceptibles de bloquer et sont plus faciles à contrôler.
- ▶ **Utiliser l'outil, les accessoires et les lames etc., conformément à ces instructions, en tenant compte des conditions de travail et du travail à réaliser.** L'utilisation de l'outil pour des opérations différentes de celles prévues pourrait donner lieu à des situations dangereuses.

Utilisation des outils fonctionnant sur batteries et précautions d'emploi

- ▶ **Ne recharger qu'avec le chargeur spécifié par le fabricant.** Un chargeur qui est adapté à un type de bloc de batteries peut créer un risque de feu lorsqu'il est utilisé avec un autre type de bloc de batteries.
- ▶ **N'utiliser les outils qu'avec des blocs de batteries spécifiquement désignés.** L'utilisation de tout autre bloc de batteries peut créer un risque de blessure et de feu.
- ▶ **Lorsqu'un bloc de batteries n'est pas utilisé, le maintenir à l'écart de tout autre objet métallique, par exemple trombones, pièces de monnaie, clés, clous, vis ou autres objets de petite taille qui peuvent donner lieu à une**

connexion d'une borne à une autre. Le court-circuitage des bornes d'une batterie entre elles peut causer des brûlures ou un feu.

- ▶ **Dans de mauvaises conditions, du liquide peut être éjecté de la batterie ; éviter tout contact. En cas de contact accidentel, nettoyer à l'eau. Si le liquide entre en contact avec les yeux, rechercher en plus une aide médicale.** Le liquide éjecté des batteries peut causer des irritations ou des brûlures.

Maintenance et entretien

- ▶ **Faire entretenir l'outil par un réparateur qualifié utilisant uniquement des pièces de rechange identiques.** Cela assurera que la sécurité de l'outil est maintenue.

Avertissements de sécurité pour visseuses

- ▶ **Tenir l'outil par les surfaces de préhension isolées, lors de la réalisation d'une opération au cours de laquelle le dispositif de serrage peut entrer en contact avec un câblage non apparent.** Le contact avec un fil « sous tension » peut également mettre « sous tension » les parties métalliques exposées de l'outil électrique et provoquer un choc électrique sur l'opérateur.
- ▶ **Bien tenir l'appareil électroportatif.** Lors du vissage ou du dévissage, il peut y avoir des couples de réaction instantanés élevés.
- ▶ **Avant de déposer l'outil électroportatif, attendre que celui-ci soit complètement à l'arrêt.** L'outil risque de se coincer, ce qui entraînerait une perte de contrôle de l'outil électroportatif.
- ▶ **Avant d'effectuer des travaux sur l'outil électroportatif (p. ex. travaux d'entretien, changement d'outils, etc.) et avant de le transporter ou de le stocker, bloquez toujours l'interrupteur Marche/Arrêt en position médiane.** Il y a risque d'accidents lorsqu'on appuie par mégarde sur l'interrupteur Marche/Arrêt.



Protéger l'outil électroportatif de toute source de chaleur, comme p. ex. l'exposition directe au soleil, au feu, à l'eau et à l'humidité. Il y a risque d'explosion.

- ▶ **En cas d'endommagement et d'utilisation non conforme de l'accu, des vapeurs peuvent s'échapper. Ventiler le lieu de travail et, en cas de malaises, consulter un médecin.** Les vapeurs peuvent entraîner des irritations des voies respiratoires.

Instructions de sécurité pour chargeurs

- ▶ **Ce chargeur n'est pas prévu pour être utilisé par des enfants ni par des personnes souffrant d'un**

handicap physique, sensoriel ou mental ou manquant d'expérience ou de connaissances. Ce chargeur peut être utilisé par les enfants (âgés d'au moins 8 ans) et par les personnes souffrant d'un handicap physique, sensoriel ou mental ou manquant d'expérience ou de connaissances, lorsque ceux-ci sont sous la surveillance d'une personne responsable de leur sécurité ou après avoir reçu des instructions sur la façon d'utiliser le chargeur en toute sécurité et après avoir bien compris les dangers inhérents à son utilisation. Sinon, il existe un risque de blessures et d'utilisation inappropriée.

- ▶ **Ne laissez pas les enfants sans surveillance lors de l'utilisation, du nettoyage et de l'entretien.** Faites en sorte que les enfants ne jouent pas avec le chargeur.
- ▶ **N'utilisez le chargeur que pour recharger des accus Lithium-Ion Bosch d'une capacité d'au moins 1,5 Ah (à partir de 3 cellules). La tension des accus doit correspondre à la tension de charge du chargeur. Ne rechargez pas de piles non rechargeables.** Il existe sinon un risque d'explosion et d'incendie.



Ne pas exposer le chargeur à la pluie ou à l'humidité. La pénétration d'eau dans un chargeur augmente le risque d'un choc électrique.

- ▶ **Ne chargez l'outil électroportatif qu'avec le chargeur fourni.**

- ▶ **Maintenir le chargeur propre.** Un encrassement augmente le risque de choc électrique.
- ▶ **Avant toute utilisation, contrôler le chargeur, la fiche et le câble. Ne pas utiliser le chargeur si des défauts sont constatés. Ne pas démonter le chargeur soi-même et ne le faire réparer que par une personne qualifiée et seulement avec des pièces de rechange d'origine.** Des chargeurs, câbles et fiches endommagés augmentent le risque d'un choc électrique.
- ▶ **Ne pas utiliser le chargeur sur un support facilement inflammable (tel que papier, textiles etc.) ou dans un environnement inflammable.** L'échauffement du chargeur lors du processus de charge augmente le risque d'incendie.

Description et performances du produit



Il est impératif de lire toutes les consignes de sécurité et toutes les instructions. Le non-respect des avertissements et instructions indiqués ci-après peut conduire à une électrocution, un incendie et/ou de graves blessures.

Utilisation conforme

L'appareil est conçu pour visser et dévisser des vis.

L'éclairage de cet outil électroportatif est destiné à éclairer l'espace de travail de l'outil. Il n'est pas conçu pour servir de source d'éclairage ambiant dans une pièce.

Éléments de l'appareil

La numérotation des éléments de l'appareil se réfère à la représentation de l'outil électroportatif sur la page graphique.

- 1 Mandrin automatique
- 2 Commutateur du sens de rotation
- 3 Prise pour fiche de charge
- 4 Interrupteur Marche/Arrêt
- 5 Voyant lumineux indiquant l'état de charge de l'accu
- 6 Lampe « Power Light »
- 7 Chargeur
- 8 Fiche de charge
- 9 Poignée (surface de préhension isolante)

***Les accessoires décrits ou illustrés ne sont pas tous compris dans la fourniture. Vous trouverez les accessoires complets dans notre programme d'accessoires.**

28 | Français

Caractéristiques techniques

Visseuse sans fil		LiKo
N° d'article		3 601 JF4 0..
Tension nominale	V=	10,8
Vitesse à vide	tr/min	0 - 700
Couple max. vissage dur/tendre suivant ISO 5393	Nm	6/15
Ø max. de vis	mm	6
Poids suivant EPTA-Procedure 01:2014	kg	0,90
Plage de températures autorisées		
- pendant la charge	°C	0... +45
- pendant le fonctionnement* et pour le stockage	°C	-20... +50
Accumulateur		Lithium ion
Capacité	Ah	1,5
Nombre cellules de batteries rechargeables		3
Chargeur		
N° d'article		1 600 A00 8.. 1 600 A00 9..
Durée de charge	h	1
Tension de charge de l'accu	V=	15
Courant de charge	A	1,5
Classe de protection		□/II

* Performances réduites à des températures < à 0 °C

Montage

- ▶ **Avant d'effectuer des travaux sur l'outil électroportatif (p. ex. travaux d'entretien, changement d'outils, etc.) et avant de le transporter ou de le stocker, bloquez toujours l'interrupteur Marche/Arrêt en position médiane.** Il y a risque d'accidents lorsqu'on appuie par mégarde sur l'interrupteur Marche/Arrêt.

Chargement de l'accu (voir figure A)

- ▶ **N'utilisez pas un autre chargeur.** Le chargeur fourni avec l'appareil est adapté à l'accumulateur à ions lithium intégré dans votre appareil électroportatif.

- ▶ **Tenez compte de la tension du réseau !** La tension de la source de courant doit correspondre aux indications se trouvant sur la plaque signalétique du chargeur. Les chargeurs marqués 230 V peuvent également fonctionner sous 220 V.

Note : L'accu est fourni en état de charge faible. Afin de garantir la puissance complète de l'accu, chargez complètement l'accu dans le chargeur avant la première mise en service.

La batterie Lithium-ion peut être rechargée à tout moment, sans que sa durée de vie n'en soit réduite. Le fait d'interrompre le processus de charge n'endommage pas la batterie.

Grâce à la Protection Electronique des Cellules « Electronic Cell Protection (ECP) », l'accu à ions lithium est protégé contre une décharge profonde. Lorsque l'accumulateur est déchargé, l'outil électroportatif s'arrête grâce à un dispositif d'arrêt de protection : L'outil de travail ne tourne plus.

- ▶ **Après la mise hors fonctionnement automatique de l'outil électroportatif, n'appuyez plus sur l'interrupteur Marche/Arrêt.** Ceci pourrait endommager l'accu.

Le processus de charge commence dès que la fiche du secteur du chargeur a été introduite dans la prise de courant et que la fiche de charge **8** a été introduite dans la douille **3** située au-dessous de la poignée.

Le voyant lumineux indiquant l'état de charge de l'accu **5** indique la progression du processus de charge. Le voyant lumineux **clignote vert** lors du processus de charge. Si le voyant lumineux indiquant l'état de charge de l'accu **5** **reste constamment allumé vert**, c'est que l'accu est complètement chargé.

La poignée de l'outil électroportatif chauffe durant le processus de charge. Ceci est normal.

Débranchez le chargeur lorsque celui-ci n'est pas utilisé pendant une période prolongée.

Pendant le processus de charge, il n'est pas possible d'utiliser l'outil électroportatif ; il n'est pas défectueux lorsqu'il ne fonctionne pas pendant le processus de charge.

Respectez les indications concernant l'élimination.

Changement d'outil (voir figure B)

- ▶ **Avant d'effectuer des travaux sur l'outil électroportatif (p. ex. travaux d'entretien, changement d'outils, etc.) et avant de le transporter ou de le stocker, bloquez toujours l'interrupteur Marche/Arrêt en position médiane.** Il y a risque d'accidents lorsqu'on appuie par mégarde sur l'interrupteur Marche/Arrêt.

30 | Français

Lorsque l'interrupteur Marche/Arrêt **4** n'est pas appuyé, la broche de perçage est bloquée. Ceci permet un changement aisé, facile et rapide de l'outil de travail dans le mandrin de perçage.

Ouvrez le mandrin automatique **1** en tournant dans le sens de rotation **1** jusqu'à ce que l'outil puisse être monté. Mettez en place l'outil.

Tournez fortement à la main la douille du mandrin automatique **1** dans le sens de rotation **2** jusqu'à ce qu'un clic se fasse entendre. Le mandrin de perçage se trouve alors verrouillé automatiquement.

Le verrouillage peut être desserré lorsqu'on tourne la douille en sens inverse afin d'enlever l'outil.

Aspiration de poussières/de copeaux

- ▶ Les poussières de matériaux tels que peintures contenant du plomb, certains bois, minéraux ou métaux, peuvent être nuisibles à la santé. Entrer en contact ou aspirer les poussières peut entraîner des réactions allergiques et/ou des maladies respiratoires auprès de l'utilisateur ou de personnes se trouvant à proximité.

Certaines poussières telles que les poussières de chêne ou de hêtre sont considérées comme cancérogènes, surtout en association avec des additifs pour le traitement du bois (chromate, lazure). Les matériaux contenant de l'amiante ne doivent être travaillés que par des personnes qualifiées.

- Veillez à bien aérer la zone de travail.
- Il est recommandé de porter un masque respiratoire avec un niveau de filtration de classe P2.

Respectez les règlements spécifiques aux matériaux à traiter en vigueur dans votre pays.

- ▶ **Évitez toute accumulation de poussières à l'emplacement de travail.** Les poussières peuvent facilement s'enflammer.

Mise en marche

Mise en service

Sélection du sens de rotation (voir figure C)

Le commutateur de sens de rotation **2** permet d'inverser le sens de rotation de l'outil électroportatif. Ceci n'est cependant pas possible, quand l'interrupteur Marche/Arrêt **4** est en fonction.

Rotation droite : Pour percer et visser, tournez le commutateur du sens de rotation **2** à fond vers la gauche.

Rotation gauche : Pour desserrer ou dévisser des vis et des écrous, tournez le commutateur du sens de rotation **2** à fond vers la droite.

Mise en Marche/Arrêt

Pour **mettre** l'outil électroportatif **en marche**, appuyez sur l'interrupteur Marche/Arrêt **4** et maintenez-le appuyé.

La lampe **6** s'allume lorsque l'interrupteur Marche/Arrêt **4** est enfoncé un peu ou complètement et permet d'éclairer la zone de travail lorsque l'éclairage est mauvais.

Pour **arrêter** l'outil électroportatif, relâchez l'interrupteur Marche/Arrêt **4**.

Afin d'économiser l'énergie, ne mettez l'outil électroportatif en marche que quand vous l'utilisez.

Réglage de la vitesse de rotation

Il est possible de régler en continu la vitesse de rotation de l'outil électroportatif en fonction de la pression exercée sur l'interrupteur Marche/Arrêt **4**.

Une pression légère sur l'interrupteur Marche/Arrêt **4** entraîne une faible vitesse de rotation. Plus la pression augmente, plus la vitesse de rotation est élevée.

Blocage automatique de la broche (Auto-Lock)

L'interrupteur Marche/Arrêt **4** n'étant pas appuyé, la broche de perçage et donc le porte-outil sont bloqués.

Ceci permet de visser des vis même si l'accu est déchargé ou bien de se servir de l'outil électroportatif comme d'un tournevis classique.

Frein de ralentissement

Dès qu'on relâche l'interrupteur Marche/Arrêt **4**, le mandrin de perçage est freiné afin d'empêcher le ralentissement par inertie de l'outil de travail.

Lors du serrage de vis, ne relâchez l'interrupteur Marche/Arrêt **4** que lorsque la vis est encastrée dans la pièce à travailler. Ceci prévient l'enfoncement de la vis dans la pièce à travailler.

LED	Capacité
Lumière permanente 3 x verte	≥ 2/3
Lumière permanente 2 x verte	≥ 1/3
Lumière permanente 1 x verte	< 1/3
Lumière clignotante 1 x verte	Réserve

Protection contre surcharge en fonction de la température

Si l'outil électroportatif est utilisé de manière conforme, tout risque de surcharge est exclu. En cas de trop forte sollicitation de l'outil ou de dépassement de la température

32 | Français

admissible de l'accu, l'électronique arrête l'outil électroportatif jusqu'à ce qu'il ait suffisamment refroidi.

Instructions d'utilisation

- ▶ **Ne posez l'outil électroportatif sur la vis que lorsqu'il est arrêté.** Les outils de travail en rotation peuvent glisser.

Après avoir travaillé à une vitesse de rotation faible pendant une période relativement longue, faites travailler l'outil électroportatif à vide à la vitesse de rotation maximale pendant une durée de 3 minutes environ afin de le laisser se refroidir.

Pour percer dans le métal, n'utilisez que des forets HSS aiguisés et en parfait état (HSS = aciers super rapides). La gamme d'accessoires Bosch vous assure la qualité nécessaire.

Avant de visser des vis d'un gros diamètre ou très longues dans des matériaux durs, il est recommandé d'effectuer un préperçage du diamètre du filet de la vis sur approximativement $\frac{2}{3}$ de la longueur de la vis.

Entretien et Service Après-Vente

Nettoyage et entretien

- ▶ **Avant d'effectuer des travaux sur l'outil électroportatif (p. ex. travaux d'entretien, changement d'outils, etc.) et avant de le transporter ou de le stocker, bloquez toujours l'interrupteur Marche/Arrêt en position médiane.** Il y a risque d'accidents lorsqu'on appuie par mégarde sur l'interrupteur Marche/Arrêt.
- ▶ **Veillez à ce que l'outil électroportatif ainsi que les ouïes de ventilation soient toujours propres afin d'obtenir un travail impeccable et sûr.**

Au cas où l'accu ne fonctionnerait plus, veuillez vous adresser à une station de Service Après-Vente agréée pour outillage Bosch.

Si le remplacement du câble d'alimentation est nécessaire, ceci ne doit être effectué que par Bosch ou une station de Service Après-Vente agréée pour outillage Bosch afin d'éviter des dangers de sécurité.

Service Après-Vente et Assistance

Notre Service Après-Vente répond à vos questions concernant la réparation et l'entretien de votre produit et les pièces de rechange. Vous trouverez des vues éclatées ainsi que des informations concernant les pièces de rechange également sous :

www.bosch-pt.com

Les conseillers techniques et assistants Bosch sont à votre disposition pour répondre à vos questions concernant nos produits et leurs accessoires.

Pour toute demande de renseignement ou commande de pièces de rechange, préci-
sez-nous impérativement le numéro d'article à dix chiffres indiqué sur la plaque signa-
létique du produit.

Pour avoir des renseignements concernant la garantie, les travaux d'entretien ou de
réparation ou les pièces de rechange, veuillez contacter votre détaillant spécialisé.

Morocco

Outipro

53, rue du Lieutenant Mahroud Mohamed

20300 Casablanca

Tel. : +212 (0) 522 400 409, +212 (0) 522 400 615

E-Mail: service@outipro.ma

Algeria

Siestal

Zone Industrielle Ihaddaden 06000 Bejaia

Tel : +213 (0) 982 400 991/2

Fax : +213 (0) 3 420 1569

E-Mail: sav@siestal-dz.com

Tunisia

Sotel

Z.I. St. Gobin Lotissement SMMT-Lot No 25-99

2014-Megrine Riadh

Tél. : +216 71 427 496

Fax : +216 71 354 175

E-Mail: sotel2@planet.tn

Transport

Les batteries Lithium-ion sont soumises aux règlements de transport des matières
dangereuses. L'utilisateur peut transporter les batteries par voie routière sans me-
sures supplémentaires.

Lors d'une expédition par tiers (par ex. : transport aérien ou entreprise de transport),
les mesures à prendre spécifiques à l'emballage et au marquage doivent être obser-
vées. Dans un tel cas, lors de la préparation de l'envoi, il est impératif de faire appel à
un expert en transport des matières dangereuses.

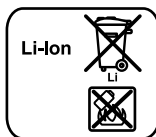
Élimination des déchets



Les outils électroportatifs et les accus, ainsi que leurs accessoires et embal-
lages, doivent pouvoir suivre chacun une voie de recyclage appropriée.

34 | Português

Ne jetez pas les outils électroportatifs et les accus/piles avec les ordures ménagères !

Batteries/piles :**Lithium ion :**

Respectez les indications données dans le chapitre « Transport », page 33.

- **Les accus intégrés ne doivent être retirés que par une personne qualifiée et uniquement pour leur mise au rebut.** L'outil électroportatif risque d'être endommagé lors de l'ouverture de la coque de boîtier.

Pour retirer l'accu de l'outil électroportatif, actionnez l'interrupteur Marche / Arrêt **4** jusqu'à ce que l'accu soit entièrement déchargé. Dévissez les vis du carter et retirez la coque du carter. Pour éviter un court-circuit, débranchez les connexions de l'accu séparément, l'une après l'autre, et isolez ensuite les pôles. Même à l'état déchargé, l'accu conserve une capacité résiduelle risquant de produire un courant en cas de court-circuit.

Sous réserve de modifications.

Português

Indicações de segurança

Indicações gerais de advertência para ferramentas eléctricas

⚠ ATENÇÃO Devem ser lidas todas as indicações de advertência e todas as instruções. O desrespeito das advertências e instruções apresentadas abaixo pode causar choque eléctrico, incêndio e/ou graves lesões.

Guarde bem todas as advertências e instruções para futura referência.

O termo "Ferramenta eléctrica" utilizado a seguir nas indicações de advertência, refere-se a ferramentas eléctricas operadas com corrente de rede (com cabo de rede) e a ferramentas eléctricas operadas com acumulador (sem cabo de rede).

Segurança da área de trabalho

- **Mantenha a sua área de trabalho sempre limpa e bem iluminada.** Desordem ou áreas de trabalho insuficientemente iluminadas podem levar a acidentes.

- ▶ **Não trabalhar com a ferramenta eléctrica em áreas com risco de explosão, nas quais se encontrem líquidos, gases ou pós inflamáveis.** Ferramentas eléctricas produzem faíscas, que podem inflamar pós ou vapores.
- ▶ **Manter crianças e outras pessoas afastadas da ferramenta eléctrica durante a utilização.** No caso de distração é possível que perca o controlo sobre o aparelho.

Segurança eléctrica

- ▶ **A ficha de conexão da ferramenta eléctrica deve caber na tomada. A ficha não deve ser modificada de maneira alguma. Não utilizar uma ficha de adaptação junto com ferramentas eléctricas protegidas por ligação à terra.** Fichas não modificadas e tomadas apropriadas reduzem o risco de um choque eléctrico.
- ▶ **Evitar que o corpo possa entrar em contacto com superfícies ligadas à terra, como tubos, aquecimentos, fogões e frigoríficos.** Há um risco elevado devido a choque eléctrico, se o corpo estiver ligado à terra.
- ▶ **Manter o aparelho afastado de chuva ou humidade.** A infiltração de água numa ferramenta eléctrica aumenta o risco de choque eléctrico.
- ▶ **Não deverá utilizar o cabo para outras finalidades. Jamais utilizar o cabo para transportar a ferramenta eléctrica, para pendurá-la, nem para puxar a ficha da tomada. Manter o cabo afastado de calor, óleo, cantos afiados ou partes do aparelho em movimento.** Cabos danificados ou emaranhados aumentam o risco de um choque eléctrico.
- ▶ **Se trabalhar com uma ferramenta eléctrica ao ar livre, só deverá utilizar cabos de extensão apropriados para áreas exteriores.** A utilização de um cabo de extensão apropriado para áreas exteriores reduz o risco de um choque eléctrico.
- ▶ **Se não for possível evitar o funcionamento da ferramenta eléctrica em áreas húmidas, deverá ser utilizado um disjuntor de corrente de avaria.** A utilização de um disjuntor de corrente de avaria reduz o risco de um choque eléctrico.

Segurança de pessoas

- ▶ **Esteja atento, observe o que está a fazer e tenha prudência ao trabalhar com a ferramenta eléctrica. Não utilizar uma ferramenta eléctrica quando estiver fatigado ou sob a influência de drogas, álcool ou medicamentos.** Um momento de descuido ao utilizar a ferramenta eléctrica, pode levar a lesões graves.
- ▶ **Utilizar equipamento de protecção pessoal e sempre óculos de protecção.** A utilização de equipamento de protecção pessoal, como máscara de protecção contra pó, sapatos de segurança antiderrapantes, capacete de segurança ou protecção auricular, de acordo com o tipo e aplicação da ferramenta eléctrica, reduz o risco de lesões.

36 | Português

- ▶ **Evitar uma colocação em funcionamento involuntária. Assegure-se de que a ferramenta eléctrica esteja desligada, antes de conectá-la à alimentação de rede e/ou ao acumulador, antes de levantá-la ou de transportá-la.** Se tiver o dedo no interruptor ao transportar a ferramenta eléctrica ou se o aparelho for conectado à alimentação de rede enquanto estiver ligado, poderão ocorrer acidentes.
- ▶ **Remover ferramentas de ajuste ou chaves de boca antes de ligar a ferramenta eléctrica.** Uma ferramenta ou chave que se encontre numa parte do aparelho em movimento pode levar a lesões.
- ▶ **Evite uma posição anormal. Mantenha uma posição firme e mantenha sempre o equilíbrio.** Desta forma é mais fácil controlar a ferramenta eléctrica em situações inesperadas.
- ▶ **Usar roupa apropriada. Não usar roupa larga nem jóias. Mantenha os cabelos, roupas e luvas afastadas de partes em movimento.** Roupas frouxas, cabelos longos ou jóias podem ser agarrados por peças em movimento.
- ▶ **Se for possível montar dispositivos de aspiração ou de recolha, assegure-se de que estejam conectados e utilizados correctamente.** A utilização de uma aspiração de pó pode reduzir o perigo devido ao pó.

Utilização e manuseio cuidadoso de ferramentas eléctricas

- ▶ **Não sobrecarregue o aparelho. Utilize a ferramenta eléctrica apropriada para o seu trabalho.** É melhor e mais seguro trabalhar com a ferramenta eléctrica apropriada na área de potência indicada.
- ▶ **Não utilizar uma ferramenta eléctrica com um interruptor defeituoso.** Uma ferramenta eléctrica que não pode mais ser ligada nem desligada, é perigosa e deve ser reparada.
- ▶ **Puxar a ficha da tomada e/ou remover o acumulador antes de executar ajustes no aparelho, de substituir acessórios ou de guardar o aparelho.** Esta medida de segurança evita o arranque involuntário da ferramenta eléctrica.
- ▶ **Guardar ferramentas eléctricas não utilizadas fora do alcance de crianças. Não permita que pessoas que não estejam familiarizadas com o aparelho ou que não tenham lido estas instruções, utilizem o aparelho.** Ferramentas eléctricas são perigosas se forem utilizadas por pessoas inesperadas.
- ▶ **Tratar a ferramenta eléctrica com cuidado. Controlar se as partes móveis do aparelho funcionam perfeitamente e não emperram, e se há peças quebradas ou danificadas que possam prejudicar o funcionamento da ferramenta eléctrica. Permitir que peças danificadas sejam reparadas antes da utilização.** Muitos acidentes têm como causa, a manutenção insuficiente de ferramentas eléctricas.

- ▶ **Manter as ferramentas de corte afiadas e limpas.** Ferramentas de corte cuidadosamente tratadas e com cantos de corte afiados emperram com menos frequência e podem ser conduzidas com maior facilidade.
- ▶ **Utilizar a ferramenta eléctrica, acessórios, ferramentas de aplicação, etc. conforme estas instruções. Considerar as condições de trabalho e a tarefa a ser executada.** A utilização de ferramentas eléctricas para outras tarefas a não ser as aplicações previstas, pode levar a situações perigosas.

Manuseio e utilização cuidadosos de ferramentas com acumuladores

- ▶ **Só carregar acumuladores em carregadores recomendados pelo fabricante.** Há perigo de incêndio se um carregador apropriado para um certo tipo de acumuladores for utilizado para carregar acumuladores de outros tipos.
- ▶ **Só utilizar ferramentas eléctricas com os acumuladores apropriados.** A utilização de outros acumuladores pode levar a lesões e perigo de incêndio.
- ▶ **Manter o acumulador que não está sendo utilizado afastado de cliques, moedas, chaves, parafusos ou outros pequenos objectos metálicos que possam causar um curto-circuito dos contactos.** Um curto-circuito entre os contactos do acumulador pode ter como consequência queimaduras ou fogo.
- ▶ **No caso de aplicação incorrecta pode vaziar líquido do acumulador. Evitar o contacto. No caso de um contacto accidental, deverá enxaguar com água. Se o líquido entrar em contacto com os olhos, também deverá consultar um médico.** Líquido que escapa do acumulador pode levar a irritações da pele ou a queimaduras.

Serviço

- ▶ **Só permita que o seu aparelho seja reparado por pessoal especializado e qualificado e só com peças de reposição originais.** Desta forma é assegurado o funcionamento seguro do aparelho.

Indicações de segurança para aparafusadoras

- ▶ **Ao executar trabalhos durante os quais possam ser atingidos cabos eléctricos, deverá sempre segurar a ferramenta eléctrica pelas superfícies isoladas do punho.** O contacto com um cabo sob tensão também pode colocar sob tensão as peças metálicas da ferramenta eléctrica e levar a um choque eléctrico.
- ▶ **Segurar a ferramenta eléctrica com firmeza.** Ao apertar ou soltar parafusos podem ocorrer, por instantes, altos momentos de reacção.
- ▶ **Espere a ferramenta eléctrica parar completamente, antes de depositá-la.** A ferramenta de aplicação pode emperrar e levar à perda de controlo sobre a ferramenta eléctrica.

38 | Português

- ▶ **Colocar o comutador do sentido de rotação na posição central antes de todos os trabalhos na ferramenta eléctrica (p. ex. manutenção, troca de ferramenta etc.), assim como o para o transporte e arrecadação.** Há perigo de lesões se o interruptor de ligar-desligar for accionado involuntariamente.



Proteger a ferramenta eléctrica contra calor, p. ex. também contra uma permanente radiação solar, fogo, água e humidade. Há perigo de explosão.

- ▶ **Em caso de danos e de utilização incorrecta do acumulador, podem escapar vapores. Arejar bem o local de trabalho e consultar um médico se forem constatados quaisquer sintomas.** É possível que os vapores irrite as vias respiratórias.

Indicações de segurança para carregadores

- ▶ **Este carregador não pode ser utilizado por crianças e pessoas com capacidades físicas, sensoriais ou mentais reduzidas, ou com insuficiente experiência e conhecimentos. Este carregador pode ser utilizado por crianças a partir dos 8 anos, assim como pessoas com capacidades físicas, sensoriais ou mentais reduzidas, ou com insuficiente experiência e conhecimentos, desde que as mesmas sejam supervisionadas ou recebam instruções acerca da utilização segura do carregador e dos perigos provenientes do mesmo.** Caso contrário há perigo de operação errada e ferimentos.
- ▶ **Vigie as crianças durante a utilização, a limpeza e a manutenção.** Desta forma garante que nenhuma criança brinca com o carregador.
- ▶ **Carregue apenas acumuladores de lítio Bosch a partir de uma capacidade de 1,5 Ah (a partir de 3 células de acumulador). A tensão do acumulador**

tem de coincidir com a tensão de carga para acumulador do carregador. Não carregue baterias não recarregáveis. Caso contrário, existe perigo de incêndio e explosão.



Manter o carregador afastado de chuva ou humidade. A infiltração de água num carregador aumenta o risco de choque eléctrico.

- ▶ **Carregar a ferramenta eléctrica apenas com o carregador fornecido.**
- ▶ **Manter o carregador limpo.** Há risco de choque eléctrico devido a sujidade.
- ▶ **Antes de cada utilização é necessário verificar o carregador, o cabo e a ficha. Não utilizar o carregador se forem verificados danos. Não abrir pessoalmente o carregador e só permita que seja reparado por pessoal qualificado e que só sejam utilizadas peças sobressalentes originais.** Carregadores, cabos e fichas danificados aumentam o risco de um choque eléctrico.
- ▶ **Não operar o carregador sobre uma base facilmente inflamável (p. ex. papel, tecidos etc.) ou em ambiente combustível.** Há perigo de incêndio devido ao aquecimento do carregador durante o carregamento.

Descrição do produto e da potência



Devem ser lidas todas as indicações de advertência e todas as instruções. O desrespeito das advertências e instruções apresentadas abaixo pode causar choque eléctrico, incêndio e/ou graves lesões.

Utilização conforme as disposições

O aparelho é destinado para apertar e soltar parafusos.

A luz desta ferramenta eléctrica serve para iluminar a área de trabalho directa da ferramenta eléctrica e não é adequada para a iluminação ambiente no âmbito doméstico.

Componentes ilustrados

A numeração dos componentes ilustrados refere-se à apresentação da ferramenta eléctrica na página de esquemas.

- 1 Mandril de aperto rápido
- 2 Comutador do sentido de rotação
- 3 Tomada de ficha do carregador

40 | Português

- 4 Interruptor de ligar-desligar
- 5 Indicação do estado de carga do acumulador
- 6 Lâmpada "Power Light"
- 7 Carregador
- 8 Ficha do carregador
- 9 Punho (superfície isolada)

***Acessórios apresentados ou descritos não pertencem ao volume de fornecimento padrão. Todos os acessórios encontram-se no nosso programa de acessórios.**

Dados técnicos

Aparafusadora sem fio		LiKo
Nº do produto		3 601 JF4 0..
Tensão nominal	V=	10,8
Nº de rotações em ponto morto	min ⁻¹	0 - 700
Máx. binário de aparafusamento duro/macio conforme ISO 5393	Nm	6/15
máx. Ø de aparafusamento	mm	6
Peso conforme EPTA-Procedure 01:2014	kg	0,90
Temperatura ambiente admissível		
- ao carregar	°C	0... +45
- em funcionamento e durante o armazenamento	°C	-20... +50
Acumulador		Li-Iões
Capacidade	Ah	1,5
Número de elementos do acumulador		3
Carregador		
Nº do produto		1 600 A00 8.. 1 600 A00 9..
Tempo de carga	h	1
Tensão e carga do acumulador	V=	15
Corrente de carga	A	1,5
Classe de proteção		□/II

* potência limitada a temperaturas < 0 °C

Montagem

- ▶ **Colocar o comutador do sentido de rotação na posição central antes de todos os trabalhos na ferramenta eléctrica (p. ex. manutenção, troca de ferramenta etc.), assim como o para o transporte e arrecadação.** Há perigo de lesões se o interruptor de ligar-desligar for accionado involuntariamente.

Carregar o acumulador (veja figura A)

- ▶ **Não utilizar outro carregador.** O carregador fornecido está adaptado ao acumulador de Li-íões montado na sua ferramenta eléctrica.
- ▶ **Observar a tensão de rede!** A tensão da fonte de corrente deve coincidir com a chapa de identificação do carregador. Carregadores marcados para 230 V também podem ser operados com 220 V.

Nota: O acumulador é fornecido parcialmente carregado. Para assegurar a completa potência do acumulador, o acumulador deverá ser carregado completamente no carregador antes da primeira utilização.

O acumulador de íões de lítio pode ser carregado a qualquer altura, sem que a sua vida útil seja reduzida. Uma interrupção do processo de carga não danifica o acumulador.

O acumulador de íões de lítio está protegido por "Electronic Cell Protection (ECP)" contra descarga total. A ferramenta eléctrica é desligada através de um disjuntor de protecção, logo que o acumulador estiver descarregado. A ferramenta de trabalho não se movimenta mais.

- ▶ **Não continuar a premir o interruptor de ligar-desligar após o desligamento automático da ferramenta eléctrica.** O acumulador pode ser danificado.

O processo de carga é iniciado assim que a ficha de rede do carregador for introduzida na tomada e a tomada de carga **8** na tomada **3** que se encontra no lado de baixo do punho.

A indicação do estado de carga do acumulador **5** indica o progresso de carga. Durante o processo de carga a indicação **pisca verde**. Se a indicação do estado de carga do acumulador **5 estiver permanentemente ligada**, significa que o acumulador está completamente carregado.

O punho da ferramenta eléctrica aquece-se durante o processo de carga. Isto é normal.

Separar o carregador da rede eléctrica se não for utilizado por muito tempo.

A ferramenta eléctrica não pode ser utilizada durante o processo de carga; ela não está com defeito se não funcionar durante o processo de carga.

Observar a indicação sobre a eliminação de forma ecológica.

Troca de ferramenta (veja figura B)

- ▶ **Colocar o comutador do sentido de rotação na posição central antes de todos os trabalhos na ferramenta eléctrica (p. ex. manutenção, troca de ferramenta etc.), assim como o para o transporte e arrecadação.** Há perigo de lesões se o interruptor de ligar-desligar for accionado involuntariamente.

O veio de perfuração está bloqueado quando o interruptor de ligar-desligar **4** não está premido. Isto possibilita uma troca rápida, confortável e fácil da ferramenta de trabalho no mandril de brocas.

Abrir o mandril de brocas de aperto rápido **1** girando no sentido de rotação **1**, até ser possível introduzir a ferramenta. Introduzir a ferramenta.

Atarraxar a bucha do mandril de brocas de aperto rápido **1** no sentido de rotação **2** firmemente com a mão, até escutar um clique. Isto trava automaticamente o mandril de brocas.

O travamento solta-se novamente, logo que girar a bucha no sentido contrário para remover a ferramenta.

Aspiração de pó/de aparas

- ▶ Pós de materiais como por exemplo, tintas que contém chumbo, alguns tipos de madeira, minerais e metais, podem ser nocivos à saúde. O contacto ou a inalação dos pós pode provocar reacções alérgicas e/ou doenças nas vias respiratórias do utilizador ou das pessoas que se encontrem por perto. Certos pós, como por exemplo pó de carvalho e faia são considerados como sendo cancerígenos, especialmente quando juntos com substâncias para o tratamento de madeiras (cromato, preservadores de madeira). Material que contém asbesto só deve ser processado por pessoal especializado.
 - Assegurar uma boa ventilação do local de trabalho.
 - É recomendável usar uma máscara de protecção respiratória com filtro da classe P2.

Observe as directivas para os materiais a serem trabalhados, vigentes no seu país.

- ▶ **Evite o acúmulo de pó no local de trabalho.** Pós podem entrar levemente em inalação.

Funcionamento

Colocação em funcionamento

Ajustar o sentido de rotação (veja figura C)

Com o comutador de sentido de rotação **2** é possível alterar o sentido de rotação da ferramenta eléctrica. Com o interruptor de ligar-desligar pressionado **4** isto no entanto não é possível.

Marcha à direita: Para furar e atarraxar parafusos, deverá pressionar o comutador de sentido de rotação **2** completamente para a esquerda.

Marcha à esquerda: Para soltar e desatarraxar parafusos e porcas, deverá pressionar o comutador de sentido de rotação **2** completamente para a direita.

Ligar e desligar

Para a **colocação em funcionamento** da ferramenta eléctrica deverá pressionar o interruptor de ligar-desligar **4** e manter pressionado.

A lâmpada **6** ilumina-se quando o interruptor de ligar-desligar **4** está parcialmente ou completamente premido e ilumina o local de trabalho se a luz ambiente não for suficiente.

Para **desligar** a ferramenta eléctrica, deverá soltar novamente o interruptor de ligar-desligar **4**.

Para poupar energia só deverá ligar a ferramenta eléctrica quando ela for utilizada.

Ajustar o número de rotações

O número de rotações da ferramenta eléctrica ligada pode ser regulada sem escalonamento, dependendo de quanto premir o interruptor de ligar-desligar **4**.

Uma leve pressão sobre o interruptor de ligar-desligar **4** proporciona um número de rotações baixo. Aumentando a pressão, é aumentado o nº de rotações.

Bloqueio automático do veio (Auto-Lock)

Sempre que o interruptor de ligar-desligar **4** não estiver premido, a árvore porta-brocas e portanto a admissão da ferramenta está travada.

Desta forma é possível apertar parafusos até mesmo com o acumulador descarregado ou utilizar a ferramenta eléctrica como chave de fendas.

Travão de funcionamento por inércia

Ao soltar o interruptor de ligar-desligar **4** é travado o mandril de brocas para evitar que a ferramenta de trabalho continue a girar.

44 | Português

Ao atarraxar parafusos, só deverá soltar o interruptor de ligar-desligar **4**, quando o parafuso estiver introduzido na peça a ser trabalhada, de modo que a cabeça esteja alinhada com a superfície. A cabeça do parafuso não entra na peça a ser trabalhada.

LED	Capacidade
Luz permanente 3 x verde	≥ 2/3
Luz permanente 2 x verde	≥ 1/3
Luz permanente 1 x verde	< 1/3
Luz intermitente 1 x verde	Reserva

Protecção contra sobrecarga em dependência da temperatura

Numa utilização correcta, a ferramenta eléctrica não pode ser sobrecarregada. Em caso de sobrecarga ou saída fora da faixa de temperatura permitida para a bateria, o sistema electrónico desliga a ferramenta eléctrica, até que volte a ser alcançada a temperatura ideal de funcionamento.

Indicações de trabalho

- ▶ **A ferramenta eléctrica só deve ser colocada sobre o parafuso quando estiver desligada.** Ferramentas de trabalho em rotação podem escorregar.

Após prolongado trabalho com baixo nº de rotações, deveria permitir que a ferramenta eléctrica funcione em vazio durante aprox. 3 minutos com máximo nº de rotações, para poder arrefecer.

Para furar metal só devem ser utilizadas brocas HSS (HSS = aço de corte rápido de alta potência) afiadas e em perfeito estado. O programa de acessórios Bosch garante a respectiva qualidade.

Antes de atarraxar parafusos, mais longos e maiores, em materiais duros, deveria furar com o diâmetro do núcleo da rosca até aproximadamente $\frac{2}{3}$ do comprimento do parafuso.

Manutenção e serviço**Manutenção e limpeza**

- ▶ **Colocar o comutador do sentido de rotação na posição central antes de todos os trabalhos na ferramenta eléctrica (p. ex. manutenção, troca de ferramenta etc.), assim como o para o transporte e arrecadação.** Há perigo de lesões se o interruptor de ligar-desligar for accionado involuntariamente.
- ▶ **Manter a ferramenta eléctrica e as aberturas de ventilação sempre limpas, para trabalhar bem e de forma segura.**

O acumulador não funciona mais; dirija-se a um serviço pós-venda autorizado para ferramentas eléctricas Bosch.

Se for necessário substituir o cabo de conexão, isto deverá ser realizado pela Bosch ou por uma oficina de serviço pós-venda autorizada para todas as ferramentas eléctricas Bosch para evitar riscos de segurança.

Serviço pós-venda e consultoria de aplicação

O serviço pós-venda responde às suas perguntas a respeito de serviços de reparação e de manutenção do seu produto, assim como das peças sobressalentes. Desenhos explodidos e informações sobre peças sobressalentes encontram-se em:

www.bosch-pt.com

A nossa equipa de consultoria de aplicação Bosch esclarecem com prazer todas as suas dúvidas a respeito da compra, aplicação e ajuste dos produtos e acessórios.

Indique para todas as questões e encomendas de peças sobressalentes a referência de 10 dígitos de acordo com a placa de características do produto.

Brasil

Robert Bosch Ltda.
Caixa postal 1195
13065-900 Campinas
Tel.: +55 (0800) 70 45446
www.bosch.com.br/contato

Angola

InvestGlobal
Parque Logístico
Estrada de Viana Km 12
Luanda
Tel. : +212 948 513 580
E-Mail: helderribeiro@investglobal-ang.com

Transporte

Os acumuladores de iões de lítio, contidos, estão sujeitos ao direito de materiais perigosos. Os acumuladores podem ser transportados na rua pelo utilizador, sem mais obrigações.

Na expedição por terceiros (por ex.: transporte aéreo ou expedição), devem ser observadas as especiais exigências quanto à embalagem e à designação. Neste caso é necessário consultar um especialista de materiais perigosos ao preparar a peça a ser trabalhada.

46 | 中文

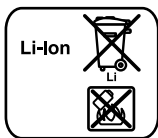
Eliminação



As ferramentas eléctricas, os acessórios e as embalagens devem ser enviados a uma reciclagem ecológica de matéria prima.

Não deitar ferramentas eléctricas e acumuladores/pilhas no lixo doméstico!

Acumuladores/pilhas:



Iões de lítio:

Observar as indicações no capítulo "Transporte", página 45.

► **Os acumuladores integrados só podem ser retirados por pessoal especializado para serem eliminados.** A abertura da carcaça pode causar a destruição da ferramenta eléctrica.

Para retirar o acumulador da ferramenta eléctrica, mantenha pressionado o interruptor de ligar/desligar **4** até o acumulador ficar totalmente descarregado. Desaperte os parafusos na carcaça e remova-a para poder retirar o acumulador. Para evitar um curto-circuito, separe as ligações do acumulador uma a uma e depois isole os pólos. Mesmo com o acumulador totalmente descarregado, ainda existe uma capacidade residual no acumulador que pode ser libertada em caso de curto-circuito.

Sob reserva de alterações.

中文

安全规章

电动工具通用安全警告

警告！ 阅读所有警告和所有说明！ 不遵照以下警告和说明会导致电击、着火和/或严重伤害。

保存所有警告和说明书以备查阅。

在所有下列的警告中术语 " 电动工具 " 指市电驱动 (有线) 电动工具或电池驱动 (无线) 电动工具。

工作场地的安全

- ▶ **保持工作场地清洁和明亮。** 混乱和黑暗的场地会引发事故。
- ▶ **不要在易爆环境，如有易燃液体、气体或粉尘的环境下操作电动工具。** 电动工具产生的火花会点燃粉尘或气体。
- ▶ **让儿童和旁观者离开后操作电动工具。** 注意力不集中会使操作者失去对工具的控制。

电气安全

- ▶ **电动工具插头必须与插座相配。绝不能以任何方式改装插头。** 需接地的电动工具**不能使用任何转换插头。** 未经改装的插头和相配的插座将减少电击危险。
- ▶ **避免人体接触接地表面，如管道、散热片和冰箱。** 如果你身体接地会增加电击危险。
- ▶ **不得将电动工具暴露在雨中或潮湿环境中。** 水进入电动工具将增加电击危险。
- ▶ **不得滥用电线。** 绝不能用电线搬运、拉动电动工具或拔出其插头。使电线远离热源、油、锐边或运动部件。受损或缠绕的软线会增加电击危险。
- ▶ **当在户外使用电动工具时，使用适合户外使用的外接软线。** 适合户外使用的软线将减少电击危险。
- ▶ **如果在潮湿环境下操作电动工具是不可避免的，应使用剩余电流动作保护装置（RCD）。** 使用 RCD 可减小电击危险。

人身安全

- ▶ **保持警觉，当操作电动工具时关注所从事的操作并保持清醒。** 当你感到疲倦，或在有药物、酒精或治疗反应时，**不要操作电动工具。** 在操作电动工具时瞬间的疏忽会导致严重人身伤害。
- ▶ **使用个人防护装置。始终佩戴护目镜。** 安全装置，诸如适当条件下使用防尘面具、防滑安全鞋、安全帽、听力防护等装置能减少人身伤害。
- ▶ **防止意外起动。确保开关在连接电源和 / 或电池盒、拿起或搬运工具时处于关断位置。** 手指放在已接通电源的开关上或开关处于接通时插入插头可能会导致危险。
- ▶ **在电动工具接通之前，拿掉所有调节钥匙或扳手。** 遗留在电动工具旋转零件上的扳手或钥匙会导致人身伤害。

48 | 中文

- ▶ **手不要伸展得太长。时刻注意立足点和身体平衡。** 这样在意外情况下能很好地控制电动工具。
- ▶ **着装适当。不要穿宽松衣服或佩戴饰品。让衣服、手套和头发远离运动部件。** 宽松衣服、佩饰或长发可能会卷入运动部件中。
- ▶ **如果提供了与排屑、集尘设备连接用的装置，要确保他们连接完好且使用得当。** 使用这些装置可减少尘屑引起的危险。

电动工具使用和注意事项

- ▶ **不要滥用电动工具，根据用途使用适当的电动工具。** 选用适当设计的电动工具会使你工作更有效、更安全。
- ▶ **如果开关不能接通或关断工具电源，则不能使用该电动工具。** 不能用开关来控制的电动工具是危险的且必须进行修理。
- ▶ **在进行任何调节、更换附件或贮存电动工具之前，必须从电源上拔掉插头和 / 或使电池盒与工具脱开。** 这种防护性措施将减少工具意外起动的危险。
- ▶ **将闲置不用的电动工具贮存在儿童所及范围之外，并且不要让不熟悉电动工具或对这些说明不了解的人操作电动工具。** 电动工具在未经培训的用户手中是危险的。
- ▶ **保养电动工具。检查运动件是否调整到位或卡住，检查零件破损情况和影响电动工具运行的其他状况。如有损坏，电动工具应在使用前修理好。** 许多事故由维护不良的电动工具引发。
- ▶ **保持切削刀具锋利和清洁。** 保养良好的有锋利切削刃的刀具不易卡住而且容易控制。
- ▶ **按照使用说明书，考虑作业条件和进行的作业来使用电动工具、附件和工具的刀头等。** 将电动工具用于那些与其用途不符的操作可能会导致危险。

电池式工具使用和注意事项

- ▶ **只用制造商规定的充电器充电。** 将适用于某种电池盒的充电器用到其他电池盒时会发生着火危险。
- ▶ **只有在配有专用电池盒的情况下才使用电动工具。** 使用其他电池盒会发生损坏和着火危险。
- ▶ **当电池盒不用时，将它远离其他金属物体，例如回形针、硬币、钥匙、钉子、螺钉或其他小金属物体，以防一端与另一端连接。** 电池端部短路会引起燃烧或火灾。

- ▶ 在滥用条件下，液体会从电池中溅出；避免接触。如果意外碰到了，用水冲洗。如果液体碰到了眼睛，还要寻求医疗帮助。从电池中溅出的液体会发生腐蚀或燃烧。

维修

- ▶ 将你的电动工具送交专业维修人员，使用同样的备件进行修理。这样将确保所维修的电动工具的安全性。

针对起子机的安全规章

- ▶ 在紧固件可能触及暗线进行操作时，要通过绝缘握持面来握持工具。紧固件碰到带电导线会使工具外露的金属零件带电从而使操作者受到电击。
- ▶ 务必握紧电动工具。在拧紧和放松螺丝时，可能出现短暂的强大反击。
- ▶ 等待电动工具完全静止后才能够放下机器。机器上的工具可能在工作中被夹住，而令您无法控制电动工具。
- ▶ 维修电动工具、更换电动工具上的工具或者搬运电动工具时，务必把正逆转开关调整到中央的位置。如果不小心启动起停开关，可能造成伤害。



电动工具必须远离高温，例如长期的日晒、火焰、水和湿气等。
有爆炸的危险。

- ▶ 如果蓄电池损坏了，或者未按照规定使用蓄电池，蓄电池中会散发出有毒蒸汽。工作场所必须保持空气流通，如果身体有任何不适必须马上就医。蓄电池散发的蒸汽会刺激呼吸道。

有关充电器的安全规章

- ▶ 儿童和身体、感官或精神上有缺陷或缺乏经验与知识的人员不得使用本充电器。对于八岁以上的儿童和身体、感官或精神上有缺陷或缺乏经验与知识的人员，倘若其得到负责其安全的人员监护或接受过监护人有关充电器使用的指

导并已了解到可能的危险，则可以使用本充电器。否则会有误操作和人身伤害的危险。

- ▶ **在使用、清洁和保养时请看管好儿童。确保儿童不会使用本充电器玩耍。**
- ▶ **只能对容量自 1.5 安培小时起（电池单元自 3 起）的博世锂离子充电电池进行充电。电池电压必须与充电器的电池充电电压相匹配。切勿给非充电型电池充电。否则存在着火和爆炸的危险。**



充电器必须远离雨水或湿气。如果让水渗入充电器中，会提高触电的危险。

- ▶ **请只使用随附的充电器为电动工具充电。**
- ▶ **充电器必须保持清洁。**如果充电器上囤积污垢容易导致触电。
- ▶ **使用前必须检查充电器、电线和插头。**如果发现故障则不可继续使用充电器。不可擅自拆开充电器。充电器只能交给合格的专业电工修理，并且只能换装原厂零件。损坏的充电器、电线和插头会提高使用者遭受电击的危险。
- ▶ **充电时不可以把充电器放置在易燃的物品（例如纸，纺织品等）上。也不可以在易燃的环境中使用充电器。**充电时充电器会变热，如果在上述状况下使用充电器容易酿造火灾。

产品和功率描述



阅读所有的警告提示和指示。如未确实遵循警告提示和指示，可能导致电击，火灾并且 / 其他的严重伤害。

按照规定使用机器

本电动工具适用于拧入和拧出螺丝。

本电动工具的照明灯用于电动工具工作范围周围的照明，不适用于家庭房间照明。

插图上的机件

机件的编号和电动工具详解图上的编号一致。

- 1 快速夹头
- 2 正逆转开关
- 3 针对充电器插头的插座
- 4 起停开关
- 5 蓄电池的充电电量指示灯
- 6 灯 "PowerLight"
- 7 充电器
- 8 充电插头
- 9 手柄 (绝缘握柄)

* 图表或说明上提到的附件，并不包含在基本的供货范围中。本公司的附件清单中有完整的附件供应项目。

技术数据

充电式起子机		LiKo
物品代码		3 601 JF4 0..
额定电压	伏特 =	10.8
无负载转速	次 / 分	0 – 700
根据 ISO 5393, 硬拧转 / 软拧转的最大扭力	牛·顿米	6/15
最大螺丝直径	毫米	6
重量符合 EPTA-Procedure 01:2014	公斤	0.90
允许的环境温度		
- 充电时	° C	0...+45
- 运行* 和储藏时	° C	-20...+50
充电电池		锂离子
容量	安培小时	1.5
蓄电池室的数目		3

* 温度 < 0 ° C 时功率受限

52 | 中文

充电式起子机

LiCo

充电器

物品代码

1 600 A00 8..

1 600 A00 9..

充电时间

小时

1

蓄电池 - 充电电压

伏特^{*)}

15

充电电流

安培

1.5

绝缘等级

□/II

* 温度 < 0 °C 时功率受限

安装

- ▶ **维修电动工具、更换电动工具上的工具或者搬运电动工具时，务必把正逆转开关调整到中央的位置。** 如果不小心启动起停开关，可能造成伤害。

为蓄电池充电（参考插图 A）

- ▶ **不可以使用其它厂牌的充电器。** 附带的充电器是电动工具上的锂离子蓄电池的专用充电器。
- ▶ **注意电源的电压！** 电源的电压必须和充电器铭牌上标示的电压数据一致。

指示： 蓄电池在交货时只完成部分充电。首度使用电动工具之前，必须先充足蓄电池的电以确保蓄电池的功率。

可以随时为锂离子蓄电池充电，不会缩短电池的使用寿命。如果充电过程突然中断，也不会损坏电池。

本锂离子蓄电池配备了“电子充电室保护装置 (ECP)”，可以防止蓄电池过度放电。电池的电量如果用尽了，保护开关会自动关闭电动工具：安装在机器上的工具会停止转动。

- ▶ **电动工具被关闭之后，切勿继续按住起停开关。** 可能损坏电池。

一旦将充电器的电源插头插入电源插座，且充电插头 8 插入手柄底面上的插口 3，充电过程便开始。

充电电池的充电电量指示灯 5 显示充电进度。充电时指示灯呈**绿色闪烁**。如果充电电池的充电电量指示灯 5 **长亮为绿色**，则充电电池已充满电。

在充电过程中电动工具的手柄会变热，这是正常的现象。

不使用充电器时必须中断充电器的电源供应。

在充电过程中无法使用电动工具；如果在充电过程中电动工具没有反应，并非机器故障了。

请注意有关作废处理的规定。

更换工具（参考插图 B）

▶ **维修电动工具、更换电动工具上的工具或者搬运电动工具时，务必把正逆转开关调整到中央的位置。** 如果不小心启动起停开关，可能造成伤害。

如果未按下起停开关 4，主轴是处在锁定状态。因此能够简便、快速地在夹头上更换工具。

朝着 ❶ 的方向拧转可以打开快速夹头 1。把夹头打开至能够放入工具为止。安装好工具。

用手朝着 ❷ 方向用力旋紧快速夹头 1 的套筒，直到听见咔嚓一声为止。由此钻夹头会被自动锁止。

当您朝著反方向转动套筒以便取出工具时，锁定便已经自动解除。

吸锯尘 / 吸锯屑

▶ 含铅的颜料以及某些木材、矿物和金属的加工废尘有害健康。机器操作者或者工地附近的人如果接触、吸入这些废尘，可能会有过敏反应或者感染呼吸道疾病。

某些尘埃（例如加工橡木或山毛榉的废尘）可能致癌，特别是和处理木材的添加剂（例如木材的防腐剂等）结合之后。只有经过专业训练的人才能够加工含石棉的物料。

- 工作场所要保持空气流通。
- 最好佩戴 P2 滤网等级的口罩。

请留心并遵守贵国和加工物料有关的法规。

▶ **避免让工作场所堆积过多的尘垢。** 尘埃容易被点燃。

操作

操作机器

改变转向 (参考插图 C)

使用正逆转开关 2 可以改变机器的转向。如果按住了起停开关 4, 则无法改变转向。

正转: 适用于正常钻和转紧螺丝时, 把正逆转开关 2 向左推到底。

逆转: 适用于放松 / 转出螺丝和螺母, 把正逆转开关 2 向右推到底。

开动 / 关闭

操作电动工具时先按下电动工具的起停开关 4, 并持续按着。

轻按或是把起停开关 4 按到底时灯 6 会亮起。在照明状况不佳的环境中可以借此照亮操作位置。

放开起停开关 4 便可以**关闭**电动工具。

为了节约能源, 只在当您要使用机器时, 才开动电动工具。

调整转速

你可以无级式调整转速, 把起停开关 4 按得越紧, 转速就越快。

轻按起停开关 4 机器以低转速运转。逐渐在开关上加压, 转速也会跟着提高。

全自动的主轴锁定功能 (Auto-Lock)

如果未按下起停开关 4, 主轴和工具接头都是被锁定的。

因此, 即使蓄电池没电了, 也可以使用本电动工具拧入螺丝, 换句话说, 也可以使用本机器充当螺丝起子。

制止惯性转动功能

放开起停开关 4 之后, 夹头会马上被制止, 进而防止夹头上的工具进入惯性转动状态。

拧入螺丝时, 必须等待螺丝头和物料表面齐平之后, 才可以放开起停开关 4。如此螺丝头才不会陷入物料中。

LED	容量
3 个绿灯持续亮着	≥ 2/3
2 个绿灯持续亮着	≥ 1/3

LED	容量
1 个绿灯持续亮着	<1/3
1 个绿灯闪烁	备用电量

温控的过载保护装置

按照规定使用时不会造成电动工具过载。负载过大或超过允许的充电电池温度时，电子装置会关闭电动工具，直到其恢复到最佳工作范围。

有关操作方式的指点

- ▶ **确定电动工具已经关闭了，才可以把电动工具顶在螺丝头上。** 转动中的起子头容易从螺丝头上滑开。

在机器以低转速长期运作之后，可让机器在空载的状况下，以最高转速旋转 3 分钟，以加速冷却。

在金属上钻孔时只能使用完好，经过研磨的 HSS 钻头（HSS= 高效率高速钢）。在博世的附件产品系列中，有符合这个品质等级的产品。

把大的、长的螺丝拧入坚硬的物料中之前，必须根据螺纹的中心直径打预钻孔，预钻孔的深度大概为螺丝长度的 $\frac{2}{3}$ 。

维修和服务

维修和清洁

- ▶ **维修电动工具、更换电动工具上的工具或者搬运电动工具时，务必把正逆转开关调整到中央的位置。** 如果不小心启动起停开关，可能造成伤害。
- ▶ **电动工具和通风间隙都必须保持清洁，这样才能够提高工作品质 and 安全性。**

如果蓄电池故障了，可以向博世电动工具公司授权的客户服务中心支援。如果必须更换连接线，务必把这项工作交给博世或者经授权的博世电动工具顾客服务执行，以避免危害机器的安全性能。

顾客服务处和顾客咨询中心

本公司顾客服务处负责回答有关本公司产品的修理，维护和备件的问题。以下的网页中有爆炸图和备件的资料：

56 | 中文

www.bosch-pt.com

博世顾客咨询团队非常乐意为您解答有关本公司产品及附件的问题。

如需查询和订购备件，请务必提供产品型号铭牌上的 10 位数货号。

有关保证，维修或更换零件事宜，请向合格的经销商查询。

中国大陆

博世电动工具（中国）有限公司

中国 浙江省 杭州市

滨江区滨康路 567 号

邮政编码：310052

免费服务热线：4008268484

传真：(0571) 87774502

电邮：contact.ptcn@cn.bosch.com

www.bosch-pt.com.cn

罗伯特·博世有限公司

香港北角英皇道 625 号 21 楼

客户服务热线：+852 2101 0235

传真：+852 2590 9762

电邮：info@hk.bosch.com

网站：www.bosch-pt.com.hk

制造商地址：

Robert Bosch Power Tools GmbH

罗伯特·博世电动工具有限公司

70538 Stuttgart / GERMANY


70538 斯图加特 / 德国

搬运

随着机器一起供货的锂离子蓄电池必须受危险物品法规范。使用者无须另外使用保护包装便可以运送该蓄电池。

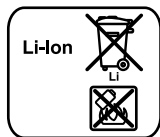
但是如果将它交由第三者运送（例如：寄空运或委托运输公司）则要使用特殊的包装和标示。此时必须向危险物品专家请教有关寄送危险物品的相关事宜。

处理废弃物

 必须以符合环保的方式，回收再利用损坏的电动工具，蓄电池，附件和废弃的包装材料。

不可以把电动工具和蓄电池 / 电池丢入一般的家庭垃圾中！

充电电池 / 电池：



锂离子：

请注意 " 搬运 " 段落中的指示，页 56。

► 要进行废物处理，只能由专业人员取下内置充电电池。打开壳体可能损坏电动工具。


为了从电动工具上取出充电电池，请按起停开关 4，直到充电电池放电为止。旋出外壳上的螺栓并取下壳体，以便取出充电电池。为了防止短路，请依次逐个断开充电电池上的连接并将它们和接线端绝缘。即使完全放电，在充电电池中仍包含有短路情况下会释放的剩余电容。

保留修改权。

中文

安全規章

電動工具通用安全警告

 **警告** 閱讀所有警告和所有說明。不遵照以下警告和說明會導致電擊、著火和 / 或嚴重傷害。

保存所有警告和說明書以備查閱。

在所有下列的警告中術語 " 電動工具 " 指市電驅動（有線）電動工具或電池驅動（無線）電動工具。

工作場地的安全

- ▶ **保持工作場地清潔和明亮。** 混亂和黑暗的場地會引發事故。
- ▶ **不要在易爆環境，如有易燃液體、氣體或粉塵的環境下操作電動工具。** 電動工具產生的火花會點燃粉塵或氣體。
- ▶ **讓兒童和旁觀者離開後操作電動工具。** 注意力不集中會使你失去對工具的控制。

電氣安全

- ▶ **電動工具插頭必須與插座相配。絕不能以任何方式改裝插頭。** 需接地的電動工具不能使用任何轉換插頭。未經改裝的插頭和相配的插座將減少電擊危險。
- ▶ **避免人體接觸接地表面，如管道、散熱片和冰箱。** 如果你身體接地會增加電擊危險。
- ▶ **不得將電動工具暴露在雨中或潮濕環境中。** 水進入電動工具將增加電擊危險。
- ▶ **不得濫用電線。絕不能用電線搬運、拉動電動工具或拔出其插頭。使電線遠離熱源、油、銳邊或運動部件。** 受損或纏繞的軟線會增加電擊危險。
- ▶ **當在戶外使用電動工具時，使用適合戶外使用的外接軟線。** 適合戶外使用的軟線，將減少電擊危險。
- ▶ **如果在潮濕環境下操作電動工具是不可避免的，應使用剩餘電流動作保護器（RCD）。** 使用 RCD 可減小電擊危險。

人身安全

- ▶ **保持警覺，當操作電動工具時關注所從事的操作並保持清醒。當你感到疲倦，或在有藥物、酒精或治療反應時，不要操作電動工具。** 在操作電動工具時瞬間的疏忽會導致嚴重人身傷害。
- ▶ **使用個人防護裝置。始終佩戴護目鏡。** 安全裝置，諸如適當條件下使用防塵面具、防滑安全鞋、安全帽、聽力防護等裝置能減少人身傷害。
- ▶ **防止意外起動。確保開關在連接電源和 / 或電池盒、拿起或搬運工具時處於關斷位置。** 手指放在已接通電源的開關上或開關處於接通時插入插頭可能會導致危險。
- ▶ **在電動工具接通之前，拿掉所有調節鑰匙或扳手。** 遺留在電動工具旋轉零件上的扳手或鑰匙會導致人身傷害。

- ▶ **手不要伸展得太長。時刻注意立足點和身體平衡。** 這樣在意外情況下能很好地控制電動工具。
- ▶ **著裝適當。不要穿寬鬆衣服或佩戴飾品。** 讓你的衣服、手套和頭髮遠離運動部件。寬鬆衣服、佩飾或長髮可能會捲入運動部件中。
- ▶ **如果提供了與排屑、集塵設備連接用的裝置，要確保他們連接完好且使用得當。** 使用這些裝置可減少塵屑引起的危險。

電動工具使用和注意事項

- ▶ **不要濫用電動工具，根據用途使用適當的電動工具。** 選用適當設計的電動工具會使你工作更有效、更安全。
- ▶ **如果開關不能接通或關斷工具電源，則不能使用該電動工具。** 不能用開關來控制的電動工具是危險的且必須進行修理。
- ▶ **在進行任何調節、更換附件或貯存電動工具之前，必須從電源上拔掉插頭和 / 或使電池盒與工具脫開。** 這種防護性措施將減少工具意外起動的危險。
- ▶ **將閒置不用的電動工具貯存在兒童所及範圍之外，並且不要讓不熟悉電動工具或對這些說明不瞭解的人操作電動工具。** 電動工具在未經培訓的用戶手中是危險的。
- ▶ **保養電動工具。檢查運動件是否調整到位或卡住，檢查零件破損情況和影響電動工具運行的其他狀況。如有損壞，電動工具應在使用前修理好。** 許多事故由維護不良的電動工具引發。
- ▶ **保持切削刀具鋒利和清潔。** 保養良好的有鋒利切削刃的刀具不易卡住而且容易控制。
- ▶ **按照使用說明書，考慮作業條件和進行的作業來使用電動工具、附件和工具的刀頭等。** 將電動工具用於那些與其用途不符的操作可能會導致危險。

電池式工具使用和注意事項

- ▶ **只用製造商規定的充電器充電。** 將適用於某種電池盒的充電器用到其他電池盒時會發生著火危險。
- ▶ **只有在配有專用電池盒的情況下才使用電動工具。** 使用其他電池盒會發生損壞和著火危險。
- ▶ **當電池盒不用時，將它遠離其他金屬物體，例如回形針、硬幣、鑰匙、釘子、螺釘或其他小金屬物體，以防一端與另一端連接。** 電池端部短路會引起燃燒或火災。

60 | 中文

- ▶ 在濫用條件下，液體會從電池中濺出；避免接觸。如果意外碰到了，用水沖洗。如果液體碰到了眼睛，還要尋求醫療幫助。從電池中濺出的液體會發生腐蝕或燃燒。

檢修

- ▶ 將你的電動工具送交專業維修人員，必須使用同樣的備件進行更換。這樣將確保所維修的電動工具的安全性。

針對起子機的安全規章

- ▶ 工作時如果電動起子機可能割斷隱藏的電線，一定要握住絕緣手柄操作機器。電動起子機如果接觸了帶電的線路，電動工具上的金屬部件會導電，可能造成操作者觸電。
- ▶ 務必握緊電動工具。在擰緊和放鬆螺絲時，可能出現短暫的強大反擊。
- ▶ 等待電動工具完全靜止後才能夠放下機器。機器上的工具可能在工作中被夾住，而令您無法控制電動工具。
- ▶ 維修電動工具、更換電動工具上的工具或者搬運電動工具時，務必把正逆轉開關調整到中央的位置。如果不小心啟動起停開關，可能造成傷害。



電動工具必須遠離高溫，例如長期的日曬、火焰、水和濕氣等。有爆炸的危險。

- ▶ 如果蓄電池損壞了，或者未按照規定使用蓄電池，蓄電池中會散發出有毒蒸汽。工作場所必須保持空氣流通，如果身體有任何不適必須馬上就醫。蓄電池散發的蒸汽會刺激呼吸道。

有關充電器的安全規章

- ▶ 此一充電器原本並不是設計提供給兒童以及身體、感官或心智能力有缺陷，或是缺乏相關經驗及知識的人士操作。8歲以上兒童以及身體、感官或心智能力有缺陷，或是缺乏相關經驗及知識的人士，只要在他人監督下或接受過如何安全處置此充電器的指導，並充份瞭解相

關危險，即可使用該充電器。否則可能會造成操作上的錯誤以及受傷危險。

- ▶ **使用、清潔及維修期間，請隨時留意兒童。如此才能確保他們未將本充電器當做玩具任意玩耍。**
- ▶ **僅可對容量 1.5 安培小時（3 顆以上充電電池）的博世鋰電池進行充電。充電電池的電壓必須與充電器的充電電壓相符。請勿對一般傳統型的可充電電池進行充電。否則有失火與爆炸之虞。**



充電器必須遠離雨水或濕氣。如果讓水滲入充電器中，會提高觸電的危險。

- ▶ **僅能使用隨附的充電器為電動工具充電。**
- ▶ **充電器必須保持清潔。如果充電器上囤積污垢容易導致觸電。**
- ▶ **使用前必須檢查充電器、電線和插頭。如果發現故障則不可繼續使用充電器。不可擅自拆開充電器。充電器只能交給合格的專業電工修理，並且只能換裝原廠零件。損壞的充電器、電線和插頭會提高使用者遭受電擊的危險。**
- ▶ **充電時不可以把充電器放置在易燃的物品（例如紙，紡織品等）上。也不可以在易燃的環境中使用充電器。充電時充電器會變熱，如果在上述狀況下使用充電器容易釀造火災。**

產品和功率描述



閱讀所有的警告提示和指示。如未確實遵循警告提示和指示，可能導致電擊、火災並且 / 或其他的嚴重傷害。

按照規定使用機器

本電動工具適用於擰入和擰出螺絲。

62 | 中文

本電動工具的燈光是設計用於照明電動工具的工作範圍，並不適合用於居家照明。

插圖上的機件

機件的編號和電動工具詳解圖上的編號一致。

- 1 快速夾頭
- 2 正逆轉開關
- 3 針對充電器插頭的插座
- 4 起停開關
- 5 蓄電池的充電電量指示燈
- 6 燈 "PowerLight"
- 7 充電器
- 8 充電插頭
- 9 手柄（絕緣握柄）

*圖表或說明上提到的附件，並不包含在基本的供貨範圍中。本公司的附件清單中有完整的附件供應項目。

技術性數據

充電式起子機		LiKo
物品代碼		3 601 JF4 0..
額定電壓	伏特 =	10.8
無負載轉速	次 / 分	0 -7 00
根據 ISO 5393, 硬擰轉 / 軟擰轉的最大扭力	牛頓米	6/15
最大螺絲直徑	毫米	6
重量符合 EPTA—Procedure01 : 2014	公斤	0.90
容許環境溫度		
- 充電狀態下	° C	0...+45
- 運轉時* 與存放狀態下	° C	-20...+50
蓄電池		鋰離子
容量	安培小時	1.5
蓄電池室的數目		3

* 溫度 < 0 ° C 時，性能受限

充電式起子機

LiCo

電源供應器

物品代碼

1 600 A00 8..

1 600 A00 9..

充電時間

小時

1

蓄電池 – 充電電壓

伏特^{*)}

15

充電電流

安培

1.5

絕緣等級

□/II

* 溫度 < 0 °C 時，性能受限

安裝

- ▶ **維修電動工具、更換電動工具上的工具或者搬運電動工具時，務必把正逆轉開關調整到中央的位置。** 如果不小心啟動起停開關，可能造成傷害。

為蓄電池充電（參考插圖 A）

- ▶ **不可以使用其它廠牌的充電器。** 附帶的充電器是電動工具上的鋰離子蓄電池的專用充電器。
- ▶ **注意電源的電壓！** 電源的電壓必須和充電器銘牌上標示的電壓數據一致。

指示：蓄電池在交貨時只完成部分充電。首度使用電動工具之前，必須先充足蓄電池的電以確保蓄電池的功率。

可以隨時為鋰離子蓄電池充電，不會縮短電池的使用壽命。如果充電過程突然中斷，也不會損壞電池。

本鋰離子蓄電池配備了“電子充電室保護裝置 (ECP)”，可以防止蓄電池過度放電。電池的電量如果用盡了，保護開關會自動關閉電動工具：安裝在機器上的工具會停止轉動。

- ▶ **電動工具被關閉之后，切勿繼續按住起停開關。** 可能損壞電池。

只需將充電器的電源插頭插至插座上，並將充電插頭 8 插入把手底部的插孔 3 內，即可自動開始充電。

充電電池的充電電量顯示器 5 用來示意充電進度。正在進行充電時，該顯示器的**綠燈將不斷閃爍**。當充電電池的充電電量顯示器 5 **持續亮起綠燈**時，表示充電電池已充飽電。

64 | 中文

在充電過程中電動工具的手柄會變熱，這是正常的現象。

不使用充電器時必須中斷充電器的電源供應。

在充電過程中無法使用電動工具；如果在充電過程中電動工具沒有反應，並非機器故障了。

請注意有關作廢處理的規定。

更換工具（參考插圖 B）

▶ **維修電動工具、更換電動工具上的工具或者搬運電動工具時，務必把正逆轉開關調整到中央的位置。** 如果不小心啟動起停開關，可能造成傷害。

如果未按下起停開關 4 主軸是處在鎖定狀態。因此能夠簡便、快速地在夾頭上更換工具。

朝著 ❶ 的方向擰轉可以打開快速夾頭 1。把夾頭打開至能夠放入工具為止。安裝好工具。

依旋轉方向 ❷ 徒手用力扭轉快速夾頭 1 的套筒，直到聽見咔嚓一聲。這樣才代表夾頭已自動上鎖。

當您朝著反方向轉動套筒以便取出工具時，鎖定便已經自動解除。

吸鋸塵 / 吸鋸屑

▶ 含鉛的顏料以及某些木材、礦物和金屬的加工廢塵有害健康。機器操作者或者工地附近的人如果接觸、吸入這些廢塵，可能會有過敏反應或者感染呼吸道疾病。

某些塵埃（例如加工橡木或山毛櫸的廢塵）可能致癌，特別是和處理木材的添加劑（例如木材的防腐劑等）結合之後。只有經過專業訓練的人才能夠加工含石棉的物料。

- 工作場所要保持空氣流通。
- 最好佩戴 P2 濾網等級的口罩。

請留心並遵守貴國和加工物料有關的法規。

▶ **避免讓工作場所堆積過多的塵垢。** 塵埃容易被點燃。

操作

操作機器

改變轉向 (參考插圖 C)

使用正逆轉開關 2 可以改變機器的轉向。如果按住了起停開關 4，則無法改變轉向。

正轉：適用於正常鑽和轉緊螺絲時，把正逆轉開關 2 向左推到底。

逆轉：適用於放鬆 / 轉出螺絲和螺母，把正逆轉開關 2 向右推到底。

開動 / 關閉

操作電動工具時先按下電動工具的起停開關 4，並持續按著。

輕按或是把起停開關 4 按到底時燈 6 會亮起。在照明狀況不佳的環境中可以借此照亮操作位置。

放開起停開關 4 便可以關閉電動工具。

為了節約能源，只在當您要使用機器時，才開動電動工具。

調整轉速

你可以無級式調整轉速，把起停開關 4 按得越緊，轉速就越快。

輕按起停開關 4 機器以低轉速運轉。逐漸在開關上加壓，轉速也會跟著提高。

全自動的主軸鎖定功能 (Auto-Lock)

如果未按下起停開關 4，主軸和工具接頭都是被鎖定的。

因此，即使蓄電池沒電了，也可以使用本電動工具擰入螺絲，換句話說，也可以使用本機器充當螺絲起子。

制止慣性轉動功能

放開起停開關 4 之後，夾頭會馬上被制止，進而防止夾頭上的工具進入慣性轉動狀態。

擰入螺絲時，必須等待螺絲頭和物料表面齊平之後，才可以放開起停開關 4。如此螺絲頭才不會陷入物料中。

LED	容量
3 個綠燈持續亮著	≥ 2/3
2 個綠燈持續亮著	≥ 1/3

66 | 中文

LED	容量
1 個綠燈持續亮著	<1/3
1 個綠燈閃爍	備用電量

溫控的過載保護裝置

只要按照規定使用，電動工具就不可能過載。萬一負載過重或充電電池的溫度已超出允許範圍，電動工具上的電子設備將自動暫時關機，直到溫度重新回到理想操作溫度的範圍內。

有關操作方式的指點

- ▶ **確定電動工具已經關閉了，才可以把電動工具頂在螺絲頭上。** 轉動中的起子頭容易從螺絲頭上滑開。

在機器以低轉速長期運作之後，可讓機器在空載的狀況下，以最高轉速旋轉 3 分鐘，以加速冷卻。

在金屬上鑽孔時只能使用完好，經過研磨的 HSS 鑽頭（HSS= 高效率高速鋼）。在博世的附件產品系列中，有符合這個品質等級的產品。

把大的、長的螺絲擰入堅硬的物料中之前，必須根據螺紋的中心直徑打預鑽孔，預鑽孔的深度大概為螺絲長度的 $\frac{2}{3}$ 。

維修和服務

維修和清潔

- ▶ **維修電動工具、更換電動工具上的工具或者搬運電動工具時，務必把正逆轉開關調整到中央的位置。** 如果不小心啟動起停開關，可能造成傷害。
- ▶ **電動工具和通風間隙都必須保持清潔，這樣才能夠提高工作品質和安全性。**

如果蓄電池故障了，可以向博世電動工具公司授權的客戶服務中心求援。

如果必須更換連接線，務必把這項工作交給博世或者經授權的博世電動工具顧客服務執行，以避免危害機器的安全性能。

顧客服務處和顧客諮詢中心

本公司顧客服務處負責回答有關本公司產品的修理、維護和備件的問題。
以下的網頁中有爆炸圖和備件的資料：

www.bosch-pt.com

博世顧客諮詢團隊非常樂意為您解答有關本公司產品及附件的問題。

當您需要諮詢或訂購備用零組件時，請務必提供本產品型號銘牌上的 10 位項目編號。

台灣

台灣羅伯特博世股份有限公司

建國北路一段 90 號 6 樓

台北市 10491

電話：(02) 2515 5388

傳真：(02) 2516 1176

www.bosch-pt.com.tw

制造商地址：

Robert Bosch Power Tools GmbH

羅伯特·博世電動工具有限公司

70538 Stuttgart / GERMANY

70538 斯圖加特 / 德國

搬運

隨著機器一起供貨的鋰離子蓄電池必須受危險物品法規範。使用者無須另外使用保護包裝便可以運送該蓄電池。

但是如果將它交由第三者運送（例如：寄空運或委託運輸公司）則要使用特殊的包裝和標示。此時必須向危險物品專家請教有關寄送危險物品的相關事宜。

處理廢棄物



必須以符合環保的方式，回收再利用損壞的電動工具，蓄電池，附件和廢棄的包裝材料。

不可以把電動工具和蓄電池 / 電池丟入一般的家庭垃圾中！

蓄電池 / 一般電池 :**鋰離子 :**

請注意 "搬運" 段落中的指示, 頁 67。

- ▶ 如果是內建式充電電池, 則必須由專業人員拆下後進行回收。任意拆開電動工具外殼, 可能導致其毀損。

若欲將充電電池從電動工具中取出, 請持續按住電源開關 4, 直到充電電池完全放電。卸下機殼上的螺柱後, 拆開外殼, 然後就可以將充電電池取出。為防短路, 依序斷開充電電池的接點之後, 請立刻為它們作好絕緣保護; 電池極片亦應如此。充電電池即使完全放電後, 裡面仍會有殘留的餘電, 可能在發生短路時釋出。

保留修改權。

한국어

안전 수칙

전동공구용 일반 안전수칙

! 경고 모든 안전수칙과 지시 사항을 상세히 읽고 지켜야 합니다. 다음의 안전수칙과 지시 사항을 준수하지 않으면 화재 위험이 있으며 감전 혹은 중상을 입을 수 있습니다.

앞으로의 참고를 위해 이 안전수칙과 사용 설명서를 잘 보관하십시오.

다음에서 사용되는 "전동공구" 라는 개념은 전원에 연결하여 사용하는 전동 기기(전선이 있는)나 배터리를 사용하는 전동 기기(전선이 없는)를 의미합니다.

작업장 안전

- ▶ **작업장을 항상 깨끗이 하고 조명을 밝게 하십시오.**

작업장 환경이 어수선하거나 어두우면 사고를 초래할 수 있습니다.

- ▶ **가연성 유체, 가스 또는 분진이 있어 폭발 위험이 있는 환경에서 전동공구를 사용하지 마십시오.** 전동공구는 분진이나 증기에 점화하는 스파크를 일으킬 수 있습니다.
- ▶ **전동공구를 사용할 때 구경꾼이나 어린이 혹은 다른 사람이 작업장에 접근하지 못하게 하십시오.** 다른 사람이 주의를 산만하게 하면 기기에 대한 통제를 잃기 쉽습니다.

전기에 관한 안전

- ▶ **전동공구의 전원 플러그가 전원 콘센트에 잘 맞아야 합니다.** 플러그를 조금이라도 변경시켜서는 안됩니다. 접지된 전동공구를 사용할 때 어댑터 플러그를 사용하지 마십시오. 변형되지 않은 플러그와 잘 맞는 콘센트를 사용하면 감전의 위험을 감소할 수 있습니다.
- ▶ **파이프 관, 라디에이터, 레인지, 냉장고와 같은 접지 표면에 몸이 닿지 않도록 하십시오.** 몸에 닿을 경우 감전될 위험이 높습니다.
- ▶ **전동공구를 비에 맞지 않게 하고 습기 있는 곳에 두지 마십시오.** 전동공구에 물이 들어가면 감전될 위험이 높습니다.
- ▶ **전원 코드를 잡고 전동공구를 운반하거나 걸어 놓아서는 안되며, 콘센트에서 전원 플러그를 뽑을 때 전원 코드를 잡아 당겨서는 절대로 안됩니다.** 전원 코드가 열과 오일에 접촉하는 것을 피하고, 날카로운 모서리나 기기의 가동 부위에 닿지 않도록 주의하십시오. 손상되거나 영킨 전원 코드는 감전을 유발할 수 있습니다.
- ▶ **실외에서 전동공구로 작업할 때는 실외용으로 적당한 연장 전원 코드만을 사용하십시오.** 실외용 연장 전원 코드를 사용하면 감전의 위험을 줄일 수 있습니다.
- ▶ **전동공구를 습기 찬 곳에서 사용해야 할 경우에는 누전 차단기를 사용하십시오.** 누전 차단기를 사용하면 감전 위험을 줄일 수 있습니다.

사용자 안전

- ▶ **신중하게 작업하십시오.** 작업을 할 때 주의를 하며, 전동공구를 사용할 때 경솔하게 행동하지 마십시오. 피로한 상태이거나 약을 복용 및 음주한 후에는 전동공구를 사용하지 마십시오. 전동공구를 사용할 때 잠시라도 주의가 산만해지면 중상을 입을 수 있습니다.
- ▶ **작업자 안전을 위한 장치를 사용하십시오.** 항상 보안경을 착용하십시오. 전동공구의 종류와 사용에 따라 먼지 보호 마스크, 미끄러지지 않는 안전한 신발, 안전모 또는 귀마개 등의 안전한 복장을 하면 상해의 위험을 줄일 수 있습니다.

70 | 한국어

- ▶ 실수로 기기가 작동되지 않도록 주의하십시오. 전동공구를 전원에 연결하거나 배터리를 끼우기 전에, 혹은 기기를 들거나 운반하기 전에, 전원 스위치가 꺼져 있는지 다시 확인하십시오. 전동공구를 운반할 때 전원 스위치에 손가락을 대거나 전원 스위치가 켜진 상태에서 전원을 연결하면 사고 위험이 높습니다.
- ▶ 전동공구를 사용하기 전에 조절하는 톨이나 나사 키 등을 빼 놓으십시오. 회전하는 부위에 있는 톨이나 나사 키로 인해 상처를 입을 수 있습니다.
- ▶ 자신을 과신하지 마십시오. 불안정한 자세를 피하고 항상 평형을 이룬 상태로 작업하십시오. 안정된 자세와 평형한 상태로 작업해야만이 의외의 상황에서도 전동공구를 안전하게 사용할 수 있습니다.
- ▶ 알맞은 작업복을 입으십시오. 헐렁한 복장을 하거나 장신구를 착용하지 마십시오. 머리카락 또는 장갑이 가동하는 기기 부위에 가까이 닿지 않도록 주의하십시오. 헐렁한 복장, 장신구 혹은 긴 머리는 가동 부위에 말려 사고를 초래할 수 있습니다.
- ▶ 분진 추출장치나 수거장치의 조립이 가능한 경우, 이 장치가 연결되어 있는지, 제대로 작동이 되는지 확인하십시오. 이러한 분진 추출장치를 사용하면 분진으로 인한 사고 위험을 줄일 수 있습니다.

전동공구의 올바른 사용과 취급

- ▶ 기기를 과부하 상태에서 사용하지 마십시오. 작업할 때 이에 적당한 전동공구를 사용하십시오. 알맞은 전동공구를 사용하면 지정된 성능 한도 내에서 더 효율적으로 안전하게 작업할 수 있습니다.
- ▶ 전원 스위치가 고장 난 전동공구를 사용하지 마십시오. 전원 스위치가 작동되지 않는 전동공구는 위험하므로, 반드시 수리를 해야 합니다.
- ▶ 기기에 세팅을 하거나 액세서리 부품을 교환하거나 혹은 기기를 보관할 때, 항상 전원 콘센트에서 플러그를 미리 빼어 놓으십시오. 이러한 조치는 실수로 전동공구가 작동하게 되는 것을 예방합니다.
- ▶ 사용하지 않는 전동공구는 어린이 손이 닿지 않는 곳에 보관하고, 전동공구 사용에 익숙지 않거나 이 사용 설명서를 읽지 않은 사람은 기기를 사용해서는 안됩니다. 경험이 없는 사람이 전동공구를 사용하면 위험합니다.
- ▶ 전동공구를 조심스럽게 관리하십시오. 가동 부위가 하자 없이 정상적인 기능을 하는지, 걸리는 부위가 있는지, 혹은 전동공구의 기능에 중요한 부품이 손상되지 않았는지 확인하십시오. 손상된 기기의 부품은 전동공구를 다시 사용하기 전에 반드시 수리를 맡기십시오. 제대로 관리하지 않은 전동공구의 경우 많은 사고를 유발합니다.

- ▶ **절단 공구를 날카롭고 깨끗하게 관리하십시오.** 날카로운 절단면이 있고 잘 관리된 절단공구는 걸리는 경우가 드물고 조절하기도 쉽습니다.
- ▶ **전동공구, 액세서리, 장착하는 공구 등을 사용할 때, 이 지시 사항과 특별히 기종 별로 나와있는 사용 방법을 준수하십시오.** 이때 작업 조건과 실시하려는 작업 내용을 고려하십시오. 원래 사용 분야가 아닌 다른 작업에 전동공구를 사용할 경우 위험한 상황을 초래할 수 있습니다.

충전 전동공구의 올바른 사용과 취급

- ▶ **배터리를 충전할 때 제조 회사가 추천하는 충전기만을 사용하여 재충전해야 합니다.** 특정 제품의 배터리를 위하여 제조된 충전기에 적합하지 않은 다른 배터리를 충전할 경우 화재 위험이 있습니다.
- ▶ **각 전동공구용으로 나와있는 배터리만을 사용하십시오.** 다른 종류의 배터리를 사용하면 상해를 입거나 화재를 초래할 수 있습니다.
- ▶ **배터리를 사용하지 않을 때는, 각 극 사이에 브리징 상태가 생길 수 있으므로 페이퍼 클립, 동전, 열쇠, 못, 나사 등 유사한 금속성 물체와 멀리하여 보관하십시오.** 배터리 극 사이에 쇼트가 일어나 화상을 입거나 화재를 야기할 수 있습니다.
- ▶ **배터리를 잘못 사용하면 누수가 생길 수 있습니다.** 누수가 생긴 배터리에 닿지 않도록 하십시오. 피부에 접촉하게 되었을 경우 즉시 물로 씻으십시오. 유체가 눈에 닿았을 경우 바로 의사와 상담하십시오. 배터리에서 나오는 유체는 피부에 자극을 주거나 화상을 입힐 수 있습니다.

서비스

- ▶ **전동공구 수리는 반드시 전문 인력에게 맡기고, 수리 정비 시 보수 순정 부품만을 사용하십시오.** 그렇게 함으로써 기기의 안전성을 오래 유지할 수 있습니다.

스크류 드라이버용 안전 수칙

- ▶ **작업할 때 나사못으로 보이지 않는 전선에 닿을 위험이 있으면 전동공구의 절연된 손잡이 면을 잡으십시오.** 나사못이 전류가 흐르는 전선에 접촉하게 되면 기기의 금속 부위에 전기가 통해 감전될 위험이 있습니다.
- ▶ **전동공구를 꼭 잡으십시오.** 나사못을 조이거나 풀 때 일시적으로 강한 반동력이 생길 수 있습니다.
- ▶ **전동공구를 내려놓기 전에 기기가 완전히 멈추었는지를 확인하십시오.** 벨트가 걸려 전동공구에 대한 통제가 어려워질 수 있습니다.

72 | 한국어

- ▶ **전동공구에 정비를 하거나 비트 등을 교환하기 전에, 혹은 기기를 운반하거나 보관할 때 회전방향 선택 스위치를 반드시 중간 위치에 두십시오.** 실수로 전원 스위치가 작동하여 상해를 입을 수 있습니다.



전동공구를 태양 광선에 두는 등 고열에 장시간 노출되지 않도록 하고, 불과 물 그리고 수분이 있는 곳에 두지 마십시오. 폭발 위험이 있습니다.

- ▶ **배터리가 손상되었거나 잘못 사용될 경우 증기가 발생할 수 있습니다.** 작업장을 환기시키고, 필요한 경우 의사와 상담하십시오. 증기로 인해 호흡기가 자극될 수 있습니다.

충전기 안전수칙

- ▶ **어린이 및 정신지체 및 신체 부자유자, 경험이 나 지식이 부족한 사람은 충전기 사용 대상으로 적합하지 않습니다.** 본 충전기는 안전 책임자의 감독 하에 혹은 감독자에게 충전기의 안전한 사용법과 관련 위험사항에 대한 교육을 받고 이해한 경우에 한해 8세 이상의 어린이, 정신지체 및 신체 부자유자, 혹은 경험이나 지식이 부족한 사람이 사용할 수 있습니다. 이를 지키지 않을 경우, 오작동과 부상의 위험이 따릅니다.
- ▶ **충전기 사용, 세척 및 유지보수 작업 시 어린이들을 잘 감독하십시오.** 충전기를 가지고 장난치는 일이 없도록 해야 합니다.
- ▶ **용량이 이상인 Bosch 리튬 - 이온 배터리 만을 충전하십시오 1.5 Ah (3 배터리 셀 이상).** 배터리 전압은 충전기의 충전전압에 맞아야 합니다. 재충전 가능한 배터리를 충전하지 마십시오.

시오. 그렇지 않을 경우 화재 및 폭발의 위험이 있습니다.



충전기가 비에 맞지 않게하고 습기 있는 곳에 두지 마십시오. 충전기 안으로 물이 들어가면 감전될 위험이 높습니다.

- ▶ 전동공구는 함께 공급된 충전기를 통해서만 충전하십시오.
- ▶ 충전기를 깨끗이 유지하십시오. 오염으로 인해 감전될 위험이 있습니다.
- ▶ 사용하기 전마다 충전기, 케이블 및 플러그를 점검하십시오. 손상된 부위가 발견되면 충전기를 사용하지 마십시오. 충전기는 스스로 직접 열지 말고 해당 자격을 갖춘 전문 인력에게만 맡기고 순정 대체품으로만 수리하십시오. 손상된 케이블 및 플러그는 감전의 위험을 높입니다.
- ▶ 충전기를 쉽게 발화하는 표면 (종이나 직물 등) 위나 가연성 물질이 있는 곳에서 사용하지 마십시오. 충전 과정 중에 충전기가 뜨거워지므로 화재 위험이 있습니다.

제품 및 성능 소개



모든 안전수칙과 지시 사항을 상세히 읽고 지켜야 합니다. 다음의 안전수칙과 지시 사항을 준수하지 않으면 화재 위험이 있으며 감전 혹은 중상을 입을 수 있습니다.

규정에 따른 사용

본 전동공구는 나사못을 조이거나 푸는 작업을 하는데 사용해야 합니다. 전동공구의 라이트는 직접 공구 작업 범위를 조명하는 데에 최적화되어 있으며, 가정 공간 조명에는 적합하지 않습니다.

제품의 주요 명칭

제품의 주요 명칭에 표기되어 있는 번호는 기기 그림이 나와있는 면을 참고하십시오.

- 1 키레스 척
- 2 회전방향 선택 스위치
- 3 충전 플러그용 소켓
- 4 전원 스위치
- 5 배터리 충전 상태 표시기

74 | 한국어

6 "PowerLight" 램프

7 충전기

8 충전 플러그

9 손잡이 (절연된 손잡이 부위)

*도면이나 설명서에 나와있는 액세서리는 표준 공급부품에 속하지 않습니다. 전체 액세서리는 저희 액세서리 프로그램을 참고하십시오.

제품 사양

충전 스크류 드라이버		LiCo
제품 번호		3 601 JF4 0..
정격 전압	V=	10.8
무부하 속도	rpm	0 – 700
ISO 5393 에 따른 경질 / 연질 스크류작업 시 최대 토크	Nm	6/15
나사못 직경, 최대	mm	6
EPTA 공정 01:2014 에 따른 중량	kg	0.90
허용되는 주변 온도		
- 충전 시	° C	0... +45
- 작동 시* 및 보관 시	° C	-20... +50
배터리		리튬 이온
용량	Ah	1.5
충전용 배터리 셀 개수		3
충전기		
제품 번호		1 600 A00 8.. 1 600 A00 9..
충전 시간	h	1
배터리 충전 전압	V ^{ac}	15
충전 전류	A	1.5
안전 등급		□/II

* 온도가 0 °C 보다 낮은 경우 성능 제한 있음

조립

▶ 전동공구에 정비를 하거나 비트 등을 교환하기 전에, 혹은 기기를 운반하거나 보관할 때 회전방향 선택 스위치를 반드시 중간 위치에 두십시오. 실수로 전원 스위치가 작동하여 상해를 입을 수 있습니다.

배터리 충전하기 (그림 A 참조)

- ▶ **다른 충전기를 사용하지 마십시오.** 함께 공급되는 충전기는 귀하의 전동 공구에 장착된 리튬 이온 배터리에 맞게 되어 있습니다.
- ▶ **공공 배전 전압에 주의!** 공급되는 전원의 전압은 충전기의 명판에 표기된 전압과 일치해야 합니다.

참고: 배터리는 일부 충전되어 공급됩니다. 배터리의 성능을 완전하게 보장하기 위해서는 처음 사용하기 전에 배터리를 완전히 충전기에 충전하십시오.

리튬이온 배터리는 항상 충전할 수 있으며, 이로 인해 수명이 단축되지 않습니다. 충전을 하다 중간에 중지해도 배터리가 손상되지 않습니다.

리튬이온 배터리는 “전자 셀 보호 (ECP)” 기능이 있어 과도한 방전이 되지 않습니다. 배터리가 방전되면 안전 스위치가 작동하여 전동공구가 꺼지고 비트가 더 이상 움직이지 않습니다.

- ▶ **전동공구가 자동으로 작동이 중단된 경우 전원 스위치를 더 계속 누르십시오.** 이로 인해 배터리가 손상될 수 있습니다.

충전기의 전원 플러그를 콘센트 소켓에 끼우고 충전 플러그 **8** 을 손잡이 아랫면에 있는 부싱 **3** 에서 끼우면 바로 충전이 시작됩니다.

배터리 충전 상태 표시기 **5** 는 충전 진행 상태를 나타냅니다. 충전 과정 중에 표시기의 **녹색 불이 깜박입니다.** 배터리 충전 상태 표시기 **5** 에서 **녹색 불이 지속적으로** 점등되면, 배터리가 완전하게 충전되었음을 나타냅니다. 충전 과정 중에 전동공구의 손잡이가 뜨거워질 수 있는데 이는 정상입니다. 장기간 사용하지 않을 경우 충전기 코드를 전원 콘센트에서 분리하십시오. 충전 중에는 전동공구를 사용할 수 없습니다; 충전하는 동안 기기가 작동하지 않는 것은 고장이 아닙니다.

처리에 관련된 지시 사항을 준수하십시오.

액세서리의 교환 (그림 B 참조)

- ▶ **전동공구에 정비를 하거나 비트 등을 교환하기 전에, 혹은 기기를 운반하거나 보관할 때 회전방향 선택 스위치를 반드시 중간 위치에 두십시오.**

실수로 전원 스위치가 작동하여 상해를 입을 수 있습니다.

전원 스위치 **4** 를 누르지 않은 상태에서는 드릴 스피들이 잠겨 있습니다. 이로 인해 드릴 척에 끼우는 비트를 손쉽게 빠리 간편하게 교환할 수 있습니다. 비트가 끼워질 수 있을 정도까지 키레스 척 **1** 을 **●** 방향으로 돌려 열고나서 비트를 끼우십시오.

76 | 한국어

키레스 척 **1**의 슬리브를 찰칵 소리가 들릴 때까지 손으로 힘을 가해 회전 방향 **②**로 돌려 잠그십시오. 이를 통해 드릴 척은 자동으로 잠깁니다. 비트를 빼기 위해 슬리브를 반대 방향으로 돌리면 잠금 상태가 다시 해제됩니다.

분진 및 톱밥 추출장치

- ▶ 납 성분을 포함한 페인트나 몇몇 나무 종류, 또는 광물 성분 그리고 철과 같은 재료의 분진은 건강을 해칠 수 있습니다. 이 분진을 만지거나 호흡할 경우, 사용자나 주변 사람들은 알레르기 반응이나 호흡기 장애를 일으킬 수 있습니다.
- 떡갈나무나 너도밤나무와 같은 특정한 분진은 암을 유발시키며, 특히 목재 처리용으로 사용되는 부가 원료 (크로마트, 목재 보호제)와 혼합되면 암을 유발시키게 됩니다. 석면 성분을 포함한 재료는 오직 전문가가 작업을 해야 합니다.
 - 작업장의 통풍이 잘 되도록 하십시오.
 - 필터등급 P2가 장착된 호흡 마스크를 사용하십시오.

작업용 재료에 관해 국가가 지정한 규정을 고려 하십시오.

- ▶ **작업장에 분진이 쌓이지 않도록 하십시오.** 분진이 쉽게 발화할 수 있습니다.

작동**기계 시동****회전방향 설정하기 (그림 C 참조)**

회전방향 선택 스위치 **2**로 기기의 회전 방향을 선택할 수 있습니다. 그러나 전원 스위치 **4**가 눌려진 상태에서는 작동이 불가능합니다.

정회전: 드릴작업이나 스크류작업을 하려면 회전방향 선택 스위치 **2**를 왼쪽으로 끝까지 밀니다.

역회전: 나사못이나 너트를 느슨하게 하거나 푸는 작업을 하려면, 회전방향 선택 스위치 **2**를 오른쪽 끝까지 밀니다.

전원 스위치 작동

전동공구를 **작동하려면** 전원 스위치 **4**를 누르고 누른 상태를 유지하십시오. 전원 스위치 **4**을 살짝 누르거나 완전히 누르면 램프 **6**가 켜지므로 조명 상태가 좋지 않은 곳에서도 작업이 가능합니다.

전동공구의 **스위치를 끄려면** 전원 스위치 **4** 를 놓으면 됩니다.
에너지를 절약하기 위해 전동공구를 사용할 경우에만 스위치를 켜십시오.

속도 조절

작동하고 있는 전동공구의 속도를 연속적으로 조절할 수 있는데, 전원 스위치 **4** 를 어느 정도 세게 누르는가에 달려 있습니다.

전원 스위치 **4** 를 살짝 누르면 저속으로 작동합니다. 세게 누르면 속도가 빨라집니다.

전자동 스펀틀 잠금장치 (Auto-Lock)

전원 스위치 **4** 를 누르지 않은 상태에서는 드릴 스펀틀과 톨 홀더가 잠겨 있습니다.

이로 인해 방전 상태의 배터리로 나사못을 조이는 것과 전동공구를 스크류 드라이버로 사용하는 것이 가능합니다.

잔여 회전 브레이크

전원 스위치 **4** 를 놓으면 드릴 척에 제동이 걸려 비트의 잔여 회전이 저지됩니다.

스크류작업을 할 때 나사못이 작업물 소재에 평면이 되도록 끼워진 다음에 전원 스위치 **4** 를 놓으십시오. 그렇게 하면 나사못 머리가 작업물 안으로 파고 들지 않습니다.

LED	용량
연속등 3 x 녹색	≥ 2/3
연속등 2 x 녹색	≥ 1/3
연속등 1 x 녹색	< 1/3
점멸등 1 x 녹색	예비

온도에 따른 과부하 방지 기능

규정에 맞게 사용할 때 전동공구의 과부하를 방지할 수 있습니다. 과도한 부하가 발생하거나 허용되는 배터리 온도를 초과한 경우, 전동공구가 다시 최적의 작동 온도 영역에 이를 때까지 전동공구 작동을 차단합니다.

사용방법

▶ **전동공구의 스위치가 꺼진 상태에서만 나사못에 대십시오.** 회전하는 드릴 비트가 미끄러질 수 있습니다.

낮은 속도로 장기간 연속 작업을 했을 경우, 기기를 약 3 분간 무부하 상태에서 최고 속도로 작동시킨 후 식히십시오.

78 | 한국어

금속에 드릴작업을 할 때 항상 하자가 없는 날카로운 HSS 드릴 비트 (HSS = 하이 스피드 스틸) 만을 사용하십시오. 보쉬 액세서리 프로그램은 이에 상응하는 품질을 보증합니다.

경질 작업 소재에 크고 긴 나사못을 끼우기 전에, 나사산의 중심 직경으로 나사못 길이의 약 $\frac{2}{3}$ 에 해당하는 초기 드릴작업을 하는 게 좋습니다.

보수 정비 및 서비스

보수 정비 및 유지

- ▶ **전동공구에 정비를 하거나 비트 등을 교환하기 전에, 혹은 기기를 운반하거나 보관할 때 회전방향 선택 스위치를 반드시 중간 위치에 두십시오.** 실수로 전원 스위치가 작동하여 상해를 입을 수 있습니다.
- ▶ **안전하고 올바른 작동을 위하여 전동공구와 전동공구의 통풍구를 항상 깨끗이 하십시오.**

배터리 기능에 문제가 있으면 보쉬 지정 전동공구 서비스 센터에 문의하십시오.

연결 코드를 교환해야 할 경우 안전을 기하기 위해 보쉬사나 보쉬 지정 전동공구 서비스 센터에 맡겨야 합니다.

보쉬 AS 및 고객 상담

보쉬는 귀하의 제품 및 수리에 관한 문의를 받고 있습니다.

AS 센터 정보 및 제품에 대한 고객 상담은 하기 고객 콜센터 및 이메일 상담을 이용해주시기 바랍니다.

고객 콜센터: 080-955-0909

이메일 상담:

Bosch-pt.hotline@kr.bosch.com

문의나 대체 부품 주문 시에는 반드시 제품 네임 플레이트에 있는 10 자리의 부품번호를 알려 주십시오.

Bosch Korea, RBKR
Mechanics and Electronics Ltd.
PT/SAX-ASA
298 Bojeong-dong Giheung-gu
Yongin-si, Gyeonggi-do, 446-913
Republic of Korea
080-955-0909

운반

포함되어 있는 리튬이온 배터리는 위험물 관련 규정을 따라야 합니다. 사용자가 별도의 요구사항 없이 배터리를 직접 도로 상에서 운반할 수 있습니다. 제 3 자를 통해 운반할 경우 (항공 운송이나 운송 회사 등) 포장과 표기에 관한 특별한 요구 사항을 준수해야 합니다. 이 경우 발송 준비를 위해 위험물 전문가와 상담해야 합니다.

처리



전동공구, 배터리, 액세서리 및 포장은 친환경적인 방법으로 재활용할 수 있도록 분류하십시오.

전동공구와 충전용 배터리 / 배터리를 가정용 쓰레기로 처리하지 마십시오!

충전용 배터리 / 배터리 :



Li-Ion:

“운반” 내용에 나와 있는 주의 사항을 준수하십시오 (79 페이지).

▶ 내장된 배터리는 폐기처리를 위해 전문가를 통해서만 분리할 수 있습니다.

하우징 커버를 열면서 전동공구가 파손될 수 있습니다.

전동공구에서 배터리를 빼려면 배터리가 완전히 방전될 때까지 전원 스위치를 작동하십시오. 하우징에 있는 나사들을 풀고 하우징 커버를 빼고 배터리를 꺼내십시오. 단락을 방지하기 위해 배터리의 연결 부위를 차례로 분리하고 이 극을 격리하십시오. 완전히 방전되었어도 배터리에 잔여 용량이 남아 있어 단락이 발생할 수 있기 때문입니다.

위 사항은 사전 예고 없이 변경될 수도 있습니다.

ภาษาไทย

กฎระเบียบเพื่อความปลอดภัย

คำเตือนทั่วไปเพื่อความปลอดภัยในการใช้เครื่องมือไฟฟ้า

! คำเตือน ต้องอ่านคำเตือนเพื่อความปลอดภัยและคำสั่งทั้งหมด การไม่ปฏิบัติตามคำเตือนและคำสั่งอาจเป็นสาเหตุให้ถูกไฟฟ้าช็อต เกิดไฟไหม้ และ/หรือได้รับบาดเจ็บอย่างร้ายแรง

เก็บรักษาคำเตือนและคำสั่งทั้งหมดสำหรับเปิดอ่านในภายหลัง

คำว่า "เครื่องมือไฟฟ้า" ในคำเตือนหมายถึง เครื่องมือไฟฟ้าของท่านที่ทำงาน ด้วยพลังงานไฟฟ้าที่ต่อจากเต้าเสียบ (มีสายไฟฟ้า) และเครื่องมือไฟฟ้าที่ทำงาน ด้วยพลังงานไฟฟ้าจากแบตเตอรี่ (ไร้สาย)

ความปลอดภัยในสถานที่ทำงาน

- ▶ รักษาสถานที่ทำงานให้สะอาดและมีไฟส่องสว่างดี สถานที่ที่มีมืดหรือรก รุงรังนำมาซึ่งอุบัติเหตุ
- ▶ อย่าใช้เครื่องมือไฟฟ้าในสภาพแวดล้อมที่เสี่ยงต่อการติดระเบิดได้ เช่น ในที่มีมีของเหลว แก๊ส หรือ ผุ่นที่ติดไฟได้ เมื่อใช้เครื่องมือไฟฟ้าจะเกิดประกายไฟซึ่งอาจจุดผุ่นหรือไอให้ลุกเป็นไฟได้
- ▶ ขณะใช้เครื่องมือไฟฟ้าทำงาน ต้องกันเด็กและผู้ยี่นดู ให้ออกห่าง การหันเหความสนใจอาจทำให้ท่านขาดการควบคุมเครื่องได้

ความปลอดภัยเกี่ยวกับไฟฟ้า

- ▶ ปลั๊กของเครื่องมือไฟฟ้าต้องมีขนาดพอดีกับเต้าเสียบ อย่าดัดแปลงหรือแก้ไข ตัวปลั๊กอย่างเด็ดขาด อย่าต่อปลั๊กต่อใดๆ เข้ากับเครื่องมือไฟฟ้าที่มีสายดิน ปลั๊กที่ไม่ตัดแปลงและเต้าเสียบที่เข้ากันช่วยลดความเสี่ยงจากการถูกไฟฟ้าช็อต
- ▶ หลีกเลี่ยงไม่ให้ร่างกายสัมผัสกับพื้นผิวของสิ่งของที่ต่อสายดินไว้ เช่น ท่อ เครื่องทำความร้อน เตา และตู้เย็น จะเสี่ยงอันตรายจากการถูกไฟฟ้าช็อตมากขึ้นหากกระแสไฟฟ้าวิ่งผ่านร่างกายของท่านลงดิน
- ▶ อย่าวางเครื่องมือไฟฟ้าตากฝนหรือทิ้งไว้ในที่ชื้นแฉะ หากน้ำเข้าใน เครื่องมือไฟฟ้า จะเพิ่มความเสี่ยงจากการถูกไฟฟ้าช็อต
- ▶ อย่าใช้สายไฟอย่างผิดๆ อย่าถือเครื่องมือไฟฟ้าที่สาย อย่าใช้สายชาน เครื่อง หรืออย่าดึงสายไฟฟ้าเพื่อถอดปลั๊กออกจากเต้าเสียบ กับสาย ไฟฟ้าออกห่างจากความร้อน น้ำมัน ขอบแหลมคม หรือส่วนของ

เครื่องที่กำลังเคลื่อนไหว สายไฟฟ้าที่ชำรุดหรือพันกันยุ่งเพิ่มความเสี่ยงจากการถูกไฟฟ้าดูด

- ▶ **เมื่อใช้เครื่องมือไฟฟ้าทำงานกลางแจ้ง ให้ใช้สายไฟต่อที่ได้รับการรับรองให้ใช้ต่อในที่กลางแจ้งเท่านั้น** การใช้สายไฟต่อที่เหมาะสมสำหรับงานกลางแจ้งช่วยลดอันตรายจากการถูกไฟฟ้าดูด
- ▶ **หากไม่สามารถหลีกเลี่ยงการใช้เครื่องมือไฟฟ้าทำงานในสถานที่เปียกชื้นได้ ให้ใช้สวิตช์ตัดวงจรเมื่อเกิดการรั่วไหลของไฟฟ้าจากสายดิน** การใช้สวิตช์ตัดวงจรเมื่อเกิดการรั่วไหลของไฟฟ้าจากสายดินช่วยลดความเสี่ยงต่อการถูกไฟฟ้าดูด

ความปลอดภัยของคุณ

- ▶ **ท่านต้องอยู่ในสภาพเตรียมพร้อม ระวังระวังในสิ่งที่กำลังทำอยู่ และมีสติขณะใช้เครื่องมือไฟฟ้าทำงาน** อย่าใช้เครื่องมือไฟฟ้าขณะที่ท่านกำลังเหนื่อย หรืออยู่ภายใต้การครอบงำของฤทธิ์ของยาเสพติด แอลกอฮอล์ และยา เมื่อใช้เครื่องมือไฟฟ้าทำงาน ในช่วงเวลาที่ท่านขาดความเอาใจใส่อาจทำให้บุคคลบาดเจ็บอย่างรุนแรงได้
- ▶ **ใช้อุปกรณ์ปกป้องร่างกาย สวมแว่นตาป้องกันเสมอ** อุปกรณ์ปกป้อง เช่น หน้ากากกันฝุ่น รองเท้ากันลื่น หมวกแข็ง หรือประคบหูกันเสียงดัง ที่เลือกใช้ตามความเหมาะสมกับสภาพการทำงาน สามารถลดอันตรายต่อบุคคลได้
- ▶ **ป้องกันการติดเครื่องโดยไม่ตั้งใจ** ต้องดูให้แน่ใจว่าสวิตช์อยู่ในตำแหน่งปิดก่อนเสียบปลั๊กไฟเข้าไปในเต้าเสียบ และ/หรือใส่แท่งเบรคเตอร์ ยักษ์ขึ้นหรือถือเครื่องมือ การถือเครื่องโดยใช้นิ้วหัวที่สวิตช์ หรือเสียบปลั๊กไฟในขณะที่สวิตช์เปิดอยู่ อาจนำไปสู่อันตรายที่ร้ายแรงได้
- ▶ **เอาเครื่องมือปรับแต่งหรือประแจปากตายออกจาก เครื่องมือไฟฟ้าก่อนเปิดสวิตช์** เครื่องมือหรือประแจปากตายที่วางอยู่กับส่วนของเครื่องที่กำลังหมุน จะทำให้บุคคลบาดเจ็บได้
- ▶ **หลีกเลี่ยงการตั้งท่าที่ผิดปกติ** ตั้งท่ายืนที่มั่นคงและวางน้ำหนักให้สมดุลตลอดเวลา ในลักษณะนี้ท่านสามารถควบคุมเครื่องมือไฟฟ้าในสถานการณ์ที่ไม่คาดคิดได้ดีกว่า
- ▶ **ใส่เสื้อผ้าที่เหมาะสม** อย่าใส่เสื้อผ้าหลวมหรือสวมเครื่องประดับ เอาหม เสื้อผ้า และถุงมือออกห่างส่วนของเครื่องที่กำลังหมุน เสื้อผ้าหลวม เครื่องประดับ และผมยาวอาจเข้าไปติดในส่วนของเครื่องที่กำลังหมุนได้
- ▶ **หากต้องต่อเครื่องมือไฟฟ้าเข้ากับเครื่องดูดฝุ่นหรือเครื่องเก็บผง** ดูให้แน่ใจว่าการเชื่อมต่อและการใช้งานเป็นไปอย่างถูกต้อง การใช้อุปกรณ์ดูดฝุ่นช่วยลดอันตรายที่เกิดจากฝุ่นได้

82 | ภาษาไทย

การใช้และการดูแลรักษาเครื่องมือไฟฟ้า

- ▶ **อย่าใช้เครื่องมือไฟฟ้าอย่างหักโหม ใช้เครื่องมือไฟฟ้าที่ถูกต้องตรงตามลักษณะงาน** เครื่องมือไฟฟ้าที่ถูกต้องจะทำงานได้ดีกว่าและปลอดภัยกว่าในระดับสมรรถภาพที่ออกแบบไว้
- ▶ **อย่าใช้เครื่องมือไฟฟ้าที่สวิตช์เปิดปิดเสีย** เครื่องมือไฟฟ้าที่ไม่สามารถควบคุมการเปิดปิดด้วยสวิตช์ได้ เป็นเครื่องมือไฟฟ้าที่ไม่ปลอดภัยและต้องส่งซ่อมแซม
- ▶ **ก่อนปรับแต่งเครื่อง เปลี่ยนอุปกรณ์ประกอบ หรือเก็บเครื่องเข้าที่ ต้องถอดปลั๊กไฟออกจากเต้าเสียบ**
- ▶ **หรือถอดแท่งแบตเตอรี่ออกจากเครื่องมือไฟฟ้า** มาตรการป้องกันเพื่อความปลอดภัยนี้ช่วยลดความเสี่ยงจากการติดเครื่องโดยไม่ตั้งใจ
- ▶ **เมื่อเลิกใช้งานเครื่องมือไฟฟ้า ให้เก็บเครื่องไว้ในที่ที่เด็กหยิบไม่ถึง และไม่อนุญาตให้บุคคลที่ไม่คุ้นเคยกับเครื่องหรือบุคคลที่ไม่ได้อ่านคำแนะนำนำผู้ใช้เครื่อง** เครื่องมือไฟฟ้าเป็นของอันตรายหากตกอยู่ในมือของผู้ใช้ที่ไม่ได้รับการฝึกฝน
- ▶ **เอาใจใส่ดูแลรักษาเครื่อง** ตรวจสอบหาส่วนที่เคลื่อนไหวได้ของเครื่องว่าวางอยู่ตรงแนวหรือติดขัดหรือไม่ ตรวจสอบการแตกหักของชิ้นส่วนและสภาพอื่นใดที่อาจมีผลต่อการทำงานของเครื่องมือไฟฟ้า หากชำรุดต้องส่งเครื่องมือไฟฟ้าซ่อมแซมก่อนใช้งาน อุบัติเหตุหลายอย่างเกิดขึ้นเนื่องจากดูแลรักษาเครื่องไม่ดีพอ
- ▶ **รักษาเครื่องมือตัด ให้คมและสะอาด** หากบำรุงรักษาเครื่องมือที่มีขอบตัดแหลมคมอย่างถูกต้อง จะสามารถตัดได้ลื่นไม่ติดขัดและควบคุมได้ง่ายกว่า
- ▶ **ใช้เครื่องมือไฟฟ้า อุปกรณ์ประกอบ เครื่องมือ และอุปกรณ์อื่นๆ ให้ตรงตามคำแนะนำนี้ และในลักษณะตามที่เครื่องมือไฟฟ้าประเภทนั้นๆ กำหนดไว้** โดยต้องคำนึงถึงเงื่อนไขการทำงานและงานที่จะทำด้วย การใช้เครื่องมือไฟฟ้าทำงานที่ต่างไปจากวัตถุประสงค์การใช้งานของเครื่อง อาจนำไปสู่สถานการณ์ที่เป็นอันตรายได้

การใช้และการดูแลรักษาเครื่องที่ใช้แบตเตอรี่

- ▶ **ชาร์จแบตเตอรี่ด้วยเครื่องชาร์จที่บริษัทผู้ผลิตระบุไว้เท่านั้น** เครื่องชาร์จที่เหมาะสมสำหรับชาร์จแบตเตอรี่ประเภทหนึ่ง หากนำไปชาร์จแบตเตอรี่ประเภทอื่น อาจเกิดไฟไหม้ได้
- ▶ **ใช้แบตเตอรี่เฉพาะประเภทที่เครื่องมือไฟฟ้ากำหนดให้ใช้ได้** การใช้แบตเตอรี่ประเภทอื่นเสี่ยงต่อการเกิดไฟไหม้หรือบาดเจ็บ
- ▶ **เมื่อไม่ใช้แบตเตอรี่ ให้เก็บแบตเตอรี่ไว้ห่างไกลหวัตุอื่น ๆ เช่น คลิปหนีบกระดาษ เหรียญ กุญแจ ตะปู สกรู หรือโลหะวัตถุขนาดเล็กอื่นๆ**

ที่สามารถต่อขั้วหนึ่งไปยังอีกขั้วหนึ่งได้ การลัดวงจรของขั้วแบตเตอรี่อาจทำให้เกิดการไหม้หรือฟลุ๊กได้

- ▶ เมื่อใช้แบตเตอรี่ลิเธียม อาจมีของเหลวไหลออกมาจากแบตเตอรี่ได้ ให้หลีกเลี่ยงการสัมผัสของเหลว หากสัมผัสโดยบังเอิญ ให้ใช้น้ำล้างหากของเหลวเข้าตาให้ขอความช่วยเหลือจากแพทย์ด้วย ของเหลวที่ไหลออกมาจากแบตเตอรี่อาจทำให้เกิดอาการคันหรือแสบผิวหนึ่งได้

การบริการ

- ▶ ส่งเครื่องมือไฟฟ้าให้ช่างผู้เชี่ยวชาญตรวจสอบและใช้อะไหล่เปลี่ยนของแท้เท่านั้น ในลักษณะนี้ท่านจะแน่ใจได้ว่าเครื่องมือไฟฟ้าอยู่ในสภาพที่ปลอดภัย

คำเตือนเพื่อความปลอดภัยสำหรับ ไขควง

- ▶ เมื่อทำงานในบริเวณที่สกรูอาจสัมผัสกับสายไฟฟ้าที่ซ่อนอยู่ ต้องจับเครื่องมือไฟฟ้าตรงตามจับที่หุ้มฉนวน หากสกรูสัมผัสกับสายที่มีกระแสไฟฟ้ไหลผ่านจะทำให้ส่วนที่เป็นโลหะของเครื่องมือไฟฟ้าเกิดมีกระแสไฟฟ้าด้วย และส่งผลให้ผู้ผู้ใช้เครื่องมือถูกไฟฟ้าดูดได้
- ▶ จับเครื่องมือไฟฟ้าให้แน่น ขณะขันสกรูเข้าและคลายออกอาจเกิดแรงบิดสะท้อนช่วงสั้นๆ อย่างรุนแรงได้
- ▶ ก่อนวางเครื่องลงบนพื้นทุกครั้งต้องรอให้เครื่องหยุดนิ่งอยู่กับที่เสมอ มิฉะนั้นเครื่องมือที่ใส่อยู่อาจติดขัดและนำไปสู่การสูญเสียการควบคุมเครื่องมือไฟฟ้า
- ▶ ก่อนปรับแต่งเครื่อง (ต. ย. เช่น การบำรุงรักษา การเปลี่ยนเครื่องมือ ฯลฯ) รวมทั้งเมื่อเคลื่อนย้ายและเก็บเข้าที่ ให้ตั้งสวิตช์ปรับทิศทางหมุนไว้ที่ตำแหน่งกลางเสมอ หากสวิตช์เปิด-ปิดถูกกดโดยไม่เจตนา อาจทำให้บุคคลบาดเจ็บได้



ปกป้องเครื่องมือไฟฟ้าจากความร้อน ต. ย. เช่น แสงแดดจัด

ต่อเนื่อง ไฟ น้ำ และความชื้น อัดรายจากการระเบิด

- ▶ ในกรณีที่แบตเตอรี่ชำรุดและใช้แบตเตอรี่อย่างไม่ถูกต้อง อาจมีไอระเหยออกมา ให้สูดอากาศบริสุทธิ์ และหาแพทย์ในกรณีเจ็บปวด ไอระเหยอาจทำให้ระบบหายใจระคายเคือง

คำเตือนเพื่อความปลอดภัยสำหรับเครื่องชาร์จแบตเตอรี่

- ▶ เครื่องชาร์จแบตเตอรี่นี้ไม่ได้ออกแบบมาเพื่อใช้ติดและบุคคลที่มีความบกพร่องทางกายภาพทางประสาทสัมผัส หรือทางจิต หรือขาด

ประสบการณ์และความรู้นำไปใช้งาน เด็กอายุตั้งแต่ 8 ปีขึ้นไปและบุคคลที่มีความบกพร่องทางกายภาพ ทางประสาทสัมผัส หรือทางจิต หรือขาดประสบการณ์และความรู้ สามารถใช้เครื่องชาร์จแบตเตอรี่นี้ได้ หากบุคคลที่รับผิดชอบต่อการความปลอดภัยของพวกเขาได้ควบคุมดูแลหรือให้คำแนะนำเกี่ยวกับการใช้เครื่องชาร์จแบตเตอรี่นี้อย่างปลอดภัย และอธิบายให้เข้าใจถึงอันตรายที่เกี่ยวข้อง มิฉะนั้นจะมีอันตรายจากความผิดพลาดในการปฏิบัติงานและได้รับบาดเจ็บ

- ▶ **ควบคุมดูแลเด็กๆ** เมื่อใช้งาน ทำความสะอาด และบำรุงรักษา ในลักษณะนี้จะมั่นใจได้ว่าเด็กๆ จะไม่เล่นเครื่องชาร์จ
- ▶ **ชาร์จเฉพาะแบตเตอรี่ลิเธียม ไอออน ของบ๊อทซ์** ที่มีความจุตั้งแต่ 1.5 แอมแปร์-ชั่วโมง (ตั้งแต่ 3 เซลล์แบตเตอรี่) แรงดันไฟฟ้าแบตเตอรี่ต้องตรงกับแรงดันไฟฟ้าชาร์จแบตเตอรี่ของเครื่องชาร์จ อย่าชาร์จแบตเตอรี่แบบใช้ครั้งเดียวที่ไม่สามารถชาร์จซ้ำได้ มิฉะนั้นอาจเสี่ยงต่อการระเบิดและไฟไหม้



หลีกเลี่ยงอย่าให้เครื่องชาร์จแบตเตอรี่ถูกฝนหรือความชื้น การซึมผ่านของน้ำเข้าในเครื่องชาร์จแบตเตอรี่เพิ่มความเสี่ยงต่อการถูกไฟฟ้าดูด

- ▶ **ชาร์จเครื่องมือไฟฟ้าด้วยเครื่องชาร์จแบตเตอรี่ที่จัดส่งมาให้เท่านั้น**
- ▶ **รักษาเครื่องชาร์จแบตเตอรี่ให้สะอาด** ความสกปรกอาจทำให้เกิดอันตรายจากไฟฟ้าดูดได้

- ▶ ตรวจสอบเครื่องชาร์จแบตเตอรี่ สายไฟฟ้า และปลั๊กไฟ ทุกครั้งก่อนใช้งาน
อย่าใช้เครื่องชาร์จแบตเตอรี่ที่ตรวจพบข้อบกพร่อง อย่าเปิดเครื่องชาร์จ
แบตเตอรี่เอง ต้องส่งเครื่องให้ช่างผู้เชี่ยวชาญซ่อมแซมและใช้อะไหล่ของแท้
เท่านั้น เครื่องชาร์จแบตเตอรี่ สายไฟฟ้า และปลั๊กไฟที่ชำรุด เพิ่มความเสี่ยง
ต่อการถูกไฟฟ้าดูด
- ▶ อย่าใช้เครื่องชาร์จแบตเตอรี่บนพื้นผิวที่ติดไฟง่าย (ต. ย. เช่น กระดาษ สิ่งทอ
และอื่นๆ) หรือในสภาพแวดล้อมที่ไวไฟ ความร้อนของเครื่องชาร์จแบตเตอรี่
ในกระบวนการชาร์จอาจเป็นเหตุให้เกิดอันตรายจากไฟไหม้ได้

รายละเอียดผลิตภัณฑ์และข้อมูลจำเพาะ



ต้องอ่านคำเตือนเพื่อความปลอดภัยและ
คำสั่งทั้งหมด การไม่ปฏิบัติตามคำเตือนและ
คำสั่งอาจเป็นสาเหตุให้ถูกไฟฟ้าดูด เกิด
ไฟไหม้ และ/หรือได้รับบาดเจ็บอย่างร้ายแรง

ประโยชน์การใช้งานของเครื่อง

เครื่องนี้ใช้สำหรับชั้นสกรูเข้าและคลายสกรูออก

ไฟส่องของเครื่องมือไฟฟ้านี้มีไว้เพื่อส่องสว่างพื้นที่ทำงานของเครื่องมือไฟฟ้าโดยตรง
และไม่เหมาะสำหรับใช้เพิ่มความสว่างภายในห้องในครัวเรือน

ส่วนประกอบผลิตภัณฑ์

ลำดับเลขของส่วนประกอบผลิตภัณฑ์อ้างอิงถึงส่วนประกอบของเครื่องที่แสดงในหน้าภาพประกอบ

- 1 หัวจับดอกชนิดจับเร็ว
- 2 สวิตช์เปลี่ยนทิศทางการหมุน
- 3 เต้าเสียบสำหรับปลั๊กชาร์จ
- 4 สวิตช์เปิด-ปิด
- 5 ไฟแสดงสถานะการชาร์จแบตเตอรี่
- 6 หลอดไฟ "PowerLight"
- 7 เครื่องชาร์จแบตเตอรี่
- 8 ปลั๊กชาร์จ
- 9 ตามจับ (พื้นผิวจับหุ้มฉนวน)

*อุปกรณ์ประกอบที่แสดงหรือระบุไม่รวมอยู่ในการจัดส่งมาตรฐาน กรุณาดูอุปกรณ์ประกอบ
ทั้งหมดในรายการแสดงอุปกรณ์ประกอบของเรา

86 | ภาษาไทย

ข้อมูลทางเทคนิค

ไขควงไร้สาย		LiKo
หมายเลขสินค้า		3 601 JF4 0..
แรงดันไฟฟ้ากำหนด	V=	10.8
ความเร็วรอบเดินตัวเปล่า	รอบ/นาที	0 - 700
แรงบิดสูงสุดสำหรับการขันสกรูแบบแข็ง/ แบบนุ่ม ตาม ISO 5393	Nm	6/15
Ø-สกรู สูงสุด	มม.	6
น้ำหนักตามระเบียบการ-EPTA-Procedure 01:2014	กก.	0.90
อุณหภูมิแวดล้อมที่อนุญาต		
- เมื่อชาร์จ	°C	0... +45
- เมื่อทำงาน* และเมื่อจัดเก็บ	°C	-20... +50
แบตเตอรี่		Li-ion
ความจุ	แอมแปร์ - ชั่วโมง	1.5
จำนวนเซลล์ในแบตเตอรี่		3
เครื่องชาร์จแบตเตอรี่		
หมายเลขสินค้า		1 600 A00 8.. 1 600 A00 9..
เวลาชาร์จ	ชั่วโมง	1
แรงดันไฟฟ้าออก	V=	15
กระแสไฟชาร์จ	แอมแปร์	1.5
ระดับความปลอดภัย		☐/II
* ผลการทำงานน้อยลงที่อุณหภูมิ <0 °C		

การประกอบ

- ▶ ก่อนปรับแต่งเครื่อง (ต. ย. เช่น การบำรุงรักษา การเปลี่ยนเครื่องมือ ฯลฯ) รวมทั้งเมื่อเคลื่อนย้ายและเก็บเข้าที่ ให้ตั้งสวิตช์ปรับทิศทางหมุนไว้ที่ตำแหน่งกลางเสมอ หากสวิตช์เปิด-ปิดถูกกดโดยไม่เจตนา อาจ ทำให้บุคคลบาดเจ็บได้

การชาร์จแบตเตอรี่ (ดูภาพประกอบ A)

- ▶ อย่างชาร์จแบตเตอรี่ประเภทอื่น เครื่องชาร์จแบตเตอรี่ที่จัดส่งได้รับการออกแบบสำหรับชาร์จแบตเตอรี่ลิเธียม-ไอออนในเครื่องของท่าน

- ▶ **ให้สังเกตแรงดันไฟฟ้า!** แรงดันไฟฟ้าจากแหล่งจ่ายไฟฟ้าต้องมีค่าตรงกับค่าแรงดันไฟฟ้าที่ระบุไว้บนแผ่นป้ายพิกัดเครื่องชาร์จแบตเตอรี่

หมายเหตุ:

แบตเตอรี่ที่จัดส่งได้รับการชาร์จไฟไว้บ้างแล้วเพื่อให้แบตเตอรี่ทำงานได้เต็มประสิทธิภาพ ต้องชาร์จแบตเตอรี่ในเครื่องชาร์จแบตเตอรี่ให้เต็มก่อนใช้งานเครื่องมือไฟฟ้าของท่านเป็นครั้งแรก

แบตเตอรี่ลิเธียม ไอออน สามารถชาร์จได้ทุกเวลาโดยอายุการใช้งานจะไม่ลดลง การชาร์จหวัระกระบวนการชาร์จไม่ทำให้แบตเตอรี่เสียหาย

"Electronic Cell Protection (ECP)" ป้องกันไม่ให้แบตเตอรี่ Li-ion จ่ายกระแสไฟฟ้ออกอีก เมื่อแบตเตอรี่หมดไฟ วงจรป้องกันจะดับสวิทช์เครื่องเครื่องมือที่ใส่อยู่จะไม่หมุนต่อ

- ▶ **หลังจากเครื่องดับสวิทช์โดยอัตโนมัติ อย่ากดสวิทช์เปิด-ปิดต่อ** แบตเตอรี่อาจเสียหายได้

กระบวนการชาร์จเริ่มต้นทันทีที่ท่านเสียบสายไฟหลักของเครื่องชาร์จแบตเตอรี่เข้าในเต้าเสียบ และเสียบปลั๊กชาร์จ **8** เข้าในพอร์ต **3** ที่อยู่ข้างใต้ตามจับ

ไฟแสดงสถานะการชาร์จแบตเตอรี่ **5** แสดงความคืบหน้าในการชาร์จในระหว่างกระบวนการชาร์จไฟแสดงสถานะจะ**กะพริบสีเขียว**ถ้าไฟแสดงสถานะการชาร์จแบตเตอรี่ **5** ส่องสว่าง**สีเขียวอย่างต่อเนื่อง** แสดงว่าแบตเตอรี่ถูกชาร์จเต็มแล้ว

ในระหว่างกระบวนการชาร์จ ตามจับของเครื่องจะอุ่นขึ้น นี่คือเรื่องปกติ

เมื่อไม่ใช่เครื่องชาร์จแบตเตอรี่เป็นเวลานาน ให้ปลดเครื่องออกจากแหล่งจ่ายไฟหลัก เครื่องมือไฟฟ้าไม่สามารถใช้งานได้ในระหว่างกระบวนการชาร์จ เครื่องมือไม่ได้เสียหายหากทำงานไม่ได้ในระหว่างกระบวนการชาร์จ

อ่านและปฏิบัติตามข้อสังเกตสำหรับการกำจัดขยะ

การเปลี่ยนเครื่องมือ (ดูภาพประกอบ B)

- ▶ **ก่อนปรับแต่งเครื่อง (ต. ย. เช่น การบำรุงรักษา การเปลี่ยนเครื่องมือ ฯลฯ) รวมทั้งเมื่อเคลื่อนย้ายและเก็บเข้าที่ ให้ตั้งสวิทช์ปรับทิศทางหมุนไว้ที่ตำแหน่งกลางเสมอ** หากสวิทช์เปิด-ปิดถูกกดโดยไม่เจตนา อาจทำให้บุคคลบาดเจ็บได้

เมื่อไม่กดสวิทช์เปิด-ปิด **4** แกนส่วนจะถูกล็อกไว้ โดยเหตุนี้จึงสามารถเปลี่ยนเครื่องมือในหัวจับตอกได้ง่าย เร็ว และสะดวก

เปิดหัวจับตอกชนิดจับเร็ว **1** โดยหมุนไปตามทิศ **1** จนเครื่องมือสามารถสอดเข้าไปใส่เครื่องมือเข้าไป

ใช้มือออกแรงหมุนปลดกหัวจับตอกชนิดจับเร็ว **1** ไปในทิศทางการหมุน **2** จนได้ยินเสียงคลิก ในลักษณะนี้หัวจับตอกจะถูกล็อกโดยอัตโนมัติ

88 | ภาษาไทย

เมื่อต้องการเอาเครื่องมือออกให้ปลดล็อคอีกครั้ง โดยหมุนปलอกไปในทิศทางตรงกันข้าม

การดูดฝุ่น/ขี้เลื่อย

▶ ฝุ่นที่ได้จากวัสดุ เช่น เคลือบผิวที่มีสารตะกั่ว ไม้บางประเภท แร่ธาตุ และโลหะ อาจเป็นอันตรายต่อสุขภาพ การสัมผัสหรือการหายใจเอาฝุ่นเข้าไปอาจทำให้เกิดปฏิกิริยาแพ้ฝุ่น และ/หรือนำมาซึ่งโรคติดเชื้อระบบหายใจแก่ผู้ใช้เครื่อง หรือผู้ที่ยืนอยู่ใกล้เคียงฝุ่นบางประเภท เช่น ฝุ่นไม้โอ๊ก หรือไม้บีช นับเป็นสารที่ทำให้เกิดมะเร็ง โดยเฉพาะอย่างยิ่งเมื่อผสมกับสารเติมแต่งเพื่อบำบัดไม้ (โครเมียมผลิตภัณฑ์รักษาเนื้อไม้) สำหรับวัสดุที่มีแอลเบสทอสตองให้ผู้เชี่ยวชาญทำงานเท่านั้น

- จัดสถานที่ทำงานให้มีการระบายอากาศที่ดี
- ขอแนะนำให้สวมหน้ากากป้องกันการติดเชื้อที่มีระดับ-ไส้กรอง P2

ปฏิบัติตามกฎข้อบังคับสำคัญอื่นๆ ที่เกี่ยวกับวัสดุชิ้นงาน ที่บังคับใช้ในประเทศของท่าน

▶ **ป้องกันการสะสมของฝุ่นในสถานที่ทำงาน** ฝุ่นสามารถถูกหิ้วได้อย่างง่ายดาย

การปฏิบัติงาน**เริ่มต้นปฏิบัติงาน****การกลับทิศทางการหมุน (ดูภาพประกอบ C)**

สวิตช์เปลี่ยนทิศทางการหมุน 2 ใช้สำหรับกลับทิศทางการหมุนของเครื่อง อย่างไรก็ตาม หากลกดสวิตช์เปิด-ปิด 4 อยู่ จะกลับทิศทางการหมุนไม่ได้

การหมุนทางขวา: สำหรับการเจาะและขันสลกรูเข้า ให้กลับสวิตช์เปลี่ยนทิศทาง การหมุน 2 ไปทางซ้ายจนสุด

การหมุนทางซ้าย: สำหรับการคลายและขันสลกรูและน็อตออก ให้กดสวิตช์เปลี่ยน ทิศทางการหมุน 2 ไปทางขวาจนสุด

การเปิด-ปิดเครื่อง

เปิดเครื่องทำงาน โดยกดสวิตช์เปิด-ปิด 4 และกดค้างไว้

หลอดไฟ 6 จะติดขึ้นเมื่อกดสวิตช์เปิด-ปิด 4 เข้าเพียงเล็กน้อยหรือกดจนมืด และ บริเวณทำงานจะส่องสว่างเมื่อตรงนั้นมีสภาพแสงที่ไม่ดี

ปิดเครื่องโดยปล่อยนิ้วจากสวิตช์เปิด-ปิด 4

เพื่อประหยัดพลังงาน เปิดสวิตช์เครื่องมือไฟฟ้าเฉพาะเมื่อใช้งานเท่านั้น

การปรับความเร็วรอบ

ความเร็วรอบของเครื่องมือไฟฟ้าที่เปิดทำงานสามารถปรับเปลี่ยนได้ตามแรงกดมากน้อยบนสวิตช์เปิด-ปิด 4

การกดสวิตช์เปิด-ปิด 4 เมาะจะได้ความเร็วรอบต่ำ การกดสวิตช์แรงยิ่งขึ้นจะได้ความเร็วรอบสูงขึ้น

ล็อกแกนด้วยระบบอัตโนมัติทั้งหมด (auto-lock)

เมื่อไม่กดสวิตช์เปิด-ปิด 4 แกนสว่านและหัวจับดอกจะถูกล็อก

ในลักษณะนี้ ท่านสามารถขันสกรูเข้าได้แม้แบตเตอรี่หมดไฟแล้ว และใช้เครื่องมือไฟฟ้าเป็นไขควงได้

เบรกกันการหมุนต่อ

เมื่อปล่อยนิ้วจากสวิตช์เปิด-ปิด 4 หัวจับดอกจะถูกเบรกให้หยุด จึงเป็นการยับยั้งไม่ให้เครื่องมือหมุนต่อได้

เมื่อขันสกรูเข้า ให้รอจนสกรูถูกขันราบเสมอกับแผ่นชิ้นงาน จากนั้นจึงปล่อยนิ้วจากสวิตช์เปิด-ปิด 4 ในลักษณะนี้ หัวสกรูจะไม่แทงทะลุเข้าไปในเนื้อวัสดุ

LED	ความจุ
ส่องสว่างต่อเนื่อง 3 x สีเขียว	≥ 2/3
ส่องสว่างต่อเนื่อง 2 x สีเขียว	≥ 1/3
ส่องสว่างต่อเนื่อง 1 x สีเขียว	< 1/3
ไฟกะพริบ 1 x สีเขียว	สำรอง

การป้องกันการใช้งานเกินกำลังโดยอาศัยอุณหภูมิ

เมื่อใช้งานเครื่องมือไฟฟ้าตรงตามวัตถุประสงค์ เครื่องจะไม่ทำงานเกินกำลัง หากเครื่องมือไฟฟ้าทำงานเกินกำลังหรือแบตเตอรี่แพ็คมีอุณหภูมิสูงกว่าที่อนุญาต ระบบควบคุมอิเล็กทรอนิกส์จะปิดสวิตช์เครื่องจนกว่าอุณหภูมิจะอยู่ในช่วงอุณหภูมิที่เหมาะสมอีกครั้ง

ข้อแนะนำในการทำงาน

▶ **จับเครื่องมือไฟฟ้าวางบนสกรูเมื่อเครื่องปิดอยู่เท่านั้น** เครื่องมือที่กำลังหมุนอยู่สามารถทำให้ลื่นไถลได้

หลังจากใช้เครื่องด้วยความเร็วต่ำเป็นเวลานาน ต้องทำให้เครื่องเย็นลงโดยปล่อยให้เครื่องเดินตัวเปล่าที่ความเร็วสูงสุดนานประมาณ 3 นาที

ให้ใช้เฉพาตอกสว่าน HSS (HSS = high-speed steel) ที่ล้มคมอย่างดีสำหรับเจาะโลหะ ตอกสว่านที่เป็นอุปกรณ์ประกอบของแท่งของ บ็อกซ์ รับประกันคุณภาพการเจาะ

90 | ภาษาไทย

ขอแนะนำให้เจาะรูมาก่อนชั้นสกรูขนาดใหญ่หรือยาวเข้าไปในชั้นงานที่เป็นวัสดุแข็งโดยจะลึกประมาณ $\frac{2}{3}$ ของความยาวสกรู

การบำรุงรักษาและการบริการ

การบำรุงรักษาและการทำความสะอาด

- ▶ ก่อนปรับแต่งเครื่อง (ต. ย. เช่น การบำรุงรักษา การเปลี่ยนเครื่องมือ ฯลฯ) รวมทั้งเมื่อเคลื่อนย้ายและเก็บเข้าที่ ให้ตั้งสวิตช์รับทิศทางหมุนไว้ที่ตำแหน่งกลางเสมอ หากสวิตช์เปิด-ปิดถูกกดโดยไม่เจตนา อาจทำให้บุคคลบาดเจ็บได้
- ▶ เพื่อให้ทำงานได้อย่างถูกต้องและปลอดภัย ต้องรักษาเครื่องและช่องระบายอากาศให้สะอาดอยู่เสมอ

หากแบตเตอรี่ใช้งานต่อไปอีกไม่ได้ กรุณาติดต่อศูนย์บริการหลังการขายสำหรับเครื่องมือไฟฟ้า บ็อช ที่ได้รับแต่งตั้ง

เมื่อจำเป็นต้องเปลี่ยนสายไฟฟ้า ให้ส่งเครื่องให้บริษัท บ็อชหรือศูนย์บริการลูกค้าสำหรับเครื่องมือไฟฟ้า บ็อช ที่ได้รับมอบหมายทำการเปลี่ยนให้ เพื่อหลีกเลี่ยงอันตรายด้านความปลอดภัย

การบริการหลังการขายและคำแนะนำการใช้งาน

ศูนย์บริการหลังการขายของเรายินดีตอบคำถามเกี่ยวกับการบำรุงรักษาและการซ่อมแซมผลิตภัณฑ์ของท่าน รวมทั้งชิ้นส่วนอะไหล่ ภาพแยกชิ้นประกอบและข้อมูลเกี่ยวกับชิ้นส่วนอะไหล่ยังสามารถดูได้ใน:

www.bosch-pt.com

ทีมงานให้คำแนะนำการใช้งานของ บ็อช

ยินดีตอบคำถามเกี่ยวกับผลิตภัณฑ์ของเราและ

อุปกรณ์ประกอบของผลิตภัณฑ์

เมื่อต้องการสอบถามและสั่งซื้ออะไหล่ กรุณาแจ้งหมายเลขสินค้า 10 หลักบนแผ่นป้าย

รุ่นของผลิตภัณฑ์ทุกครั้ง

ในกรณีประกัน ซ่อมแซม หรือซื้อชิ้นส่วนมาเปลี่ยน กรุณาติดต่อผู้ขายที่ได้รับแต่งตั้งเท่านั้น

ไทย

บริษัท โรเบิร์ต บ็อสช์ จำกัด
ชั้น 11 ดิกลีเบอร์ตี้ สแควร์
287 ถนนสีลม บางรัก
กรุงเทพฯ 10500

โทรศัพท์ 02 6393111
โทรสาร 02 2384783

บริษัท โรเบิร์ต บ็อสช์ จำกัด ตู ปรณ. 2054
กรุงเทพฯ 10501 ประเทศไทย
www.bosch.co.th

ศูนย์บริการซ่อมและฝึกอบรม บ็อสช์
อาคาร ลานชาลาทาวเวอร์ ชั้น G ห้องเลขที่ 2
บ้านเลขที่ 10/11 หมู่ 16
ถนนศรีนครินทร์
ตำบลบางแก้ว อำเภอบางพลี
จังหวัดสมุทรปราการ 10540
ประเทศไทย
โทรศัพท์ 02 7587555
โทรสาร 02 7587525

การขนส่ง

แบตเตอรี่ลิเธียม ไอออน ที่บรรจุอยู่ภายใต้ข้อกำหนดแห่งกฎหมายสินค้าอันตราย
ผู้ใช้สามารถขนส่งแบตเตอรี่โดยทางถนนโดยไม่มีข้อบังคับอื่นหากขนส่งโดยบุคคลที่ส
วม (เช่น: การขนส่งทางอากาศ หรือตัวแทนขนส่งสินค้า) ต้องปฏิบัติตาม
ข้อกำหนดพิเศษเกี่ยวกับการบรรจุภัณฑ์และการติดฉลาก ในการจัดเตรียม
สิ่งของที่จะจัดส่ง ต้องปรึกษาผู้เชี่ยวชาญสำหรับวัตถุนตราย

การกำจัดขยะ

เครื่อง แบตเตอรี่ที่นำกลับมาขายใหม่ได้ อุปกรณ์ประกอบ และหีบห่อ
ต้องนำไปแยกประเภทวัสดุ เพื่อนำกลับมาใช้ใหม่โดยไม่ทำลายสภาพแวดล้อม

อย่าทิ้งเครื่องมือไฟฟ้าและแบตเตอรี่/แบตเตอรี่ที่นำกลับมาขายใหม่ได้
ลงในขยะบ้าน!

92 | Bahasa Indonesia

แบตเตอรี่แพ็ค/แบตเตอรี่:**Li-ion:**

กรุณาปฏิบัติตามคำสั่งในบท "การขนส่ง" หน้า 91

- **แบตเตอรี่แพ็คที่ใส่รวมอยู่ในเครื่องจะต้องนำออกไปกำจัดโดยผู้เชี่ยวชาญเท่านั้น** การเปิดฝาคอครอบอาจทำให้เครื่องมือไฟฟ้าเสียหายได้

เมื่อต้องการถอดแบตเตอรี่แพ็คออกจากเครื่องมือไฟฟ้า ให้กดสวิตช์เปิด-ปิด 4 ค้างไว้จนกว่าแบตเตอรี่แพ็คจะปล่อยประจุออกไปทั้งหมดจนสกรูที่ยึดฝาคอครอบออกและถอดฝาคอครอบเพื่อนำแบตเตอรี่แพ็คออกมาเพื่อป้องกันกระแสไฟฟ้าลัดวงจร ให้ปลดการเชื่อมต่อที่แบตเตอรี่แพ็คที่ละเอียด แล้วจึงแยกขั้วแบตเตอรี่ออกจากกันถึงแม้ได้ทำการปล่อยประจุออกหมดแล้ว แต่ยังคงมีประจุไฟฟ้าตกค้างในแบตเตอรี่แพ็คอยู่ ซึ่งอาจถูกปล่อยออกมาในกรณีที่มีไฟฟ้าลัดวงจร

ขอสงวนสิทธิ์ในการเปลี่ยนแปลงโดยไม่ต้องแจ้งล่วงหน้า

Bahasa Indonesia

Petunjuk-Petunjuk untuk Keselamatan Kerja

Petunjuk-Petunjuk Umum untuk Perkakas Listrik

⚠ PERHATIKANLAH Bacalah semua petunjuk-petunjuk untuk keselamatan kerja dan petunjuk-petunjuk untuk penggunaan. Kesalahan dalam menjalankan petunjuk-petunjuk untuk keselamatan kerja dan petunjuk-petunjuk untuk penggunaan dapat mengakibatkan kontak listrik, kebakaran dan/atau luka-luka yang berat.

Simpanlah semua petunjuk-petunjuk untuk keselamatan kerja dan petunjuk-petunjuk lainnya untuk penggunaan di masa depan.

Kata „perkakas listrik” yang disebutkan di dalam petunjuk-petunjuk untuk keselamatan kerja adalah sebutan untuk perkakas listrik pakai listrik jaringan (dengan kabel) dan untuk perkakas listrik tenaga baterai (tanpa kabel listrik).

Keselamatan kerja di tempat kerja

- ▶ **Jagalah supaya tempat kerja selalu bersih dan terang.** Tempat kerja yang tidak rapi atau tidak terang dapat mengakibatkan terjadinya kecelakaan.
- ▶ **Janganlah menggunakan perkakas listrik di tempat di mana dapat terjadi ledakan, di mana ada cairan, gas atau debu yang mudah terbakar.** Perkakas listrik dapat memancarkan bunga api yang lalu mengakibatkan debu atau uap terbakar.
- ▶ **Selama menggunakan perkakas listrik, jauhkan anak-anak dan orang-orang lain dari tempat kerja.** Jika konsentrasi terganggu, bisa jadi Anda tidak bisa mengendalikan perkakas listrik tersebut.

Keamanan listrik

- ▶ **Steker dari perkakas listrik harus cocok pada stopkontak. Janganlah sekali-kali merubah steker. Janganlah menggunakan steker perantara bersama dengan perkakas listrik yang mempunyai hubungan arde.** Steker yang tidak dirubah dan stopkontak yang cocok mengurangi bahaya terjadinya kontak listrik.
- ▶ **Jagalah supaya badan Anda tidak bersentuhan dengan permukaan yang mempunyai hubungan arde, misalnya pipa-pipa, radiator pemanas ruangan, kompor listrik dan lemari es.** Ada risiko besar terjadi kontak listrik, jika badan Anda mempunyai hubungan arde.
- ▶ **Jagalah supaya perkakas listrik tidak kena hujan atau menjadi basah.** Air yang masuk ke dalam perkakas listrik menambah risiko terjadinya kontak listrik.
- ▶ **Janganlah menyalah gunakan kabel listrik untuk mengangkat dan menggantungkan perkakas listrik atau untuk menarik steker dari stopkontak. Jagalah supaya kabel listrik tidak kena panas, minyak, pinggirang yang tajam atau bagian-bagian perkakas yang bergerak.** Kabel listrik yang rusak atau tersangkut menambah risiko terjadinya kontak listrik.
- ▶ **Jika Anda menggunakan perkakas listrik di luar gedung, gunakanlah hanya kabel sambungan yang juga cocok untuk pemakaian di luar gedung.** Penggunaan kabel sambungan yang cocok untuk pemakaian di luar gedung mengurangi risiko terjadinya kontak listrik.
- ▶ **Jika penggunaan perkakas listrik di tempat yang basah tidak bisa dihindarkan, gunakanlah sakelar pengaman terhadap arus penyimpanan.** Penggunaan sakelar pengaman terhadap arus penyimpanan mengurangi risiko terjadinya kontak listrik.

Keselamatan kerja

- ▶ **Berhati-hatilah selalu, perhatikanlah apa yang Anda kerjakan dan bekerjalah dengan seksama jika menggunakan perkakas listrik. Janganlah mengguna-**

94 | Bahasa Indonesia

kan perkakas listrik, jika Anda capai atau berada di bawah pengaruh narkoba, minuman keras atau obat. Jika Anda sekejap mata saja tidak berhati-hati sewaktu menggunakan perkakas listrik, dapat terjadi luka-luka berat.

- ▶ **Pakailah pakaian dan sarana pelindung dan pakailah selalu kaca mata pelindung.** Dengan memakai pakaian dan sarana pelindung, misalnya kedok anti debu (masker), sepatu tertutup yang tidak licin, helm pelindung atau pemalut telinga sesuai dengan pekerjaan yang dilakukan dengan perkakas listrik, bahaya terjadinya luka-luka dapat dikurangi.
- ▶ **Jagalah supaya perkakas listrik tidak dihidupkan secara tidak disengaja. Perhatikan bahwa perkakas listrik dalam penyetelan mati, jika steker disambungkan pada pengadaan listrik dan/atau baterai, jika perkakas listrik diangkat atau dibawa.** Jika selama mengangkat perkakas listrik jari Anda berada pada tombol untuk menghidupkan dan mematikan atau perkakas listrik yang dalam penyetelan hidup disambungkan pada listrik, dapat terjadi kecelakaan.
- ▶ **Lepaskan semua perkakas-perkakas penyetelan atau kunci-kunci pas sebelum perkakas listrik dihidupkan.** Perkakas atau kunci yang berada di dalam bagian yang berputar dapat mengakibatkan terjadinya luka-luka.
- ▶ **Aturkan badan sedemikian sehingga Anda bisa bekerja dengan aman. Berdirilah secara mantap dan jagalah selalu keseimbangan.** Dengan demikian Anda bisa mengendalikan perkakas listrik dengan lebih baik, jika terjadi sesuatu dengan tiba-tiba.
- ▶ **Pakailah pakaian yang cocok. Janganlah memakai pakaian yang longgar atau perhiasan. Jagalah supaya rambut, pakaian dan sarung tangan tidak masuk dalam bagian-bagian perkakas yang bergerak.** Pakaian yang longgar, rambut panjang atau perhiasan dapat tersangkut dalam bagian perkakas yang bergerak.
- ▶ **Jika ada kemungkinan untuk memasang sarana penghisapan dan penampungan debu, perhatikan bahwa sarana-sarana ini telah dipasangkan dan digunakan dengan betul.** Penggunaan sarana penghisapan bisa mengurangi bahaya yang disebabkan debu.

Penggunaan dan penanganan perkakas listrik dengan seksama

- ▶ **Janganlah membebankan perkakas listrik terlalu berat. Gunakan selalu perkakas listrik yang cocok untuk pekerjaan yang dilakukan.** Dengan perkakas listrik yang cocok Anda bekerja lebih baik dan lebih aman dalam batas-batas kemampuan yang ditentukan.
- ▶ **Janganlah menggunakan perkakas listrik yang tombolnya rusak.** Perkakas listrik yang tidak bisa dihidupkan atau dimatikan, berbahaya dan harus direparasikan.

- ▶ **Tariklah steker dari stopkontak dan/atau keluarkan baterai, sebelum Anda melakukan penyetelan pada perkakas listrik, mengganti alat-alat kerja atau sebelum menyimpan perkakas listrik.** Tindakan keselamatan kerja ini mengurangi bahaya perkakas listrik hidup secara tidak disengaja.
- ▶ **Simpanlah perkakas listrik yang tidak digunakan di luar jangkauan anak-anak. Janganlah mengizinkan orang-orang yang tidak mengenal perkakas listrik ini atau yang belum membaca petunjuk-petunjuk ini, menggunakan perkakas listrik ini.** Perkakas listrik bisa menjadi berbahaya, jika digunakan oleh orang-orang yang tidak mengenalnya.
- ▶ **Rawatlah perkakas listrik dengan seksama. Periksalah, apakah bagian-bagian perkakas listrik yang bergerak berfungsi dengan baik dan tidak tersangkut, apakah ada bagian-bagian yang patah atau rusak sedemikian, sehingga dapat mempengaruhi jalannya perkakas listrik. Biarkan bagian-bagian perkakas yang rusak direparasikan, sebelum Anda mulai menggunakan perkakas listrik.** Banyak kecelakaan terjadi karena perkakas listrik tidak dirawat dengan seksama.
- ▶ **Perhatikan supaya alat-alat pemotong selalu tajam dan bersih.** Alat-alat pemotong dengan mata-mata pemotong yang tajam dan dirawat dengan seksama tidak mudah tersangkut dan lebih mudah dikendalikan.
- ▶ **Gunakanlah semua perkakas listrik, aksesoris, alat-alat kerja dsb. sesuai dengan petunjuk-petunjuk. Perhatikan syarat-syarat kerja dan macam pekerjaan yang dilakukan.** Penggunaan perkakas listrik untuk macam pekerjaan yang tidak cocok dengan kegunaannya bisa mengakibatkan keadaan yang berbahaya.

Penanganan dan penggunaan perkakas-perkakas pakai baterai dengan seksama

- ▶ **Isikan baterai hanya dalam alat-alat pencas baterai yang dianjurkan oleh pabrik.** Jika suatu alat pencas baterai yang cocok untuk mengisi satu macam baterai tertentu, digunakan untuk mengisi baterai-baterai lainnya, ada bahaya terjadinya kebakaran.
- ▶ **Gunakanlah hanya baterai-baterai yang cocok dan khusus untuk masing-masing perkakas listrik.** Penggunaan baterai-baterai lain dapat mengakibatkan terjadinya luka-luka dan kebakaran.
- ▶ **Jika baterai tidak digunakan, jauhkan baterai dari klip untuk kertas, uang logam, kunci, paku, sekrup atau benda-benda kecil dari logam lainnya, yang dapat menjembatani kontak-kontak.** Korsleting antara kontak-kontak baterai dapat mengakibatkan kebakaran atau api.
- ▶ **Jika baterai tidak digunakan dengan betul, dapat keluar cairan dari baterai. Jagalah supaya Anda tidak terkena pada cairan ini. Jika secara tidak**


96 | Bahasa Indonesia

disengaja Anda terkena pada cairan ini, cucikan dengan air. Jika cairan tersebut terkena pada mata, selain tindakan di atas, segera hubungi seorang dokter. Cairan yang keluar dari baterai dapat mengakibatkan gangguan pada kulit atau kebakaran.

Servis

- ▶ **Biarkan perkakas listrik Anda direparasikan hanya oleh orang-orang ahli yang berpengalaman dan hanya dengan menggunakan suku cadang yang asli.** Dengan demikian terjamin keselamatan kerja dengan perkakas listrik ini secara berkesinambungan.

Petunjuk-petunjuk untuk keselamatan kerja untuk obeng elektro

- ▶ **Peganglah perkakas listrik hanya pada pegangan yang terisolir, jika Anda melakukan pekerjaan di mana sekiranya bisa terkena pada saluran listrik yang tidak terlihat.** Sentuhan sekrup pada kabel yang bertegangan dapat mengakibatkan bagian-bagian logam dari perkakas listrik juga bertegangan dan lalu mengakibatkan kontak listrik.
 - ▶ **Peganglah perkakas listrik secara kencang.** Pada waktu memutar masuk dan memutar ke luar sekrup bisa terjadi momen yang besar untuk waktu yang singkat.
 - ▶ **Sebelum meletakkan perkakas listrik, tunggulah sampai perkakas berhenti memutar.** Alat kerja bisa tersangkut dan membuat perkakas listrik tidak bisa dikendalikan.
 - ▶ **Sebelum melakukan semua pekerjaan pada perkakas listrik (misalnya merawat, mengganti alat kerja dsb.) serta selama mentranspor dan menyimpan perkakas listrik, putarkan pengubah arah putaran ke kedudukan tengah.** Jika tombol untuk menghidupkan dan mematikan mesin digerakkan tanpa sengaja, bisa terjadi luka-luka.
-  **Lindungilah perkakas listrik terhadap suhu yang tinggi, misalnya juga terhadap penyinaran matahari yang berterusan, api, air dan kelembaban.** Ada bahaya terjadinya ledakan.
- ▶ **Jika baterai rusak dan jika baterai digunakan salah, baterai bisa mengeluarkan uap.** Biarkan udara segar mengalir masuk dan jika Anda merasa tidak enak badan, pergilah ke dokter. Uap tersebut bisa mengganggu saluran pernafasan.

Petunjuk-petunjuk untuk keselamatan kerja untuk alat pencas baterai

- ▶ **Charger ini tidak dimaksudkan untuk digunakan oleh anak-anak dan orang yang mempunyai keterbatasan fisik, sensorik atau mental atau kurang berpengalaman dan pengetahuan. Charger ini dapat digunakan oleh anak-anak di atas 8 tahun dan juga orang dengan keterbatasan fisik, sensorik atau mental atau kurang berpengalaman dan pengetahuan, selama di bawah pengawasan atau diberi pengarahan mengenai cara penggunaan charger yang aman dan mereka dapat mengerti tentang bahaya yang mungkin terjadi.** Jika tidak, dapat terjadi bahaya dari kesalahan pengoperasian dan cedera.
- ▶ **Awasi anak-anak Anda saat penggunaan, pembersihan dan pemeliharaan.** Pastikan bahwa anak-anak tidak bermain dengan charger.
- ▶ **Isi daya baterai Bosch Li-Ion mulai dengan kapasitas 1,5 Ah (mulai 3 sel baterai). Tegangan baterai harus sesuai dengan tegangan pengisian baterai dari charger. Jangan mengisi daya baterai yang bukan baterai isi ulang.** Jika tidak, dapat terjadi risiko kebakaran dan ledakan.



Jagalah supaya alat pencas baterai tidak kena hujan atau menjadi basah. Air yang masuk ke dalam alat pencas baterai membuat risiko terjadinya kontak listrik menjadi lebih besar.

- ▶ **Isi daya perkakas listrik hanya dengan pengisi daya yang tersedia.**

98 | Bahasa Indonesia

- ▶ **Jagalah supaya alat pencas baterai selalu bersih.** Pencemaran bisa mengakibatkan kontak listrik.
- ▶ **Selalu periksa charger, kabel, dan konektor sebelum digunakan. Jangan gunakan charger jika Anda melihat adanya kerusakan. Jangan membuka charger sendiri dan biarkan alat pengukur direparasi hanya oleh teknisi ahli dan hanya dengan menggunakan suku cadang yang asli.** Charger, kabel, dan konektor yang rusak dapat meningkatkan risiko terjadinya kejutan listrik.
- ▶ **Selama penggunaannya, janganlah meletakkan alat pencas baterai di alas yang mudah terbakar (misalnya kertas, bahan tekstil dsb.) atau di lingkungan yang mudah terbakar.** Alat pencas baterai menjadi panas selama pengisian yang bisa mengakibatkan terjadinya kebakaran.

Penjelasan tentang produk dan daya



Bacalah semua petunjuk-petunjuk untuk keselamatan kerja dan petunjuk-petunjuk untuk penggunaan.

Kesalahan dalam menjalankan petunjuk-petunjuk untuk keselamatan kerja dan petunjuk-petunjuk untuk penggunaan dapat mengakibatkan kontak listrik, kebakaran dan/atau luka-luka yang berat.

Penggunaan alat

Perkakas listrik ini cocok untuk memutar masuk dan memutar ke luar sekrup dan baut. Lampu pada perkakas listrik ini dimaksudkan untuk menerangi area pekerjaan perkakas listrik dan tidak sesuai untuk penerangan ruang dalam rumah.

Bagian-bagian pada gambar

Nomor-nomor dari bagian-bagian perkakas pada gambar sesuai dengan gambar perkakas listrik pada halaman bergambar.

- 1 Cekaman mata bor yang dikunci dan dibuka dengan tangan
- 2 Omsakelar arah putaran
- 3 Stopkontak untuk steker dari alat pencas baterai
- 4 Tombol untuk menghidupkan dan mematikan
- 5 Petanda keberisian baterai
- 6 Lampu „PowerLight“
- 7 Alat pencas baterai

- 8 Steker dari alat pencas baterai
- 9 Pegangan (genggaman terisolir)

*Aksesori yang ada pada gambar atau yang dijelaskan, tidak termasuk pasokan standar.
Semua aksesori yang ada bisa Anda lihat dalam program aksesori Bosch.

Data teknis

Obeng elektro pakai baterai		LiCo
Nomor model		3 601 JF4 0..
Tegangan nominal	V=	10,8
Kecepatan putaran tanpa beban	min ⁻¹	0 - 700
Momen putar maks. penyekrupan ketat/lunak menurut ISO 5393	Nm	6/15
Ø-sekrup maks.	mm	6
Berat sesuai dengan EPTA-Procedure 01:2014	kg	0,90
Suhu sekitar yang diizinkan		
- saat melakukan pengisian		
- selama pengoperasian dan selama penyimpanan	°C	0... +45
	°C	-20... +50
Baterai		ion Li
Kapasitas	Ah	1,5
Banyaknya sel baterai		3
Alat pencas baterai		
Nomor model		1 600 A00 8.. 1 600 A00 9..
Lama pengisian	h	1
Tegangan pengisian baterai	V=	15
Arus pengisian baterai	A	1,5
Klasifikasi keamanan		□/II
* daya dibatasi pada suhu < 0 °C		

Cara memasang

- ▶ **Sebelum melakukan semua pekerjaan pada perkakas listrik (misalnya merawat, mengganti alat kerja dsb.) serta selama mentranspor dan menyimpan perkakas listrik, putarkan pengubah arah putaran ke kedudukan**

100 | Bahasa Indonesia

tengah. Jika tombol untuk menghidupkan dan mematikan mesin digerakkan tanpa sengaja, bisa terjadi luka-luka.

Cara mengisi baterai (lihat gambar A)

- ▶ **Janganlah menggunakan alat pencas baterai yang lain.** Alat pencas baterai yang dipasok bersama perkakas dicocokkan pada baterai ion Li yang berada di dalam perkakas listrik Anda.
- ▶ **Perhatikanlah tegangan jaringan listrik!** Tegangan jaringan listrik harus sesuai dengan tegangan yang tercantum pada label tipe alat pencas baterai.

Petunjuk: Baterai dipasok dalam keadaan diisi sebagian. Untuk menjamin daya penuh dari baterai, sebelum penggunaannya untuk pertama kalinya, isikanlah baterai sampai penuh sama sekali di dalam alat pencas baterai.

Baterai ion-Li bisa diisi sewaktu-waktu, tanpa mengurangi daya tahannya. Baterai tidak menjadi rusak jika pengisiannya dihentikan untuk sementara waktu.

Baterai ion-Li dilindungi terhadap pengosongan sama sekali oleh „Electronic Cell Protection (ECP)“. Jika baterai kosong perkakas listrik dimatikan oleh pengaman: alat kerja berhenti memutar.

- ▶ **Lepaskan tekanan pada tombol untuk menghidupkan dan mematikan mesin, jika perkakas listrik mati secara otomatis.** Jika tombol ditekan terus, baterai bisa menjadi rusak.

Proses pengisian dimulai segera setelah steker jaringan charger dihubungkan ke stopkontak dan steker charger dihubungkan ke **8** soket **3** pada sisi bawah pegangan.

Indikator tingkat pengisian baterai **5** akan menampilkan progres pengisian. Pada proses pengisian, indikator akan **berkedip hijau**. Jika indikator tingkat pengisian baterai menyala **5 hijau tanpa kedip**, maka baterai telah terisi penuh.

Selama pengisian, gagang dari perkakas listrik menjadi panas. Ini hal yang lazim.

Jika alat pencas baterai tidak digunakan untuk waktu yang lama, putuskan sambungannya pada jaringan listrik.

Perkakas listrik tidak dapat digunakan selama pencasan; jadi perkakas listrik tidak rusak, jika selama pencasan perkakas listrik tidak berfungsi.

Perhatikanlah petunjuk-petunjuk untuk membuang.

Mengganti alat kerja (lihat gambar B)

- ▶ **Sebelum melakukan semua pekerjaan pada perkakas listrik (misalnya merawat, mengganti alat kerja dsb.) serta selama mentranspor dan menyimpan perkakas listrik, putarkan pengubah arah putaran ke kedudukan**

tengah. Jika tombol untuk menghidupkan dan mematikan mesin digerakkan tanpa sengaja, bisa terjadi luka-luka.

Jika tombol untuk menghidupkan dan mematikan mesin **4** tidak ditekan, poros mesin terkunci. Hal ini memungkinkan penggantian alat-alat kerja di cekaman mata bor secara cepat, nyaman dan mudah.

Bukankan cekaman mata bor yang dikunci dan dibuka dengan tangan **1** dengan cara memutarannya dalam arah **⚙**, sampai alat kerja bisa dipasang. Masukkan alat kerja.

Putarlah tempurung kepala bor dengan kuat menggunakan tangan **1** sesuai arah putaran **⚙** untuk menutup, hingga terdengar bunyi klik. Dengan demikian, kepala bor akan terkunci secara otomatis.

Penguncian terbuka lagi, jika untuk mengeluarkan alat kerja Anda memutarakan selubung dalam arah yang berlawanan.

Penghisapan debu/serbuk

- ▶ Debu dari bahan-bahan seperti misalnya cat yang mengandung timbel (timah hitam), beberapa jenis kayu, bahan mineral dan logam bisa berbahaya bagi kesehatan. Menyentuh atau menghirup debu-debu ini bisa mengakibatkan reaksi alergi dan/atau penyakit saluran pernafasan dari orang yang menggunakan mesin atau orang yang berada di dekatnya. Beberapa debu tertentu seperti misalnya debu kayu pohon quercus atau pohon fagus silvatica dianggap bisa mengakibatkan penyakit kanker, terutama dalam campuran dengan bahan-bahan tambahan untuk pengolahan kayu (kromat, obat pengawet kayu). Bahan-bahan yang mengandung asbes hanya boleh dikerjakan oleh orang-orang yang ahli.
 - Perhatikanlah supaya ada pertukaran udara di tempat kerja.
 - Kami anjurkan supaya Anda memakai kedok anti debu dengan saringan (filter) kelas P2.

Taatilah peraturan-peraturan untuk bahan-bahan yang dikerjakan yang berlaku di negara Anda.

- ▶ **Hindarkan debu yang banyak terkumpul di tempat kerja.** Debu dapat menyulut dengan mudahnya.

Penggunaan

Cara penggunaan

Menyetel arah putaran (lihat gambar C)

Dengan omsakelar arah putaran **2** Anda bisa merubah arah putaran dari perkakas listrik. Akan tetapi ini tidak mungkin jika tombol untuk menghidupkan dan mematikan mesin **4** sedang ditekan.

Arah putaran ke kanan: untuk membor dan memutar masuk sekrup, tekan omsakelar arah putaran **2** ke kiri sampai batas.

Arah putaran ke kiri: untuk melepaskan atau memutar ke luar sekrup dan mur, tekan omsakelar arah putaran **2** ke kanan sampai batas.

Menghidupkan/mematikan

Untuk **menghidupkan**, tekan tombol untuk menghidupkan dan mematikan **4** dan tahan tekanan.

Lampu **6** menyala jika tombol untuk menghidupkan dan mematikan **4** ditekan ringan atau ditekan sampai batas dan berguna untuk menerangi bidang kerja yang tidak terang jika ruangan gelap.

Untuk **mematikan** perkakas listrik, lepaskan tombol untuk menghidupkan dan mematikan **4**.

Untuk menghemat energi, hidupkan perkakas listrik hanya jika Anda menggunakannya.

Menyetel kecepatan putaran

Anda bisa menyetel kecepatan putaran tanpa tingkatan pada perkakas listrik yang hidup, tergantung dari tekanan pada tombol untuk menghidupkan dan mematikan mesin **4**.

Tekanan ringan pada tombol **4** mengakibatkan kecepatan putaran yang rendah. Tekanan yang lebih besar mengakibatkan kecepatan putaran yang lebih tinggi.

Penguncian poros otomatis (Auto-Lock)

Jika tombol untuk menghidupkan dan mematikan mesin **4** tidak ditekan, poros mesin dan dengan demikian pemegang alat kerja terkunci.

Dengan demikian bisa diputar masuk sekrup jika aki kosong atau perkakas listrik bisa digunakan sebagai obeng.

Rem otomatis setelah dipadamkan

Jika tekanan pada tombol untuk menghidupkan dan mematikan mesin **4** dilepaskan, cekaman mata bor direm otomatis dan dengan demikian alat kerja berhenti memutar.

Pada pekerjaan menyekrup, tombol untuk menghidupkan dan mematikan mesin **4** baru dilepaskan, jika permukaan kepala sekrup sama rata dengan permukaan bahan. Dengan demikian kepala sekrup tidak masuk ke dalam bahan.

LED	Kapasitas
Lampu menetap 3 x hijau	$\geq 2/3$
Lampu menetap 2 x hijau	$\geq 1/3$
Lampu menetap 1 x hijau	$< 1/3$
Lampu berkedip-kedip 1 x hijau	cadangan

Perlindungan terhadap pembebanan yang terlalu berat yang tergantung suhu

Pada penggunaan yang normal perkakas listrik tidak akan kelebihan beban. Alat elektronik akan mematikan perkakas listrik apabila mendapatkan beban berlebih atau suhu baterai yang terlalu tinggi dari biasanya, sehingga alat kembali dalam rentang suhu pengoperasian yang optimal.

Petunjuk-petunjuk untuk pemakaian

- ▶ **Pasangkan perkakas listrik pada sekrup hanya jika perkakas listrik dalam keadaan mati.** Alat kerja-alat kerja yang berputar bisa meleset.

Setelah perkakas listrik digunakan untuk waktu yang lama dengan kecepatan putaran yang rendah, perkakas listrik didinginkan dengan cara membiarkan perkakas listrik berputar tanpa beban pada kecepatan putaran maksimum kira-kira selama 3 menit.

Untuk pemboran dalam logam, gunakanlah hanya mata bor HSS (HSS = High Speed Steel, baja cepat) yang mulus dan telah diasah. Mutu ini dipenuhi oleh program aksesoris dari Bosch.

Sebelum memutar masuk sekrup yang besar dan panjang ke dalam bahan yang keras, buatlah dahulu lubang bor dengan diameter inti dari ulir dengan panjang kira-kira $\frac{2}{3}$ dari panjang sekrup.

Rawatan dan servis

Rawatan dan kebersihan

- ▶ **Sebelum melakukan semua pekerjaan pada perkakas listrik (misalnya merawat, mengganti alat kerja dsb.) serta selama mentranspor dan menyimpan perkakas listrik, putarkan pengubah arah putaran ke kedudukan tengah.** Jika tombol untuk menghidupkan dan mematikan mesin digerakkan tanpa sengaja, bisa terjadi luka-luka.

104 | Bahasa Indonesia**► Perkakas listrik dan lubang ventilasi harus selalu dibersihkan supaya perkakas bisa digunakan dengan baik dan aman.**

Jika baterai tidak berfungsi lagi, hubungilah satu Service Center untuk perkakas listrik Bosch yang resmi.

Jika kabel listrik harus digantikan, pekerjaan ini harus dilakukan oleh Bosch atau Service Center untuk perkakas listrik Bosch yang resmi, supaya keselamatan kerja selalu terjamin.

Layanan pasca beli dan konseling terkait pengoperasian

Layanan pasca beli Bosch menjawab semua pertanyaan Anda terkait reparasi dan maintenance serta suku cadang produk ini. Gambar tiga dimensi dan informasi terkait suku cadang dapat Anda lihat di:

www.bosch-pt.com

Tim konseling pengoperasian dari Bosch dengan senang hati membantu Anda, jika Anda hendak bertanya tentang produk-produk kami dan aksesorisnya.

Jika Anda hendak menanyakan sesuatu atau memesan suku cadang, sebutkan selalu nomor model yang terdiri dari 10 angka dan tercantum pada label tipe produk.

Indonesia

PT Robert Bosch
Palma Tower 10th Floor
Jl. RA Kartini II-S Kaveling 6 Sek II
Pondok Pinang, Kebayoran Lama
Jakarta Selatan 12310
Indonesia
Tel.: (021) 3005 5800
Fax: (021) 3005 5801
E-Mail: boschpowertools@id.bosch.com
www.bosch-pt.co.id

Transpor

Pada baterai-baterai ion-Li yang digunakan diterapkan persyaratan terkait peraturan-peraturan tentang bahan-bahan yang berbahaya. Baterai-baterai dapat diangkut oleh penggunanya di jalanan tanpa harus memenuhi syarat-syarat tertentu.

Pada pengiriman oleh pihak ketiga (misalnya transportasi dengan pesawat udara atau perusahaan ekspedisi) harus ditaati syarat-syarat terkait kemasan dan pemberian tanda. Dalam hal ini, untuk mempersiapkan transportasi harus diminta dukungan seorang ahli bahan-bahan berbahaya.

Cara membuang



Semua perkakas listrik, baterai, aksesoris dan kemasan sebaiknya didaur ulang sesuai dengan upaya melindungi lingkungan hidup.

Janganlah membuang perkakas listrik, baterai isi ulang/baterai ke dalam sampah rumah tangga!

Baterai isi ulang/Baterai:



Ion-Li:

Perhatikanlah petunjuk-petunjuk dalam bab „Transport“, halaman 104.

- **Baterai terpadu hanya boleh dibuang oleh ahli teknisi.** Perkakas listrik dapat rusak apabila housing dibuka.

Untuk melepas baterai dari perkakas listrik, tekan tombol On/Off 4 hingga baterai terlepas. Buka sekrup pada housing dengan cara diputar dan lepaskan housing untuk mengeluarkan baterai. Untuk mencegah korsleting, pisahkan konektor pada baterai satu sama lain dan pisahkan kutub-kutubnya. Pada saat mengeluarkan baterai, akan masih terdapat kapasitas sisa dalam baterai yang dapat menyebabkan korsleting.

Perubahan dapat terjadi tanpa pemberitahuan sebelumnya.

Tiếng Việt

Các Nguyên Tắc An Toàn

Cảnh báo tổng quát cách sử dụng an toàn dụng cụ điện cầm tay

! **CẢNH BÁO** **Đọc kỹ mọi cảnh báo an toàn và hướng dẫn.** Không tuân thủ mọi cảnh báo và hướng dẫn được liệt kê dưới đây có thể bị điện giật, gây cháy và/hay bị thương tật nghiêm trọng.

Hãy giữ tất cả tài liệu về cảnh báo và hướng dẫn để tham khảo về sau.

106 | Tiếng Việt

Thuật ngữ “dụng cụ điện cầm tay” trong phần cảnh báo là để cập đến sự sử dụng dụng cụ điện cầm tay của bạn, loại sử dụng điện nguồn (có dây cắm điện) hay vận hành bằng pin (không dây cắm điện).

Khu vực làm việc an toàn

- ▶ **Giữ nơi làm việc sạch và đủ ánh sáng.** Nơi làm việc bừa bộn và tối tăm dễ gây ra tai nạn.
- ▶ **Không vận hành dụng cụ điện cầm tay trong môi trường dễ gây nổ, chẳng hạn như nơi có chất lỏng dễ cháy, khí đốt hay rác.** Dụng cụ điện cầm tay tạo ra các tia lửa nên có thể làm rác bén cháy hay bốc khói.
- ▶ **Không để trẻ em hay người đến xem đứng gần khi vận hành dụng cụ điện cầm tay.** Sự phân tâm có thể gây ra sự mất điều khiển.

An toàn về điện

- ▶ **Phích cắm của dụng cụ điện cầm tay phải thích hợp với ổ cắm.** Không bao giờ được cải biến lại phích cắm dưới mọi hình thức. Không được sử dụng phích tiếp hợp nối tiếp đất (dây mát). Phích cắm nguyên bản và ổ cắm đúng loại sẽ làm giảm nguy cơ bị điện giật.
- ▶ **Tránh không để thân thể tiếp xúc với đất hay các vật có bề mặt tiếp đất như đường ống, lò sưởi, hàng rào và tủ lạnh.** Có nhiều nguy cơ bị điện giật hơn nếu cơ thể bạn bị tiếp hay nối đất.
- ▶ **Không được để dụng cụ điện cầm tay ngoài mưa hay ở tình trạng ẩm ướt.** Nước vào máy sẽ làm tăng nguy cơ bị điện giật.
- ▶ **Không được lạm dụng dây dẫn điện.** Không bao giờ được nắm dây dẫn để xách, kéo hay rút phích cắm dụng cụ điện cầm tay. Không để dây gần nơi có nhiệt độ cao, dầu nhớt, vật nhọn bén hay bộ phận chuyển động. Làm hỏng hay cuộn rối dây dẫn làm tăng nguy cơ bị điện giật.
- ▶ **Khi sử dụng dụng cụ điện cầm tay ngoài trời, dùng dây nối thích hợp cho việc sử dụng ngoài trời.** Sử dụng dây nối thích hợp cho việc sử dụng ngoài trời làm giảm nguy cơ bị điện giật.
- ▶ **Nếu việc sử dụng dụng cụ điện cầm tay ở nơi ẩm ướt là không thể tránh được, dùng thiết bị ngắt mạch tự động (RCD) bảo vệ nguồn.** Sử dụng thiết bị ngắt mạch tự động RCD làm giảm nguy cơ bị điện giật.

An toàn cá nhân

- ▶ **Hãy tỉnh táo, biết rõ mình đang làm gì và hãy sử dụng ý thức khi vận hành dụng cụ điện cầm tay. Không sử dụng dụng cụ điện cầm tay khi đang mệt mỏi hay đang bị tác động do chất gây nghiện, rượu hay dược phẩm gây ra.** Một thoáng mất tập trung khi đang vận hành dụng cụ điện cầm tay có thể gây thương tích nghiêm trọng cho bản thân.
- ▶ **Sử dụng trang bị bảo hộ cá nhân. Luôn luôn đeo kính bảo vệ mắt.** Trang bị bảo hộ như khẩu trang, giày chống trượt, nón bảo hộ, hay dụng cụ bảo vệ tai khi được sử dụng đúng nơi đúng chỗ sẽ làm giảm nguy cơ thương tật cho bản thân.
- ▶ **Phòng tránh máy khởi động bất ngờ. Bảo đảm công tắc máy ở vị trí tắt trước khi cắm vào nguồn điện và/hay lắp pin vào, khi nhắc máy lên hay khi mang xách máy.** Ngáng ngón tay vào công tắc máy để xách hay kích hoạt dụng cụ điện cầm tay khi công tắc ở vị trí mở dễ dẫn đến tai nạn.
- ▶ **Lấy mọi chia hay khóa điều chỉnh ra trước khi mở điện dụng cụ điện cầm tay.** Khóa hay chia còn gắn dính vào bộ phận quay của dụng cụ điện cầm tay có thể gây thương tích cho bản thân.
- ▶ **Không rướn người. Luôn luôn giữ tư thế đứng thích hợp và thăng bằng.** Điều này tạo cho việc điều khiển dụng cụ điện cầm tay tốt hơn trong mọi tình huống bất ngờ.
- ▶ **Trang phục thích hợp. Không mặc quần áo rộng lủng thùng hay mang trang sức. Giữ tóc, quần áo và găng tay xa khỏi các bộ phận chuyển động.** Quần áo rộng lủng thùng, đồ trang sức hay tóc dài có thể bị cuốn vào các bộ phận chuyển động.
- ▶ **Nếu có các thiết bị đi kèm để nối máy hút bụi và các phụ kiện khác, bảo đảm các thiết bị này được nối và sử dụng tốt.** Việc sử dụng các thiết bị gom hút bụi có thể làm giảm các độc hại liên quan đến bụi gây ra.

Sử dụng và bảo dưỡng dụng cụ điện cầm tay

- ▶ **Không được ép máy. Sử dụng dụng cụ điện cầm tay đúng loại theo đúng ứng dụng của bạn.** Dụng cụ điện cầm tay đúng chức năng sẽ làm việc tốt và an toàn hơn theo đúng tiến độ mà máy được thiết kế.

108 | Tiếng Việt

- ▶ **Không sử dụng dụng cụ điện cầm tay nếu như công tắc không tắt và mở được.** Bất kỳ dụng cụ điện cầm tay nào mà không thể điều khiển được bằng công tắc là nguy hiểm và phải được sửa chữa.
- ▶ **Rút phích cắm ra khỏi nguồn điện và/hay pin ra khỏi dụng cụ điện cầm tay trước khi tiến hành bất kỳ điều chỉnh nào, thay phụ kiện, hay cất dụng cụ điện cầm tay.** Các biện pháp ngăn ngừa như vậy làm giảm nguy cơ dụng cụ điện cầm tay khởi động bất ngờ.
- ▶ **Cất giữ dụng cụ điện cầm tay không dùng tới nơi trẻ em không lấy được và không cho người chưa từng biết dụng cụ điện cầm tay hay các hướng dẫn này sử dụng dụng cụ điện cầm tay.** Dụng cụ điện cầm tay nguy hiểm khi ở trong tay người chưa được chỉ cách sử dụng.
- ▶ **Bảo quản dụng cụ điện cầm tay.** Kiểm tra xem các bộ phận chuyển động có bị sai lệch hay kẹt, các bộ phận bị rạn nứt và các tình trạng khác có thể ảnh hưởng đến sự vận hành của máy. Nếu bị hư hỏng, phải sửa chữa máy trước khi sử dụng. Nhiều tai nạn xảy ra do bảo quản dụng cụ điện cầm tay tối.
- ▶ **Giữ các dụng cụ cất bện và sạch.** Bảo quản đúng cách các dụng cụ cất có cạnh cất bện làm giảm khả năng bị kẹt và dễ điều khiển hơn.
- ▶ **Sử dụng dụng cụ điện cầm tay, phụ kiện, đầu cài v. v., đúng theo các chỉ dẫn này, hãy lưu ý đến điều kiện làm việc và công việc phải thực hiện.** Sử dụng dụng cụ điện cầm tay khác với mục đích thiết kế có thể tạo nên tình huống nguy hiểm.

Sử dụng và bảo quản dụng cụ dùng pin

- ▶ **Chỉ được sạc pin lại với bộ nạp điện do nhà sản xuất chỉ định.** Bộ nạp điện thích hợp cho một loại pin có thể gây nguy cơ cháy khi sử dụng cho một loại pin khác.
- ▶ **Chỉ sử dụng dụng cụ điện cầm tay với loại pin được thiết kế đặt biệt dành riêng cho máy.** Sử dụng bất cứ loại pin khác có thể dẫn đến thương tật hay cháy.
- ▶ **Khi không sử dụng pin, để cách xa các vật bằng kim loại như kẹp giấy, tiền xu, chìa khoá, đinh, ốc vít hay các đồ vật kim loại nhỏ khác, thứ có thể tạo sự nối tiếp từ một đầu cực với một đầu cực khác.** Sự chập mạch của các đầu cực với nhau có thể gây bóng hay cháy.

- ▶ **Bảo quản ở tình trạng tối, dung dịch từ pin có thể tủa ra; tránh tiếp xúc. Nếu vô tình chạm phải, hãy xối nước để rửa. Nếu dung dịch vào mắt, cần thêm sự hỗ trợ của y tế.** Dung dịch tiết ra từ pin có thể gây ngứa hay bỏng.

Bảo dưỡng

- ▶ **Đưa dụng cụ điện cầm tay của bạn đến thợ chuyên môn để bảo dưỡng, chỉ sử dụng phụ tùng đúng chủng loại để thay.** Điều này sẽ đảm bảo sự an toàn của máy được giữ nguyên.

Cảnh Báo An Toàn cho Máy Bắt Vít

- ▶ **Nắm giữ dụng cụ điện nơi phần nắm cách điện khi thực hiện việc gia công nơi chi tiết lắp bắt có thể chạm vào dây điện không nhìn thấy được hay chính dây của máy.** Chi tiết lắp bắt chạm dây "có điện" có thể làm cho các bộ phận kim loại không được bao bọc của dụng cụ điện "có điện" và có khả năng gây cho người sử dụng máy bị điện giật.
- ▶ **Giữ máy bằng cách nắm thật chặt.** Lực vận ngược mạnh có thể xảy ra chớp nhoáng trong lúc bắt vít vào hay vặn ra.
- ▶ **Luôn luôn đợi cho máy hoàn toàn ngừng hẳn trước khi đặt xuống.** Dụng cụ lắp vào máy có thể bị kẹt chặt dẫn đến việc dụng cụ điện cầm tay bị mất điều khiển.
- ▶ **Trước khi làm bất cứ công việc gì với máy (vd. bảo dưỡng, thay dụng cụ v. v..) cũng như trong quá trình vận chuyển và cất giữ, chính đặt gác chọn chiều quay về vị trí chính giữa.** Sự vô ý kích hoạt công tắc Tắt/Mở có thể dẫn đến thương tích.



Bảo vệ dụng cụ điện chống lại nhiệt, chẳng hạn như ngăn không để ánh sáng mặt trời gay gắt, lửa, nước, và sự ẩm ướt. Sự nguy hiểm do sự nổ gây ra.

- ▶ **Trong trường hợp pin bị hỏng hay sử dụng sai cách, hơi nước có thể bốc ra. Hãy làm cho thông thoáng khí và trong trường hợp bị đau phải nhờ y tế chữa trị.** Hơi nước có thể gây ngứa hệ hô hấp.

Cảnh Báo An Toàn cho bộ nạp điện pin

- ▶ **Máy nạp pin này không thiết kế dành cho đối tượng sử dụng là trẻ em và người bị**

110 | Tiếng Việt

hạn chế về thể chất, khả năng giác quan kém hoặc tâm thần hoặc thiếu kinh nghiệm và thiếu hiểu biết. Máy nạp pin này có thể dành cho trẻ em từ 8 tuổi trở lên và người bị hạn chế về thể chất, khả năng giác quan kém hoặc tâm thần hoặc thiếu kinh nghiệm và thiếu hiểu biết sử dụng, chỉ khi họ được một người chịu trách nhiệm cho sự an toàn của họ giám sát hoặc đã được người này hướng dẫn sử dụng máy nạp pin trong môi trường an toàn và hiểu được những nguy hiểm có liên quan. Nếu không sẽ có nguy cơ sai sót khi vận hành và gây thương tích.

- ▶ **Hãy giám sát trẻ nhỏ khi sử dụng, làm sạch và bảo dưỡng.** Để đảm bảo rằng, trẻ em không chơi với máy nạp pin này.
- ▶ **Bạn chỉ nạp pin Li-Ion của Bosch từ công suất 1.5 Ah (từ 3 cell pin). Điện áp của pin phải phù hợp với điện áp nạp pin của máy nạp pin. Không nạp pin không thể sạc lại. Nếu không có thể gây ra hỏa hoạn hoặc cháy nổ.**



Tránh không để bộ nạp điện pin tiếp xúc với mưa hay nơi ẩm ướt. Nước lọt vào trong bộ nạp điện pin làm tăng nguy cơ bị điện giật.

- ▶ **Chỉ nạp pin cho dụng cụ điện cầm tay bằng bộ sạc đi kèm.**

- ▶ **Giữ bộ nạp điện pin được sạch.** Sự cấu bẩn có thể dẫn đến nguy cơ bị điện giật.
- ▶ **Trước mỗi lần sử dụng, kiểm tra lại bộ nạp điện pin, dây và phích cắm.** Nếu phát hiện ra hư hỏng, không được sử dụng bộ nạp điện pin. Bạn không bao giờ được tự tháo mở bộ nạp điện pin ra. Chỉ có kỹ thuật viên giỏi nghề, và chỉ sử dụng phụ tùng chính hãng để thực hiện việc thay thế, sửa chữa. Bộ nạp điện pin, dây và phích cắm bị hỏng làm tăng nguy cơ bị điện giật.
- ▶ **Không được vận hành bộ nạp điện pin mà đặt lên trên bề mặt vật dễ cháy (vd. giấy, vải v.v..) hoặc có ở chung quanh.** Sự nóng lên của bộ nạp điện pin trong quá trình nạp điện có thể gây ra nguy cơ cháy.

Mô Tả Sản Phẩm và Đặc Tính Kỹ Thuật



Đọc kỹ mọi cảnh báo an toàn và mọi hướng dẫn.

Không tuân thủ mọi cảnh báo và hướng dẫn được liệt kê dưới đây có thể bị điện giật, gây cháy và/hay bị thương tật nghiêm trọng.

Dành sử dụng cho

Máy được thiết kế để tháo hoặc bắt vít.

Đèn của dụng cụ điện này được xác định dùng để chiếu sáng khu vực làm việc trực tiếp của dụng cụ này và không thích hợp để chiếu sáng phòng trong hộ gia đình.

Biểu trưng của sản phẩm

Sự đánh số các biểu trưng của sản phẩm là để tham khảo hình minh họa của máy trên trang hình ảnh.

- 1 Mâm cặp không dùng chìa
- 2 Gạc vận chuyển đổi chiều quay
- 3 Ổ cắm của phích cắm nạp điện
- 4 Công tắc Tắt/Mở
- 5 Đèn báo sự kiểm soát dòng điện nạp
- 6 "PowerLight" (Đèn Chiếu Sáng)
- 7 Bộ nạp điện pin

112 | Tiếng Việt

8 Phích cắm nạp điện

9 Tay nắm (bề mặt nắm cách điện)

***Phụ tùng được trình bày hay mô tả không phải là một phần của tiêu chuẩn hàng hóa được giao kèm theo sản phẩm. Bạn có thể tham khảo tổng thể các loại phụ tùng, phụ kiện trong chương trình phụ tùng của chúng tôi.**

Thông số kỹ thuật

Máy Vặn Vít Pin		LiCo
Mã số máy		3 601 JF4 0..
Điện thế danh định	V=	10.8
Tốc độ không tải	v/p	0 - 700
Lực vặn tối đa ứng dụng cho việc bắt vít vào vật liệu cứng/mềm theo ISO 5393	Nm	6/15
Đường kính vít tối đa	mm	6
Trọng lượng theo Qui trình EPTA-Procedure 01:2014 (chuẩn EPTA 01:2014)	kg	0.90
Nhiệt độ môi trường cho phép		
- trong quá trình sạc điện	°C	0... +45
- khi vận hành* và khi lưu trữ	°C	-20... +50
Pin hợp khối		Li-Ion
Điện dung	Ah	1.5
Số lượng pin		3
Bộ Nạp Điện Pin		
Mã số máy		1 600 A00 8.. 1 600 A00 9..
Thời gian nạp điện	h	1
Hiệu suất điện thế ra	V=	15
Dòng điện nạp	A	1.5
Cấp độ bảo vệ		□/II
* hiệu suất giới hạn ở nhiệt độ <0 °C		

Sự lắp vào

- ▶ **Trước khi làm bất cứ công việc gì với máy (vd. bảo dưỡng, thay dụng cụ v. v..) cũng như trong quá trình vận chuyển và cất giữ, chính đặt gạc chọn chiều quay về vị trí chính giữa.** Sự vô ý kích hoạt công tắc Tắt/Mở có thể dẫn đến thương tích.

Nạp điện pin (xem hình A)

- ▶ **Không được sử dụng các bộ nạp điện pin loại khác.** Bộ nạp điện pin giao kèm máy được thiết kế cho pin Lithium-Ion lắp trong máy của bạn.
- ▶ **Hãy lưu ý điện thế nguồn!** Điện thế của nguồn điện cung cấp phải phù hợp với các số liệu được ghi trên nhãn mác của bộ nạp điện pin.

Ghi Chú: Pin giao kèm máy chỉ được nạp điện một phần. Để đảm bảo pin có đầy đủ điện dung, nạp điện hoàn toàn cho pin bằng bộ nạp điện pin trước khi bạn sử dụng dụng cụ điện cho lần đầu tiên.

Pin Lithium ion có thể nạp điện bất cứ lúc nào mà vẫn không làm giảm tuổi thọ của pin. Sự làm gián đoạn qui trình nạp điện không làm cho pin bị hư hỏng.

Pin Li-on được bảo vệ ngăn sự phóng điện quá lớn nhờ vào “Bộ phận Điện tử Bảo vệ Pin (Electronic Cell Protection = ECP)”. Khi pin hết điện, máy tự tắt nhờ vào thiết bị bảo vệ mạch: Dụng cụ đang lắp trong máy dừng quay hẳn.

- ▶ **Không được tiếp tục nhấn vào công tắc Tắt/Mở sau khi máy đã tự động tắt.** Có thể làm cho pin hỏng.

Quá trình sạc bắt đầu ngay khi cắm phích cắm của bộ sạc vào ổ cắm và cắm sạc **8** vào giắc cắm **3** ở mặt dưới của tay cầm.

Đèn chỉ báo trạng thái nạp pin **5** sẽ hiển thị tiến trình nạp. Trong quá trình nạp pin, đèn chỉ báo **nhấp nháy màu xanh lá**. Nếu đèn chỉ báo trạng thái nạp pin **5** có **màu xanh lá không thay đổi**, thì đó là lúc pin đã được nạp đầy.

Trong suốt quá trình nạp điện, tay nắm của máy nóng lên. Điều này là bình thường.

Rút phích cắm của bộ nạp điện pin ra khỏi nguồn điện khi không dùng đến trong một thời gian dài.

114 | Tiếng Việt

Không thể sử dụng dụng cụ điện được trong khi nạp điện; máy không bị hư hỏng khi không hoạt động trong thời gian nạp điện.

Tuân thủ các chú thích dành cho việc thải bỏ.

Thay Dụng Cụ (xem hình B)

- ▶ **Trước khi làm bất cứ công việc gì với máy (vd. bảo dưỡng, thay dụng cụ v. v..) cũng như trong quá trình vận chuyển và cất giữ, chỉnh đặt gạt chọn chiều quay về vị trí chính giữa.** Sự vô ý kích hoạt công tắc Tắt/Mở có thể dẫn đến thương tích.

Trục khoan bị khóa khi công tắc Tắt/Mở 4 không được nhấn vào, Điều này làm cho việc thay dụng cụ ở mâm cặp được nhanh, tiện lợi và dễ dàng có thể thực hiện được.

Mở mâm cặp không dùng chìa 1 bằng cách xoay theo chiều quay ❶, cho đến khi có thể lắp dụng cụ vào. Lắp dụng cụ vào.

Hãy xoay bạc lót của đầu cặp mũi khoan không chia 1 vào theo chiều xoay ❷ của tay thật mạnh, cho tới khi nghe thấy tiếng lách cách. Bằng cách đó, đầu cặp mũi khoan sẽ tự động được khóa.

Khóa được mở ra lại để lấy dụng cụ ra khi cổ mâm cặp được vặn theo chiều ngược lại.

Hút Dăm/Bụi

- ▶ Mạt bụi từ các vật liệu được sơn phủ ngoài có chứa chì trên một số loại gỗ, khoáng vật và kim loại có thể gây nguy hại đến sức khỏe con người. Dụng cụ hay hít thở các bụi này có thể làm người sử dụng hay đứng gần bị dị ứng và/hoặc gây nhiễm trùng hệ hô hấp. Một số mạt bụi cụ thể, ví dụ như bụi gỗ sồi hay dẫu, được xem là chất gây ung thư, đặc biệt là có liên quan đến các chất phụ gia dùng xử lý gỗ (chất cromat, chất bảo quản gỗ). Có thể chỉ nên để thợ chuyên môn gia công các loại vật liệu có chứa amiăng.
 - Tạo không khí thông thoáng nơi làm việc.
 - Khuyến nghị nên mang mặt nạ phòng độc có bộ lọc cấp P2.

Tuân thủ các qui định của quốc gia bạn liên quan đến loại vật liệu gia công.

- ▶ **Tránh không để rác tích tụ tại nơi làm việc.** Rác có thể dễ dàng bắt lửa.

Vận Hành

Bắt Đầu Vận Hành

Đảo Chiều Quay (xem hình C)

Gạc chuyển đổi chiều quay **2** được sử dụng để đảo lại chiều quay của máy. Tuy nhiên, việc này không thể thực hiện được cùng lúc với công tắc Tắt/Mở **4** đang hoạt động.

Chiều Quay Phải: Để khoan hay bắt vít vào, đẩy gạc chuyển đổi chiều quay **2** về hết bên trái.

Chiều Quay Trái: Để nới hay là tháo vít hay là đai ốc, nhấn gạc chuyển đổi chiều quay **2** qua hết bên phải.

Bật Mở và Tắt

Để khởi **động máy**, nhấn công tắc Tắt/Mở **4** và nhấn giữ xuống.

Ánh sáng **6** sáng lên khi công tắc Tắt/Mở **4** được bóp nhẹ hay bóp hết vào cho phép rọi sáng được phạm vi gia công khi tình trạng ánh sáng không được tốt.

Để tắt máy, **nhả** công tắc Tắt/Mở **4** ra.

Để tiết kiệm năng lượng, chỉ cho dụng cụ điện hoạt động khi sử dụng.

Điều chỉnh tốc độ

Tốc độ của dụng cụ điện cầm tay đang hoạt động có thể điều chỉnh thay đổi, tùy theo độ nông sâu của công tắc Tắt/Mở **4** được bóp vào.

Lực nhấn nhẹ lên công tắc Tắt/Mở **4** tạo ra tốc độ quay thấp. Tăng lực nhấn lên công tắc làm tăng tốc độ quay.

Khóa tự động toàn bộ trục (Khóa tự động)

Khi công tắc Tắt/Mở **4** không bị nhấn vào, trục khoan không quay nhờ vậy nên phần gắn dụng cụ được khóa chết lại.

Do vậy nên vẫn có thể bắt vít vào, ngay cả khi điện pin đã cạn và cho phép máy được sử dụng như là một tua-vít.

Hãm Trón Quay

Khi công tắc Tắt/Mở **4** được nhả ra, mâm cặp hãm cho ngừng lại, cách này ngăn không để dụng cụ tiếp tục quay.

116 | Tiếng Việt

Khi bắt vít vào, chờ cho đến khi vít được bắt vào bằng mặt với vật liệu và sau đó nhà công tắc Tắt/Mở 4 ra. Bằng cách thức như thế, đầu vít không ăn thâm vào vật liệu.

LED	Điện dung
Sáng liên tục 3 x màu xanh lá	$\geq 2/3$
Sáng liên tục 2 x màu xanh lá	$\geq 1/3$
Sáng liên tục 1 x màu xanh lá	$< 1/3$
Chớp sáng 1 x màu xanh lá	Sự Dự Phòng

Bảo Vệ Chống Quá Tải Dựa Trên Nhiệt Độ

Trong quá trình sử dụng sắp tới, không được để dụng cụ điện bị quá tải. Nếu tải trọng quá nặng hoặc vượt quá nhiệt độ pin cho phép, hệ thống điện sẽ tắt dụng cụ điện, cho tới khi hệ thống này lại ở trong khoảng nhiệt độ vận hành tối ưu.

Hướng Dẫn Sử Dụng

► **Chỉ được đặt dụng cụ điện cầm tay vào vít khi đã tắt máy.** Dụng cụ đang quay có thể bị tuột ra.

Sau thời gian dài vận hành máy liên tục ở tốc độ thấp, để làm máy nguội xuống, cho máy chạy không tải với tốc độ tối đa trong khoảng 3 phút.

Để khoan kim loại, chỉ nên dùng mũi khoan thép gió HSS thật sắc bén (HSS = thép tốc độ cao). Chất lượng đáp ứng chuẩn được đảm bảo trong chương trình phụ kiện của Bosch.

Trước khi bắt một vít lớn, dài hơn bình thường vào vật liệu cứng, nên khoan trước một lỗ mới có cùng đường kính răng vít vào sâu vào khoảng $\frac{2}{3}$ của chiều dài vít.

Bảo Dưỡng và Bảo Quản

Bảo Dưỡng Và Làm Sạch

► **Trước khi làm bất cứ công việc gì với máy (vd. bảo dưỡng, thay dụng cụ v. v..) cũng như trong quá trình vận chuyển và cất giữ, chỉnh đặt gạc chặn chiều quay về vị trí chính giữa.** Sự vô ý kích hoạt công tắc Tắt/Mở có thể dẫn đến thương tích.

► **Để được an toàn và máy hoạt động đúng chức năng, luôn luôn giữ máy và các khe thông gió được sạch.**

Khi pin không còn hoạt động được nữa, xin liên hệ một đại lý phục vụ hàng sau khi bán dụng cụ điện cầm tay do Bosch ủy nhiệm để được hướng dẫn.

Nếu như cần phải thay dây dẫn điện thì công việc này phải do hãng Bosch, hay một đại lý được Bosch ủy nhiệm thực hiện để tránh gặp sự nguy hiểm do mất an toàn.

Dịch Vụ Sau Khi Bán và Dịch Vụ Ứng Dụng

Bộ phận phục vụ hàng sau khi bán của chúng tôi sẽ trả lời các câu hỏi liên quan đến việc bảo trì và sửa chữa các sản phẩm cũng như các phụ tùng thay thế của bạn. Hình ảnh chi tiết và thông tin phụ tùng thay thế có thể tìm hiểu theo địa chỉ dưới đây:

www.bosch-pt.com

Bộ phận dịch vụ ứng dụng Bosch sẽ hân hạnh trả lời các câu hỏi liên quan đến các sản phẩm của chúng tôi và linh kiện của chúng.

Trong tất cả các phản hồi và đơn đặt phụ tùng, xin vui lòng luôn luôn nhập số hàng hóa 10 chữ số theo nhãn của hàng hóa.

Việt Nam

Công ty Trách Nhiệm Hữu Hạn Robert Bosch Việt Nam, PT/SVN

Tầng 10, 194 Golden Building

473 Điện Biên Phủ

Phường 25, Quận Bình Thạnh

Thành Phố Hồ Chí Minh

Việt Nam

Tel.: (08) 6258 3690 Ext 413

Fax: (08) 6258 3692

hieu.lagia@vn.bosch.com

www.bosch-pt.com

Vận Chuyển

Pin có chứa lithium-ion là đối tượng phải tuân theo các qui định của Pháp Luật về Hàng Hóa Nguy Hiểm. Người sử dụng có thể vận chuyển pin bằng đường bộ mà không cần có thêm yêu cầu nào khác.

Khi được vận chuyển thông qua bên thứ ba (vd. vận chuyển bằng đường hàng không hay đại lý giao nhận), phải tuân theo các yêu cầu đặc biệt về đóng gói và dán nhãn. Để chuẩn bị cho món hàng sẽ được gửi đi, cần tham khảo ý kiến của chuyên gia về vật liệu nguy hiểm.

118 | Tiếng Việt**Thải bỏ**

Máy, pin nạp điện lại được, phụ kiện và bao bì phải được phân loại để tái chế theo hướng thân thiện với môi trường.

Không được vứt bỏ dụng cụ điện, pin/pin nạp điện lại được vào chung với rác sinh hoạt!

Pin lỏng/pin:**Li-ion:**

Xin vui lòng tuân thủ theo thông tin dưới đây “Vận Chuyển”, trang 117.

► **Chỉ cho phép kỹ thuật viên tháo pin tích hợp để thải bỏ.** Mở lớp vỏ bọc có thể làm hỏng dụng cụ điện cầm tay.

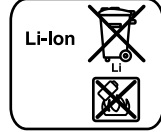
Để tháo pin của dụng cụ điện cầm tay, hãy bấm công tắc bật/tắt **4** cho đến khi pin xả hết hoàn toàn. Hãy xoay vít tại vỏ máy ra và gỡ bỏ lớp vỏ bọc để tháo pin. Lần lượt tách riêng các đầu nối tại pin và ngắt các điện cực để tránh đoản mạch. Ngay cả khi đã xả hoàn toàn, pin vẫn chứa một lượng điện dung còn lại, lượng điện dung này sẽ được phóng ra trong trường hợp đoản mạch.

Được quyền thay đổi nội dung mà không phải thông báo trước.

المراكم/البطاريات:

أيونات الليثيوم:

يرجى مراعاة الملاحظات في فقرة "النقل"، الصفحة 120 .



◀ لا يجوز إخراج المراكم المدمجة للتخلص منها إلا من قبل فنيين متخصصين. فقد يتسبب فتح غطاء جسم الجهاز في إتلاف العدة الكهربائية.

إخراج المركم من العدة الكهربائية استمر في الضغط على مفتاح التشغيل / الإيقاف 4 إلى أن تفرغ شحنة المركم بالكامل. قم بفك اللوالب الموجودة بجسم الجهاز واخلع غطاء جسم الجهاز لإخراج المركم. لمنع حدوث دائرة قصر قم بفصل أطراف توصيل المركم كل على حدة بشكل متتالي، واعزلها ثم اعزل الأقطاب. حتى مع الفراغ الكامل لشحنة البطارية توجد قدرة متبقية في المركم، يمكن أن تتحرر في حالة دائرة القصر.
نحتفظ بحق إدخال التعديلات.

الجزائر

سيستال

المنطقة الصناعية اعدادن

بجاية 06000 - الجزائر

الهاتف: +213 (0) 982 400 992

الفاكس: +213 (0) 34201569

البريد الإلكتروني: sav@siestal-dz.com

تونس

صوتال

م.ص. - المجمع سان كوبان رقم 99 - 25

2014. مكرين رياض تونس

الهاتف: +216 71 428 770

الفاكس: +216 71 354 175

البريد الإلكتروني: sotel2@planet.tn

مصر

يونيمار

رقم 20 مركز الخدمات

التجمع الاول - القاهرة الجديدة - مصر

الهاتف: +2 02 224 76091 - 95 / +2 02 224 78072 - 73

لفاكس: +2 022 2478075

البريد الإلكتروني: boschegypt@unimaregypt.com

النقل

تخضع مراكم إيونات الليثيوم المركبة لأحكام قانون المواد الخطيرة. يسمح للمستخدم أن يقوم بنقل المراكم على الطرقات دون التقيد بأية شروط إضافية. عندما يتم إرسالها عن طريق طرف آخر (مثلا: الشحن الجوي أو شركة شحن)، يتوجب التقيد بشروط خاصة بصدد التغليف والتعليم. ينبغي استشارة خبير متخصص بنقل المواد الخطيرة عندما يرغب بتحضير القطعة المرغوب إرسالها في هذه الحالة.

التخلص من العدة الكهربائية

يجب التخلص من العدة الكهربائية والمركم والتوابع والتغليف بطريقة منصفة بالبيئة عن طريق النفايات القابلة لإعادة التصنيع.



لا ترمم العدد الكهربائية والمراكم/البطاريات في النفايات المنزلية!

الصيانة والخدمة

الصيانة والتنظيف

◀ **ركز مفتاح تحويل اتجاه الدوران على الوضع المتوسط قبل إجراء أي تعديل بالعدة الكهربائية (مثلاً: الصيانة، استبدال العدد وإلخ..)** وأيضاً عند نقلها أو خزنها. يتشكل خطر الإصابة بجروح عند الضغط على مفتاح التشغيل والإطفاء بشكل غير مقصود.

◀ **حافظ دائماً على نظافة العدة الكهربائية وشقوق التهوية للعمل بشكل جيد وآمن.**

يرجى التوجه إلى مركز خدمة زبائن وكالة بوش للعدد الكهربائية، إن لم يعد المركز صالحاً للعمل.

إن تطلب الأمر استبدال خط الامداد، فينبغي أن يتم ذلك من قبل شركة بوش أو من قبل مركز خدمة زبائن وكالة بوش للعدد الكهربائية، لتجنب التعرض للمخاطر.

خدمة الزبائن ومشورة الاستخدام

يجيب مركز خدمة الزبائن على أسئلتكم بصدد تصليح وصيانة المنتج وأيضاً بما يخص قطع الغيار. يعثر على الرسوم الممددة وعلى المعلومات عن قطع الغيار بموقع:

www.bosch-pt.com

سيكون من دواعي سرور فرقة مشورة الاستخدام بشركة بوش أن تساعدكم بخصوص الأسئلة عن منتجاتنا وتوابعها.

يلزم ذكر رقم الصنف ذو الخانات العشر وفقاً للوحة صنع المنتج عند إرسال أية استفسارات أو طلبيات قطع غيار.

يرجى التوجه إلى التاجر المختص بما يتعلّق بأمور الضمان والتصليح وتأمين قطع الغيار.

المغرب

أوتبرو

ر35، زقة الملازم محمد محروض

الدار البيضاء 20300 - المغرب

الهاتف: +212 (0) 522 400 409 / +212 (0) 522 400 615

البريد الإلكتروني: service@outipro.ma

يؤدي الضغط الخفيف على مفتاح التشغيل والإطفاء 4 إلى عدد دوران منخفض. يزداد عدد الدوران بزيادة الضغط.

تثبيت آلي كامل لمحرك الدوران (إقفال آلي)

عند عدم الضغط على مفتاح التشغيل والإطفاء 4 يتم تثبيت محور دوران المثقاب وبذلك حاضن العدة أيضاً. ويسمح ذلك بربط اللوالب حتى لو كان المرمك فارغ أو باستخدام العدة الكهربائية بمثابة مفك براغي اعتيادي.

مكابح إنهاء الدوران

عند إطلاق مفتاح التشغيل والإطفاء 4 يتم كبح ظرف المثقاب مما يمنع عدة الشغل من متابعة دورانها.

لا تطلق مفتاح التشغيل والإطفاء 4 عند ربط اللوالب، إلا بعد أن يكون قد تم ربط اللوالب بمادة الشغل بتساطح. لن يغطس رأس اللولب في مادة الشغل عندئذ.

مؤشر مضيء	السعة
ضوء مستمر 3 x أخضر	$3/2 \leq$
ضوء مستمر 2 x أخضر	$3/1 \leq$
ضوء مستمر 1 x أخضر	$3/1 >$
ضوء خفاق 1 x أخضر	احتياطي

واقية فرط التحميل المتعلقة بالحرارة

في الاستعمال المطابق للتعليمات لا يمكن تعريض العدة الكهربائية للتحميل الزائد. في حالة التحميل الزائد أو تجاوز درجة حرارة البطارية المسموح بها تقوم الوحدة الإلكترونية بفصل العدة الكهربائية إلى أن تصل مرة أخرى إلى نطاق درجة حرارة التشغيل المثالي.

ملاحظات شغل

◀ **ركز العدة الكهربائية على اللولب فقط عندما تكون مطفاة.** إن عدد الشغل الدوارة قد تنزلق.

بعد تنفيذ الأعمال لفترة طويلة بعدد دوران صغير ينبغي تشغيل الجهاز على الفاضي لمدة ثلاث دقائق تقريباً بعد الدوران الأقصى من أجل تبريده. استخدم عند تثقيب المعادن فقط لقم التثقيب (HSS) = الفولاذ العالي القدرة والسريع القطع) يضمن برنامج توابع بوش الجودة المناسبة. قبل ربط اللوالب الكبيرة الطويلة في مواد الشغل القاسية، ينصح بإجراء تثقب تمهيدي بقطر لبّ اللولب وبمقدار $1/2$ طول اللولب.

شفط الغبار/النشارة

- ◀ إن أغبرة بعض المواد كالطلاء الذي يحتوي على الرصاص، وبعض أنواع الخشب والفلزات والمعادن، قد تكون مضرّة بالصحة. إن ملامسة أو استنشاق الأغبرة قد يؤدي إلى ردود فعل زائدة الحساسية و/أو إلى أمراض المجاري التنفسية لدى المستخدم أو لدى الأشخاص المتواجدين على مقربة من المكان. تعتبر بعض الأغبرة المعينة، كأغبرة البلوط والزان بأنها مسببة للسرطان، ولا سيما بالاتصال مع المواد الإضافية لمعالجة الخشب (ملح حامض الكروميك، المواد الحافظة للخشب). يجوز أن يتم معالجة المواد التي تحتوي على الأسبستوس من قبل العمال المتخصصين فقط دون غيرهم.
- حافظ على تهوية مكان الشغل بشكل جيد.
- ينصح بارتداء قناع وقاية للتنفس بفئة المرشح P2.
- تراعى الأحكام السارية في بلدكم بالنسبة للمواد المرغوب معالجتها.
- ◀ تجنب تراكم الغبار بمكان العمل. يجوز أن تشتعل الأغبرة بسهولة.

التشغيل

بدء التشغيل

ضبط اتجاه الدوران (تراجع الصورة C)

يمكنك بواسطة مفتاح تحويل اتجاه الدوران 2 أن تقوم بتغيير اتجاه دوران العدة الكهربائية. ولكن لا يمكن تنفيذ ذلك عندما يكون مفتاح التشغيل والإطفاء 4 قيد التشغيل.

دوران يميني: لإجراء أعمال الثقيب وربط اللوالب يضغط مفتاح تحويل اتجاه الدوران 2 إلى اليسار إلى حد التصادم.

دوران يساري: لحلّ أو نزع اللوالب والصواميل يضغط مفتاح تحويل اتجاه الدوران 2 إلى اليمين إلى حد التصادم.

التشغيل والإطفاء

اضغط من أجل تشغيل العدة الكهربائية على مفتاح التشغيل والإطفاء 4 وحافظ على إبقائه مضغوطاً.

إن المصباح 6 يضيء عند الضغط على مفتاح التشغيل والإطفاء 4 بشكل جزئي أو كامل ويسمع بإضاءة مكان الشغل إن كانت الإضاءة غير ملائمة.

إطفاء العدة الكهربائية، يترك مفتاح التشغيل والإطفاء 4.

شغل العدة الكهربائية فقط عندما تستخدمها، من أجل توفير الطاقة.

ضبط عدد الدوران

يمكنك أن تتحكم بعدد دوران العدة الكهربائية قيد التشغيل دون تدريب، حسب مدى الضغط على مفتاح التشغيل والإطفاء 4.

◀ **انتبه إلى جهد الشبكة الكهربائية** يجب أن يتطابق جهد منبع التيار مع المعلومات المذكورة على لافتة طراز جهاز الشحن. يمكن تشغيل أجهزة الشحن المحددة بـ 230 فولت بـ 220 فولت أيضاً.

ملاحظة: يتم تسليم المرمك وهو بحالة شحن جزئي. يتوجب شحن المرمك في تجهيزة الشحن بشكل كامل قبل الاستعمال الأول لضمان قدرة أداء المرمك الكاملة. يمكن أن يتم شحن مرمك أيونات الليثيوم في أي وقت، دون الحد من فترة صلاحيته. لا يضر قطع عملية الشحن بالمرمك.

لقد تمّ وقاية مرمك أيونات الليثيوم من التفريغ العميق بواسطة "واقية الخلايا الإلكترونية (ECP)". يتمّ إطفاء العدة الكهربائية بواسطة قارئة وقائية عندما يفرغ المرمك: لن تتحرك عدة الشغل عندئذ.

◀ **لا تتابع الضغط على مفتاح التشغيل والإطفاء بعد انطفاء العدة الكهربائية بشكل آلي.** قد يتلف المرمك.

تبدأ عملية الشحن فور ربط قابس الشبكة الكهربائية بالمقبس وقابس الشحن 8 في المقبس 3 بالجانب السفلي للمقبض اليدوي.

يشير مؤشر حالة شحن المرمك 5 إلى تقدم عملية الشحن. **يخفق** المؤشر باللون الأخضر أثناء عملية الشحن. عندما يضيء مؤشر حالة شحن المرمك 5 باللون الأخضر باستمرار، فإن المرمك مشحون بشكل كامل.

يحمي المقبض اليدوي بالعدة الكهربائية أثناء إجراءات الشحن. إن هذا الأمر طبيعي.

يرجى فصل جهاز الشحن عن الشبكة الكهربائية عند عدم الاستعمال لفترة طويلة. لا يمكن استخدام العدة الكهربائية أثناء عملية الشحن، أي أنها غير مصابة بتلف إن لم تكن تعمل أثناء عملية الشحن.

تراعي الملاحظات بصدد التخلص من العدد.

استبدال العدد (تراجع الصورة B)

◀ **ركز مفتاح تحويل اتجاه الدوران على الوضع المتوسط قبل إجراء أي تعديل بالعدة الكهربائية (مثلاً: الصيانة، استبدال العدد وإلخ..)** وأيضاً عند نقلها أو خزنها. يتشكل خطر الإصابة بجروح عند الضغط على مفتاح التشغيل والإطفاء بشكل غير مقصود.

عند عدم الضغط على مفتاح التشغيل والإطفاء 4 يتمّ تثبيت محور الدوران. ويسمع ذلك باستبدال عدد التشغيل بظرف المثقاب بشكل سريع وسهل ومريح.

افتح ظرف المثقاب السريع الشد 1 من خلال فتله باتجاه الدوران ❶ إلى أن يسمع بتركيب عدة الشغل. ركب عدة الشغل.

اغلق لبيسة ظرف المثقاب السريع الشد 1 بفتلها باتجاه الدوران ❷ بواسطة اليد بقوة، إلى أن تسمع صوت الطقطة. يتمّ إقفال ظرف المثقاب بذلك بشكل آلي. يتمّ إعادة فك الإقفال عند فتل اللبيسة إلى الاتجاه المعاكس من أجل نزع العدة.

مفك براغي بمركم		LiKo
15/6	نيوتن متر	عزم الدوران الأقصى بحالة ربط لوابب لينة/ قاسية حسب ISO 5393
6	مم	Ø اللوابب الأقصى
0,90	كغ	الوزن حسب EPTA-Procedure 01:2014
+45... 0	°C	درجة الحرارة المحيطة المسموح بها
+50... -20	°C	- عند الشحن - عند التشغيل* عند التخزين
المركم		أيونات الليثيوم
1,5	Ah	السعة
3		عدد خلايا المركم
جهاز الشحن		
1 600 A00 8..		رقم الصنف
1 600 A00 9..		رقم الصنف
1	سا	مدة الشحن
15	فولط	جهد شحن المركم
1,5	أمبير	تيار الشحن
II / 		فئة الوقاية

* قدرة محدودة في درجات الحرارة >0°C

التركيب

◀ ركز مفتاح تحويل اتجاه الدوران على الوضع المتوسط قبل إجراء أي تعديل بالعدة الكهربائية (مثلاً: الصيانة، استبدال العدد وإلخ..). وأيضاً عند نقلها أو تخزينها. يتشكل خطر الإصابة بجروح عند الضغط على مفتاح التشغيل والإطفاء بشكل غير مقصود.

شحن المركم (تراجع الصورة A)

◀ لا تستعمل جهاز شحن آخر. لقد تم ملائمة جهاز الشحن المرفق مع مركم أيونات الليثيوم المركب في عدتك الكهربائية.

وصف المنتج والأداء

اقرأ جميع الملاحظات التحذيرية والتعليمات. إن ارتكاب الأخطاء عند تطبيق الملاحظات التحذيرية والتعليمات قد يؤدي إلى الصدمات الكهربائية، إلى نشوب المرائق و/أو الإصابة بجروح خطيرة.



الاستعمال المخصص

لقد خصصت العدة الكهربائية لربط وفك اللوالب.

مصباح هذه العدة الكهربائية مخصص للإضاءة المباشرة لنطاق عمل العدة الكهربائية، ويعتبر غير مناسب للاستخدامات المنزلية في الإضاءة.

الأجزاء المصورة

يستند ترقيم الأجزاء المصورة إلى رسوم العدة الكهربائية الموجودة في صفحة الرسوم التخطيطية.

- 1 ظرف المثقاب السريع الشد
 - 2 مفتاح تحويل اتجاه الدوران
 - 3 مقبس قابس الشحن
 - 4 مفتاح التشغيل والإطفاء
 - 5 مؤشر حالة شحن المرمك
 - 6 مصباح "ضوء قوي"
 - 7 جهاز الشحن
 - 8 قابس الشحن
 - 9 مقبض يدوي (سطح القبض معزول)
- * لا يتضمن إطار التوريد الاعتيادي التوابع المصورة أو الموصوفة. يعثر على التوابع الكاملة في برنامجنا للتوابع.

البيانات الفنية

LiKo		مفك براغي بمرمك
3 601 JF4 0..		رقم الصنف
10,8	= فولط	الجهد الاسمي
700 - 0	دقيقة ¹	عدد الدوران اللاحملي
* قدرة محدودة في درجات الحرارة >0° C		

المرتبطة بها. وإلا فسيكون هناك خطر نتيجة للاستخدام بشكل خاطئ وقد يتعرضون لإصابات.

◀ **راقب الأطفال أثناء عملية الاستخدام والتنظيف والصيانة.** لضمان عدم عبث الأطفال بجهاز الشحن.

◀ **لا تشحن إلا مراكم أيونات الليثيوم من Bosch بدءاً من السعة 1,5 Ah (بدءاً من 3 خلية مركم).** يجب أن يلائم جهد المراكم جهد شحن المركم الخاص بجهاز الشحن. لا تقم بشحن بطاريات غير قابلة لإعادة الشحن. وإلا فسيكون هناك خطر اندلاع حريق وحدوث انفجار.

أحم جهاز الشحن من الأمطار والرطوبة. يزيد تسرب الماء إلى داخل جهاز الشحن من أخطار الصدمات الكهربائية. 

◀ اقتصر على الشاحن المورد عند شحن العدة الكهربائية.
 ◀ حافظ على نظافة جهاز الشحن. يتشكل خطر الصدمات الكهربائية عند الاتساخ.
 ◀ افحص جهاز الشحن والكابل والقابس قبل كل استعمال. لا تستخدم جهاز الشحن في حال اكتشاف التلف. لا تفتح جهاز الشحن بنفسك واسمح بتصليحه فقط من قبل العمال المتخصصين وباستعمال قطع الغيار الأصلية فقط. إن أجهزة الشحن والكابلات والقوايس التالفة تزيد خطر الصدمات الكهربائية.

◀ لا تستعمل جهاز الشحن على أرضية سهلة الاشتعال (مثلاً: الورق، الأقمشة وإلخ..) أو في الأجواء القابلة للاحتراق. يتشكل خطر نشوب الحرائق بسبب ارتفاع حرارة جهاز الشحن الناتج عن عملية الشحن.

تعليمات الأمان لمفكات اللوالب

- ◀ امسك بالعدة الكهربائية من قبل سطوح القبض المعزولة عند إجراء الأعمال التي من الجائز أن يصيب بها اللولب الخطوط الكهربائية المخفية. إن تلامس اللولب مع خط يسري به جهد كهربائي قد يكهرب أيضاً أجزاء معدنية بالعدة الكهربائية، فيؤدي إلى صدمة كهربائية.
 - ◀ اقبض على العدة الكهربائية بإحكام. قد تتشكل عزوم رد فعل عالية لوهلة عند إحكام شد وحلّ اللوالب.
 - ◀ انتظر إلى أن تتوقف العدة الكهربائية عن الحركة قبل أن تضعها جانباً. قد تتكبد عدة الشغل فتؤدي إلى فقدان السيطرة على العدة الكهربائية.
 - ◀ ركز مفتاح تحويل اتجاه الدوران على الوضع المتوسط قبل إجراء أي تعديل بالعدة الكهربائية (مثلاً: الصيانة، استبدال العدد وإلخ..). وأيضاً عند نقلها أو خزنها. يتشكل خطر الإصابة بجروح عند الضغط على مفتاح التشغيل والإطفاء بشكل غير مقصود.
- احم العدة الكهربائية من الحرارة، بما فيه التعرض المستمر لأشعة الشمس مثلاً، والنار والماء والرطوبة. يتشكل خطر الانفجار.
- ◀ قد تنطلق الأبخرة عند إتلاف المركم واستخدامه بطريقة غير ملائمة. أمن توفر الهواء النقي وراجع الطبيب إن شعرت بآلام. قد تهيج هذه الأبخرة المجاري التنفسية.



تعليمات الأمان لأجهزة الشحن

- ◀ جهاز الشحن هذا غير مناسب لاستعمال الأطفال والأشخاص الذين يعانون من نقص في القدرات البدنية أو الحسية أو العقلية أو الذين ليست لديهم الدراية والمعرفة.
- لا يمكن استخدام هذا الشاحن من قبل الأطفال من 8 سنوات فأكثر، بالإضافة للأشخاص الذين يعانون من نقص في القدرات البدنية أو الحسية أو العقلية أو الذين ليست لديهم الدراية والمعرفة، إلا في حالة الإشراف عليهم من قبل شخص مسؤول عن سلامتهم أو إذا تم إرشادهم إلى كيفية التعامل الآمن مع هذا الشاحن، وإلى الأخطار

- ◀ اسحب القابس من المقبس و/أو انزع المرمك قبل ضبط الجهاز وقبل استبدال قطع التوابع أو قبل وضع الجهاز جانباً. تمنع إجراءات الاحتياط هذه تشغيل العدة الكهربائية بشكل غير مقصود.
 - ◀ احتفظ بالعدد الكهربائية التي لا يتم استخدامها بعيداً عن منال الأطفال. لا تسمح باستخدام العدة الكهربائية لمن لا خبرة له بها أو لمن لم يقرأ تلك التعليمات. العدد الكهربائية خطيرة إن تم استخدامها من قبل أشخاص دون خبرة.
 - ◀ اعتن بالعدة الكهربائية بشكل جيد. تفحص عما إذا كانت أجزاء الجهاز المتحركة تعمل بشكل سليم وبأنها غير مستعصية عن الحركة أو إن كانت هناك أجزاء مكسورة أو تالفة لدرجة تؤثر فيها على حسن أداء العدة الكهربائية. ينبغي تصليح هذه الأجزاء التالفة قبل إعادة تشغيل الجهاز. الكثير من المواد مصدرها العدد الكهربائية التي تم صيانتها بشكل ردي.
 - ◀ حافظ على إبقاء عدد القطع نظيفة وحادة. إن عدد القطع ذات حواف القطع المادة التي تم صيانتها بعناية تتكلم بشكل أقل ويمكن توجيهها بشكل أسير.
 - ◀ استخدم العدد الكهربائية والتوابع وعدد الشغل وإلخ. حسب هذه التعليمات. تراعى أثناء ذلك شروط الشغل والعمل المراد تنفيذه. استخدام العدد الكهربائية لغير الأشغال المخصصة لأجلها قد يؤدي إلى حدوث الحلات الخطيرة.
- حسن معاملة واستخدام العدد المزودة بمرمك**
- ◀ اشحن المراكم فقط في أجهزة الشحن التي يُنصح باستخدامها من طرف المنتج. يعمّ خطر نشوب المرائق بأجهزة الشحن المخصصة لنوع معين من المراكم إن تم استخدامها مع نوع آخر من المراكم.
 - ◀ استخدم بالعدد الكهربائية فقط المراكم المخصصة لذلك. قد يؤدي استخدام المراكم الأخرى إلى الإصابات وإلى خطر نشوب المرائق.
 - ◀ حافظ على إبعاد المرمك الذي لا يتم استعماله عن مشابك الورق وقطع النقود المعدنية والمفاتيح والمسامير واللواب أو غيرها من الأغراض المعدنية الصغيرة التي قد تقوم بتوصيل الملامسين ببعضهما البعض. قد يؤدي تقصير الدارة الكهربائية بين ملامسي المرمك إلى الاحتراق أو إلى اندلاع النار.
 - ◀ قد يتسرب السائل من المرمك عند سوء الاستعمال. تجنب ملامسته. اشطفه بالماء في حال ملامسته صدفة. إن وصل السائل إلى العينين، فراجع الطبيب إضافة إلى ذلك. قد يؤدي سائل المرمك المتسرب إلى تهيج البشرة أو إلى الاحتراق.

الخدمة

- ◀ اسمع بتصليح عدتك الكهربائية فقط من قبل العمال المتخصصين و فقط باستعمال قطع الغيار الأصلية. يؤمن ذلك المحافظة على أمان الجهاز.

- ◀ استخدم فقط كابلات التمديد الصالحة للاستعمال الخارجي أيضاً عندما تشتغل بالعدة الكهربائية في الخلاء. يفض استعمل كابل تمديد مخصص للاستعمال الخارجي من خطر الصدمات الكهربائية.
- ◀ إن لم يكن بالإمكان تجنب تشغيل العدة الكهربائية في الأجواء الرطبة، فاستخدم مفتاح للوقاية من التيار المتخلف. إن استخدام مفتاح للوقاية من التيار المتخلف يقلل خطر الصدمات الكهربائية.

أمان الأشخاص

- ◀ كن يقظاً وانتبه إلى ما تفعله وقم بالعمل بواسطة العدة الكهربائية بتعقل. لا تستخدم عدة كهربائية عندما تكون متعب أو عندما تكون تحت تأثير المخدرات أو الكحول أو الأدوية. عدم الانتباه للحظة واحدة عند استخدام العدة الكهربائية قد يؤدي إلى إصابات خطيرة.
- ◀ ارتد عتاد الوقاية الخاص وارتد دائماً نظارات واقية. يحد ارتداء عتاد الوقاية الخاص، كقناع الوقاية من الغبار وأحذية الأمان الواقية من الانزلاق والخوذ أو واقية الأذنين، حسب نوع واستعمال العدة الكهربائية، من خطر الإصابة بجروح.
- ◀ تجنب التشغيل بشكل غير مقصود. تأكد من كون العدة الكهربائية مطفاة قبل وصلها بإمداد التيار الكهربائي و/أو بالمركم، وقبل رفعها أو حملها. إن كنت تضع إصبعك على المفتاح أثناء حمل العدة الكهربائية أو إن وصلت الجهاز بالشبكة الكهربائية عندما يكون قيد التشغيل، فقد يؤدي ذلك إلى حدوث الموادث.
- ◀ انزع عدد الضبط أو مفتاح الربط قبل تشغيل العدة الكهربائية. قد تؤدي العدة أو المفتاح المتواجد في جزء دوار من الجهاز إلى الإصابة بجروح.
- ◀ تجنب أوضاع الجسد الغير طبيعية. قف بأمان وحافظ على توازنك دائماً. سيسمح لك ذلك من السيطرة على الجهاز بشكل أفضل في المواقف الغير متوقعة.
- ◀ ارتد ثياب مناسبة. لا ترتد الثياب الفضفاضة أو الحلى. حافظ على إبقاء الشعر والثياب والقفازات على بعد عن أجزاء الجهاز المتحركة. قد تتشابك الثياب الفضفاضة والحلى والشعر الطويل بالأجزاء المتحركة.
- ◀ إن جاز تركيب تجهيزات شفط وتجميع الغبار، فتأكد من أنها موصولة وبأنه يتم استخدامها بشكل سليم. قد يقلل استخدام تجهيزات لشفط الأغبرة من المخاطر الناتجة عن الأغبرة.

حسن معاملة واستخدام العدد الكهربائية

- ◀ لا تفرط بتحميل الجهاز. استخدم لتنفيذ أشغالك العدة الكهربائية المخصصة لذلك. إنك تعمل بشكل أفضل وأكثر أماناً بواسطة العدة الكهربائية الملائمة في مجال الأداء المذكور.
- ◀ لا تستخدم العدة الكهربائية إن كان مفتاح تشغيلها تالف. العدة الكهربائية التي لم تعد تسمح بتشغيلها أو بإطفاؤها خطيرة ويجب أن يتم تصليحها.

عربي

تعليمات الأمان

ملاحظات تحذيرية عامة للعدد الكهربائية

⚠ تحذير اقرأ جميع الملاحظات التحذيرية والتعليمات. إن ارتكاب الأخطاء عند تطبيق الملاحظات التحذيرية والتعليمات قد يؤدي إلى الصدمات الكهربائية، إلى نشوب الحرائق و/أو الإصابة بجروح خطيرة. احتفظ بجميع الملاحظات التحذيرية والتعليمات للمستقبل.

يقصد بمصطلح "العدة الكهربائية" المستخدم في الملاحظات التحذيرية، العدد الكهربائية الموصولة بالشبكة الكهربائية (بواسطة كابل الشبكة الكهربائية) وأيضاً العدد الكهربائية المزودة بمركم (دون كابل الشبكة الكهربائية).

الأمان بمكان الشغل

- ◀ حافظ على نظافة وحسن إضاءة مكان شغلك. الفوضى في مكان الشغل ومجالات العمل الغير مضاءة قد تؤدي إلى حدوث الحوادث.
- ◀ لا تشتغل بالعدة الكهربائية في محيط معرض لخطر الانفجار والذي تتوفر فيه السوائل أو الغازات أو الأغبرة القابلة للاشتعال. العدد الكهربائية تشكل الشرر الذي قد يتطاير، فيشعل الأغبرة والأبخرة.
- ◀ حافظ على بقاء الأطفال وغيرهم من الأشخاص على بعد عندما تستعمل العدة الكهربائية. قد تفقد السيطرة على الجهاز عند التلهي.

الأمان الكهربائي

- ◀ يجب أن يتلائم قابس وصل العدة الكهربائية مع المقبس. لا يجوز تغيير القابس بأي حال من الأحوال. لا تستعمل القوابس المهايئة مع العدد الكهربائية المؤرضة تأريض وقائي. تخفّض القوابس التي لم يتمّ تغييرها والمقابس الملائمة من خطر الصدمات الكهربائية.
- ◀ تجنب ملامسة السطوح المؤرضة كألنايب ورادياتورات التدفئة والمدافئ أو البرادات بواسطة جسمك. يزداد خطر الصدمات الكهربائية عندما يكون جسمك مؤرض.
- ◀ أبعده العدة الكهربائية عن الأمطار أو الرطوبة. يزداد خطر الصدمات الكهربائية إن تسرب الماء إلى داخل العدة الكهربائية.
- ◀ لا تسيء استعمال الكابل لحمل العدة الكهربائية أو تعليقها أو لسحب القابس من المقبس. حافظ على إبعاد الكابل عن الحرارة والزيت والحواف الحادة أو عن أجزاء الجهاز المتحركة. تزيد الكابلات التالفة أو المتشبكة من خطر الصدمات الكهربائية.

باتری ها:

لیتیوم-یونی (Li-Ion):

لطفاً به تذکرات مبحث "حمل دستگاه"، صفحه 133 توجه کنید.



◀ باتری های شارژی داخلی را فقط باید جهت دفع کردن بیرون آورد. از طریق باز کردن درب بدنه ممکن است ابزار برقی خراب شود.

جهت درآوردن باتری از ابزار برقی کلید قطع و وصل 4 را آنقدر فشار دهید تا باتری کاملاً خالی شود. پیچهای روی بدنه را درآورید و درب بدنه را جدا کنید تا باتری جدا شود. جهت جلوگیری از اتصال کوتاه، اتصالات باتری را به صورت تکی جدا کنید و سپس کنتاکتهای قطبها را عایق نمایید. حتی در صورت خالی بودن کامل باتری مقداری شارژ در باتری وجود دارد که ممکن است در صورت اتصال کوتاه آزاد گردد.

حق هرگونه تغییری محفوظ است.

◀ ابزار الکتریکی و شیارهای تهویه آنرا تمیز نگاه دارید، تا ایمنی شما در کار تضمین گردد.

در صورتیکه باتری دیگر قابل استفاده نباشد، لطفاً به نمایندگی مجاز و خدمات پس از فروش ابزار آلات برقی بوش مراجعه نمایید.

در صورت نیاز به یک کابل یدکی برای اتصال به شبکه برق، بایستی به شرکت بوش و یا به نمایندگی مجاز بوش (خدمات پس از فروش) برای ابزار آلات برقی بوش مراجعه کنید تا از بروز خطرات ایمنی جلوگیری بعمل آید.

خدمات پس از فروش و مشاوره با مشتریان

دفتر خدمات پس از فروش به سئوالات شما در باره تعمیرات، سرویس و همچنین قطعات یدکی و متعلقات پاسخ خواهد داد. تصاویر و اطلاعات در باره قطعات یدکی و متعلقات را میتوانید در سایت نامبرده زیر جستجو نمایید:


www.bosch-pt.com

تیم مشاور خدمات پس از فروش شرکت بوش با کمال میل به سئوالات شما در باره خرید، طرز استفاده و تنظیم محصولات و متعلقات پاسخ میدهد. برای هرگونه سؤال و یا سفارش ابزار یدکی و متعلقات، حتماً شماره فنی ده رقمی کالا را مطابق برجسب روی ابزار برقی اطلاع دهید. برای استفاده از گارانتی، تعمیر دستگاه و تهیه ابزار یدکی فقط به افراد متخصص مراجعه کنید.

حمل دستگاه

باتریهای لیتیوم-یونی تابع مقررات حمل کالاهای پرخطر می باشند. کاربر می تواند باتریها را بدون استفاده از روکش در خیابان حمل کند. در صورت ارسال توسط شخص ثالث (مانند: حمل و نقل هوایی یا زمینی) باید تمهیدات مربوط به بسته بندی و علامتگذاری مورد توجه قرار گیرد. در اینصورت باید حتماً جهت آماده سازی قطعه ارسالی به کارشناس حمل کالاهای پرخطر مراجعه کرد.

از رده خارج کردن دستگاه

ابزارهای برقی، باتری ها، متعلقات و بسته بندی ها، باید طبق مقررات  حفظ محیط زیست از رده خارج و بازیافت شوند.

ابزار برقی و باتری ها/باتری های قابل شارژ را داخل زباله دان خانگی نیندازید!

هنگام بستن پیچ، کلید قطع و وصل 4 را هنگامی رها کنید که پیچ بطور کامل در قطعه کار پیچ شده و سر پیچ بطور همسطح بر روی قطعه کار قرار گرفته باشد. به این ترتیب سر پیچ (گل پیچ) در داخل قطعه کار فرو نمی رود.

LED	ظرفیت
چراغ نشانگر LED بطور مداوم روشن و 3 چراغ سبز رنگ	$\geq 2/3$
چراغ نشانگر LED بطور مداوم روشن و 2 چراغ سبز رنگ	$\geq 1/3$
چراغ نشانگر LED بطور مداوم روشن و 1 چراغ سبز رنگ	$< 1/3$
چراغ نشانگر LED بطور چشمک زن روشن و 1 چراغ سبز رنگ	احتیاطی

کلاج ایمنی وابسته به دما

در صورت استفاده ی اصولی فشاری به ابزار برقی وارد نمی شود. در صورت فشار زیاد یا تجاوز از دمای مجاز باتری، الکترونیک ابزار خاموش می شود تا دما دوباره به محدوده کاری برسد.

راهنمائی های عملی

◀ **دستگاه را فقط در حالت خاموش بودن روی پیچ قرار دهید.** امکان لغزش و سر خوردن ابزار در حال چرخش وجود دارد.

پس از مدتی کار تحت سرعت کم، بایستی ابزار برقی را برای خنک شدن به مدت تقریباً 3 دقیقه با حداکثر سرعت در حالت آزاد بکار اندازید.

برای مته کاری در فلزات فقط از مته های سالم و تیز از جنس HSS، (فولاد قوی سریع = HSS) استفاده کنید. لیست ابزار و متعلقات شرکت بوش تضمین کننده بهترین کیفیت ابزار میباشد.

پیش از پیچ کردن پیچ های بزرگ و بلند داخل قطعات سخت، باید نخست یک سوراخ به قطر مغزی رزوه پیچ و به اندازه $\sqrt{2}$ طول پیچ داخل قطعه کار ایجاد کنید.

مراقبت و سرویس

مراقبت، تعمیر و تمیز کردن دستگاه

◀ **پیش از انجام هر گونه کاری با ابزار برقی (از جمله سرویس، تعویض ابزار و متعلقات و غیره) و همچنین به هنگام حمل و نگهداری آن، کلید تغییر جهت چرخش را در حالت میانه قرار دهید.** در صورت بکار انداختن ناخواسته کلید قطع و وصل، خطر آسیب دیدن وجود دارد.

طرز کار با دستگاه

راه اندازی و نحوه کاربرد دستگاه

تنظیم جهت چرخش (رجوع شود به تصویر C)

با کمک کلید تغییر جهت چرخش 2 میتوانید جهت چرخش ابزار برقی را تغییر دهید. این عمل در حالتی که کلید قطع و وصل 4 فشرده باشد، امکان پذیر نیست.

چرخش راست گرد: برای سوراخکاری و برای بستن پیچ، کلید تغییر جهت چرخش 2 را تا نقطه ایست به سمت چپ فشار دهید.

چرخش چپ گرد: برای باز کردن و بیرون آوردن پیچ ها و مهره ها، کلید تغییر جهت چرخش 2 را تا نقطه ایست به سمت راست فشار دهید.

نحوه روشن و خاموش کردن

برای روشن کردن ابزار برقی، کلید قطع و وصل 4 را فشار داده و آنرا در حالت فشرده نگاهدارید.

لامپ 6 به هنگام فشار آهسته بر روی کلید قطع و وصل 4 و یا فعال کردن کامل آن، روشن می شود که امکان روشنائی محل کار را در صورت عدم نور کافی فراهم می سازد.

برای خاموش کردن ابزار برقی، کلید قطع و وصل 4 را رها کنید.

جهت صرفه جویی در انرژی، ابزار برقی را فقط وقتی روشن کنید که می خواهید از آن استفاده کنید.

تنظیم سرعت (دور موتور)

شما می توانید سرعت ابزار برقی را در حالت روشن بودن آن، بدون درجه بندی و بطور دلخواه تنظیم کنید. این امر بر حسب اینکه شما تا چه حد کلید قطع و وصل 4 را فشار دهید، قابل تنظیم است.

فشار کم بر روی کلید قطع و وصل 4، میزان سرعت را کاهش میدهد. افزایش فشار بر روی کلید قطع و وصل باعث افزایش سرعت میشود.

قفل کننده کاملاً اتوماتیک محور (قفل کن اتوماتیک = Auto-Lock)

در صورت آزاد بودن کلید قطع و وصل 4، محور (شفث) مته و همچنین ابزار گیر قفل می باشند.

این امر امکان پیچ کردن حتی در حالت خالی بودن باتری و همچنین استفاده از دستگاه بعنوان پیچگوشتی را فراهم میسازد.

ترمز متوقف کننده تدریجی

در صورت رها کردن کلید قطع و وصل 4، سه نظام متوقف می شود و از این طریق از ادامه یافتن کار و حرکت ابزار جلوگیری بعمل می آید.

تعویض ابزار (رجوع شود به تصویر B)

◀ پیش از انجام هر گونه کاری با ابزار برقی (از جمله سرویس، تعویض ابزار و متعلقات و غیره) و همچنین به هنگام حمل و نگهداری آن، کلید تغییر جهت چرخش را در حالت میانه قرار دهید. در صورت بکار انداختن ناخواسته کلید قطع و وصل، خطر آسیب دیدن وجود دارد.

در صورت آزاد بودن (فشرده نبودن) کلید قطع و وصل 4، محور (شفت) دستگاه قفل میشود. این امر باعث تعویض آسان و سریع ابزار و متعلقات سه نظام میشود.

سه نظام اتوماتیک 1 را بوسیله چرخاندن در جهت چرخش ❶ باز کنید تا بتوان ابزار را داخل ابزار گیر قرار داد. ابزار را جاگذاری کنید.

بوش سه نظام مهار سریع 1 را در جهت ❷ با دست محکم بچرخانید تا یک صدای کلیک به گوش برسد. اینگونه سه نظام به طور اتوماتیک قفل می شود.

قفل هنگامی باز میشود، که بخواهید برای برداشتن ابزار، سه نظام را در جهت مخالف بچرخانید.

مکش گرد، براده و تراشه

◀ گرد و غبار موادی مانند رنگ های دارای سرب، بعضی از چوب ها، مواد معدنی و فلزات میتوانند برای سلامتی مضر باشند. دست زدن و یا تنفس کردن گرد و غبار ممکن است باعث بروز آلرژی و یا بیماری مجاری تنفسی شخص استفاده کننده و یا افرادی که در آن نزدیکی میباشند، بشود. گرد و غبارهای مخصوصی مانند گرد و غبار درخت بلوط و یا درخت راش سرطان زا هستند. بخصوص ترکیب آنها با سایر موادی که برای کار بر روی چوب (کرومات، مواد برای محافظت از چوب) بکار برده میشوند. فقط افراد متخصص مجازند با موادی که دارای آزرست میباشند کار کنند.

- توجه داشته باشید که محل کار شما از تهویه هوای کافی برخوردار باشد.

- توصیه میشود از ماسک تنفسی ایمنی با درجه فیلتر P2 استفاده کنید.

به قوانین و مقررات معتبر در کشور خود در رابطه با استفاده از مواد و قطعات کاری توجه کنید.

◀ از تجمع گرد و غبار در محل کار خود جلوگیری بعمل آورید. گرد و غبار می تواند به آسانی مشتعل شوند.

نصب

◀ **پیش از انجام هر گونه کاری با ابزار برقی (از جمله سرویس، تعویض ابزار و متعلقات و غیره) و همچنین به هنگام حمل و نگهداری آن، کلید تغییر جهت چرخش را در حالت میانه قرار دهید.** در صورت بکار انداختن ناخواسته کلید قطع و وصل، خطر آسیب دیدن وجود دارد.

نحوه شارژ کردن باتری (رجوع شود به تصویر A)

◀ **از دستگاه شارژ متفرقه استفاده نکنید.** دستگاه شارژی که ارسال میشود برای باتری های لیتیوم - یونی (Li-Ion) که در داخل ابزار برقی شما قرار دارند، مناسب است.

◀ **به ولتاژ شبکه توجه کنید** و ولتاژ منبع جریان برق باید مقادیر مندرج در مشخصات و ارقام فنی دستگاه شارژ شما مطابقت داشته باشد. دستگاههای شارژی را که برای کاربرد تحت ولتاژ 230 V ولت مشخص شده اند، می توان تحت ولتاژ 220 V ولت نیز بکار برد.

توجه: باتری دستگاه با شارژ اولیه ارسال میشود. برای دست یافتن به توان کامل باتری، قبل از بکار گیری آن برای اولین بار باید شارژ باتری بطور کامل در دستگاه شارژ تکمیل شود.

باتری های لیتیوم-یونی (Li-Ion) را میتوان همه وقت شارژ نمود، بدون اینکه از طول عمر آن کاسته شود. قطع کردن جریان شارژ آسیبی به باتری نمیرساند. باتری های لیتیوم-یونی (Li-Ion) دارای "سیستم حفاظت الکترونیک (ECP)" بوده و در برابر خالی شدن کامل حفظ میشوند. اگر باتری خالی شود، ابزار برقی از طریق کلید حفاظتی بطور اتوماتیک خاموش میشود و دستگاه دیگر حرکت نمیکند.

◀ **پس از خاموش شدن اتوماتیک ابزار برقی، از فشار دادن مجدد کلید قطع و وصل خودداری کنید.** این میتواند باعث آسیب دیدن باتری شود.

فرآیند شارژ شروع می شود به محض اینکه دوشاخه ی شارژر در پریز و دوشاخه ی شارژر 8 در جافیش 3 روی طرف زیرین دسته قرار داشته باشد. نشانگر شارژ باتری 5 مقدار و حالت شارژ آن را نشان می دهد. در هنگام شارژ، نشانگر به رنگ سبز چشمک می زند. اگر نشانگر به صورت ثابت 5 سبز شد، باتری به طور کامل شارژ شده است.

به هنگام شارژ شدن، دسته ابزار برقی کمی گرم میشود. این امر طبیعی است. در صورت عدم استفاده دستگاه شارژ برای مدت طولانی، اتصال آنرا با منبع جریان برق قطع کنید.

ابزار برقی را نمی توان هنگام فرآیند شارژ بکار برد؛ چنانچه ابزار هنگام شارژ کار نکرد، آنرا خراب تلقی نکنید.

به نکات مربوط به نحوه از رده خارج کردن باتری توجه کنید.

7 دستگاه شارژ باتری


8 اتصال دهنده دستگاه شارژ

9 دسته (با روکش عایق دار)

* کلیه متعلقاتی که در تصویر و یا در متن آمده است، بطور معمول همراه دستگاه ارائه نمی شود. لطفاً لیست کامل متعلقات را از فهرست برنامه متعلقات اقتباس نمایند.

مشخصات فنی

LiKo		پیچگوشتی شارژی
3 601 JF4 0..		شماره فنی
10,8	V=	ولتاژ نامی
0 - 700	min ⁻¹	سرعت در حالت آزاد
6/15	Nm	حداکثر گشتاور برای پیچ کاری سخت/نرم طبق نورم ISO 5393
6	mm	حداکثر قطر پیچ Ø
0,90	kg	وزن مطابق استاندارد EPTA-Procedure 01:2014
0... +45	°C	دمای مجاز محیط - هنگام شارژ
-20... +50	°C	- هنگام عملکرد* و هنگام نگهداری
لیتیوم - یونی (Li-Ion)		باتری
1,5	Ah	ظرفیت
3		تعداد (cell) باتری
		دستگاه شارژ
1 600 A00 8..		شماره فنی
1 600 A00 9..		
1	h	زمان لازم برای شارژ
15	V _{max}	ولتاژ شارژ باتری
1,5	A	جریان (برق) شارژ
 / II		کلاس ایمنی
* توان محدود برای دمای < 0°C		

- دستگاه شارژ باتری را در برابر باران و رطوبت محفوظ بدارید. نفوذ آب به داخل دستگاه شارژ، خطر برق گرفتگی را افزایش میدهد. 
- ابزار برقی را تنها با دستگاه شارژ ارسالی شارژ کنید. ◀
- دستگاه شارژ را تمیز نگاه دارید. در اثر آلودگی خطر برق گرفتگی وجود دارد. ◀
- پیش از هر بار استفاده دستگاه شارژ، کابل و دوشاخه اتصال آنرا کنترل کنید. در صورت مشاهده هر گونه آسیب دیدگی، از دستگاه شارژ استفاده نکنید. هرگز دستگاه شارژ را خودتان باز نکنید و تعمیر آنرا منحصراً به متخصصین حرفه ای تحت استفاده از لوازم و قطعات یدکی اصل محول ننمایید. دستگاه شارژ، کابل و دوشاخه اتصال آن که دچار اختلال و آسیب دیدگی باشند، موجب افزایش خطر برق گرفتگی میشوند. ◀
- دستگاه شارژ را بر روی موادی که به سهولت قابل احتراق باشد (از جمله کاغذ، پارچه و غیره) قرار ندهید و همچنین از آن در اماکن قابل احتراق استفاده نکنید. به دلیل گرمایی که در حین فرآیند شارژ تولید میشود، خطر آتشسوزی وجود دارد. ◀

تشریح دستگاه و عملکرد آن

کلیه دستورات ایمنی و راهنمایی ها را مطالعه کنید. اشتباهات ناشی از عدم رعایت این دستورات ایمنی ممکن است باعث برق گرفتگی، سوختگی و یا سایر جراحات های شدید شود.



موارد استفاده از دستگاه

این ابزار برقی برای باز کردن و بستن پیچ ها ساخته شده است. نور ابزار برقی جهت روشنی مستقیم محیط کار ابزار برقی تعبیه شده است و برای روشنی اتاق در خانه مناسب نیست.

اجزاء دستگاه

شماره های اجزاء دستگاه که در تصویر مشاهده میشود، مربوط به شرح ابزار برقی می باشد که تصویر آن در این دفترچه آمده است.

- 1 سه نظام اتوماتیک
- 2 کلید تغییر جهت چرخش
- 3 سوکت (پرزی) برای اتصال شارژر
- 4 کلید قطع و وصل
- 5 چراغ نشانگر کنترل میزان شارژ باتری
- 6 لامپ (پاورلایت)

◀ در صورتیکه باتری آسیب دیده باشد و یا از آن بطور بی رویه استفاده شود، ممکن است از باتری بخارهایی متصاعد گردد. در این حالت هوای محیط را تازه کنید؛ اگر احساس ناراحتی کردید، به پزشک مراجعه نمایید. استنشاق این بخارها ممکن است به مجاری تنفسی شما آسیب برساند.

دستورات ایمنی برای دستگاههای شارژ

◀ دستگاه شارژ برای کودکان و سایر افراد دارای کاستیهای روحی و جسمی یا بدون تجربه یا آشنایی در نظر گرفته نشده است. کودکان بالای 8 سال و سایر افراد دارای کاستیهای روحی و جسمی یا بدون تجربه یا آشنایی که نمی توانند این دستگاه شارژ را با اطمینان بکار برند، می توانند از دستگاه شارژ با نظارت یا توجیه روش کاربری و خطرات ممکن بوسیله یک فرد مسؤول استفاده کنند. در غیر اینصورت خطر کاربرد اشتباه و جراحت وجود دارد.

◀ هنگام استفاده، تمیز کاری و سرویس مواظب کودکان باشید. اینگونه اطمینان حاصل می کنید که کودکان با دستگاه شارژ بازی نمی کنند.

◀ تنها باتریهای لیتیوم-یونی از ظرفیت 1,5 Ah (تصویر 3 باتریهای ساعتی) را شارژ کنید. ولتاژ باتری بایستی با ولتاژ دستگاه شارژ مطابق باشد. باتریهای قلمی قابل شارژ را شارژ نکنید. در غیر اینصورت خطر آتش سوزی یا انفجار وجود دارد.

- ◀ در ابزار آلات الکتریکی، فقط از باتری هایی استفاده کنید که برای آن نوع ابزار برقی در نظر گرفته شده اند. استفاده از باتری های متفرقه میتواند منجر به جراحات و حریق گردد.
- ◀ در صورت عدم استفاده از باتری باید آنرا از گیره های فلزی، سکه، کلید، میخ، پیچ و دیگر وسایل کوچک فلزی دور نگه دارید، زیرا این وسایل ممکن است باعث ایجاد اتصالی شوند. ایجاد اتصالی بین دو قطب باتری (ترمینالهای باتری) میتواند باعث سوختگی و ایجاد حریق شود.
- ◀ استفاده بی رویه از باتری میتواند باعث خروج مایعات از آن شود. از هر گونه تماس با این مایعات خودداری کنید. در صورت تماس اتفاقی با آن، دست خود و یا محل تماس را با آب بشوئید. در صورت آلوده شدن چشم با این مایع، باید به پزشک مراجعه کنید. مایع خارج شده از باتری میتواند باعث التهاب پوست و سوختگی شود.

سرویس

- ◀ برای تعمیر ابزار الکتریکی فقط به متخصصین حرفه ای رجوع کرده و از وسایل یدکی اصل استفاده کنید. این باعث خواهد شد که ایمنی دستگاه شما تضمین گردد.

هشدارهای ایمنی برای پیچگوشتی ها

- ◀ چنانچه بسته به نوع کار خود، امکان تماس پیچ یا قطعات اتصال دهنده با کابل های برق (داخل ساختمان) که قابل رؤیت نیستند وجود داشته باشد، بایستی ابزار برقی را از محل دسته و سطوح عایق دار آن در دست بگیرید. تماس پیچ یا قطعات اتصال دهنده با سیم و کابلی که هادی جریان برق است، می تواند جریان برق را به بخش های فلزی ابزار برقی نیز انتقال دهد و باعث برق گرفتگی شود.
- ◀ ابزار الکتریکی را خوب محکم نگهدارید. به هنگام بستن و یا باز کردن پیچ، امکان عکس العمل شدید گشتاور برای مدت کوتاهی وجود دارد.
- ◀ قبل از کنار گذاشتن ابزار برقی صبر کنید تا دستگاه بطور کامل از کار و حرکت بایستد. ابزار و ملحقات دستگاه ممکن است به قطعه کار گیر کرده و کنترل ابزار برقی از دست شما خارج شود.
- ◀ پیش از انجام هر گونه کاری با ابزار برقی (از جمله سرویس، تعویض ابزار و متعلقات و غیره) و همچنین به هنگام حمل و نگهداری آن، کلید تغییر جهت چرخش را در حالت میانه قرار دهید. در صورت بکار انداختن ناخواسته کلید قطع و وصل، خطر آسیب دیدن وجود دارد.
- ◀ ابزار برقی را در برابر گرما، رطوبت، آتش، آب و نیز تابش مداوم نور خورشید محفوظ بدارید. خطر انفجار وجود دارد.



◀ در صورتیکه میتوانید وسایل مکش گرد و غبار و یا وسیله جمع کننده گرد و غبار را به دستگاه نصب کنید، باید مطمئن شوید که این وسایل درست نصب و استفاده می شوند. استفاده از وسایل مکش گرد و غبار مصونیت شما را در برابر گرد و غبار زیاد تر میکند.

استفاده صحیح از ابزار الکتریکی و مراقبت از آن

◀ از وارد کردن فشار زیاد روی دستگاه خودداری کنید. برای هر کاری، از ابزار الکتریکی مناسب با آن استفاده کنید. بکار گرفتن ابزار الکتریکی مناسب باعث میشود که بتوانید از توان دستگاه بهتر و با اطمینان بیشتر استفاده کنید.

◀ در صورت ایراد در کلید قطع و وصل ابزار برقی، از دستگاه استفاده نکنید. ابزار الکتریکی که نمی توان آنها را قطع و وصل کرد، خطرناک بوده و باید تعمیر شوند.

◀ قبل از تنظیم ابزار الکتریکی، تعویض متعلقات و یا کنار گذاشتن آن، دو شاخه را از برق کشیده و یا باتری آنرا خارج کنید. رعایت این اقدامات پیشگیری ایمنی از راه افتادن ناخواسته ابزار الکتریکی جلوگیری می کند.

◀ ابزار الکتریکی را در صورت عدم استفاده، از دسترس کودکان دور نگهدارید. اجازه ندهید که افراد ناوارد و یا اشخاصی که این دفترچه راهنما را نخوانده اند، با این دستگاه کار کنند. قرار گرفتن ابزار الکتریکی در دست افراد ناوارد و بی تجربه خطرناک است.

◀ از ابزار الکتریکی خوب مراقبت کنید. مواظب باشید که قسمت های متحرک دستگاه خوب کار کرده و گیر نکند. همچنین دقت کنید که قطعات ابزار الکتریکی شکسته و یا آسیب دیده نباشند. قطعات آسیب دیده را قبل از شروع به کار تعمیر کنید. علت بسیاری از سوانح کاری، عدم مراقبت کامل از ابزارهای الکتریکی می باشد.

◀ ابزار برش را تیز و تمیز نگهدارید. ابزار برشی که خوب مراقبت شده و از لبه های تیز برخوردارند، کمتر در قطعه کار گیر کرده و بهتر قابل هدایت می باشند.

◀ ابزارهای الکتریکی، متعلقات، ابزاری که روی دستگاه نصب می شوند و غیره را مطابق دستورات این جزوه راهنما طوری به کار گیرید که با مدل این دستگاه تناسب داشته باشند. همچنین به شرایط کاری و نوع کار توجه کنید. کاربرد ابزار برقی برای موارد کاری که برای آن در نظر گرفته نشده است، میتواند شرایط خطرناکی را منجر شود.

مراقبت و طرز استفاده از ابزارهای شارژی

◀ باتری ها را منحصراً در دستگاههایی شارژ کنید که توسط سازنده توصیه شده باشند. در صورتیکه برای شارژ باتری، آنرا در شارژری قرار دهید که برای آن باتری ساخته نشده است، خطر آتشفشوزی وجود دارد.

حرارت، روغن، لبه های تیز و بخش های متحرک دستگاه دور نگهدارید. کابل های آسیب دیده و یا گره خورده خطر شوک الکتریکی را افزایش میدهند.

- ◀ در صورتیکه با ابزار الکتریکی در محیط باز کار میکنید، تنها از کابل رابطی استفاده کنید که برای محیط باز نیز مناسب باشد. کابل های رابط مناسب برای محیط باز، خطر برق گرفتگی را کم می کنند.
- ◀ در صورت لزوم کار با ابزار برقی در محیط و اماکن مرطوب، باید از یک کلید حفاظتی جریان خطا و نشستی زمین (کلید قطع کننده اتصال با زمین) استفاده کنید. استفاده از کلید حفاظتی جریان خطا و نشستی زمین خطر برق گرفتگی را کاهش می دهد.

رعایت ایمنی اشخاص

- ◀ حواس خود را خوب جمع کنید، به کار خود دقت کنید و با فکر و هوش کامل با ابزار الکتریکی کار کنید. در صورت خستگی و یا در صورتیکه مواد مخدر، الکل و دارو استفاده کرده اید، با ابزار الکتریکی کار نکنید. یک لحظه بی توجهی هنگام کار با ابزار الکتریکی، میتواند جراحت های شدیدی به همراه داشته باشد.
- ◀ از تجهیزات ایمنی شخصی و از عینک ایمنی همواره استفاده کنید. استفاده از تجهیزات ایمنی مانند ماسک ایمنی، کفش های ایمنی ضد لغزش، کلاه ایمنی و گوشی ایمنی متناسب با نوع کار با ابزار الکتریکی، خطر مجروح شدن را کاهش میدهد.
- ◀ مواظب باشید که ابزار الکتریکی بطور ناخواسته بکار نیفتد. قبل از وارد کردن دوشاخه دستگاه در پریز برق، اتصال آن به باطری، برداشتن آن و یا حمل دستگاه، باید دقت کنید که ابزار الکتریکی خاموش باشد. در صورتیکه هنگام حمل دستگاه انگشت شما روی دکمه قطع و وصل باشد و یا دستگاه را در حالت روشن به برق بزنید، ممکن است سوانع کاری پیش آید.
- ◀ قبل از روشن کردن ابزار الکتریکی، باید همه ابزارهای تنظیم کننده و آچارها را از روی دستگاه بردارید. ابزار و آچارهایی که روی بخش های چرخنده دستگاه قرار دارند، میتوانند باعث ایجاد جراحت شوند.
- ◀ وضعیت بدن شما باید در حالت عادی قرار داشته باشد. برای کار جای مطمئنی برای خود انتخاب کرده و تعادل خود را همواره حفظ کنید. به این ترتیب می توانید ابزار الکتریکی را در وضعیت های غیر منتظره بهتر تحت کنترل داشته باشید.
- ◀ لباس مناسب بپوشید. از پوشیدن لباس های گشاد و حمل زینت آلات خودداری کنید. موها، لباس و دستکش ها را از بخش های در حال چرخش دستگاه دور نگهدارید. لباس های گشاد، موی بلند و زینت آلات ممکن است در قسمت های در حال چرخش دستگاه گیر کنند.

فارسی

راهنمائی های ایمنی

راهنمائی های ایمنی عمومی برای ابزارهای الکتریکی

⚠ هشدار همه دستورات ایمنی و راهنمائی ها را بخوانید. اشتباهات ناشی از عدم رعایت این دستورات ایمنی ممکن است باعث برق گرفتگی، سوختگی و یا سایر جراحت های شدید شود.

همه هشدار های ایمنی و راهنمائی ها را برای آینده خوب نگهداری کنید. هر جا در این راهنما از "ابزار الکتریکی" صحبت میشود، منظور ابزارهای الکتریکی (با سیم برق) و یا ابزارهای الکتریکی باتری دار (بدون سیم برق) می باشد.

ایمنی محل کار

- ◀ محل کار خود را تمیز، مرتب و مجهز به نور کافی نگهدارید. محیط کار نامرتب و کم نور میتواند باعث سوانح کاری شود.
- ◀ با ابزار الکتریکی در محیط هایی که در آن خطر انفجار وجود داشته و حاوی مایعات، گازها و بخارهای محترقه باشد، کار نکنید. ابزار های الکتریکی جرقه هایی ایجاد می کنند که می توانند باعث آتش گرفتن گرد و غبارهای موجود در هوا شوند.
- ◀ هنگام کار با ابزار الکتریکی، کودکان و سایر افراد را از دستگاه دور نگهدارید. در صورتیکه حواس شما پرت شود، ممکن است کنترل دستگاه از دست شما خارج شود.

ایمنی الکتریکی

- ◀ دوشاخه ابزار الکتریکی باید با پریز برق تناسب داشته باشد. هیچگونه تغییری در دوشاخه ندهید. مبدل دوشاخه نباید همراه با ابزار الکتریکی دارای اتصال به زمین استفاده شود. دوشاخه های اصل و تغییر داده نشده و پریزهای مناسب، خطر شوک الکتریکی و برق گرفتگی را کم می کنند.
- ◀ از تماس بدنی با قطعات متصل به سیم اتصال به زمین مانند لوله، شوفاژ، اجاق برقی و یخچال خودداری کنید. در صورت تماس بدنی با سطوح و قطعات دارای اتصال به زمین و همچنین تماس شما با زمین، خطر برق گرفتگی افزایش می یابد.
- ◀ دستگاه را از باران و رطوبت دور نگهدارید. نفوذ آب به ابزار الکتریکی، خطر شوک الکتریکی را افزایش میدهد.
- ◀ از سیم دستگاه برای کارهایی چون حمل ابزار الکتریکی، آویزان کردن آن و یا خارج کردن دوشاخه از برق استفاده نکنید. کابل دستگاه را در مقابل